

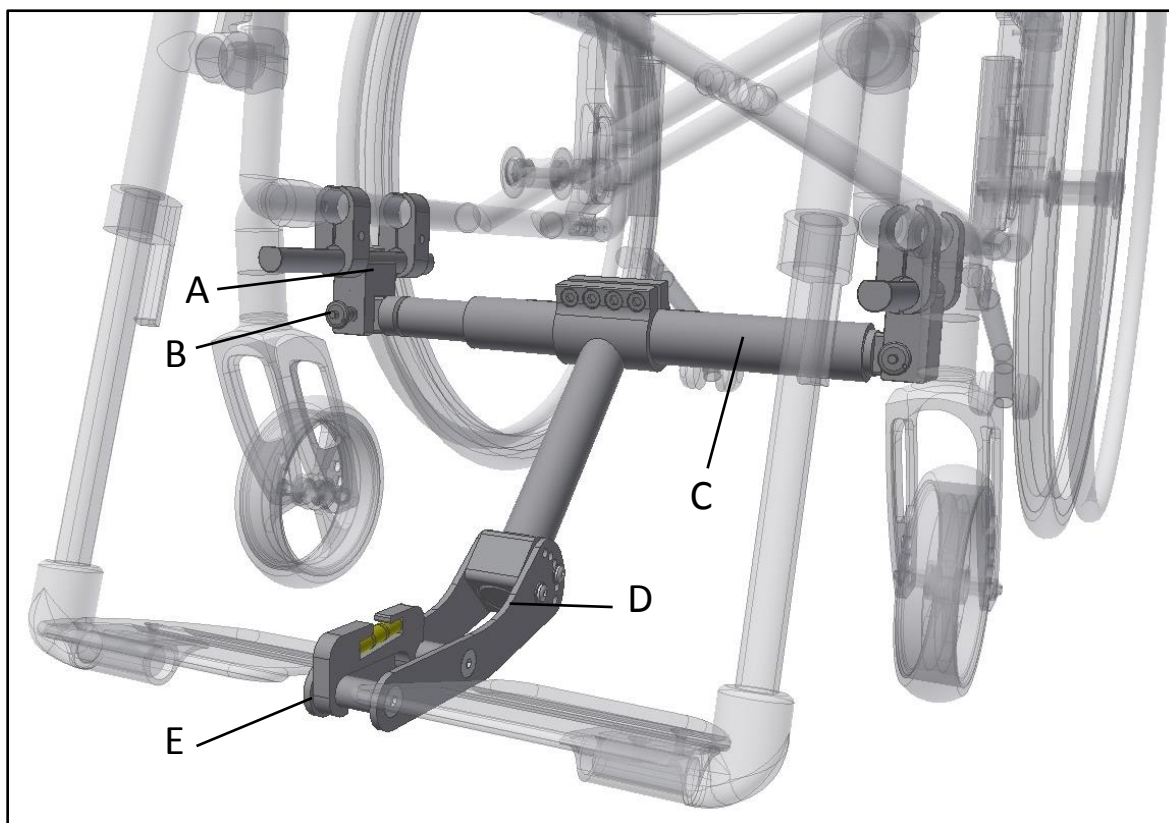
Adventus Folding wheelchair adaptor

Assembly Instructions



1. Overview

Picture1



A Holder adapter bar

B QR-pin

C Adapter bar

D Fork adapter bar

E Adjustment tool

2. Mounting of adapter bar

First mount the holder (A). The shape of the holder can vary depending on wheelchair model. Mount the holders so that they still can be moved along the wheelchair chassis. Now mount the adapter bar (C) into the holders (A) by using the QR-Pins (B).

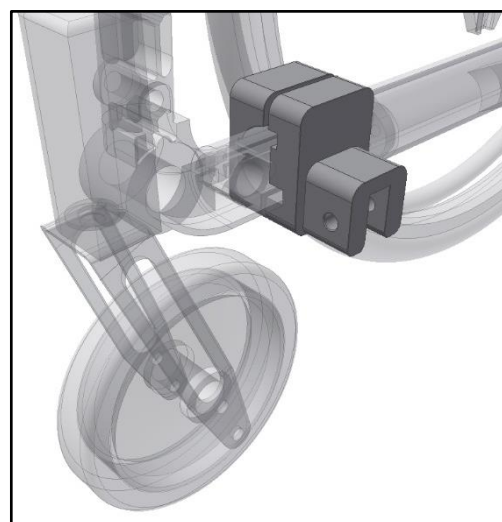
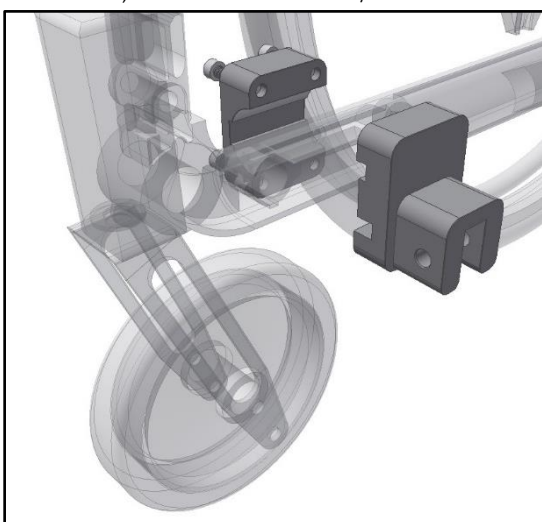
Make sure the ends of the adapter bar (C) are parallel otherwise it can be hard to assemble it into the holders (A).

Now tighten the screws in the holders (A) so that it grips the wheelchair chassis.

Picture2&3, Universal holder for wheelchairs with round tubing



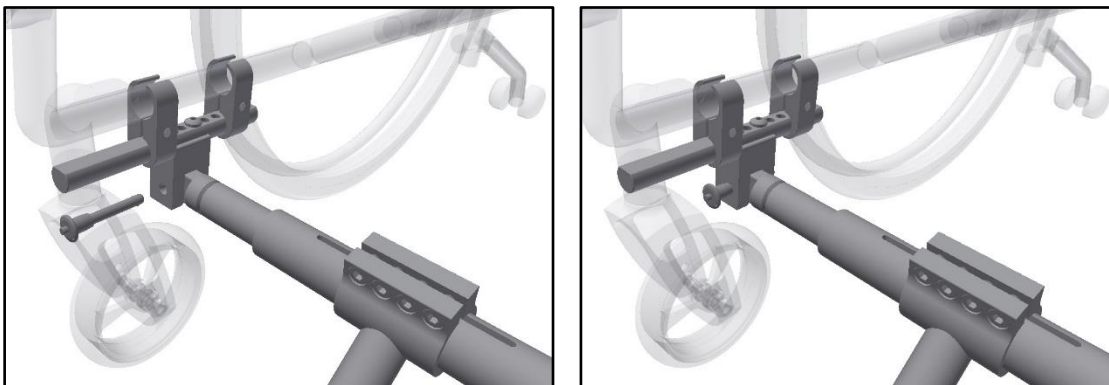
Picture4&5, Holder for Etac Cross/Cross5



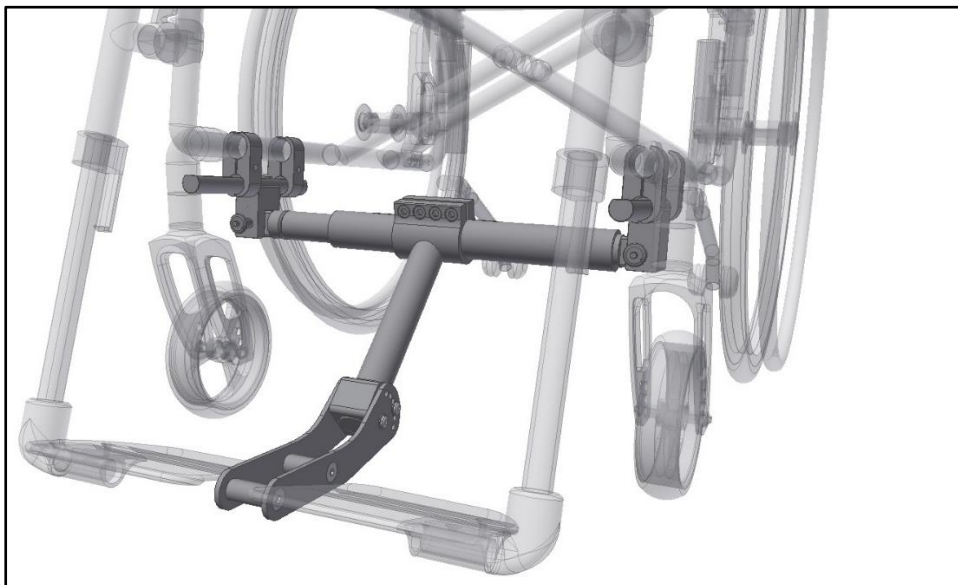
Picture6, Holder mounted on both sides



Picture7, Mount the adapter bar into the holders using the QR-pins



Picture8, Mounted adapter bar

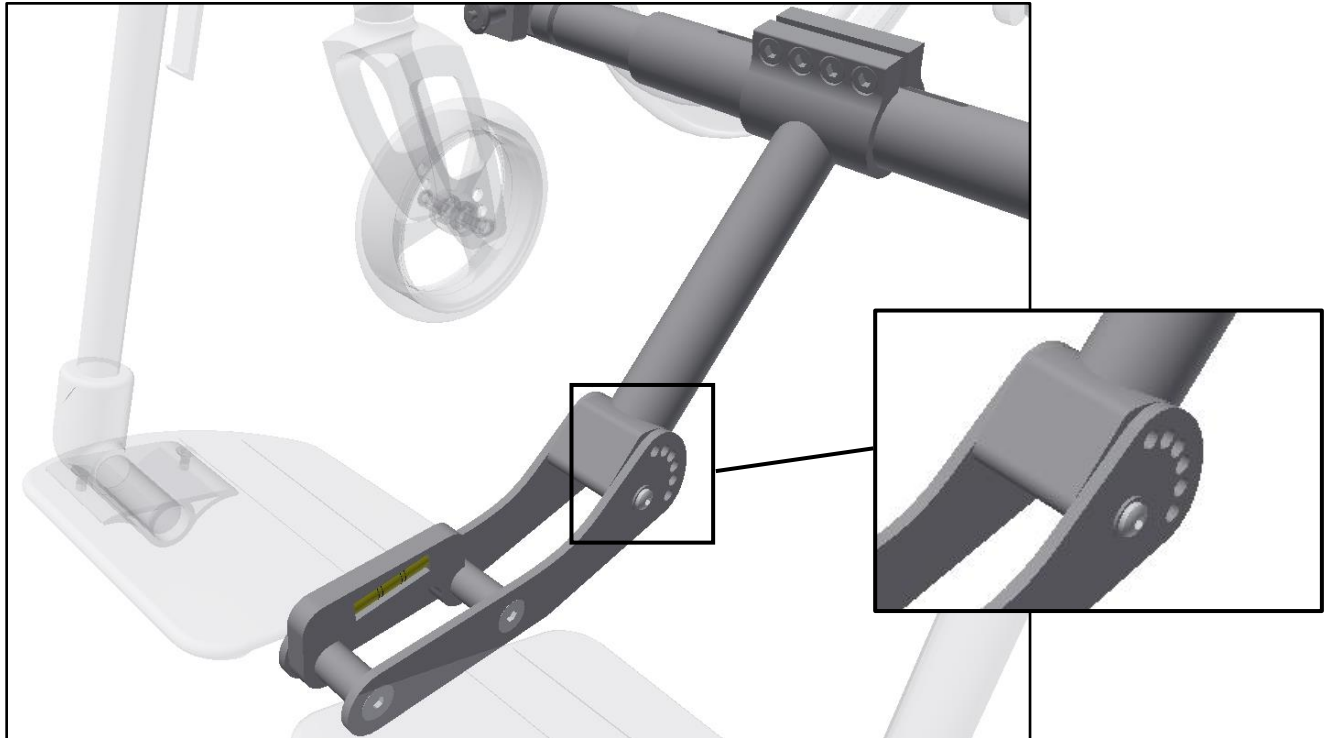


3. Adjustment of adapter bar

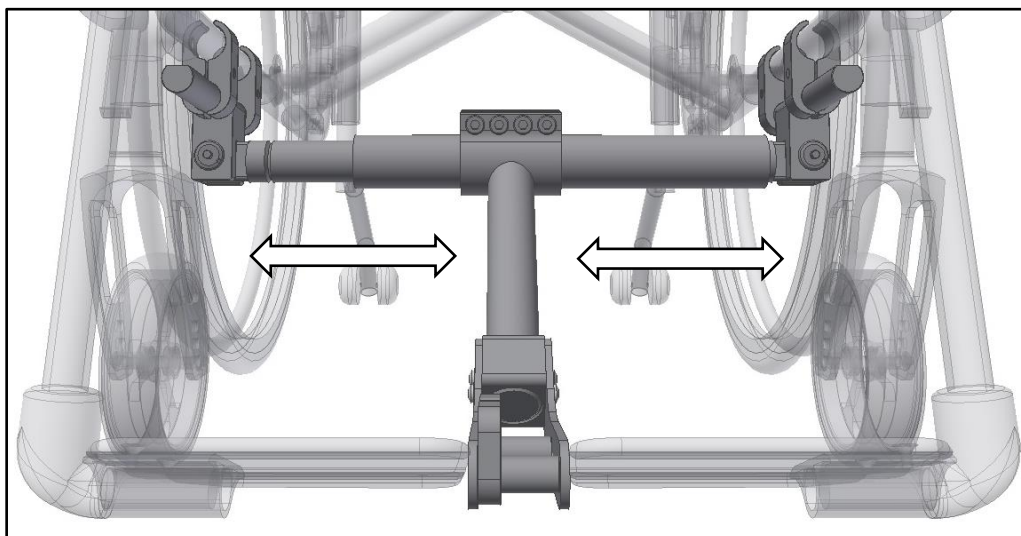
Step 3.1

Mount the adjustment toll onto the fork (D). Remove the screws in the fork that locks the rotation (see picture bellow). Also make sure that the fork sits in the center of the wheelchair.

Picture9, Universal holder for wheelchair with round tubing chassis



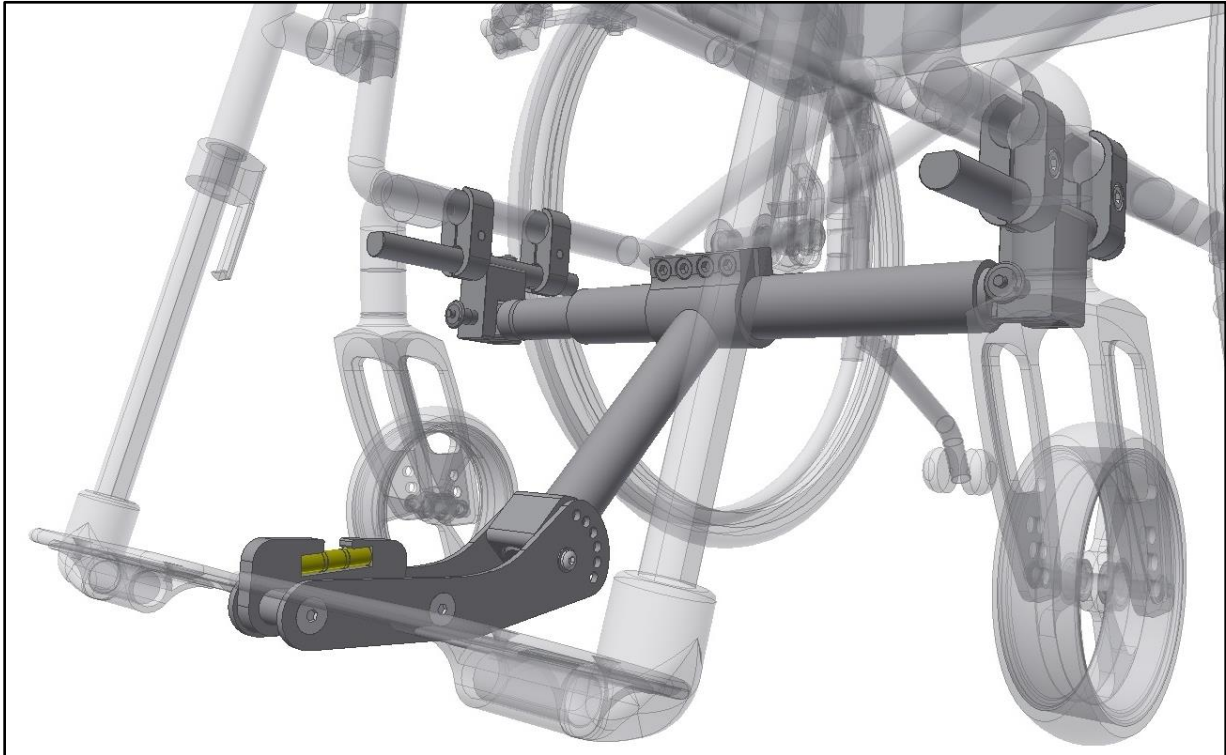
Picture10



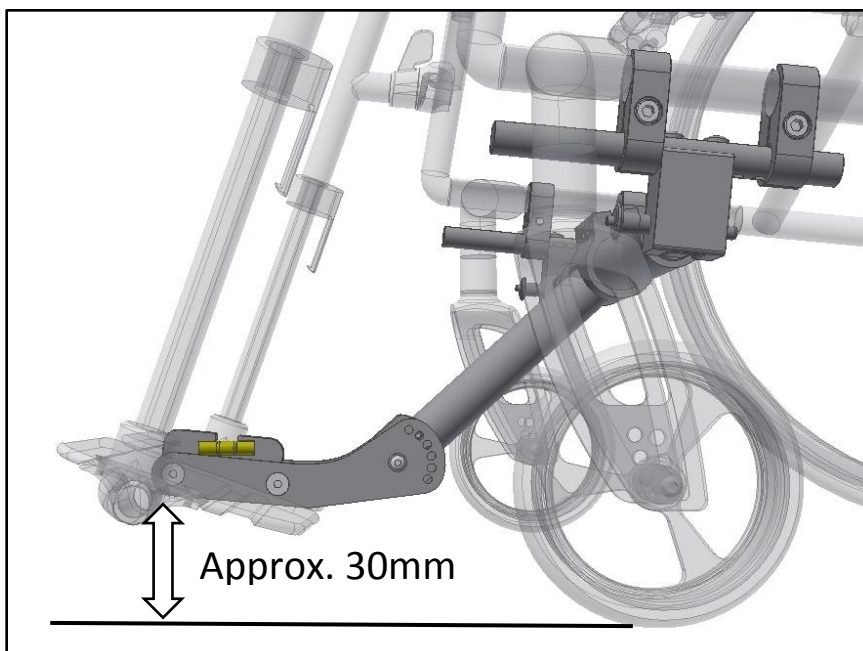
Step 3.2

Now rotate both the adapter bar and the fork to a position where the adjustment tool shows the correct angle and the fork doesn't collide with the footrests. If possible, make sure that the fork doesn't sit lower than the footrest and that the height, if possible, corresponds to the picture below.

Picture11



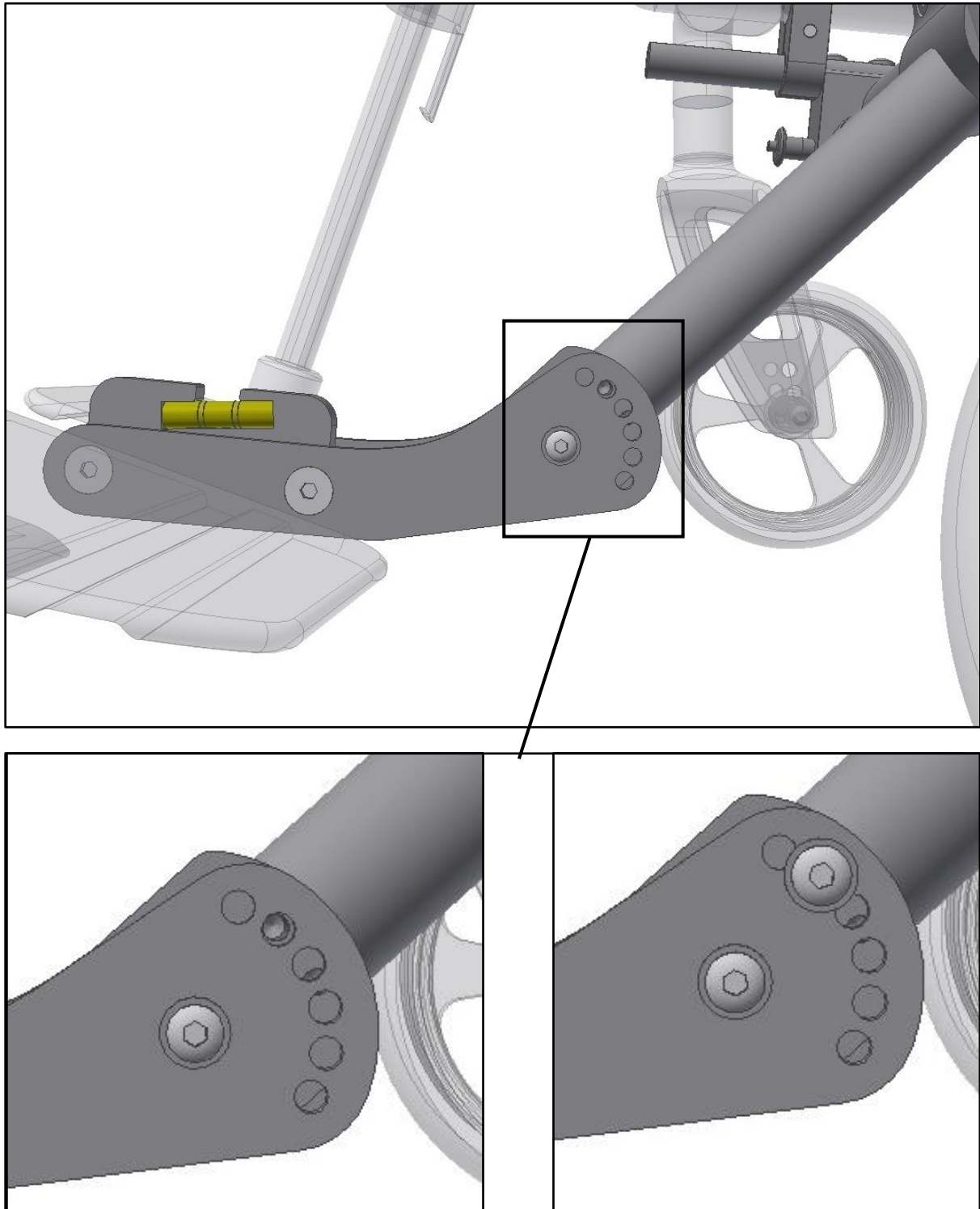
Picture12



Step 3.3

Reassemble the screw in the hole that is fits the best, se picture bellow for example.

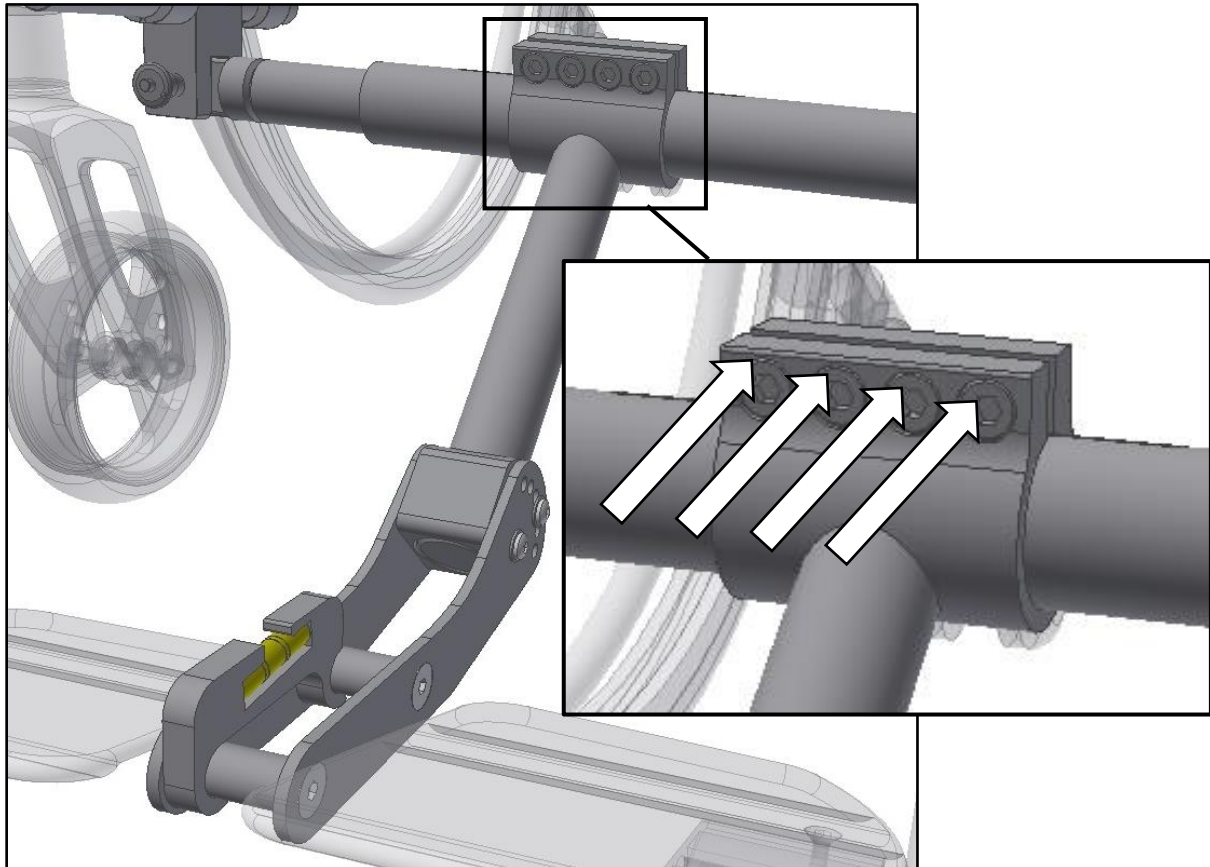
Picture13



Step 3.4

Now tighten the screws that sits in the clamp of the adaptor bar. Slightly tighten all four screws on the clamp. It is important to not completely tighten each screw, but to slowly tighten all four, a little at a time. **Keep tightening until all four screws are secured (30-35Nm of torque).** Also make sure one last time that the fork is centered and the angle of the adjustment tool is still correct.

Picture14



Step 3.5

Check one last time that all screws are properly secured. Now see the user manual of Adventus to continue the installation. This can be downloaded from www.decon.se/en/.