

SPARE PART CATALOGUE

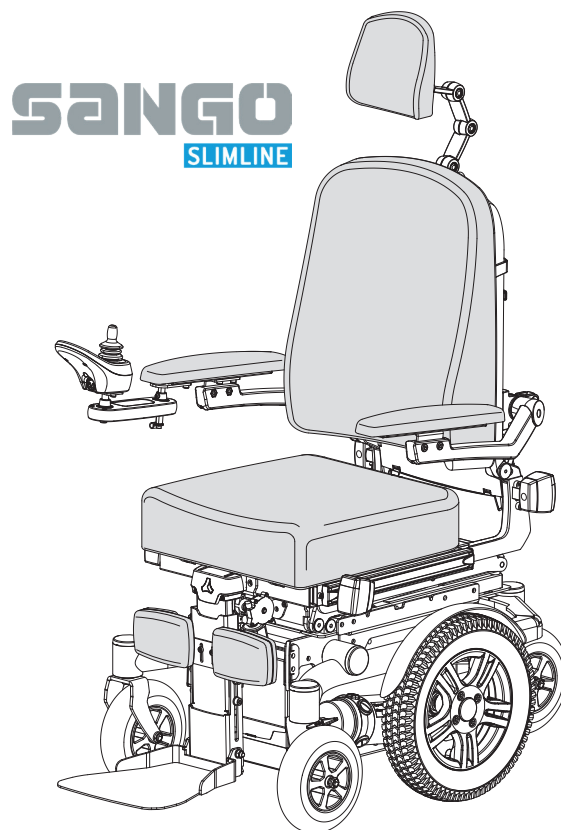
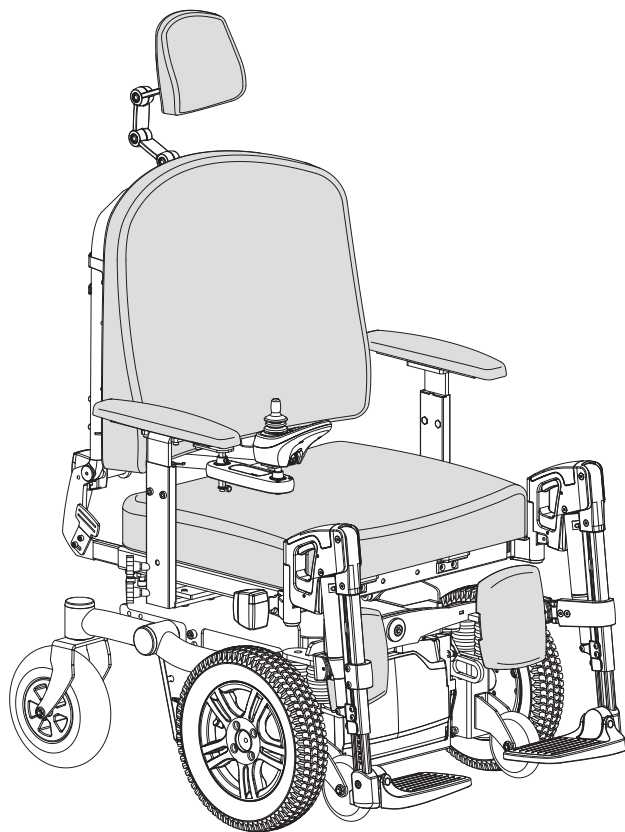
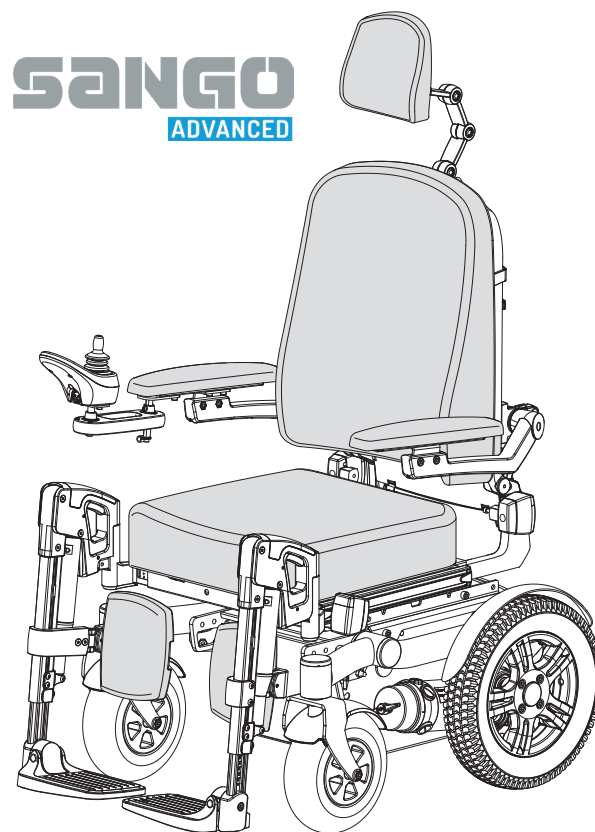
SANGO advanced R
SANGO advanced F
SANGO advanced M

SANGO advanced SEGO junior R
SANGO advanced SEGO junior F
SANGO advanced SEGO junior M

SANGO slimline R
SANGO slimline F
SANGO slimline M

SANGO slimline SEGO junior R
SANGO slimline SEGO junior F
SANGO slimline SEGO junior M

SANGO xxl



© 2017 DIETZ Power BV

All rights reserved.

The information provided may in no way be reproduced and/or published in any form or by any means (electronically or mechanically) without the express prior written consent of DIETZ Power BV.

The information provided is based on general data pertaining to constructions known at the time of issue. DIETZ Power BV pursues a policy of continuous product development and therefore reserves the right to make changes.

The information provided applies to the standard version of the product. DIETZ Power BV can therefore not be held liable for any damage resulting from specifications deviating from the standard version of the product.

The information made available has been compiled with the greatest care. However, DIETZ Power BV cannot be held liable for any errors in the information or for the consequences thereof. DIETZ Power BV cannot be held liable for any damage resulting from work carried out on the wheelchair by third parties.

Under legislation relating to the protection of trademarks, those commercial names, trade names, trademarks, etc. used by DIETZ Power BV may not be regarded as being free of rights.

Preface

This document is meant as a reference to order parts for the SANGO.

Other available manuals:

- The general user manual of the wheelchair.
- The user manual for the controller.
- The user manual for the battery charger.
- The service manual.
- The technical manual from the supplier of the controller.

⚠ Warning!

- Read through all the manuals carefully before performing any maintenance or repairs on the wheelchair.
- Always follow the safety guidelines!
- Repairs may only be carried out by trained and authorised service technicians. During the execution of their work they are at all times fully responsible for the fulfilment of locally applicable safety guidelines and standards.
- Temporary employees and persons in training may only carry out repair and replacement work under the supervision of an authorised service technician.

Order information

When ordering parts, please specify:

- Identification number (see Identification plate)
- Spare part number (5xxxxxx)
- Numbers of parts required
- Description
- Dimensions (if applicable)

Please send your orders to **orders@dietz-power.com**.

All orders and agreements are subject to the most recently registered general terms and conditions of sales with the registry of the court of 's-Hertogenbosch. Terms of conditions other than those referred to are not acceptable and hereby explicitly rejected.

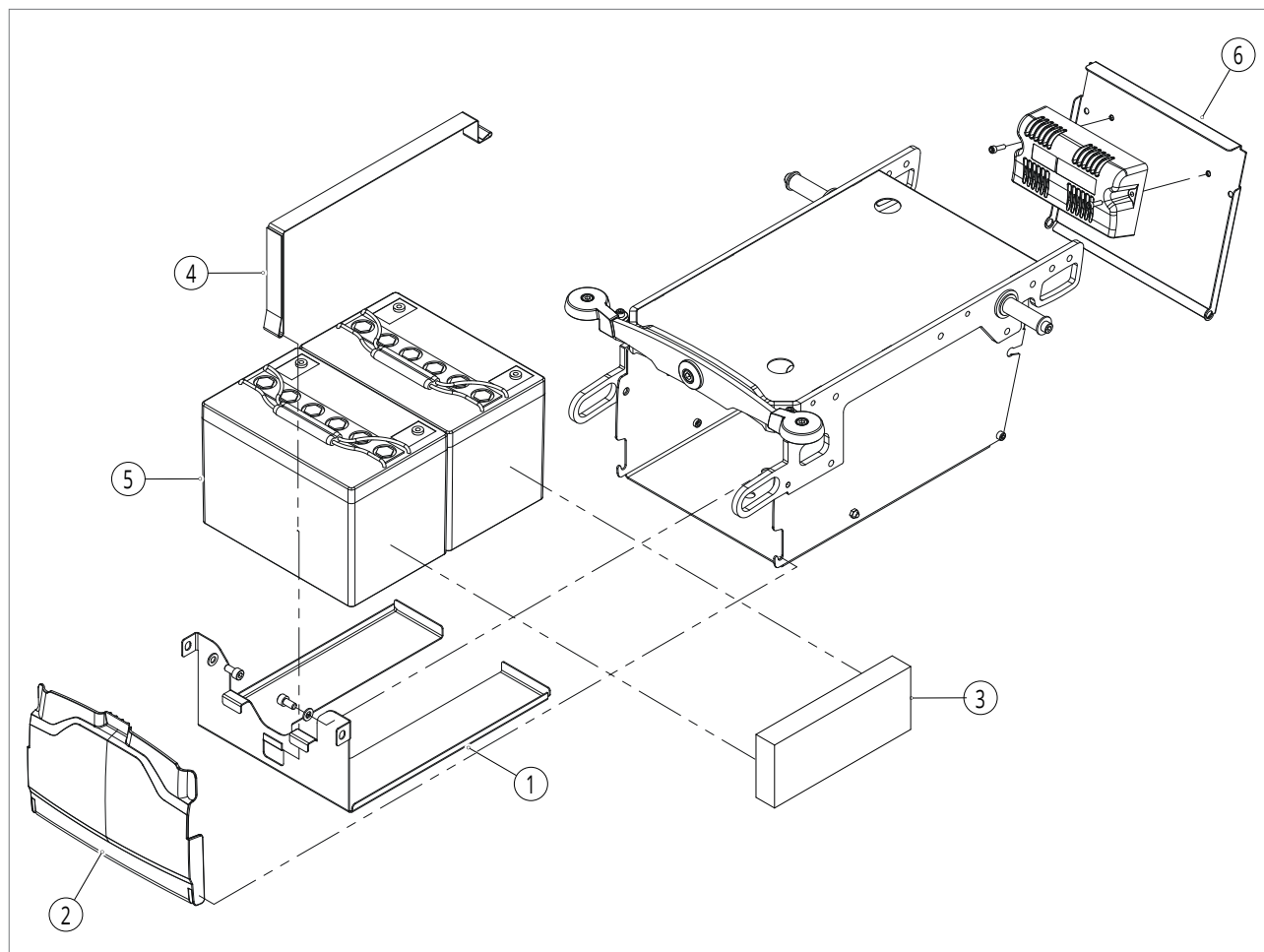
Exploded views & part lists

- Position numbers in the part lists refer to the position in the relevant drawing.
- Only ordered parts that are returned within one month from invoice date, undamaged and in the original packaging, can be credited.
- To return product/parts that becomes defective or need to be repaired or replaced as the result of a manufacturing fault or material defect, follow the procedure described in the warranty conditions which can be found in the user and service manual.

1. Chassis	5
1.1. Advanced base frame	5
1.2. Slimline base frame	6
1.3. Xxl base frame	7
1.4. Advanced FWD side frame	8
1.5. Xxl FWD side frame	10
1.6. Advanced RWD / slimline RWD+FWD side frame	11
1.7. Advanced MWD side frame	13
1.8. Slimline MWD side frame	15
1.9. Motors	17
1.10. Castor wheels and mudguard	18
1.11. Drive wheels and mudguard	20
2. Interface.....	21
2.1. Manual tilt	21
2.2. Advanced / slimline powered seat tilt and seat lift/tilt	22
2.3. Xxl powered seat tilt and catapult	23
3. Seating	24
3.1. Advanced / slimline seat frame and lighting	24
3.2. Xxl seat frame and lighting	26
3.3. Advanced / slimline backrest frame and armrests	27
3.4. Xxl backrest frame and armrests	29
3.5. Standard / comfort legrest	30
3.6. Powered articulating legrest	31
3.7. Mechanical centre mount legrest	32
3.8. Powered centre mount legrest	33
3.9. Legrest accessories	35
4. Upholstery.....	36
4.1. Seat cushions	36
4.2. Backrest cushions	42
4.3. Posture support	49
5. Controls	50
5.1. Joystick bracket	50
5.2. VR2 and R-net options	51
5.3. VR2 controller	52
5.4. R-net controller	53
5.5. R-net special controls	55
6. Accessories.....	56
6.1. Advanced Dahl car docking	56
6.2. Slimline Dahl car docking	57
6.3. Trays	58
6.4. Accessories	59
7. Version overview	60

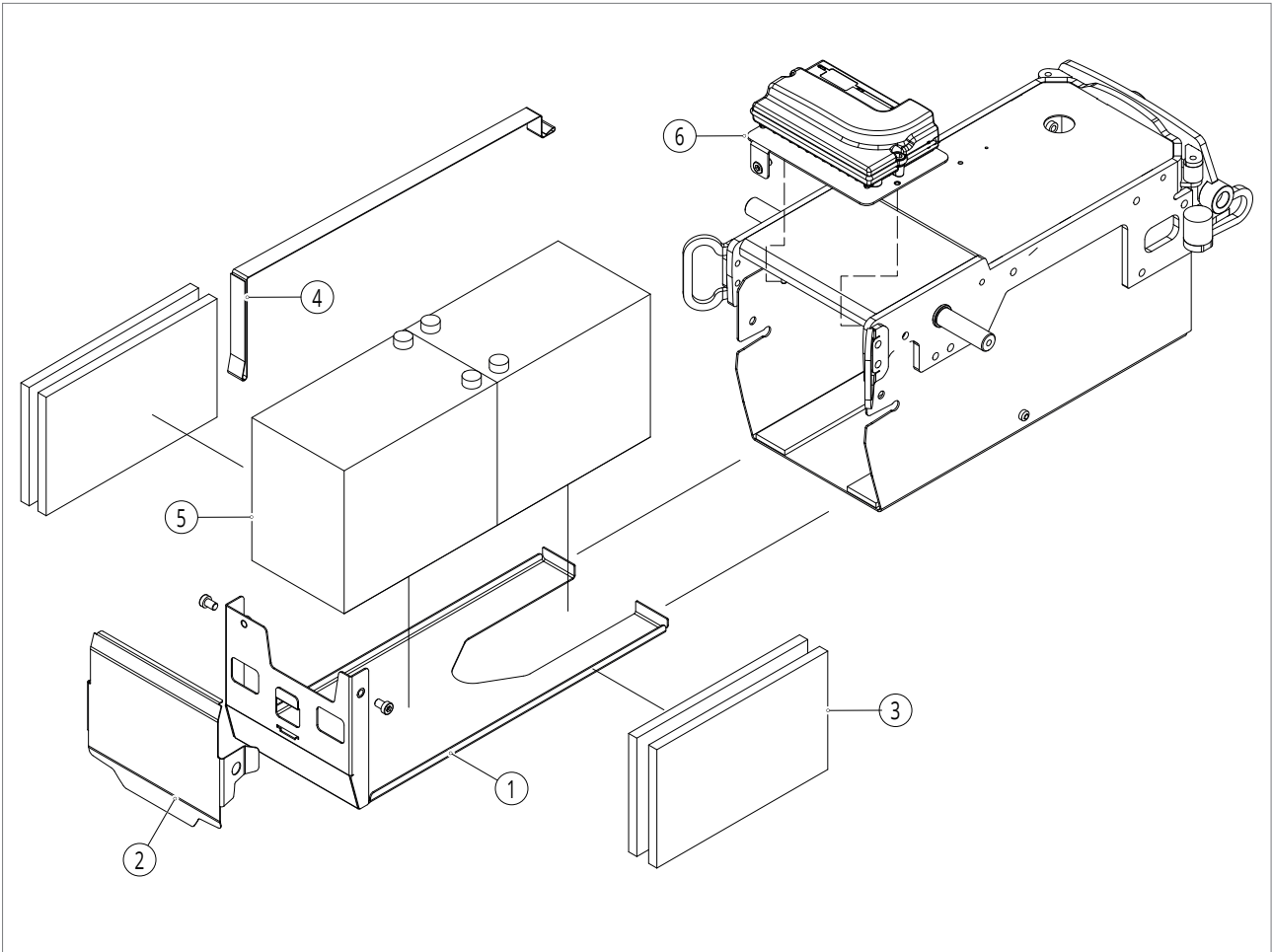
1. Chassis

1.1. Advanced base frame



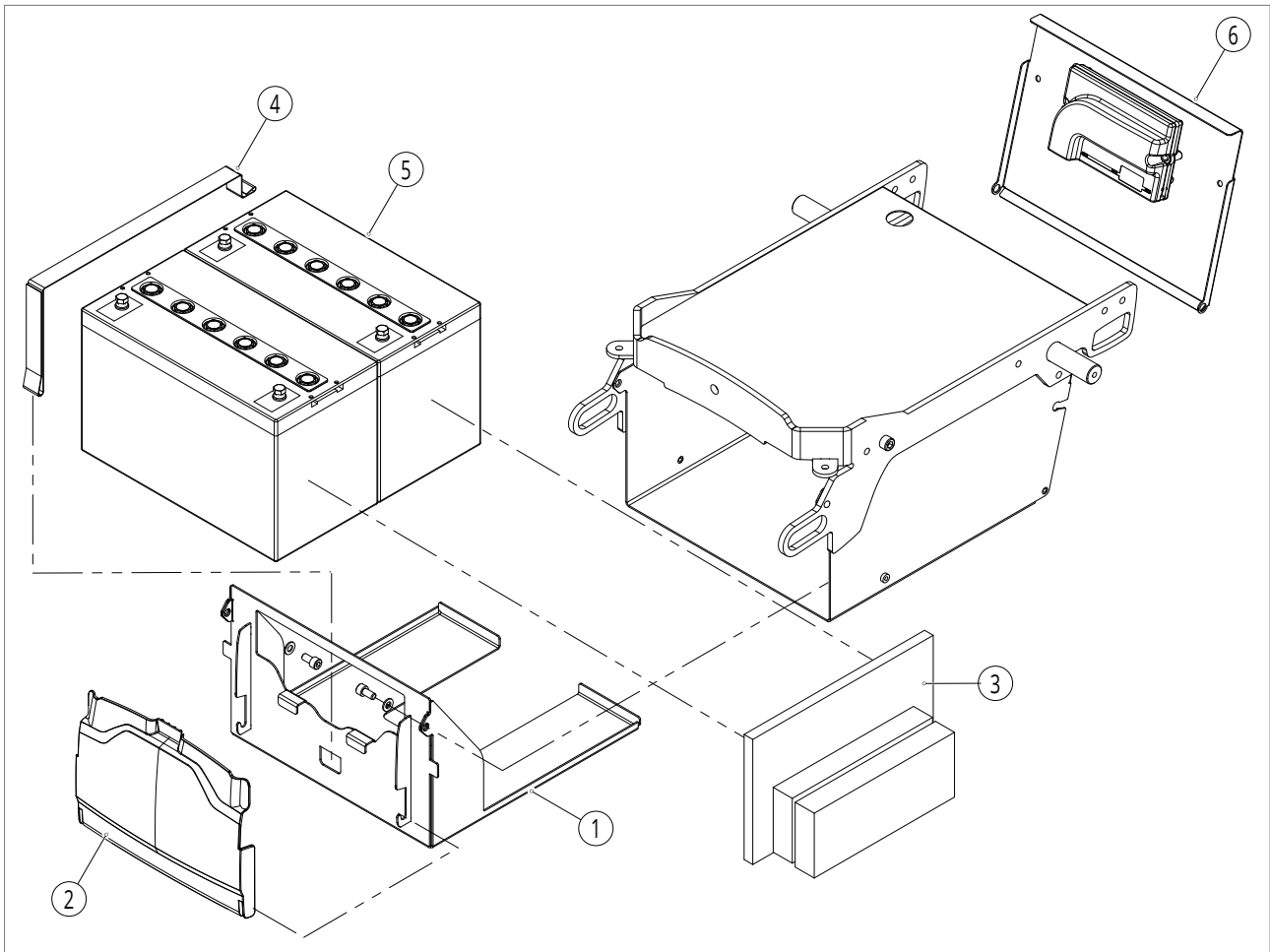
Pos no	Item no	Description	Per chair
1	5000061	Battery slide plate (advanced)	1
2	5000063	Battery cover black (advanced / xxl)	1
3	5000064	Battery foam block for 50 Ah batteries, set (advanced)	1
4	5000065	Battery strap	1
5	5000026	Battery 50 Ah, C20 AGM (50Ah C5)	2
5	5000066	Battery 60 Ah, C20 GEL (50Ah C5)	2
5	5000027	Battery 78 Ah, C20 GEL (50Ah C5)	2
6	5000071	Power module cover, black (advanced)	1
-	5000067	Battery charger 24V 8A	1
-	5000069	Battery charger 24V 8A - UK plug	1
-	5000068	Battery charger 24V 12A	1
-	5000070	Battery charger 24V 12A - UK plug	1
-	5001336	Battery charger 8A - Carry-on IP44	1
-	5001337	Battery charger 10A - Carry-on IP44	1

1.2. Slimline base frame



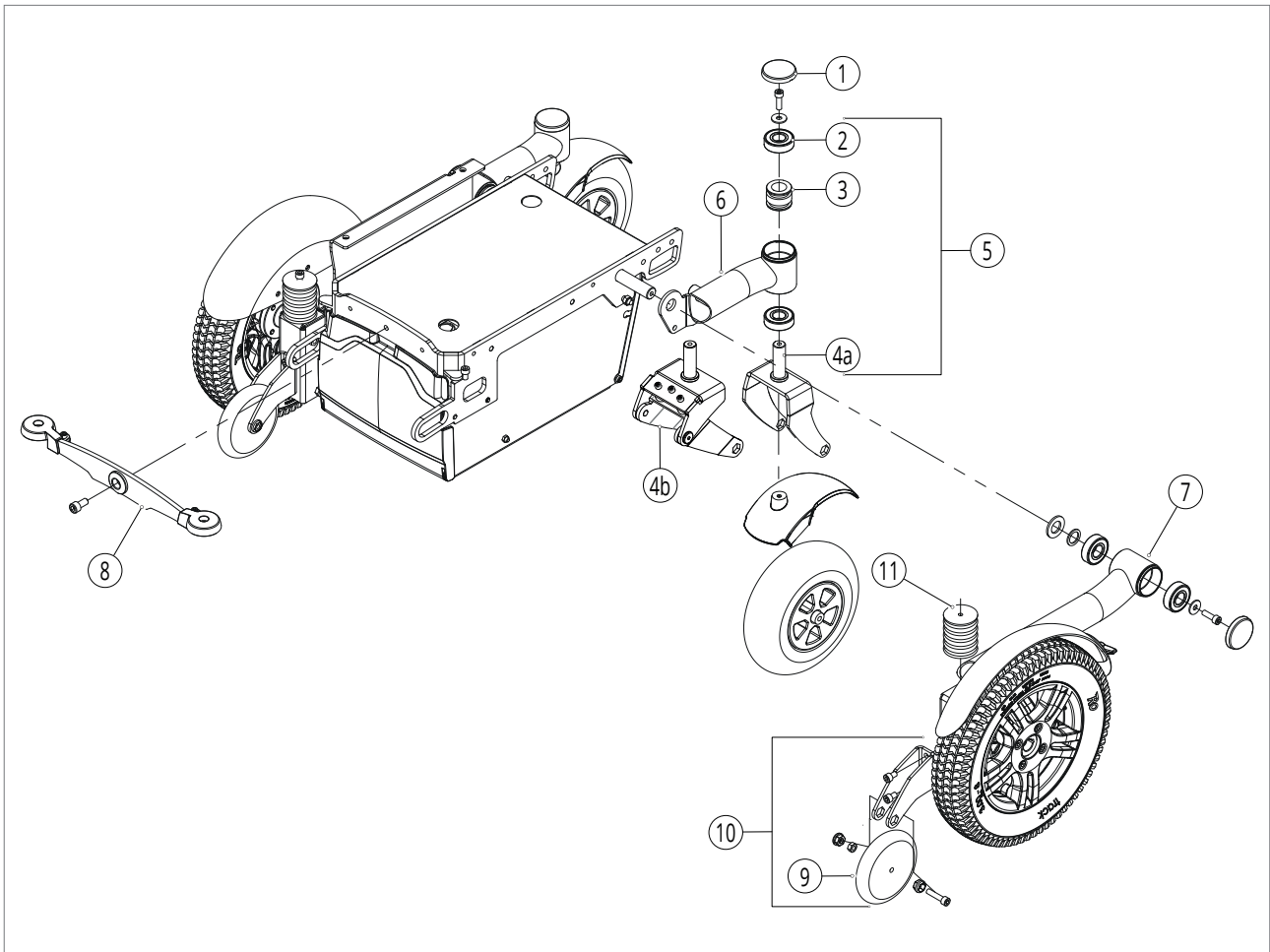
Pos no	Item no	Description	Per chair
1	5001139	Battery slide plate (slimline)	1
2	5001140	Battery cover grey (slimline)	1
3	5001141	Battery foam block for 60 Ah batteries, set (slimline)	1
4	5000065	Battery strap	1
5	5000977	Battery 60Ah AGM Super Cycle	2
6	5001161	Power module mounting plate (slimline)	1
-	5000067	Battery charger 24V 8A	1
-	5000069	Battery charger 24V 8A - UK plug	1
-	5000068	Battery charger 24V 12A	1
-	5000070	Battery charger 24V 12A - UK plug	1
-	5001336	Battery charger 8A - Carry-on IP44	1
-	5001337	Battery charger 10A - Carry-on IP44	1

1.3. Xxl base frame



Pos no	Item no	Description	Per chair
1	5001222	Battery slide plate (xxl)	1
2	5000063	Battery cover black (advanced / xxl)	1
3	5001223	Battery foam block for 78 Ah batteries, set	1
3	5001224	Battery foam block for 100 Ah batteries, set	1
4	5000065	Battery strap	1
5	5000027	Battery 78 Ah, C20 GEL (50Ah C5)	2
5	5000991	Battery 100 Ah, C20 AGM	2
6	5000072	Power module cover (xxl)	1
-	5000068	Battery charger 24V 12A	1
-	5000070	Battery charger 24V 12A - UK plug	1
-	5001336	Battery charger 8A - Carry-on IP44	1
-	5001337	Battery charger 10A - Carry-on IP44	1

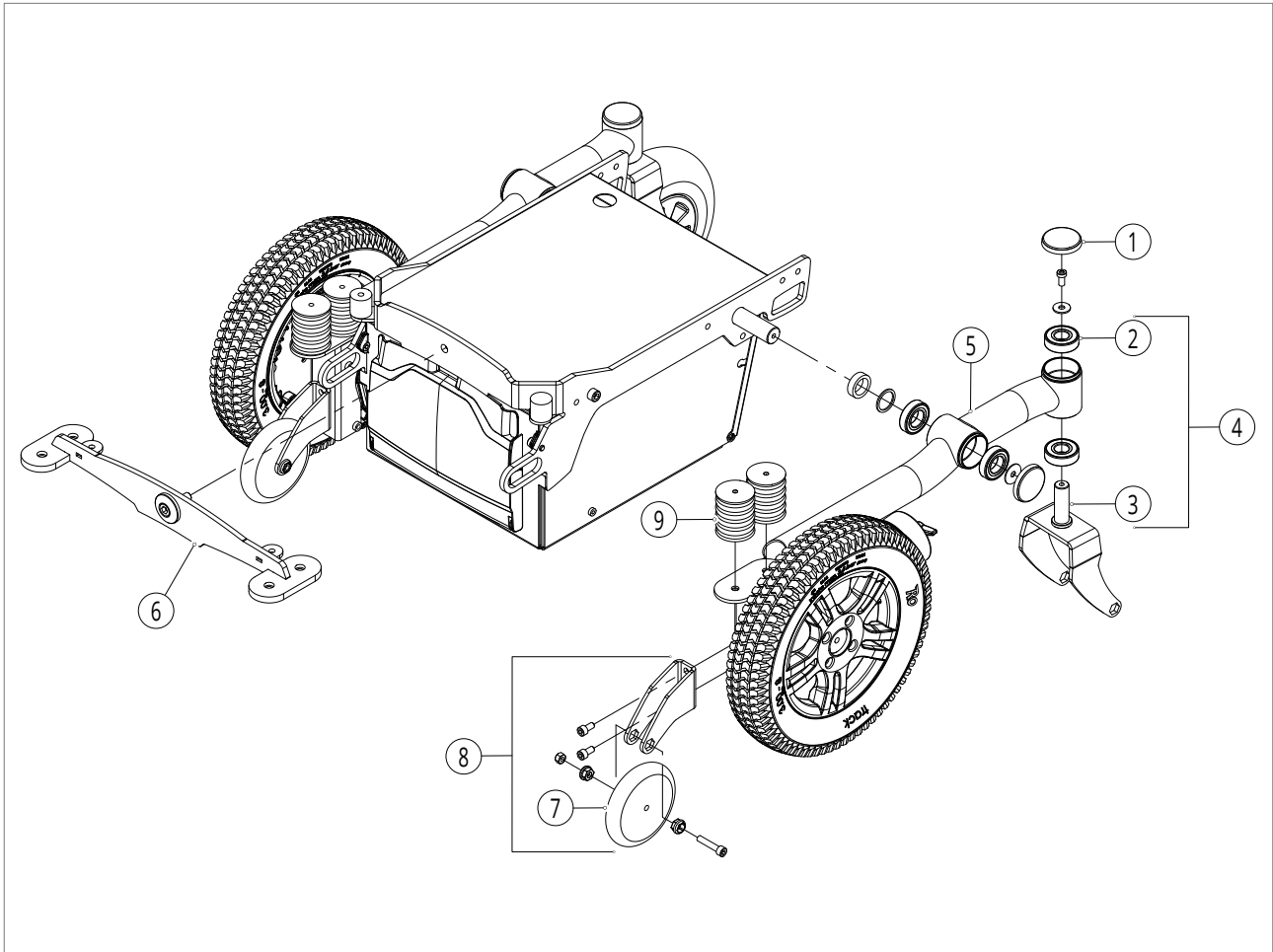
1.4. Advanced FWD side frame



Pos no	Item no	Description	Per chair
1	5000182	Cap hinge point, 6 pieces	1
2	5000183	Bearing 20x47x14, 2 pieces	4
3	5000566	Anti-shimmy hub and rubbers	2
4a	5000073	SANGO 8" fork FWD/RWD	2
4a	5000074	SANGO 9" and 10" fork	2
4b	5001151	SANGO 9" suspended forks	2
5	5000184	SANGO 8" fork FWD/RWD, complete	2
5	5000185	SANGO 9" / 10" fork , complete	2
5	5000948	SANGO 9" suspended forks, complete	2
6	5000075	Red castorarm FWD, right	1
6	5000076	Red castorarm FWD, left	1
6	5000077	Blue castorarm FWD, right	1
6	5000078	Blue castorarm FWD, left	1
6	5000079	Gold castorarm FWD, right	1
6	5000080	Gold castorarm FWD, left	1
6	5001203	Black castorarm FWD, right	1
6	5001204	Black castorarm FWD, left	1
6	5001441	White castorarm FWD, right	1
6	5001442	White castorarm FWD, left	1
7	5000081	Red motorarm FWD, right	1
7	5000082	Red motorarm FWD, left	1
7	5000083	Blue motorarm FWD, right	1
7	5000084	Blue motorarm FWD, left	1
7	5000085	Gold motorarm FWD, right	1
7	5000086	Gold motorarm FWD, left	1

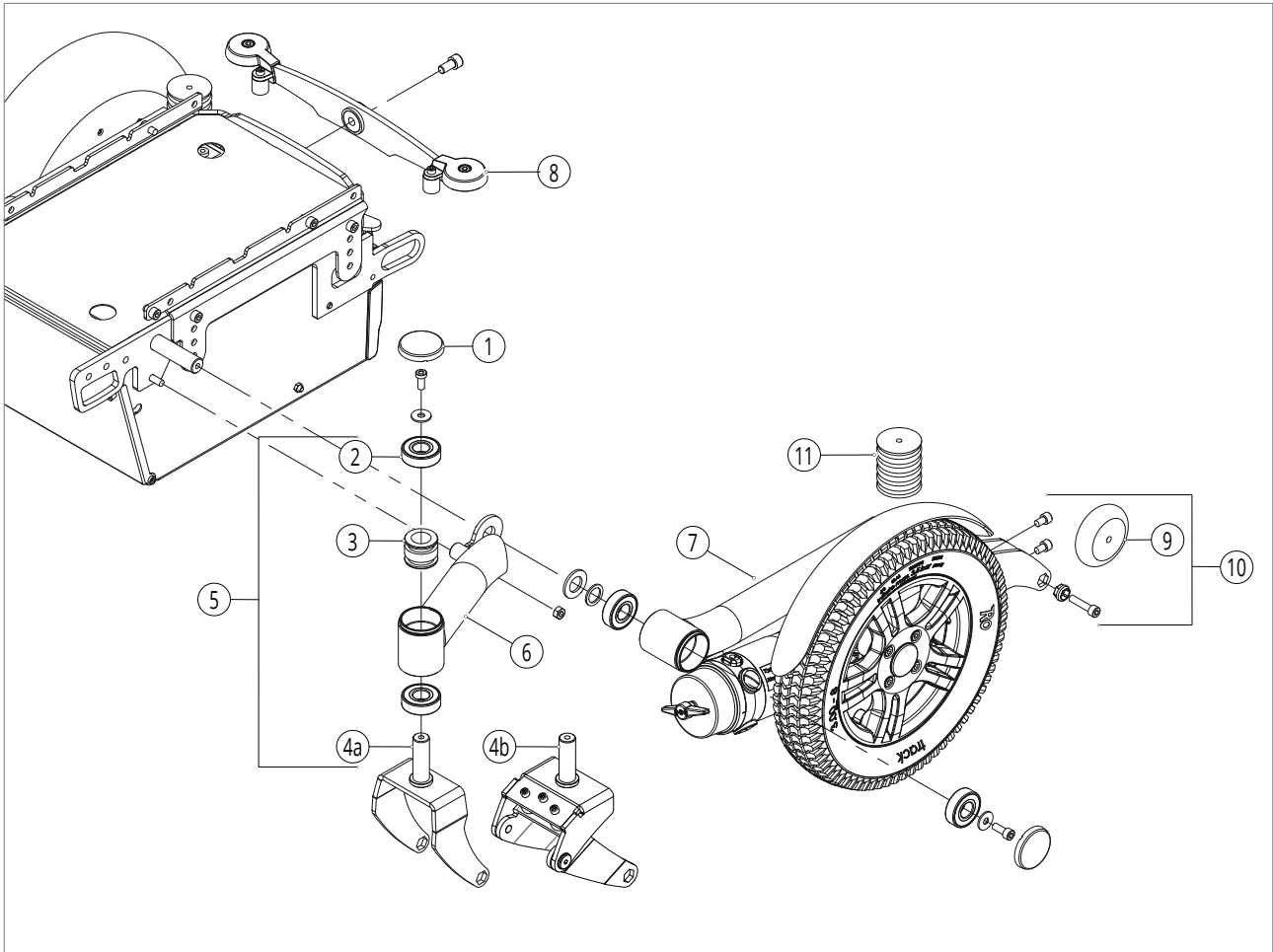
Pos no	Item no	Description	Per chair
7	5001205	Black motorarm FWD, right	1
7	5001206	Black motorarm FWD, left	1
7	5001443	White motorarm FWD, right	1
7	5001444	White motorarm FWD, left	1
8	5000186	Swing arm SANGO advanced FWD / RWD	1
9	5000087	Anti-tip wheel FWD incl. mounting material (R=L)	2
10	5000088	Anti-tip wheel and bracket FWD incl. mounting material (R=L)	2
10	5000569	Anti-tip wheel and FR bracket FWD incl. mounting material, right	1
10	5000949	Anti-tip wheel and FR bracket FWD incl. mounting material, left	1
11	5000089	Suspension rubber (40 SH), 2 pieces	1
11	5000090	Suspension rubber (55 SH), 2 pieces	1
-	5000091	Sticker SANGO advanced F, light grey, set	1
-	5000092	Sticker SANGO advanced F, dark grey, set	1
-	-	Motors see drawing 1.9	-
-	-	Castor wheels see drawing 1.10	-
-	-	Drive wheels see drawing 1.11	-

1.5. Xxl FWD side frame



Pos no	Item no	Description	Per chair
1	5000182	Cap hinge point, 6 pieces	1
2	5000183	Bearing 20x47x14, 2 pieces	4
3	5000074	SANGO 9" and 10" fork	2
4	5000185	SANGO 9" / 10" fork , complete	2
5	5001225	Blue motorarm FWD, right (xxl)	1
5	5001226	Blue motorarm FWD, left (xxl)	1
6	5001227	Swing arm FWD	1
7	5000087	Anti-tip wheel FWD incl. mounting material (R=L)	2
8	5000088	Anti-tip wheel and bracket FWD incl. mounting material (R=L)	2
8	5000569	Anti-tip wheel and FR bracket FWD incl. mounting material, right	1
8	5000949	Anti-tip wheel and FR bracket FWD incl. mounting material, left	1
9	5000089	Suspension rubber (40 SH), 2 pieces	2
9	5000090	Suspension rubber (55 SH), 2 pieces	2
-	5001228	Sticker SANGO xxl F, light grey, set	1
-	-	Motors see drawing 1.9	-
-	-	Castor wheels see drawing 1.10	-
-	-	Drive wheels see drawing 1.11	-

1.6. Advanced RWD / slimline RWD+FWD side frame

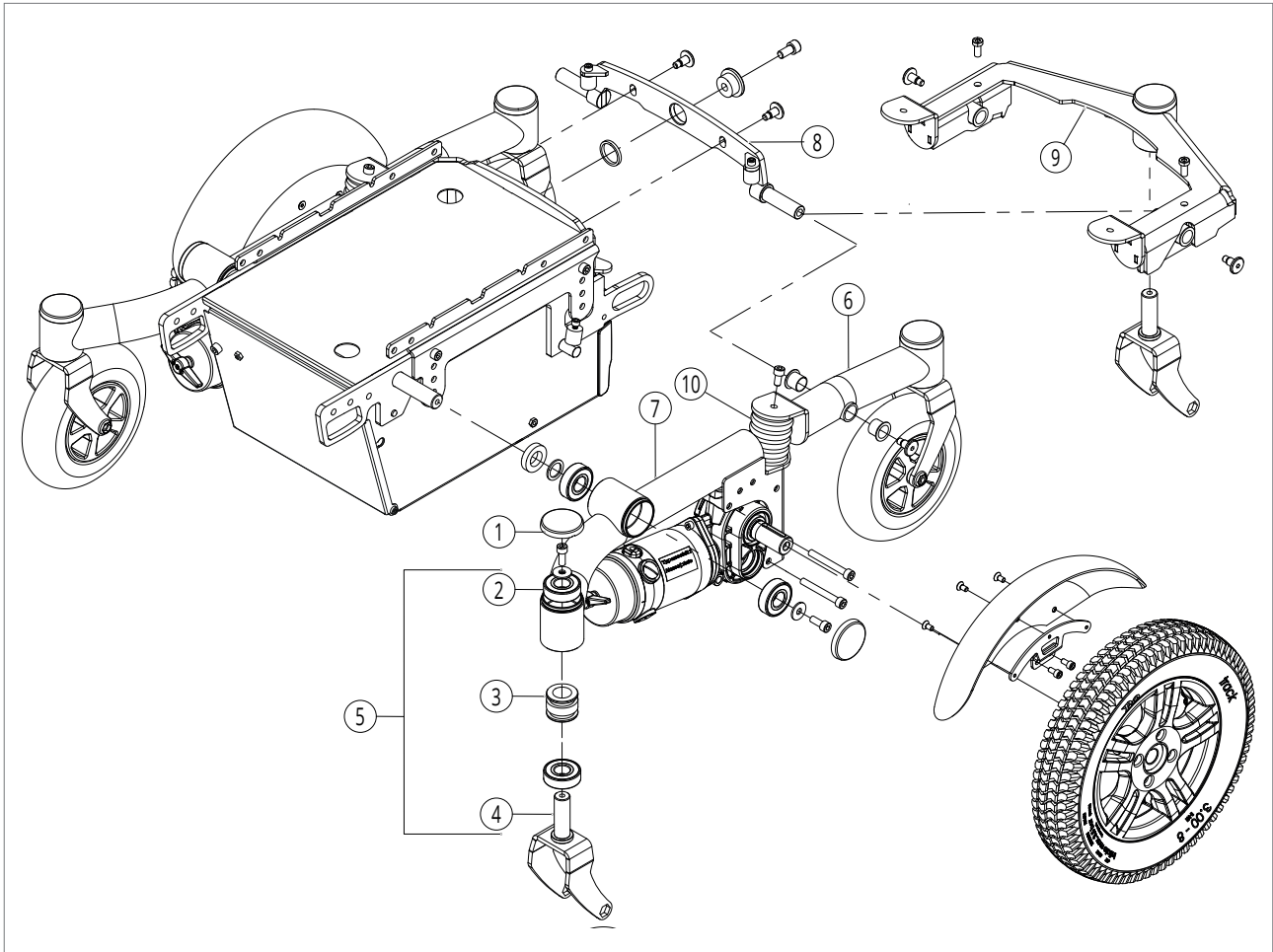


Pos no	Item no	Description	Per chair
1	5000182	Cap hinge point, 6 pieces	1
2	5000183	Bearing 20x47x14, 2 pieces	4
3	5000566	Anti-shimmy hub and rubbers	2
4a	5000073	SANGO 8" fork FWD/RWD	2
4a	5000074	SANGO 9" and 10" fork	2
4b	5001151	SANGO 9" suspended forks	2
5	5000184	SANGO 8" fork FWD/RWD, complete	2
5	5000185	SANGO 9" and 10" fork , complete	2
5	5000948	SANGO 9" suspended forks, complete	2
6	5000093	Red castorarm advanced/slimline RWD right / slimline FWD left	1
6	5000094	Red castorarm advanced/slimline RWD left / slimline FWD right	1
6	5000095	Blue castorarm advanced/slimline RWD right / slimline FWD left	1
6	5000096	Blue castorarm advanced/slimline RWD left / slimline FWD right	1
6	5000097	Gold castorarm advanced/slimline RWD right / slimline FWD left	1
6	5000098	Gold castorarm advanced/slimline RWD left / slimline FWD right	1
6	5001207	Black castorarm advanced/slimline RWD right / slimline FWD left	1
6	5001208	Black castorarm advanced/slimline RWD left / slimline FWD right	1
6	5001445	White castorarm advanced/slimline RWD right / slimline FWD left	1
6	5001446	White castorarm advanced/slimline RWD left / slimline FWD right	1
7	5000099	Red motorarm RWD, right	1
7	5000100	Red motorarm RWD, left	1
7	5000101	Blue motorarm RWD, right	1
7	5000102	Blue motorarm RWD, left	1
7	5000103	Gold motorarm RWD, right	1
7	5000104	Gold motorarm RWD, left	1

Chassis

Pos no	Item no	Description	Per chair
7	5001209	Black motorarm RWD, right	1
7	5001210	Black motorarm RWD, left	1
7	5001447	White motorarm RWD, right	1
7	5001448	White motorarm RWD, left	1
7	5000081	Red motorarm FWD, right	1
7	5000082	Red motorarm FWD, left	1
7	5000083	Blue motorarm FWD, right	1
7	5000084	Blue motorarm FWD, left	1
7	5000085	Gold motorarm FWD, right	1
7	5000086	Gold motorarm FWD, left	1
7	5001205	Black motorarm FWD, right	1
7	5001206	Black motorarm FWD, left	1
7	5001443	White motorarm FWD, right	1
7	5001444	White motorarm FWD, left	1
8	5000186	Swing arm SANGO advanced FWD / RWD	1
8	5001142	Swing arm SANGO slimline FWD / RWD	1
9	5000001	Anti-tip wheel RWD incl. mounting material (R=L)	2
10	5000570	Anti-tip wheel and FR bracket RWD incl. mounting material, right	1
10	5000951	Anti-tip wheel and FR bracket RWD incl. mounting material, left	1
11	5000089	Suspension rubber (40 SH), 2 pieces	1
11	5000090	Suspension rubber (55 SH), 2 pieces	1
-	5000106	Sticker SANGO advanced R, light grey, set	1
-	5000107	Sticker SANGO advanced R, dark grey, set	1
-	5001143	Sticker SANGO slimline R, light grey, set	1
-	5001144	Sticker SANGO slimline R, dark grey, set	1
-	5001397	Sticker SANGO slimline-F, light grey, set	1
-	5001398	Sticker SANGO slimline-F, dark grey, set	1
-	-	Motors see drawing 1.9	-
-	-	Castor wheels see drawing 1.10	-
-	-	Drive wheels see drawing 1.11	-

1.7. Advanced MWD side frame

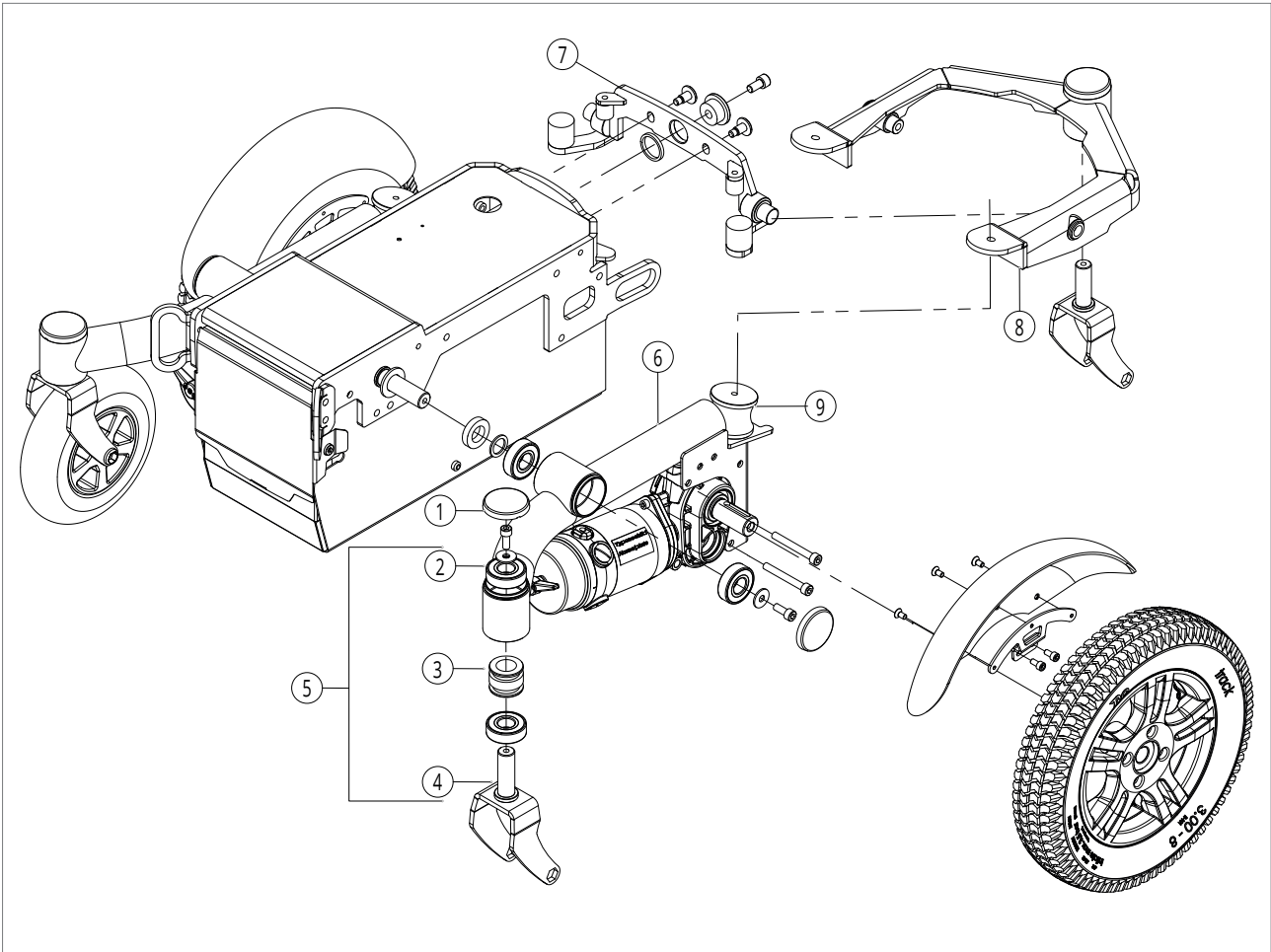


Pos no	Item no	Description	Per chair
1	5000182	Cap hinge point, 6 pieces	1
2	5000183	Bearing 20x47x14, 2 pieces	6
3	5000566	Anti-shimmy hub and rubbers	4
4a	5000108	SANGO 7" and 8" fork MWD	4
-	5001500	SANGO 8" suspended forks MWD	2
4b	5000073	SANGO 8" fork FWD/RWD	2
5	5000188	SANGO 7" and 8" fork MWD, complete	4
-	5001501	SANGO 8" suspended forks MWD, complete	2
5	5000184	SANGO 8" fork FWD/RWD, complete	2
6	5000109	Red castorarm MWD	2
6	5000110	Blue castorarm MWD	2
6	5000111	Gold castorarm MWD	2
6	5001211	Black castorarm MWD	2
6	5001449	White castorarm MWD	2
7	5000112	Red motorarm MWD, right	1
7	5000113	Red motorarm MWD, left	1
7	5000114	Blue motorarm MWD, right	1
7	5000115	Blue motorarm MWD, left	1
7	5000116	Gold motorarm MWD, right	1
7	5000117	Gold motorarm MWD, left	1
7	5001212	Black motorarm MWD, right	1
7	5001213	Black motorarm MWD, left	1
7	5001450	White motorarm MWD, right	1
7	5001451	White motorarm MWD, left	1
8	5000189	Swing arm SANGO advanced MWD	1

Chassis

Pos no	Item no	Description	Per chair
9	5000947	SANGO advanced suspension bridge	1
10	5000089	Suspension rubber (40 SH), 2 pieces	1
10	5000090	Suspension rubber (55 SH), 2 pieces	1
-	5000118	Sticker SANGO advanced M, Light grey, set	1
-	5000119	Sticker SANGO advanced M, Dark grey, set	1
-	-	Motors see drawing 1.9	-
-	-	Castor wheels see drawing 1.10	-
-	-	Drive wheels see drawing 1.11	-

1.8. Slimline MWD side frame

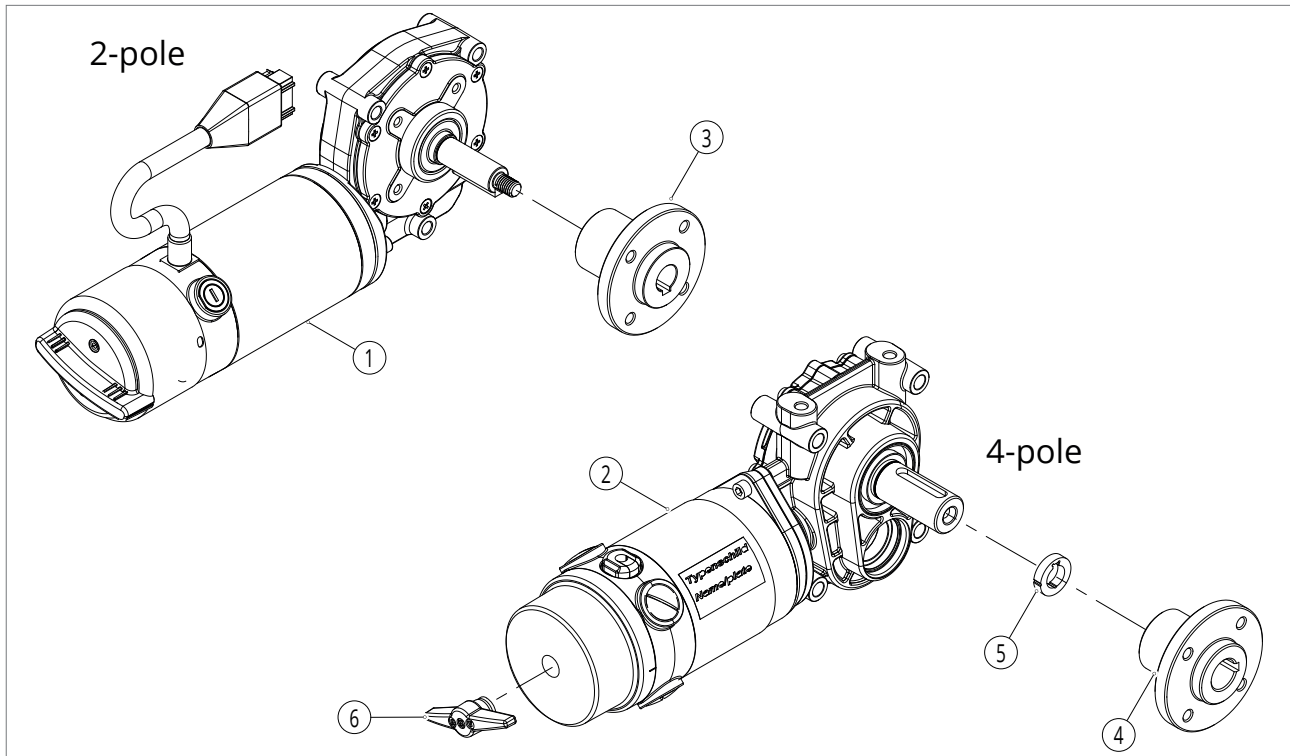


Pos no	Item no	Description	Per chair
1	5000182	Cap hinge point, 6 pieces	1
2	5000183	Bearing 20x47x14, 2 pieces	6
3	5000566	Anti-shimmy hub and rubbers	4
4a	5000108	SANGO 7" and 8" fork MWD	4
-	5001500	SANGO 8" suspended forks MWD	2
4b	5000073	SANGO 8" fork FWD/RWD	2
5	5000188	SANGO 7" and 8" fork MWD, complete	4
-	5001501	SANGO 8" suspended forks MWD, complete	2
5	5000184	SANGO 8" fork FWD/RWD, complete	2
6	5000112	Red motorarm MWD, right	1
6	5000113	Red motorarm MWD, left	1
6	5000114	Blue motorarm MWD, right	1
6	5000115	Blue motorarm MWD, left	1
6	5000116	Gold motorarm MWD, right	1
6	5000117	Gold motorarm MWD, left	1
6	5001212	Black motorarm MWD, right	1
6	5001213	Black motorarm MWD, left	1
6	5001450	White motorarm MWD, right	1
6	5001451	White motorarm MWD, left	1
7	5001145	Swing arm SANGO slimline MWD	1
8	5001148	SANGO slimline suspension bridge	1
9	5000089	Suspension rubber (40 SH), 2 pieces	1
9	5000090	Suspension rubber (55 SH), 2 pieces	1
-	5001146	Sticker SANGO slimline M, Light grey, set	1
-	5001147	Sticker SANGO slimline M, Dark grey, set	1

Chassis

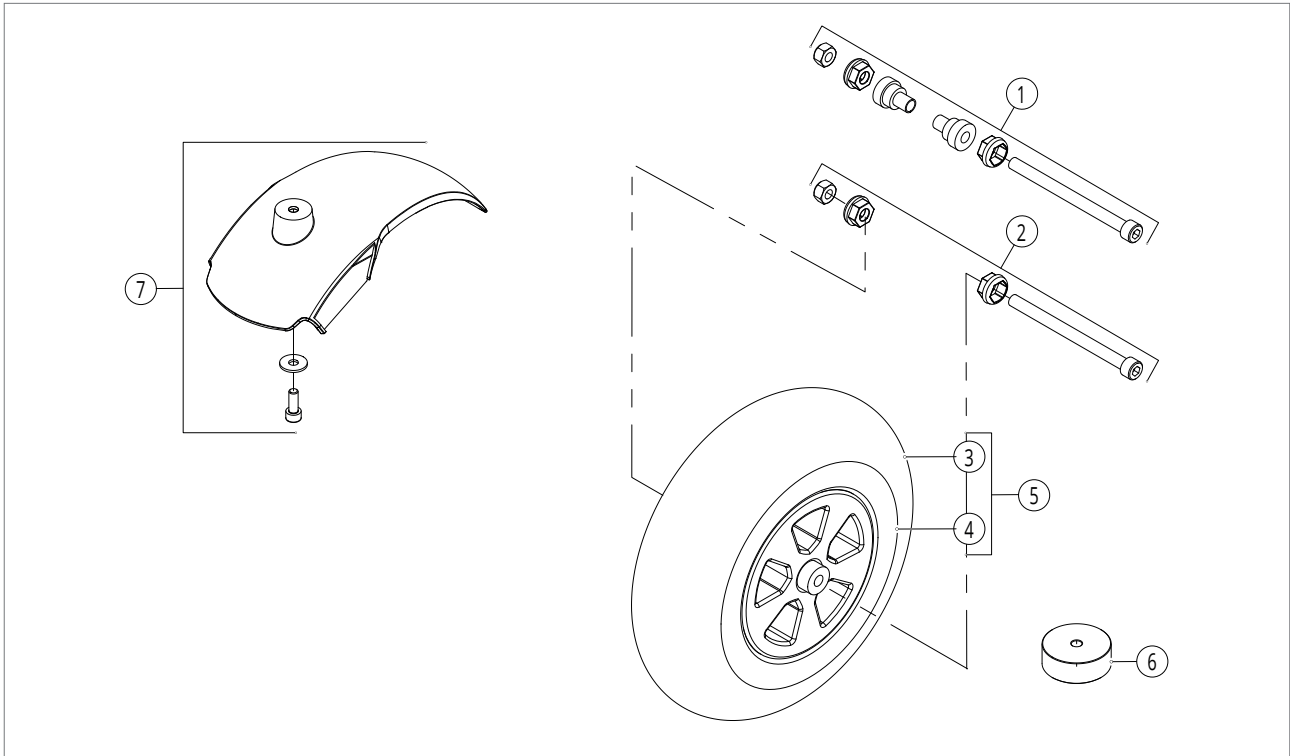
Pos no	Item no	Description	Per chair
-	-	Motors see drawing 1.9	-
-	-	Castor wheels see drawing 1.10	-
-	-	Drive wheels see drawing 1.11	-

1.9. Motors



Pos no	Item no	Description	Per chair
1	5000039	Motor 6km/h CT, 2-pole, RWD/MWD right (FWD left)	1
1	5000120	Motor 6km/h CT, 2-pole, RWD/MWD left (FWD right)	1
1	5000124	Motor 10km/h CT, 2-pole, RWD/MWD right (FWD left)	1
1	5000125	Motor 10km/h CT, 2-pole, RWD/MWD left (FWD right)	1
2	5000121	Motor 6km/h, 4-pole high torque, RWD/MWD right (FWD left)	1
2	5000122	Motor 6km/h, 4-pole high torque, RWD/MWD left (FWD right)	1
2	5000968	Motor 6km/h HD, 4-pole high torque 25 mm, left (xxl)	1
2	5000969	Motor 6km/h HD, 4-pole high torque 25 mm, right (xxl)	1
2	5000126	Motor 10km/h, 4-pole high torque, RWD/MWD right (FWD left)	1
2	5000127	Motor 10km/h, 4-pole high torque, RWD/MWD left (FWD right)	1
2	5000128	Motor 12km/h, 4-pole high torque, RWD/MWD right (FWD left)	1
2	5000129	Motor 12km/h, 4-pole high torque, RWD/MWD left (FWD right)	1
3	5000131	Wheel hub 2-pole (17 mm)	2
4	5000132	Wheel hub 4-pole high torque (20 mm)	2
4	5000133	Wheel hub 4-pole Heavy Duty (25 mm)	2
5	5000847	Bush motorshaft	2
6	5000134	Free wheel lever (4 pole)	2
-	5001340	Carbon brushes, set (4 pieces)	1

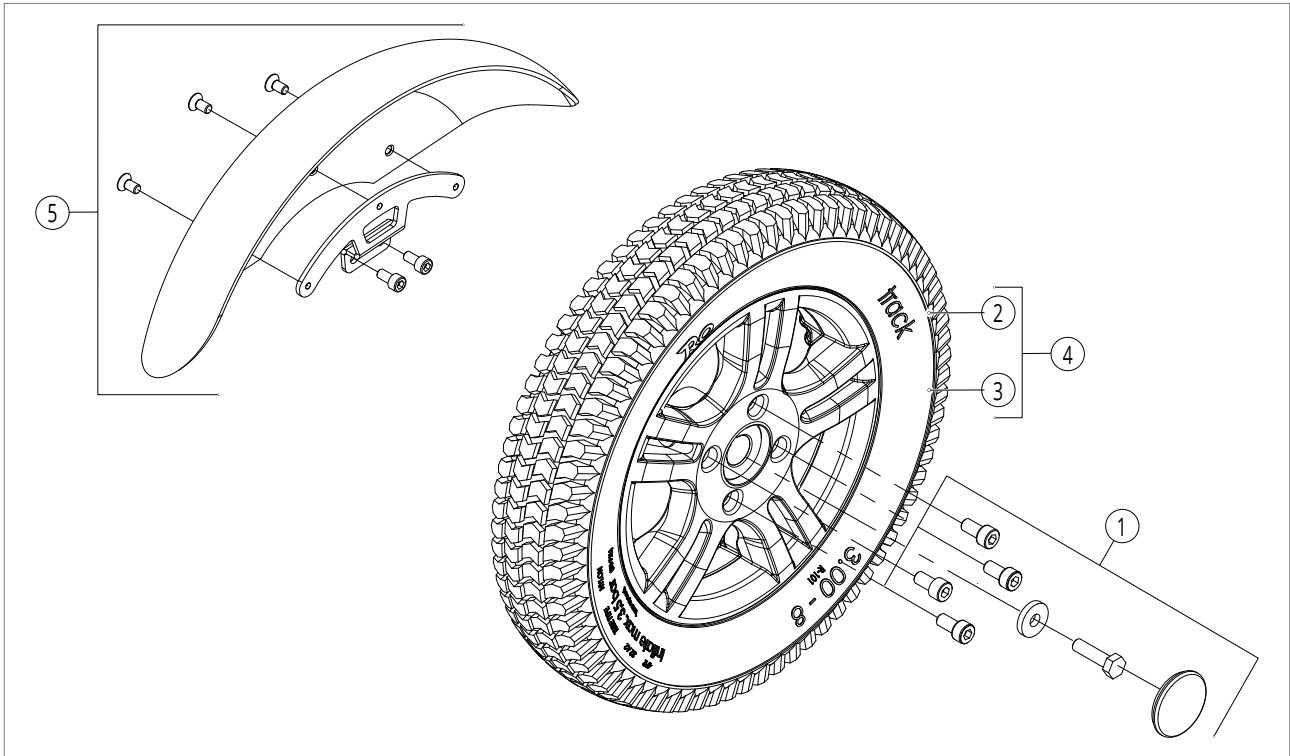
1.10. Castor wheels and mudguard



Pos no	Item no	Description	Per chair
1	5000135	8" castor wheel mounting material	2
1	5000190	7" castor wheel mounting material	2
2	5000136	9" and 10" castor wheel mounting material	2
3	5000137	Tyre 8" air, black	2
3	5000139	Tyre 8" air, grey	2
3	5000138	Tyre 8" solid, black	2
3	5000140	Tyre 8" solid, grey	2
3	5000141	Tyre 9" air, black	2
3	5000143	Tyre 9" air, grey	2
3	5000142	Tyre 9" solid, black	2
3	5000144	Tyre 9" solid, grey	2
3	5000145	Tyre 10" air, black	2
3	5000146	Tyre 10" air, grey	2
3	5001457	Tyre 10" solid, black	2
3	5001458	Tyre 10" solid, grey	2
4	5000159	Inner tube 8" castor wheel	2
4	5000160	Inner tube 9" castor wheel	2
4	5000161	Inner tube 10" castor wheel	2
-	5001365	Rim 8"	2
-	5001366	Rim 9"	2
-	5001367	Rim 10"	2
5	5000147	Castor wheel 7", solid, black	2
5	5000148	Castor wheel 7", solid, grey	2
5	5000029	Castor wheel 8", air, black	2
5	5000150	Castor wheel 8", air, grey	2
5	5000149	Castor wheel 8", solid, black	2
5	5000151	Castor wheel 8", solid, grey	2
5	5000152	Castor wheel 9", air, black	2
5	5000154	Castor wheel 9", air, grey	2
5	5000153	Castor wheel 9", solid, black	2
5	5000155	Castor wheel 9", solid, grey	2

Pos no	Item no	Description	Per chair
5	5000156	Castor wheel 10", air, black	2
5	5000157	Castor wheel 10", air, grey	2
5	5001455	Castor wheel 10", solid, black	2
5	5001456	Castor wheel 10", solid, grey	2
6	5001290	Spacer 10" (needed when replacing a 9" wheel with a 10" wheel)	2
7	5000158	Mudguard, 9" castor wheel	2

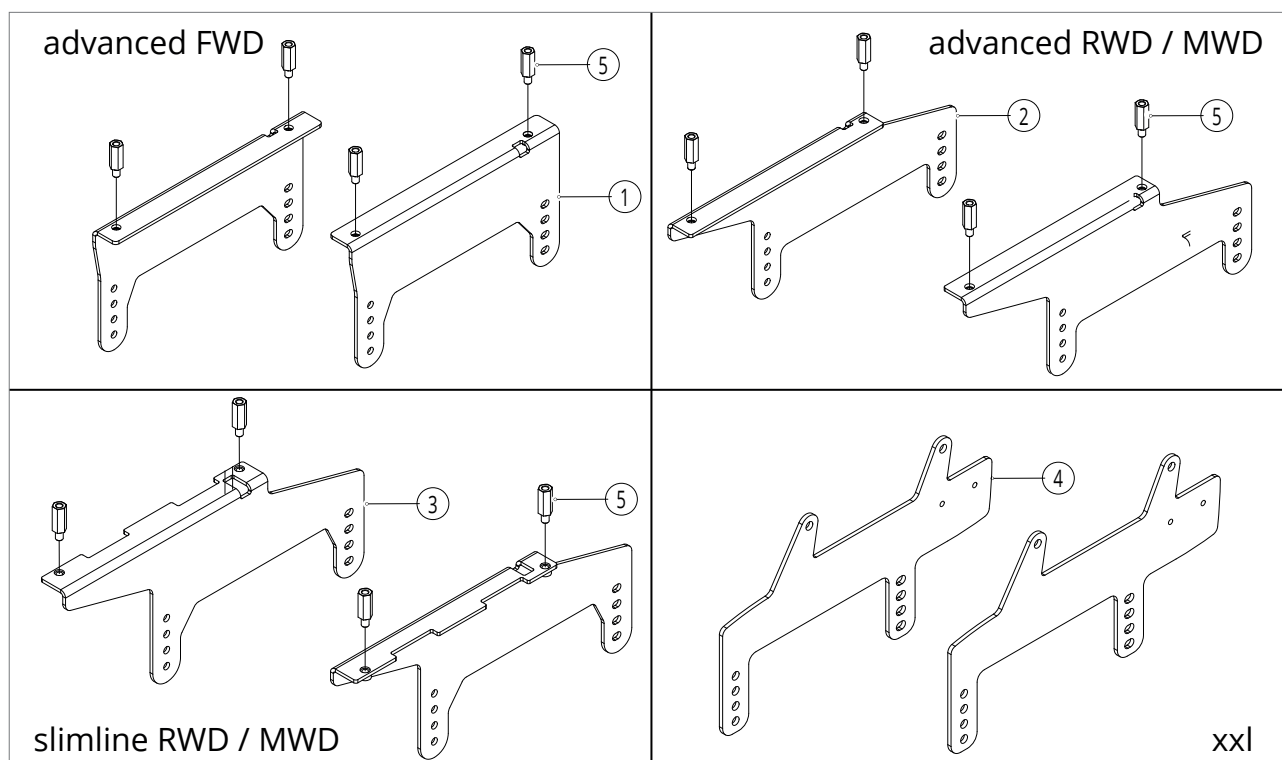
1.11. Drive wheels and mudguard



Pos no	Item no	Description	Per chair
1	5000162	Drive wheel mounting material (advanced / slimline)	2
1	5001229	Drive wheel mounting material (xxl)	2
2	5000028	Tyre 12" air, black	2
2	5000164	Tyre 12" air, grey	2
2	5000163	Tyre 12" solid, black	2
2	5000165	Tyre 12" solid, grey	2
2	5000166	Tyre 14" air, black	2
2	5000168	Tyre 14" air, grey	2
2	5000167	Tyre 14" solid, black	2
2	5000169	Tyre 14" solid, grey	2
2	5001215	Tyre 16" air, black	2
2	5001216	Tyre 16" air, grey	2
3	5000191	Inner tube, 12" drive wheel, air	2
3	5000181	Inner tube, 14" dive wheel, air	2
3	5001217	Inner tube, 16" dive wheel, air	2
-	5001368	Rim 12"= 14"	2
4	5000170	Drive wheel 12" air, black	2
4	5000172	Drive wheel 12" air, grey	2
4	5000171	Drive wheel 12" solid, black	2
4	5000173	Drive wheel 12" solid, grey	2
4	5000174	Drive wheel 14" air, black	2
4	5000176	Drive wheel 14" air, grey	2
4	5000175	Drive wheel 14" solid, black	2
4	5000177	Drive wheel 14" solid, grey	2
4	5001230	Drive wheel 14" air, black (xxl)	2
4	5000178	Drive wheel 14" air, grey (xxl)	1
4	5001231	Drive wheel 14" solid, black (xxl)	2
4	5000179	Drive wheel 14" solid, grey (xxl)	1
4	5001218	Drive wheel 16" air, black	2
4	5001219	Drive wheel 16" air, grey	2
5	5000180	Mudguard 14" drive wheel	2

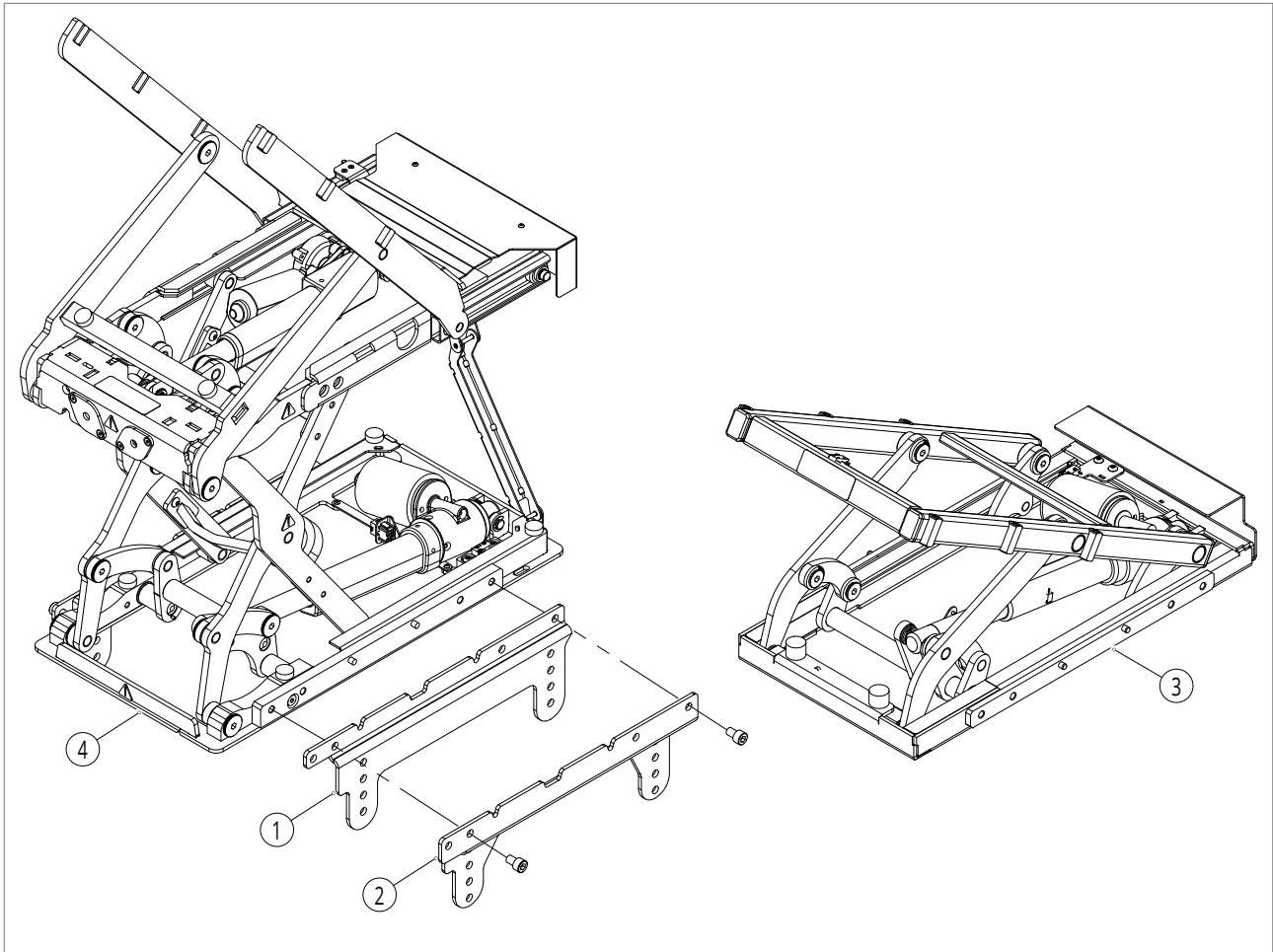
2. Interface

2.1. Manual tilt



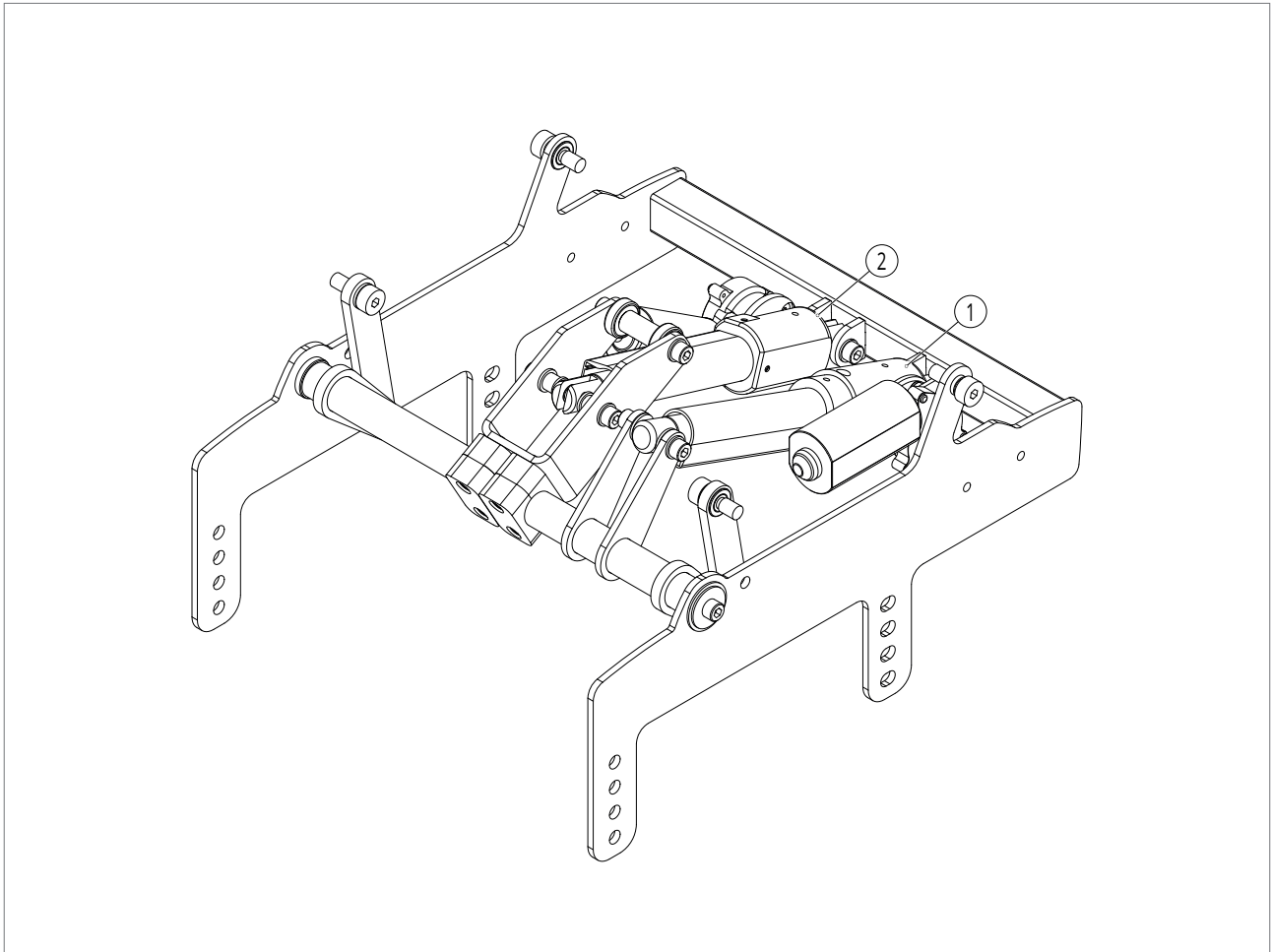
Pos no	Item no	Description	Per chair
1	5000192	SANGO advanced mounting plate FWD, right	1
1	5000193	SANGO advanced mounting plate FWD, left	1
2	5000194	SANGO advanced mounting plate RWD/MWD, right	1
2	5000195	SANGO advanced mounting plate RWD/MWD, left	1
3	5001158	SANGO slimline mounting plate RWD/MWD, right	1
3	5001159	SANGO slimline mounting plate RWD/MWD, left	1
4	5001232	SANGO xxl mounting plate FWD (R=L)	1
5	5000196	Spacer bush 30 mm for seat height, 4 pieces	1

2.2. Advanced / slimline powered seat tilt and seat lift/tilt



Pos no	Item no	Description	Per chair
1	5000572	SANGO advanced mounting plate tilt/lift, left	1
1	5000573	SANGO advanced mounting plate tilt/lift, right	1
2	5001234	SANGO slimline mounting plate tilt/lift, left	1
2	5001235	SANGO slimline mounting plate tilt/lift, right	1
3	5000580	45° power tilt module	1
3	5000581	52° power tilt module	1
4	5000582	45° power tilt and seat lift module	1
4	5000583	52° power tilt and seat lift module	1
-	5000574	45° power tilt actuator for tilt module	1
-	5001375	From 26052020 45° power tilt actuator for tilt/lift module	1
-	5001374	52° power tilt actuator for tilt module	1
-	5001376	From 26052020 52° power tilt actuator for tilt/lift module	1
-	5001377	From 26052020 Power lift actuator (xxl)	1
-	5001381	Tilt inhibit cable version 2.0	1
-	5001380	Lift/tilt inhibit cable version 2.0	1
-	5000585	Micro switch cable for tilt module	1
-	5000586	Micro switch cable for lift/tilt module	1
-	5000985	Catapult actuator	1
-	5000986	Catapult, chair needs to be send to DIETZ Power	1
-	5000577	Till 26052020 45° power tilt actuator for tilt/lift module	1
-	5000578	Till 26052020 52° power tilt actuator for tilt/lift module	1
-	5000579	Till 26052020 Power lift actuator (xxl)	1

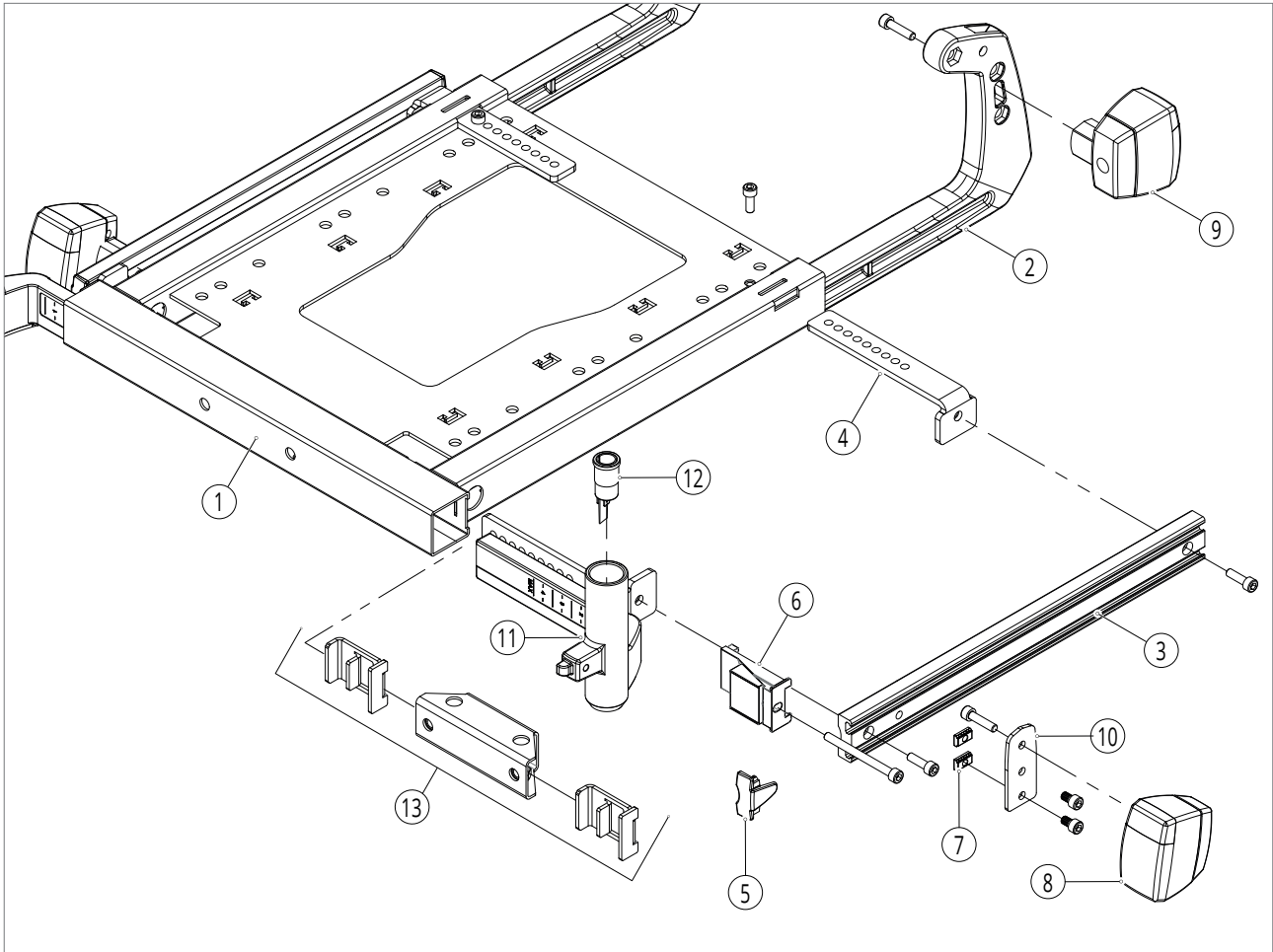
2.3. Xxl powered seat tilt and catapult



Pos no	Item no	Description	Per chair
1	5001236	25° power tilt actuator (xxl)	1
2	5001239	Catapult actuator (xxl)	1

3. Seating

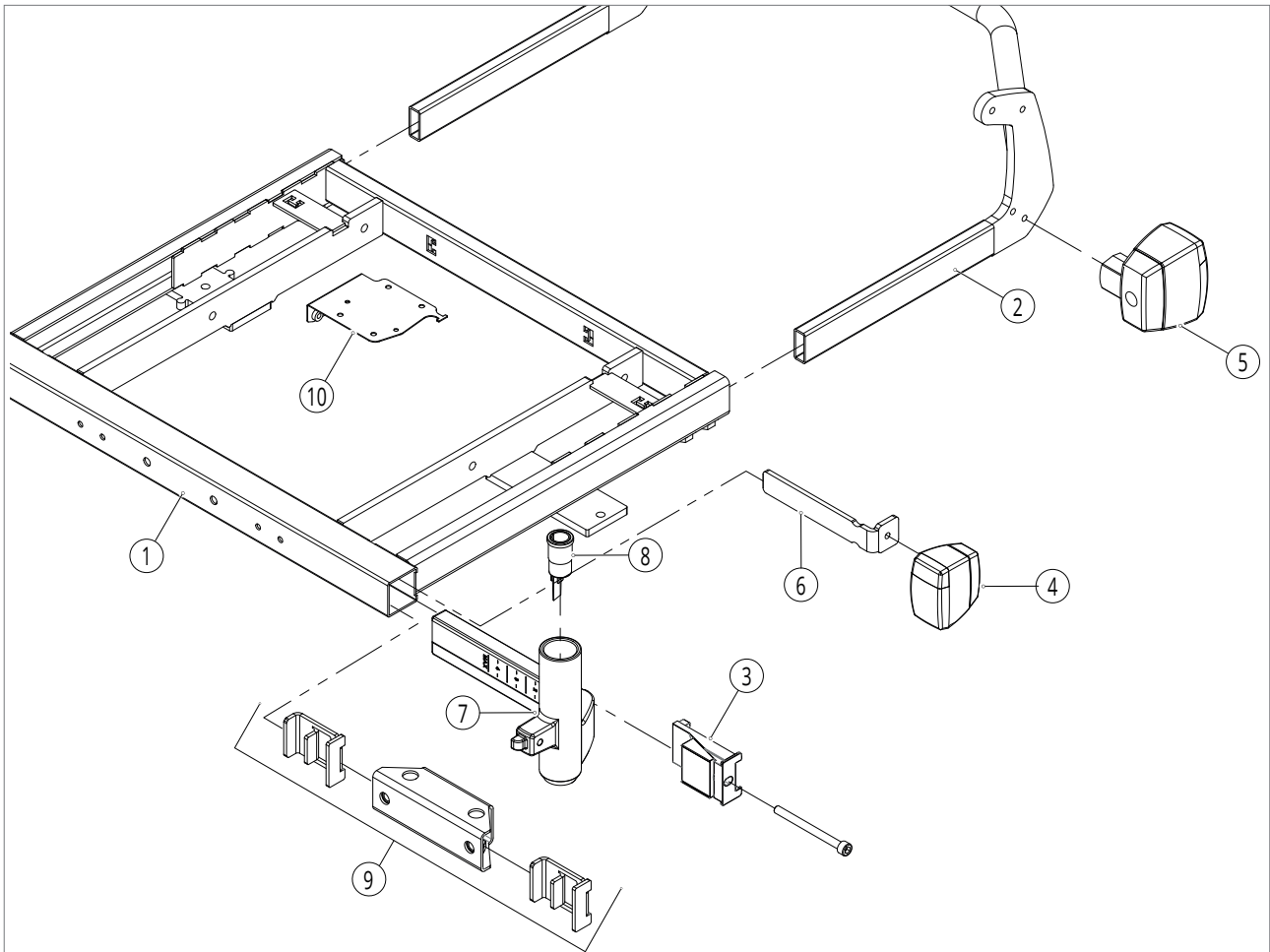
3.1. Advanced / slimline seat frame and lighting



Pos no	Item no	Description	Per chair
1	5000587	Seat frame base	1
2	5000588	Slider back frame	2
3	5000589	Seat mounting rail	2
4	5000590	Rail holder bracket	4
5	5000591	Rail end-cover, 4 pieces	1
6	5000592	Clamp block seat mounting rail / legrest	2
7	5000002	Casted clamp strip small, 10 pieces	1
7	5001202	Casted clamp strip long, 10 pieces	1
8	5000593	Head light E-mark incl. mounting material (without cables)	2
8	5000594	Head light K-mark incl. mounting material (without cables)	2
9	5000595	Tail light incl. mounting material (without cables)	2
8+9	5000035	LED lights & indicators E-Mark, set (without cables)	1
8+9	5000596	LED lights & indicators K-Mark (for Germany), set (without cables)	1
8+9	5001507	VR2 Lighting E-mark, incl. lighting module and cable	1
8+9	5001508	VR2 Lighting K-mark, incl. lighting module and cable	1
10	5000597	Extention bracket for head light	2
11	5000598	Receiver standard and angle adjustable legrest, right	1
11	5000599	Receiver standard and angle adjustable legrest, left	1
11	5001474	Receiver standard and angle adjustable legrest, for Catapult seat, right	1
11	5001475	Receiver standard and angle adjustable legrest, for Catapult seat, left	1
12	5000602	Power legrest connector plug	2
11+12	5000600	Receiver power legrest, right (when mounted on chair delivered before 15 January 2019, also order 5000709 lift-tilt cable long)	1

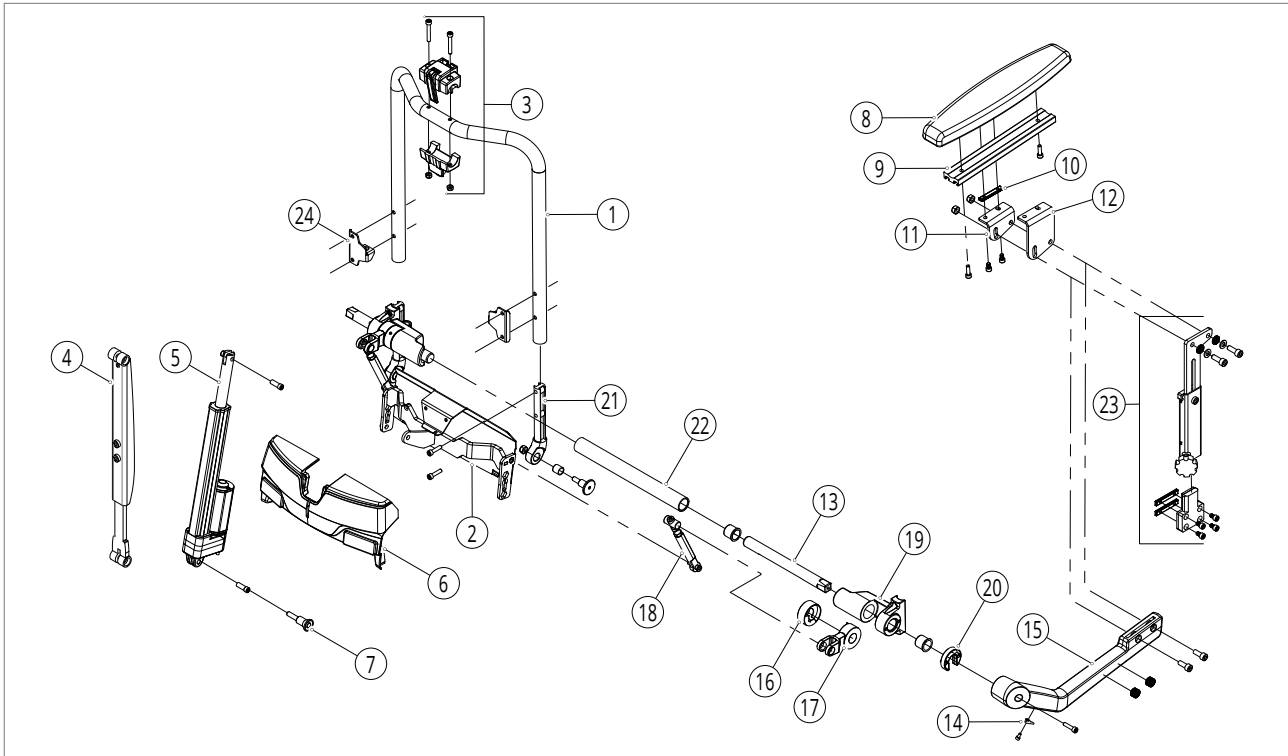
Pos no	Item no	Description	Per chair
11+12	5000601	Receiver power legrest, left (when mounted on chair delivered before 15 January 2019, also order 5000709 lift-tilt cable long)	1
11+12	5001476	Receiver power legrest, for Catapult seat, right	1
11+12	5001477	Receiver power legrest, for Catapult seat, left	1
13	5000871	Centre mount legrest mounting tube and fillblock	1

3.2. Xxl seat frame and lighting



Pos no	Item no	Description	Per chair
1	5001241	Seat frame base (xxl)	1
2	5001242	Slider back frame (xxl)	2
3	5000592	Clamp block seat mounting rail / legrest	2
4	5000593	Head light E-mark incl. mounting material (without cables)	2
4	5000594	Head light K-mark incl. mounting material (without cables)	2
5	5000595	Tail light incl. mounting material (without cables)	2
4+5	5000035	LED lights & indicators E-Mark, set (without cables)	1
4+5	5000596	LED lights & indicators K-Mark (for Germany), set (without cables)	1
4+5	5001507	VR2 Lighting E-mark, incl. lighting module and cable	1
4+5	5001508	VR2 Lighting K-mark, incl. lighting module and cable	1
6	5001243	Light bracket (xxl)	2
7	5000598	Receiver standard and angle adjustable legrest, right	1
7	5000599	Receiver standard and angle adjustable legrest, left	1
8	5000602	Power legrest connector plug	2
7+8	5000600	Receiver power legrest, right (when mounted on chair delivered before 15 January 2019, also order 5000709 lift-tilt cable long)	1
7+8	5000601	Receiver power legrest, left (when mounted on chair delivered before 15 January 2019, also order 5000709 lift-tilt cable long)	1
9	5000871	Centre mount legrest mounting tube and fillblock	1
10	5001245	ISM mounting bracket	1

3.3. Advanced / slimline backrest frame and armrests

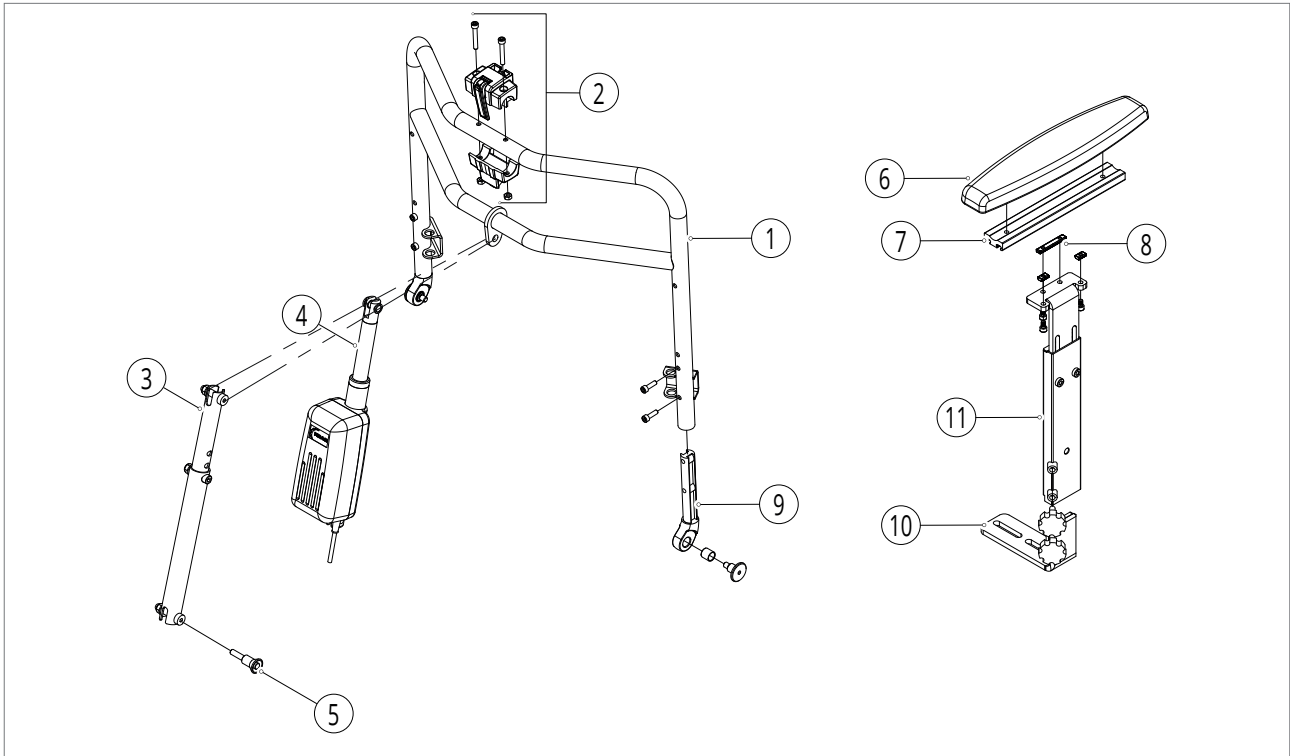


Pos no	Item no	Description	Per chair
1	5000603	Backrest frame tube	1
2	5000604	Backrest recline mounting / ISM mounting bracket	1
3	5000605	Backrest recline mounting / headrest receiver block	1
4	5000606	Manual adjustable recline (tool)	1
-	5000607	Manual adjustable recline (gas strut)	1
5	5000608	Powered backrest actuator 30° short cable	1
5	5000609	Powered backrest actuator 30° long cable	1
5	5000610	Powered backrest actuator 45°	1
-	5001345	Powered backrest 45°, complete	1
6	5000611	Cover ISM module	1
7	5000612	Quick release pin 8mm x 20 mm	1
8	5000034	Armpad PU incl. mounting (R=L)	2
8	5000626	Armpad upholstered, 30 cm incl. mounting (R=L)	2
8	5000627	Armpad upholstered, 40 cm incl. mounting (R=L)	2
-	5001162	Armpad P-shape upholstered 40 cm, right	1
-	5001163	Armpad P-shape upholstered 40 cm, left	1
-	5000851	Hemiplegia armrest (R=L)	1
9	5000952	Armrest mounting rail	2
10	5001202	Casted clamp strip long, 10 pieces	1
11	5000624	Armrest pad angle adjustment bracket, right	1
11	5000625	Armrest pad angle adjustment bracket, left	1
12	5001200	Armrest raiser 40 mm, right	1
12	5001274	Armrest raiser 40 mm, left	1
13	5000615	Armrest shaft (R=L)	1
14	5000953	Plate cable support armrest, 10 pieces	3
15	5000613	Armrest, right	1
15	5000614	Armrest, left	1
16	5000616	Width adjustment angle blocking	2
17	5000617	Lever angle adjustment	2
18	5000618	Armrest height adjustment	2

Seating

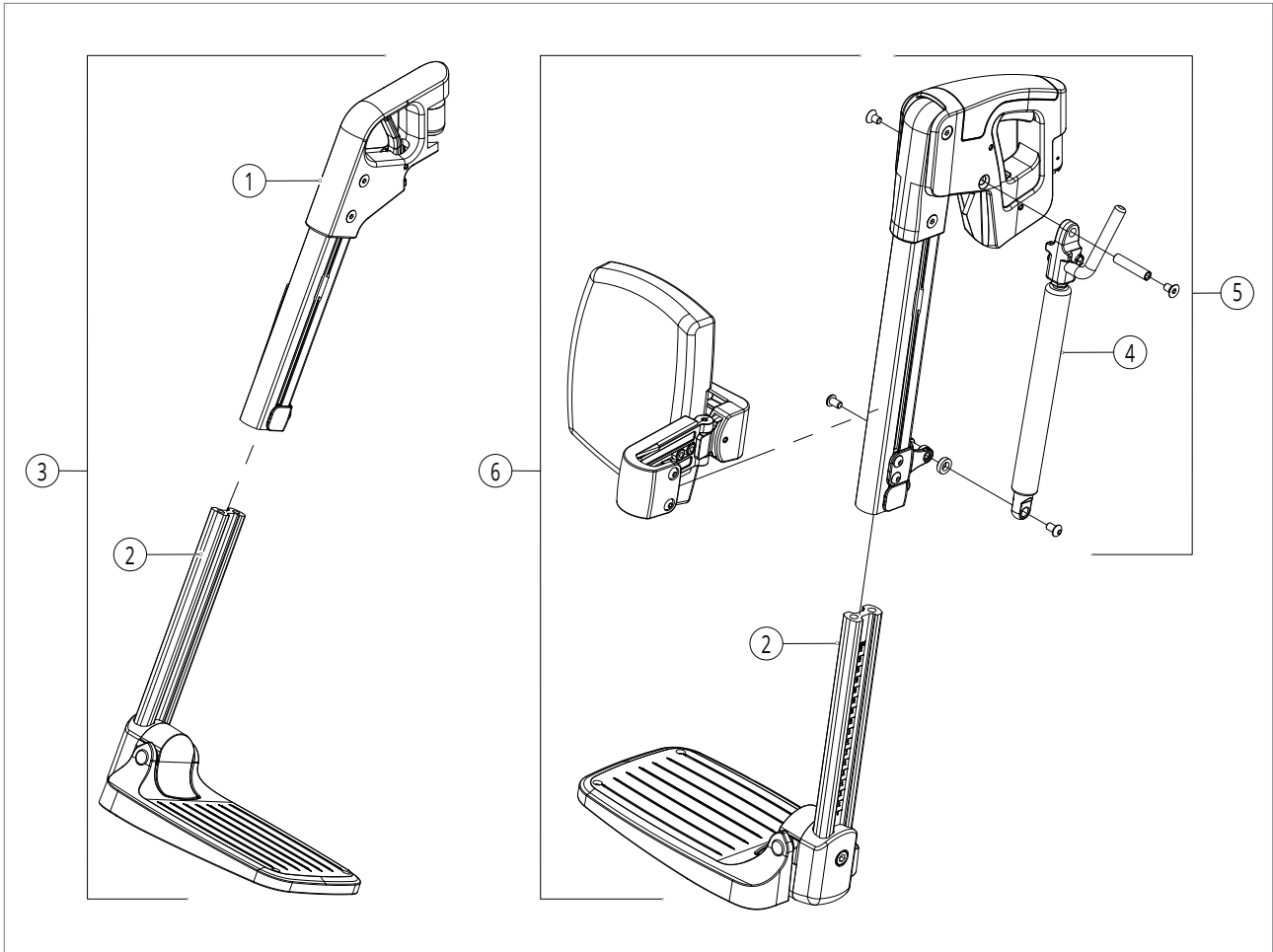
Pos no	Item no	Description	Per chair
19	5000619	Armrest hinge	2
20	5000989	Fill rings, 10 pieces	-
21	5000620	Hinge back frame bottom	2
22	5000622	Tube armrest red	1
22	5000621	Tube armrest blue	1
22	5000623	Tube armrest gold	1
22	5001214	Tube armrest black	1
22	5001452	Tube armrest white	1
23	5001155	Comfort armrest detachable, set	1
23	5001246	Comfort armrest detachable, right	1
23	5001247	Comfort armrest detachable, left	1
23	5001154	Junior armrest detachable, set	1
23	5001250	Junior armrest detachable, right	1
23	5001251	Junior armrest detachable, left	1
24	5001264	Mounting plate backrest cushion, needed with detachable armrests, set	1

3.4. Xxl backrest frame and armrests



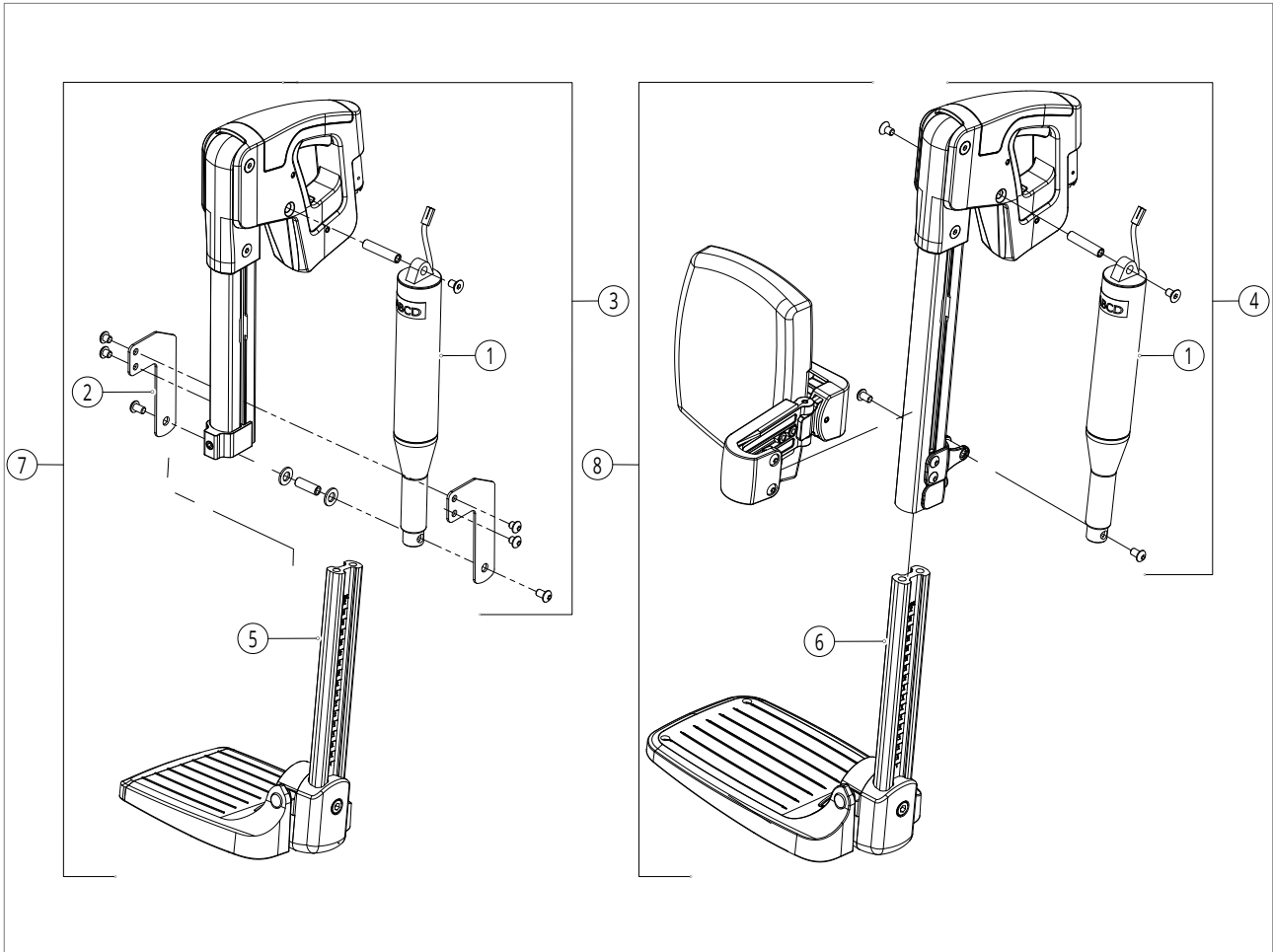
Pos no	Item no	Description	Per chair
1	5001254	Backrest frame tube (xxl)	1
2	5000605	Backrest recline mounting / headrest receiver block	1
3	5001255	Manual adjustable recline (tool) (xxl)	1
-	5001256	Manual adjustable recline (gas strut) (xxl)	1
4	5001257	Powered backrest actuator 30° (xxl)	1
5	5001259	Quick release pin 8mm x 20 mm (xxl)	1
6	5000034	Armpad PU incl. mounting (R=L)	2
6	5000626	Armpad upholstered, 30 cm incl. mounting (R=L)	2
6	5000627	Armpad upholstered, 40 cm incl. mounting (R=L)	2
-	5001162	Armpad P-shape upholstered 40 cm, right	1
-	5001163	Armpad P-shape upholstered 40 cm, left	1
7	5000952	Armrest mounting rail	2
8	5001202	Casted clamp strip long, 10 pieces	1
9	5000620	Hinge back frame bottom	2
10	5001260	Armrest receiver (R=L)	2
11	5001313	Xxl armrest detachable, right	1
11	5001314	Xxl armrest detachable, left	1

3.5. Standard / comfort legrest



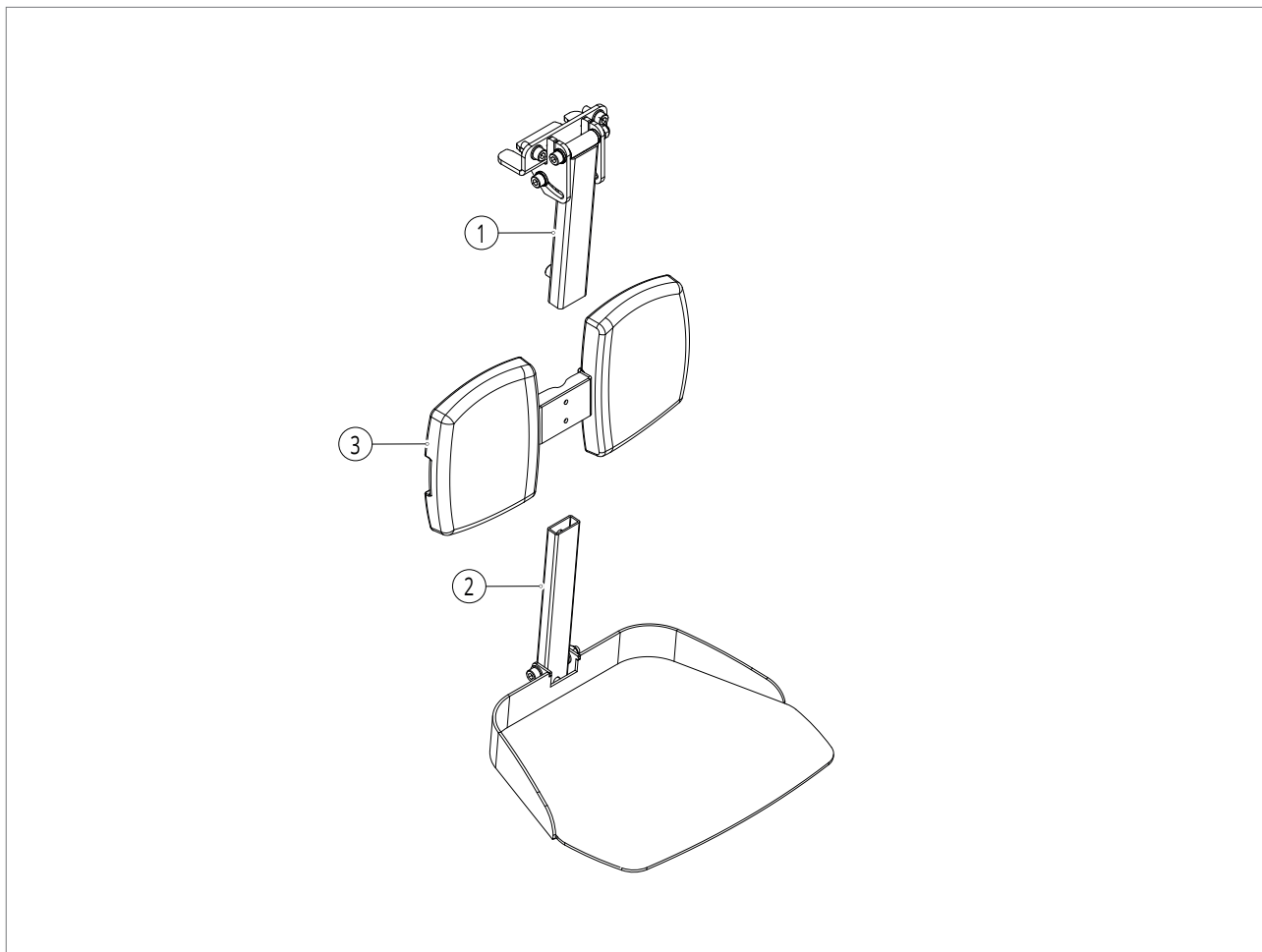
Pos no	Item no	Description	Per chair
1	5001466	Junior footrest upper part, right	1
1	5001467	Junior footrest upper part, left	1
1	5001149	Footrest upper part, right	1
1	5001150	Footrest upper part, left	1
2	5001490	Junior footrest lower part, footplate small	1
2	5000630	Footrest lower part, footplate small	1
2	5000631	Footrest lower part, footplate large	1
3	5001488	Junior footrest with footplate small, right	1
3	5001489	Junior footrest with footplate small, left	1
3	5000020	Footrest with footplate small, right	1
3	5000021	Footrest with footplate small, left	1
3	5000632	Footrest with footplate large, right	1
3	5000633	Footrest with footplate large, left	1
4	5000636	Gaspring for angle adjustable legrest	1
5	5000634	Angle adjustable legrest upper part, incl. gaspring and lever, right	1
5	5000635	Angle adjustable legrest upper part, incl. gaspring and lever, left	1
6	5000015	Angle adjustable legrest with PU calf plate, footplate small, right	1
6	5000016	Angle adjustable legrest with PU calf plate, footplate small, left	1
6	5000637	Angle adjustable legrest with PU calf plate, footplate large, right	1
6	5000638	Angle adjustable legrest with PU calf plate, footplate large, left	1
-	-	Calf plates and legrest accessories see drawing 3.9	-
-	-	For SANGO xxl parts please contact DIETZ Power	-

3.6. Powered articulating legrest



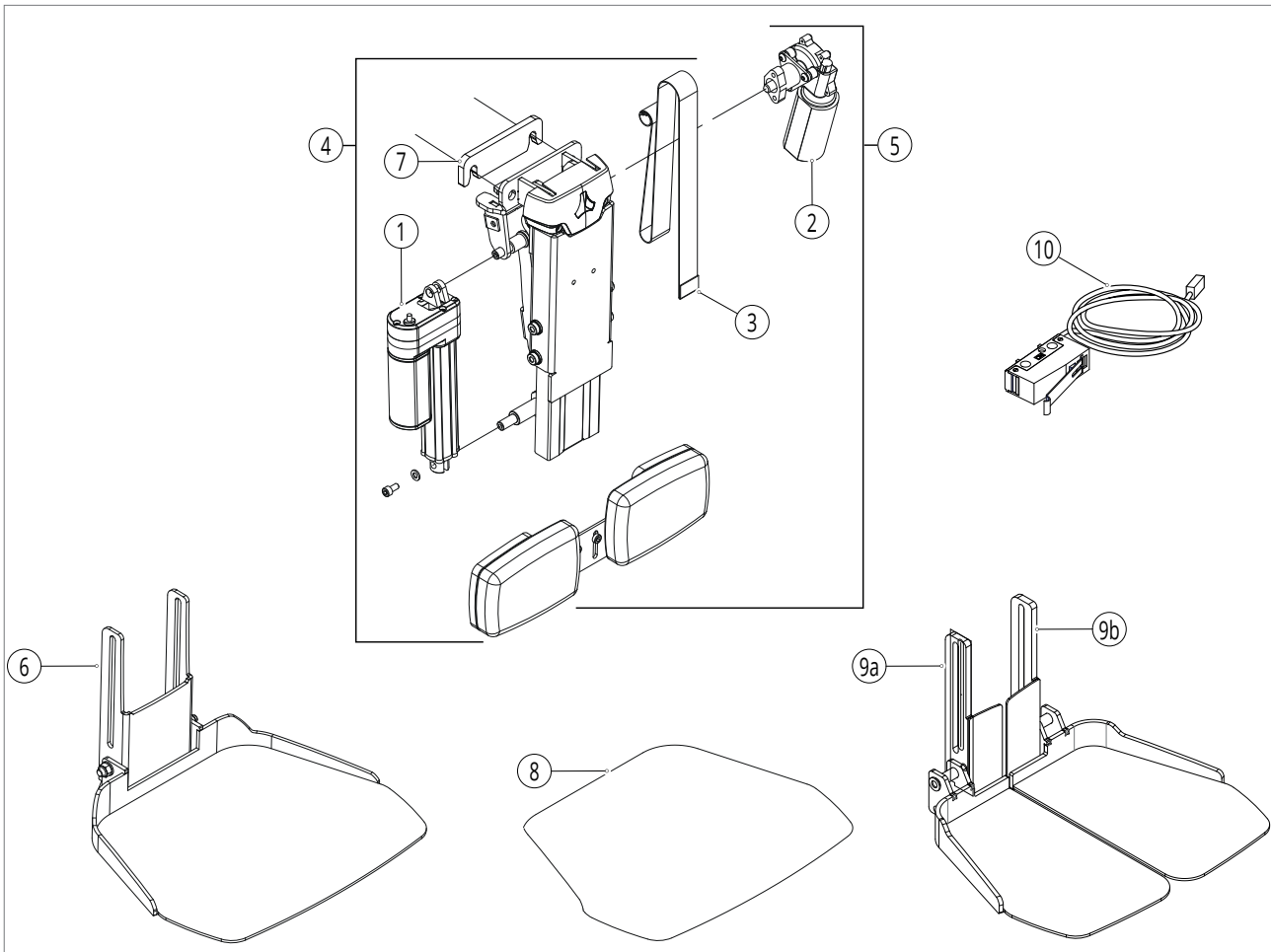
Pos no	Item no	Description	Per chair
1	5000645	Actuator for powered legrest	1
2	5001465	Bracket for mounting actuator on junior legrest	2
3	5001468	Junior powered legrest upper part, right	1
3	5001469	Junior powered legrest upper part, left	1
4	5000639	Powered legrest upper part, right	1
4	5000640	Powered legrest upper part, left	1
5	5001490	Junior footrest lower part, footplate small	1
6	5000630	Footrest lower part, footplate small	1
6	5000631	Footrest lower part, footplate large	1
7	5001470	Junior powered legrest with PU calf plates, footplate small, right	1
7	5001471	Junior powered legrest with PU calf plates, footplate small, left	1
8	5000641	Powered legrest with PU calf plates, footplate small, right	1
8	5000642	Powered legrest with PU calf plates, footplate small, left	1
8	5000643	Powered legrest with PU calf plates, footplate large, right	1
8	5000644	Powered legrest with PU calf plates, footplate large, left	1
-	-	Calf plates and legrest accessories see drawing 3.9	-

3.7. Mechanical centre mount legrest



Pos no	Item no	Description	Per chair
1	5000647	Mechanical centre mount legrest, upper part	1
1	5001382	Mechanical centre mount legrest, upper part Junior	1
2	5000955	Mechanical centre mount legrest, lower part with footplate Junior	1
2	5000648	Mechanical centre mount legrest, lower part with footplate 24 cm (advanced)	1
2	5000971	Mechanical centre mount legrest, lower part with footplate 15 cm (slimline)	1
2	5000954	Mechanical centre mount legrest, lower part with footplate 18 cm (slimline)	1
2	5000956	Mechanical centre mount legrest, lower part with footplate SANGO xxl	1
3	5000649	Calf plate bracket	1
-	-	Calf plates and legrest accessories see drawing 3.9	-

3.8. Powered centre mount legrest

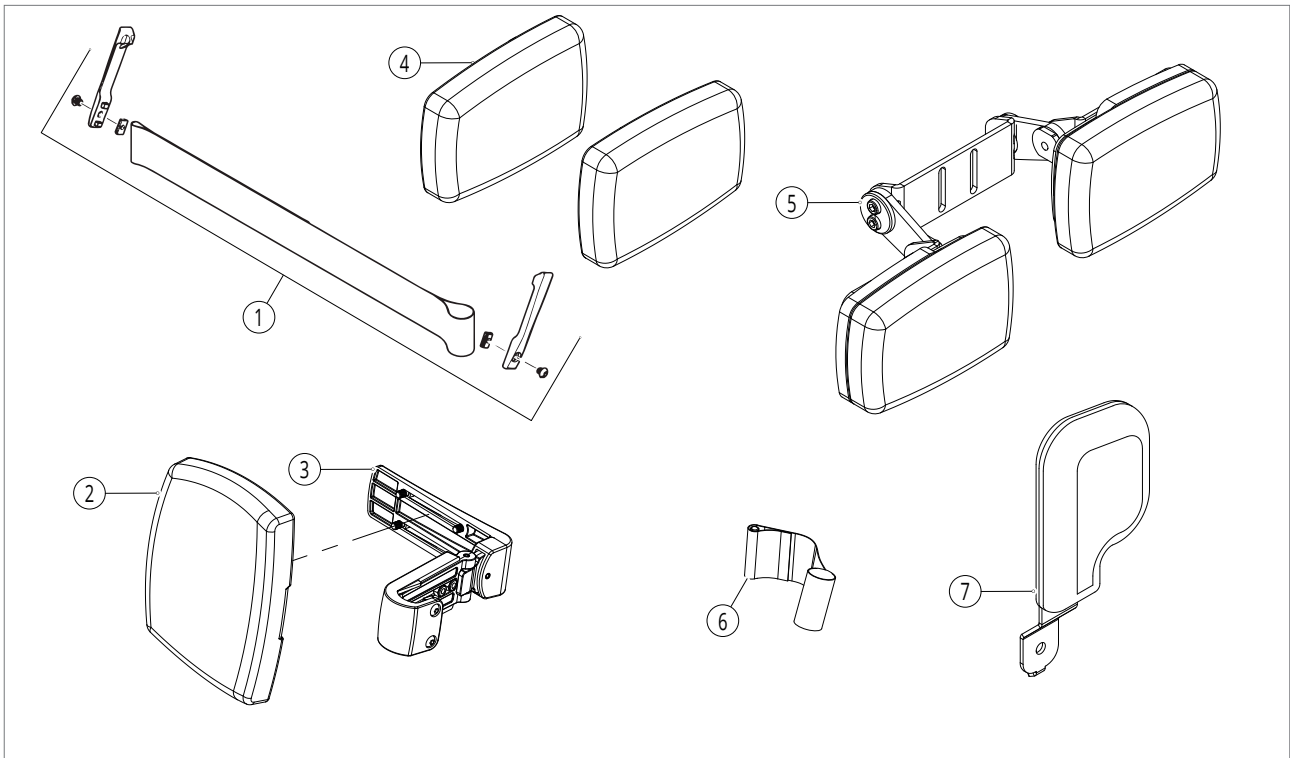


Pos no	Item no	Description	Per chair
1	5000650	FWD/MWD Powered centre mount legrest, angle actuator	1
1	5001297	RWD Powered centre mount legrest, angle actuator	1
2	5000651	Powered centre mount legrest, length motor	1
3	5000652	Powered centre mount legrest belt	1
4	5001286	Junior FWD/MWD Powered centre mount legrest, upper part, incl. calf plates	1
4	5001188	FWD/MWD Powered centre mount legrest, upper part, incl. calf plates	1
4	5001287	Junior RWD Powered centre mount legrest, upper part, incl. calf plates	1
4	5001282	RWD Powered centre mount legrest, upper part, incl. calf plates	1
4	5001284	SANGO xxl Powered centre mount legrest, upper part, incl. calf plates	1
5	5001189	FWD/MWD Powered centre mount Transfer legrest, upper part, incl. calf plates	1
5	5001283	RWD Powered centre mount Transfer legrest, upper part, incl. calf plates	1
5	5001285	SANGO xxl Powered centre mount Transfer legrest, upper part, incl. calf plates	1
5	5001326	FWD/MWD Powered centre mount Transfer legrest, independent, upper part, incl. calf plates	1
5	5001327	RWD Powered centre mount Transfer legrest, independent, upper part, incl. calf plates	1
5	5001328	SANGO xxl Powered centre mount Transfer legrest, independent, upper part, incl. calf plates	1
6	5001193	Powered centre mount legrest, lower part with footplate 15 cm Junior	1

Seating

Pos no	Item no	Description	Per chair
6	5001190	Powered centre mount legrest, lower part with footplate 24 cm (advanced)	1
6	5001191	Powered centre mount legrest, lower part with footplate 15 cm (slimline)	1
6	5001192	Powered centre mount legrest, lower part with footplate 18 cm (slimline)	1
6	5001194	Powered centre mount legrest, lower part with footplate 34 cm SANGO xxl	1
7	5001195	Fillblock centre mount legrest SANGO xxl, 2 pieces	1
-	5001329	Footplate rollers	1
8	5001330	Foam layer centre mount footplate 15 cm Junior	1
8	5001331	Foam layer centre mount footplate 24 cm (advanced)	1
8	5001332	Foam layer centre mount footplate 15 cm (slimline)	1
8	5001333	Foam layer centre mount footplate 18 cm (slimline)	1
8	5001334	Foam layer centre mount footplate 34 cm SANGO xxl	1
9a	5001478	Split footplates SANGO advanced, right	1
9b	5001479	Split footplates SANGO advanced, left	1
9a+b	5001306	Split footplates SANGO advanced, set	1
10	5000992	Inhibit switch for powered centre mount Transfer legrest 90°	1
-	5001335	Inhibit cables power centre mount Transfer legrest till SN0121657, June 2020	1
-	5001278	Inhibit cable power centre mount Transfer legrest from SN0121657, June 2020	1
-	5001276	Brake circuit	1
-	-	Calf plates and legrest accessories see drawing 3.9	-
-			-
-		Legrest version till 26-7-2019	-
-	5000973	Till 26072019 Powered centre mount legrest, upper part, incl. calf plates	1
-	5000974	Till 26072019 Powered centre mount Transfer legrest, upper part, incl. calf plates	1
-	5000961	Till 26072019 Powered centre mount legrest, lower part with footplate 24 cm (advanced)	1
-	5000962	Till 26072019 Powered centre mount legrest, lower part with footplate 15 cm (slimline)	1
-	5000963	Till 26072019 Powered centre mount legrest, lower part with footplate 18 cm (slimline)	1
-	5000964	Till 26072019 Powered centre mount legrest, lower part with footplate 15 cm Junior	1

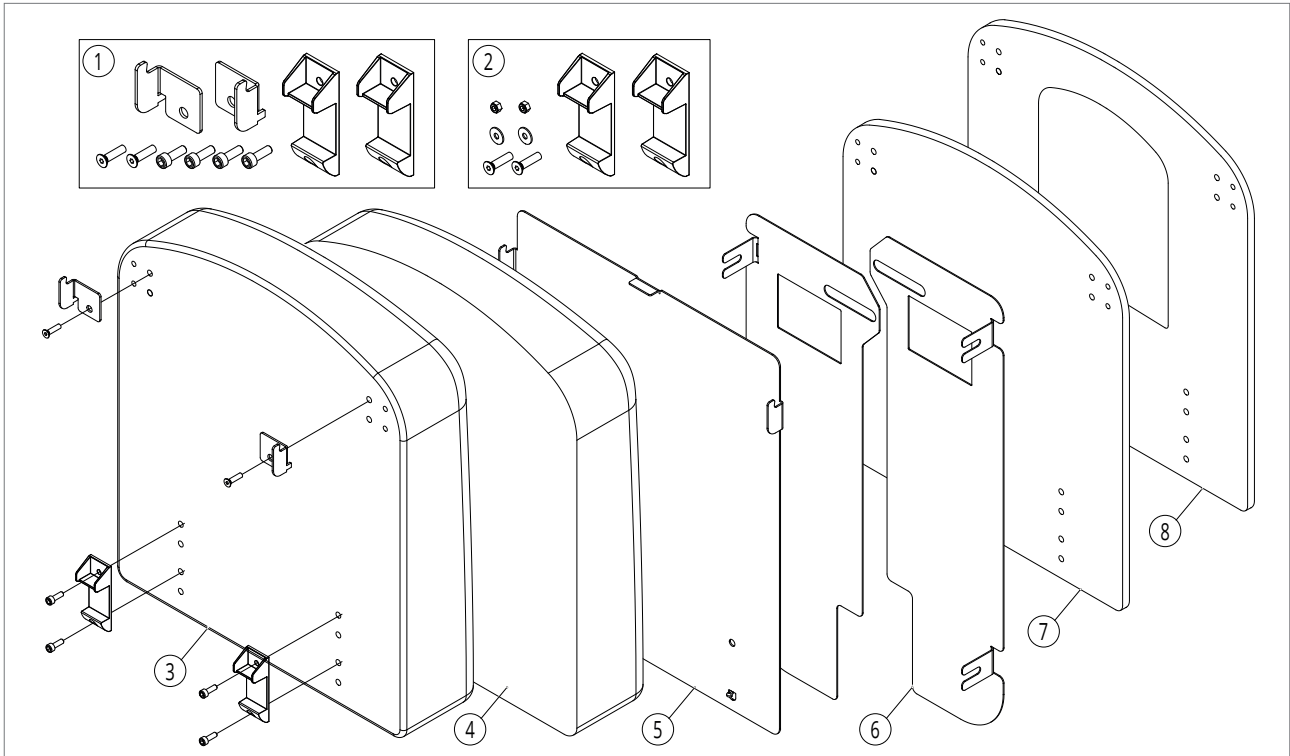
3.9. Legrest accessories



Pos no	Item no	Description	Per chair
1	5000011	Calf Strap	1
1	5000037	Calf Strap (xxl)	1
2	5000656	Upholstered calf plate, set	2
2	5000658	PU calf plate	2
3	5000660	Calf plate bracket, depth adjustable	2
4	5001339	Powered centre mount calf plate cushion, set	1
5	5001307	Calf plate bracket, depth adjustable for (powered) centre mount legrest	1
6	5000012	Heel support (R=L)	2
-	5000661	Toe strap (R=L)	2
7	5000662	Knee pad incl. mounting, right	1
7	5000663	Knee pad incl. mounting, left	1
-	5000664	SPECIAL: Amputation Support, right	1
-	5000665	SPECIAL: Amputation Support, left	1

4. Upholstery

4.1. Seat cushions



Pos no	Item no	Description	Per chair
1	5000197	Seat cushion mounting	1
2	5000990	Metal seat plate mounting	1
		Seat cushion with integrated wooden base	
3	5000999	Contour seat (vinyl) 32x30	1
3	5001000	Contour seat (vinyl) 37x30	1
3	5001001	Contour seat (vinyl) 32x35	1
3	5001002	Contour seat (vinyl) 37x35	1
3	5001003	Contour seat (vinyl) 32x40	1
3	5001004	Contour seat (vinyl) 37x40	1
3	5000204	Contour seat (vinyl) 42x48	1
3	5000205	Contour seat (vinyl) 44x48	1
3	5000206	Contour seat (vinyl) 46x48	1
3	5000207	Contour seat (vinyl) 48x48	1
3	5000208	Contour seat (vinyl) 50x48	1
3	5000209	Contour seat (vinyl) 52x48	1
3	5000210	Contour seat (vinyl) 54x48	1
3	5000211	Contour seat (vinyl) 60x48	1
3	5000212	Contour seat (vinyl) 64x48	1
3	5000213	Contour seat (vinyl) 42x55	1
3	5000214	Contour seat (vinyl) 44x55	1
3	5000215	Contour seat (vinyl) 46x55	1
3	5000216	Contour seat (vinyl) 48x55	1
3	5000217	Contour seat (vinyl) 50x55	1
3	5000218	Contour seat (vinyl) 52x55	1
3	5000219	Contour seat (vinyl) 54x55	1
3	5000220	Contour seat (vinyl) 60x55	1
3	5000221	Contour seat (vinyl) 64x55	1
3	5001005	Contour seat (air) 32x30	1
3	5001006	Contour seat (air) 37x30	1
3	5001007	Contour seat (air) 32x35	1
3	5001008	Contour seat (air) 37x35	1

Pos no	Item no	Description	Per chair
3	5001009	Contour seat (air) 32x40	1
3	5001010	Contour seat (air) 37x40	1
3	5000222	Contour seat (air) 42x48	1
3	5000223	Contour seat (air) 44x48	1
3	5000224	Contour seat (air) 46x48	1
3	5000225	Contour seat (air) 48x48	1
3	5000226	Contour seat (air) 50x48	1
3	5000227	Contour seat (air) 52x48	1
3	5000228	Contour seat (air) 54x48	1
3	5000229	Contour seat (air) 60x48	1
3	5000230	Contour seat (air) 64x48	1
3	5000231	Contour seat (air) 42x55	1
3	5000232	Contour seat (air) 44x55	1
3	5000233	Contour seat (air) 46x55	1
3	5000234	Contour seat (air) 48x55	1
3	5000235	Contour seat (air) 50x55	1
3	5000236	Contour seat (air) 52x55	1
3	5000237	Contour seat (air) 54x55	1
3	5000238	Contour seat (air) 60x55	1
3	5000239	Contour seat (air) 64x55	1
3	5000240	Contour partially strapped seat (air) 42x48	1
3	5000241	Contour partially strapped seat (air) 44x48	1
3	5000242	Contour partially strapped seat (air) 46x48	1
3	5000243	Contour partially strapped seat (air) 48x48	1
3	5000244	Contour partially strapped seat (air) 50x48	1
3	5000245	Contour partially strapped seat (air) 52x48	1
3	5000246	Contour partially strapped seat (air) 54x48	1
3	5000247	Contour partially strapped seat (air) 60x48	1
3	5000248	Contour partially strapped seat (air) 64x48	1
3	5000249	Contour partially strapped seat (air) 42x55	1
3	5000250	Contour partially strapped seat (air) 44x55	1
3	5000251	Contour partially strapped seat (air) 46x55	1
3	5000252	Contour partially strapped seat (air) 48x55	1
3	5000253	Contour partially strapped seat (air) 50x55	1
3	5000254	Contour partially strapped seat (air) 52x55	1
3	5000255	Contour partially strapped seat (air) 54x55	1
3	5000256	Contour partially strapped seat (air) 60x55	1
3	5000257	Contour partially strapped seat (air) 64x55	1
3	5000258	Contour partially strapped seat (stretchrubber) 42x48	1
3	5000259	Contour partially strapped seat (stretchrubber) 44x48	1
3	5000260	Contour partially strapped seat (stretchrubber) 46x48	1
3	5000261	Contour partially strapped seat (stretchrubber) 48x48	1
3	5000262	Contour partially strapped seat (stretchrubber) 50x48	1
3	5000263	Contour partially strapped seat (stretchrubber) 52x48	1
3	5000264	Contour partially strapped seat (stretchrubber) 54x48	1
3	5000265	Contour partially strapped seat (stretchrubber) 60x48	1
3	5000266	Contour partially strapped seat (stretchrubber) 64x48	1
3	5000267	Contour partially strapped seat (stretchrubber) 42x55	1
3	5000268	Contour partially strapped seat (stretchrubber) 44x55	1
3	5000269	Contour partially strapped seat (stretchrubber) 46x55	1
3	5000270	Contour partially strapped seat (stretchrubber) 48x55	1
3	5000271	Contour partially strapped seat (stretchrubber) 50x55	1
3	5000272	Contour partially strapped seat (stretchrubber) 52x55	1
3	5000273	Contour partially strapped seat (stretchrubber) 54x55	1
3	5000274	Contour partially strapped seat (stretchrubber) 60x55	1
3	5000275	Contour partially strapped seat (stretchrubber) 64x55	1
3	5001023	Anatomic formed seat (air) 32x30	1
3	5001024	Anatomic formed seat (air) 37x30	1

Upholstery

Pos no	Item no	Description	Per chair
3	5001025	Anatomic formed seat (air) 32x35	1
3	5001026	Anatomic formed seat (air) 37x35	1
3	5001027	Anatomic formed seat (air) 32x40	1
3	5001028	Anatomic formed seat (air) 37x40	1
3	5000276	Anatomic Formed seat (air) 42x48	1
3	5000277	Anatomic Formed seat (air) 44x48	1
3	5000278	Anatomic Formed seat (air) 46x48	1
3	5000279	Anatomic Formed seat (air) 48x48	1
3	5000280	Anatomic Formed seat (air) 50x48	1
3	5000281	Anatomic Formed seat (air) 52x48	1
3	5000282	Anatomic Formed seat (air) 54x48	1
3	5000283	Anatomic Formed seat (air) 60x48	1
3	5000284	Anatomic Formed seat (air) 64x48	1
3	5000285	Anatomic Formed seat (air) 42x55	1
3	5000286	Anatomic Formed seat (air) 44x55	1
3	5000287	Anatomic Formed seat (air) 46x55	1
3	5000288	Anatomic Formed seat (air) 48x55	1
3	5000289	Anatomic Formed seat (air) 50x55	1
3	5000290	Anatomic Formed seat (air) 52x55	1
3	5000291	Anatomic Formed seat (air) 54x55	1
3	5000292	Anatomic Formed seat (air) 60x55	1
3	5000293	Anatomic Formed seat (air) 64x55	1
3	5001029	Anatomic formed seat (stretchrubber) 32x30	1
3	5001030	Anatomic formed seat (stretchrubber) 37x30	1
3	5001031	Anatomic formed seat (stretchrubber) 32x35	1
3	5001032	Anatomic formed seat (stretchrubber) 37x35	1
3	5001033	Anatomic formed seat (stretchrubber) 32x40	1
3	5001034	Anatomic formed seat (stretchrubber) 37x40	1
3	5000294	Anatomic Formed seat (stretchrubber) 42x48	1
3	5000295	Anatomic Formed seat (stretchrubber) 44x48	1
3	5000296	Anatomic Formed seat (stretchrubber) 46x48	1
3	5000297	Anatomic Formed seat (stretchrubber) 48x48	1
3	5000298	Anatomic Formed seat (stretchrubber) 50x48	1
3	5000299	Anatomic Formed seat (stretchrubber) 52x48	1
3	5000300	Anatomic Formed seat (stretchrubber) 54x48	1
3	5000301	Anatomic Formed seat (stretchrubber) 60x48	1
3	5000302	Anatomic Formed seat (stretchrubber) 64x48	1
3	5000303	Anatomic Formed seat (stretchrubber) 42x55	1
3	5000304	Anatomic Formed seat (stretchrubber) 44x55	1
3	5000305	Anatomic Formed seat (stretchrubber) 46x55	1
3	5000306	Anatomic Formed seat (stretchrubber) 48x55	1
3	5000307	Anatomic Formed seat (stretchrubber) 50x55	1
3	5000308	Anatomic Formed seat (stretchrubber) 52x55	1
3	5000309	Anatomic Formed seat (stretchrubber) 54x55	1
3	5000310	Anatomic Formed seat (stretchrubber) 60x55	1
3	5000311	Anatomic Formed seat (stretchrubber) 64x55	1
3	5001035	Anatomic Formed Visco seat (air) 32x30	1
3	5001036	Anatomic Formed Visco seat (air) 37x30	1
3	5001037	Anatomic Formed Visco seat (air) 32x35	1
3	5001038	Anatomic Formed Visco seat (air) 37x35	1
3	5001039	Anatomic Formed Visco seat (air) 32x40	1
3	5001040	Anatomic Formed Visco seat (air) 37x40	1
3	5000312	Anatomic Formed Visco seat (air) 42x48	1
3	5000313	Anatomic Formed Visco seat (air) 44x48	1
3	5000314	Anatomic Formed Visco seat (air) 46x48	1
3	5000315	Anatomic Formed Visco seat (air) 48x48	1
3	5000316	Anatomic Formed Visco seat (air) 50x48	1
3	5000317	Anatomic Formed Visco seat (air) 52x48	1

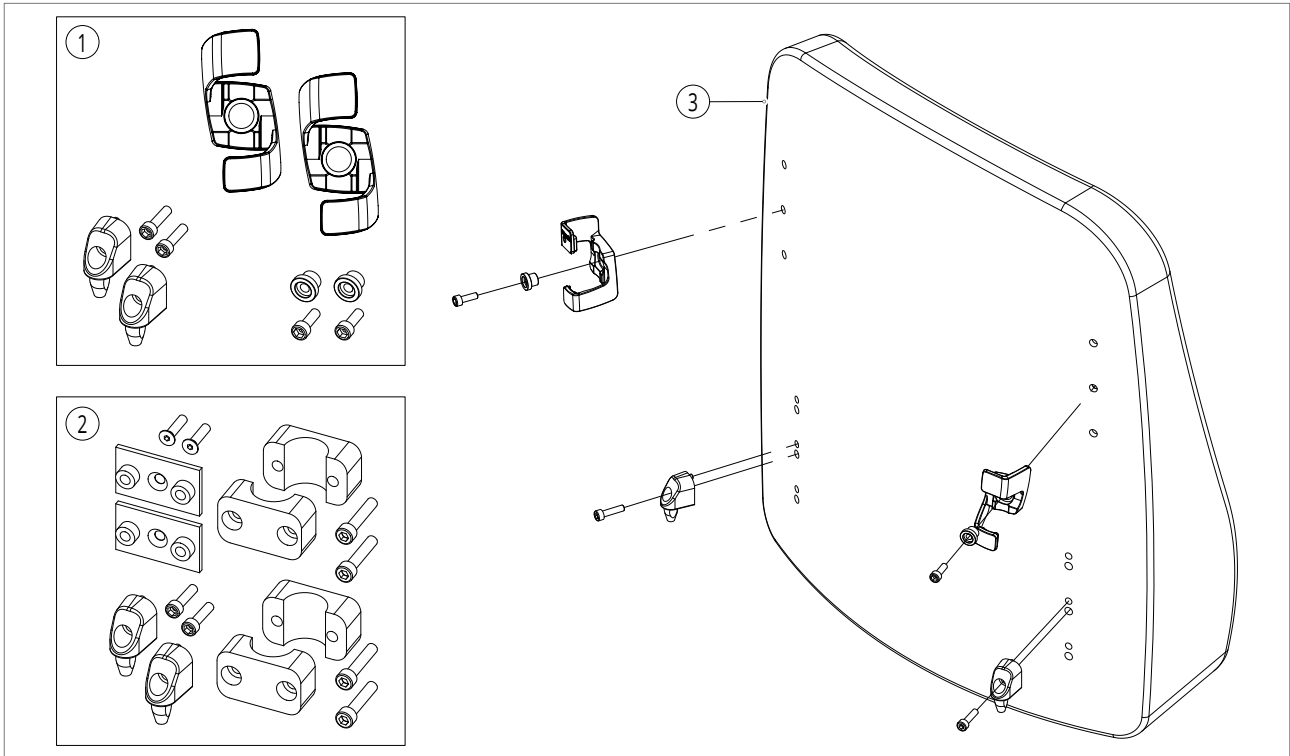
Pos no	Item no	Description	Per chair
3	5000318	Anatomic Formed Visco seat (air) 54x48	1
3	5000319	Anatomic Formed Visco seat (air) 60x48	1
3	5000320	Anatomic Formed Visco seat (air) 64x48	1
3	5000321	Anatomic Formed Visco seat (air) 42x55	1
3	5000322	Anatomic Formed Visco seat (air) 44x55	1
3	5000323	Anatomic Formed Visco seat (air) 46x55	1
3	5000324	Anatomic Formed Visco seat (air) 48x55	1
3	5000325	Anatomic Formed Visco seat (air) 50x55	1
3	5000326	Anatomic Formed Visco seat (air) 52x55	1
3	5000327	Anatomic Formed Visco seat (air) 54x55	1
3	5000328	Anatomic Formed Visco seat (air) 60x55	1
3	5000329	Anatomic Formed Visco seat (air) 64x55	1
3	5001041	Anatomic formed Visco seat (stretchrubber) 32x30	1
3	5001042	Anatomic formed Visco seat (stretchrubber) 37x30	1
3	5001043	Anatomic formed Visco seat (stretchrubber) 32x35	1
3	5001044	Anatomic formed Visco seat (stretchrubber) 37x35	1
3	5001045	Anatomic formed Visco seat (stretchrubber) 32x40	1
3	5001046	Anatomic formed Visco seat (stretchrubber) 37x40	1
3	5000330	Anatomic Formed Visco seat (stretchrubber) 42x48	1
3	5000331	Anatomic Formed Visco seat (stretchrubber) 44x48	1
3	5000332	Anatomic Formed Visco seat (stretchrubber) 46x48	1
3	5000333	Anatomic Formed Visco seat (stretchrubber) 48x48	1
3	5000334	Anatomic Formed Visco seat (stretchrubber) 50x48	1
3	5000335	Anatomic Formed Visco seat (stretchrubber) 52x48	1
3	5000336	Anatomic Formed Visco seat (stretchrubber) 54x48	1
3	5000337	Anatomic Formed Visco seat (stretchrubber) 60x48	1
3	5000338	Anatomic Formed Visco seat (stretchrubber) 64x48	1
3	5000339	Anatomic Formed Visco seat (stretchrubber) 42x55	1
3	5000340	Anatomic Formed Visco seat (stretchrubber) 44x55	1
3	5000341	Anatomic Formed Visco seat (stretchrubber) 46x55	1
3	5000342	Anatomic Formed Visco seat (stretchrubber) 48x55	1
3	5000343	Anatomic Formed Visco seat (stretchrubber) 50x55	1
3	5000344	Anatomic Formed Visco seat (stretchrubber) 52x55	1
3	5000345	Anatomic Formed Visco seat (stretchrubber) 54x55	1
3	5000346	Anatomic Formed Visco seat (stretchrubber) 60x55	1
3	5000347	Anatomic Formed Visco seat (stretchrubber) 64x55	1
		Seat cushion foam with velcro base	
4	5000878	Contour seat (air) 42x48, Velcro	1
4	5001400	Contour seat (air) 44x48, Velcro	1
4	5000879	Contour seat (air) 46x48, Velcro	1
4	5001401	Contour seat (air) 48x48, Velcro	1
4	5000880	Contour seat (air) 50x48, Velcro	1
4	5001402	Contour seat (air) 52x48, Velcro	1
4	5000881	Contour seat (air) 54x48, Velcro	1
4	5001385	Contour seat (air) 60x48, Velcro	1
4	5001386	Contour seat (air) 64x48, Velcro	1
4	5000882	Contour seat (air) 42x55, Velcro	1
4	5001404	Contour seat (air) 44x55, Velcro	1
4	5000883	Contour seat (air) 46x55, Velcro	1
4	5001405	Contour seat (air) 48x55, Velcro	1
4	5000884	Contour seat (air) 50x55, Velcro	1
4	5001406	Contour seat (air) 52x55, Velcro	1
4	5000885	Contour seat (air) 54x55, Velcro	1
4	5001387	Contour seat (air) 60x55, Velcro	1
4	5001388	Contour seat (air) 64x55, Velcro	1
4	5000886	Anatomic Formed seat (air) 42x48, Velcro	1
4	5001408	Anatomic Formed seat (air) 44x48, Velcro	1
4	5000887	Anatomic Formed seat (air) 46x48, Velcro	1

Upholstery

Pos no	Item no	Description	Per chair
4	5001409	Anatomic Formed seat (air) 48x48, Velcro	1
4	5000888	Anatomic Formed seat (air) 50x48, Velcro	1
4	5001410	Anatomic Formed seat (air) 52x48, Velcro	1
4	5000889	Anatomic Formed seat (air) 54x48, Velcro	1
4	5001389	Anatomic Formed seat (air) 60x48, Velcro	1
4	5001390	Anatomic Formed seat (air) 64x48, Velcro	1
4	5000890	Anatomic Formed seat (air) 42x55, Velcro	1
4	5001412	Anatomic Formed seat (air) 44x55, Velcro	1
4	5000891	Anatomic Formed seat (air) 46x55, Velcro	1
4	5001413	Anatomic Formed seat (air) 48x55, Velcro	1
4	5000892	Anatomic Formed seat (air) 50x55, Velcro	1
4	5001414	Anatomic Formed seat (air) 52x55, Velcro	1
4	5000893	Anatomic Formed seat (air) 54x55, Velcro	1
4	5001391	Anatomic Formed seat (air) 60x55, Velcro	1
4	5001392	Anatomic Formed seat (air) 64x55, Velcro	1
4	5000894	Anatomic Formed Visco seat (air) 42x48, Velcro	1
4	5001416	Anatomic Formed Visco seat (air) 44x48, Velcro	1
4	5000895	Anatomic Formed Visco seat (air) 46x48, Velcro	1
4	5001417	Anatomic Formed Visco seat (air) 48x48, Velcro	1
4	5000896	Anatomic Formed Visco seat (air) 50x48, Velcro	1
4	5001418	Anatomic Formed Visco seat (air) 52x48, Velcro	1
4	5000897	Anatomic Formed Visco seat (air) 54x48, Velcro	1
4	5001393	Anatomic Formed Visco seat (air) 60x48, Velcro	1
4	5001394	Anatomic Formed Visco seat (air) 64x48, Velcro	1
4	5000898	Anatomic Formed Visco seat (air) 42x55, Velcro	1
4	5001420	Anatomic Formed Visco seat (air) 44x55, Velcro	1
4	5000899	Anatomic Formed Visco seat (air) 46x55, Velcro	1
4	5001421	Anatomic Formed Visco seat (air) 48x55, Velcro	1
4	5000900	Anatomic Formed Visco seat (air) 50x55, Velcro	1
4	5001422	Anatomic Formed Visco seat (air) 52x55, Velcro	1
4	5000901	Anatomic Formed Visco seat (air) 54x55, Velcro	1
4	5001395	Anatomic Formed Visco seat (air) 60x55, Velcro	1
4	5001396	Anatomic Formed Visco seat (air) 64x55, Velcro	1
-	5001298	Overall stretchrubber seat cover SW=39 cm	1
-	5001299	Overall stretchrubber seat cover SW=42 cm	1
-	5001300	Overall stretchrubber seat cover SW=45 cm	1
-	5001301	Overall stretchrubber seat cover SW=48 cm	1
-	5001302	Overall stretchrubber seat cover SW=51 cm	1
-	5001303	Overall stretchrubber seat cover SW=54 cm	1
5	5000946	Metal seat plate 36x42	1
6	5001318	Widening plates for metal seat plate, SW ≥ 48 cm	1
7	5001047	Wooden seat plate 32x30	1
7	5001048	Wooden seat plate 37x30	1
7	5001049	Wooden seat plate 32x35	1
7	5001050	Wooden seat plate 37x35	1
7	5001051	Wooden seat plate 32x40	1
7	5001052	Wooden seat plate 37x40	1
7	5000198	Wooden seat plate 42x48	1
7	5000199	Wooden seat plate 46x48	1
7	5000200	Wooden seat plate 50x48	1
7	5000201	Wooden seat plate 42x55	1
7	5000202	Wooden seat plate 46x55	1
7	5000203	Wooden seat plate 50x55	1
7	5001053	Seat board (vinyl) 32x30	1
7	5001054	Seat board (vinyl) 37x30	1
7	5001055	Seat board (vinyl) 32x35	1
7	5001056	Seat board (vinyl) 37x35	1
7	5001057	Seat board (vinyl) 32x40	1

Pos no	Item no	Description	Per chair
7	5001058	Seat board (vinyl) 37x40	1
7	5000902	Seat board (vinyl) 42x48, Velcro	1
7	5001424	Seat board (vinyl) 44x48, Velcro	1
7	5000903	Seat board (vinyl) 46x48, Velcro	1
7	5001425	Seat board (vinyl) 48x48, Velcro	1
7	5000904	Seat board (vinyl) 50x48, Velcro	1
7	5001426	Seat board (vinyl) 52x48, Velcro	1
7	5000905	Seat board (vinyl) 54x48, Velcro	1
7	5001492	Seat board (vinyl) 60x48, Velcro	1
7	5001493	Seat board (vinyl) 64x48, Velcro	1
7	5000906	Seat board (vinyl) 42x55, Velcro	1
7	5001428	Seat board (vinyl) 44x55, Velcro	1
7	5000907	Seat board (vinyl) 46x55, Velcro	1
7	5001429	Seat board (vinyl) 48x55, Velcro	1
7	5000908	Seat board (vinyl) 50x55, Velcro	1
7	5001430	Seat board (vinyl) 52x55, Velcro	1
7	5000909	Seat board (vinyl) 54x55, Velcro	1
7	5001494	Seat board (vinyl) 60x55, Velcro	1
7	5001495	Seat board (vinyl) 64x55, Velcro	1
8	5000910	Seat board partially strapped (vinyl) 42x48, Velcro	1
8	5001432	Seat board partially strapped (vinyl) 44x48, Velcro	1
8	5000911	Seat board partially strapped (vinyl) 46x48, Velcro	1
8	5001433	Seat board partially strapped (vinyl) 48x48, Velcro	1
8	5000912	Seat board partially strapped (vinyl) 50x48, Velcro	1
8	5001434	Seat board partially strapped (vinyl) 52x48, Velcro	1
8	5000913	Seat board partially strapped (vinyl) 54x48, Velcro	1
8	5001496	Seat board partially strapped (vinyl) 60x48, Velcro	1
8	5001497	Seat board partially strapped (vinyl) 64x48, Velcro	1
8	5000914	Seat board partially strapped (vinyl) 42x55, Velcro	1
8	5001436	Seat board partially strapped (vinyl) 44x55, Velcro	1
8	5000915	Seat board partially strapped (vinyl) 46x55, Velcro	1
8	5001437	Seat board partially strapped (vinyl) 48x55, Velcro	1
8	5000916	Seat board partially strapped (vinyl) 50x55, Velcro	1
8	5001438	Seat board partially strapped (vinyl) 52x55, Velcro	1
8	5000917	Seat board partially strapped (vinyl) 54x55, Velcro	1
8	5001498	Seat board partially strapped (vinyl) 60x55, Velcro	1
8	5001499	Seat board partially strapped (vinyl) 64x55, Velcro	1
-	5001065	Threshold, front, 5 cm (vinyl) 32	1
-	5001066	Threshold, front, 5 cm (vinyl) 37	1
-	5000384	Threshold, front, 5 cm (vinyl) 42	1
-	5000385	Threshold, front, 5 cm (vinyl) 44	1
-	5000386	Threshold, front, 5 cm (vinyl) 46	1
-	5000387	Threshold, front, 5 cm (vinyl) 48	1
-	5000388	Threshold, front, 5 cm (vinyl) 50	1
-	5000389	Threshold, front, 5 cm (vinyl) 52	1
-	5000390	Threshold, front, 5 cm (vinyl) 54	1
-	5000391	Threshold, front, 5 cm (vinyl) 60	1
-	5000392	Threshold, front, 5 cm (vinyl) 64	1
-	5000393	Upholstered threshold, rear, 5 cm (vinyl)	1
-	5000394	Polyacrylic threshold, rear, 5 cm, depth adjustable (vinyl)	1

4.2. Backrest cushions



Pos no	Item no	Description	Per chair
1	5000395	Backrest cushion mounting	1
2	5000396	Flex backrest cushion mounting	1
3	5001067	Backrest contour (vinyl) 32x30	1
3	5001068	Backrest contour (vinyl) 37x30	1
3	5001069	Backrest contour (vinyl) 32x35	1
3	5001070	Backrest contour (vinyl) 37x35	1
3	5001071	Backrest contour (vinyl) 32x40	1
3	5001072	Backrest contour (vinyl) 37x40	1
3	5000397	Backrest contour (vinyl) 42x50	1
3	5000398	Backrest contour (vinyl) 44x50	1
3	5000399	Backrest contour (vinyl) 46x50	1
3	5000400	Backrest contour (vinyl) 48x50	1
3	5000401	Backrest contour (vinyl) 50x50	1
3	5000402	Backrest contour (vinyl) 52x50	1
3	5000403	Backrest contour (vinyl) 54x50	1
3	5000404	Backrest contour (vinyl) 60x50	1
3	5000405	Backrest contour (vinyl) 64x50	1
3	5000406	Backrest contour (vinyl) 42x57	1
3	5000407	Backrest contour (vinyl) 44x57	1
3	5000408	Backrest contour (vinyl) 46x57	1
3	5000409	Backrest contour (vinyl) 48x57	1
3	5000410	Backrest contour (vinyl) 50x57	1
3	5000411	Backrest contour (vinyl) 52x57	1
3	5000412	Backrest contour (vinyl) 54x57	1
3	5000413	Backrest contour (vinyl) 60x57	1
3	5000414	Backrest contour (vinyl) 64x57	1
3	5001073	Backrest contour (air) 32x30	1
3	5001074	Backrest contour (air) 37x30	1
3	5001075	Backrest contour (air) 32x35	1
3	5001076	Backrest contour (air) 37x35	1
3	5001077	Backrest contour (air) 32x40	1

Pos no	Item no	Description	Per chair
3	5001078	Backrest contour (air) 37x40	1
3	5000415	Backrest contour (air) 42x50	1
3	5000416	Backrest contour (air) 44x50	1
3	5000417	Backrest contour (air) 46x50	1
3	5000418	Backrest contour (air) 48x50	1
3	5000419	Backrest contour (air) 50x50	1
3	5000420	Backrest contour (air) 52x50	1
3	5000421	Backrest contour (air) 54x50	1
3	5000422	Backrest contour (air) 60x50	1
3	5000423	Backrest contour (air) 64x50	1
3	5000424	Backrest contour (air) 42x57	1
3	5000425	Backrest contour (air) 44x57	1
3	5000426	Backrest contour (air) 46x57	1
3	5000427	Backrest contour (air) 48x57	1
3	5000428	Backrest contour (air) 50x57	1
3	5000429	Backrest contour (air) 52x57	1
3	5000430	Backrest contour (air) 54x57	1
3	5000431	Backrest contour (air) 60x57	1
3	5000432	Backrest contour (air) 64x57	1
3	5001085	Backrest contour (stretchrubber) 32x30	1
3	5001086	Backrest contour (stretchrubber) 37x30	1
3	5001087	Backrest contour (stretchrubber) 32x35	1
3	5001088	Backrest contour (stretchrubber) 37x35	1
3	5001089	Backrest contour (stretchrubber) 32x40	1
3	5001090	Backrest contour (stretchrubber) 37x40	1
3	5000433	Backrest contour (stretchrubber) 42x50	1
3	5000434	Backrest contour (stretchrubber) 44x50	1
3	5000435	Backrest contour (stretchrubber) 46x50	1
3	5000436	Backrest contour (stretchrubber) 48x50	1
3	5000437	Backrest contour (stretchrubber) 50x50	1
3	5000438	Backrest contour (stretchrubber) 52x50	1
3	5000439	Backrest contour (stretchrubber) 54x50	1
3	5000440	Backrest contour (stretchrubber) 60x50	1
3	5000441	Backrest contour (stretchrubber) 64x50	1
3	5000442	Backrest contour (stretchrubber) 42x57	1
3	5000443	Backrest contour (stretchrubber) 44x57	1
3	5000444	Backrest contour (stretchrubber) 46x57	1
3	5000445	Backrest contour (stretchrubber) 48x57	1
3	5000446	Backrest contour (stretchrubber) 50x57	1
3	5000447	Backrest contour (stretchrubber) 52x57	1
3	5000448	Backrest contour (stretchrubber) 54x57	1
3	5000449	Backrest contour (stretchrubber) 60x57	1
3	5000450	Backrest contour (stretchrubber) 64x57	1
3	5001091	Backrest deep contour (air) 32x30	1
3	5001092	Backrest deep contour (air) 37x30	1
3	5001093	Backrest deep contour (air) 32x35	1
3	5001094	Backrest deep contour (air) 37x35	1
3	5001095	Backrest deep contour (air) 32x40	1
3	5001096	Backrest deep contour (air) 37x40	1
3	5000451	Backrest deep contour (air) 42x50	1
3	5000452	Backrest deep contour (air) 44x50	1
3	5000453	Backrest deep contour (air) 46x50	1
3	5000454	Backrest deep contour (air) 48x50	1
3	5000455	Backrest deep contour (air) 50x50	1
3	5000456	Backrest deep contour (air) 52x50	1
3	5000457	Backrest deep contour (air) 54x50	1
3	5000458	Backrest deep contour (air) 60x50	1
3	5000459	Backrest deep contour (air) 64x50	1

Upholstery

Pos no	Item no	Description	Per chair
3	5000460	Backrest deep contour (air) 42x57	1
3	5000461	Backrest deep contour (air) 44x57	1
3	5000462	Backrest deep contour (air) 46x57	1
3	5000463	Backrest deep contour (air) 48x57	1
3	5000464	Backrest deep contour (air) 50x57	1
3	5000465	Backrest deep contour (air) 52x57	1
3	5000466	Backrest deep contour (air) 54x57	1
3	5000467	Backrest deep contour (air) 60x57	1
3	5000468	Backrest deep contour (air) 64x57	1
3	5001097	Backrest deep contour (stretchrubber) 32x30	1
3	5001098	Backrest deep contour (stretchrubber) 37x30	1
3	5001099	Backrest deep contour (stretchrubber) 32x35	1
3	5001100	Backrest deep contour (stretchrubber) 37x35	1
3	5001101	Backrest deep contour (stretchrubber) 32x40	1
3	5001102	Backrest deep contour (stretchrubber) 37x40	1
3	5000469	Backrest deep contour (stretchrubber) 42x50	1
3	5000470	Backrest deep contour (stretchrubber) 44x50	1
3	5000471	Backrest deep contour (stretchrubber) 46x50	1
3	5000472	Backrest deep contour (stretchrubber) 48x50	1
3	5000473	Backrest deep contour (stretchrubber) 50x50	1
3	5000474	Backrest deep contour (stretchrubber) 52x50	1
3	5000475	Backrest deep contour (stretchrubber) 54x50	1
3	5000476	Backrest deep contour (stretchrubber) 60x50	1
3	5000477	Backrest deep contour (stretchrubber) 64x50	1
3	5000478	Backrest deep contour (stretchrubber) 42x57	1
3	5000479	Backrest deep contour (stretchrubber) 44x57	1
3	5000480	Backrest deep contour (stretchrubber) 46x57	1
3	5000481	Backrest deep contour (stretchrubber) 48x57	1
3	5000482	Backrest deep contour (stretchrubber) 50x57	1
3	5000483	Backrest deep contour (stretchrubber) 52x57	1
3	5000484	Backrest deep contour (stretchrubber) 54x57	1
3	5000485	Backrest deep contour (stretchrubber) 60x57	1
3	5000486	Backrest deep contour (stretchrubber) 64x57	1
3	5001103	Backrest deep contour, vertical (air) 32x30	1
3	5001104	Backrest deep contour, vertical (air) 37x30	1
3	5001105	Backrest deep contour, vertical (air) 32x35	1
3	5001106	Backrest deep contour, vertical (air) 37x35	1
3	5001107	Backrest deep contour, vertical (air) 32x40	1
3	5001108	Backrest deep contour, vertical (air) 37x40	1
3	5000487	Backrest deep contour, vertical (air) 42x50	1
3	5000488	Backrest deep contour, vertical (air) 44x50	1
3	5000489	Backrest deep contour, vertical (air) 46x50	1
3	5000490	Backrest deep contour, vertical (air) 48x50	1
3	5000491	Backrest deep contour, vertical (air) 50x50	1
3	5000492	Backrest deep contour, vertical (air) 52x50	1
3	5000493	Backrest deep contour, vertical (air) 54x50	1
3	5000494	Backrest deep contour, vertical (air) 60x50	1
3	5000495	Backrest deep contour, vertical (air) 64x50	1
3	5000496	Backrest deep contour, vertical (air) 42x57	1
3	5000497	Backrest deep contour, vertical (air) 44x57	1
3	5000498	Backrest deep contour, vertical (air) 46x57	1
3	5000499	Backrest deep contour, vertical (air) 48x57	1
3	5000500	Backrest deep contour, vertical (air) 50x57	1
3	5000501	Backrest deep contour, vertical (air) 52x57	1
3	5000502	Backrest deep contour, vertical (air) 54x57	1
3	5000503	Backrest deep contour, vertical (air) 60x57	1
3	5000504	Backrest deep contour, vertical (air) 64x57	1
3	5001109	Backrest deep contour, vertical (stretchrubber) 32x30	1

Pos no	Item no	Description	Per chair
3	5001110	Backrest deep contour, vertical (stretchrubber) 37x30	1
3	5001111	Backrest deep contour, vertical (stretchrubber) 32x35	1
3	5001112	Backrest deep contour, vertical (stretchrubber) 37x35	1
3	5001113	Backrest deep contour, vertical (stretchrubber) 32x40	1
3	5001114	Backrest deep contour, vertical (stretchrubber) 37x40	1
3	5000505	Backrest deep contour, vertical (stretchrubber) 42x50	1
3	5000506	Backrest deep contour, vertical (stretchrubber) 44x50	1
3	5000507	Backrest deep contour, vertical (stretchrubber) 46x50	1
3	5000508	Backrest deep contour, vertical (stretchrubber) 48x50	1
3	5000509	Backrest deep contour, vertical (stretchrubber) 50x50	1
3	5000510	Backrest deep contour, vertical (stretchrubber) 52x50	1
3	5000511	Backrest deep contour, vertical (stretchrubber) 54x50	1
3	5000512	Backrest deep contour, vertical (stretchrubber) 60x50	1
3	5000513	Backrest deep contour, vertical (stretchrubber) 64x50	1
3	5000514	Backrest deep contour, vertical (stretchrubber) 42x57	1
3	5000515	Backrest deep contour, vertical (stretchrubber) 44x57	1
3	5000516	Backrest deep contour, vertical (stretchrubber) 46x57	1
3	5000517	Backrest deep contour, vertical (stretchrubber) 48x57	1
3	5000518	Backrest deep contour, vertical (stretchrubber) 50x57	1
3	5000519	Backrest deep contour, vertical (stretchrubber) 52x57	1
3	5000520	Backrest deep contour, vertical (stretchrubber) 54x57	1
3	5000521	Backrest deep contour, vertical (stretchrubber) 60x57	1
3	5000522	Backrest deep contour, vertical (stretchrubber) 64x57	1
3	5001115	Backrest deep contour, horizontal (air) 32x30	1
3	5001116	Backrest deep contour, horizontal (air) 37x30	1
3	5001117	Backrest deep contour, horizontal (air) 32x35	1
3	5001118	Backrest deep contour, horizontal (air) 37x35	1
3	5001119	Backrest deep contour, horizontal (air) 32x40	1
3	5001120	Backrest deep contour, horizontal (air) 37x40	1
3	5000523	Backrest deep contour, horizontal (air) 42x50	1
3	5000524	Backrest deep contour, horizontal (air) 44x50	1
3	5000525	Backrest deep contour, horizontal (air) 46x50	1
3	5000526	Backrest deep contour, horizontal (air) 48x50	1
3	5000527	Backrest deep contour, horizontal (air) 50x50	1
3	5000528	Backrest deep contour, horizontal (air) 52x50	1
3	5000529	Backrest deep contour, horizontal (air) 54x50	1
3	5000530	Backrest deep contour, horizontal (air) 60x50	1
3	5000531	Backrest deep contour, horizontal (air) 64x50	1
3	5000532	Backrest deep contour, horizontal (air) 42x57	1
3	5000533	Backrest deep contour, horizontal (air) 44x57	1
3	5000534	Backrest deep contour, horizontal (air) 46x57	1
3	5000535	Backrest deep contour, horizontal (air) 48x57	1
3	5000536	Backrest deep contour, horizontal (air) 50x57	1
3	5000537	Backrest deep contour, horizontal (air) 52x57	1
3	5000538	Backrest deep contour, horizontal (air) 54x57	1
3	5000539	Backrest deep contour, horizontal (air) 60x57	1
3	5000540	Backrest deep contour, horizontal (air) 64x57	1
3	5001121	Backrest deep contour, horizontal (stretchrubber) 32x30	1
3	5001122	Backrest deep contour, horizontal (stretchrubber) 37x30	1
3	5001123	Backrest deep contour, horizontal (stretchrubber) 32x35	1
3	5001124	Backrest deep contour, horizontal (stretchrubber) 37x35	1
3	5001125	Backrest deep contour, horizontal (stretchrubber) 32x40	1
3	5001126	Backrest deep contour, horizontal (stretchrubber) 37x40	1
3	5000541	Backrest deep contour, horizontal (stretchrubber) 42x50	1
3	5000542	Backrest deep contour, horizontal (stretchrubber) 44x50	1
3	5000543	Backrest deep contour, horizontal (stretchrubber) 46x50	1
3	5000544	Backrest deep contour, horizontal (stretchrubber) 48x50	1
3	5000545	Backrest deep contour, horizontal (stretchrubber) 50x50	1

Upholstery

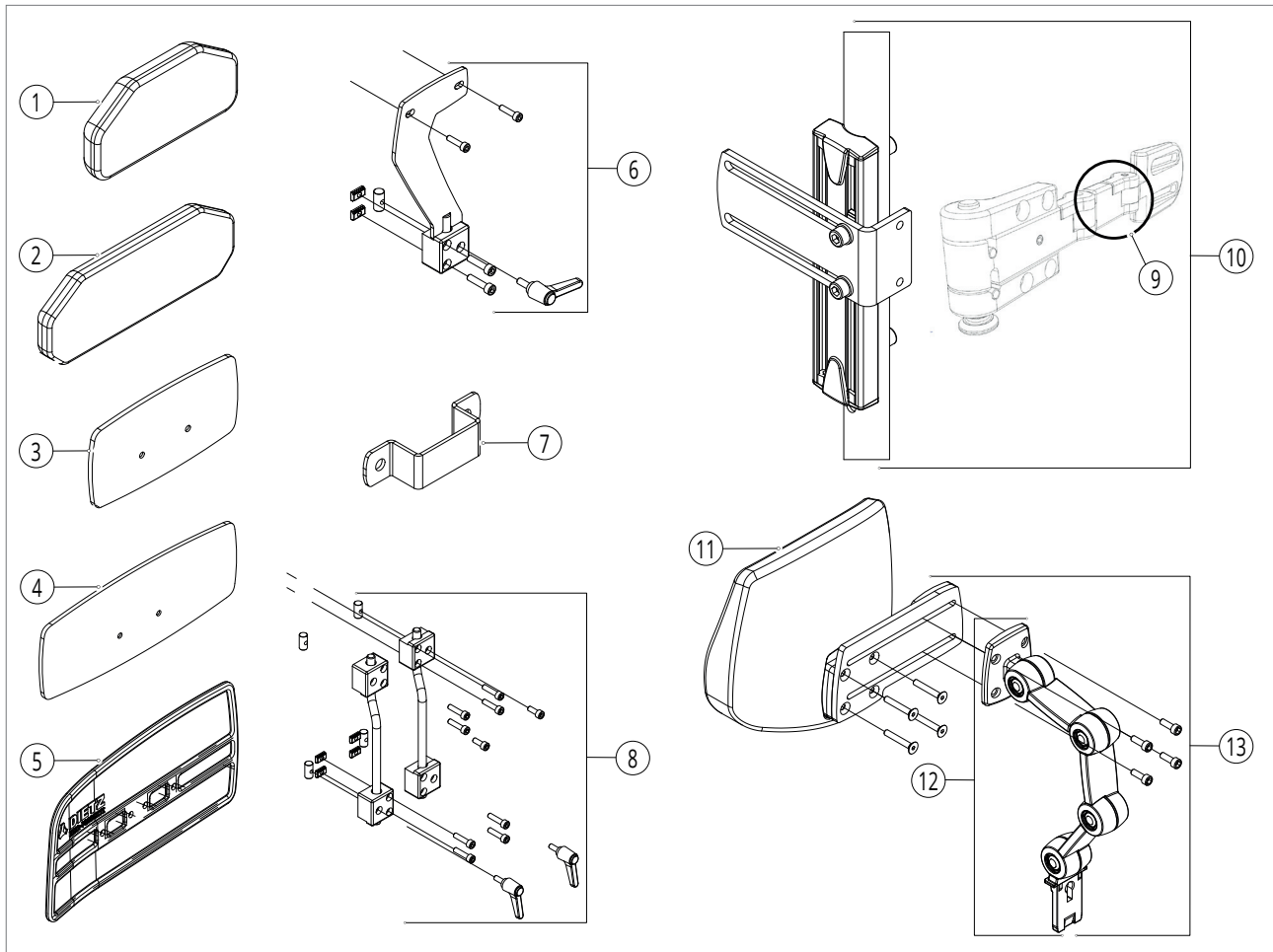
Pos no	Item no	Description	Per chair
3	5000546	Backrest deep contour, horizontal (stretchrubber) 52x50	1
3	5000547	Backrest deep contour, horizontal (stretchrubber) 54x50	1
3	5000548	Backrest deep contour, horizontal (stretchrubber) 60x50	1
3	5000549	Backrest deep contour, horizontal (stretchrubber) 64x50	1
3	5000550	Backrest deep contour, horizontal (stretchrubber) 42x57	1
3	5000551	Backrest deep contour, horizontal (stretchrubber) 44x57	1
3	5000552	Backrest deep contour, horizontal (stretchrubber) 46x57	1
3	5000553	Backrest deep contour, horizontal (stretchrubber) 48x57	1
3	5000554	Backrest deep contour, horizontal (stretchrubber) 50x57	1
3	5000555	Backrest deep contour, horizontal (stretchrubber) 52x57	1
3	5000556	Backrest deep contour, horizontal (stretchrubber) 54x57	1
3	5000557	Backrest deep contour, horizontal (stretchrubber) 60x57	1
3	5000558	Backrest deep contour, horizontal (stretchrubber) 64x57	1
3	5001127	Backrest deep contour Flex (air) 32x30	1
3	5001128	Backrest deep contour Flex (air) 37x30	1
3	5001129	Backrest deep contour Flex (air) 32x35	1
3	5001130	Backrest deep contour Flex (air) 37x35	1
3	5001131	Backrest deep contour Flex (air) 32x40	1
3	5001132	Backrest deep contour Flex (air) 37x40	1
3	5000739	Backrest deep contour Flex (air) 42x50	1
3	5000740	Backrest deep contour Flex (air) 44x50	1
3	5000741	Backrest deep contour Flex (air) 46x50	1
3	5000742	Backrest deep contour Flex (air) 48x50	1
3	5000743	Backrest deep contour Flex (air) 50x50	1
3	5000744	Backrest deep contour Flex (air) 52x50	1
3	5000745	Backrest deep contour Flex (air) 54x50	1
3	5000746	Backrest deep contour Flex (air) 60x50	1
3	5000747	Backrest deep contour Flex (air) 64x50	1
3	5000748	Backrest deep contour Flex (air) 42x57	1
3	5000749	Backrest deep contour Flex (air) 44x57	1
3	5000750	Backrest deep contour Flex (air) 46x57	1
3	5000751	Backrest deep contour Flex (air) 48x57	1
3	5000752	Backrest deep contour Flex (air) 50x57	1
3	5000753	Backrest deep contour Flex (air) 52x57	1
3	5000754	Backrest deep contour Flex (air) 54x57	1
3	5000755	Backrest deep contour Flex (air) 60x57	1
3	5000756	Backrest deep contour Flex (air) 64x57	1
3	5001133	Backrest deep contour Flex (stretchrubber) 32x30	1
3	5001134	Backrest deep contour Flex (stretchrubber) 37x30	1
3	5001135	Backrest deep contour Flex (stretchrubber) 32x35	1
3	5001136	Backrest deep contour Flex (stretchrubber) 37x35	1
3	5001137	Backrest deep contour Flex (stretchrubber) 32x40	1
3	5001138	Backrest deep contour Flex (stretchrubber) 37x40	1
3	5000757	Backrest deep contour Flex (stretchrubber) 42x50	1
3	5000758	Backrest deep contour Flex (stretchrubber) 44x50	1
3	5000759	Backrest deep contour Flex (stretchrubber) 46x50	1
3	5000760	Backrest deep contour Flex (stretchrubber) 48x50	1
3	5000761	Backrest deep contour Flex (stretchrubber) 50x50	1
3	5000762	Backrest deep contour Flex (stretchrubber) 52x50	1
3	5000763	Backrest deep contour Flex (stretchrubber) 54x50	1
3	5000764	Backrest deep contour Flex (stretchrubber) 60x50	1
3	5000765	Backrest deep contour Flex (stretchrubber) 64x50	1
3	5000766	Backrest deep contour Flex (stretchrubber) 42x57	1
3	5000767	Backrest deep contour Flex (stretchrubber) 44x57	1
3	5000768	Backrest deep contour Flex (stretchrubber) 46x57	1
3	5000769	Backrest deep contour Flex (stretchrubber) 48x57	1
3	5000770	Backrest deep contour Flex (stretchrubber) 50x57	1
3	5000771	Backrest deep contour Flex (stretchrubber) 52x57	1

Pos no	Item no	Description	Per chair
3	5000772	Backrest deep contour Flex (stretchrubber) 54x57	1
3	5000773	Backrest deep contour Flex (stretchrubber) 60x57	1
3	5000774	Backrest deep contour Flex (stretchrubber) 64x57	1
3	5001170	Backrest deep contour Flex, passive (air) 42x50	1
3	5001171	Backrest deep contour Flex, passive (air) 44x50	1
3	5001172	Backrest deep contour Flex, passive (air) 46x50	1
3	5001173	Backrest deep contour Flex, passive (air) 48x50	1
3	5001174	Backrest deep contour Flex, passive (air) 50x50	1
3	5001175	Backrest deep contour Flex, passive (air) 52x50	1
3	5001176	Backrest deep contour Flex, passive (air) 54x50	1
3	5001177	Backrest deep contour Flex, passive (air) 60x50	1
3	5001178	Backrest deep contour Flex, passive (air) 64x50	1
3	5001179	Backrest deep contour Flex, passive (air) 42x57	1
3	5001180	Backrest deep contour Flex, passive (air) 44x57	1
3	5001181	Backrest deep contour Flex, passive (air) 46x57	1
3	5001182	Backrest deep contour Flex, passive (air) 48x57	1
3	5001183	Backrest deep contour Flex, passive (air) 50x57	1
3	5001184	Backrest deep contour Flex, passive (air) 52x57	1
3	5001185	Backrest deep contour Flex, passive (air) 54x57	1
3	5001186	Backrest deep contour Flex, passive (air) 60x57	1
3	5001187	Backrest deep contour Flex, passive (air) 64x57	1
3	5000775	Backrest extra deep contour (air) 42x50	1
3	5000776	Backrest extra deep contour (air) 44x50	1
3	5000777	Backrest extra deep contour (air) 46x50	1
3	5000778	Backrest extra deep contour (air) 48x50	1
3	5000779	Backrest extra deep contour (air) 50x50	1
3	5000780	Backrest extra deep contour (air) 52x50	1
3	5000781	Backrest extra deep contour (air) 54x50	1
3	5000782	Backrest extra deep contour (air) 60x50	1
3	5000783	Backrest extra deep contour (air) 64x50	1
3	5000784	Backrest extra deep contour (air) 42x57	1
3	5000785	Backrest extra deep contour (air) 44x57	1
3	5000786	Backrest extra deep contour (air) 46x57	1
3	5000787	Backrest extra deep contour (air) 48x57	1
3	5000788	Backrest extra deep contour (air) 50x57	1
3	5000789	Backrest extra deep contour (air) 52x57	1
3	5000790	Backrest extra deep contour (air) 54x57	1
3	5000791	Backrest extra deep contour (air) 60x57	1
3	5000792	Backrest extra deep contour (air) 64x57	1
3	5000793	Backrest extra deep contour (stretchrubber) 42x50	1
3	5000794	Backrest extra deep contour (stretchrubber) 44x50	1
3	5000795	Backrest extra deep contour (stretchrubber) 46x50	1
3	5000796	Backrest extra deep contour (stretchrubber) 48x50	1
3	5000797	Backrest extra deep contour (stretchrubber) 50x50	1
3	5000798	Backrest extra deep contour (stretchrubber) 52x50	1
3	5000799	Backrest extra deep contour (stretchrubber) 54x50	1
3	5000800	Backrest extra deep contour (stretchrubber) 60x50	1
3	5000801	Backrest extra deep contour (stretchrubber) 64x50	1
3	5000802	Backrest extra deep contour (stretchrubber) 42x57	1
3	5000803	Backrest extra deep contour (stretchrubber) 44x57	1
3	5000804	Backrest extra deep contour (stretchrubber) 46x57	1
3	5000805	Backrest extra deep contour (stretchrubber) 48x57	1
3	5000806	Backrest extra deep contour (stretchrubber) 50x57	1
3	5000807	Backrest extra deep contour (stretchrubber) 52x57	1
3	5000808	Backrest extra deep contour (stretchrubber) 54x57	1
3	5000809	Backrest extra deep contour (stretchrubber) 60x57	1
3	5000810	Backrest extra deep contour (stretchrubber) 64x57	1
3	5000811	Backrest extra deep contour Flex (air) 42x50	1

Upholstery

Pos no	Item no	Description	Per chair
3	5000812	Backrest extra deep contour Flex (air) 44x50	1
3	5000813	Backrest extra deep contour Flex (air) 46x50	1
3	5000814	Backrest extra deep contour Flex (air) 48x50	1
3	5000815	Backrest extra deep contour Flex (air) 50x50	1
3	5000816	Backrest extra deep contour Flex (air) 52x50	1
3	5000817	Backrest extra deep contour Flex (air) 54x50	1
3	5000818	Backrest extra deep contour Flex (air) 60x50	1
3	5000819	Backrest extra deep contour Flex (air) 64x50	1
3	5000820	Backrest extra deep contour Flex (air) 42x57	1
3	5000821	Backrest extra deep contour Flex (air) 44x57	1
3	5000822	Backrest extra deep contour Flex (air) 46x57	1
3	5000823	Backrest extra deep contour Flex (air) 48x57	1
3	5000824	Backrest extra deep contour Flex (air) 50x57	1
3	5000825	Backrest extra deep contour Flex (air) 52x57	1
3	5000826	Backrest extra deep contour Flex (air) 54x57	1
3	5000827	Backrest extra deep contour Flex (air) 60x57	1
3	5000828	Backrest extra deep contour Flex (air) 64x57	1
3	5000829	Backrest extra deep contour Flex (stretchrubber) 42x50	1
3	5000830	Backrest extra deep contour Flex (stretchrubber) 44x50	1
3	5000831	Backrest extra deep contour Flex (stretchrubber) 46x50	1
3	5000832	Backrest extra deep contour Flex (stretchrubber) 48x50	1
3	5000833	Backrest extra deep contour Flex (stretchrubber) 50x50	1
3	5000834	Backrest extra deep contour Flex (stretchrubber) 52x50	1
3	5000835	Backrest extra deep contour Flex (stretchrubber) 54x50	1
3	5000836	Backrest extra deep contour Flex (stretchrubber) 60x50	1
3	5000837	Backrest extra deep contour Flex (stretchrubber) 64x50	1
3	5000838	Backrest extra deep contour Flex (stretchrubber) 42x57	1
3	5000839	Backrest extra deep contour Flex (stretchrubber) 44x57	1
3	5000840	Backrest extra deep contour Flex (stretchrubber) 46x57	1
3	5000841	Backrest extra deep contour Flex (stretchrubber) 48x57	1
3	5000842	Backrest extra deep contour Flex (stretchrubber) 50x57	1
3	5000843	Backrest extra deep contour Flex (stretchrubber) 52x57	1
3	5000844	Backrest extra deep contour Flex (stretchrubber) 54x57	1
3	5000845	Backrest extra deep contour Flex (stretchrubber) 60x57	1
3	5000846	Backrest extra deep contour Flex (stretchrubber) 64x57	1

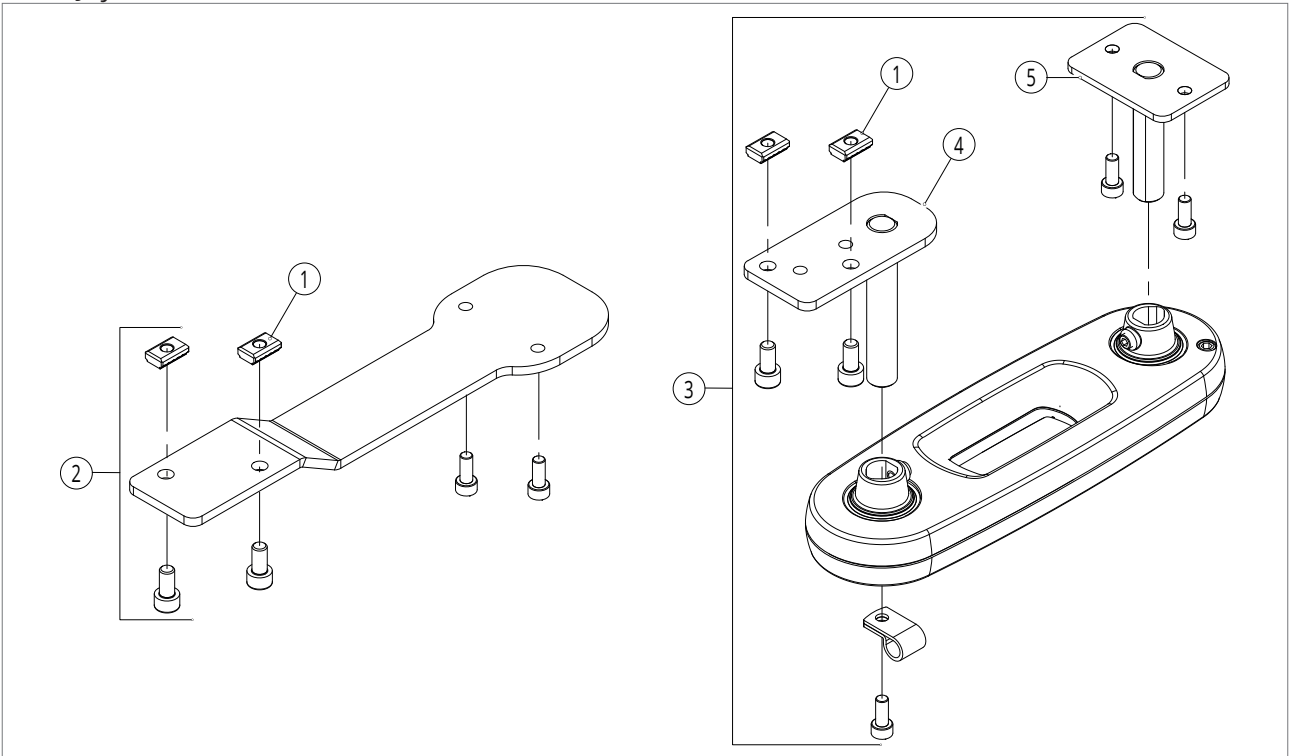
4.3. Posture support



Pos no	Item no	Description	Per chair
1	5000670	Small thigh support cushion upholstered, set	1
2	5000671	Large thigh support cushion upholstered, set	1
3	5000668	Small thigh support shield for SEGO comfort, acrylic, set	1
4	5000669	Large thigh support shield for SEGO comfort, acrylic, set	1
5	5001198	Thigh shield, ABS black, set	1
6	5000666	Thigh support bracket for flip-up armrest, set	1
7	5001266	Thigh support bracket for SEGO comfort detachable armrest, set	1
7	5001267	Thigh support bracket for SEGO xxl, set	1
8	5000667	Thigh support bracket, multi adjustable, for flip-up armrest, set	1
9	5001353	Thoracic support link	1
10	5001439	SEGO junior thoracic support incl. mounting, right	1
10	5001440	SEGO junior thoracic support incl. mounting, left	1
10	5000987	SEGO comfort/xxl thoracic support incl. mounting, right	1
10	5000988	SEGO comfort/xxl thoracic support incl. mounting, left	1
11	5000673	Headrest PU	1
11	5000674	Headrest cushion padded butterfly shape	1
11	5000675	Headrest cushion padded flexible small	1
11	5000676	Headrest cushion padded flexible large	1
12	5000677	Height and depth adjustable bracket	1
13	5000678	Height, depth and width adjustable bracket	1
-	5000960	Third party headrest mounting	1

5. Controls

5.1. Joystick bracket

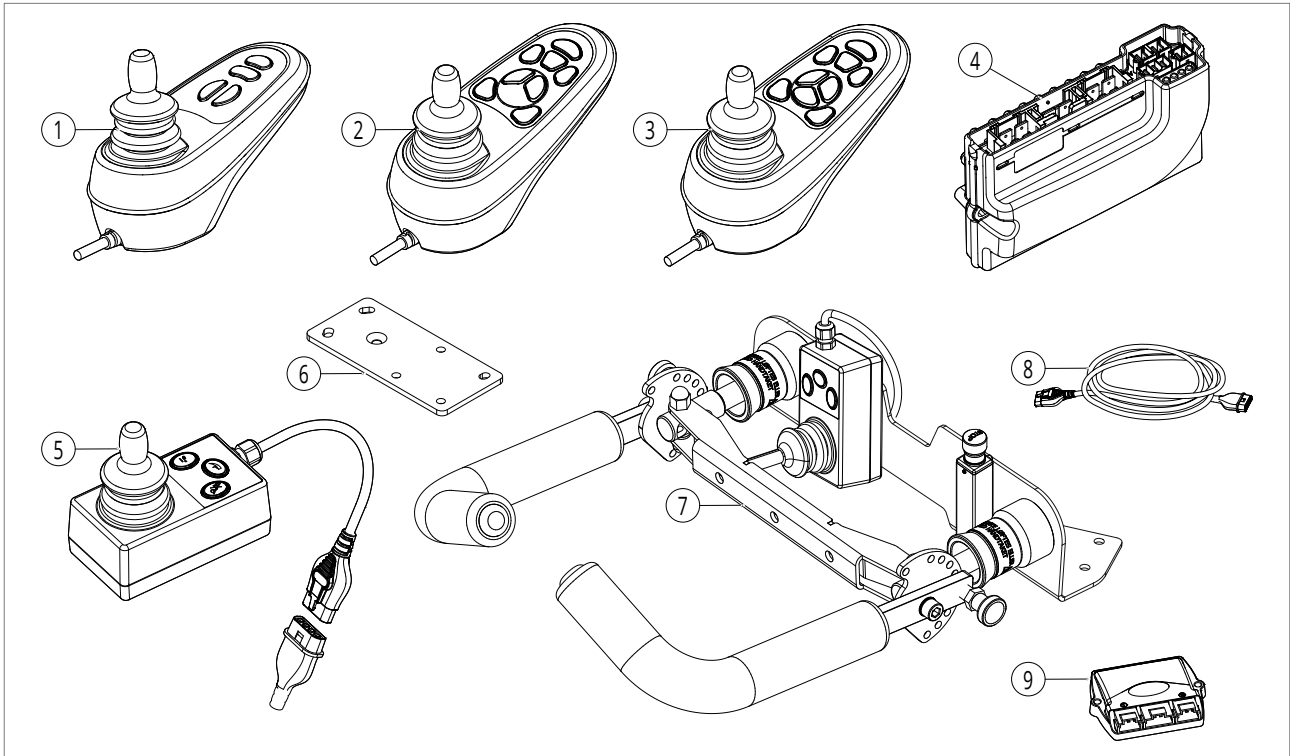


Pos no	Item no	Description	Per chair
1	5000002	Casted clamp strip small, 10 pieces	1
2	5000679	Fixed joystick bracket, incl. mounting (R=L)	1
3	5000680	Swing-away joystick bracket, incl. mounting (R=L)	1
4	5001304	Mounting plate armrest for swing-away bracket	1
5	5001305	Mounting plate joystick for swing-away bracket	1

5.2. VR2 and R-net options

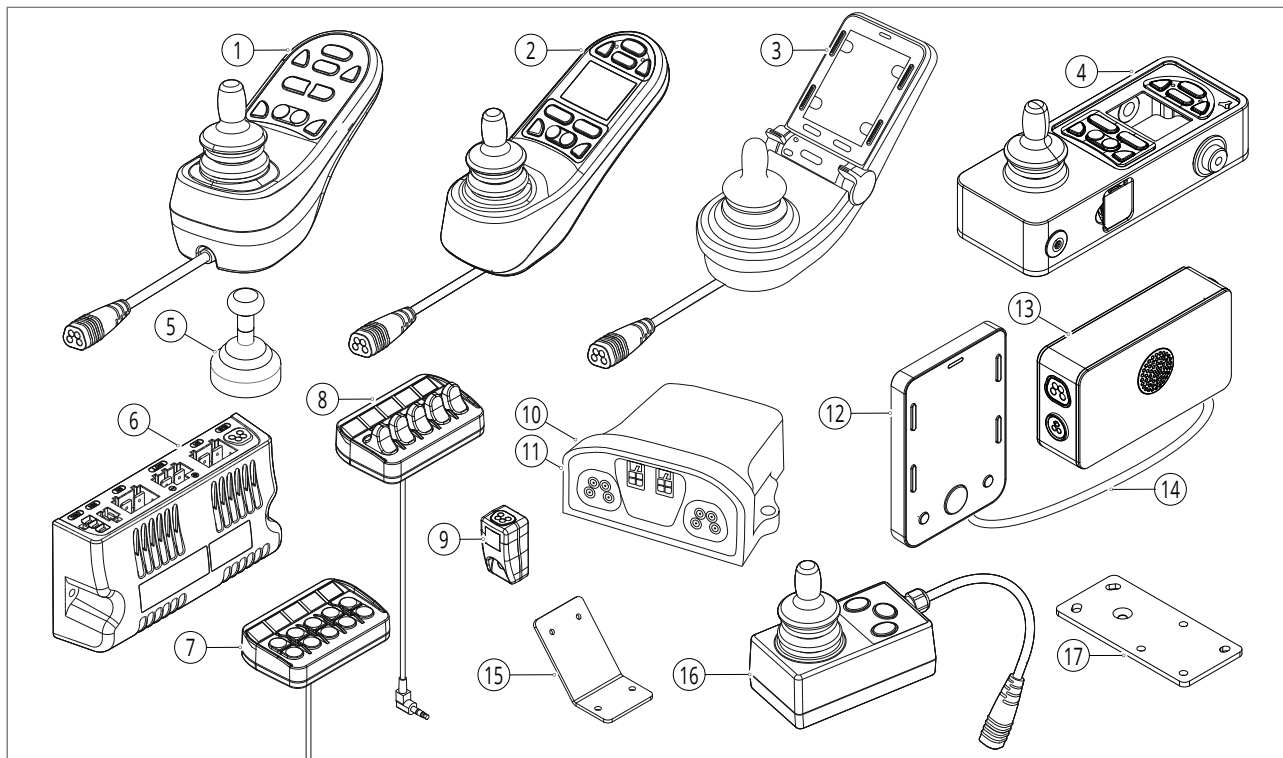
Pos no	Item no	Description	Per chair
-	5000705	Power cable	1
-	5000707	Fuse cable 100A	1
-	5000708	Actuator cable short 0,4 m	1
-	5000709	Actuator cable long 1 m	1
-	5000706	Legrest actuator cable for legrest till 14-2-2019	2
-	5001321	Inhibit cable 0,1M	1
-	5000710	Inhibit cable short	1
-	5000711	Inhibit cable long	1
-	5001291	Light extension cable 0,35 m	1
-	5001364	Standard joystick knob	1
-	5000720	Mushroom joystick knob	1
-	5000721	Joystick knob ball mini Ø32 mm	1
-	5001317	Golf ball Ø43 mm	1
-	5000722	Joystick knob ball Ø38 mm	1
-	5001275	Joystick knob softball small Ø45 mm	1
-	5000723	Joystick knob softball big Ø70 mm	1
-	5000724	Stick joystick knob	1
-	5000725	T-grip joystick knob	1
-	5001502	U-Grip vertical small joystick knob	1
-	5001503	U-Grip vertical large joystick knob	1
-	5001504	U-Grip horizontal small joystick knob	1
-	5001505	U-Grip horizontal large joystick knob	1
-	5000728	Chin joystick knob	1
-	5000689	Isolated USB charger, 3A	1
-	5001346	External charging socket	1
-	5001221	System locking plug	1

5.3. VR2 controller



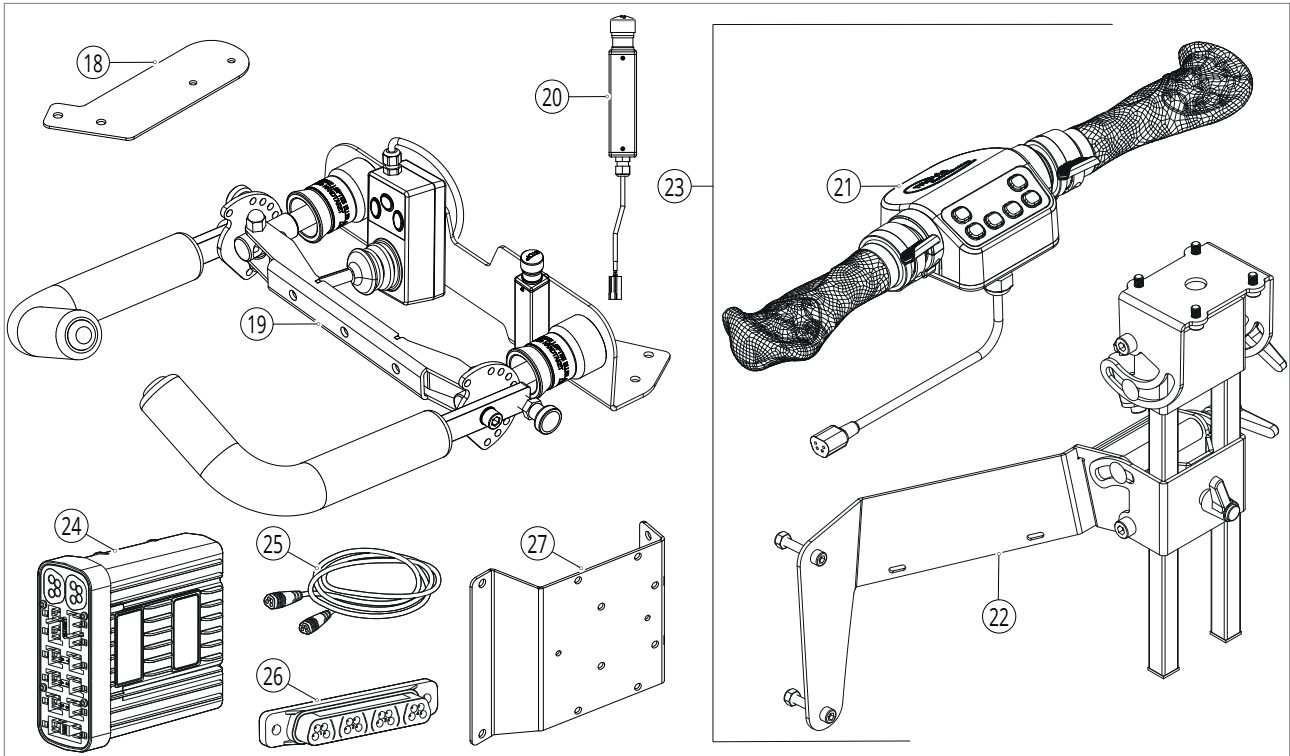
Pos no	Item no	Description	Per chair
1	5000022	VR2 Joystick module Drive Only	1
2	5000712	VR2 Joystick module Lights	1
3	5000713	VR2 Joystick module Actuators & Lights	1
4	5000023	VR2 70A Power module	1
4	5000714	VR2 70A Power module (2 actuators)	1
4	5000715	VR2 90A Power module (2 actuators)	1
5	5000716	VR2 attendant control module (R=L)	1
6	5001453	Attendant control mounting (R=L) junior	1
6	5000036	Attendant control mounting (R=L), comfort	1
7	5000983	VR2 steer (2-hand) incl. attendant control	1
8	5000717	VR2 extension cable 1M	1
8	5000718	VR2 extension cable 2M	1
9	5000024	VR2 Lighting Module, incl mounting	1
-	5000719	VR2 Lighting cable	2

5.4. R-net controller



Pos no	Item no	Description	Per chair
1	5000054	R-net joystick module LED	1
2	5000681	R-net joystick module LCD-1	1
3	5000003	R-net joystick module LCD-2 Infra-red	1
3	5000005	R-net joystick module LCD-2 Infra-red and bluetooth	1
4	5001354	Tray control, turnable (R=L)	1
-	5000682	Till Sept. 20, R-net tray control, left	1
-	5001281	Till Sept. 20, R-net tray control, right	1
5	5001319	Heavy Duty kit for R-net CJSM2 Joystick	1
6	5000055	R-net 90A Power module (1 actuator)	1
6	5000683	R-net 120A Power module	1
7	5000975	DAC box, direct actuator control CJSM1, button, incl. mounting plate	1
7	5000684	DAC box, direct actuator control CJSM2, button, incl. mounting plate	1
8	5001292	DAC box, direct actuator control CJSM1, toggle, incl. mounting plate	1
8	5001293	DAC box, direct actuator control CJSM2, toggle, incl. mounting plate	1
-	5001338	DAC box mounting plate on joystick side	1
9	5000685	Gyro module	1
10	5000687	R-net i-Device Bluetooth module	1
11	5001462	PG Tilt module	1
11	5001463	PG Tilt module, incl. mounting bracket	1
12	5001349	R-net Omni2 display	1
13	5001350	R-net Omni2 input section (D51710)	1
14	5001351	R-net Omni2 1.5m cable	1
12-14	5000993	Omni 2 module	1
-	5000994	Omni 2 mounting bracket joystick side	1
15	5000995	Omni 2 mounting bracket not joystick side	1
16	5000056	R-net attendant control module (R=L)	1
17	5001453	Attendant control mounting (R=L) junior	1
17	5000036	Attendant control mounting (R=L), comfort	1

5.4 R-net controller - continuation



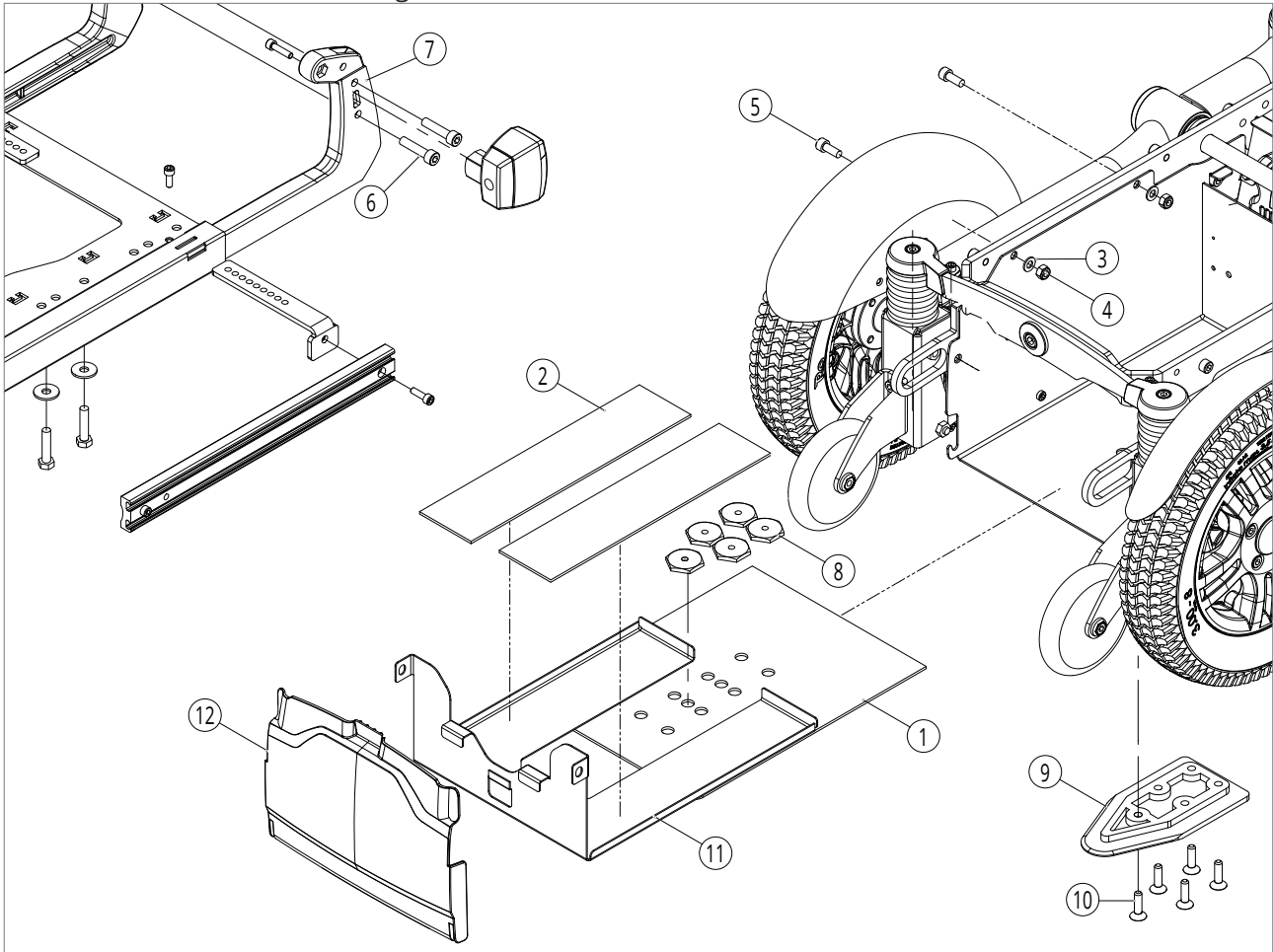
Pos no	Item no	Description	Per chair
-	5001352	R-net joystick module as attendant control	1
18	5001296	R-net joystick module as attendant control with 2 hand steer, mounting (R=L)	1
19	5000984	R-net steer (2-hand) incl. attendant control	1
20	5001506	Emergency stop, incl. mounting	1
21	5001361	Scotcontrol R-net	1
22	5001271	Scot control bracket R-net	1
23	5001270	Scot control R-net, incl mounting	1
-	5001362	Scotcontrol lever, right	1
-	5001363	Scotcontrol lever, left	1
24	5000025	R-net ISM 6 Actuators & Lights	1
24	5000998	R-net IOM (Input-Output-Modul), 7 switch functions	1
25	5000695	R-net bus cable 0,3M	1
25	5000696	R-net bus cable 0,5M	1
25	5000697	R-net bus cable 1,0M	1
25	5000698	R-net bus cable 1,2M	1
25	5000699	R-net bus cable 1,5M	1
25	5000700	R-net bus cable 2,0M	1
25	5000701	R-net bus cable 2,5M	1
25	5001369	CJSM2 Joystick cable 0,7M	1
25	5000702	R-net extention cable 1M	1
26	5000703	R-net 4-way connector block	1
-	5001280	R-net Y-splitter	1
27	5000957	Electrical components mounting plate backrest	1
-	5000704	R-net lighting cable	2
-	5001383	R-net lighting cable short	2
-	5001164	Push button small 17 mm, red	1
-	5001165	Push button small 17 mm, green	1
-	5001166	Push button medium 30 mm, red	1
-	5001167	Push button medium 30 mm, green	1
-	5001288	Push button big 50 mm, red	1
-	5001289	Push button big 50 mm, green	1

5.5. R-net special controls

Pos no	Item no	Description	Per chair
-	5000923	OMNI Micro joystick (8,5 gram)	1
-	5000924	OMNI Multi joystick (50 gram)	1
-	5000925	OMNI All-round Light joystick (120 gram)	1
-	5000926	OMNI All-round Light joystick , chin (incl. 2 satellite switches en foam ball) (120 gram)	1
-	5000927	OMNI All-round joystick (250 gram)	1
-	5000928	OMNI All-round joystick , chin (incl. 2 satellite switches en foam ball) (250 gram)	1
-	5000929	OMNI All-round heavy duty joystick (650 gram)	1
-	5000930	R-net Micro joystick (8,5 gram)	1
-	5000931	R-net Multi joystick (50 gram)	1
-	5000932	R-net All-round Light joystick (120 gram)	1
-	5000933	R-net All-round Light joystick, chin (incl. 2 satellite switches en foam ball) (120 gram)	1
-	5000934	R-net All-round joystick (250 gram)	1
-	5000935	R-net All-round joystick, chin (incl. 2 satellite switches and foam ball) (250 gram)	1
-	5001464	Mounting bracket for All-round joystick on Omni2 side	1
-	5000936	R-net All-round heavy duty joystick (650 gram)	1
-	5000939	Swing arms for chin control, manual horizontal, right	1
-	5000940	Swing arms for chin control, manual horizontal, left	1
-	5000941	Swing arms for chin control, powered horizontal, right	1
-	5000942	Swing arms for chin control, powered horizontal, left	1
-	5000943	Swing arms for chin control, powered vertical , right	1
-	5000944	Swing arms for chin control, powered vertical, left	1
-	5000945	Switch Ø 17mm to operate swingarm	1

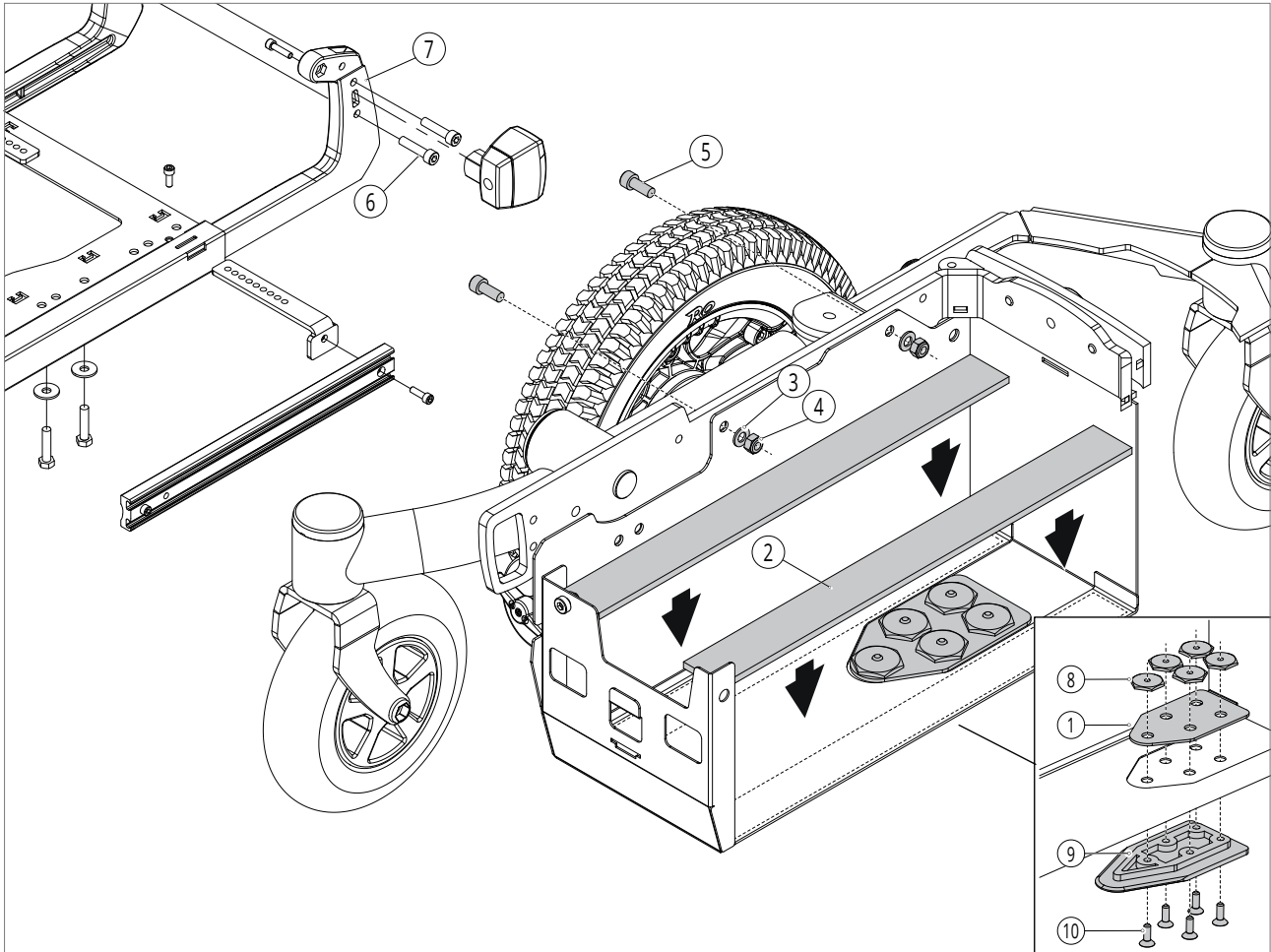
6. Accessories

6.1. Advanced Dahl car docking



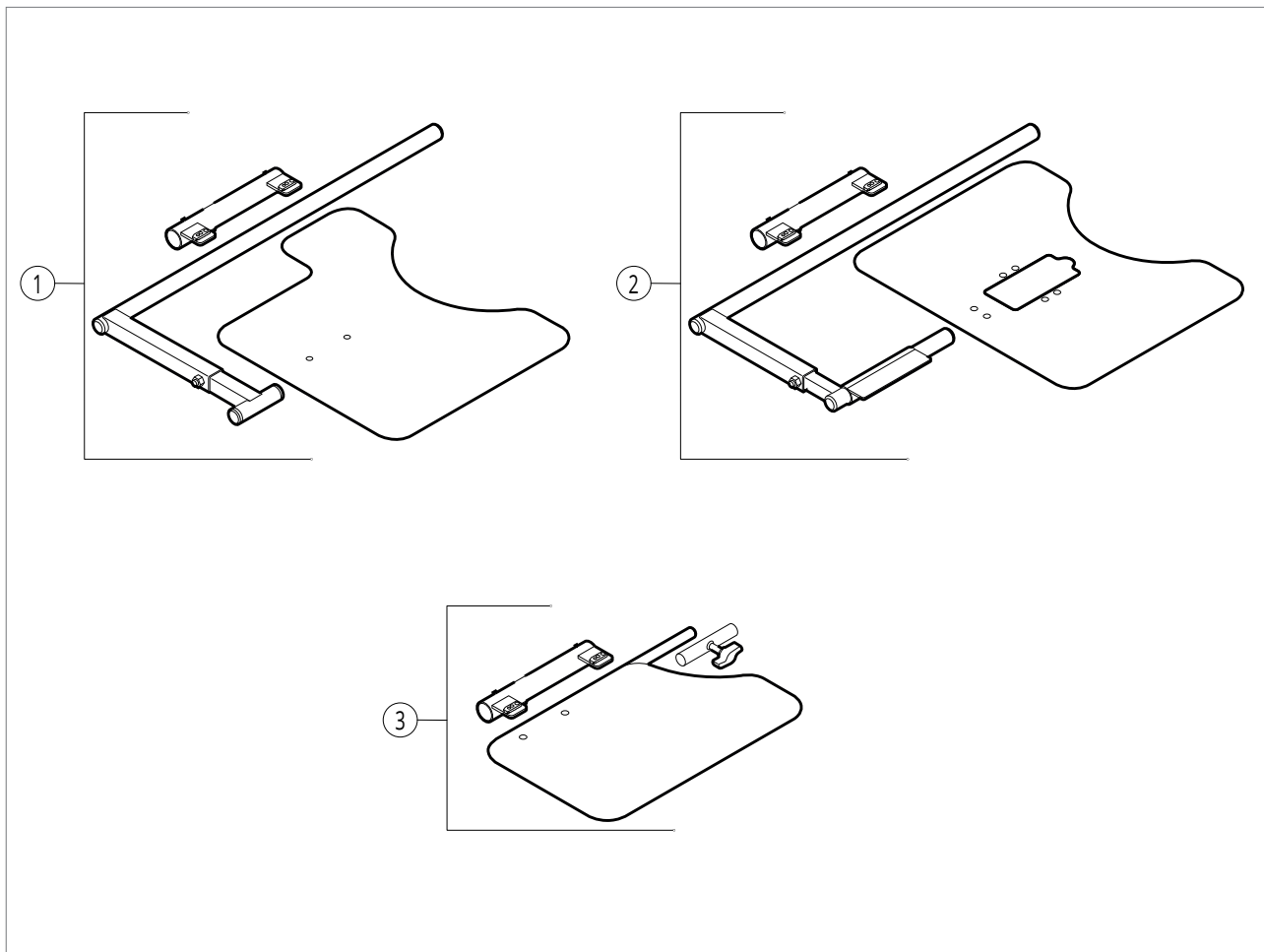
Pos no	Item no	Description	Per chair
1 - 7	5000062	SANGO advanced Dahl car docking preparation	1
1 - 10	5001168	SANGO advanced Dahl car docking preparation, including lock plate	1
8-10	5001384	Dahl lock plate incl. nuts and bolts	1
-	5001273	From July '20 Suspension for Dahl car docking preparation (advanced), set	1
11	5001370	From July '20 Battery slide plate for Dahl car docking (advanced)	1
-	5001371	From July '20 Power module cover for Dahl car docking, black (advanced)	1
12	5001372	From July '20 Battery cover black for Dahl car docking (advanced)	1

6.2. Slimline Dahl car docking



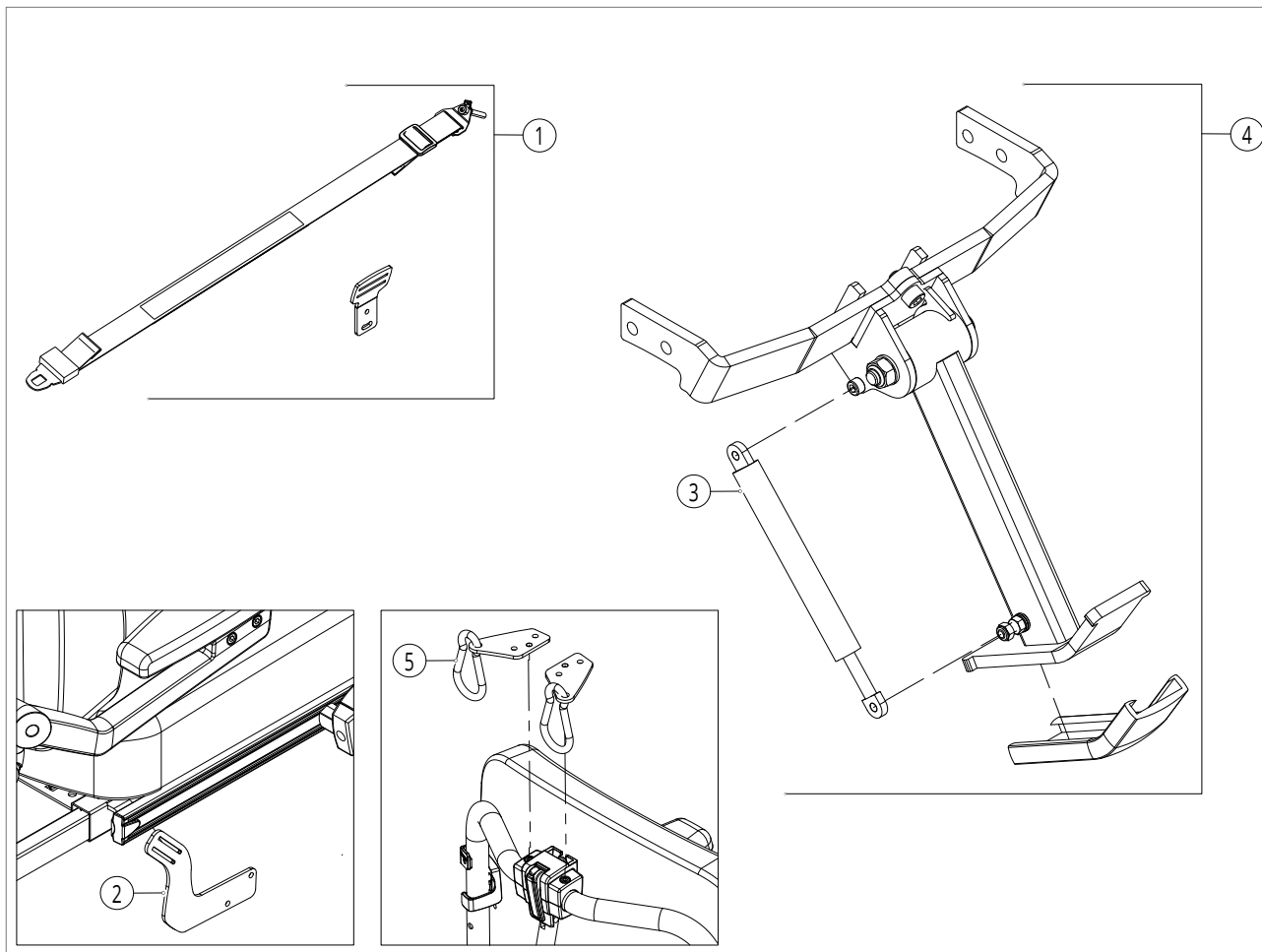
Pos no	Item no	Description	Per chair
1 - 7	5001160	SANGO slimline Dahl car docking preparation	1
1 - 10	5001169	SANGO slimline Dahl car docking preparation, including lock plate	1
8-10	5001384	Dahl lock plate incl. nuts and bolts	1

6.3. Trays



Pos no	Item no	Description	Per chair
1	5001480	Tray 540 mm with joystick side recess (R=L)	1
1	5001481	Tray 600 mm with joystick side recess (R=L)	1
1	5001482	Tray 640 mm with joystick side recess (R=L)	1
1	5001483	Tray 680 mm with joystick side recess (R=L)	1
1	5001341	Tray 540 mm with joystick side recess, incl. mounting, right	1
1	5001342	Tray 600 mm with joystick side recess, incl. mounting, right	1
1	5001343	Tray 640 mm with joystick side recess, incl. mounting, right	1
1	5001344	Tray 680 mm with joystick side recess, incl. mounting, right	1
1	5001484	Tray 540 mm with joystick side recess, incl. mounting, left	1
1	5001485	Tray 600 mm with joystick side recess, incl. mounting, left	1
1	5001486	Tray 640 mm with joystick side recess, incl. mounting, left	1
1	5001487	Tray 680 mm with joystick side recess, incl. mounting, left	1
2	5001355	Tray 640 mm for centre mount tray control (R=L)	1
2	5001356	Tray 540 mm for centre mount tray control (R=L)	1
2	5001357	Tray 640 mm for centre mount tray control, incl. joystick and mounting (R=L)	1
2	5001358	Tray 540 mm for centre mount tray control, incl. joystick and mounting (R=L)	1
2	5000732	Till Sept. '20, Tray joystick recess in centre for R-net CJSM, incl. mounting (R=L)	1
3	5000730	Hemi tray, incl. mounting (R=L)	1
-	5001347	Tray tube D=22	1
-	5001491	Tray tube D25	1
-	5001459	Tray tube receiver D22	1
-	5001461	Tray tube receiver centre mount D25	1
-	5001348	Hemi tray tube and - receiver	1
-	5001359	Tray raised edge R=L	1
-	5001360	Tray raised edge front	1

6.4. Accessories



Pos no	Item no	Description	Per chair
1	5000009	Lapbelt 1.90m, incl. mounting set	1
1	5000010	Lapbelt 2.90m, incl. mounting set	1
-	5001294	Lapbelt, automatic roll-up 1,35 m	1
2	5001295	Backwards extended and higher bracket for lapbelt standard	1
3	5000735	Kerb climber gas spring (not for slimline)	1
4	5000734	Kerb climber RWD (not for slimline)	1
-	5000737	Mirror incl. mounting	1
-	5000738	Cane/crutch holder MWD/RWD, right	1
-	5000981	Cane/crutch holder MWD/RWD, left	1
-	5000982	Cane/crutch holder FWD	1
5	5001220	Bag/backpack bracket, 2 hooks	1

7. Version overview

From version 1 to 2 (2019-08)

Section	Changes
In general	<ul style="list-style-type: none"> Added the Slimline and changes communicated in Product update (PU) 1
Advanced base frame	<ul style="list-style-type: none"> Changed description of 5000061, 5000063 and 5000064
Slimline base frame	<ul style="list-style-type: none"> Is new
Advanced FWD side frame	<ul style="list-style-type: none"> Deleted 5000657 and 5000568 Added 5001151 and 5000948 Added 5000949 (for France)
Advanced / Slimline RWD side frame	<ul style="list-style-type: none"> Deleted 5000657 and 5000568 Added 5001151 and 5000948 Added 5001142 Added 5000951 (for France) Added 5001143 and 5001144
Advanced MWD side frame	<ul style="list-style-type: none"> Deleted 5000657 and 5000568 Added 5000947
Slimline MWD side frame	<ul style="list-style-type: none"> Is new
Motors	<ul style="list-style-type: none"> Changed description of 5000131 and 5000132
Manual tilt	<ul style="list-style-type: none"> Added 5001158 and 5001159
Powered seat tilt and seat lift/tilt	<ul style="list-style-type: none"> Deleted 5000574 - 5000579 Deleted 5000584 - 5000586 Added 5000985 and 5000986
Seat frame and lighting	<ul style="list-style-type: none"> Changed description 5000593 - 5000597 and 5000035 Changed description 5000600 and 5000601
Backrest frame and armrests	<ul style="list-style-type: none"> Added 5001162 and 5001163 Added 5001200 Added 5000952, 5000953 and 5000989 Added 5001154, 5001155, 5001196 and 5001197
Standard / comfort legrest	<ul style="list-style-type: none"> Added 5001149 and 5001150
Centre mount legrest	<ul style="list-style-type: none"> Is new
Powered centre mount legrest	<ul style="list-style-type: none"> Is new
Legrest accessories	<ul style="list-style-type: none"> Deleted 5000654, 5000657 and 5000659
Seat cushions	<ul style="list-style-type: none"> Added 5000990 and 5000946
Backrest cushions	<ul style="list-style-type: none"> Added 5001170 - 5001187
Posture support	<ul style="list-style-type: none"> Changed description of 5000668 and 5000669 and added 5001198 Deleted 5000672 and 5000018 and added 5000987 and 5000988 Added 5000960
R-net controller	<ul style="list-style-type: none"> Changed description of 5000684 and added 5000975 Deleted 5000690 - 5000694 and added 5000993 - 5000997 Added 5000976 and 5000984 Added 5000998 Added 5000957 Added 5001164 - 5001167
Slimline Dahl car docking	<ul style="list-style-type: none"> Is new
Accessories	<ul style="list-style-type: none"> Changed description 5000735 and 5000734 Deleted 5000736 Added 5000981 and 5000982

From version 2 to 3 (2020-03)

Section	Changes
In general	<ul style="list-style-type: none"> Added the junior and xxl
Advanced base frame	<ul style="list-style-type: none"> Changed description of 5000063 and added 5001265
Slimline base frame	<ul style="list-style-type: none"> Changed description of 5001140, 5001141 and added 5001265
Xxl base frame	<ul style="list-style-type: none"> Is new
Xxl FWD side frame	<ul style="list-style-type: none"> Is new
Motors	<ul style="list-style-type: none"> Added 5000968, 5000969 and 5000133
Castor wheels and mudguards	<ul style="list-style-type: none"> Added 5001290
Drive wheels and mudguards	<ul style="list-style-type: none"> Changed description of 5000162 Added 5000178, 5000179, 5001215 - 5001219 and 5001229 - 5001231
Manual tilt	<ul style="list-style-type: none"> Added 50001232 and 5001233
Advanced / Slimline Powered seat tilt and seat lift/tilt	<ul style="list-style-type: none"> Changed description of 5000572 and 5000573 Changed description of 5000986 Added 5001234 and 5001235
Xxl powered seat tilt and catapult	<ul style="list-style-type: none"> Is new
Advanced / Slimline Seat frame and lighting	<ul style="list-style-type: none"> Changed description of 5000600 and 5000601 Added 5001202
Xxl Seat frame and lighting	<ul style="list-style-type: none"> Is new
Advanced / Slimline Backrest frame and armrests	<ul style="list-style-type: none"> Changed description of 5001200 and added 5001274 Added 5000851, 5000002, 5001202, 5001246, 5001247, 5001250, 5001251 and 5001264
Xxl Backrest frame and armrests	<ul style="list-style-type: none"> Is new
Mechanical centre mount legrest	<ul style="list-style-type: none"> Changed description of 5000647, 5000648, 5000971, 5000954, 5000955 and added 5000956
Powered centre mount legrest	<ul style="list-style-type: none"> Changed description 5001188, 5001189, 5000973, 5000974, 5000961 - 5000964 and 5001278 Added 5001194 - 5001195, 5001276, 5001278 - 5001279, 5001282 - 5001287, 5001297 and 5001306 Deleted 5001277 and 5001279
Legrest accessories	<ul style="list-style-type: none"> Added 5000037 and 5001307
Seat cushions	<ul style="list-style-type: none"> Added 5000999 - 5001010, 50001023 - 1058, 5001065 - 5001066 and 5001298 - 5001303 Deleted 5001011 - 50001016
Backrest cushions	<ul style="list-style-type: none"> Added 5001067 - 5001078, 5001091 - 5001138 and 5001170 - 5001187
Posture support	<ul style="list-style-type: none"> Changed description of 5000666 - 5000669, 5000987 and 5000988 Added 5001266 - 5001269
Joystick bracket	<ul style="list-style-type: none"> Added 5001304 and 5001305
VR2 controller	<ul style="list-style-type: none"> Changed description of 5000708 and 5000709 Added 5000983, 5001291 and 5001275
R-net controller	<ul style="list-style-type: none"> Changed description of 5000682 and added 5001281 Changed description of 5000708 and 5000709 Added 5001270, 5001271, 5001280, 5001221, 5001291, 5001275, 5001288, 5001289, 5001292, 5001293 and 5001296 Deleted 5000686 and 5000688
R-net special controls	<ul style="list-style-type: none"> Is new
Advanced Dahl car docking station	<ul style="list-style-type: none"> Added 5001273
Accessories	<ul style="list-style-type: none"> Added 5001220, 5001294 and 5001295 Deleted 5001272

From Version 3 to 4 (2020-12)

Section	Changes
Front cover	<ul style="list-style-type: none"> Added SANGO slimline F and SANGO slimline SEGO junior F
Advanced base frame	<ul style="list-style-type: none"> Changed description of 5000071 Added 5001336 and 5001337
Slimline base frame	<ul style="list-style-type: none"> Added 5001336 and 5001337
Xxl base frame	<ul style="list-style-type: none"> Added 5001336 and 5001337
Advanced FWD side frame	<ul style="list-style-type: none"> Added 5001203, 5001204, 5001441 and 5001442 Added 5001205, 5001206, 5001443 and 5001444 Changed description 5000091 and 5000092
Advanced / slimline RWD side frame	<ul style="list-style-type: none"> Changed header into Advanced RWD / slimline RWD/FWD side frame Changed 5000187 into 5000185 Changed description 5000093-5000098 Added 5001207, 5001208, 5001445 and 5001446 Added 5001209, 5001210, 5001447 and 5001448 Added 5000081-5000086, 50001205, 50001206, 5001443 and 5001444 Changed description 5001142 Added 5001397 and 5001398
Advanced MWD side frame	<ul style="list-style-type: none"> Added 5001500 and 5001501 Added 5000073 and 5000184 Added 5001211 and 5001449 Added 5001212, 5001213, 5001450 and 5001451
Slimline MWD side frame	<ul style="list-style-type: none"> Added 5001500 and 5001501 Added 5000073 and 5000184 Added 5001212, 5001213, 5001450 and 5001451
Motors	<ul style="list-style-type: none"> Added 5001340
Castor wheels and mudguards	<ul style="list-style-type: none"> Added 5001457 and 5001458 Added 5001365-5001367 Added 5001455 and 5001456
Drive wheels and mudguards	<ul style="list-style-type: none"> Added 5001368
Manual tilt	<ul style="list-style-type: none"> Changed description 5001232 Deleted 5001233
Advanced / slimline Powered seat tilt and seat lift/tilt	<ul style="list-style-type: none"> Added 5000574, 5001375, 5001374, 5001376, 5001377, 5001381, 5001380, 5000585, 5000586, 5000577, 5000578 and 5000579
Advanced / slimline seat frame and lighting	<ul style="list-style-type: none"> Added 5001507 and 5001508 Added 5001474 and 5001475 Added 5001476 and 5001477
Xxl seat frame and lighting	<ul style="list-style-type: none"> Added 5001507 and 5001508
Advanced / slimline backrest frame and flip-up armrests	<ul style="list-style-type: none"> Added 5001345 Added 5001214 and 5001452
Standard / comfort legrest	<ul style="list-style-type: none"> Deleted 5000628 and 5000629 Changed description 5001149 and 5001150 Added 5001466 and 5001467 Added 5001490 Added 5001488 and 5001489
Powered articulating legrest	<ul style="list-style-type: none"> Added 5001465, 5001468-5001469, 5001490, 5001470-1471
Mechanical centre mount legrest	<ul style="list-style-type: none"> Added 5001382
Powered centre mount legrest	<ul style="list-style-type: none"> Added 5001326-1328 Added 5001329, 5001330, 5001331, 5001332, 5001333 and 5001334 Added 5001478 and 5001479 Changed description 5001306 Added 5001335
Legrest accessories	<ul style="list-style-type: none"> Added 5001339

Seat cushions	<ul style="list-style-type: none"> • Added 5000878-5000901, 5001385-5001396, 5001400-5001402, 5001404-5001406, 5001408-5001410, 5001412-5001414, 5001416-5001418 and 5001420-5001422 (Velcro cushions) • Added 5001318 • Deleted 5000348-5000383 • Added 5000902-5000917, 5001424-5001426, 5001428-5001430, 5001432-5001434, 5001436-5001438 and 5001492-5001499 (Velcro boards)
Posture support	<ul style="list-style-type: none"> • Added 5001439 and 5001440 • Deleted 5001268 and 5001269 and changed description 5000987 and 500988 • Added 5001353
VR2 and R-net options	<ul style="list-style-type: none"> • Added separate chapter with the options available for VR2 and R-net • Added 5001321 • Added 5001364 and 5001317 • Deleted 5000726 and 5000727 • Added 5001502-5001505 • Added 5001346
VR2 controller	<ul style="list-style-type: none"> • Changed description of 5000036 • Added 5001453
R-net controller	<ul style="list-style-type: none"> • Added 5001354 • Changed description 5000682 and 5001281 • Added 5001319 • Added 5001338 • Added 5001462 and 5001463 • Added 5001349-5001351 • Changed 5000038 into 5000036 • Added 5001453 • Added 5001352 • Added 5001506 • Added 5001361, changed description 5001270 and added 5001362 and 5001363 • Added 5001369 • Added 5001383
R-net special controls	<ul style="list-style-type: none"> • Added 5001464
Advanced Dahl car docking	<ul style="list-style-type: none"> • Added 5001370-5001372 and 5001384
Slimline Dahl car docking	<ul style="list-style-type: none"> • Added 5001384
Trays	<ul style="list-style-type: none"> • Changed 5000017 into 5001480-5001483, 5001341-5001344, and 5001484-5001487 • Added 5001355-5001358 • Changed description 5000732 • Added 5001347, 5001491, 5001459, 5001461, 5001348, 5001359 and 5001360

SANGO is a product manufactured by:

DIETZ Power B.V.
Vlamovenweg 12
5708 JV Helmond
The Netherlands
+31 492 792 196
info@DIETZ-Power.com
www.DIETZ-Power.com