

User's Manual

English

F5 Corpus

CE

Dear Permobil user

We congratulate you on your choice of powered wheelchair. Our goal is for you to continue to feel satisfied with your choice of both vendor and product. Your powered wheelchair is designed to give you the highest possible comfort and safety while meeting both safety and environmental requirements.

Before you begin using your wheelchair, it is important that you read and understand the content of these operating instructions, and in particular the safety instructions.

Produced and published by Permobil

Edition: 7
2017-03-29

Order no: 205356-UK-0 eng-UK

Where to find Permobil

Permobil UK

Office 312 Britannia Office Quarter Waters Meeting Britannia Way

BL1 8SW

Bolton, United Kingdom

Tel: (+44) (0)1484 722 888

Fax: (+44) (0)1484 723 013

Email: info@permobil.uk

The Permobil Group's Head Office

Permobil AB

Box 120

861 23 Timrå

Sverige

Tel: 060-59 59 00

Fax: 060-57 52 50

E-Mail: info@permobil.com

Contents

Important information	9
Safety instructions	13
Design and function.....	45
Settings and adjustments.....	65
R-net LCD control panel.....	95
R-net LED control panel	147
ICS seat control panel.....	157
Handling	167
Transporting the wheelchair	189
Maintenance and repairs.....	199
Accessories	245
Technical specifications.....	246
Restrictions and limitations.....	251
Troubleshooting	257

Labels269

Important information

Before you begin using your wheelchair, it is important that you read and understand the content of these operating instructions, and in particular the safety instructions.

These operating instructions are primarily intended to acquaint you with the functions and characteristics of the wheelchair and how to use them in the best manner possible. They also contain important safety and maintenance information, as well as describing possible problems that can arise while using the wheelchair.

Always keep these operating instructions within convenient reach when using your product, as the need for important information may arise concerning its use, safety and maintenance.

It is also possible to obtain information concerning our products from our website: www.permobil.com.

All information, pictures, illustrations and specifications are based upon the product information available at the time these operating instructions were printed. The pictures and illustrations used in these operating instructions are representative examples and not intended to be exact depictions of the various parts of the powered wheelchair.

We reserve the right to make changes to the product without prior notice.

If you are visually impaired, this document can be downloaded at www.permobil.com. Use the magnifying tool in your PDF reader to achieve desired text and picture size.

Ordering documentation

Should you need another copy of this manual, one may be ordered from Permobil. Ask for the article number specified on the last cover page.

Technical Support

In the event of technical problems, contact Permobil.

Be prepared to provide the wheelchair's serial number, located on the chassis, to ensure proper support.

Spare parts and accessories

Spare parts and accessories must be ordered through Permobil.

The expected service life of this product is seven years.

Scrapping

Contact Permobil for information about scrapping agreements in force.

Guarantee

All powered wheelchairs are supplied with a two-year product guarantee. Batteries and charger are supplied with a one-year guarantee.

Reporting incidents

If an incident occurs, please contact your nearest Permobil representative. This is usually the same person you were in contact with at the time of purchase. To get in touch with your contact, use the link at www.permobil.com. Open your country page and the contact page. The page provides the necessary contact information and a document to help you provide us with the information we need to investigate the incident. Provide as much of the information as possible; it will be of great help to us.

We need you to send in incident reports to help us improve quality and make sure our product remains safe throughout its service life.

To meet these requirements and to ensure our products remain safe in your hands, we need your assistance. We hope you never need to use the information on this page but in the event of an incident, please contact us.

Product approval

This product fulfils the requirements of EN 12184, EN 1021-1, EN 1021-2, ISO 7176-9, ISO 7176-14, ISO 7176-16 and ISO 7176-19.

Safety instructions

A powered wheelchair is a motorised vehicle and special care must therefore be taken when using it.

Please read and follow all instructions and warnings in this manual before operating your powered wheelchair. Incorrect use may both injure the user and damage the wheelchair. In order to reduce these risks, read the User Manual carefully, in particular the safety instructions and their warning texts.

Permobil is not responsible for personal injuries or property damage resulting from any person's failure to follow the warnings and instructions in this manual. Permobil is not responsible for injuries or damage resulting from failure to exercise good judgement.

The final selection and purchasing decision about the type of powered wheelchair to be used is the responsibility of the user and his or her healthcare professional. Permobil is not responsible for inappropriate selections of models or features or improper mountings on the wheelchair.

Your powered wheelchair was configured specifically for your needs as prescribed by your healthcare provider. Consult your healthcare provider before changing the seat position or making any other adjustment. Some adjustments may reduce your wheelchair's performance or safety, or may not be appropriate for your needs.

It is also of the utmost importance that you devote sufficient time to getting acquainted with the various buttons, functions and steering controls; the different seat adjustment possibilities, etc. of your wheelchair and its accessories before you begin using it.

Do not undertake your own first test drive without making sure help is available in the immediate vicinity should you need it.

Preparing for use

In order to make sure that nothing happened to your Permobil product while it was being shipped to you, check the following items before beginning to use it:

- that all products ordered are included in the delivery, including operating instructions and possible additional documentation. If you suspect that something is missing, contact your supplier or Permobil for more information as soon as possible.
- that no transportation-related or other damage has occurred to the product or its accessories. If you discover that something is damaged or appears to be incorrect in some other way, contact your supplier or Permobil for more information as soon as possible before you continue the checks.

We recommend that you charge your wheelchair's batteries before you begin using it.

Always make sure the tyres are inflated properly before driving.

If you perceive the wheelchair to be behaving in an unexpected manner or if you suspect that something is wrong, abort the test drive as soon as possible, switch off the wheelchair and get in touch with your service contact or Permobil for more information.

Definition of admonitions

The following admonitions describing warnings, remarks and explanatory texts are used throughout this manual to draw attention to items of significant importance to safety:



DANGER!

The Danger admonition

Indicates a dangerous situation which, if not avoided, could result in death as well as serious damage to the product or other property.

**WARNING!****The Warning admonition**

Indicates a hazardous situation which if not avoided could result in serious injury or death as well as damage to the product or other property.

**CAUTION!****The Caution admonition**

Indicates a hazardous situation which if not avoided could result in minor or moderate injury as well as damage to the product or other property.

**NOTICE****The Notice admonition**

Indicates an important but not hazardous situation which if not avoided could result in damage to the product or other property.

- i** Provides information about the conditions or circumstances under which the information given applies.

Warnings and precautions



CAUTION!

Operation, driving

Permobil recommends the use of wheelchair lights at all times whenever the user is riding near public rights of way. Use extreme caution when driving near unprotected edges, drops or on elevated surfaces. Unintended movement or excessive speed in such areas can lead to personal injury or property damage.

**CAUTION!****Operation**

Do not drive the wheelchair over any curbs or obstacles higher than specified in the technical specifications section of the manual. When driving over a curb or similarly elevated surface, cross it at a 90-degree angle (perpendicular). Crossing such surfaces at any other angle may result in the wheelchair tipping.

Reduce your speed when driving on uneven terrain or soft surfaces. Never use your wheelchair on stairs or escalators. Always take the lift.

Do not lift or move the wheelchair by any of its removable parts. Doing so could lead to personal injury and property damage, including damage to the wheelchair.

**CAUTION!****Operation, pulling and minor impacts**

Do not use the wheelchair to pull any kind of object and never hang excessive weights on the backrest. Doing so could lead to personal injury and property damage, including damage to the wheelchair.

In the event of a collision with a wall, door or other fixed object when operating the wheelchair, always make sure all parts of the wheelchair are undamaged before operating it again. Failure to do so could lead to personal injury.

**CAUTION!****Operation, adjust seating system for elevations**

Be sure to adjust the position of your seating according to the limitations applicable to the wheelchair concerned before climbing obstacles or driving on uneven surfaces or slopes.

**WARNING!****Risk of tipping over**

Do not allow the leg support to hit the ground when climbing obstacles or driving on uneven surfaces or slopes. Make sure there is sufficient ground clearance.

**CAUTION!****Operation**

Do not let children drive the wheelchair without supervision. Do not drive the wheelchair on public streets or roads. Obey all local pedestrian rules and be aware that vehicle drivers may have difficulty seeing you.

Do not operate your wheelchair under the influence of alcohol. Consumption of alcohol may impair your ability to operate your wheelchair safely.

Some physical impairments or the use of prescription and non-prescription medication may limit your ability to operate your wheelchair safely. Be sure to consult with your physician about your physical limitations and medications.

**WARNING!****Modifications**

Do not modify your wheelchair or any of its components. Your wheelchair has been configured specifically for your needs as prescribed by your healthcare provider, and special skills, training and knowledge are needed to set up, modify and repair this wheelchair.

Initial setup and all modifications and repairs must be performed by a qualified service technician. For guarantee service, contact the dealer from whom the wheelchair was purchased.

**WARNING!****Do not modify safety parameters**

The wheelchair is equipped with certain safety parameters that limit or inhibit wheelchair functions or, under certain conditions, prevent the wheelchair from being driven. Do not modify these safety parameters.

**WARNING!****Weight limitations**

The maximum user weight for your wheelchair is set forth in the technical specifications section in this user manual. Operation of the wheelchair by users who exceed the maximum allowable user weight can lead to personal injury and property damage, including damage to the wheelchair, as well as voiding any guarantee applicable to the wheelchair.

Do not carry passengers on the wheelchair. Doing so can lead to personal injury and property damage, including damage to the wheelchair.

**CAUTION!****Prior to riding**

In some instances, including where certain medical conditions exist, users should practise operating their wheelchair under the supervision of an assistant who is familiar with the operation of the wheelchair and with the abilities and limitations of the user.

**CAUTION!****Operation - slopes**

When driving downhill, select the slowest speed and proceed with caution. Driving down a slope may shift the user's centre of gravity forward. If the wheelchair rolls faster than you would like, stop the wheelchair by releasing the joystick and begin descending again more slowly.

Avoid sudden stops or starts. Stop by releasing the joystick rather than by turning the power off. Turning off power while the wheelchair is in motion will cause the wheelchair to stop suddenly. Permobil recommends the use of securely fastened positioning belts at all times.

When driving up a slope, try to keep moving at a steady speed. Stopping and starting the wheelchair while moving up a slope makes the wheelchair more difficult to control.

Do not drive up or down slopes with gradients greater than those set forth in the technical specifications section of this User's Manual. There is a risk that the wheelchair will not manoeuvre safely.

**WARNING!****Operation - inclines**

Do not drive the wheelchair where the sideways gradient is greater than that set forth in the technical specifications section of this User's Manual. There is a risk of tipping over.

Do not drive up or down ramps that are not equipped with proper edge protection along the sides to prevent the wheelchair from falling off the ramp.

When driving up an incline, be sure to drive the wheelchair straight up the incline (perpendicular). Driving up an incline at an angle increases the risk of tipping or falling. Use extreme caution when driving up inclines.

Do not drive up or down hazardous inclines such as a surface covered with snow, ice, or wet leaves, or a surface that is uneven. Also avoid driving on ramps that do not have proper edge protection.

**WARNING!****Operation - turning**

Turning your wheelchair at high speeds may cause the wheelchair to topple with personal injury as a result. The risk of tipping over is increased by high turning speeds, sharp turns, uneven surfaces, abrupt changes in direction, and driving from an area of low traction (e.g. lawn) to an area of high traction (e.g. pavement).

To avoid tipping over, personal injury and property damage, reduce speed and turn less sharply.

**WARNING!****Operation - free-wheel mode**

In order to prevent the wheelchair from rolling away, make sure it is on a level surface before releasing the brakes.

To avoid personal injury, do not use your wheelchair in free-wheel mode without an attendant present. Do not attempt to put the wheelchair in free-wheel mode yourself while sitting in it.

Do not put your wheelchair in free-wheel mode while on an incline. This may cause the wheelchair to roll on its own, causing injury and property damage, including damage to the wheelchair.

**CAUTION!****Driving range**

The driving range stated in the technical specifications of this manual represents the theoretical driving range when testing the wheelchair according to EN12184 and ISO 7176-4. This test is performed under ideal conditions and actual driving ranges will vary depending on the battery charge, tyre selection and driving conditions. Frequent driving on slopes, rough ground or frequently climbing curbs etc. will also reduce the driving range.

**CAUTION!****Driving in the dark**

Driving in the dark is only permissible if the wheelchair is equipped with functioning lighting at the front and rear, or as per applicable national or local traffic regulations.

**WARNING!****Passengers**

The wheelchair is not intended to carry passengers, regardless of the age of the passenger. The maximum user weight for your seating system is stated in the technical specifications section of this User's Manual. The stated user weight includes the user and any personal effects. The maximum limit may not be exceeded. The wheelchair's manoeuvrability and stability can be degraded as a result.

**WARNING!****Driving with seat lift, seat tilt, backrest recline**

Make absolutely sure that nothing gets stuck between the chassis and the seat when the seat lift and/or seat tilt is operated. Operating the seat lift, seat tilt and/or backrest recline changes the centre of gravity and increases the risk of tipping over. Always drive at low speed and only use these seat functions on level ground – not on hills, ramps, slopes or other inclines. Using these seat functions while driving on inclines may lead to personal injury and property damage, including damage to the wheelchair.

**WARNING!****Centre of balance**

The likelihood of the wheelchair tipping and the point at which the wheelchair will tip forward, backward or to the side depends on its centre of balance. Note that the following factors affect the wheelchair's centre of balance:

- Elevation of the seat.
- Height and angle of the seat.
- Body position or weight distribution.
- Driving on an incline such as a ramp or a hill.
- The use of a rucksack or other accessories, depending on the amount of weight added.

If the wheelchair begins to move in an unexpected manner, release the joystick immediately to stop the wheelchair. Except in an emergency, do NOT use the On/Off button to stop the wheelchair, as this will cause the wheelchair to stop abruptly which may cause personal injury.

**WARNING!****Fixed seat post**

Only authorised service providers may adjust seat height.

**WARNING!****Positioning belt**

The positioning belt is an accessory.

A qualified service technician should install the positioning belt. Before operating the wheelchair, make sure the positioning belt is correctly installed and that no excess material hangs down. Excess belt strap material could become caught in the wheelchair or other places in the surrounding area and cause injury to the user or damage to the wheelchair and its surroundings.

While the wheelchair is in use, the positioning belt, and any other components installed for the unique safety and positioning needs of the user, should be securely fastened.

If any sign of damage or wear appears, contact your Permobil dealer right away to obtain a replacement.

**WARNING!****Support wheels**

If the wheelchair is equipped with support wheels, they must always be fitted when the wheelchair is being driven.

**WARNING!****Transfer into and out of the wheelchair**

Make sure the power is turned off before getting into or out of the wheelchair and before lifting the control side armrest.

When transferring into or out of the wheelchair, every precaution must be taken to reduce the distance between the wheelchair and the place to which the user is transferring. Too great a distance may cause the user to overexert him or herself, lose balance, or fall.

Permobil recommends that users transfer in the presence, or with the assistance, of an attendant.

Use caution when bending or reaching.

Never use the joystick as a handle or support.

Do not use footplates or armrests as supports when transferring into or out of the wheelchair. The footplates and armrests are not designed as load-bearing structures. Excessive force may cause them to give way, resulting in personal injury or property damage, including damage to the wheelchair.



Figure 1. Do not use footplates or armrests as supports.



Figure 2. Fold up the footplates. Pull the chair as close as possible.



NOTICE

Transporting the wheelchair

The wheelchair may be transported only in a vehicle that is approved for this purpose. The vehicle must be suitably designed, insured and equipped to transport a person in a wheelchair. No matter how securely it is fastened in the vehicle, a wheelchair is not designed to be a car seat and cannot offer the same degree of safety as is offered by standard car seats.

Before the transportation, confirm that the wheelchair is properly secured and that both wheel locks are engaged. Secure the wheelchair to the vehicle only at the tie-down points, both front and rear (marked with yellow stickers). Follow the manufacturer's instructions provided with the fastening straps. Instead of using fastening straps, the wheelchair may be secured with a locking system that is approved by Permobil. For alternative vehicle securement options, please consult your dealer.

**CAUTION!****Damage during transport**

It is extremely important to inform Permobil if the wheelchair and its accessories have suffered transport damage, damage during driving or damage from other causes as soon as possible after the event. There is a risk that the wheelchair and its accessories can no longer be used safely and securely. You need to contact your service provider or Permobil for further information. See contact information:

Head office of the Permobil group.

**DANGER!****Risk of injury – user transported in wheelchair**

Permobil recommends that users not be transported in any vehicle while seated in the wheelchair.

If the wheelchair must be transported while the user is seated in it, the following requirements must be fulfilled:

- the vehicle is equipped with a locking system that is approved by Permobil. For alternative vehicle securement options, please consult your dealer.
- the locking system must be dimensioned for the total weight of the wheelchair and the user.
- the user uses a three-point seat belt attached to the vehicle.
- the wheelchair itself must be crash tested and approved.
- the wheelchair should be fitted with a headrest during transit.

If any of these requirements are not met, the user must be transferred to a vehicle seat and use a factory installed three-point seat belt during the journey.

**WARNING!****Positioning belt does not replace a seat belt**

The seating system's positioning belt is designed only to position the user; it does not provide any protection in the event of a road traffic accident. The positioning belt does not replace the use of a vehicle-mounted three-point seat belt during journeys.

**WARNING!****Secure loose objects during transportation**

Auxiliary wheelchair equipment, loose or mounted on the wheelchair, must either be secured to the wheelchair or removed from it. Disassembled or movable auxiliary equipment must be properly secured in the vehicle during transportation. This is to prevent loose parts or parts that may come loose from causing injury to the occupants while in transit.

**CAUTION!****Driving in extreme weather conditions**

Our wheelchairs are designed to withstand most adverse weather conditions. However to minimise the risk of being caught in difficult situations, you should avoid using the wheelchair outdoors in e.g. severe cold, heavy rain or thick snow.

Also bear in mind that certain surfaces on the wheelchair can get very hot or cold in the event of prolonged exposure to intense sunlight or cold.

**WARNING!****Environmental conditions**

Protect the wheelchair from exposure to any type of moisture, including rain, snow, mud or wash. Exposure to moisture may cause the chair to short-circuit, catch fire and cause personal injury or property damage. If it has been exposed to moisture, do not operate your wheelchair until it has dried completely.

If any of the covers or the joystick boot has cracks or tears, it must be replaced immediately. Failure to do so may allow moisture to enter the electronics and cause personal injury or property damage, including fire.

Do not operate your wheelchair in icy or slippery conditions. Such conditions can lower the performance and safety of your wheelchair which could lead to an accident, personal injury and property damage, including damage to the wheelchair.

Exercise extreme caution when using oxygen in close proximity to electrical circuits and other combustible materials. Contact your oxygen supplier for instruction in the use of oxygen.

**CAUTION!****Maintenance and service**

Only carry out the minor adjustments and maintenance specified in the User's Manual. All other service, repairs and maintenance on Permobil products, including control system programming, must be performed by a qualified service technician authorised by Permobil. Incorrect settings may result in unsafe operation of the wheelchair and cause it to become unstable or uncontrollable. Such modifications may also render the product's guarantee invalid.

**CAUTION!****Non-approved aftermarket accessories**

Do not use parts or accessories not authorised by Permobil.

The use of non-approved aftermarket accessories and parts may cause changes in the wheelchair that make it unstable or uncontrollable.

The use of unauthorised parts or accessories may result in the product guarantee being voided.

**CAUTION!****Non-approved electrical or electronic devices**

Connecting non-approved electrical or electronic devices to the wheelchair's electrical system may cause damage to the wheelchair and make it uncontrollable or erratic. Such use may also render the guarantee invalid.

**CAUTION!****Risk of getting caught in crush points**

The wheelchair is heavy and contains many moving parts, which means there is an ever-present risk of getting caught in pinch points.

**WARNING!****Charging batteries**

Charge batteries in a well-ventilated room, not in a wardrobe or cupboard. Batteries must not be charged in a bathroom or wet room. Only use chargers with maximum 10 A charging current (average value). The charging current RMS value must not exceed 12 A. When the charger is connected, the wheelchair cannot, and may not, be driven.

**WARNING!****Replacing batteries and circuit breakers**

Always turn the main circuit breaker to the Off-position when replacing batteries or circuit breakers.

Exercise caution when using metallic objects during work with batteries. A short-circuit can easily cause an explosion. Always use protective gloves and goggles.

**WARNING!****Safety circuits**

The products are equipped with safety circuits. Inhibit circuits prevent the wheelchair from being driven under certain conditions. Speed reduction circuits limit the wheelchair's maximum speed under certain conditions. Limit switch circuits limit the wheelchair's functions under certain conditions. Overload protection circuits switch the wheelchair off in the event of overload. Stop using the wheelchair immediately and consult an authorised Permobil distributor should any of these circuits become disabled.

Any attempt to modify the safety circuits will result in unsafe wheelchair operation and may cause the chair to become unstable or uncontrollable. Such modifications may also render the wheelchair's guarantee invalid.

**CAUTION!****Recycling of batteries**

Used or broken drive batteries must be disposed of in an environmentally friendly manner in accordance with applicable local recycling regulations.

**WARNING!****Inflating tyres**

At regular intervals, check that the wheelchair's tyres have the correct pressure. Incorrect tyre pressure may cause stability and manoeuvrability to deteriorate.

**NOTICE****Changing tyres**

Avoid the use of sharp-edged tools when working with tyres.

**NOTICE****Storage**

Always turn off the wheelchair and its accessories when it is not in use. Always store the wheelchair so that access for unauthorised individuals is prevented.

Never store the wheelchair in a room where there is a risk of condensation (moisture or dampness on the surfaces) e.g. in pool areas, laundry rooms, or similar.

If you are unsure how your wheelchair and its accessories should be properly stored, contact your supplier or Permobil for more information.

**WARNING!****Damage and/or malfunctions**

If you feel the wheelchair is not behaving as it should in any regard, or if you suspect that something is wrong, stop driving as soon as possible, switch off the wheelchair and contact your service provider or Permobil for further information. See contact information:

Head office of the Permobil group.

**WARNING!****Flame resistance**

Fabric components have been tested for flammability. Padded parts fulfil the requirements of EN 1021-1, EN 1021-2 and ISO 7176-16. Plastic parts fulfil the requirements of UL94.

**CAUTION!****EMC requirements**

The electronics in a powered wheelchair can be affected by external electromagnetic fields (e.g. from mobile phones). Similarly, the electronics in the wheelchair itself also emit electromagnetic fields that may affect the immediate surroundings (e.g. certain alarm systems in businesses).

The Electromagnetic Compatibility (EMC) limit values with respect to powered wheelchairs are set forth in the harmonised standards for the EU in the Medical Devices Directive, No. 93/42/EEC.

Our powered wheelchairs comply with these limit values.

Design and function

Overview	46
General	47
Drive package and shock absorbers	48
Wheels	48
Lights and reflectors	49
Batteries	50
Main circuit breaker	51
Charging socket	52
Powered seat functions	52
Manual seat functions	61

Overview

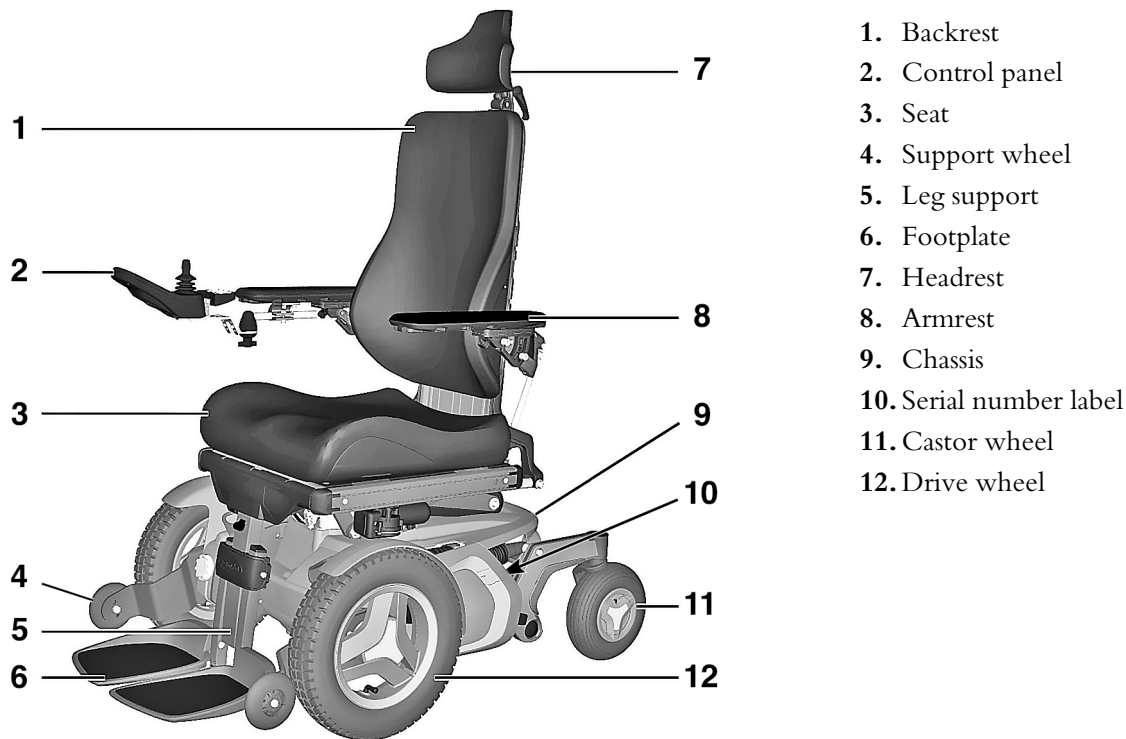


Figure 3. Main components that will be addressed in this manual.

General

The Permobil F5 Corpus is a powered front-wheel drive wheelchair for outdoor and indoor driving. The intended use of the F5 Corpus is to provide indoor and outdoor mobility to persons limited to a seating position and capable of operating a powered wheelchair.

The wheelchair consists of a chassis and a seat. The chassis contains the wheelchair's electronics, power supply and drive functions. The seat consists of a seat frame, seat plate, backrest, armrest, leg support, seat lift or fixed seat pole and any accessories or options such as a headrest, calf rest, etc.

Drive package and shock absorbers

The wheelchair is equipped with two shock absorbers and a drive package for each drive wheel.



NOTICE

Shock absorber adjustments should be performed by personnel who are well-acquainted with the design and functionality of the wheelchair. When adjustment is needed, contact an authorised Permobil service centre.

The drive package consists of an electric motor with a gearbox and magnetic wheel lock.

Wheels

The wheelchair's drive wheels are available with pneumatic or flat-free (foam-filled) tyres. The castor wheels have solid polyurethane tyres.

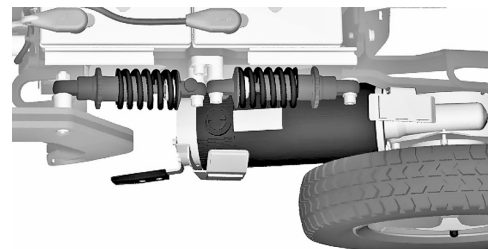


Figure 4. Drive package and shock absorbers.

Lights and reflectors

The wheelchair is equipped with reflectors at front, rear and sides.

Front lights, rear lights and indicators are optional.

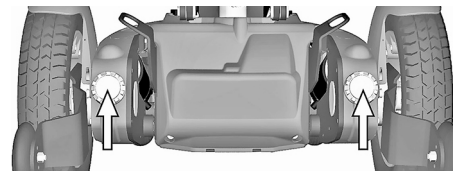


Figure 5. Front reflectors.

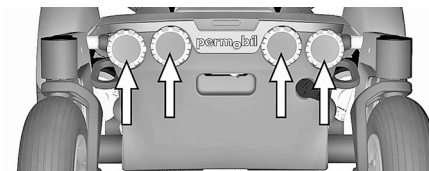


Figure 6. Back reflectors.

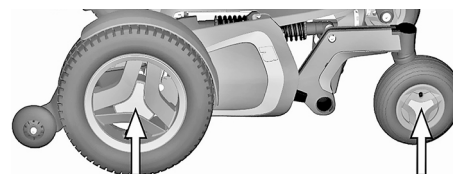


Figure 7. Side reflectors.

Batteries

The wheelchair's batteries are located under the covers of the chassis. Both batteries are easily accessible for maintenance and replacement.



WARNING!

Handling batteries - avoid short-circuit

Exercise caution when using metallic objects during work with batteries. A short-circuit can easily cause an explosion. Always use safety gloves and goggles.

Remember that the batteries are heavy and must be handled with great caution.



NOTICE

Batteries - used or malfunctioning

Used or malfunctioning batteries must be disposed of responsibly in accordance with local recycling regulations.

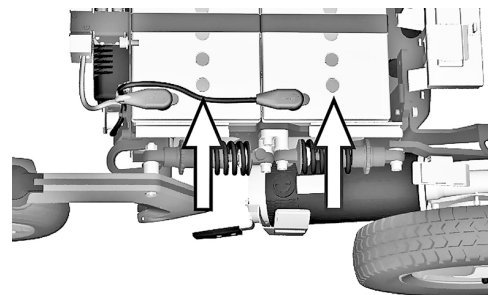


Figure 8. Location of batteries.

Main circuit breaker

The wheelchair is equipped with an automatic main fuse which can be reset when it has been triggered.

It also functions as a battery isolator and is controlled, on or off, by using the lever found in a slot in the rear cover of the chassis.



NOTICE

Investigate tripped main circuit breakers

A tripped main circuit breaker often indicates a major electrical fault. The cause should be carefully investigated before resetting.



NOTICE

Before using the main circuit breaker

Always switch off the power to the control panel before switching off the main power with the main circuit breaker.

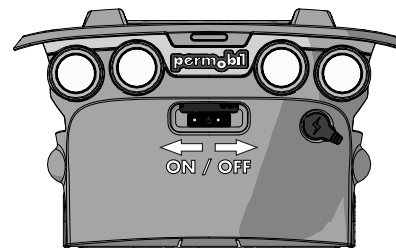


Figure 9. Main circuit breaker location.

Charging socket

The charging socket is located at the rear of the chassis. The socket is covered with a protective cover; open it to access the socket.



CAUTION!

Switch off main circuit breaker

Always switch off the power supply to the control panel before interrupting the power with the main circuit breaker.

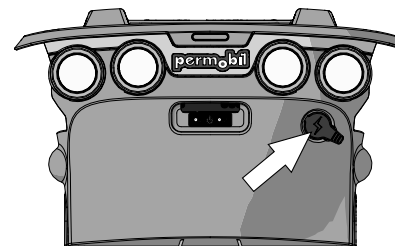


Figure 10. Charging socket

Powered seat functions

The powered seat functions are driven by an electric actuator which is steplessly controlled from the control panel of the wheelchair. The movement can be interrupted in any position and fixed there.

Available functions may vary depending on how the seat is equipped.

Functions

Available functions may vary depending on the equipment fitted on your wheelchair.

- seat lift
- seat tilt
- backrest recline
- anterior tilt
- leg support
- powered adjustable leg length



WARNING!

Risk of pinching while using seat functions

There is a risk of crush-point accidents when using the powered seat functions. Make absolutely sure that nothing gets stuck between moving parts. Failure to do so may lead to personal injury.

Powered seat lift

A power-controlled seat lift allows stepless raising or lowering of the seat in order to adjust the height to tables, benches etc.

When the seat lift is raised from the lowest position, the maximum speed of the wheelchair may be reduced.



WARNING!

Tipping risk - driving with seat functions in use

When operating the seat functions, the centre of gravity is also shifted, increasing the risk of tipping over. Only use the seat functions on a level floor.

Always drive at the lowest speed and never tilt the seat or back so far that the wheelchair cannot be manoeuvred safely.



Figure 11. Powered seat lift.

Powered seat tilt

The power-controlled seat tilt makes it possible to set the preferred seat angle within the operating range.



WARNING!

Tipping risk - driving with seat functions in use

When operating the seat functions, the centre of gravity is also shifted, increasing the risk of tipping over. Only use the seat functions on a level floor.

Always drive at the lowest speed and never tilt the seat or back so far that the wheelchair cannot be manoeuvred safely.



Figure 12. Powered seat tilt.

Powered backrest

The backrest angle can be adjusted (via the recline control), allowing the user to set a recline angle as needed within the operating range.



WARNING!

Risk of pinching while using seat functions

There is a risk of crush-point accidents when using the powered seat functions. Make absolutely sure that nothing gets stuck between moving parts. Failure to do so may lead to personal injury.



Figure 13. Powered backrest.

Anterior tilt

i Following section only applies to wheelchairs equipped with anterior tilt.

The anterior tilt function is only available on wheelchairs equipped with a powered seat lift and seat tilt.

The anterior tilt function has programmable positions to meet individual needs. Typical tilt positions are: 10°, 20° and 30° — 45°.

- 10° makes it easier to reach objects, for instance on a table.
- 20° extends your reach further.
- 30° — 45° makes it easier to transfer into and out of the seat; the footplates are lowered to floor level in these positions.

When the seat is being tilted forwards or backwards, it will stop when it reaches a pre-programmed position or a neutral, not tilted, position. In order to continue the movement forwards or backwards from a position, press the button or repeat the joystick manoeuvre again. The tilt angle may vary depending on how the anterior tilt is programmed and if any positioning limitations apply.

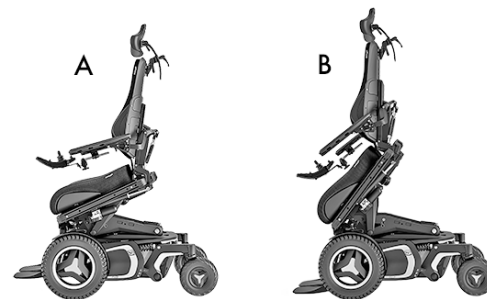


Figure 14. Anterior tilt.

**WARNING!****Anterior tilt**

Improper use of the anterior tilt feature on the wheelchair could cause the user to fall forward causing injury. Only use anterior tilt when recommended by a licensed clinical professional and/or ATP. Always use all positioning components on the wheelchair such as lap belts, chest straps, and knee blocks. They are installed to meet the user's specific safety needs.

**WARNING!****Risk of pinching while using seat functions**

There is a risk of crush-point accidents when using the powered seat functions. Make absolutely sure that nothing gets stuck between moving parts. Failure to do so may lead to personal injury.

Powered leg support

The leg supports can be raised to the preferred angle within the operating range.



Figure 15. Power leg supports.

Powered adjustable leg length

Powered adjustable leg support permits steplessly variable adjustment of the height of the footplate (leg support length). In this way, the pressure on the back of the thighs is easily adjusted.

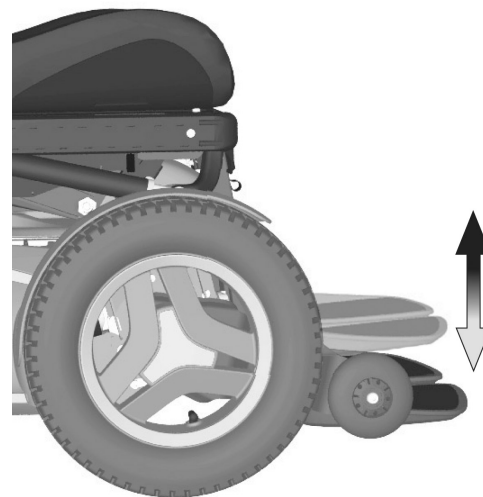


Figure 16. Power adjustable leg length.

Manual seat functions

The seat can be adjusted manually by adjusting manual locking poles with quick-acting locks in a number of fixed positions. Available functions may vary depending on the equipment fitted on your wheelchair.



Figure 17. Manual clamping pole for the backrest recline.

Leg support angle

The angle of the leg support is adjusted via an adjustable locking pole with a quick-acting lock. The leg support can be adjusted from the vertical position all the way up to the horizontal position and be locked in a number of fixed positions in between.

1. Pull out the quick-acting lock's spring-action handle so that the locking pole moves freely and the leg support can be angled.
2. Adjust the leg support angle to the required angle and then lock the locking pole securely by releasing the handle so that it engages with the intended hole in the locking pole.
3. Check that the leg support is locked in position.



WARNING!

Risk of crushing while adjusting leg support angle

Do not put weight on the leg support while adjusting the angle. There is a risk of crush-point accidents.



Figure 18. Manually adjusting leg support angle.

Backrest recline

The angle of the backrest is adjusted via an adjustable locking pole with a quick-acting lock in a number of fixed positions. From an upright position, the backrest can be inclined maximum 45° backwards.

1. Pull out the quick-acting lock's spring action handle so that the locking pole moves freely and the backrest can be angled.
2. Adjust the backrest angle to the required angle.
3. Lock the locking pole securely by releasing the handle so that it engages in the intended hole in the locking pole.
4. Check that the backrest is locked in position.



WARNING!

Risk of crushing while adjusting backrest angle

Do not put weight on the backrest while adjusting the angle. There is a risk of crush-point accidents.



Figure 19. Manually adjusting backrest angle.

Settings and adjustments

Leg support.....	66
Footplates	68
Knee support	70
Armrest.....	73
Backrest	80
Panel holder	83
Accessories	85

Leg support



WARNING!

Risk of crushing while adjusting leg support

Do not subject the leg support to load while adjusting.

Leg support top cover

The leg support cover must be removed in order to adjust the leg supports.

1. Remove the leg support cover by undoing the two screws.
2. Pull the cover directly forward.
3. Adjust the leg supports as preferred.
4. Push the leg support cover into place.
5. Secure the cover with the two screws.

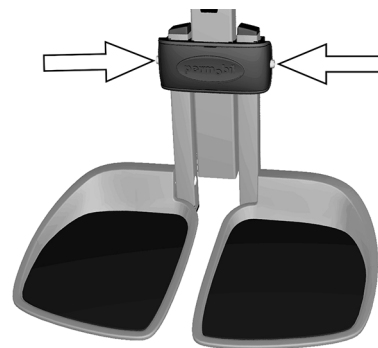


Figure 20. Adjustment screws for leg support cover.

Leg support length

The leg support length can be adjusted continuously and secured using two locking screws.

1. Remove the leg support cover.
2. Undo the leg support's two inner locking screws.
3. Adjust the leg support to the required length and secure by tightening the locking screws.
4. Check that the leg support is fully secured.
5. Re-fit the leg support cover.



WARNING!

Risk of injury – adjust floor-to-footplate clearance

After adjustment, and with the seat lift in its lowest position, make sure there is sufficient clearance, at least 25 mm, between the ground and the footplate at all times when moving the leg support in or out. Perform this test with the user sitting in the wheelchair with his or her feet on the footplates.

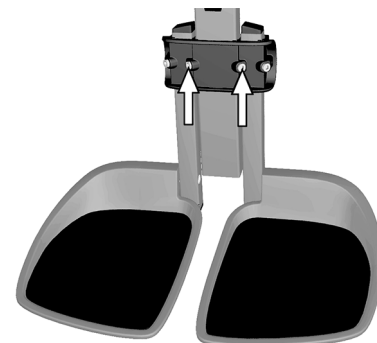


Figure 21. Adjustment screws for leg support cover.

Footplates



WARNING!

Risk of crushing while adjusting footplates

Do not subject the footplates to load while adjusting.

Footplate height

The height of the footplates can be adjusted individually and steplessly. They are secured using the two outer locking screws.

1. Remove the leg support cover.
2. Undo the footplates' locking screws.
3. Adjust the footplates to the required height and secure by tightening the locking screws.
4. Check that the footplates are fully secured.
5. Replace the leg support cover.

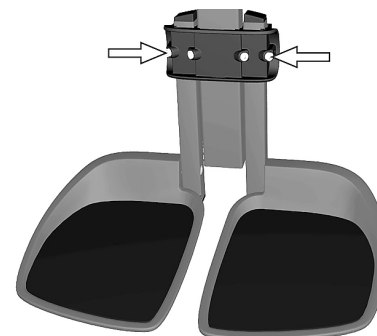


Figure 22. Adjusting footplate height.

**WARNING!****Risk of injury – adjust floor-to-footplate clearance**

After adjustment, and with the seat lift in its lowest position, make sure there is sufficient clearance, at least 25 mm, between the ground and the footplate at all times when moving the leg support in or out. Perform this test with the user sitting in the wheelchair with his or her feet on the footplates.

Footplate angle

The angle of the footplates is adjusted using detent screws under each footplate.

1. Tilt up the footplate.
2. Undo the lock nut.
3. Set to the required angle by adjusting the detent screw in or out.
4. Lock the stop screw in the required position using the lock nut.

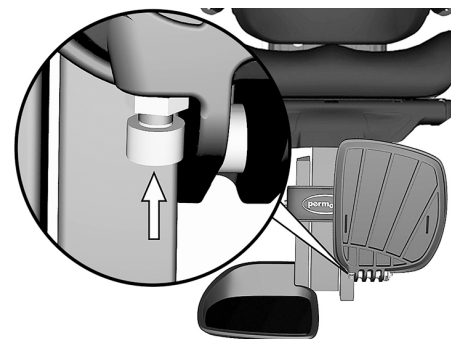


Figure 23. Footplate angle detent screw.

Knee support

For this task, the following tools are necessary:

- 1 Allen key 4 mm.
- 1 Allen key 5 mm.



WARNING!

Leg support actuator – do not use on its own

You cannot operate the leg support actuator on its own when the knee support is fitted. If the actuator is operated on its own while the knee support is fitted, it may lead to serious injury.



WARNING!

Adjustment by authorised technician

This product has to be adjusted by an authorised service technician. If the product is incorrectly adjusted, it can cause damage to the user and/or the product.

Knee support depth

The depth of the knee supports can be adjusted to give the user optimal comfort.

Rotate the knob clockwise, or anti-clockwise, to adjust the knee support to a suitable depth.

There should be approximately 2,5 cm of space between the knee support and the leg when adjusted correctly in a seated position.



Figure 24. Adjusting the knee support depth.

Knee support width

The width of the knee supports can be adjusted to give the user optimal comfort.

Loosen the two screws and adjust the knee support pad to a suitable position. Retighten the screws to fix into position.

You can customise how embracing the knee pad is by bending it with your hands.

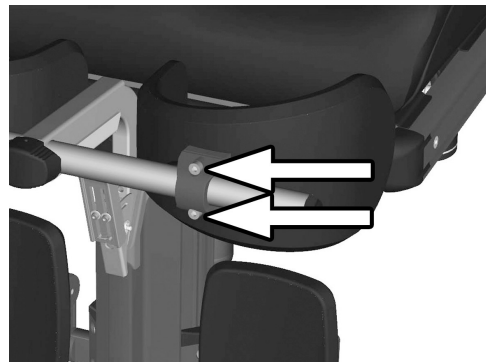


Figure 25. Adjusting the knee support width.

Knee support height



WARNING!

Risk of injury - check pole lock

Check that the pole is locked in position by pulling the support frame upwards. Failure to lock the pole correctly may lead to personal injury.

The height of the knee supports can be adjusted to give the user optimal comfort.

Remove the screw and position the quick lock to a suitable position. Retighten the screw to fix into position.

Armrest



WARNING!

Risk of crushing while adjusting armrests

Do not subject the armrests to load while adjusting.

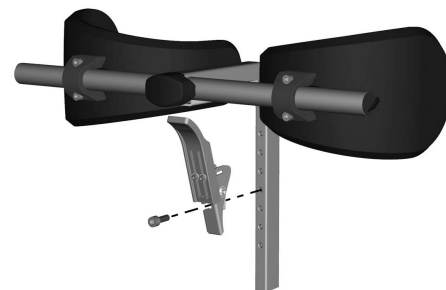


Figure 26. Adjusting the knee support height.

Armrest rotation

The armrests can be angled inwards or outwards in order to provide optimal comfort for the user. The angle can be changed by pushing the front section of the armrest in or out.



WARNING!

Driving with armrest pointing outwards

Do not pass through narrow passageways with the armrest pointing outwards. This may lead to personal injury and property damage, including damage to the wheelchair.

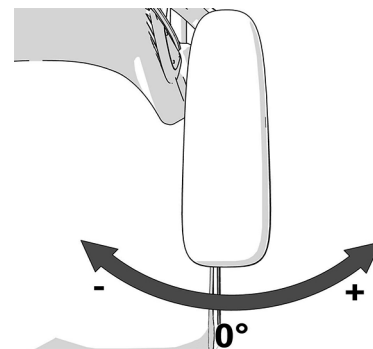


Figure 27. Adjusting the armrest angle.

Setting armrest rotation in end position

The end positions are set by moving one or two screws between three different positions underneath the armrest. Fold the armrests up to get easier access to the screws.

1. Fold up the armrest.
2. Remove the screws underneath the armrest.
3. Insert the screws in the preferred positions.
4. Fold down the armrest.



Figure 28. Adjusting the armrest rotation end position.

Armrest height

The following tools are necessary for this task:

- 1 Allen key 5 mm.

The height of the armrests can be adjusted for optimal comfort. Refer to the scale on the centre of the backrest to see the current height of the armrest.

1. Loosen the four screws on the rear of the backrest that secure the height of the armrest.
2. Adjust the armrests to the required position using the adjustment screw on the rear of the backrest.
3. Secure the height of the armrest by tightening the four screws on the rear of the backrest.

Armrest length

The armrest pads can be replaced and are available in different lengths and with different upholstery.



Figure 29. Adjusting the armrest height.

Armrest angle

The armrests are both individually foldable. The armrest angle can easily be adjusted for optimal comfort.

1. Loosen the two lock nuts on the adjustment bars.
2. Adjust the armrest angle by turning the adjustment bars.
3. Tighten the two lock nuts to secure the adjustment bars in position.



WARNING!

Risk of crushing while adjusting armrests

Do not subject the armrests to load while adjusting.

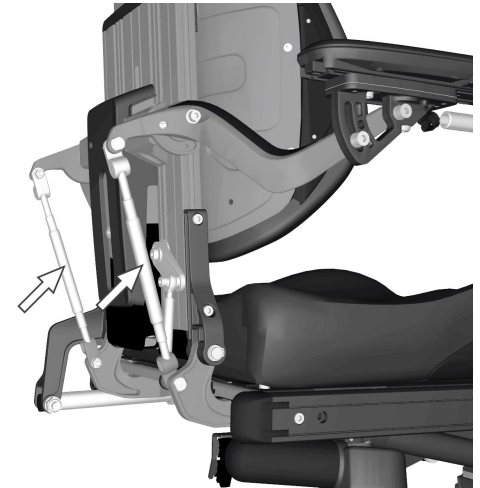


Figure 30. Armrest angle adjustment bars.

Armrest height and angle

The following tools are necessary for this task:

- 1 Allen key 8 mm.

The armrest height and angle are normally adjusted as described previously. However, for special needs, the armrests can be adjusted individually for users who want a left and right armrest at different heights and/or angles. The angle of the armrest is secured using a screw.

1. Loosen the two nuts (D) securing the position of the adjustment bar.
2. Adjust the armrest by turning the adjustment bar (C).
3. Secure into position by tightening the lock nuts (D).
4. Secure the armrest angle by moving the screw from a fixed position (A) to a flexible position (B).
5. Adjust the armrest to the required angle.
6. Secure by tightening the screw (B).

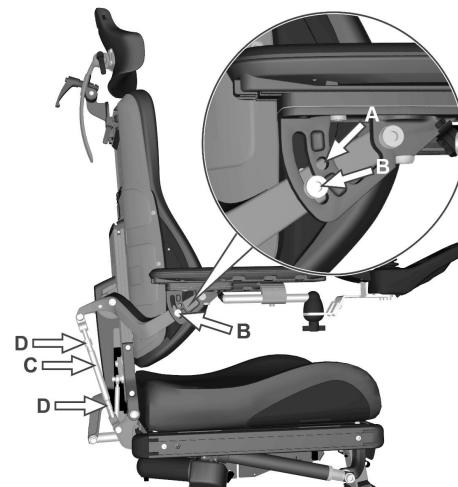


Figure 31 . Adjusting the armrest height and angle.

**NOTICE****Armrest flexible position**

This type of adjustment should only be made for special needs. It may have negative effects on the movement of the armrest when raising or lowering the backrest

**WARNING!****Risk of crushing while adjusting armrests**

Do not subject the armrests to load while adjusting.

Backrest

Removing backrest

To make transporting the wheelchair easier, the backrest can be removed in a few simple moves.

1. Remove the backrest cushion. It is fixed in place by means of Velcro on the rear of the cushion.
2. Remove the upper section of the backrest by carefully undoing the clip on the rear of the backrest and pulling the upper section straight up at the same time.

If necessary, the headrest can also be removed; see *Headrest*, Page 88.

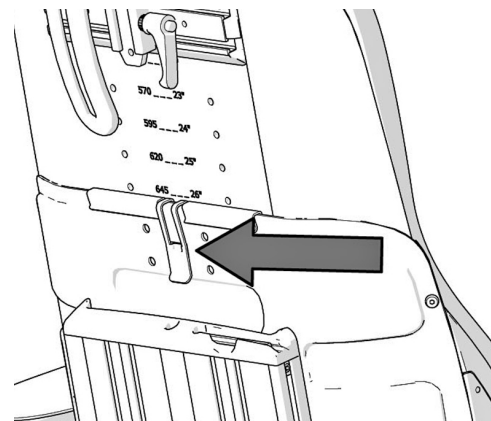


Figure 32. Clip holding the backrest.

Lumbar support

The lumbar support consists of three back cushions with Velcro fastening which can be separated, depending on how much lumbar support is required.

1. Remove the backrest cushion.
2. Adjust the lumbar support as required.
3. Re-fit the backrest cushion.

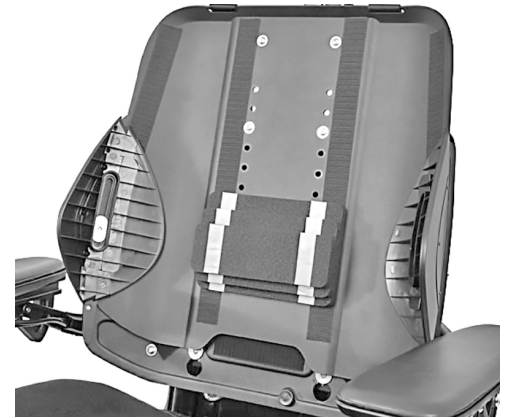


Figure 33. Lumbar support.

Trunk support

The height of the trunk support can be adjusted.

1. Remove the backrest cushion.
2. Loosen the screw on the rear of the backrest holding the trunk support in place.
3. Adjust the trunk support as required.
4. Tighten the screw.
5. Re-fit the backrest cushion.

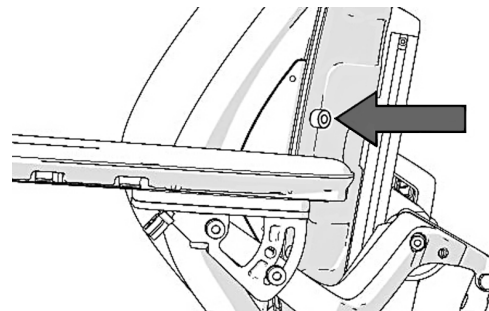


Figure 34. Trunk support screw.

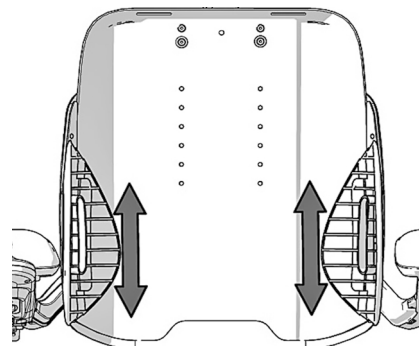


Figure 35. Adjusting trunk support height.

Panel holder

i The control panel holder can be mounted on the left or right armrest.

Rotational panel holder

The location of the control panel can be adjusted lengthwise for the optimal driving position. It is also possible to adjust the angle of the panel sideways to facilitate getting in and out of the wheelchair.

Length adjustment

1. Undo the screw (A) on the panel joint and adjust the panel to the required position.
2. Tighten the screw.

Angle adjustment with friction hinge

Using the knob (B) on the friction hinge, it is possible to adjust how easily the panel can be pushed out to the side.

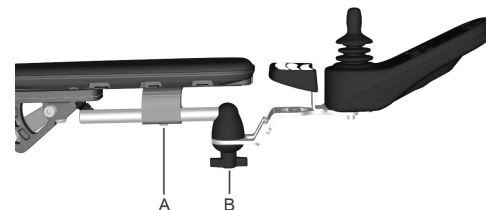


Figure 36. Rotational panel holder overview.

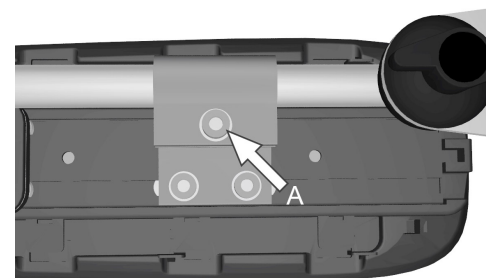


Figure 37. Screw for adjusting the panel holder length.

Parallel panel holder

The location of the control panel can be adjusted lengthwise for the optimal driving position. The panel can also be pushed out to the side, diagonally back, to facilitate getting in and out.

Length adjustment

1. Undo the screw on the underside (A).
2. Adjust the panel to the required position.
3. Tighten the screw.

Adjusting the friction hinge

Using the knob on the friction joint (B), it is possible to adjust how loose or tight the panel is for sliding to the side.

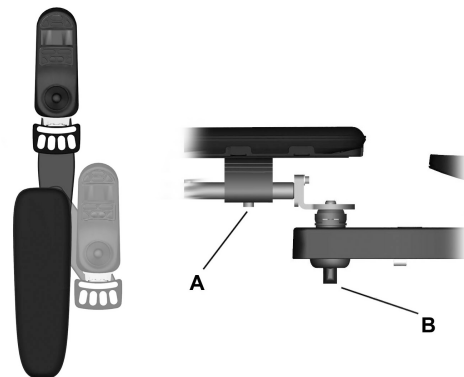


Figure 38. Adjusting the control panel position.

Accessories

Positioning belt

i Accessory

There is an accessory rail on each side of the seat frame intended for attaching a positioning belt, etc. The positioning belt should be fitted in the rail's upper groove.

1. Screw the belt in place, with the quick lock on whichever side suits the user best and the other part with the buckle on the opposite side.
2. Check that the belt buckle locks properly in the quick lock.



Figure 39. Attaching the positioning belt.



Figure 40. Positioning belt quick lock.

**WARNING!****Positioning belt**

The positioning belt is an accessory.

A qualified service technician should install the positioning belt. Before operating the wheelchair, make sure the positioning belt is correctly installed and that no excess material hangs down. Excess belt strap material could become caught in the wheelchair or other places in the surrounding area and cause injury to the user or damage to the wheelchair and its surroundings.

While the wheelchair is in use, the positioning belt, and any other components installed for the unique safety and positioning needs of the user, should be securely fastened.

If any sign of damage or wear appears, contact your Permobil dealer right away to obtain a replacement.

**WARNING!****Positioning belt does not replace a seat belt**

The seating system's positioning belt is designed only to position the user; it does not provide any protection in the event of a road traffic accident. The positioning belt does not replace the use of a vehicle-mounted three-point seat belt during journeys.

Headrest

i Accessory

This headrest has expanded adjustment options to give the user optimal comfort. The headrest can also be removed and remounted while preserving the same setting.



Figure 41 . Headrest overview.

Removing headrest

1. Undo the handle (C) on the rear of the backrest.
2. Remove the headrest by lifting it straight up.

Mounting headrest

Mount in the reverse order

Adjusting headrest height and depth

1. Undo the handle (A) on the rear of the backrest.
2. Adjust the height/depth of the headrest as required.
3. Tighten the handle (A).

Adjusting headrest angle

1. Undo the handle (B) on the rear of the headrest.
2. Adjust the angle of the headrest as required.
3. Tighten the handle (B).



NOTICE

Risk of damaging mechanism

Do not put weight on the headrest while adjusting it.

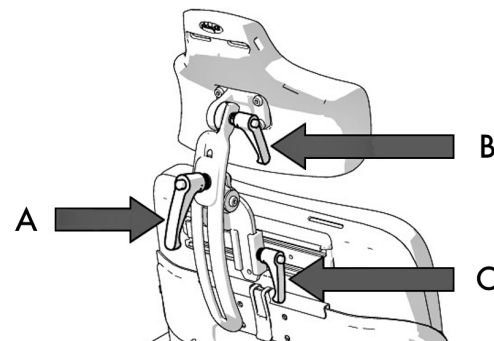


Figure 42. Adjusting headrest.

Permobil headrest with Link hardware

i Accessory

This headrest has expanded adjustment options to give the user optimal comfort. It is easy to find a correct fit for anyone and it may be removed and remounted while preserving the same settings.

Removing headrest

1. Undo the handle (A) on the rear of the backrest.
2. Remove the headrest by lifting it straight up (B).

Mounting headrest

1. Mount in the reverse order.

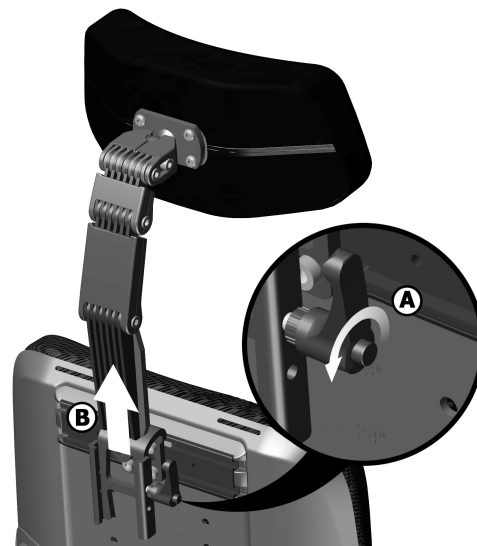


Figure 43. Removal of headrest.

Adjusting headrest height

1. Undo the handle (A) on the rear of the backrest.
2. Remove the headrest by lifting it straight up (B).
3. Adjust the height by changing the placement of the screw on the inside of the bracket. Place the screw in one of the four positions depending on the desired height. Position 1 provides the lowest setting and position 4 provides the highest setting.

i If position 1 is to be used, all the functions of the chair have to be tested with that position to avoid interference.

4. Mount in the reverse order.

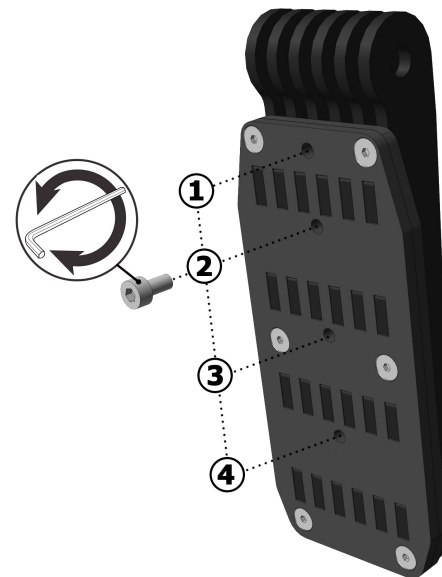


Figure 44. Height adjustment screw.

Adjusting headrest height and depth

1. Loosen the screws located at each link.
2. Adjust the height and depth by angling the links as required.
3. Tighten the screws.

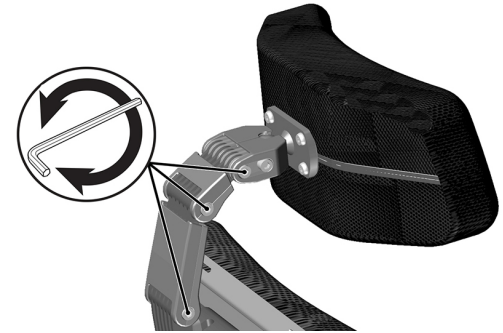



Figure 45. Adjust height and depth.

Adjusting headrest angle

1. Loosen the front bolt in the top link (A).
2. Adjust the headrest angle by freely changing the position of the headrest as required (B).
3. Tighten the screw.

 **NOTICE**
Risk of damaging mechanism

Do not put weight on the headrest while adjusting it.

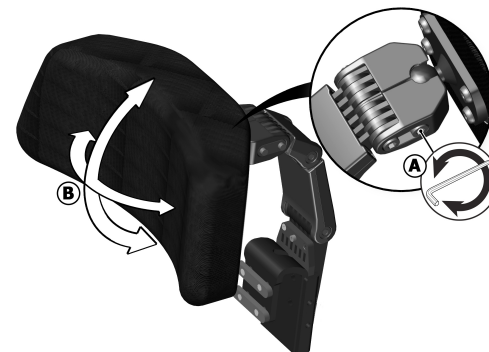


Figure 46. Adjustment of headrest angle.

R-net LCD control panel

General	97
Charger socket.....	98
Buttons and paddle switches	98
Jack sockets.....	104
Display	104
Bluetooth® mode.....	114
IR mode	127
Locking and unlocking the control system	139
Seat functions.....	140



Figure 47. Control panel overview.

- A. Hazard flashers on or off.
- B. Headlights on and off.
- C. Screen.
- D. Left indicators.
- E. Right indicators.
- F. Mode button.
- G. Profile button.
- H. Main power on or off; mode or profile selector.
- I. Maximum speed paddle, decrease or increase.
- J. Joystick.
- K. Horn button.

General

The overview image on the preceding page shows the basic functions of the control panel. All buttons, toggle switches and the joystick may have additional functionality.

The charging socket is located on the front of the panel

Figure 48 *Charger socket*

Two jack sockets are located on the base of the panel. One is intended for an external on/off switch and the other for an external profile switch. Figure 59 *Jack sockets*

The wheelchair may also be equipped with an extra seat control panel in addition to the control panel.

Charger socket

This socket may only be used for charging or locking the wheelchair. Do not connect any type of programming cable to this socket. Do not use the socket as a power supply for any other electrical device. Connection of other electrical devices may damage the control system or affect the wheelchair's EMC (electromagnetic compatibility) performance.



NOTICE

Use only the supplied battery charger

The wheelchair's guarantee will be rendered invalid if any device other than the battery charger supplied with the wheelchair or the lock key is connected via the control panel charging socket.

Buttons and paddle switches

On the control panel, there are a total of 7 buttons and 2 paddle switches.

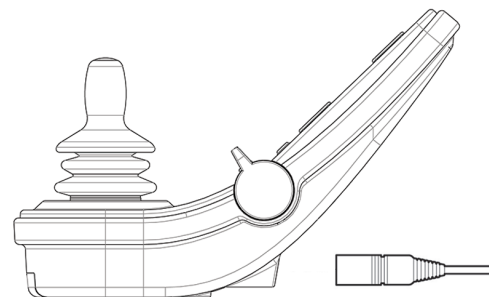


Figure 48. Charger socket

Power, mode and profile paddle

The paddle switch is used to switch the control system on or off.

Push the paddle forward to switch the power on and pull it backwards to switch the power off.

The paddle switch can also be used to scroll through the available profiles and modes. Push the paddle forward to scroll through the available profiles and modes.

i If your panel is equipped with an early version of the toggle switch as shown in figure 50, follow the description below.

Pull on the paddle switch to switch the power on or off.

The paddle switch can also be used to scroll through the available profiles and modes. Push the paddle forward to scroll through the available profiles and modes.



Figure 49. Power, mode and profile paddle.

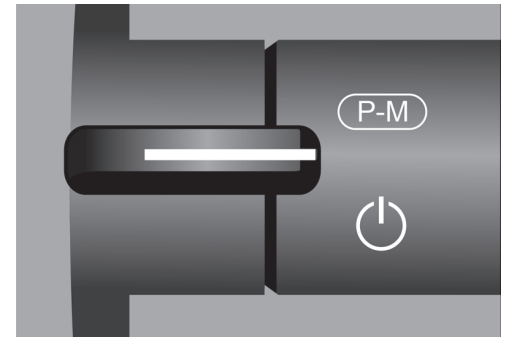


Figure 50. Power, mode and profile paddle switch, early version.

Maximum speed paddle

This paddle decreases or increases the wheelchair's maximum speed. The maximum speed indicator on the display shows the current setting. Push the paddle forward to increase the setting and backwards to decrease the setting.

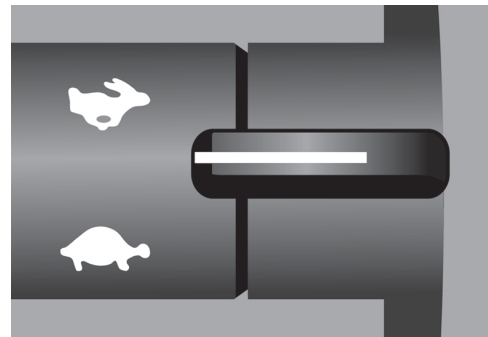


Figure 51. Maximum speed paddle, decrease or increase.

Horn button

The horn will sound while this button is depressed.



Figure 52. Horn button.

Mode button

The mode button allows the user to navigate through the available operating modes for the control system. The available modes depend on programming and the range of auxiliary output devices connected to the control system.



Figure 53. Mode button.

Profile button

The profile button allows the user to navigate through the profiles available for the control system. The number of profiles available depends on how the control system is programmed.



Figure 54. Profile button.

Function buttons

There are a total of four buttons located on the left and right sides of the display. The symbols on the display show the current button function.

Hazard warning button and screen symbol

i Only active if the wheelchair is fitted with lights.

This button switches the wheelchair hazard lights on or off. The hazard lights are used when the wheelchair is positioned in such a way that it constitutes an obstruction for others. Push the button to switch the hazard lights on and push it again to switch them off. When activated, the screen symbol will flash in sync with the wheelchair hazard lights.

Lights button and screen symbol

i Only active if the wheelchair is fitted with lights.

This button switches the wheelchair lights on or off. Push the button to switch the lights on and push it again to switch them off. When on, the lights screen symbol lights up.



Figure 55. Hazard warning button and screen symbol.

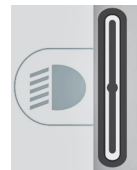


Figure 56. Lights button and screen symbol.

Left turn indicator button and screen symbol

i Only active if the wheelchair is fitted with lights.

This button switches the wheelchair's left turn indicator on or off. Push the button to switch the indicator on and push it again to switch it off. When activated, the left indicator screen symbol will flash in sync with the wheelchair's indicator.



Figure 57. Left turn indicator button and screen symbol.

Right indicator button and screen symbol

i Only active if the wheelchair is fitted with lights.

This button switches the wheelchair's right indicator on or off. Push the button to switch the indicator on and push it again to switch it off. When activated, the right indicator screen symbol will flash in sync with the wheelchair's indicator.



Figure 58. Right indicator button and screen symbol.

Jack sockets

The external On/Off switch jack (A) allows the user to turn the control system on or off using an external device such as a buddy button.

The external profile switch jack (B) allows the user to select profiles using an external device, such as a buddy button. To change the profile while driving, simply press the button.



Figure 59. Jack sockets

Display

The status of the control system can be understood by observing the display. The control system is on when the display is backlit.

Screen symbols

The R-net drive screen has common components that always appear and components that only appear under certain conditions.

- A.** Speedometer
- B.** Profile name
- C.** Battery indicator
- D.** Clock
- E.** Maximum speed indicator
- F.** Current profile

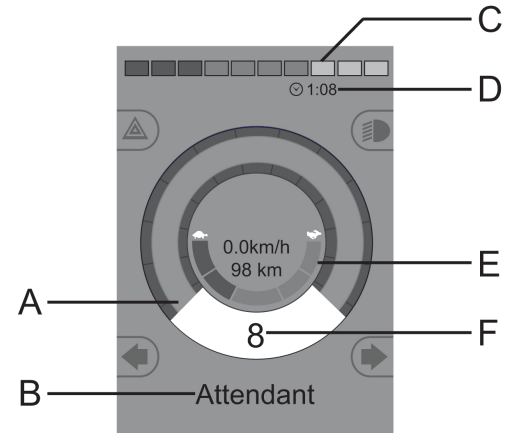


Figure 60. Drive screen when set to profile 8.

Battery indicator

This displays available battery charge and can be used to alert the user of the status of the battery.

- Steady light: everything is in order.
- Flashing slowly: the control system is functioning correctly, but charge the battery as soon as possible.
- Stepping up: the wheelchair batteries are being charged. The wheelchair cannot be driven until the charger is disconnected and the control system is switched off and on again.

Maximum speed indicator

This displays the current maximum speed setting.

The maximum speed setting is adjusted using the speed paddle.



Figure 61. Battery indicator.



Figure 62. Maximum speed indicator.

Current profile

The profile number describes which profile the control system is currently operating in. The profile text is the name or description of the profile the control system is currently operating in.

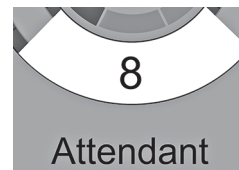


Figure 63. Current profile.

In focus

When the control system contains more than one method of direct control such as a secondary joystick module or a dual attendant module, the module that has control of the wheelchair displays the 'in focus' symbol.



Figure 64. In focus.

Speed limited

If the speed of the wheelchair is being limited; e.g., by a raised seat, then this symbol will be displayed. If the wheelchair is being inhibited from driving, then the symbol will flash.



Figure 65. Speed limited.

Restart

When the control system requires a restart, e.g. after a module reconfiguration, this symbol will flash.



Figure 66. Restart required.

Control system temperature

This symbol is displayed when the control system has intentionally reduced its own power to protect itself against heat damage.



Figure 67. Temperature control of system.

Motor temperature

This symbol is displayed when the control system has intentionally reduced the power to the motors to protect them against overheating.



Figure 68. Motor temperature.

Hourglass

This symbol is displayed when the control system is changing states. An example would be entering into programming mode. The symbol is animated to show sand falling.



Figure 69. Hourglass.

Emergency stop

If the control system is programmed for latched drive or actuator operation, then an emergency stop switch is usually connected to the external profile switch jack. If the emergency stop switch is operated or disconnected, this symbol will flash.



Figure 70. Emergency stop.

Settings Menu

The Settings Menu permits the user to set the clock, display brightness, background colour etc.

Press the hazard flasher button for 2 seconds in order to open the menu. Scroll through the menu by moving the joystick back and forth.

A right joystick deflection will enter a submenu with the related function options.

Exit the setting menu by first selecting Exit on the bottom of the menu and then moving the joystick to the right.

The menu items are described in the following sections.

Time

The following section describes submenus related to Time.

Set Time allows the user to set the current time.

Display Time this sets the format of the time display or turns it off. The options are 12 hr, 24 hr or Off.

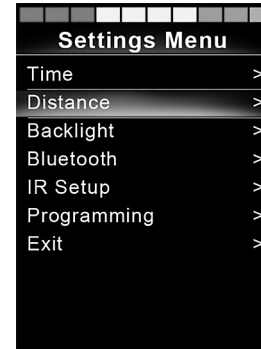


Figure 71. Settings Menu.

Distance

The following section describes submenus related to Distance.

- Total Distance** this value is stored in the power module. It is related to the total distance driven during the time that the current power module has been installed in the chassis.
- Trip Distance** this value is stored in the joystick module; it relates to the total distance driven since the last reset.
- Display Distance** sets whether Total Distance or Trip Distance appears as the odometer display on the joystick module.
- Clear Trip Distance** a right joystick deflection will clear the Trip Distance value.

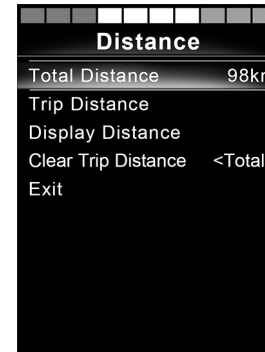


Figure 72. Distance measurement.

Backlight

The following section describes submenus related to Backlight.

Backlight this sets the backlight on the screen. It can be set between 0% and 100%.

Auto Backlight the joystick module contains an ambient light sensor to automatically adjust screen brightness. The programmable options are Off or On. Set to On the display adjusts the screen brightness based on the light sensor reading. Set to Off ; screen brightness will not change with changes in light intensity.

Backlight Time this adjusts the period of time the backlight will remain active once no further instructions are received from an input device. It is adjustable between 0 and 240 seconds.

Bluetooth®

 Applies to control panels equipped with integrated Bluetooth®.

A right deflection of the joystick will enter a sub-menu to configure the Bluetooth® mode screen. Refer to the Bluetooth® mode chapter for more details, see page 114.

IR Setup

i Applies to control panels equipped with integrated IR.

A right deflection of the joystick will enter a sub-menu for learning and deleting IR codes. Refer to the IR section for more details; see page 127.

Programming

The following section describes submenus related to Programming.

Sleep	sets the time after which the control system will go to sleep if an input device command is not received.
Sounder Volume	sets the volume of the sounder used to indicate button presses.
Horn Volume	sets the volume of the horn.
Start-up Beep	sets whether or not the controller emits a short beep when turned on. Available only in later versions of the control panel.
Momentary Screens	sets whether programmed Momentary Screens are displayed.
Display Speed	sets how the wheelchair's speed is displayed; options are mph, km/h or Off.
Displays	sets the format of the digital drive display; options are odometer, speed or both.

Diagnostics allows the user to read diagnostic information from the control system.

Timers enables the user to view how many hours the chair has been driven for.

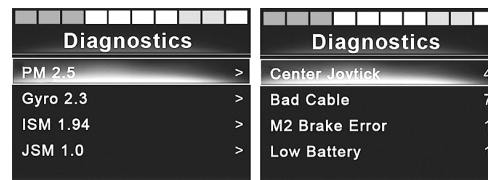
Exit

Exits the Settings Menu.

Bluetooth® mode

(i) Applicable only to R-net control panels, 3,5" or 2,8" colour display, with Bluetooth® integrated in the joystick module.

The joystick modules differ in that the 3,5" screen version is equipped with the buttons Mode and Profile, positioned under the screen. Joystick modules with 2,8" screens are more compact and lack these buttons.



Diagnostics		Diagnostics	
PM 2.5	>	Center Joystick	4
Gyro 2.3	>	Bad Cable	7
ISM 1.94	>	M2 Brake Error	1
JSM 1.0	>	Low Battery	1

Figure 73. Two samples from the Diagnostic screen.

General

When a wheelchair is delivered equipped with a control panel containing Bluetooth®, the Bluetooth® functions are pre-programmed to a basic setup. This setup is described below.

The basic setup is prepared for pairing of up to four Bluetooth® devices, two PC mice or Android™ devices and two iDevices®, without any additional tools. The setup can be reprogrammed using a programming key and an R-net programmer installed on a computer. With this equipment, it is possible to e.g. rename or replace text and icons describing a certain device, activate mouse commands, nudge time, change the cursor speed etc.

Pairing with devices

A device must be set to On from the Settings Menu before it can be paired. Follow the description below.

Settings Menu

Press the hazard flasher button for 2 seconds in order to open the Settings Menu. Select Bluetooth®.

The screen now displays the submenu as illustrated.

Choose a device; set it to On with a right deflection by the joystick.

The R-net system must now be switched off and then on again.

The name of each device can be changed by using a computer with an installed R-net programming tool.

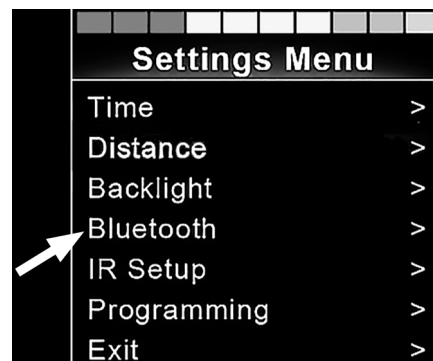


Figure 74. Select Bluetooth® to get access to the submenu.

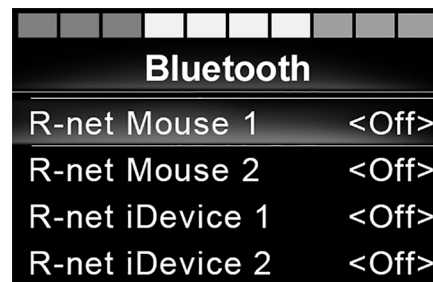


Figure 75. The Bluetooth® sub-menu.

Pairing setup

The control panel Bluetooth® must then be put into Discovery Mode by following this sequence description:

- Deflect the joystick in a forward direction and hold until there is a beep. This takes approximately 10 seconds; then release.
- Deflect the joystick in the reverse direction and hold until there is a beep. This takes approximately 10 seconds; then release.

The screen will display a flashing Bluetooth® icon to the right above the computer image. This confirms that the control panel Bluetooth® is set in Discovery Mode. It is now discoverable for other Bluetooth® devices.

Pairing with different devices

Depending on the type of device you are pairing with - a PC, an Android™ device or an iDevice®- you will need to follow a specific procedure depending on the device you want to connect to.

Some procedures are described below.



Figure 76. The arrow points to the flashing Bluetooth® icon.

Pairing with a PC

The following process should be carried out on a PC:

- Open the window where you can select a Bluetooth® device to add to the PC. The name and path will differ slightly for different versions of Windows.
- Enter the password 1234 if prompted.
- Click on R-net Mouse X when it appears on the screen and the connection will be finalised. The R-net mouse will now appear in the list of devices on the PC.
- When an connection is established, the Bluetooth® icon on the control panel display stops flashing.

Pairing with an Android™ device

The following process should be carried out on the Android™ device

- Select system settings and set Bluetooth® to On.
- Select R-net Mouse X from the list of available devices.
- Enter the password 1234 if prompted.
- R-net Mouse X should now appear as a paired device.
- When an connection is established, the Bluetooth® icon on the control panel display stops flashing.

Pairing with iDevice®

The following process should be carried out on the iDevice®.

- Select settings and set Bluetooth® to On.
- Select R-net iDevice® X from the list of available devices.
- R-net iDevice® X should appear as a paired device.
- When an connection is established, the Bluetooth® icon on the control panel display stops flashing.

Updating the list of devices

The control panel stores the Bluetooth® IDs of up to four devices. To replace an entry on the list of devices, one of the existing pairings must be deleted. This process is initiated from the paired device and will vary depending on the type of device.

Once a device is unpaired, a new device can be added.

Operating Bluetooth® devices

This section describes the basic settings of a wheelchair delivered with a control panel with integrated Bluetooth®.

Accessing a Bluetooth® device

The following section describes how to access one of the paired Bluetooth® devices.

To enter Bluetooth® mode

i Joystick module with 2,8" screen is more compact and lacks Mode and Profile buttons.

Press button Mode A, a number of times until Bluetooth® mode is entered or press and hold key B for more than 2 seconds to enter Bluetooth® mode, M3.



Figure 77. Two ways to access a Bluetooth® device.

If more than one Bluetooth® device is paired and enabled, a screen will appear where a Bluetooth® device can be selected for connection and use.

If only one Bluetooth® device is enabled, it will be shown directly on the screen.

Step between the devices by deflecting the joystick forward or back.
Select the device by right deflection.

When a Bluetooth® device is selected, the screen will show an icon representing the chosen device type.

If only one Bluetooth® device is enabled, this screen will appear as soon as Bluetooth® mode is activated.

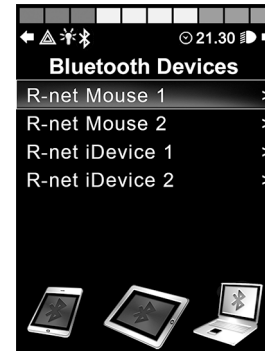


Figure 78. The Bluetooth® Device screen from which paired devices are chosen.

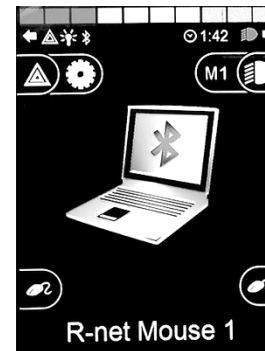
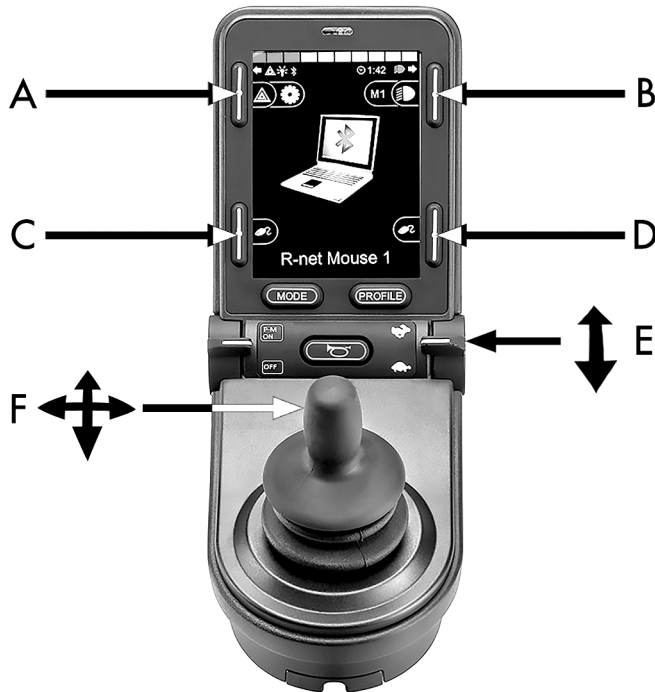


Figure 79. A selected Bluetooth® device.

Operating buttons in Bluetooth® mode



- A. Access settings, page 123.
- B. Return to drive mode, page 123.
- C. Left mouse click, page 124.
- D. Right mouse click, page 124.
- E. Scroll up or down, page 124.
- F. Joystick functions, page 125.

Figure 80. Buttons and other controllers for operating in Bluetooth® mode.

Buttons A to D, paddle switch E and joystick F, as shown in the previous overview illustration, have predefined functions when a Bluetooth® device is selected in Bluetooth® mode. The functions are described below.

A – accessing settings

Press the button for more than 2 seconds. This opens the Setting Menu (Setting Menu); see *Settings Menu*, Page 109.

A short press turns the hazard flashers on or off.



Figure 81. Button to access settings in Bluetooth® mode.

B – return to drive mode

Press the button for more than 2 seconds. This puts the wheelchair into drive mode.

A short press turns headlights on or off.



Figure 82. Button to return to drive mode from Bluetooth® mode.

C – left mouse click

Press button to perform a left mouse click.



Figure 83. Left button for left mouse clicks.

D – right mouse click

Press button to perform a right mouse click.



Figure 84. Right button for right mouse clicks.

E – scroll up or down

Push the paddle switch to scroll up.

Pull the paddle switch to scroll down.



Figure 85. In mode Bluetooth® the right paddle switch is used to scroll up or down.

F – joystick functions

Move cursor in desired direction by deflecting the joystick.

Nudge forward to scroll up.

Nudge back to scroll down.

Left mouse click; left nudge.

Right mouse click; right nudge.

- i** A nudge is a quick, full deflection; settings can be changed to accommodate your needs using a computer with the programming tool installed.



Figure 86. With the use of Bluetooth® the joystick can take control of the mouse functions.

Notes - Bluetooth® mode settings changed after delivery

Button, toggle switch or joystick	Function

IR mode

- ① Applicable only for R-net control panels with integrated IR, 3.5" or 2.8" colour display with IR.

General

The infrared control, integrated in the joystick module, makes it possible to replicate commonly used IR devices, such as remote controls for TV, audio, cable, satellite or environmental controls. IR codes can either be learned without any tools or loaded by the PC-based IR configurator software. The programming abilities of the IR configurator entail more than just loading codes.

This manual describes only the learning method.

The wheelchair is prepared for IR mode but there are no IR codes stored in the system at delivery.

IR setup

IR Setup menu can be accessed via the Settings Menu; see *Settings Menu*, Page 109.

On entering the IR Setup menu, the default appliances will appear. When an appliance is selected, its commands are shown.

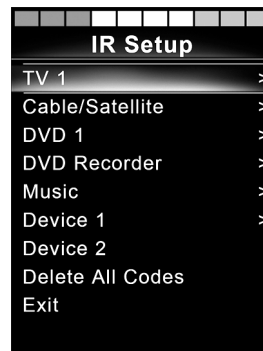


Figure 87. The IR Setup screen.

When a command is followed by a tick, it means that it has a stored IR code. When a command is not ticked, its IR code has not yet been stored.

IR codes can be stored or deleted as described in the following sections.

Learning an IR code

The IR receiver is located above the screen on the control panel, marked with an A in the figure.

When learning a code, the remote control device must be held so that its IR transmitter points towards the IR receiver on the control panel, i.e. the little window marked A in the figure.

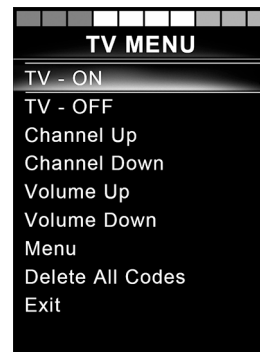


Figure 88. Commands on the TV MENU screen.



Figure 89. The IR receiver location.

Learning an IR code procedure

Enter the IR Setup menu.

Select an appliance, e.g. TV – (Device 1) as illustrated. "(Device 1)" shows where the equipment's unique name may appear on the screen.

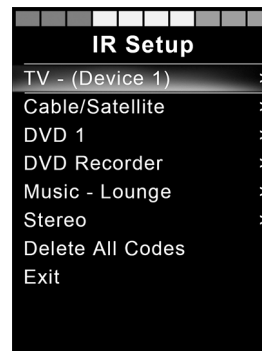


Figure 90. Sample of IR Setup.

The commands for the appliance will appear on the screen as shown in the figure. Select a command to learn.

In this example, Channel Up will be selected from the TV MENU.

Select Learn Code, by deflecting the joystick right while the command is highlighted.

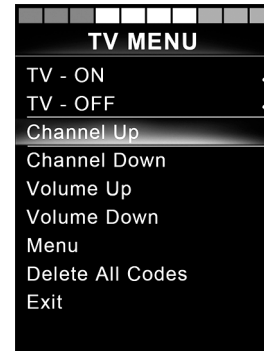


Figure 91. The screen displayed when an appliance has been selected.

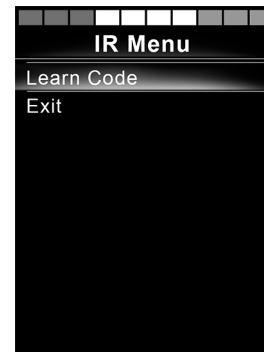


Figure 92. IR Setup menu, Learn Code.

Point the TV remote control towards the control panel's IR receiver and press the channel up button twice.



Figure 93. Point the remote control at the IR receiver. Press the button twice.

If the Learn Code operation has been successfully completed, a green tick will be displayed on the screen.

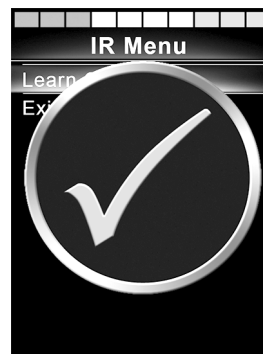


Figure 94. Learning operation successful.

If the Read Code operation fails, a red cross will be displayed on the screen. Please retry the Learn Code operation.

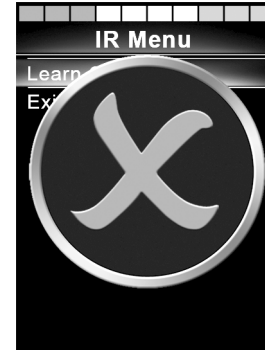


Figure 95. Learning operation unsuccessful.

After the code has been learned, scroll down to highlight Exit. Deflect the joystick to the left to return to the appliance menu, IR Setup.

- i** The first time an IR code is learned, it is necessary to cycle the power by turning the power off at the control panel and then on again. If other IR codes have already been learned, it is not necessary to cycle the power.

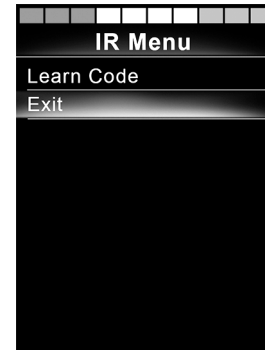


Figure 96. Scroll down to Exit.

Learning sequenced IR codes

Multiple IR codes can be learned for a single command in the IR Setup menu. This enables multiple IR codes to be transmitted through a single command when in IR mode.

Examples:

1. The on/off function for multiple appliances, the TV and the DVD for example, can be learned by a single entry in the IR Setup menu. The control panel will then transmit the codes for the learned command in one burst. In this case, the TV set and the DVD recorder will be turned on or off practically simultaneously.
2. Previously, selecting a TV channel required the user to select the individual channel's digits from a list. This could be quite inconvenient when trying to select a TV channel with multiple digits e.g. Channel 143. Now the individual codes for the numbers 1, 4 and 3 can be learned by a single command in the IR Setup menu. When this command is selected in IR Setup menu, the IR codes are transmitted practically simultaneously.

Create a sequence

- Select the command to use as the sequence initiator. In this example, TV – ON.
- Select Learn Code, by deflecting the joystick to the right while the command is highlighted.
- Point the TV remote control at the control panel's IR receiver and press the On/Off button twice.
- After each successful learning operation, a tick momentarily appears on the screen. Select Learn Code again.
- Point the DVD remote control at the control panel's IR receiver and press the On/Off button twice.
- After each successfully learned operation, a tick momentarily appears on the screen. Select Learn Code again.
- Complete the sequence by highlighting Exit and deflecting the joystick to the left.
- Now the TV – ON command will have a tick and three dots beside it, showing a learned sequence.

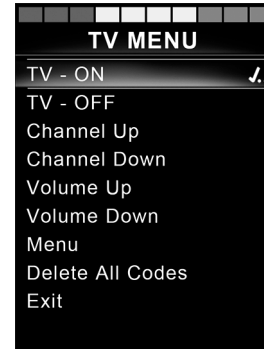


Figure 97. A tick followed by three dots showing a learned sequence.

Enabling and disabling IR codes

IR codes can be enabled or disabled in the IR Setup menu. If a code is disabled, it will not transmit and will not appear in IR mode.

To disable an IR code, deflect the speed paddle up or down. A disabled IR code appears with an X against the highlighted command.

To enable an IR code, deflect the speed paddle up or down. An enabled code appears with a tick against the highlighted command.

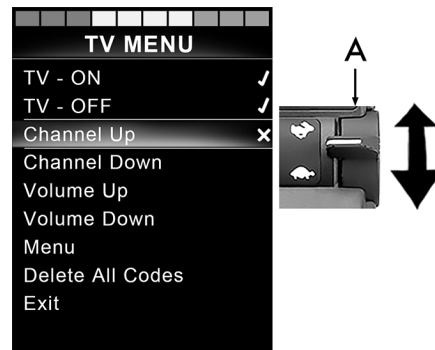


Figure 98. Screen and speed paddle switch marked A.

Deleting IR codes

To delete an IR code for a specific command, highlight the command in the appliance menu and deflect the joystick to the right. Then select the Delete Code option.

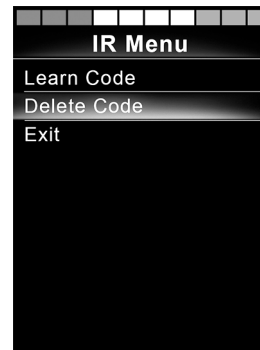


Figure 99. Deleting codes for specific commands.

To delete all IR codes for an appliance, select Delete All Codes within that appliance's sub-menu.

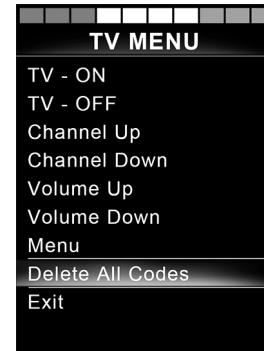


Figure 100. Deleting all codes for a specific appliance.

To delete all IR codes stored in the control panel, select Delete All Codes within the IR Setup menu.



Figure 101. Delete all codes from the IR Setup menu.

Locking and unlocking the control system

Locking

- Switch the control system on and move the paddle forward.
- After 1 second, the control system will beep. Now release the paddle.
- Deflect the joystick forward until the control system beeps.
- Deflect the joystick backward until the control system beeps.
- Release the joystick; there will be a long beep.
- The wheelchair is now locked.
- The wheelchair is switched off.



Figure 102. The lock symbol is displayed when the wheelchair is locked.

Unlocking

- If the control system has switched off, move the paddle forward.
- Deflect the joystick forward until the control system beeps.
- Deflect the joystick backward until the control system beeps.
- Release the joystick; there will be a long beep.
- The wheelchair is now unlocked.

Seat functions

Not applicable to all seat models

On some seats, the powered functions can be controlled using the control panel joystick. Some models can memorise three seat positions. The seat adjustment mechanism stores each memorised seat position. This makes it easy to retrieve a seat position saved earlier.

Manoeuvring the seat

1. Press the Mode button once or more times until a seat function icon appears in the control panel display.
2. Move the joystick to the left or right to select a seat function. The icon for the seat function selected appears in the display. The icons shown vary depending on the seat model and available functions.
3. Move the joystick forward or backward to activate the function.



NOTICE

The symbol M

If the symbol M appears together with the seat icon, it means the memory function has been activated. Move the joystick to the left or right to choose a seat function instead.

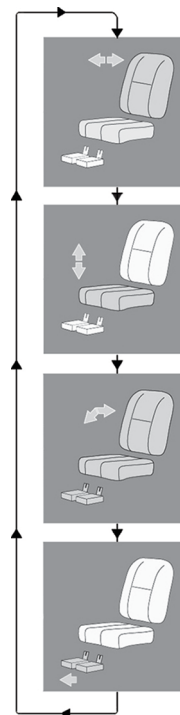


Figure 103. Manoeuvring the seat, examples of icons that may appear.

Return to drive mode

Press the Mode button once or more times until a standard display image with a speed indicator appears in the control panel display.



Figure 104. Standard display image with speed indicator.

Memory

Retrieving position from memory

Some seat control systems can memorise three seat positions. The seat adjustment mechanism stores each memorised seat position. This makes it easy to retrieve a seat position saved earlier.

1. Press the Mode button once or more times until a seat function icon appears in the control panel display.
2. Move the joystick to the left or right to select a memorised position (M1, M2 or M3). A seat icon and memory symbol M for the memorised position selected are shown in the control panel display.
3. Move and hold the joystick forwards. The seat adjusts to the position stored earlier. For reasons of safety, the joystick must be held forward until the seat is fully adjusted to the required position. Once the seat has assumed the saved position, it will stop moving.



Figure 105. Memory function activated.



NOTICE

Releasing the joystick stops seat movement

Release the joystick at any time to stop seat movement.

Return to drive mode

Press the Mode button once or more times until a standard display image with a speed indicator appears in the control panel display.

Saving a seat position to memory

1. Set the seat's powered functions to the desired position.
2. Activate the seat memory function by pressing the Mode button once or more times until a seat icon appears in the control panel display.
3. Move the joystick to the left or right to select a memorised position (M1, M2 or M3). A seat icon and memory symbol M for the memorised position selected are shown in the control panel display.
4. Move the joystick backward to activate the Save function. An arrow will appear next to the memory symbol M.
5. Save the current position by moving the joystick forward and holding it in that position until the arrow next to the memory symbol M disappears.

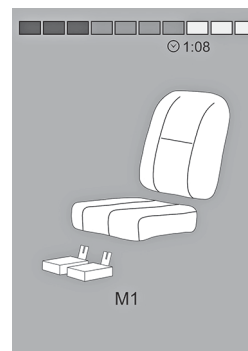


Figure 106. Memory function activated.

Return to drive mode

Press the Mode button once or more times until a standard display image with a speed indicator appears in the control panel display.



Figure 107. Save function activated.

R-net LED control panel

General	148
Charger socket.....	149
Function buttons.....	149
Battery voltage indicator	153
Maximum speed indicator	154
Seat indicator.....	156

General

The control panel consists of a joystick and function buttons. At the front of the panel is the charging socket.

The wheelchair may also be equipped with a seat control panel in addition to the control panel.



Figure 108. Control panel.

Charger socket

This socket may only be used for charging or locking the wheelchair. Do not connect any type of programming cable to this socket. Do not use the socket as a power supply for any other electrical device. Connection of other electrical devices may damage the control system or affect the wheelchair's EMC (electromagnetic compatibility) performance.



NOTICE

Use only the supplied battery charger

The wheelchair's guarantee will be rendered invalid if any device other than the battery charger supplied with the wheelchair or the lock key is connected via the control panel charging socket.

Function buttons

The control panel has a total of 9 function buttons and a joystick.

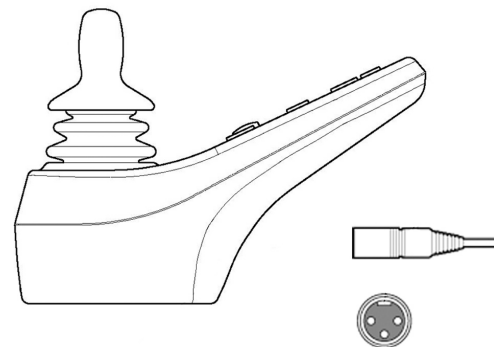


Figure 109. Charger socket

On/Off button

The On/Off button switches on power to the control system electronics, which in turn supply power to the wheelchair's motors.

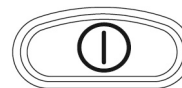


Figure 110. On/Off button.

Horn button

The horn will sound while this button is depressed.



Figure 111. Horn button.

Button and LED for adjusting speed or setting driving profile

This button usually reduces or increases the wheelchair's maximum speed. Alternatively, the button can be used to set the driving profile.

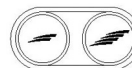


Figure 112. Button and LED for maximum speed or setting the driving profile.

Mode button

These buttons normally reduce or increase the wheelchair's maximum speed. Alternatively, the button can be used to set the driving profile.



Figure 113. Mode button.

Hazard warning button

i Only available if the wheelchair is fitted with lights.

This button switches the wheelchair hazard lights on or off. The hazards lights are used when the wheelchair constitutes an obstruction for others. Push the button to switch the hazard lights on and push it again to switch them off. When activated, the hazard LED will flash in sync with the wheelchair's hazard lights.



Figure 114. Hazard warning button and LED.

Lights button

i Only available if the wheelchair is fitted with lights.

This button switches the wheelchair lights on or off. Push the button to switch the lights on and push it again to switch them off. When on, the lights LED lights up.



Figure 115. Lights button and LED.

Left indicator button

i Only available if the wheelchair is fitted with lights.

This button switches the wheelchair's left indicator on or off. Push the button to switch the indicator on and push it again to switch it off. When activated, the left indicator LED will flash in sync with the wheelchair's indicator.

Right indicator button

i Only available if the wheelchair is fitted with lights.

This button switches the wheelchair's right indicator on or off. Push the button to switch the indicator on and push it again to switch it off. When activated, the right indicator LED will flash in sync with the wheelchair's indicator.



Figure 116. Left indicator button and LED.



Figure 117. Right indicator button and LED.

Battery voltage indicator

The battery voltage indicator does not show exactly how much charge is left in the battery, but it provides a rough idea to help you avoid unnecessary stops due to discharged batteries.

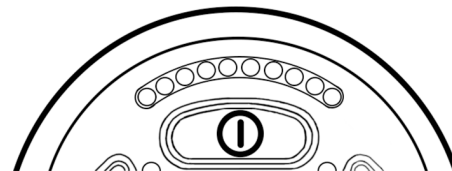
The indicator shows a more precise value after about 1 minute of driving.



NOTICE

Voltage indicator also used as fault indicator

The battery voltage indicator also functions as a fault indicator for the wheelchair's electronics. See page 263 for further information.



The display that shows the battery status (from left to right):

Red, Yellow and Green	Fully charged
Red and Yellow	Semi-charged
Red	Charge the batteries

Figure 118. Battery voltage indicator.

Maximum speed indicator

Speed

Indicates the maximum speed set for the wheelchair.

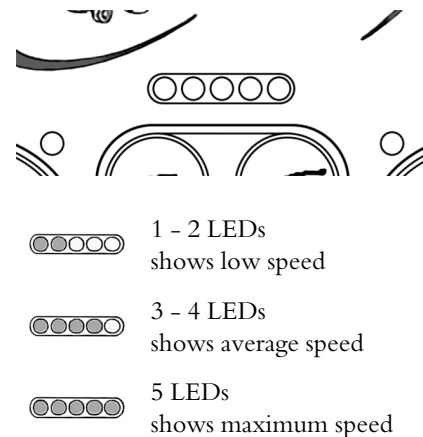


Figure 119. Maximum speed indicator.

Driving profile

For special applications, the wheelchair can be programmed with more than one driving profile. In this case, the indicator LEDs will instead display the selected driving profile. There can be up to 5 driving profiles.



NOTICE

Speed indicator also used as fault indicator

The maximum speed or driving profile indicator also functions as a fault indicator for the wheelchair's electronics. See page 263 for further information.

Seat indicator

On certain seats, the powered functions for seat lift, seat angle, backrest angle and leg support angle are controlled by the control panel joystick. In this case, the active seat function is shown on the control panel seat indicator.

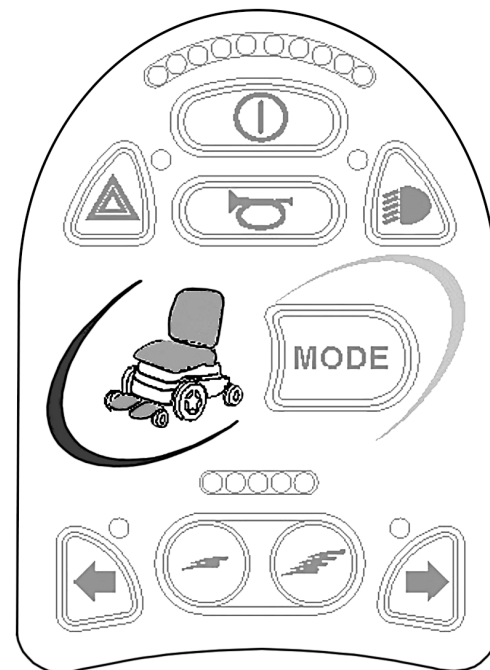


Figure 120. Seat indicator.

ICS seat control panel

General	158
Functions	160

General

The seat's powered functions may be controlled from the drive system control panel. On seats equipped with the control system ICS, the powered functions may also be controlled from the ICS control panel.

The seat's powered functions are controlled from the control panel. The control system may be in the form of push buttons or toggle switches for those users who find them easier to manoeuvre. Move the toggle switch forward to operate the front button and backward to operate the rear button. The button box functions described here apply to conventional push buttons, but the functions are the same regardless of control system design.

Each switch location can have two functions, and the symbol for the active function is lit up. Change functions with the shift function.



NOTICE

Functions vary

The number of available functions will vary depending on how the wheelchair and seat are equipped.



Figure 121. ICS seat control panels, the topmost equipped with push buttons and the lower with paddle switches.

Feedback

The control panel provides feedback regarding the available seat functions, active seat function inhibits, active drive speed limits and active drive inhibits through its LEDs.

The LED above the switch can assume three states:

1. Off

The function icon is extinguished or off. This means the function is not currently active. Toggle selection of the left or right seat functions with the Shift Switch

2. Steady LED

A steady LED provides the user with information concerning drive speed.

- A steady green LED means the chair can be driven at full speed.
- A steady yellow LED signifies that the drive speed is limited due to the position of this actuator.
- A steady red LED means the drive is inhibited due to the position of this actuator.

3. Flashing LED

A flashing LED provides the user with actuator-related information.

- A flashing green LED signifies a special or extended feature.
- A flashing yellow LED means the seat function is inhibited in one direction, due to a safety limit. The switches below the icon will only move the seat in the safe direction.
- A flashing red LED means an actuator error has been detected. Depending on the type of error, the switches below may or may not operate the seat function. Note the circumstances when this indication occurs as this information may help your service provider. Contact your service provider for additional assistance, as service may be necessary.

Functions



WARNING!

Risk of pinching while using seat functions

There is a risk of crush-point accidents when using the powered seat functions. Make absolutely sure that nothing gets stuck between moving parts. Failure to do so may lead to personal injury.

Seat lift

The seat can be raised by pressing the upper part of the button and lowered by pressing the lower part.



Figure 1 22. Seat lift.

Backrest recline

The backrest can be reclined by pressing the lower part of the button and brought back by pressing the upper part.

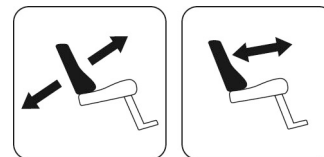


Figure 1 23. Backrest recline.

Seat tilt

The seat can be tilted backward by pressing the lower part of the button and forward by pressing the upper part.



Figure 1 24. Seat tilt.

Anterior tilt

The seat can be tilted forward by pressing the upper part of the button and backward by pressing the lower part. When the seat is being tilted forward or backward, the seat will stop when it reaches neutral position. To keep moving forward or backward from neutral position, press the same button again.

Leg support angle

The leg support can be tilted forward by pressing the upper part of the button and backwards by pressing the lower part.

Power adjustable leg length

The footplate can be raised by pressing the upper part of the button and lowered by pressing the lower part.

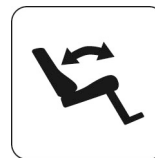


Figure 125. Anterior tilt.

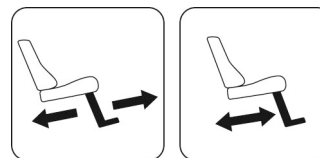


Figure 126. Leg support angle.

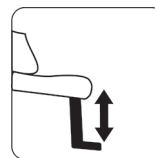


Figure 127. Power adjustable leg length.

Seat-to-floor function

The seat can be lowered to the floor by pressing the upper part of the button, and raised by pressing the lower part.



Figure 128. Seat to floor function.

Power footplates

The footplates can be raised by pressing the lower part of the button and lowered by pressing the upper part.

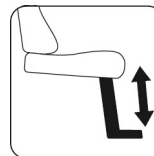


Figure 129. Power footplates.

Power transfer footplate

The footplate can be lowered at the same time as the seat lift is raised by pressing the upper part of the button. Pressing the lower part of the button will raise the footplate and at the same time lower the seat lift. This function can help the user get in and out of the wheelchair.

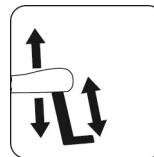


Figure 130. Power transfer footplate.

Shift

Change the control button functions by pressing the Shift button. Change the function back again by pressing the Shift button. The symbol for the active function will light up.

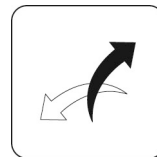


Figure 131. Shift.

Memory function

ICS control panels equipped with memory can store and recall up to three seat positions. A seat function (e.g. power tilt, power recline, power legs, etc.) can only memorise a position if it has an actuator with position feedback installed.

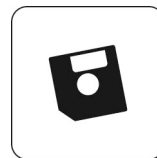


Figure 132. Memory function.

Recalling memory

1. Enter memory mode by pressing and holding the memory button (8) for two seconds. While in memory mode, the memory LED flashes green.
2. Press and hold the appropriate Recall button (1, 2 or 3) to move the seating system to the desired memory position. As a safety feature, releasing the Recall button stops actuator movement. When the stored position is reached, actuator movement stops, the LED above the memory position lights up green and the control panel beeps.
3. Return to standard seat function operating mode by pressing the Memory button (8).



Figure 133. Memory function.

Storing memory

Before storing a seating position in the memory, configure the seat system in the desired position.

1. Enter memory mode by pressing and holding the memory button (8) for two seconds. While in the memory mode, the LED flashes green.
2. Press and hold button (4) until the LED immediately to the left of the Memory LED lights up green. Memory is now enabled and ready to memorise a seat position.
3. Press and hold the desired Store button (5, 6 or 7) for three seconds to memorise the current seat position. The LED above the memory position will light up red and the control panel will beep once the memory is successfully stored.
4. Return to standard seat function operating mode by pressing the Memory button (8).



Figure 134. Memory function.

Handling

General	168
General - driving	168
Joystick error	170
Driving technique.....	171
Driving restrictions	174
Support wheels	180
Manual brake release	181
Batteries - charging	183

General

The wheelchair is designed for use both indoors and outdoors. When driving indoors, take care in e.g. narrow passages, when passing through doors and entrances and when using lifts, ramps, etc.

Also bear in mind the crush hazard when using the powered seat lift and seat angle functions, especially if the wheelchair has been driven under a table, bench, etc. When driving outdoors, remember to drive very slowly down steep slopes and to take great care when driving on uneven surfaces, up slopes, on side slopes and over obstacles. Always observe a good safety distance when driving near edges and drops.

We recommend users make repeated test drives in environments where they feel safe to familiarise themselves with how the wheelchair and its accessories behave in different situations before starting to use the wheelchair on public roads and in other public spaces.

General - driving

Check that the control panel is correctly fitted and the joystick is in the neutral position. Make sure you have good support, for example the wheelchair's arm rest, for the part you use to handle the joystick.

Do not use the joystick alone as a support. Fast turns and driving on uneven surfaces can interfere with your ability to handle the wheelchair safely.

1. Switch on the power.
2. Select a suitable driving profile with the Profile button (if the system is programmed for more than one driving profile).
3. Move the joystick carefully forward to drive forward or backward to reverse.
4. Adjust the speed setting with the higher and lower speed buttons. The wheelchair's electronics allow very slow driving over obstacles. Drive up to the obstacle, then carefully drive over it.

**WARNING!****Risk of injury - place your feet correctly**

Always make sure your feet are correctly and securely positioned on the footplates before you operate the wheelchair. Use foot straps if necessary. Failure to do so increases the risk of personal injury.

Joystick error

Joystick error at startup

Do not move the joystick before, during or immediately after the control system is switched on. If the joystick is moved from the central position, a joystick error can be created.

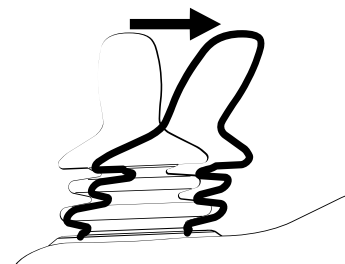


Figure 135. Joystick moved from the central position.

Joystick error LCD panel

While the control system checks if an error has occurred, the screen image for a shifted joystick will be displayed for 5 seconds.

If the control system detects an error in the wheelchair electronics, a diagnostics screen will appear. To enable the wheelchair to be driven again, make sure the joystick is in the central position. Then switch the wheelchair off and on again. If this does not work and the diagnostic screen still appears, contact your service provider.



PM
Low Battery

2C00

Figure 136. The LCD diagnostics screen.

Joystick error LED panel

While the control system checks if an error has occurred, the LEDs on the battery voltage indicator will wander backward and forward.

If the control system detects an error in the wheelchair electronics, the battery voltage indicator LEDs will flash rapidly. To enable the wheelchair to be driven again, make sure the joystick is in the central position. Then switch the wheelchair off and on again. If this does not work and the LEDs still flash rapidly, contact your service provider.

Driving technique

The control panel electronics interpret joystick movements and move the wheelchair accordingly. No complex user techniques are required for normal driving, which is an advantage if the user is inexperienced. A good way to get started is simply to move the joystick in the direction you want to go. The wheelchair will then move in the direction in which the joystick is pointing.

However, always remember to drive as gently as possible and to avoid sudden braking and evasive manoeuvres.

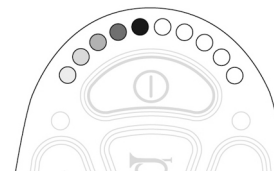


Figure 137. The LEDs on the battery voltage indicator.

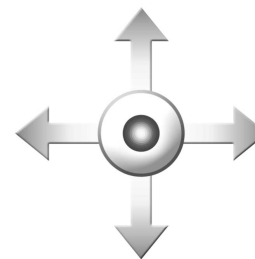


Figure 138. Joystick manoeuvring.

**CAUTION!****First test drive**

Do not take the first test drive alone. The test drive is intended to establish how you and the wheelchair work together and you may need assistance. Before driving, check that the brake release lever is in the drive position.

**CAUTION!****Driving - surface conditions**

Never drive at full speed in narrow or confined spaces or on sloping or inclined surfaces. Use extra caution when driving the wheelchair on surfaces that have ridges that could cause the chair to steer in a different direction.

**WARNING!**

Release the joystick at the first sign of unexpected behaviour!

Do not use the joystick as a support. Fast turns and driving on uneven surfaces can interfere with your ability to handle the wheelchair safely.

If the wheelchair moves in a way that you do not want, **release the joystick!** This always makes the wheelchair stop whatever it is doing.

Driving restrictions

Driving restrictions related to different surfaces

Do not drive at high speed, avoid sudden stops and starts, avoid sudden evasive manoeuvres or sharp turns, and use extreme caution in any of the following situations:

- when near edges and drops or on elevated surfaces.
- when on soft or uneven surfaces such as grass, gravel, sand, ice or snow.
- when driving from an area of high traction (e.g. pavement) to an area of low traction (e.g. grass).
- when turning the wheelchair.
- when in narrow or confined spaces.
- when driving on surfaces that have ridges that could cause the wheelchair to move in a different direction.

These restrictions also apply to hereinafter following sections.

Driving over obstacles

You may be able to drive over obstacles up to 100 mm, as long as 4 of the 6 wheels stay in contact with the obstacle's surface as the transition takes place from front to rear.

Use extreme caution when negotiating these types of obstacle. Always approach the obstacle at a right angle. If you drive over higher obstacles, there is a greater risk of tipping and of damage to the wheelchair.



WARNING!

Driving - high obstacles

Do not drive the wheelchair over obstacles higher than 100 mm. Always exercise great caution when driving over obstacles.

Because a raised seat lift, seat tilt and/or back angle changes the centre of gravity and increases the risk of tipping, only use these seat functions on flat surfaces and always drive with great caution and at low speed.



Figure 139. Driving over obstacles.

Driving on side slopes

Always exercise great caution when driving over side slopes.

Avoid sudden evasive manoeuvres and never drive so fast that you are unable to control the wheelchair safely and without risk.



WARNING!

Risk of tipping on uneven surfaces

Take great care when driving on side slopes with an uneven surface (e.g. grass, gravel, sand or snow).



WARNING!

Risk of tipping on steep slopes

Do not drive the wheelchair on side slopes steeper than 9°. There is a risk of tipping over.

Because a raised seat lift, seat tilt and/or back angle changes the centre of gravity and increases the risk of tipping, only use these seat functions on flat surfaces and always drive with great caution and at low speed.



Figure 140. Driving on side slopes.

Driving downhill

Always drive downhill at low speed and with great caution.

Note that the distance required to stop will increase when driving downhill.

Avoid braking suddenly and sudden evasive manoeuvres and never drive so fast that you are unable to control the wheelchair safely and without risk.



Figure 141 . Driving downhill.



WARNING!

Risk of tipping on uneven surfaces

Take great care when driving on side slopes with an uneven surface (e.g. grass, gravel, sand or snow).



WARNING!

Risk of tipping when driving downhill

Do not drive downhill on gradients greater than 12°.

Because a raised seat lift, seat tilt and/or back angle changes the centre of gravity and increases the risk of tipping, only use these seat functions on flat surfaces and always drive with great caution and at low speed.



WARNING!

Increased stopping distances

The distance required to stop the wheelchair will increase when driving downhill.

Driving uphill

Always drive uphill with great care.

Avoid sudden evasive manoeuvres and never drive so fast that you are unable to control the wheelchair safely and without risk.



WARNING!

Risk of tipping on uneven surfaces

Take great care when driving on side slopes with an uneven surface (e.g. grass, gravel, sand or snow).



WARNING!

Risk of tipping when driving uphill

Do not drive uphill on gradients greater than 12°.

Because a raised seat lift, seat tilt and/or back angle changes the centre of gravity and increases the risk of tipping, only use these seat functions on flat surfaces and always drive with great caution and at low speed.



Figure 142. Driving uphill.

Support wheels

The wheelchair may be fitted with support wheels to reduce the risk of tipping when driving over obstacles, etc. They must always be fitted when you drive. Should your weight increase to more than 100 kg or should you wish to increase the speed of your wheelchair to more than 10 km/h, the support wheels must be mounted.



WARNING!

Risk of tipping - do not remove support wheels

If the wheelchair is fitted with support wheels, they must remain fitted to reduce the risk of the wheelchair tipping forward due to speed or prevailing circumstances. It is important to drive the wheelchair at a safe speed to reduce the need for sudden stops that may cause the wheelchair to tip forward. See pages page 177 — page 179. Always be aware of the seat position and how it might affect the stability of the wheelchair on different surfaces, even with support wheels.



Figure 143. Support wheels.

Manual brake release

The wheelchair is fitted with one or two manual brake releases acting on the magnetic wheel locks to allow manual movement of the wheelchair.



WARNING!

Wheel locks

Do not release or engage the wheel locks unless power to the wheelchair is off.

To prevent the wheelchair rolling away, make sure it is on a level surface before releasing the wheel locks.

Be aware that the wheelchair has no brakes when the wheel locks are in free-wheel position.

Make sure that the person pushing the wheelchair has full control when the wheel locks are released.

Always engage the wheel locks after the wheelchair has been pushed manually.

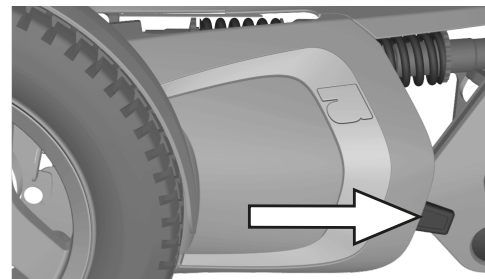


Figure 1 44. Release lever location.

Releasing wheel locks

1. Switch off the wheelchair using the start button on the control panel.
2. Move the lever downwards to release the brakes. The wheelchair can now be moved manually.



WARNING!

Malfunctioning wheel locks

When the wheel locks are released, the wheelchair cannot be driven. If it can be driven, contact an authorised Permobil service centre as soon as possible.

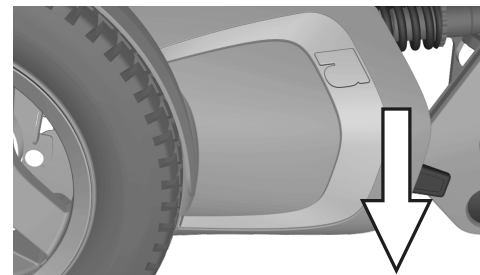


Figure 145. Releasing wheel lock.

Engaging wheel locks

1. Switch off the wheelchair using the start button on the control panel.
2. Move the lever upwards to its uppermost position to engage the wheel lock.

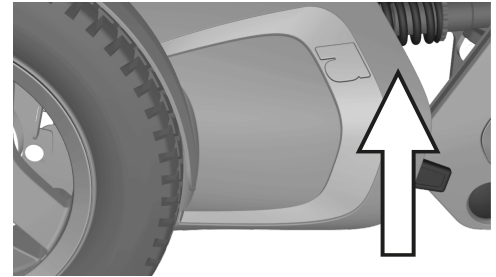


Figure 146. Engaging wheel locks.

Batteries - charging

How frequently you need to charge the wheelchair's batteries depends on a number of factors, including how you use the wheelchair, the temperature, and the age of the batteries. All batteries gradually lose capacity as they age.

The most important factor for the life of the batteries is how much power is taken out of them before they are charged and how often they are charged or discharged.

**NOTICE****Discharged batteries**

Should the batteries be drained completely, charge them again as soon as possible since a complete loss of charge reduces battery service life.

To achieve the best service life, never let batteries discharge completely. Always charge the batteries immediately after they have been discharged.

If the battery voltage indicator shows that the batteries lose power faster than normal, the batteries could be worn out and need to be replaced.

Charging batteries

Make sure that the wheelchair is switched off with the On/Off button on the control panel and then plug the charging plug into the charging socket. The battery voltage indicator on the wheelchair's control panel will light up and show charging status during charging.

Once charging has been completed, the wheelchair must be switched off and on again with the On/Off button on the control panel before it can be driven.

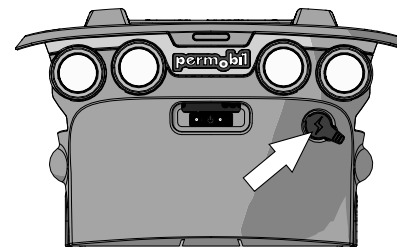


Figure 147. Charging socket



NOTICE

Battery charger - see supplied manual

For a description and battery charger instructions, refer to the manual supplied.

**WARNING!****Risk of fire or explosion - charging conditions**

Use only the charger supplied with your wheelchair or a charger recommended by Permobil. The use of other chargers may damage the batteries, the wheelchair electronics or the charger itself. It may also result in parts becoming overheated, which may entail a greater risk of fire.

Only use chargers with maximum 10 A charging current (average value). The effective value of the charging current must not exceed 12 A. The batteries must be charged in a well-ventilated room, not in a cupboard. The batteries must not be charged in a bathroom or wet room.

**WARNING!****Risk of fire or explosion - do not short-circuit**

Exercise caution when using metallic objects during work with batteries. A short-circuit can easily cause an explosion. Always use safety gloves and goggles.

**WARNING!****Risk for overheating, sparks or short-circuit**

To interrupt the charging process, turn off the power supply at the switch on the charger before removing the charging plug from the wheelchair's charging socket. This is to avoid sparking and unnecessarily high wear on the charging plug.

The charger may get hot and must not be covered. The charger must be placed so that it has free space on all sides.

The charging jack must be replaced if it is damaged or gets hot during charging. Both the jack on the charger cable and the wheelchair's charging socket must be replaced if one part is damaged or worn. The contacts must be replaced by qualified personnel.

**NOTICE****Procedures when charging the batteries**

The charging cable must not be extended.

Carefully read the instructions supplied with the charger before starting to charge the wheelchair.

Switch off the wheelchair with the On/Off button on the control panel before charging but make sure the main circuit breaker is in the On position.

Make sure the charging plug is fully inserted in the wheelchair's charging socket.

The wheelchair may not be driven when the charger is connected.

Transporting the wheelchair

General	190
Rail transportation	196
General advice for air transportation	196

General

The wheelchair may only be transported in vehicles approved for this purpose.

Check that the wheelchair is properly secured and that the wheel locks are engaged. When transporting the wheelchair in a vehicle, the wheelchair must be locked into position by running tie-down straps through the tie-down eyes at the front and rear, marked with yellow labels.

Secure the wheelchair according to the instructions from the manufacturer of the vehicle restraint system. Always make sure that the tie-down points in the transporting vehicle are well-anchored.

- i** To make transporting the wheelchair easier, the backrest can be removed or folded down in a few simple moves; see *Removing backrest*, Page 80
If necessary, the headrest can also be removed; see *Headrest*, Page 88



Figure 148. Label showing where to find the tie-down eyes.

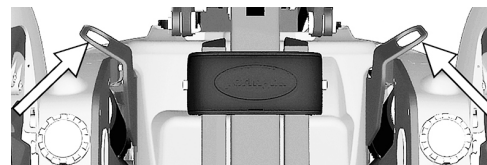


Figure 149. Front tie-down eyes.

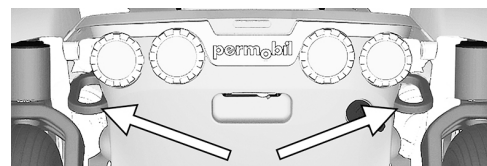


Figure 150. Rear tie-down eyes.

**DANGER!****Risk of injury – user transported in wheelchair**

Permobil recommends that users not be transported in any vehicle while seated in the wheelchair.

If the wheelchair must be transported while the user is seated in it, the following requirements must be fulfilled:

- the vehicle is equipped with a locking system that is approved by Permobil. For alternative vehicle securement options, please consult your dealer.
- the locking system must be dimensioned for the total weight of the wheelchair and the user.
- the user uses a three-point seat belt attached to the vehicle.
- the wheelchair itself must be crash tested and approved.
- the wheelchair should be fitted with a headrest during transit.

If any of these requirements are not met, the user must be transferred to a vehicle seat and use a factory installed three-point seat belt during the journey.

**DANGER!****Risk of injury – correct position of seat belt**

The correct positioning of the vehicle's three-point seat belt is on the inside of the wheelchair's armrest. The three-point seat belt should fit closely to the user's body without anything getting in the way. Failure to correctly position the three-point seat belt may cause bodily harm and/or death, if the vehicle is in an accident.

**WARNING!****Requirements for vehicles used for transportation**

The wheelchair may only be transported in vehicles approved for this purpose. Make sure the vehicle is suitably designed and equipped to transport a person in a wheelchair and that the fastening points on the transporting vehicle are well-anchored.



Figure 151. The left figures show the correct positioning of the seat belt.

**CAUTION!****Damage during transport**

It is extremely important to inform Permobil if the wheelchair and its accessories have suffered transport damage, damage during driving or damage from other causes as soon as possible after the event. There is a risk that the wheelchair and its accessories can no longer be used safely and securely. You need to contact your service provider or Permobil for further information. See contact information:

Head office of the Permobil group.

**WARNING!****Positioning belt does not replace a seat belt**

The seating system's positioning belt is designed only to position the user; it does not provide any protection in the event of a road traffic accident. The positioning belt does not replace the use of a vehicle-mounted three-point seat belt during journeys.

**WARNING!****Positioning belt**

The positioning belt is an accessory.

A qualified service technician should install the positioning belt. Before operating the wheelchair, make sure the positioning belt is correctly installed and that no excess material hangs down. Excess belt strap material could become caught in the wheelchair or other places in the surrounding area and cause injury to the user or damage to the wheelchair and its surroundings.

While the wheelchair is in use, the positioning belt, and any other components installed for the unique safety and positioning needs of the user, should be securely fastened.

If any sign of damage or wear appears, contact your Permobil dealer right away to obtain a replacement.

**WARNING!****Secure loose objects during transportation**

Auxiliary wheelchair equipment, loose or mounted on the wheelchair, must either be secured to the wheelchair or removed from it. Disassembled or movable auxiliary equipment must be properly secured in the vehicle during transportation. This is to prevent loose parts or parts that may come loose from causing injury to the occupants while in transit.

**WARNING!****Securing the wheelchair in vehicles**

The wheelchair may only be locked into position using a locking system approved by Permobil or by tie-down straps.

Secure the wheelchair by tie-down straps through the brackets in the front and the back, each marked with a yellow label. Do not attach the tie-down straps to any other part of the wheelchair. Secure the tie-down straps to the vehicle according to instructions for the restraint system in the vehicle.

Always make sure that the tie-down points on the transporting vehicle are well-anchored.

Set the brake release on the wheelchair to locked position.

Rail transportation

Directive 2008/57/EC concerns the interoperability of the European rail network. A part of this directive contains limits for weights and dimensions. In some configurations this product might deviate from the limits specified.

General advice for air transportation



NOTICE

Preparations for air transportation

Airlines have different rules regarding wheelchair transport. Please contact your specific airline for more information and to make sure the wheelchair can be transported safely.

Batteries

Gel batteries: in most cases, gel batteries do not have to be removed from the wheelchair.

The main circuit breaker must always be in the Off position.

Acid batteries: most airlines require that batteries be removed from the wheelchair and transported in special boxes that the airline may provide.

The wheelchair's dimensions and weight

The wheelchair's weight and dimensions are important, depending on the size and type of aeroplane in which the wheelchair is to be transported. Always check with the airline what rules apply.

Preventing damage to wheelchair

Since the wheelchair will be put with other goods in a confined space during air transportation, it is important to take preventive measures to minimise transportation damage to the wheelchair.

Cover the control panel with soft, shock-absorbing material (foam plastic or similar) and turn the control panel in towards the backrest. Protect other protruding objects in a similar manner. Tape any loose cables to the seat or hoods.

Maintenance and repairs

Tool bag	200
Frequency of maintenance and inspection	200
Serial number labels.....	202
General	204
General - batteries and storage.....	206
Cleaning.....	206
Positioning belt.....	209
Brake release	210
Wheels	211
Battery replacement.....	230
Main circuit breaker	244

Tool bag

The wheelchair comes with a tool bag with the following contents for use for maintenance and minor repairs.

Tool	Area of use
Allen keys.	General maintenance and seat adjustment.
11, 13 mm wrenches.	General maintenance and replacing batteries.

Frequency of maintenance and inspection

Permobil recommends compliance with the following maintenance and inspection schedule. Contact your authorised dealer for all service-related needs or questions.

Maintenance and inspection schedule	Daily	Weekly	Month-ly	Yearly
Check battery level indicator and charge if necessary.	X			
Check that the joystick panel and other control panels are not damaged.	X			
Make sure all removable parts are securely fastened.	X			
Check positioning belts for wear and make sure buckles work.	X			
Check tyres and inflate as necessary.		X		
Make sure lights and indicators are operational and clean.		X		
Clean the wheelchair and upholstery.			X	
Check upholstery, seating, headrest, arm pads and calf pads for wear.			X	

Maintenance and inspection schedule	Daily	Weekly	Month-ly	Yearly
Check that the brake release and the brake release lever work properly.			X	
Complete inspection, safety check and service performed by an authorised wheelchair dealer.				X

Serial number labels

Serial number label on chassis

The serial number label is located on the lower, left hand side of the wheelchair chassis. Look between the rim spokes.

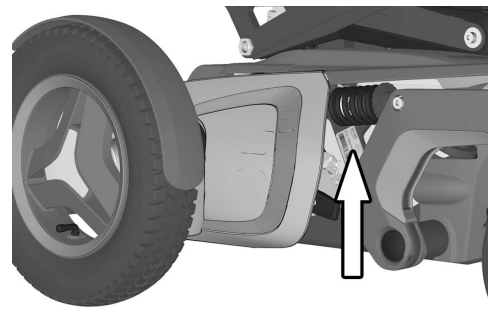


Figure 152. Chassis identification number label.

Serial number label description

1. Made in (country of final assembly) by (address of site of final assembly).
2. Serial number.
3. Product type.
4. Date of assembly.
5. EAN code.
6. Maximum user weight.

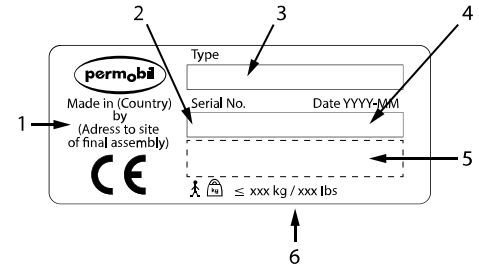


Figure 153. Serial number label.

Serial number label on R-net power module

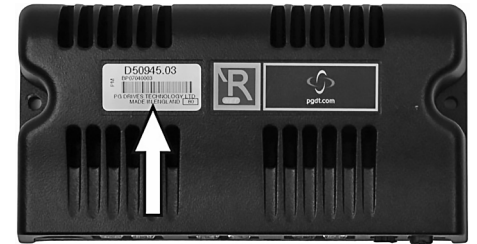


Figure 154. R-net power module ID number.

Serial number label on R-net control panel



Figure 155. R-net control panel ID number.

General

For the wheelchair to work well, it is important that it is used correctly and regularly maintained. A well maintained wheelchair lasts longer and has a lower risk of defects.

**CAUTION!****Maintenance by a qualified service technician**

Only carry out the adjustments and maintenance specified in the manual. All other service, repairs and maintenance should be performed or supervised by a qualified service technician. Read all instructions carefully before proceeding. If questions arise, contact Permobil or a Permobil authorised dealer for assistance.

**NOTICE****When exchanging batteries or circuit breakers,
switch off the main circuit breaker**

The main circuit breaker must always be switched off when batteries and fuses are replaced. Always switch off the power supply to the control panel before interrupting the power with the main circuit breaker.

**NOTICE****Additional tools may be required**

Some repairs may require tools other than those supplied with the wheelchair.

General - batteries and storage

- The wheelchair must not be stored in areas subject to condensation (steam or moisture on surfaces), e.g. utility rooms or similar.
- If the wheelchair is equipped with acid batteries, the acid level must be regularly checked. If the wheelchair is equipped with gel or AGM batteries, the liquid level does not need to be checked.
- Battery service life depends entirely on regular charging.

Short-term storage

For short-term battery storage, the room should be at least 5°C. If the temperature is lower than this, the batteries may not charge fully and may be more vulnerable to corrosion.

Long-term storage

For long-term battery storage, the room may be unheated, but to guard against battery corrosion, make sure the room is a few degrees warmer than its surroundings, as this will keep the room drier.

Cleaning

Regular care and maintenance will prevent unnecessary wear and damage to your Permobil product.

- i** Use only the following cleaning methods.
- i** In the case of severe soiling of the upholstery or damage to the surface finish, contact Permobil for information.

**CAUTION!****Switch off the wheelchair before cleaning**

Always switch the power supply to the wheelchair off before cleaning.

Metal surfaces

Due to the high quality powder coating, optimum corrosion protection is guaranteed. Ideally, use a soft cloth or sponge, hot water and a mild detergent for normal cleaning. Wipe down carefully with a cloth and water, and dry off.

Remove scuff marks from semi-matte surfaces with soft wax (follow manufacturer's instructions).

Remove scuff marks and scratches from shiny surfaces using car polish, either liquid or paste. After polishing, apply soft car wax to restore the original surface gloss.

Plastics

For normal cleaning, wash plastic surfaces with a soft cloth, mild detergent and hot water. Rinse thoroughly and dry with a soft cloth. Do not use solvents or abrasive kitchen cleaners.

Upholstery, cloth and vinyl

For normal cleaning, wash the upholstery with lukewarm water and a mild, non-abrasive soap. Use a soft cloth or brush. Before the surface dries, wipe off any water or soapy water residues with a clean, dry cloth. Repeat this procedure to remove stubborn dirt or stains. Ink spots can sometimes be removed by washing with soap and water followed by isopropyl alcohol.

Do not use any cleaning method that is not listed above, as other methods may attack the vinyl and cause eventual degradation and may void the wheelchair's guarantee.

If necessary, the cover may be removed before cleaning. See also the washing instructions on the upholstery materials.

Control panel

Use a soft cloth moistened with mild detergent and be careful when cleaning the joystick and the panel's display. Do not use solvents or abrasive kitchen cleaners. The panel must not be rinsed with water or any other liquid.



NOTICE

Hosing can cause damage to electronics

Never hose the wheelchair down as this may damage the electronics. Always switch the wheelchair off for cleaning.

Corrosion protection

The plastic and padded parts are corrosion resistant. The metal parts are protected against corrosion by a zinc layer underneath the powder coating.

Positioning belt

 Accessory

Check the condition of positioning belts regularly in case any damage or wear has occurred. If signs of damage or wear appear, replace the positioning belt immediately through your Permobil dealer.

Brake release

Every month, check that the brake release and the brake release lever(s) are working properly.

When the brakes are released, it should not be possible to drive the wheelchair. If it can be driven, contact an authorised Permobil service centre as soon as possible.

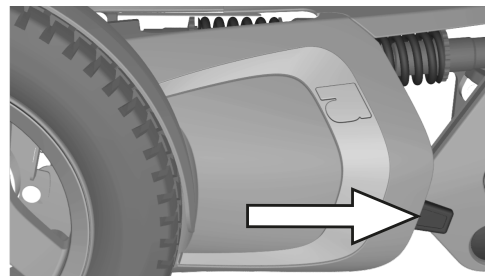


Figure 156. Brake release lever.

Wheels

Drive wheels

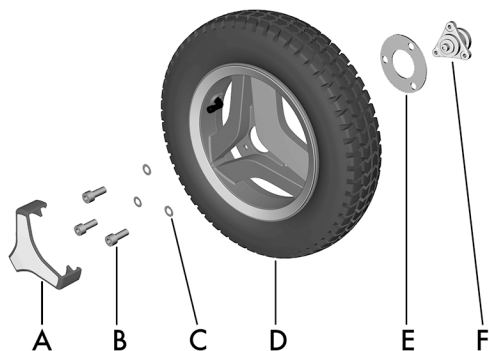


Figure 157. Assembly of the drive wheel.

- A.** Hub cap.
- B.** Screw, ISO 4762 M8x20 8.8 Fe/Zn 5 C1/TUF-LOK DIN 267-28.
- C.** Washer, ISO 7089 8 200 HV Fe/Zn 5 C1 (8,4x16x1,6).
- D.** Drive wheel.
- E.** Spacer, in use only when the wheelchair is fitted with winter tyres.
- F.** Wheel hub, do not remove the hub from drive package while performing service on the wheel.

The following tools are necessary for this task:

- 1 Torque wrench.
- 1 Allen key socket 6 mm.



NOTICE

Replace used wheel screw

If a wheel screw is removed for tyre service, replace it with a new, unused screw from Permobil and tighten it to the recommended torque. Also, inspect the drive axle and wheel rim for any damage. Damage to either part can cause the wheel bolt to loosen or fracture. Permobil recommends that wheel bolts be used only once.

Removing the drive wheels

- i** Do not remove the wheel hub (F) from the drive package while performing service on a wheel.

1. Switch off the main power switch on the control panel.
2. Jack up the wheelchair so that the wheel turns freely.
3. Use wedges to secure the chair further.

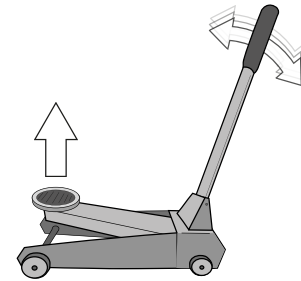


Figure 1 58. Use a jack or the equivalent to lift up the wheelchair.

4. Remove the hub cap by carefully levering it out using a finger on two edges of the hub cap.

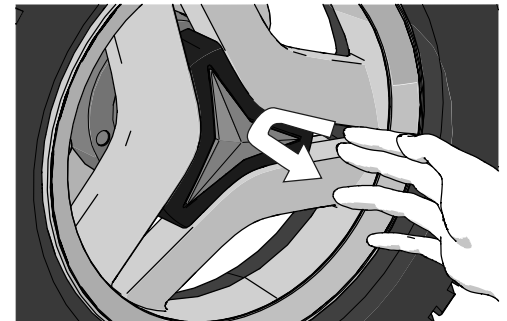


Figure 1 59. Use your fingers as follows on two edges of the hub cap.

5. Remove the three screws that hold the wheel in place. The central screw must not be removed.
6. Remove the wheel by pulling it straight out.
7. Remove the spacer (only on some models).

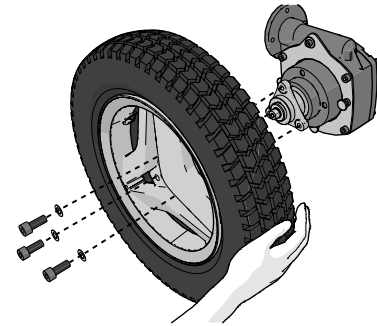


Figure 160. Pull the wheel straight out after you have removed the three screws.

Mounting drive wheels

1. Mount the spacer (only on some models).
2. Fit the wheel onto the wheel hub.
3. Insert the three screws and the three washers. Tighten the screws no more than 15 Nm.

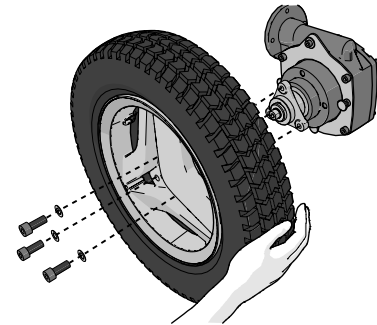


Figure 161. Mount the wheel onto the wheel hub.

4. When all screws and washers are in place, tighten the screws.
Tightening torque 24 Nm.

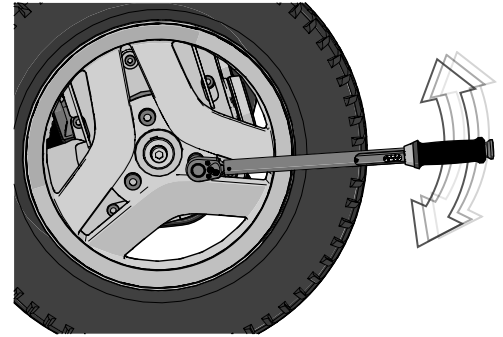


Figure 162. Use a torque wrench to tighten the screws.

5. Push the hub cap in place.
6. Remove the wedges.
7. Lower the wheelchair with the jack or the equivalent.

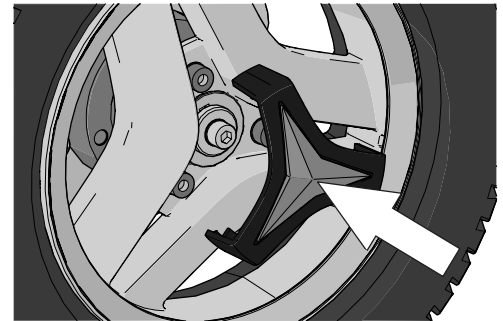


Figure 163. The hub cap snaps when it is in place.

Drive wheel rim

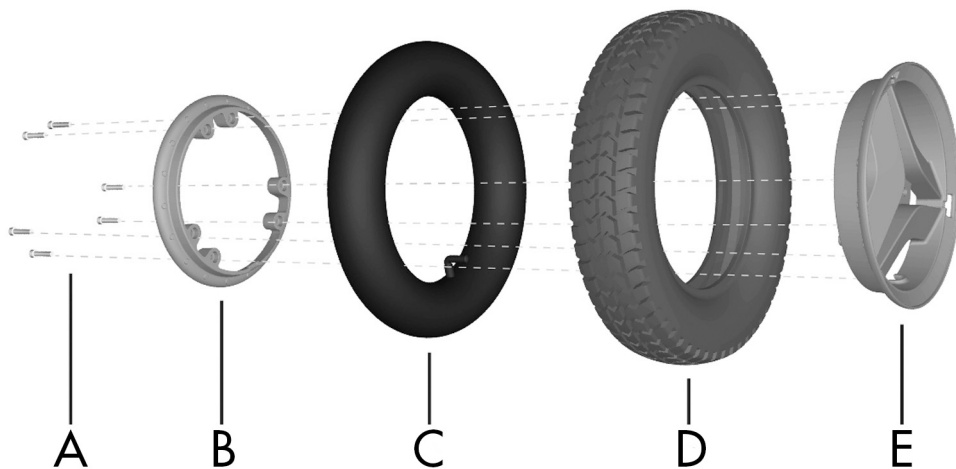


Figure 164. Assembling a pneumatic tyre to a split rim.

- A.** Screw, ISO 4762 M6x25 8.8 Fe/Zn 5 C1/TUF-LOK DIN 267-28.
- B.** Rim, inner section.
- C.** Inner tube (only on pneumatic tyres).
- D.** Tyre.
- E.** Rim, outer section.

Taking drive wheels rim apart



WARNING!

Risk of injury - release air from tyre

Ensure that pneumatic tyres are not pressurised before the rim is taken apart; otherwise there is a risk of personal injury.

The rim can be taken apart to make it possible to assemble/remove solid or pneumatic tyres.

1. Remove the wheel from the wheelchair. See *Drive wheels*, Page 211.
2. If the tyre is pneumatic, release the air.
3. Remove the six screws holding the two halves of the rim together.
4. Take the rim apart.

Putting drive wheels rim together

- (i)** Read all warnings contained in this section before filling the tyres. Failure to do so may result in bodily injury to the user and damage to the wheelchair and other property, and also void any guarantee applicable to the wheelchair.

Assemble in the reverse order. Tighten the six screws using a torque wrench. Tightening torque: 22 Nm. Inflate the tyre to the recommended tyre pressure: 200 – 250 kPa (2 – 2.5 bar).



CAUTION!

Risk of injury if tyre pressure is incorrect

Before operating your wheelchair the first time and at regular intervals, check the tyre pressure as specified in this manual. Also, check the tyre pressure when there has been a significant change in temperature or altitude. Incorrect tyre pressure may cause the wheelchair to be less stable and less manoeuvrable.

**NOTICE****Risk of damage if tyres are overfilled**

Do not overfill the tyres. Overfilling may result in risk of damage to the wheel assembly.

**NOTICE****Risk of reduced performance when insufficient tyre pressure**

Insufficient tyre pressure may result in abnormal wear and a shorter driving range.

**CAUTION!****Maintenance by a qualified service technician**

Only carry out the adjustments and maintenance specified in the manual. All other service, repairs and maintenance should be performed or supervised by a qualified service technician. Read all instructions carefully before proceeding. If questions arise, contact Permobil or a Permobil authorised dealer for assistance.

Inflating tyres

i Read all warnings contained in this section before filling the tyres. Failure to do so may result in bodily injury to the user and damage to the wheelchair and other property, and also void any guarantee applicable to the wheelchair.

i Applies only if the wheelchair is fitted with pneumatic tyres.

At regular intervals, check that the wheelchair's tyres have the prescribed tyre pressure, between 200 - 250 kPa (2 - 2.5 bar). Incorrect tyre pressure can impair stability and manoeuvrability, while extremely low tyre pressure can cause abnormal wear as well as shorter tyre life.

1. Unscrew and remove the plastic cap on the tyre air valve.
2. Connect the compressed air nozzle to the valve and adjust the tyre pressure to the prescribed level.
3. Refit the plastic cap.



Figure 165. Filling valve on drive wheel.

**CAUTION!****Risk of injury if tyre pressure is incorrect**

Before operating your wheelchair the first time and at regular intervals, check the tyre pressure as specified in this manual. Also, check the tyre pressure when there has been a significant change in temperature or altitude. Incorrect tyre pressure may cause the wheelchair to be less stable and less manoeuvrable.

**NOTICE****Risk of damage if tyres are overfilled**

Do not overfill the tyres. Overfilling may result in risk of damage to the wheel assembly.

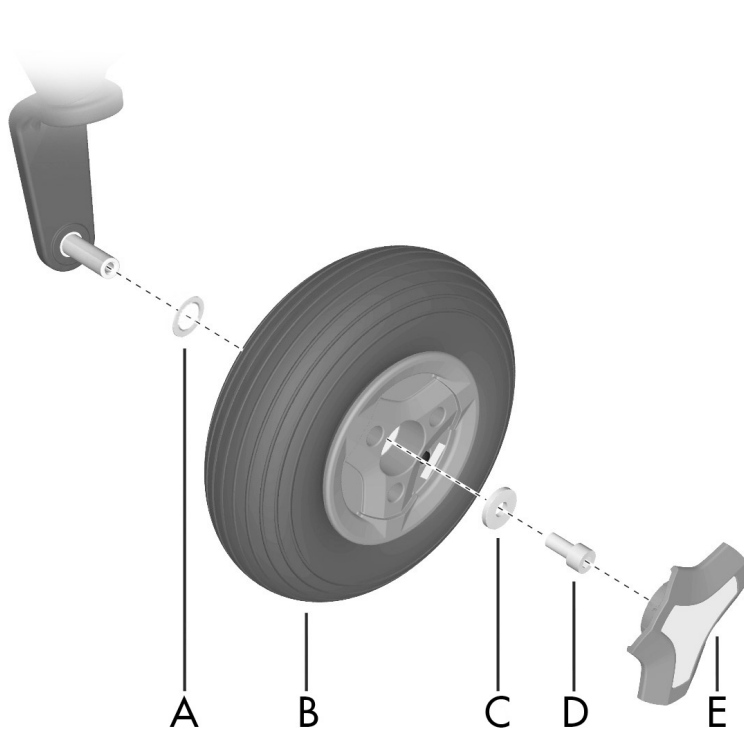
**NOTICE****Risk of reduced performance when insufficient tyre pressure**

Insufficient tyre pressure may result in abnormal wear and a shorter driving range.

**CAUTION!****Maintenance by a qualified service technician**

Only carry out the adjustments and maintenance specified in the manual. All other service, repairs and maintenance should be performed or supervised by a qualified service technician. Read all instructions carefully before proceeding. If questions arise, contact Permobil or a Permobil authorised dealer for assistance.

Castor wheels



- A.** Spacer
- B.** Wheel
- C.** Washer, 8.5x23x3
- D.** Screw, ISO 4762 M8x16 10.9 Fe/Zn/
TUF-LOK
- E.** Hub cap

Figure 166. Assembly of rim.

There are two revisions of the friction brake depending on the type of tyre (solid or pneumatic) that the wheelchair is equipped with.

If you have pneumatic tyres, you should have the friction brakes that have “12 PCS” engraved on their top surface.

If you have solid tyres, you should have the friction brakes that have “13 PCS” engraved on their top surface.

For this task, the following tools are necessary:

- 1 Torque wrench.
- 1 Allen key socket 6 mm.

Removing a castor wheel

1. Switch off the main power switch on the control panel.
2. Jack up the wheelchair so that the wheel turns freely and let out the air.
3. Remove the hub cap (E) by carefully levering it out using a screwdriver.
4. Remove the screw (D) and the washer (C).
5. Pull the wheel off the axis.



Figure 167. On top of the friction brake, there is a text that says either “12 PCS” or “13 PCS”.

Mounting a castor wheel



NOTICE

Replace used wheel screw

If a wheel screw is removed for tyre service, replace it with a new, unused screw from Permobil and tighten it to the recommended torque. Also, inspect the drive axle and wheel rim for any damage. Damage to either part can cause the wheel bolt to loosen or fracture. Permobil recommends that wheel bolts be used only once.

1. Check that the wheel axis and rim are undamaged. Clean as necessary to remove dirt and rust. Replace damaged parts.
2. Assemble the wheel onto the axle with the use of hand force only. Make sure the rim is fully seated upon the axle.
3. Assemble the washer (C) onto the screw (D) and secure the wheel. Tighten the screw using a torque wrench. Tightening torque: 24 Nm. Do not use a pneumatic impact wrench.
4. Assemble the hub cap (E).

Taking the castor wheel rim apart

1. Switch off the main power switch on the control panel.
2. Jack up the wheelchair so that the wheel turns freely and let out the air.
3. Remove the wheel. See *Removing a castor wheel*, Page 224.
4. Remove the three bolts with nuts that hold the inner and outer parts of the rim together.
5. Take the rim apart.

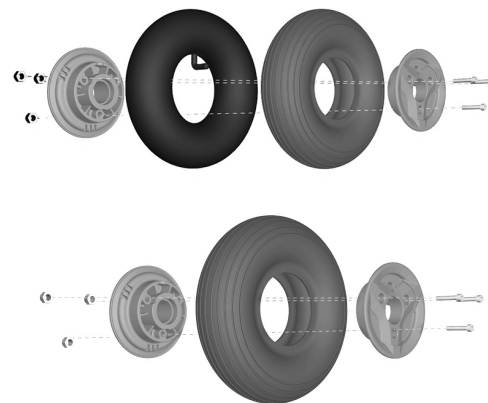


Figure 168. Rim.

Putting the castor wheel together

1. Fit the two rim halves together with the tyre.
2. Tighten the three screws using a torque wrench.
Tightening torque: 9.8 Nm.
3. Fit the wheel onto the wheelchair. See *Mounting a castor wheel*, Page 225.

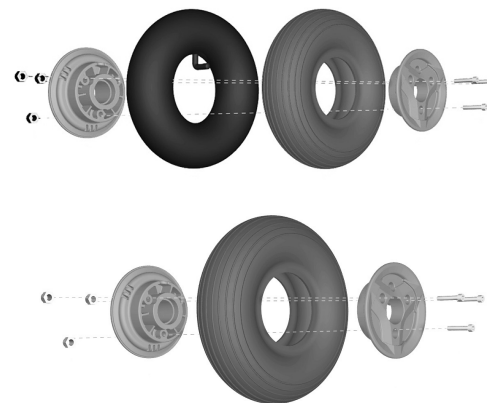


Figure 169. Rim.

Inflating castor wheels

- i** Applies only if the wheelchair is fitted with pneumatic tyres.
- i** Read all warnings contained in this section before filling the tyres. Failure to do so may result in bodily injury to the user and damage to the wheelchair and other property, and also void any guarantee applicable to the wheelchair.

At regular intervals, check that the wheelchair's tyres have the prescribed pressure. Incorrect tyre pressure can impair stability and manoeuvrability, while extremely low tyre pressure can cause abnormal wear as well as shorter tyre life. Accordingly, check regularly to ensure tyre pressure is maintained at 200 - 250 kPa (2 - 2.5 bar).

1. Unscrew and remove the plastic cap on the tyre valve.
2. Connect the compressed air nozzle to the valve and adjust the tyre pressure to the correct level.



Figure 170. Filling valve.

**CAUTION!****Risk of injury if tyre pressure is incorrect**

Before operating your wheelchair the first time and at regular intervals, check the tyre pressure as specified in this manual. Also, check the tyre pressure when there has been a significant change in temperature or altitude. Incorrect tyre pressure may cause the wheelchair to be less stable and less manoeuvrable.

**NOTICE****Risk of damage if tyres are overfilled**

Do not overfill the tyres. Overfilling may result in risk of damage to the wheel assembly.

**NOTICE****Risk of reduced performance when insufficient tyre pressure**

Insufficient tyre pressure may result in abnormal wear and a shorter driving range.

**CAUTION!****Maintenance by a qualified service technician**

Only carry out the adjustments and maintenance specified in the manual. All other service, repairs and maintenance should be performed or supervised by a qualified service technician. Read all instructions carefully before proceeding. If questions arise, contact Permobil or a Permobil authorised dealer for assistance.

Battery replacement

Removing batteries

The following tools are necessary for this task:

- Torque wrench.
- 1 Allen key socket 6 mm.
- 1 Wrench 10 mm.

**WARNING!****Use safety gloves and safety goggles**

Exercise caution when using metallic objects during work with batteries. A short-circuit can easily cause an explosion. Always use safety gloves and safety goggles. Remember that the batteries are heavy and must be handled with great caution.

**NOTICE****Disposal of malfunctioning batteries**

Used or malfunctioning batteries must be disposed of responsibly in accordance with local recycling regulations.

1. Place the wheelchair on a level surface. If possible, raise the seat lift halfway up, to facilitate removal of the chassis top cover.
2. Switch off the power supply using the on/off key on the control panel and switch the automatic main circuit breaker to Off.

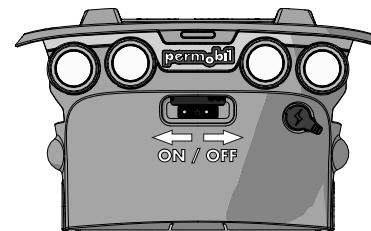


Figure 171. Main circuit breaker.

3. Remove the two knobs holding the chassis top and front covers.

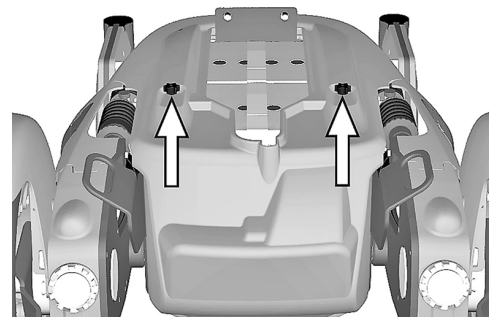


Figure 172. The chassis covers are secured with two knobs.

4. Slide the top cover off the chassis.

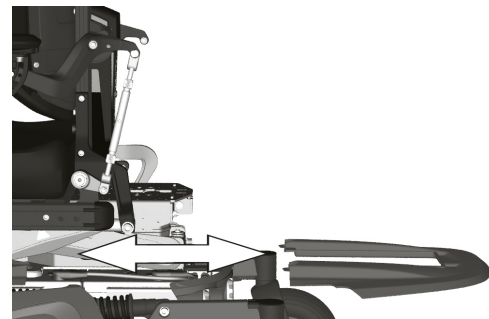


Figure 173. Top cover.

5. Pull the rear cover off the dual locks and off the chassis.

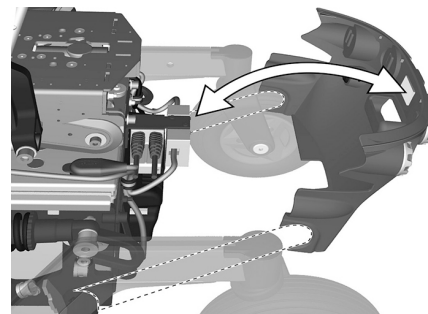


Figure 174. Rear cover.

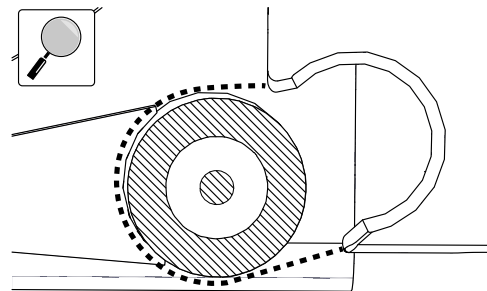


Figure 175. Enlargement showing the location of the cover on the rear axle.

**WARNING!****No load on the seat**

No load on the seat or the AP elevator during this operation. If there is any load on the seat or the AP elevator, it may cause permanent damage to the wheelchair or injury to the person (s) in the wheelchair and in close proximity to the wheelchair. This applies until the screws are re-installed to the correct torque.

6. Remove the four screws holding the battery box.
7. Disconnect the left motor and inhibit cable connector (C).
8. Disconnect the left motor and the bus cable connector (B).
9. Disconnect the control panel connector (A).

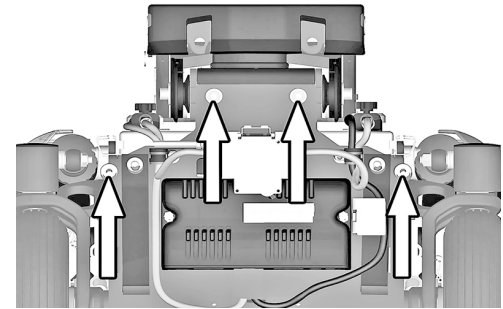


Figure 176. The battery box is secured with four bolts.

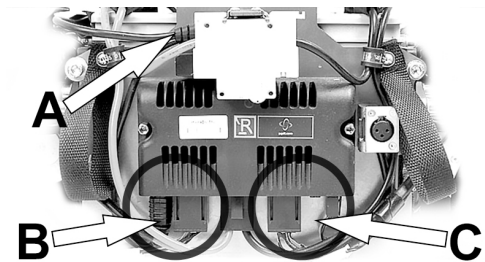


Figure 177. Connectors (B) and (C); for disconnection.

10. Use the straps to pull the battery box out of the chassis.

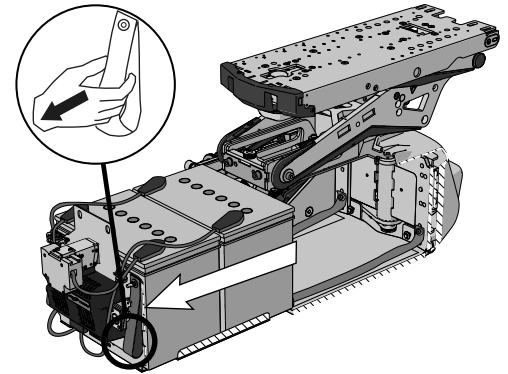
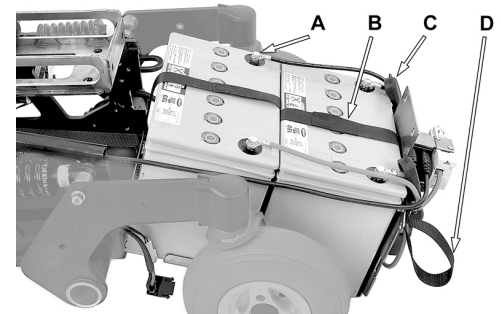


Figure 178. Straps for pulling out battery box.

11. Remove the battery terminal guards.
12. Unscrew the cables from the battery terminals.
13. Lift the batteries out of the battery box using the battery straps.



- A. Battery terminal.
- B. Battery strap.
- C. Battery terminal guard.
- D. Battery box pull-out strap.

Figure 179. Battery box when pulled out from chassis.

Installing batteries

The following tools are necessary for this task:

- Torque wrench.
- 1 Allen key socket 6 mm.
- 1 Wrench 10 mm.

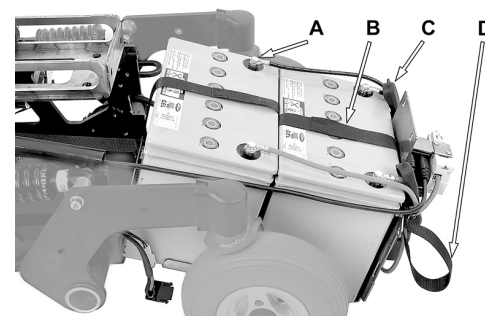
**NOTICE****Different types of batteries**

The chair can be equipped with 60Ah maintenance-free batteries or 73Ah maintenance-free batteries. Check carefully which battery you have.

**CAUTION!****Always use recommended batteries**

Always use batteries recommended by Permobil. Batteries that replace original batteries must have the same dimensions and specifications as the original batteries.

1. Use the battery straps and lift the new batteries in reverse order (leave the straps on the new batteries).



- A. Battery terminal.
- B. Battery strap.
- C. Battery terminal guard.
- D. Battery box pull-out strap.

Figure 180. Battery box when pulled out from chassis.

2. Ensure that the battery terminal positions match the appropriate specification in the figure and connect the batteries according to the matching specification. Also see the label on the inside of the chassis covers.

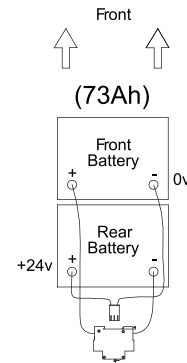


Figure 181 . Wiring schematics for the batteries.

3. Run and secure the cable connected to the left battery pole of the rear battery in the cable holder.

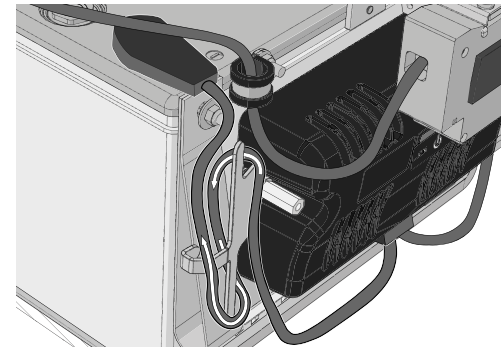


Figure 182. Run and secure the cable connected to the left battery pole of the rear battery as shown.

4. Run and secure the cable connected to the right battery pole of the rear battery in the cable holder.

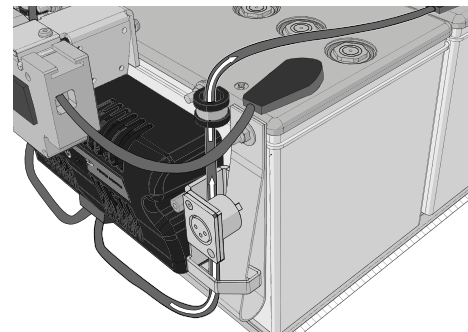


Figure 183. Run and secure the cable connected to the right battery pole of the rear battery as shown.

5. Push the battery box in to the chassis.

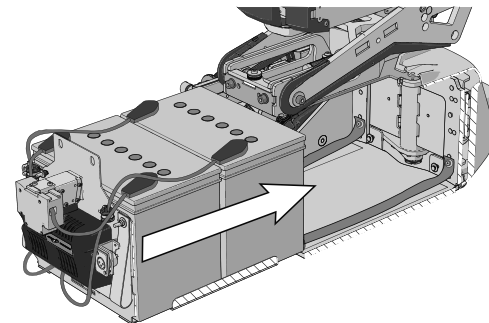


Figure 184. Push in the battery box.

6. Connect the left motor and inhibit cable connector (C).
7. Connect the left motor and bus cable connector (B).
8. Connect the control panel connector (A).

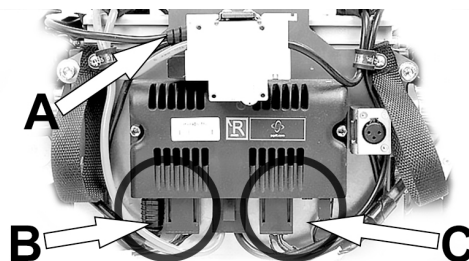


Figure 185. Connectors (B) and (C); for connection.

9. Refit the four screws securing the battery box. Use a torque wrench to tighten the screws. Tightening torque: 24 Nm.

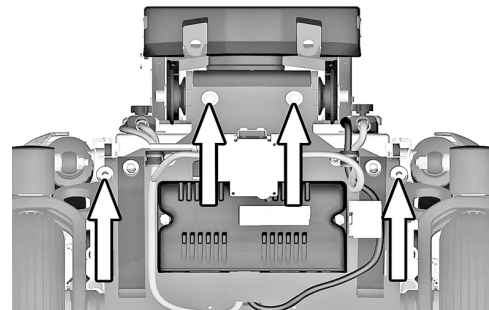


Figure 186. The battery box is secured with four bolts.

10. Refit the rear chassis cover onto the chassis.

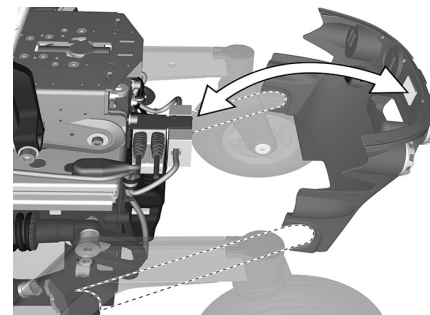


Figure 187. Rear cover.

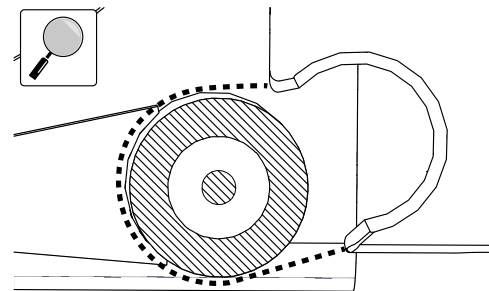


Figure 188. Enlargement showing the location of the cover on the rear axle.

11. Refit the top chassis covers onto the chassis.

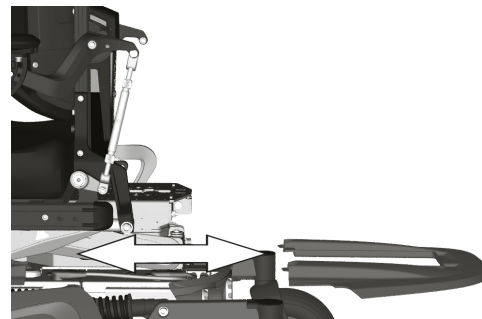


Figure 189. Top cover.

12. Refit the two knobs.

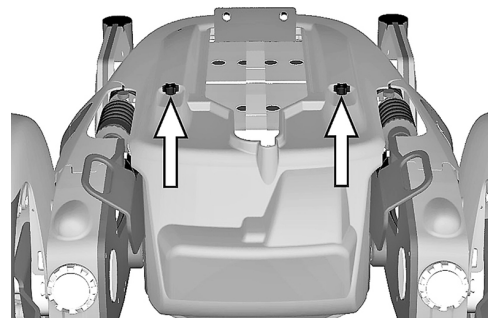


Figure 190. The chassis covers are secured with two knobs.

13. Switch the automatic main circuit breaker to the On position.

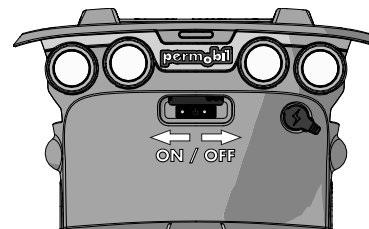


Figure 191. Main circuit breaker located under the rear lights.

Main circuit breaker

The main circuit breaker also functions as a battery isolator although it is referred to as the main circuit breaker in the user manual.

The main circuit breaker is automatic and can be reset when it has been triggered. Reset it by putting the switch to the On position.



NOTICE

Investigate tripped main circuit breakers

A tripped main circuit breaker often indicates a major electrical fault. The cause should be carefully investigated before resetting.



NOTICE

Before using the main circuit breaker

Always switch off the power to the control panel before switching off the main power with the main circuit breaker.

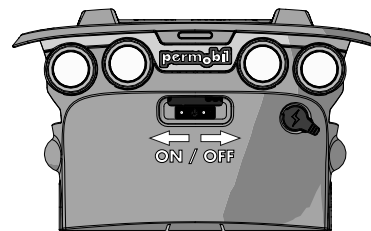


Figure 192. Main circuit breaker.

Accessories

Accessories for Permobil products are subject to continuous development. Contact your nearest Permobil dealer for more information on the accessories available for your product.

Technical specifications

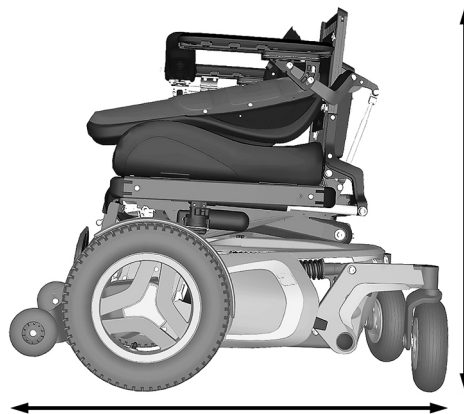
Overall dimensions



Length 1140 mm.
Height 1095 - 1170 mm.



Width 655 - 790 mm.



Smallest transportation size
Length 825 - 930 mm.
Width 655 - 790 mm.
Height 825 mm.

General

Product name	F5 Corpus
Wheelchair class	B

Dimensions and weight

Length	1140 mm
Width	655 – 790 mm
Height	1095 – 1170 mm
Weight, including batteries	186 kg
Minimum transport length	825 – 930 mm
Minimum transport height	825 mm
Minimum transport width	655 – 790 mm
Seat plane angle	0°
Effective seat depth	370 – 570 mm (in 25 mm increments)
Effective seat width	420 – 570 mm (in 50 mm increments)
Seat surface height at front edge (with powered seat lift)	450 – 750 mm
Seat surface height at front edge (with fixed seat pole)	450 – 475 – 500 mm (one time adjustment)
Backrest angle	135° (manual backrest) 150° & 180° (powered backrest)
Backrest height	470 – 670 mm (in 25 mm increments)
Backrest width	360 – 510 mm (in 50 mm increments)
Footplate to seat distance	265–430 / 145–270 mm
Leg support to seat surface angle	90° – 180° (manual and powered)

Dimensions and weight (continued)

Armrest to seat distance	185 – 320 mm
Distance between armrests	380 – 480/480 – 580 mm
Front location of armrest structure	0 – 435 mm
Horizontal displacement of axle	330 mm

Power adjustable leg length

Maximum length from footplate to seat plate	520 mm
Minimum length from footplate to seat plate	300 mm
Maximum load	70 kg

Wheels

Drive wheel tyre dimensions	3.00" x 8"
Castor wheel tyre dimensions	210 x 65 mm
Recommended tyre pressure	200 – 250 kPa (2 – 2,5 bar)

Performance

Range	25 – 35 km
Maximum speed forward	12 km/h
Minimum braking distance from max. speed	2,8 m
Hill-climbing ability	12°
Safe slope	6°
Static stability downhill	13°
Static stability uphill	17°

Performance (continued)

Static stability sideways	14°
Ability to negotiate obstacles (approach distance 0 cm)	70 mm
Ability to negotiate obstacles (approach distance 50 cm)	80 mm
Minimum ground clearance with user weight	76 mm
Maximum user weight	150 kg
Minimum turning diameter	1490 mm
Pivot width	1200 mm

Electronics

R-net drive electronics type	JSM-L-SV / PM 120
------------------------------	-------------------

Batteries

Recommended battery type	Group 24, gel
Battery capacity	2x73 Ah
Charging time	8 hours
Weight	17,5 kg

Circuit breakers

Main circuit breaker	63 A
----------------------	------

Batteries (continued)

Control force

Joystick	1.5 N
Keys	2 N

Restrictions and limitations

Support wheels	252
Speed restriction conditions	254
Conditions that limit seat movement	255

Support wheels

Support wheels, restrictions

The wheelchair is available in different configurations with and without support wheels. The purpose of these wheels is to reduce the risk of tipping forward when travelling at higher speeds. The weight, speed and stability information below will help achieve the right configuration for the user.



CAUTION!

Tip risk - do not remove support wheels

If it is determined that the user will require support wheels, they must remain fitted at all times.

Wheelchairs with support wheels

- The proper position for the support wheels is in the middle position.
- All users above 90 kg must have support wheels.
- Users above 110 kg must have a minimum seat depth of 445 mm.

Wheelchairs without support wheels

- Users must weigh less than 90 kg.
- Minimum seat depth is 445 mm. Seat depths between 370 and 420 mm must have support wheels.

Speed restriction conditions

Speed restriction	When	or when	or when	or when
Low speed	Seat elevated 50 - 150 mm	Back angle $\geq 150^\circ$	Tilt angle $-6^\circ - -10^\circ$	Leg support angle $> 150^\circ$ (angle to seat plate)
Extra low speed	Seat elevated > 150 mm	Tilt angle $-10^\circ - -20^\circ$	Tilt angle $-6^\circ - -10^\circ$ and leg support angle $> 150^\circ$ (to seat plate)	Tilt angle $-6^\circ - -10^\circ$ and seat elevated > 50 mm
Drive inhibit	Tilt angle $-21^\circ - -45^\circ$	Powered transfer footplates hit ground	Tilt angle $-10^\circ - -20^\circ$ and leg support angle $> 150^\circ$ (to seat plate)	Tilt angle $-10^\circ - -20^\circ$ and seat elevated > 50 mm

Conditions that limit seat movement

Actuator end limits excluded

Conditions > Function	When	or when	or when
Seat lift stopped	Tilt back angle >130° and rear of seat raised less than 120 mm when user weight 100 kg	-	-
Tilt backward stopped	Tilt back angle ≥180° *)	-	-
Tilt forward stopped (anterior tilt is when tilt <0°)	Tilt back angle >130° and rear of seat raised less than 120 mm when user weight 100 kg	Tilt back angle ≤85° *)	When tilt ≤ 0° unless Tone, Reach or Transfer option

Conditions > Function	When	or when	or when
Recline stopped	Tilt back angle $\geq 180^\circ$	Tilt back angle $\leq 85^\circ$	-
Leg support stopped	Total leg support angle $\leq 93^\circ$ when anterior tilt $> -10^\circ$	Total leg support angle \leq 98° when anterior tilt $< -10^\circ$	-

Observe *) Tilt or anterior tilt may continue if 'pushed backrest' is selected.

Troubleshooting

Troubleshooting guide.....	258
Diagnostics R-net LCD control panel	259
Diagnostics R-net LED control panel	263
Repairing defective units	268

Troubleshooting guide

The following troubleshooting guide describes a number of faults and events which may occur when you use the wheelchair, together with suggested remedies. Note that the guide cannot describe all the problems and events which may occur and you should always contact your service provider or Permobil in case of doubt.

Event	Possible cause	Remedy
The wheelchair does not start.	Batteries discharged.	Charge the batteries.
	The cable connection to the control panel has come loose.	Insert the cable in the control panel.
	Main circuit breaker switched to off position after e.g. battery replacement.	Reset the main circuit breaker. See page 244.
	Main circuit breaker tripped.	See page 244.
The wheelchair cannot be driven.	Battery charger connected.	Stop charging and disconnect the charging cable from the wheelchair's charging socket.
	Brake release activated.	Reset the brake release.
	Wheelchair locked.	Unlock the wheelchair.

Event	Possible cause	Remedy
The wheelchair switches itself off after a certain period of inactivity (20–30 min).	The electronics' energy-saving mode has been activated.	Switch the wheelchair on again using the start button on the control panel.
The wheelchair stops while being driven.	The cable connection to the control panel has come loose.	Insert the cable in the control panel.
	Main circuit breaker tripped.	See page 244.
The wheelchair can only be driven at reduced speed.	Seat lift or seat tilt raised too high. Applies only to a powered seat lift and seat angle.	Lower the seat lift or seat tilt.
The wheelchair cannot be charged.	Main circuit breaker switched to off position after e.g. battery replacement.	See page 244.
	The charging circuit breaker has tripped.	Wait five minutes, the circuit breaker will automatically reset.

Diagnostics R-net LCD control panel

General

When an error or a fault occurs in the wheelchair's electronics, information about it is displayed in the control panel display. This information can then be used to diagnose where the error, or fault, occurred and its cause.

Troubleshooting and repairs must always be performed by qualified personnel with good knowledge of the wheelchair's electronics.

Diagnostic screens

Current diagnostic screen

When the control system's integrated protection circuits have tripped so that the control system can no longer operate the wheelchair, a diagnostic screen is displayed in the control panel display.

This indicates a system fault, i.e. R-net has detected a problem somewhere in the wheelchair's power system.



NOTICE

The diagnostic screen displays error occasionally

If the fault is in a module not currently in use, it may still be possible to drive the wheelchair, but the diagnostic screen will display error occasionally.

Switch off the wheelchair and leave it switched off for a few minutes. Restart the wheelchair. If the fault persists, you must switch off the wheelchair and contact your service provider. Write down the information displayed in plain text in the control panel display and pass it on to your service provider.

Do not use the wheelchair until the problem has been remedied or you have received other instructions from your service provider.



WARNING!

Performing diagnostics

Diagnostics may only be performed by personnel with knowledge of the wheelchair's electronic control system. Incorrect or poorly performed repair work may make the wheelchair dangerous. Permobil accepts no liability for any personal injury or damage to the wheelchair and its surroundings that occur due to incorrect or poorly performed repairs.



NOTICE

Unapproved replacement of parts

If any part is replaced without approval from Permobil, the wheelchair guarantee will become invalid. Permobil accepts no liability for any loss that occurs as a result of a component of the R-net control system being opened, adjusted or modified without permission.

Example of a screen showing a system fault

Identified module

The system fault indicator is displayed on the screen when the control system module has detected a problem. The codes below indicate where the problem is located.

PM = Power module

JSM = Joystick module

Error message

The error message displayed in the bottom left corner of the screen provides a brief description of the error type.



PM
Low Battery

2C00

Figure 193. Screen showing system fault indication.

Error code

The four-digit code displayed in the bottom right corner of the screen indicates which protection circuit has tripped.

Diagnostics R-net LED control panel

Battery voltage indicator

Each time the wheelchair is started, parts of its electronics are checked. When a fault occurs in these parts, it is displayed on the control panel battery voltage indicator and the indicator for speed or driving profile in the form of one or more flashing LEDs.

Troubleshooting and repairs must always be performed by qualified personnel with good knowledge of the wheelchair's electronics.



NOTICE

Error signals

Error messages are not displayed by indicators while the wheelchair is being driven. They appear when it is next started.

Steady

Everything is in order. The number of LEDs that light up depends on the charge remaining in the batteries. If the batteries are fully charged, all the LEDs light up.

Slowly flashing red LEDs, 1–2 LEDs

The batteries must be charged immediately.

Rapidly flashing, 1–10 LEDs

A fault has been detected in the wheelchair's electronics and the wheelchair must not be driven.

1. Switch off the wheelchair.
2. Check that all visible cables and the cable to the control panel are connected correctly.
3. Switch the wheelchair on again. If the fault persists, count the number of flashing LEDs and check for a possible cause and remedy in the following table.
4. Do not use the wheelchair until the problem has been remedied or you have received other information from your service provider.




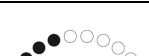
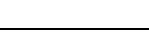


**WARNING!****Performing diagnostics**






Diagnostics may only be performed by personnel with knowledge of the wheelchair's electronic control system. Incorrect or poorly performed repair work may make the wheelchair dangerous. Permobil accepts no liability for any personal injury or damage to the wheelchair and its surroundings that occur due to incorrect or poorly performed repairs.

**NOTICE****Unapproved replacement of parts**

If any part is replaced without approval from Permobil, the wheelchair guarantee will become invalid. Permobil accepts no liability for any loss that occurs as a result of a component of the R-net control system being opened, adjusted or modified without permission.

Example of error messages and remedies

Event	Indication	Remedy
1 LED Low battery voltage		Check the condition of the batteries. Check the contact between the battery and the control unit.
2 LEDs Failure in left drive motor		Check the connection of the left drive motor.
3 LEDs Short circuit in left drive motor		Check the left drive motor's contacts and cables.
4 LEDs Failure in right drive motor		Check the connection of the right drive motor.
5 LEDs Short circuit in right drive motor		Check the right drive motor's contacts and cables.
6 LEDs Battery charger connected		Disconnect the battery charger.
7 LEDs Joystick error		Check that the joystick has not been moved when starting the wheelchair.

Event	Indication	Remedy
8 LEDs Control system error		Check the contacts to the output stage.
9 LEDs Failure in brake circuit		Check the contacts to the magnetic brakes.
10 LEDs High battery voltage		Check the battery and the contacts between the battery and the output stage.
7+5 LEDs Communication error		A communication error has been detected. Check that the cable to the control panel is not damaged and is correctly inserted.
Actuator indicator Actuator error		An actuator error has been detected. If the wheelchair is fitted with more than one actuator, check which one is not working. Check the actuator cable connections.

Repairing defective units

Apart from specific OEM-approved spare parts, there are no replaceable parts in the R-net control system. Contact Permobil for further information on OEM-approved spare parts. Defective units must be sent for repair to Permobil or an authorised Permobil service centre.



NOTICE

Unapproved replacement of parts

If any part is replaced without approval from Permobil, the wheelchair guarantee will become invalid. Permobil accepts no liability for any loss that occurs as a result of a component of the R-net control system being opened, adjusted or modified without permission.

Labels

General	270
Read the instructions.....	270
Main circuit breaker also battery isolator	271
Wheel locks.....	271
Tie-down point	272
Support wheels	272
Crush hazard	273
Warning.....	273
Battery connections and main circuit breaker	274

General

Take a good look at all the labels on the wheelchair and get acquainted with their meaning. The labels contain important information for safe and proper use.



WARNING!

Accident risk – Always replace missing labels

Never remove a label from the wheelchair. If a label becomes difficult to read or falls off, order a replacement label from Permobil.

Read the instructions

The label indicates that there are instructions that must be read and understood before use or adjustment.

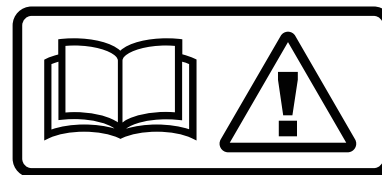


Figure 194. Read the instructions.

Main circuit breaker also battery isolator

The label shows switch positions for power supply Off or On.

A description of main circuit breaker function is found on page 244.



Figure 195. Main circuit breaker also battery isolator.

Wheel locks

The label shows the wheel lock release lever positions in released and activated states.

A description of wheel lock function is found on page 210.



Figure 196. Wheel locks.

Tie-down point

The label indicates where the wheelchair must be secured during transportation. There is a label next to each tie-down point.

A description of wheel lock function is found on page 189.

Support wheels

The label indicates that the wheelchair is fitted with support wheels to reduce the risk of tipping when driving over obstacles, etc. They must always be fitted when you drive.



Figure 197. Tie-down point.



Figure 198. The support wheels must always be fitted when you drive.

Crush hazard

The label indicates a crush hazard.



Figure 199. Crush hazard.

Warning

The label indicates that special attention is required.

Exercise extreme caution where this warning symbol appears.
Failure to observe warnings may lead to personal injury, including damage to the wheelchair and other property.



Figure 200. Warning, special attention is required.

Battery connections and main circuit breaker

The labels show the polarity which differs depending on which battery capacity, 60 Ah or 73 Ah, the product is equipped with.

The positive battery cable (+) is shown in red on the label.

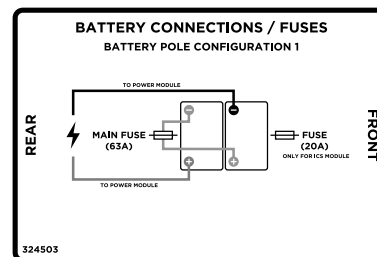


Figure 201. Battery terminals, main circuit breaker and fuse, apply to products equipped with 60 Ah batteries.

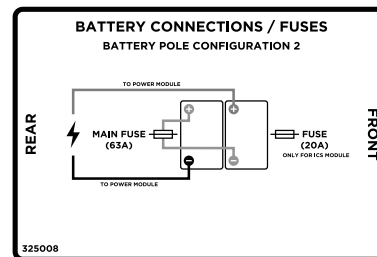


Figure 202. Battery terminals, main circuit breaker and fuse, apply to products equipped with 73 Ah batteries.

Index

- A**
- Accessories 245
 - Accessories, ordering 10
 - Admonitions, definitions 15
 - Air transportation 196
 - Anterior tilt 57
 - Anterior tilt, seat control panel.... 162
 - Armrest angle 77
 - Armrest height 76
 - Armrest height and angle,
individual adjustment 78
 - Armrest rotation 74
 - Armrest, adjustment 73
- B**
- Backrest recline 63
 - Backrest recline, seat control
panel 161
 - Backrest, adjustment 80
 - Backrest, powered 56
 - Backrest, remove 80
 - Batteries 50
 - Batteries, charge 183
 - Batteries, charging 206
 - Batteries, storage 206
 - Battery voltage indicator 153
 - Battery, replace 230
 - Bluetooth® mode 114
 - Brake release 181, 210
 - Buttons, ICS control panel 160
 - Buttons, R-net LCD 98
 - Buttons, R-net LED 149
- C**
- Castor wheels 228
 - Castors, remove or mount 224
 - Charging batteries 183, 206
 - Charging socket 52
 - Cleaning 206
 - Control panel R-net LED,
diagnostics 263
 - Control panel seat, ICS 158
 - Control panel, R-net LCD 97
 - Control panel, R-net LED 148
- D**
- Defective units, R-net control
system 268
 - Diagnostics R-net LCD control
panel 259
 - Diagnostics R-net LED control
panel 263
 - Display, R-net LCD 104
 - Documentation 10
 - Downhill, drive 177
 - Drive 168
 - Drive pack 48
 - Drive wheels, remove or
mount 211
 - Drive, joystick 171
 - Driving regulations 174
 - Driving technique 171

E

Emergency stop, R-net LCD.....	108
Error message, R-net LED control panel	266
Error, joystick	170

F

Footplate angle.....	69
Footplate height	68
Footplates, adjustment.....	68
Footplates, powered transfer	163
Footplates, seat control panel	163

G

General, drive	168
Guarantee	11

H

Headrest, adjustment.....	88, 90
---------------------------	--------

I

Incident, reporting.....	11
Infrared mode	127
IR control	127
IR mode.....	127

J

Joystick error.....	170
Joystick, drive.....	171

K

Knee support depth	71
Knee support height	73
Knee support width	72
Knee support, adjustment.....	70

L

Labels	202, 270
Leg length, power adjustable.....	162
Leg support angle	62

Leg support angle, seat control panel.....	162
Leg support length.....	67
Leg support top cover	66
Leg support, adjustment	66
Leg support, powered	59
Lights	49
Lock the control system, R-net LCD.....	139
Lumbar support.....	81

M

Main circuit breaker.....	51
Main circuit breaker, reset	244
Manual seat functions.....	61
Move joystick	171

O

Obstacles, driving over.....	175
------------------------------	-----

- P**
- Paddle switches, R-net LCD 98
 - Panel holder, adjustment 83
 - Positioning belt 210
 - Positioning belt, adjustment..... 85
 - Power adjustable leg length 60
 - Power adjustable leg length,
seat control panel 162
 - Powered footplates, seat control
panel..... 163
 - Powered seat functions..... 52
 - Powered transfer footplates, seat
control panel 163
- R**
- R-net control system, repair 268
 - R-net LCD control panel,
diagnostics..... 259
 - R-net LED control panel,
diagnostics..... 263
 - Reflectors 49
- S**
- Scrap 10
 - Seat lift 161
 - Seat lift, powered..... 54
 - Seat tilt, powered..... 55
 - Seat tilt, seat control panel 161
 - Seat-to-floor function, seat
control panel 163
 - Shock absorbers 48
 - Side slopes, drive 176
 - Slopes, drive..... 176
 - Spare parts, ordering 10
 - Support wheels, restrictions 180,
252
- T**
- Technical support 10
 - Tool bag 200
 - Transporting the wheelchair by
air..... 196
 - Transporting the wheelchair by
car 190
 - Transporting the wheelchair by
rail..... 196
 - Troubleshooting guide..... 258
 - Trunk support..... 82
 - Tyres, inflating 220
- U**
- Unlock the control system, R-
net LCD 139
 - Uphill, drive 179
- W**
- Wheel locks 181, 210
 - Wheels 48
 - Wheels, castor 228
 - Wheels, inflating..... 220

www.permobil.com

permobil



205356-UK-0 eng-UK