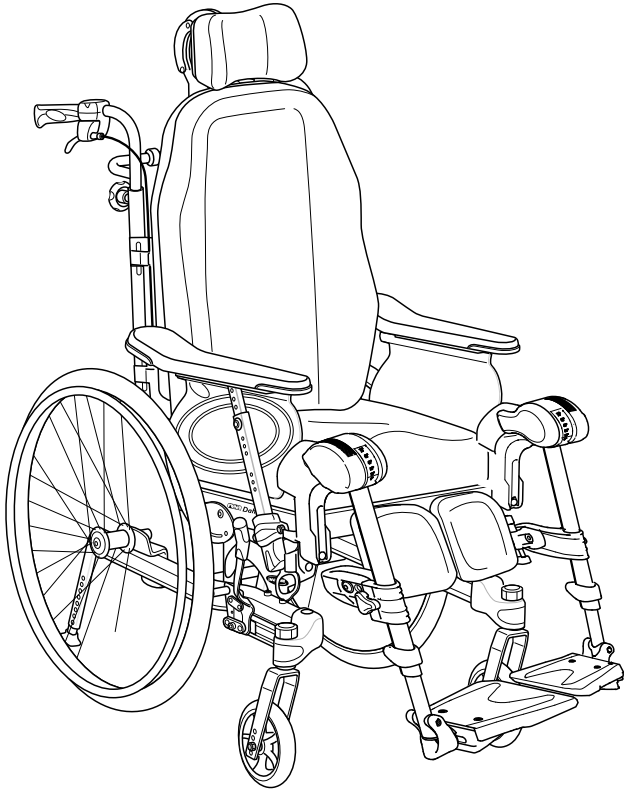


Rea® Dahlia® 30 / 45



en Manual wheelchair passive  
User Manual



This manual MUST be given to the user of the product.  
BEFORE using this product, this manual MUST be read and saved  
for future reference.

**rea**



**Yes, you can.**

©2021 Invacare Corporation

All rights reserved. Republication, duplication or modification in whole or in part is prohibited without prior written permission from Invacare. Trademarks are identified by <sup>™</sup>and <sup>®</sup>. All trademarks are owned by or licensed to Invacare Corporation or its subsidiaries unless otherwise noted.

# Contents

|   |           |   |           |
|---|-----------|---|-----------|
| <b>1 General</b> . . . . .  | <b>5</b>  | 4.10.3 Add a half tray cushion . . . . .  | 27        |
| 1.1 Introduction . . . . .  | 5         | 4.11 Seat height extension plate . . . . .  | 27        |
| 1.2 Symbols in this Document . . . . .                                      | 5         | 4.12 Calf strap padded . . . . .  | 27        |
| 1.3 Warranty Information . . . . .  | 5         | 4.13 Cover for footrest / foot plate . . . . .                                      | 28        |
| 1.4 Limitation of Liability . . . . .                                       | 5         | 4.13.1 Attaching a cover to the single foot plate . . . . .                         | 28        |
| 1.5 Compliance . . . . .  | 5         | 4.13.2 Attaching a cover to the one-piece footrest . . . . .                        | 28        |
| 1.5.1 Product-specific standards . . . . .                                  | 5         | 4.14 Privacy attachment . . . . .   | 28        |
| 1.6 Service Life . . . . .  | 5         | 4.15 Kerb lever . . . . .   | 28        |
| <b>2 Safety</b> . . . . .   | <b>6</b>  | 4.16 Ventilator Tray . . . . .  | 29        |
| 2.1 Safety Information . . . . .  | 6         | 4.17 Posture belt . . . . .   | 29        |
| 2.2 Safety Information on Electromagnetic Interference . . . . .            | 7         | 4.17.1 Assemble the Posture Belt for Positioning . . . . .                          | 30        |
| 2.3 Safety Devices . . . . .  | 7         | 4.17.2 Assemble posture belt to front attachment . . . . .                          | 30        |
| 2.4 Labels and symbols on the product . . . . .                             | 8         | 4.17.3 Assemble posture belt to rear attachment . . . . .                           | 30        |
| 2.5 Symbols on Electrical Version . . . . .                                 | 8         | 4.18 Harness . . . . .  | 30        |
| <b>3 Product Overview</b> . . . . .   | <b>9</b>  | 4.18.1 Attaching the harness . . . . .  | 31        |
| 3.1 Product Description . . . . .   | 9         | <b>5 Setup</b> . . . . .  | <b>32</b> |
| 3.2 Intended Use . . . . .  | 9         | 5.1 Safety information . . . . .  | 32        |
| 3.3 Main Parts of the Wheelchair . . . . .                                  | 9         | 5.2 Delivery check . . . . .  | 32        |
| 3.4 Parking brakes . . . . .  | 10        | 5.3 Assembly general . . . . .  | 32        |
| 3.5 Backrest . . . . .  | 10        | 5.4 Installing the Backrest . . . . .   | 32        |
| 3.5.1 Adjusting the “Laguna” tension adjustable backrest . . . . .          | 10        | 5.4.1 Fitting the backrest — Gas piston . . . . .                                   | 32        |
| 3.5.2 Adjusting the tension adjustable backrest . . . . .                   | 10        | 5.4.2 Fitting the safety shackle — Electrical piston . . . . .                      | 32        |
| 3.5.3 Adjusting the backrest angle . . . . .                                | 10        | 5.5 Placing the wires . . . . .   | 33        |
| 3.5.4 Tilting Seat and Backrest . . . . .                                   | 11        | 5.5.1 Wires with backrest plate . . . . .   | 33        |
| 3.6 Push handles / Push bars . . . . .                                      | 14        | 5.5.2 Wires with tension adjustable backrest . . . . .                              | 33        |
| 3.6.1 Adjusting the height of the connected push handles . . . . .          | 14        | 5.6 Inserting the armrests . . . . .  | 33        |
| 3.6.2 Adjusting the height of the push bar . . . . .                        | 15        | 5.7 Adjusting the armrest height . . . . .  | 33        |
| 3.6.3 Adjusting the angle of the push bar . . . . .                         | 15        | 5.8 Adjusting the armrest/side rest depth . . . . .                                 | 34        |
| 3.7 Seat . . . . .  | 15        | 5.9 Installing and Removing the Detachable Front Castors (if so equipped) . . . . . | 34        |
| 3.7.1 Width adjustment seat . . . . .                                       | 15        | 5.10 Mounting the rear wheels . . . . .   | 34        |
| 3.7.2 Adjusting the seat depth . . . . .                                    | 15        | 5.11 Angle adjustable leg rests . . . . .   | 34        |
| 3.7.3 Adjusting the seat cushion . . . . .                                  | 16        | 5.12 Fixed leg rests . . . . .  | 34        |
| 3.8 Leg rests . . . . .   | 16        | 5.13 Mounting the table tray . . . . .  | 35        |
| 3.8.1 Swing away leg rests . . . . .  | 16        | <b>6 Using the wheelchair</b> . . . . .   | <b>36</b> |
| 3.8.2 Swing Away, Angle Adjustable Leg Rests . . . . .                      | 16        | 6.1 General warnings — Usage . . . . .  | 36        |
| 3.8.3 Other foot plates and footrest . . . . .                              | 17        | 6.2 Brakes . . . . .  | 36        |
| 3.8.4 Adjusting the angle of the central legrest . . . . .                  | 18        | 6.2.1 Using the User Operated Brake . . . . .                                       | 36        |
| 3.9 Amputee legrest . . . . .   | 18        | 6.2.2 Using the One Arm Brake . . . . .   | 36        |
| 3.9.1 Adjusting angle, height and depth . . . . .                           | 18        | 6.2.3 Using the Carer-operated Brake . . . . .                                      | 36        |
| 3.10 One-arm drive . . . . .  | 18        | 6.3 Using the Tilt / Recline Function . . . . .                                     | 36        |
| 3.10.1 Using the One-arm Drive . . . . .                                    | 18        | 6.4 Move to/from the wheelchair . . . . .   | 37        |
| 3.10.2 Removing the Rear Wheel with One-arm Drive . . . . .                 | 19        | 6.5 Driving and steering the wheelchair . . . . .                                   | 37        |
| 3.11 Anti-tip device . . . . .  | 19        | 6.6 Negotiating steps and kerbs . . . . .   | 38        |
| 3.11.1 Adjusting the Height of the Anti-tipper . . . . .                    | 19        | 6.7 Going up and down stairs . . . . .  | 38        |
| 3.11.2 Activating and deactivating the anti-tip device . . . . .            | 20        | 6.8 Negotiating Ramps and Slopes . . . . .  | 38        |
| <b>4 Options</b> . . . . .  | <b>21</b> | 6.9 Stability and balance when seated . . . . .                                     | 39        |
| 4.1 Headrest/Neckrest . . . . .   | 21        | <b>7 Transport</b> . . . . .  | <b>40</b> |
| 4.1.1 Height adjustment . . . . .   | 21        | 7.1 Safety information . . . . .  | 40        |
| 4.1.2 Depth / angle adjustment . . . . .                                    | 21        | 7.2 Lifting the wheelchair . . . . .  | 40        |
| 4.2 Hemiplegic armrest . . . . .  | 21        | 7.3 Disassembly for transport . . . . .   | 40        |
| 4.3 Abduction cushion . . . . .   | 21        | 7.3.1 Backrest . . . . .  | 40        |
| 4.4 Trunk support with fixed arm . . . . .                                  | 22        | 7.3.2 Push handles/push bar . . . . .   | 40        |
| 4.5 Trunk support “swing-away” . . . . .                                    | 23        | 7.3.3 Angle adjustable leg rests . . . . .  | 41        |
| 4.6 Lateral positioning pads (for adjustable backrest cover only) . . . . . | 23        | 7.3.4 Fixed leg rests . . . . .   | 41        |
| 4.6.1 Using lateral positioning pads . . . . .                              | 23        | 7.4 Transporting the Mobility Device without Occupant . . . . .                     | 41        |
| 4.6.2 Using wedges with lateral positioning pad . . . . .                   | 24        | 7.5 Transporting the Occupied Wheelchair in a Vehicle . . . . .                     | 41        |
| 4.7 Adjusting the drip stand . . . . .                                      | 24        | <b>8 Maintenance</b> . . . . .  | <b>44</b> |
| 4.8 Tilt scale . . . . .  | 24        | 8.1 Safety information . . . . .  | 44        |
| 4.9 Table tray . . . . .  | 25        | 8.2 Daily performance check . . . . .   | 44        |
| 4.9.1 Adjusting the depth of the table tray . . . . .                       | 25        | 8.3 Maintenance Schedule . . . . .  | 44        |
| 4.9.2 Locking the table tray . . . . .                                      | 25        | 8.4 Maintenance electrical version . . . . .  | 45        |
| 4.9.3 Swing away table . . . . .  | 25        | 8.5 Cleaning and Disinfection . . . . .   | 45        |
| 4.9.4 Add a table tray cushion . . . . .                                    | 26        | 8.5.1 General Safety Information . . . . .  | 45        |
| 4.9.5 Add elbow cushions . . . . .  | 26        | 8.5.2 Cleaning Intervals . . . . .  | 45        |
| 4.10 Half tray . . . . .  | 26        | 8.5.3 Cleaning . . . . .  | 45        |
| 4.10.1 Mounting the half tray . . . . .                                     | 27        | 8.5.4 Washing . . . . .   | 46        |
| 4.10.2 Adjusting the half tray . . . . .                                    | 27        | 8.5.5 Disinfection . . . . .  | 46        |
|   |           | <b>9 After Use</b> . . . . .  | <b>47</b> |
|   |           | 9.1 Storage . . . . .   | 47        |
|   |           | 9.1.1 Storage Electrical Version . . . . .  | 47        |
|   |           | 9.2 Disposal . . . . .  | 47        |
|   |           | 9.2.1 Disposal Electrical Version . . . . .   | 47        |

|           |   |           |
|-----------|---|-----------|
| 9.3       | Reconditioning . . . . .  | 47        |
| <b>10</b> | <b>Troubleshooting . . . . .</b>  | <b>48</b> |
| 10.1      | Safety information. . . . .   | 48        |
| 10.2      | Identifying and repairing faults . . . . .                                      | 49        |
| 10.3      | Identifying and Repairing Faults, Electrical Version . . . . .                  | 49        |
| <b>11</b> | <b>Technical Data . . . . .</b>   | <b>50</b> |
| 11.1      | General information . . . . .   | 50        |
| 11.2      | Dimensions and weights . . . . .  | 50        |
| 11.3      | Maximum Weight of Removable Parts . . . . .                                     | 51        |
| 11.4      | Tyres. . . . .  | 51        |
| 11.5      | Materials. . . . .  | 52        |
| 11.6      | Environmental conditions. . . . .   | 52        |
| 11.7      | Environmental Conditions Electrical Version . . . . .                           | 52        |
| 11.8      | Electrical system — Models equipped with electric tilt<br>and backrest. . . . . | 52        |
| 11.9      | Electromagnetic compliance (EMC). . . . .                                       | 53        |



# 1 General

## 1.1 Introduction

This user manual contains important information about the handling of the product. To ensure safety when using the product, read the user manual carefully and follow the safety instructions.

Note that there may be sections in this document, which are not relevant to your product, since this document applies to all available models (on the date of printing). If not otherwise stated, each section in this document refers to all models of the product.

The models and configurations available in your country can be found in the country-specific sales documents.

Invacare reserves the right to alter product specifications without further notice.

Before reading this document, make sure you have the latest version. You find the latest version as a PDF on the Invacare website.

If you find that the font size in the printed document is difficult to read, you can download the PDF version from the website. The PDF can then be scaled on screen to a font size that is more comfortable for you.

For more information about the product, for example product safety notices and product recalls, contact your Invacare distributor. See addresses at the end of this document.

In case of a serious incident with the product, you should inform the manufacturer and the competent authority in your country.

## 1.2 Symbols in this Document

Symbols and signal words are used in this document and apply to hazards or unsafe practices which could result in personal injury or property damage. See the information below for definitions of the signal words.



### WARNING

Indicates a hazardous situation that could result in serious injury or death if it is not avoided.



### CAUTION

Indicates a hazardous situation that could result in minor or slight injury if it is not avoided.



### IMPORTANT

Indicates a hazardous situation that could result in damage to property if it is not avoided.



### Tips and Recommendations

Gives useful tips, recommendations and information for efficient, trouble-free use.

## 1.3 Warranty Information

We provide a manufacturer's warranty for the product in accordance with our General Terms and Conditions of Business in the respective countries.

Warranty claims can only be made through the provider from whom the product was obtained.

## 1.4 Limitation of Liability

Invacare accepts no liability for damage arising from:

- Non-compliance with the user manual
- Incorrect use
- Natural wear and tear
- Incorrect assembly or set-up by the purchaser or a third party
- Technical modifications
- Unauthorised modifications and/or use of unsuitable spare parts

## 1.5 Compliance

Quality is fundamental to the company's operation, working within the disciplines of ISO 13485.

This product features the CE mark, in compliance with the Medical Device Regulation 2017/745 Class I. The launch date of this product is stated in the CE declaration of conformity.

We are continuously working towards ensuring that the company's impact on the environment, locally and globally, is reduced to a minimum.

We only use REACH compliant materials and components.

We comply with the current environmental legislations WEEE and RoHS.

### 1.5.1 Product-specific standards

The wheelchair has been tested in accordance with EN 12183. It includes testing for flammability.

For further information about local standards and regulations, contact your local Invacare representative. See addresses at the end of this document.

## 1.6 Service Life

The expected service life of this product is five years when used daily and in accordance with the safety instructions, maintenance intervals and correct use, stated in this manual. The effective service life can vary according to frequency and intensity of use.

## 2 Safety

### 2.1 Safety Information

This section contains important safety information for the protection of the wheelchair user and assistant and for safe, trouble-free use of the wheelchair.



#### **WARNING!**

##### **Risk of death or serious injury**

In case of fire or smoke, wheelchair occupants are at particular risk of death or serious injury, when they are not able to move away from the source of fire or smoke. Lighted matches, lighter and cigarettes can cause an open flame in the wheelchair surroundings or on clothes.

- Avoid using or storing the wheelchair near open flames or combustible products.
- Do not smoke while using the wheelchair.



#### **WARNING!**

##### **Risk of injury**

- The wheelchair must always be prescribed by a qualified personnel or a competent person with knowledge about seating/positioning and others related to using a wheelchair.



#### **WARNING!**

##### **Risk of overturning**

The longitudinal position of the rear wheels axis of the wheelchair compared to the backrest position can affect its stability.

- A forwards position makes the wheelchair less stable and increase the risk of tipping backwards, but improves its maneuverability by a better grip position of the handrim and a short turning radius.
- Conversely, by moving the rear wheels axis backwards, the wheelchair is more stable and tilts less easily, but its maneuverability is reduced.
- Depending on the user's abilities and its particular safety limits, the decrease in stability can be compensated for by installing an anti-tipper device.



#### **WARNING!**

##### **Risk of falling**

- Check that all parts are attached securely to the frame.
- Check that all wheels, knobs, screws and nuts are properly tightened.
- Check that all brakes and anti-tip devices function correctly.
- Always apply the brake before getting into or out of the chair.
- Never stand on the foot plates when getting into or out of the chair, because of the risk of tipping.
- Changing the thickness of seat and/or backrest cushions impact the center of gravity of the chair, it can lead a risk of instability to the user if the set up is modified.
- Adjusting the seat angle can mean an increased risk of tipping over.
- The wheelchair must always be equipped with anti-tip devices.
- Remember that the effectiveness of the carer-operated brake is reduced in wet and slippery conditions, as well as when on a slope.
- Be careful to ensure that the castors and rear wheels are securely attached.



#### **WARNING!**

##### **Risk of foot injury**

There is a risk that you could injured your feet when opening doors with foot plate.

- Do not open doors with parts of the wheelchair.



#### **WARNING!**

##### **Risk of tipping/falling when using tension adjustable backrest**

- There is a risk of tipping and injury if the hook and loop straps on the backrest become too slack. Always check the tension. Also check that the rear wheels are adjusted to ensure that there is no risk of tipping.



#### **WARNING!**

##### **Risk of injury**

- Never lift the wheelchair by the detachable armrests, footrests, back brace or by the adjustable push handles. See section "usage" for more information.
- The handrims may become hot due to friction, which may cause injury to your hands.
- When mounting options, etc. be careful not to trap your fingers.
- There is always an increased risk of trapping parts of your body when tilting the wheelchair's back and seat.
- The width of the seat must not be reduced too much, as this would increase the pressure from the armrests to the side of the pelvis.

**CAUTION!****Risk of burning**

- The wheelchair components can heat up when exposed to external sources of heat.
- Do not expose the wheelchair to strong sunlight before use.
  - Before usage, check all components that come into contact with your skin for their temperature.

**WARNING!****Risk of pressure sores and contracted posture**

- The user must not be seated in a tilted position for a long time. The seating positions needs to be varied to avoid pressure sores.

**CAUTION!****Risk of injury**

- In case of pressure sore or injured skin, protect your injure to avoid a direct contact with the fabrics of the device. Refer to a healthcare professional for medical advices.

**IMPORTANT!**

When combining this product with another product, the restrictions of both products apply for the combination. E.g. the maximum user weight of one product in the combination may be lower.

- Only use combinations allowed by Invacare. Contact your Invacare distributor for information.
- Before use, read the user manual of each product and check the restrictions.

## 2.2 Safety Information on Electromagnetic Interference

This mobility device was successfully tested in accordance with International standards as to its compliance with Electromagnetic Interference (EMI) regulations. However, electromagnetic fields, such as those generated by radio and television transmitters, and cellular phones can influence the functions of powered mobility devices. Also, the electronics used in our mobility devices can generate a low level of electromagnetic interference, which however will remain within the tolerance permitted by law. For these reasons we ask you to please observe the following precautions:

**WARNING!****Risk of malfunction due to electromagnetic interference**

- Do not switch on or operate portable transceivers or communication devices (such as radio transceivers or cellular phones) when the mobility device is switched on.
- Avoid getting near strong radio and television transmitters.
- In case the mobility device should be set in motion unintentionally, switch it off immediately.
- Adding electrical options and other components or modifying the mobility device in any way can make it susceptible to electromagnetic interference. Keep in mind that there is no sure way to determine the effect such modifications will have on the overall immunity of the electronic system.
- Report all occurrences of unintentional movement of the mobility device to the manufacturer.

## 2.3 Safety Devices

**WARNING!****Risk of accidents**

- Safety devices that are incorrectly set or no longer working (brakes, anti-tipper) can cause accidents.
- Always check that the safety devices are working before you use the wheelchair and have them checked regularly by a qualified technician or your authorized provider.

**CAUTION!****Risk of Injury**

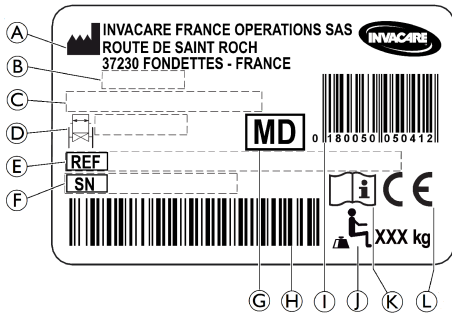
- Non-original or wrong parts may affect the function and safety of the product.
- Only use original parts for the product in use.
  - Due to regional differences, refer to your local Invacare catalog or website for available options or contact your Invacare distributor. See addresses at the end of this document.

The functions of the safety devices are described in chapter 3 *Product Overview*, page 9.



## 2.4 Labels and symbols on the product

### Identification label

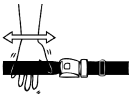
The identification label is attached to the frame of your wheelchair and gives the following information:



- Ⓐ Manufacturer's address
- Ⓑ Date of manufacture
- Ⓒ Product description
- Ⓓ Seat width
- Ⓔ Reference number
- Ⓕ Serial number
- Ⓖ Medical device
- Ⓗ Serial number barcode
- Ⓘ EAN/HMI barcode
- Ⓝ Maximum user weight
- Ⓚ Read user manual
- Ⓛ European conformity



|   |  |
|---|--|
|   | Read user manual   |
|  | Indicates a hazardous situation that could result in serious injury or death if it is not avoided. |

### Posture belt information label

|  |   |
|--|---|
|  | The posture belt has the good length, when there's just sufficient space for a flat hand between body and belt. |
|--|---|

### Snap hook symbols

Depending on the configuration, some wheelchairs may be used as a seat in a motor vehicle, some may not.

|   |   |
|---|---|
|  | Tie-down positions where the restraint system straps must be placed in case of transporting the occupied wheelchair in a motor vehicle. This symbol is only attached to the wheelchair when it is ordered with the transportation kit option. |
|  | <b>WARNING Symbol</b><br>This wheelchair is not configured for passenger transport in a motor vehicle. This symbol is attached to the frame close to the identification label.  |

## 2.5 Symbols on Electrical Version



Waste disposal and recycling information. See section "After Use", "Waste disposal"



CLASS II equipment



Product with a thermal fuse

**Type B Applied Part**



Applied Part complying with the specified requirements for protection against electrical shock according to IEC60601-1.



Safety Isolation transformer, general

## 3 Product Overview

### 3.1 Product Description

This is a passive wheelchair with seat and backrest tilting mechanism and swing-away, angle adjustable leg rests.

#### ! IMPORTANT!

The wheelchair is manufactured and configured individually to the specifications in the order. The specification must be performed by a healthcare professional according to the user's requirements and health condition.

- Consult a healthcare professional if you intend to adapt the wheelchair configuration.
- Any adaptation should be performed by a qualified technician.

### 3.2 Intended Use

The wheelchair is intended to provide mobility to persons limited to a sitting position with a high level of dependency, who are sitting in the wheelchair for long periods of time and propelling the wheelchair occasionally.

The wheelchair is intended for persons, ages 12 and up (adolescents and adults). The weight of the wheelchair occupant should not exceed the maximum user weight as stated in the Technical Data section and on the identification label.

The intended user is the wheelchair occupant and/or an assistant. The user should physically and mentally be able to use the wheelchair safely (e.g. to propel, steer, brake).

The wheelchair may be used indoors and outdoors on level ground and accessible terrain (depending on the chosen size of front castors).

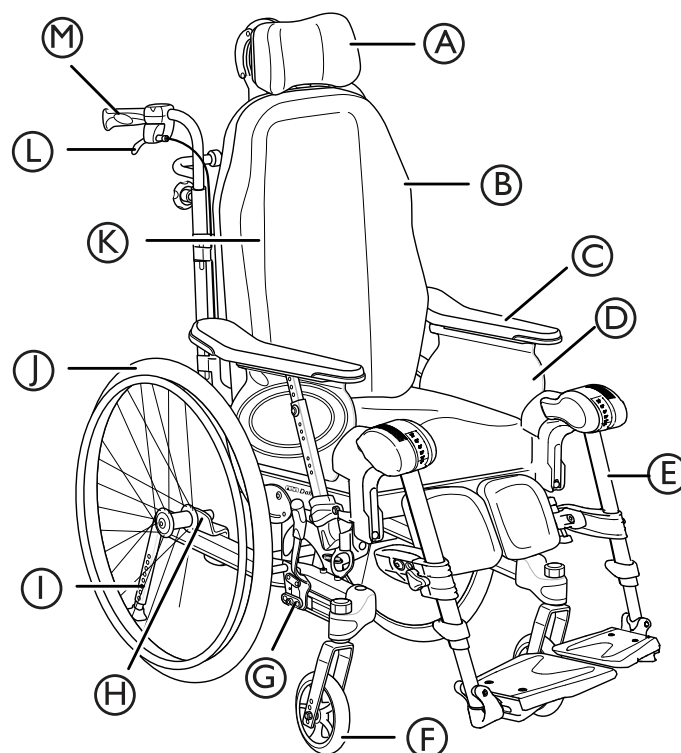
#### Indications

- Considerable to complete impairment of mobility due to structural and/or functional damage to the lower extremities.
- A steady upright sitting position is not possible due to the disability.

#### Contraindications

- A seat tilt is not suitable for users who are sensitive for increased blood pressure in the upper part of the body.

### 3.3 Main Parts of the Wheelchair



- Ⓐ Neckrest
- Ⓑ Backrest
- Ⓒ Armrest
- Ⓓ Seat
- Ⓔ Leg rests, swiveling
- Ⓕ Castor
- Ⓖ Brake
- Ⓗ Rear wheel plate
- Ⓘ Anti-tip device
- ⓵ Rear wheel with handrim
- Ⓚ Allen key for adjustment (on the back of the backrest cushion)
- Ⓛ Lever for backrest angle and seat tilt adjustment
- Ⓜ Push handle

**i** The equipment of your wheelchair may differ from the diagram as each wheelchair is manufactured individually to the specifications in the order.

**i** The wheelchair must always be equipped with seat cushion and armrests.

## 3.4 Parking brakes

The parking brakes are used to immobilize the wheelchair when it is stationary to prevent it from rolling away.



### WARNING!

#### Risk of overturning if you brake sharply

If you engage the parking brakes while you are moving, the direction of movement can become uncontrollable and the wheelchair may stop suddenly, which can lead to a collision or to you falling out.

- Never engage the parking brakes while you are moving.



### WARNING!

#### Risk due to wheelchair being out of control

- The parking brakes must be operated simultaneously.
- Do not engage the parking brakes to slow down the wheelchair.



### WARNING!

#### Risk of overturning

The parking brakes will not operate correctly unless there is sufficient air in the tyres.

- Ensure the correct tyre pressure, see section “Tyres” for more information.



### CAUTION!

#### Risk of pinching or crushing

There may be a very small gap between the rear wheel and the parking brake with the risk that you could trap your fingers.

- Keep your fingers away from movable parts when using the brake, always keep your hand on the brake lever.



The distance between the brake shoe and the tyre can be adjusted. The adjustment must be carried out by a qualified technician.

To operate the brake, refer to paragraph Using the wheelchair, section 6.2.1 Using the User Operated Brake, page 36.

## 3.5 Backrest

### 3.5.1 Adjusting the “Laguna” tension adjustable backrest



The “Laguna” tension adjustable backrest is only available on the Dahlia 30°.

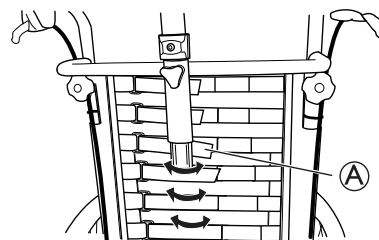


### WARNING!

#### Risk of injury

The position of the head could cause neck and/or breathing problems for the user if the hook and loop straps come loose at the top of the backrest.

- Make sure that the hook and loop straps only has a minimum of 6 cm overlap distance. Press the hook and loop straps firmly together and make sure that they stay fixated.



1. Adjust the shape of the “Laguna” tension adjustable backrest with the hook and loop straps **A**.



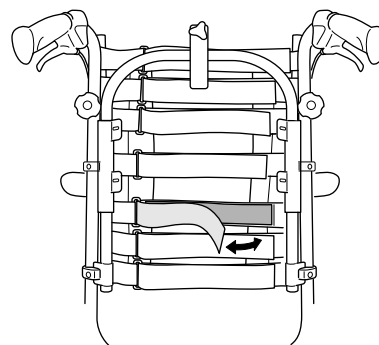
### WARNING!

#### Risk of injury

Too much slack on the hook and loop straps when using cover Lateral and neckrest bow/pole can cause pressure sores.

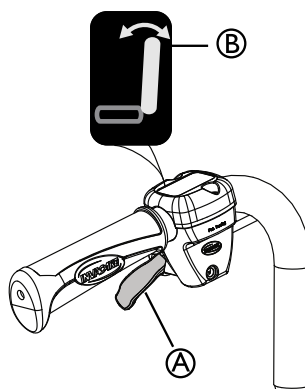
- Make sure that there is a space between the backrest and the neckrest bow/pole in order to avoid pressure sores.

### 3.5.2 Adjusting the tension adjustable backrest



1. Define where you would like to have a firmer support of the back of the user.
2. Have the user leaning forwards and tighten the straps in that region.
3. Make sure that all straps are fastened.
4. Apply the cover (start with the vertical middle) and make sure that the shape now created by the tension adjustable straps is preserved.

### 3.5.3 Adjusting the backrest angle



1. Use the **yellow lever** **A** marked with the **yellow symbol** **B** on the **left** hand side to angle the backrest.
2. Press upwards while you angle the backrest to the desired position.
3. Release the lever.

### 3.5.4 Tilting Seat and Backrest

The whole seat unit including the backrest can be tilted.



**WARNING!**  
**Risk of fatal injury**

Increased blood pressure against the upper part of the body.

- All combinations of settings (like opened knee angle + full tilt and recline) where the lower extremity's are positioned higher than the heart, have to be evaluated from a medical point of view. The position can be contra indicated for users who are sensitive for increased blood pressure in the upper part of the body.



**WARNING!**  
**Risk of choking or breathing problems**

The user might choke from eating or drinking when seated in a tilted or reclined position

- The user must be seated in a raised position before eating or drinking



**WARNING!**  
**Risk of tipping**

The risk of tipping backwards increases when the wheelchair is tilted or reclined

The user may slide out of the wheelchair even in a tilted or reclined position

- Always use anti-tipper device.
- Never leave the user at a flat of negative tilt angle without supervision.
- Use the posture belt for positioning.



**WARNING!**  
**Risk of injury**

The user needed to keep the head in an up-right position when the backrest is reclined, and/or the seat is tilted

- The backrest must always be equipped with a headrest or a neckrest.



**CAUTION!**  
**Risk of trapping fingers**

- Be careful when adjusting the angle of the backrest so that the assistant or user do not trap fingers between the backrest and the armrest.



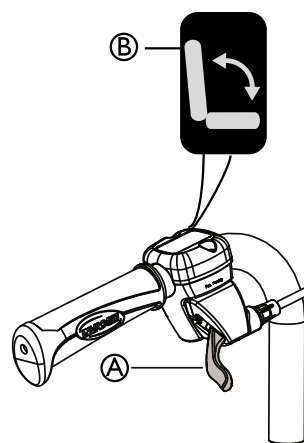
**CAUTION!**  
**Pressure sores difficulties**

Tilting and reclining position combination are uncomfortable for certain users.

- Be careful when adjusting the tilt or recline angle, always start tilting the seat and reclining the backrest second.

To operate the tilt and recline adjustment, refer to paragraph Using the wheelchair, section 6.3 *Using the Tilt / Recline Function*, page 36.

### Carer-operated tilt adjustment



1. Use the **green lever** **A** with the **green symbol** **B** on the **right** hand side to tilt the seat unit (seat and backrest).
2. Press upwards while you tilt the seat unit to the desired position.
3. Release the lever.

### User operated tilt



The user operated tilt is available with both a fixed armrest and with detachable armrests. The user operated tilt is only available for Dahlia 30.



**WARNING!**  
**Pressure sores and breathing difficulties**

The user might not be capable to return to a neutral position on his own

- The user operated tilt must be assessed by a qualified technician.



**WARNING!**  
**Risk of pinching**

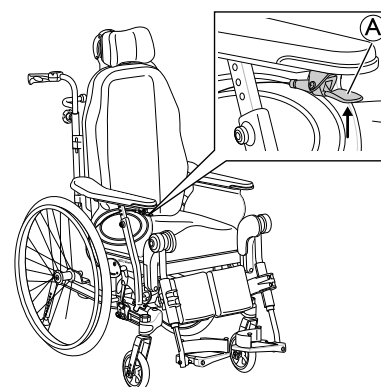
There is a risk of getting pinched between the side rest and the upper part of the angle adjustable legrest when tilting the chair.

- There must be a distance of minimum 25 mm between the side rest and the legrest when the chair is tilted. Adjust the depth of the side rest or the height of the armrest to avoid the risk of pinching.



**CAUTION!**  
**Difficulties to raise the backrest**

- Do not tilt the wheelchair more than 10° when using the user operated tilt. Otherwise you might have difficulties to return to a neutral position.

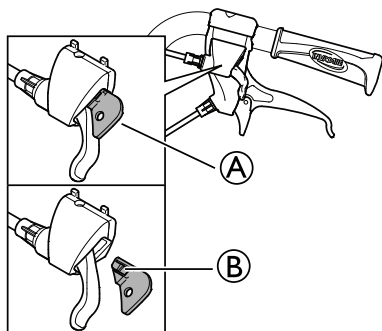


1. Press the tilt handle **A** under the armrest pad, the seat tilts automatically.
2. To raise the backrest upwards and return to a neutral position, press the tilt handle **A**. Press the forearms against the armrest pad when raising the seat and backrest.
3. When using the user operated tilt with detachable armrests, lean forward when returning to a neutral position.

**i** When using the user operated tilt with detachable armrests, more strength is needed to raise the backrest as the armrest pole cannot be used as a help.

**i** To return to a neutral position, move the feet a bit forward while raising from the tilted position.

### Locking the tilt and/or backrest angle adjustment



The locking device **A** allows you to set the tilting of the seat unit and/or the angling of the backrest to a fixed position.

1. Tilt and/or angle the seat and backrest to the desired position.
2. Insert the locking device **A**.

**i** The position is now set and cannot be changed.

To remove the locking device, press on the plastic peg **B** with a small object and pull outwards.

### Electric tilt and backrest angle adjustment



#### WARNING! Risk of injury

If the wheelchair is used by confused or restless users or users with spasms:

- either lock the hand control functions
- or make sure that the hand control is out of reach for the user.



#### WARNING! Risk of injury

When tilting the wheelchair, parts of the body can be squeezed between the armrest base and the rearwheel.

- Make sure that the distance between the armrest base and the rearwheel is always 25 mm or more.



#### CAUTION!

##### Risk of damage to the product

- Make sure that the hand control is not unintentionally activated.
- Do not let children play with the hand control.
- If anything unusual is observed, such as unusual sounds or uneven running during operation, shut down the system.



##### Risk of malfunction

- Work on the hand control or other electric parts (motors etc.) should only be carried out by a qualified technician.

When activating the On/Off button, a short “beep” confirms that the hand control is activated. The hand control is active in 30 seconds after the last action, before it is automatically deactivated.

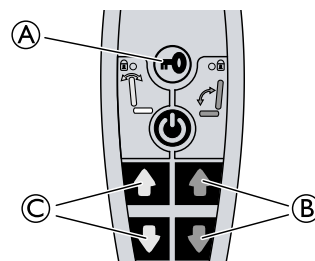
**i** The hand control can also be manually deactivated by pressing the On/Off button.

**i** The force needed to press the buttons on the hand control is 5 Nm (finger power).

### Symbols on the hand control

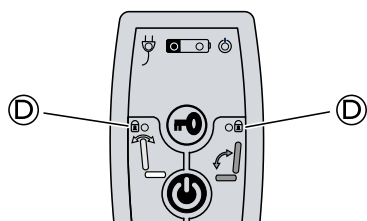
- Battery and charging indicator
- Locking function
- On/Off
- Backrest recline (yellow color on arrow and backrest)
- Seat tilt (green color on arrow, backrest and seat)
- Up/Down (yellow color for the backrest recline, green color for the seat tilt)

### Locking of recline and tilt function



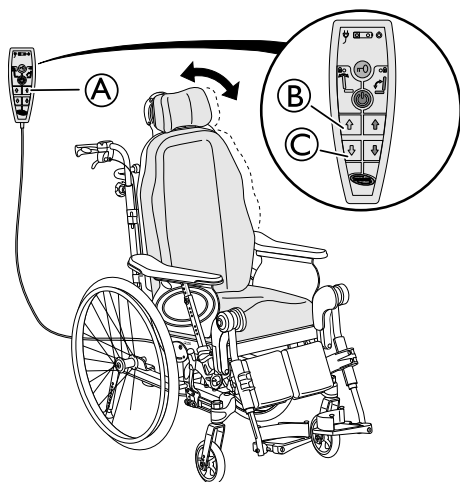
1. Press on the locking key **A**.
2. Keep pressing on the locking key.
3. Simultaneously press on the chosen function **B** for the seat tilt (green) or **C** for the backrest angle (yellow).
4. Repeat the procedure to unlock the function.





**i** When a function is locked, the yellow indication lamp **D** shines.

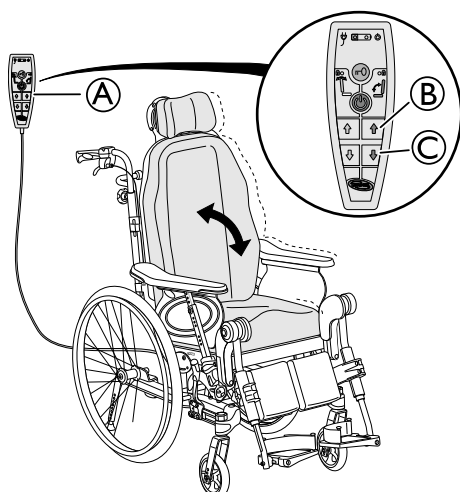
### Backrest angle adjustment



Adjust the angle of the backrest by using the yellow buttons on the left side of the hand control **A**.

1. Press button **B** to adjust the angle of the backrest forwards (up).
2. Press button **C** to adjust the angle backwards (down).

### Tilt adjustment seat



Tilt the seat unit (seat and backrest) by using the green buttons on the left side of the hand control **A**.

1. Press button **B** to adjust the angle of the seat unit forwards (up).
2. Press button **C** to adjust the angle of the seat unit backwards (down).



### CAUTION!

#### Risk of trapping fingers

Could result in minor injuries.

- The risk of trapping fingers, etc., is greater in electric adjustments than in user-operated adjustments.
- Bear in mind, for example, that a child may get hold of the control box, press the controls and get trapped, or trap the user.
- The hand control should only be used by authorised personnel.

### Charging the battery



### WARNING!

#### Risk of electrical shock

- The user must not sit in the wheelchair whilst charging the battery.



### Damage to the battery

- The battery must be charged 24 hours before using the system the first time.
- Unplug the mains cable after charging and before using the wheelchair.



The battery charger has different charging cables in order to adapt to different local electrical standards.



When the battery level is low (20 %), the system beeps when it is in use.

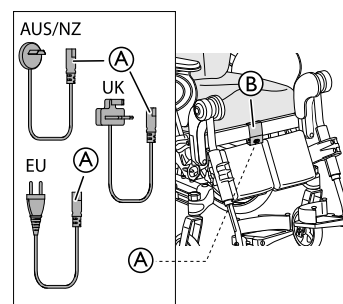
### Connect charger cable



### CAUTION!

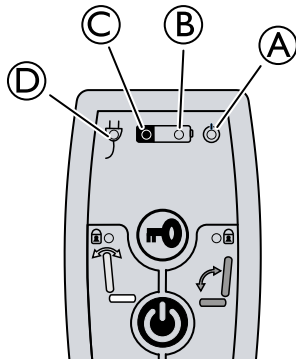
#### Damage to the cables.

- Do not sit in the wheelchair while charging the battery.



1. Connect the charger cable supplied with the chair into a wall socket.
2. Insert the charger cable **A** into the connector **B** which is located on the front of the wheelchair.
3. Unplug the cable when the battery is fully charged.

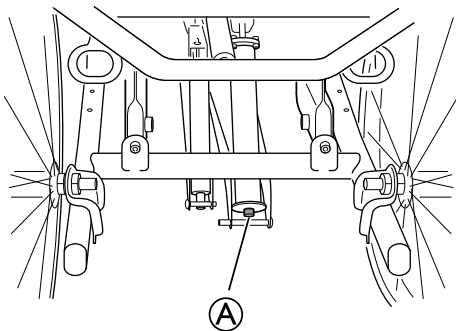
## Hand control — Battery indications




- Ⓐ Green light — ON — Hand control is activated
- Ⓑ
  - Green light — ON — Battery level is above 20%
  - Green light blinking — ON — Battery is charging (fixed light when the battery is fully loaded)
- Ⓒ
  - Yellow light — ON — Battery level is low, below 20%
- Ⓓ Green light — ON — Battery cable is connected (lights up about 5 seconds after connecting the cable)


## Adjusting the resistance of the tilt function

The resistance of the tilt function can be adjusted in order to increase or decrease the resistance when tilting. The resistance can be adjusted individually for every user:




1. Make sure that the seat is not tilted before adjusting the resistance.
2. Adjust the screw Ⓐ to attain the desired resistance.
3. Adjust the screw Ⓐ outwards to decrease the resistance when tilting backwards. The resistance when raising the tilt will now increase.
4. Adjust the screw Ⓐ inwards to increase the resistance when tilting backwards. The resistance when raising the tilt will now decrease.

 Tool: 5 mm allen key

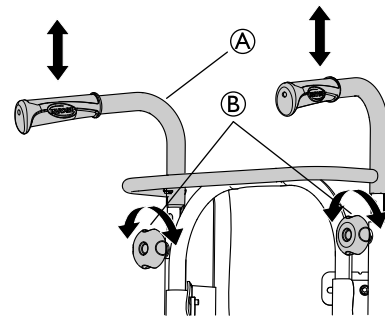
 The wheelchair always has the seat in standard position (0 degrees tilted) when it is delivered from the factory.

## 3.6 Push handles / Push bars

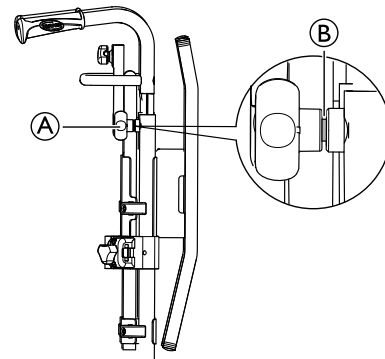
The following instructions and warnings are valid for all push handles and the push bar.


 Concerning the push handles/push bar for the bent backrest tubes follow the instructions for height adjustment of the push bar.

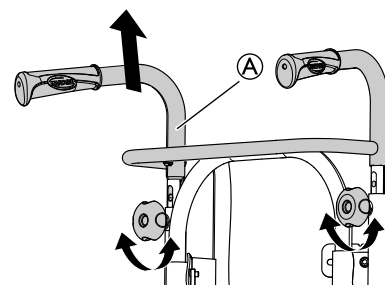
### 3.6.1 Adjusting the height of the connected push handles




1. Loosen the hand wheels Ⓑ.
2. The height of the push handles braced / push bar Ⓐ can be adjusted simply by pulling the handles upwards or pushing them downwards.
3. Adjust to the height that you require.
4. Re-tighten the hand wheels.



 Make sure that the hand wheel for the push handle Ⓐ fits the hole in the tubes. If the threaded tap of the hand wheel Ⓑ is more than app. 2,5 mm visible, the position is wrong. Lower or raise the push handle to get the hand wheel in the correct position.



 The push bar/push handles braced Ⓐ must not be pulled up so that it protrudes more than 19 cm over the top edge of the attachment.

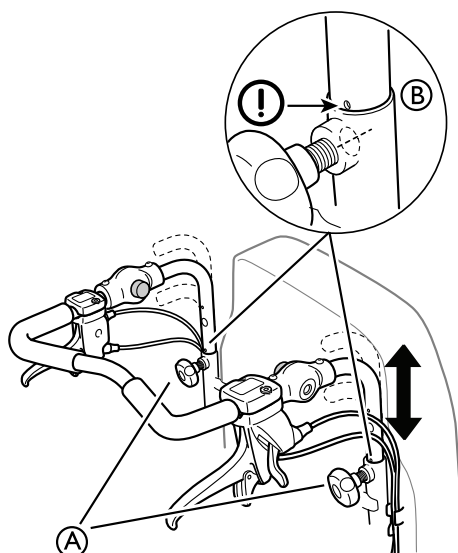


#### CAUTION!

##### Risk of trapping fingers

– Do not trap your fingers between the push handles braced and the neckrest attachment. (If you have a tension adjustable backrest).

### 3.6.2 Adjusting the height of the push bar



1. Loosen the hand wheels (A).
2. Adjust the handles to the required height position. There are two fixed positions available.
3. Re-tighten the hand wheels.

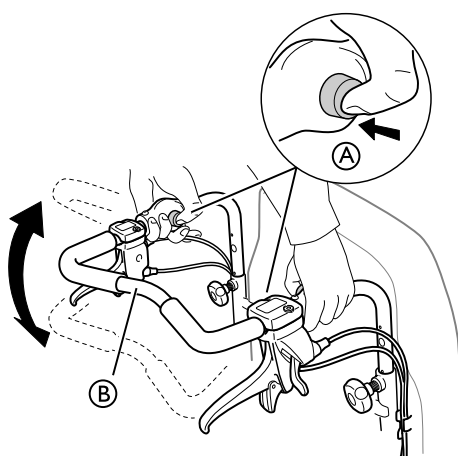


#### **WARNING!** Risk of injury

The push bar can loosen from the attachments

- Make sure that the marking (B) on the tubes are fitted against the backrest tube.
- Check that the handwheels can be tightened properly, the screw of the handwheel should barely be visible. If the push bar is in the wrong position, the handwheel will not be possible to tighten properly.

### 3.6.3 Adjusting the angle of the push bar



1. Press the buttons (A).
2. Adjust the push bar (B) to the preferred angle.
3. Release the buttons (A).



Move the push bar slightly in order for the buttons to lock into position.

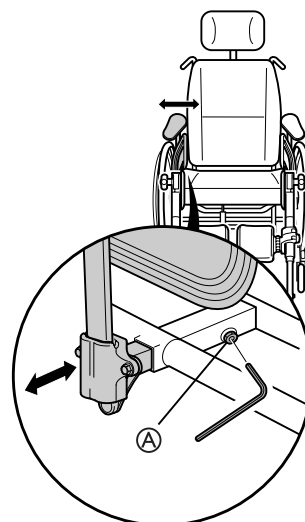


#### **WARNING!** Risk of imbalance

– Do not hang anything on the push bar, this could cause imbalance.

## 3.7 Seat

### 3.7.1 Width adjustment seat



1. Loosen the screw (A) with an Allen key.



Tools: 5 mm Allen Key

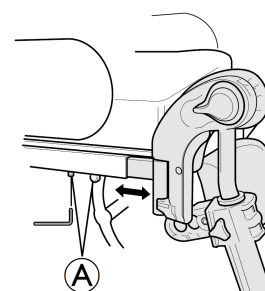
2. Adjust the armrests to the desired width.
3. Re-tighten the screw (A).



#### **Risk of poor adjustment**

– There must not be any pressure on the armrest / legrest while adjusting the screw.

### 3.7.2 Adjusting the seat depth

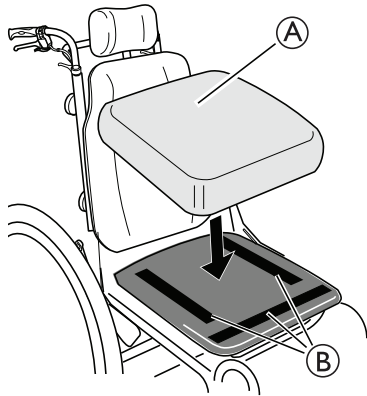


1. Remove the seat cushion.
2. Loosen the screws (A) with an 5 mm Allen key.
3. Move the front edge of the seat forwards or backwards.
4. Re-tighten the screws (A) (5–6 Nm).
5. Put the seat cushion back.



The distance between the back of the knee/calf and the cushion should be as small as possible, but without contact.

### 3.7.3 Adjusting the seat cushion



Depends of the cushion model, some seat cushion (A) can be secured with hook and loop straps (B) on the seat plate.



**WARNING!**

**Risk of seat cushion sliding**

- Make sure that the hook and loop straps are pressed firmly together and make sure that they stay fixated.

### 3.8 Leg rests



**WARNING!**

**Risk of injury**

- Never lift the wheelchair by the footrest supports or leg rests.



**CAUTION!**

**Risk of pinching or crushing fingers**

- There are swing mechanisms where you could trap your fingers.
- Be careful when using, swinging, disassembling or adjusting these mechanisms.

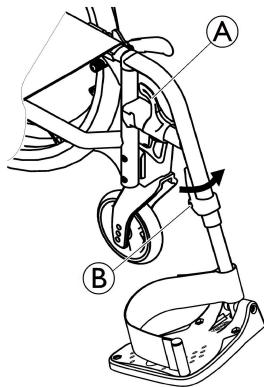


**IMPORTANT!**

**Risk of damage to the leg rest mechanism**

- Do not place anything heavy, or let children sit on the leg rest.

#### 3.8.1 Swing away leg rests



#### Swinging outwards

1. Activate the release lever (A) and swing the leg rests to the outside.

#### Swinging forwards

1. Swing the leg rest forwards until it engages.

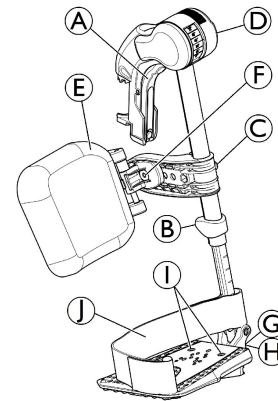
#### Unhinging

1. Activate the release lever (A).
2. Pull the leg rest upwards.

#### Hinging

1. Hinge the leg rest on the front of the frame and swing it forwards until it engages.

#### 3.8.2 Swing Away, Angle Adjustable Leg Rests



#### Swinging outwards

1. Activate the release lever (A) and swing the leg rests outwards.

#### Swinging forwards

1. Swing the leg rest forwards until it engages.

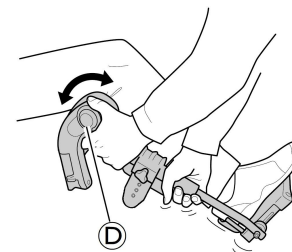
#### Unhinging

1. Activate the release lever (A), swing the leg rest outwards.
2. Pull the leg rest upwards.

#### Hinging

1. Push the leg rest down into its receiver and swing it forwards until it engages.

#### Adjusting angle

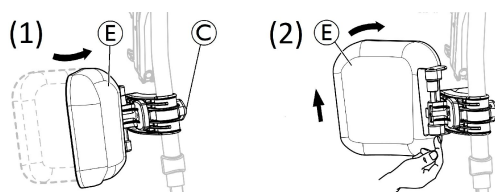


There are six preset positions available for angle adjustment.

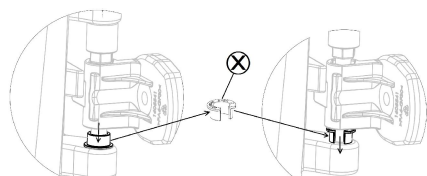
1. Rotate the knob (D) with one hand while supporting the leg rest with your other hand.
2. When a suitable angle is obtained, let go off the knob and the leg rest will lock into the desired position.

## Swinging calf pad and adjustments


- Swinging calf pad forwards (1) or backwards (2):



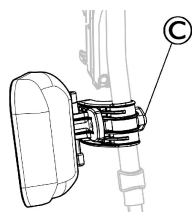
- Swing calf pad (E) forwards (1).
  - Pull up the calf pad (E) and swing it backwards (2).
- Locking the calf pad swing backwards:



- Extract the grey spacer open ring (X) out of its location.
- Reverse the grey spacer open ring.
- Insert the grey spacer open ring (X) as shown on the right side of the diagram.

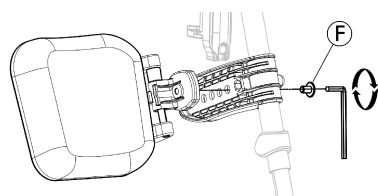
 Reverse this procedure to unlocking the calf pad swing backwards.

- Adjusting height of calf pad:



- Loosen knob (C).
- Adjust to the desired height and firmly tighten the knob.

- Adjusting depth of calf pad



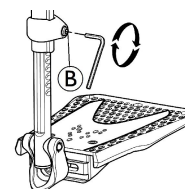
The calf pad has four depth adjustment options:

- Remove the fixing screw (F) with 5 mm Allen key.
- Adjust to one of the four positions and firmly tighten the fixing screw (F) (3–5 Nm).


## Adjusting foot plate

There are three different fold-up foot plates available.

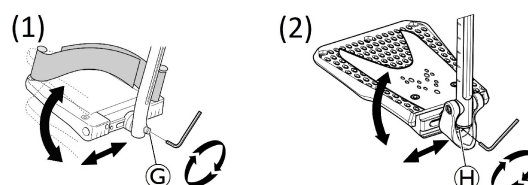
- Standard height-adjustable foot plates:



- Loose the fixing screw (B) with 5 mm Allen key.
- Adjust the height and let the screw catch one of the recesses on the foot plate tube.
- Tighten the fixing screw (B) (3–5 Nm) in the desired position.

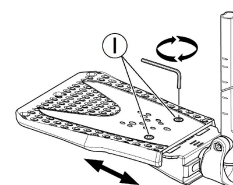
 The distance between the lowest part of the footrest and the ground must be at least 50 mm.

- Depth-, Angle- (1) and Width- (2) adjustable foot plates:




- Loosen the fixing screw (G) or (H) with 5 mm Allen key.
- Adjust the depth and angle positions and firmly tighten the fixing screw (G) (12 Nm) or (H) (8–9 Nm) in the desired position.

- Width-adjustable foot plates (2):



- Loosen the two fixing screws (I) with 5 mm Allen key.
- Adjust the width position and firmly tighten the two fixing screws (I) (3–5 Nm) in the desired position.

Invacare recommends that foot plate adjustment is carried out by a qualified technician.

 To ensure a good position of the feet, two types of straps can be provided; the heel strap (I) (serial) and the calf strap (optional) attached to the leg rest support. Both adjustable by hook and loop fasteners.

## 3.8.3 Other foot plates and footrest

### Adjusting the one-piece footrest

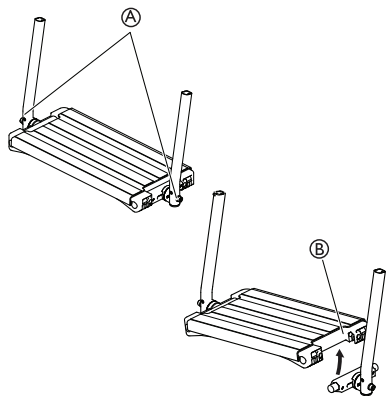


#### WARNING!


#### Risk of trapping fingers

The fingers might get trapped between the foot plate and the foot plate attachment.

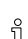
- Be careful not to trap your fingers between the foot plate and the foot plate attachment when folding it down.

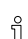


1. Adjust the angle and the depth by loosening the two screws **A** at the foot plate attachment.

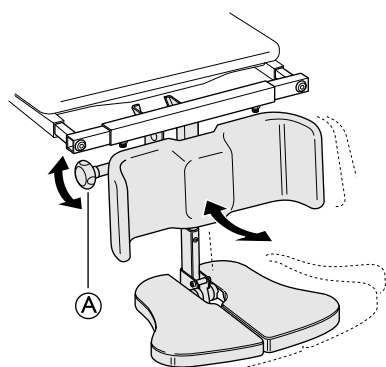
 Tool: 5 mm allen key

2. Adjust the foot plate to the correct position.
3. Re-tighten the screws with 10 Nm.


 The foot plate can be flipped up. Lift the foot plate **B** upwards as shown on the picture above.


 Do not place anything on the foot plate when the screws are loose.

### 3.8.4 Adjusting the angle of the central legrest



1. Loosen the adjustment knob **A**.
2. Hold the foot plate with the other hand.
3. Adjust to the appropriate leg angle.
4. Re-tighten the knob.

 **WARNING!**  
**Risk of trapping fingers**  
When adjusting the foot plate, the fingers might get trapped.  
– Loosen the adjustment knob with one hand and hold the foot plate with the other hand to avoid trapping yours or anyone else's fingers.

 **CAUTION!**  
**Risk of damage**  
The legrest might cause damage to the floor.  
– When the seat is tilted forwards on a chair with a long legrest length and low seat height, there is a risk of the legrest hitting the floor and causing damage.

## 3.9 Amputee legrest



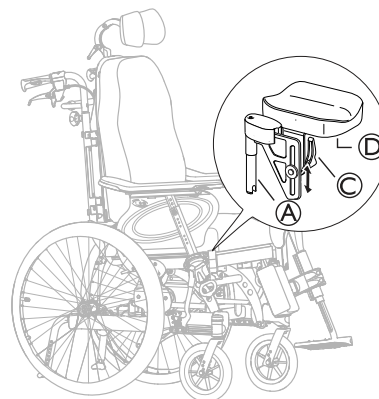
### WARNING!

#### Risk of tipping

There is an increased risk of tipping for amputated users.

- Use anti-tippers and/or re-balance the wheelchair when amputee legrests are used.

### 3.9.1 Adjusting angle, height and depth

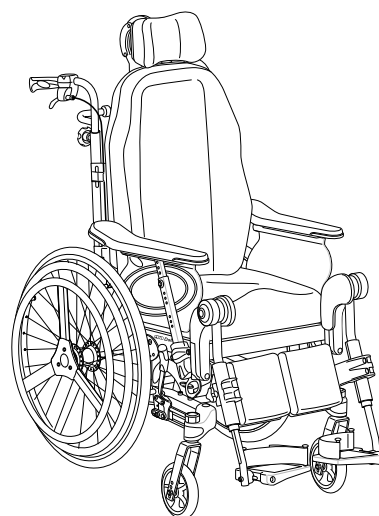



1. Attach the legrests by pushing the tube at the upper part of the legrests **A** down into the tubes on the wheelchair **B**.
2. Lock the legrests by turning them inwards.
3. Loosen the lever **C**, on the cushion's mounting, in order to adjust the cushion's angle and height.
4. Loosen screws **D** under the cushion, in order to adjust the cushion depth.
5. Re-tighten the lever and/or screws when the desired adjustments have been made.

## 3.10 One-arm drive


### 3.10.1 Using the One-arm Drive

The one arm drive enables you to move the wheelchair with one hand, which means that two handrims are installed on the same wheel.



 The drive wheel can be fitted on either the right or the left side.



 The handrims can either be placed in line with each other (internal position) or with the inner, smaller, handrim outside the larger handrim (external position). Make sure that the 3 screws **B** are locked into position.

 **CAUTION!**  
**Risk of injury**

– If necessary, it is recommended that the change of control side and position of the small handrim must be carried out by a qualified technician.

### 3.10.2 Removing the Rear Wheel with One-arm Drive

 **WARNING!**  
**Risk of injury**

– Always remove the telescopic rear wheel shaft **C** before removing the rear wheels.

 **WARNING!**  
**Risk of injury**

The wheels come off  
– Check that the rear wheel is securely locked in position! It should not be possible to remove the wheels when the removable axle button **A** is inactivated. Test this by trying to pull the wheel off.

 **CAUTION!**  
**Risk of injury**

Minor bruises, pain  
– Be careful not to get your fingers trapped between the rear wheel spokes and the three brackets of the outer handrim.

### Disengaging and Engaging the Rear Wheel Shaft

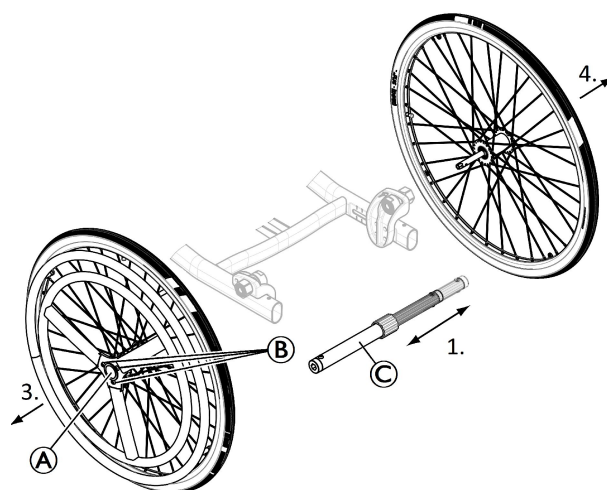
To fold the wheelchair it is necessary to disengage the telescopic rear wheel shaft **C**.

1. Disengage the telescopic shaft **C** by sliding one part inside the other.
2. To facilitate this operation move the small handrim forwards to backwards.
3. Reverse procedure to engage the telescopic rear wheel shaft.

 **CAUTION!**  
**Risk of accident**

– The telescopic rear wheel shaft **C** is an integral part of the wheelchair and the user will be unable to propel the wheelchair without it.

### Removing and Installing the Rear Wheel

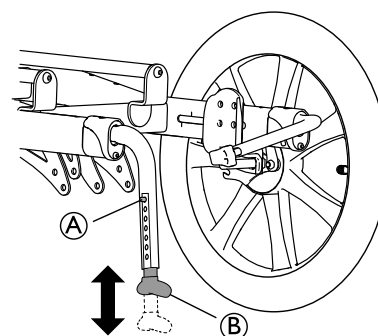


The removable and interchangeable rear wheels facilitate transport as well as change of the control side.

1. Remove the telescopic rear wheel shaft **C**.
2. Press the removable axle button **A**. Keep it pressed and pull the wheel outwards.
3. Remove the rear wheel.
4. Repeat procedure on the opposite side.
5. Reverse procedure to reinstall the rear wheels.


### 3.11 Anti-tip device


#### 3.11.1 Adjusting the Height of the Anti-tipper



1. For height adjustment of the anti-tipper, press the spring-loaded button **A**.
2. Adjust the anti-tipper **B** to the desired height.
3. Make sure that the spring-loaded button **A** pops out into place in its new position again after adjustment.

Invacare recommends that anti-tipper height adjustment is carried out by a qualified technician.

 The anti-tipper has seven possible height positions. Adjust the height from floor at the bottom of anti-tipper between 15 mm (Minimum) to 40 mm (Maximum).

 This adjustment is required with reference to the position and diameter of the rear wheel as well as the user conditions and his particular safety limits.



**WARNING!**

**Risk of tipping**

Insufficient support from the anti-tippers  
– Be careful when using the anti-tippers when propelling on soft areas such as lawns. The anti-tippers might sink into the ground.



**IMPORTANT!**

**Risk of damage**

– Never step on the anti-tipper or use it as a tipping aid.

1. For transport position, use your foot to press the lower part **B** of the anti-tip device **A** and fold it inwards.
2. Repeat the procedure on the opposite side.



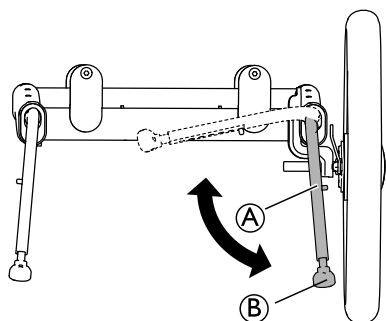
**WARNING!**

**Risk of tipping**

The wheelchair can tip backwards if the anti-tip devices are not activated.

– Do not forget to activate the anti-tip devices after transport.

### 3.11.2 Activating and deactivating the anti-tip device

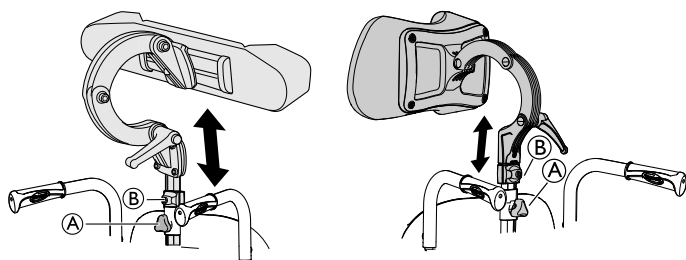




## 4 Options

### 4.1 Headrest/Neckrest

#### 4.1.1 Height adjustment

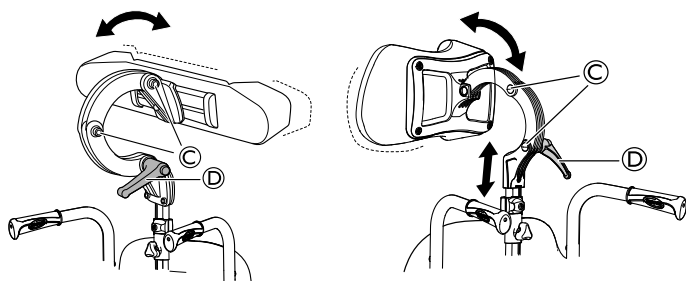


**i** The height and the removal are operated by the handwheel. The bar is equipped with an adjustable stop block.

1. Loosen the screw in the stop block (B).
2. Loosen the handwheel (A).
3. Adjust the head rest to the desired position.
4. Re-tighten the handwheel (A).
5. Slide the stop block (B) down to the top of the headrest attachment.
6. Re-tighten the screw.

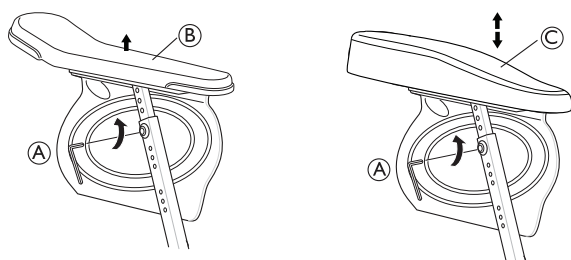
**i** It is now possible to remove the headrest and reinsert it in the desired position without further adjustments.

#### 4.1.2 Depth / angle adjustment



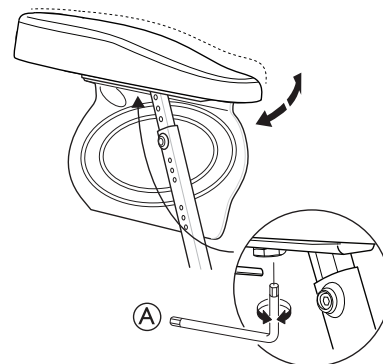
1. Loosen the handle (D).
2. Loosen the screws (C).
3. Adjust the depth and angle of the headrest.
4. Re-tighten the handle and the screws.

### 4.2 Hemiplegic armrest

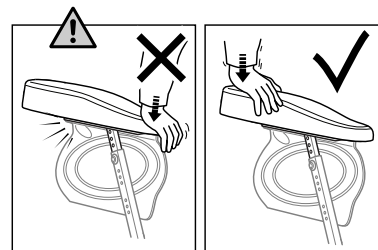


1. Loosen the screw (A).

2. Remove the original armrest (B).
3. Mount the hemiplegic armrest (C) in the armrest pole.
4. Re-tighten the screw (A).



5. The hemiplegic armrest can be adjusted in angle. The resistance can be increased/decreased by adjusting the screw (A).



#### **WARNING!**

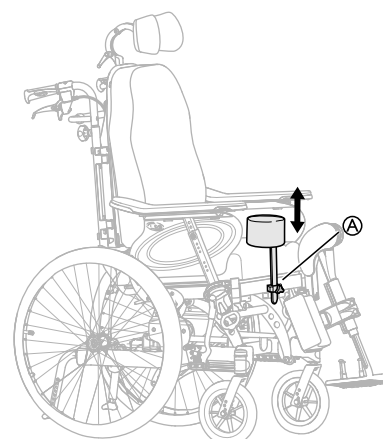
##### **Risk of damage**

Damage on the armrest

- Do not put pressure on the front of the armrest, as this could cause damage on the armrest attachment.

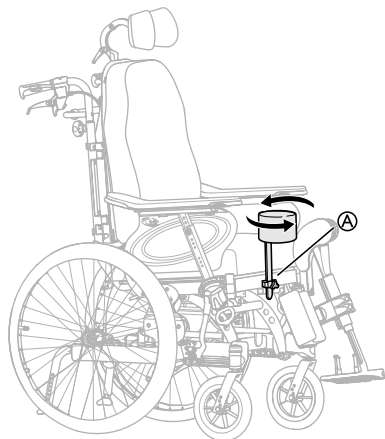
### 4.3 Abduction cushion

- 1.



The height adjustment and removal is operated by the handwheel (A).

- 2.



The depth is adjusted in a forward or backward position. Loosen handwheel (A) and turn.

#### 4.4 Trunk support with fixed arm

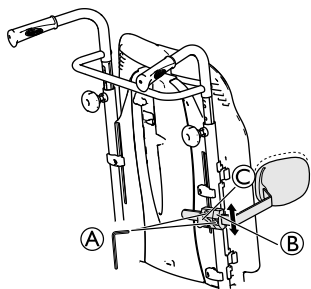
The trunk supports can be adjusted in height, depth and sideways.



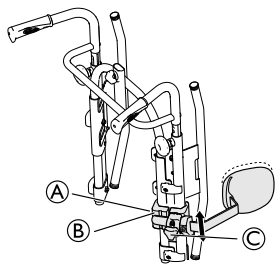
**WARNING!**

**Risk of trapping**

– Be careful not to trap your arm between trunk support and armrest when changing the angle of the backrest.



Backrest plate



Adjustable backrest



Tools: 5 mm Allen key

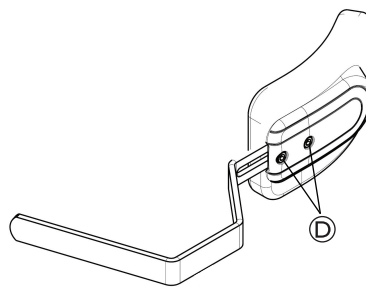
#### Height adjustment

1. You adjust the height by first loosening the screw / screws (A).
2. Move the attachment (B) upwards or downwards.
3. Re-tighten the screw / screws.

#### Sideways adjustment

1. Adjust the trunk supports sideways by loosening the knob (C).
2. Move the support sideways to the required position.
3. Re-tighten the knob (C).

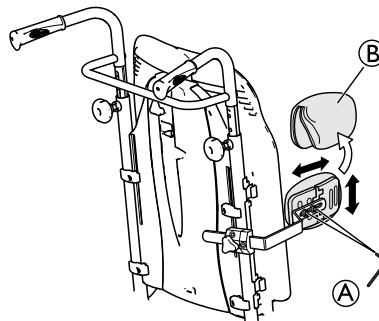
#### Depth adjustment — fixed cushion



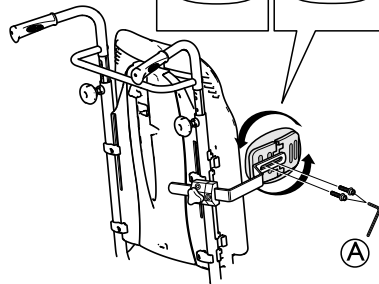
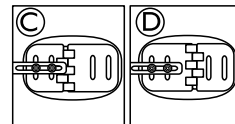
Tools: 5 mm Allen key

1. To adjust the depth of the trunk supports, loosen the screws (D) with an Allen key.
2. Move the trunk support forwards or backwards.
3. Re-tighten the screws.
4. Remove the trunk support by loosening knob (C) and pull the trunk support sideways and outwards.

#### Depth adjustment — multi adjustable cushion

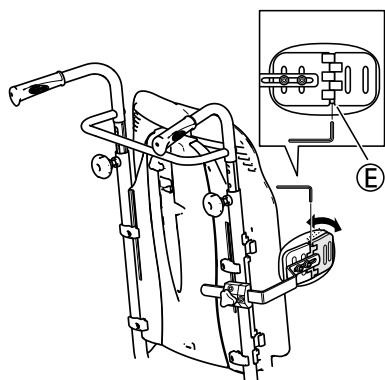


1. Remove the trunk support cover (B).
2. Loosen the screws (A) and adjust to the required height / depth.
3. Re-tighten the screws.



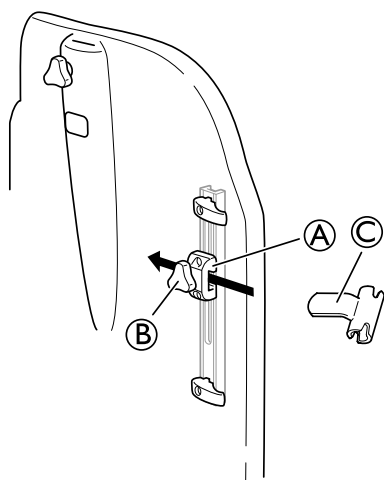
- (A) Screws height / depth adjustment
- (C) Attachment position for small side support / large trunk support
- (D) Attachment position for large side support / small trunk support

## Angle adjustment — multi adjustable cushion



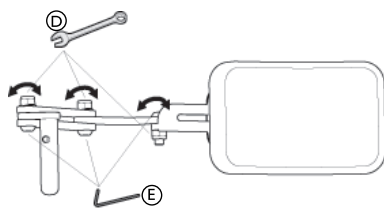
1. Loosen the screw ⑤.
2. Adjust the cushion to the required angle.
3. Re-tighten the screw.

## 4.5 Trunk support “swing-away”



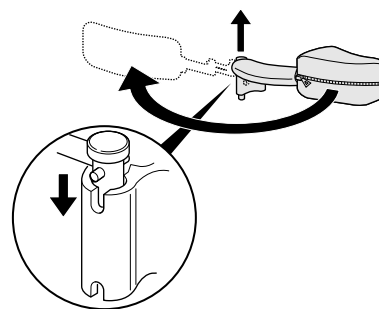
**i** The holder for the "swing-away" trunk support is placed in the attachment ① on the backrest

1. Loosen the knob ②.
2. Place the trunk support holder ③.
3. Re-tighten the knob.



**i** Tools: 5 mm Allen key / 13 mm fixed spanner.

1. The angle can be adjusted by loosening the screws ⑤ and bolts ④ on the trunk support arm.
2. Hold with the Allen key and tighten with the fixed spanner.
3. Remember to re-tighten the screws and bolts when the required position is achieved.



**i** The "swing-away" trunk support can be turned sideways in order to be out of the way when the user is moving in to or out of the wheelchair.



### CAUTION!

#### Risk of pinching

- The cover on the trunk support arm must always be on when the chair is in use.

## 4.6 Lateral positioning pads (for adjustable backrest cover only)



### WARNING!

#### Risk of trapping

- Be careful not to trap your trunk between the two lateral positioning pads during front or lateral transfers; when the user is moving in the wheelchair.



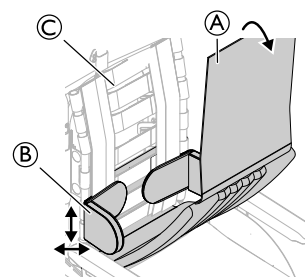
### CAUTION!

#### Risk of uncomfortable posture

- Insufficient space between the lateral positioning pads can be uncomfortable for certain users.
- This adjustment must be performed by a qualified technician upon agreement by a prescribing physician.
- Consult with your authorized provider.

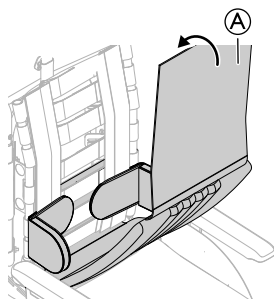
**i** The lateral positioning pads can be adjusted in height and sideways.

### 4.6.1 Using lateral positioning pads



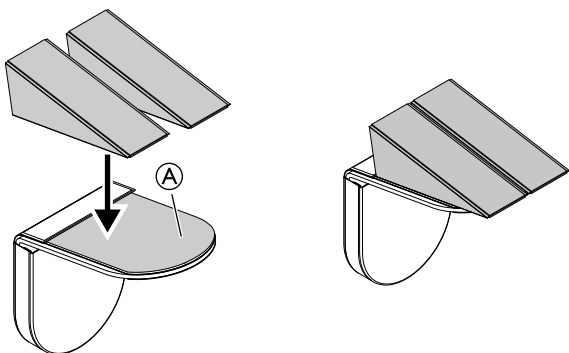
1. Remove the backrest cover ①.
2. Adjust the lateral positioning pads ② in height and sideways to the required position with the hook surface of the backrest cover ③.

3. Ensure that the two hook surfaces (pads and back cover) are set correctly.




4. Put the backrest cover (A) back in place.

#### 4.6.2 Using wedges with lateral positioning pad



1. Attach the wedges on the self-gripping pad (A).
2. Assemble the lateral positioning pads on the backrest.

 See section: "Using lateral positioning pads".

#### 4.7 Adjusting the drip stand



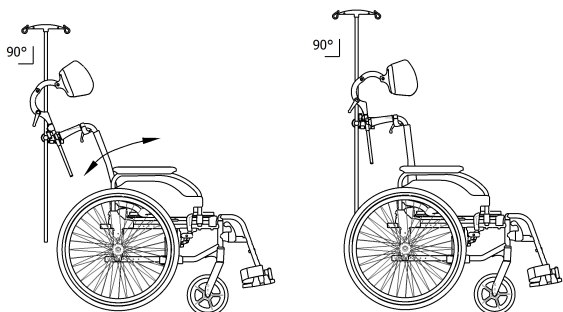
**WARNING!**

**Risk of tipping / injury**

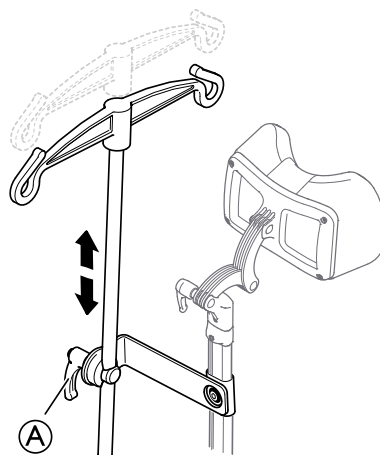
– Max. load on the drip stand: 4 kg (2 x 2 kg)



The rod of the drip stand must always be placed in a vertical position, i.e. in a 90 degree angle to the ground, no matter the position of the backrest or the wheelchair.

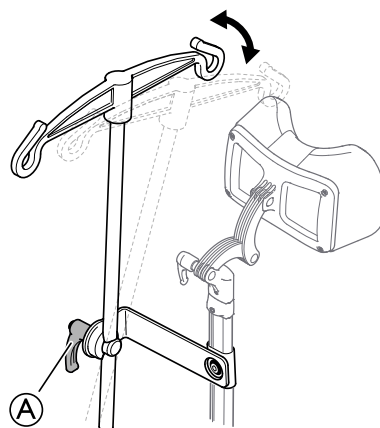


#### Height



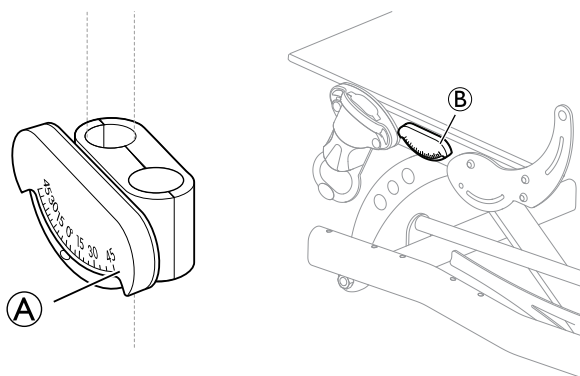
1. Loosen the lever (A).
2. Adjust the drip stand to the desired height.
3. Firmly tighten the lever (A).

#### Angle



1. Loosen the lever (A).
2. Adjust to the desired angle.
3. Firmly tighten the lever (A).

#### 4.8 Tilt scale



(A) = Tilt scale backrest

(B) = Tilt scale seat

The tilt scale option shows how many degrees the seat unit is tilted and/or how many degrees the backrest is reclined.

## 4.9 Table tray



### WARNING!

#### Risk of falling / injury

- The table must never be used as a replacement for the posture belt.



### WARNING!

#### Risk of tipping / injury

- Max load on the table: 8 kg



### CAUTION!

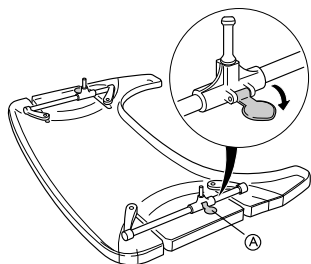
#### Risk of discomfort / minor bruises

- Make sure that the elbows of the user are placed on the table when pushing the wheelchair. If the elbows protrude from the table while pushing the wheelchair, there is a risk of discomfort or minor bruises.

The table tray can be adjusted both in depth and width, the following sections will show the different possibilities.

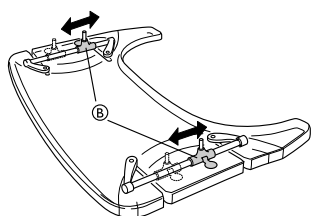
### 4.9.1 Adjusting the depth of the table tray

1.



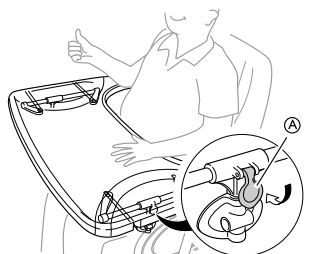
Open the safety lock for the depth adjustment (A).

2.



Adjust the table holders (B) forwards or backwards to adjust to the required depth.

3.



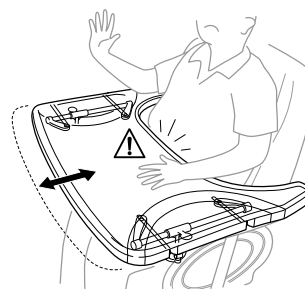
Close the table lock (A) again in order to lock the depth position.



### CAUTION!

#### Risk of discomfort / insecurity

- The table is not in a fixed position.
- Make sure to engage the table lock again after adjusting the depth of the table.



### CAUTION!

#### Risk of discomfort

- When adjusting the depth of the table, make sure not to squeeze the stomach of the user.

### 4.9.2 Locking the table tray

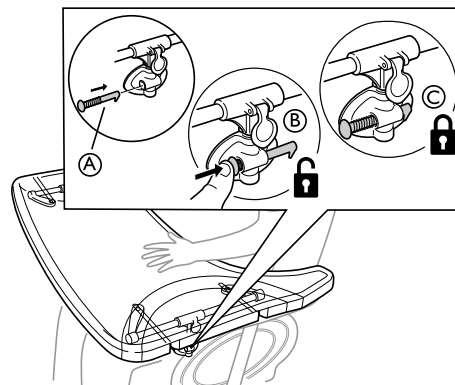


### WARNING!

#### Risk of injury

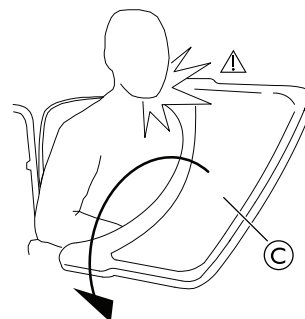
The user is locked in a fixed position and can not be removed from the wheelchair without unlocking the table.

- The use of locking device for table tray must be prescribed by authorized personnel.



1. Place the locking pin (A) in the table attachment.
2. Press the locking pin (A) inwards to unlock the table (B).  
 ⓘ Keep pressing the locking pin inwards in order to keep the table in an unlocked position .
3. Release the locking pin (A) to lock the position of the table (C).

### 4.9.3 Swing away table



### WARNING!

#### Risk of injury / bruises

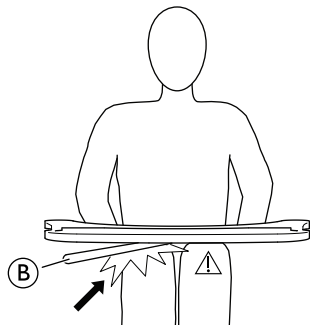
- Take care not to hit the user whilst swinging the table.



**WARNING!**

**Risk of table tipping forwards**

– Do not adjust the depth of the table too much forwards due to the risk of tipping the table when adding weight on it.

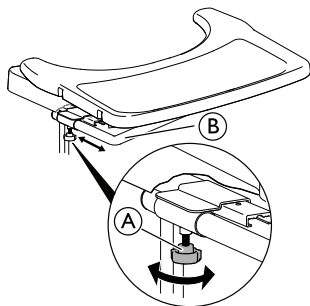


**CAUTION!**

**Risk of discomfort / minor bruises**

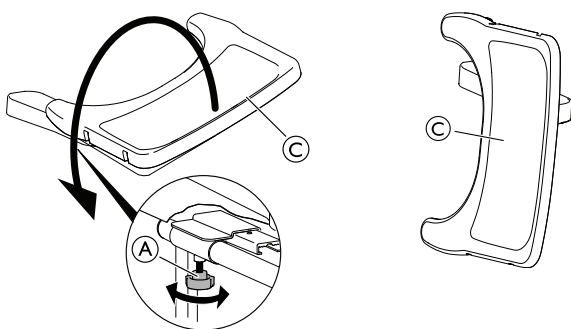
– Make sure that the user has enough space for the legs. The table tube must not rest on the legs of the user.

**Depth adjustment**



1. Loosen the handwheel (A).
2. Adjust the table in depth with the table tube (B).
3. Re-tighten the handwheel (A).

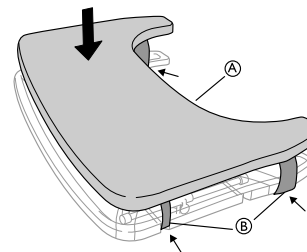
**Swing away function**



1. Loosen the handwheel (A).
2. Swing the table tray (C) sideways.
3. Re-tighten the handwheel (A).

**4.9.4 Add a table tray cushion**

A cushion for the table tray can be placed on the table tray in order to have a softer surface for the arms and elbows.

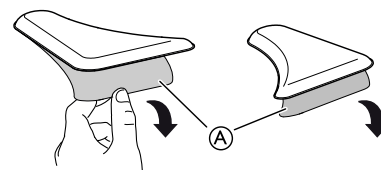


Place the cushion for the table tray (A) on the table and place the attachment straps (B) around the table.

**4.9.5 Add elbow cushions**

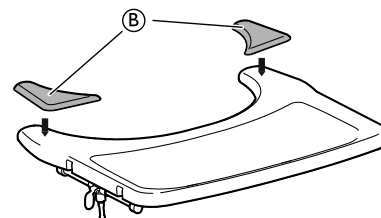
The table tray can be equipped with cushions for the elbows, in order to have a softer surface for the elbows.

1.



Remove the protection paper (A) from the elbow pads.

2.



Place the elbow pads (B) on the table.

**4.10 Half tray**



**WARNING!**

**Risk of falling / injury**

– The half tray must never be used as a replacement for the posture belt.



**WARNING!**

**Risk of tipping / injury**

– Max load on the tip of the widest part of the half tray: 1.5 kg



**CAUTION!**

**Risk of discomfort / minor bruises**

– Make sure that the elbow of the user is placed on the half tray when propelling the wheelchair. If the elbow protrudes from the wheelchair while propelling the wheelchair, there is a risk of discomfort or minor bruises.



**CAUTION!**

**Risk of pinching fingers**

There is a mechanism below the half tray where you could trap your fingers.

– Be careful when adjusting the tray or when using the swing-away function.




**CAUTION!**

**Risk of pinching or minor cuts**

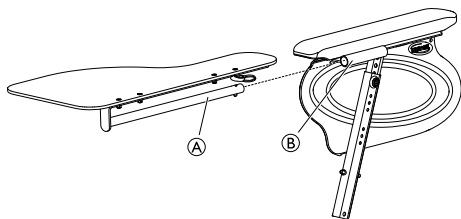
– Do not transfer from the wheelchair when the half tray is in horizontal position.



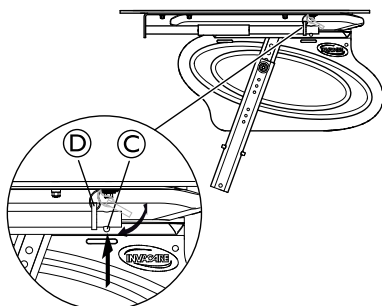
-  The half tray can be adjusted in width and swung away.

#### 4.10.1 Mounting the half tray

##### Mounting the half tray

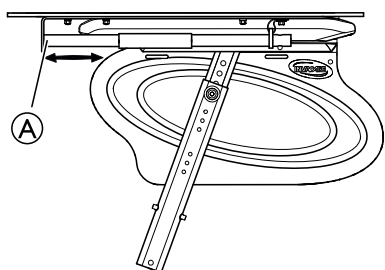


1. Insert the tube of the half tray (A) into the attachment (B) under the arm pad.



2. Push on the push pin (C) and insert the ring (D) on the tube (A).
3. Release the push pin (C).

#### 4.10.2 Adjusting the half tray



1. Slide the half tray (A) forwards or backwards to adjust to the required depth.

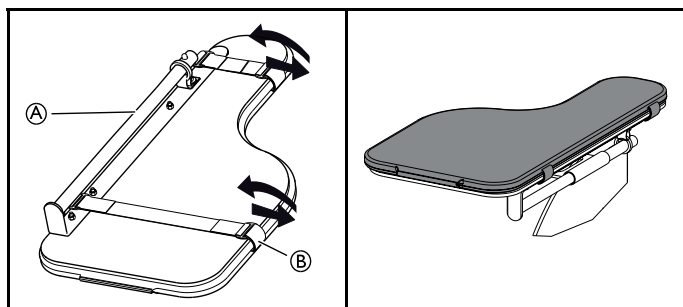


##### **CAUTION!** Risk of discomfort

- When adjusting the depth of the half tray, make sure not to squeeze the stomach of the user.

#### 4.10.3 Add a half tray cushion

A cushion for the half tray can be placed on the half tray in order to have a softer surface for the arms and elbows.

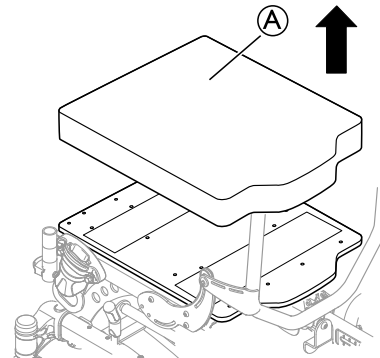


1. Place the cushion for the half tray (A) on the tray.
2. Place the attachment straps (B) into the plastic buckle and around the half tray (A).

#### 4.11 Seat height extension plate

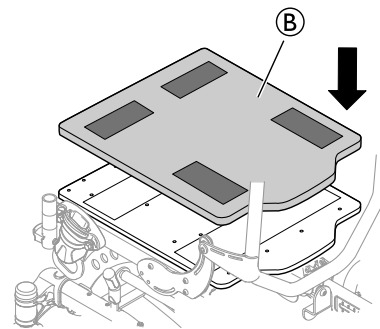
The seat height extension plate will add an extra 2 cm in height.

- 1.



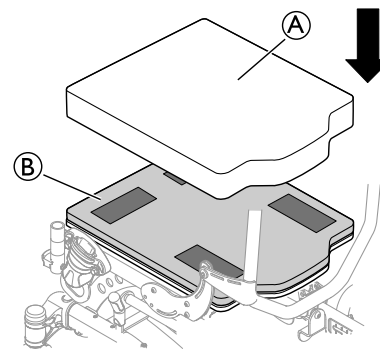
2. Remove the seat cushion (A).

- 2.



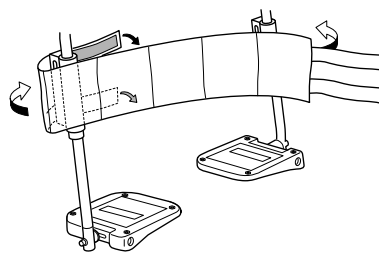
3. Place the height extension plate (B) on the seat plate.

- 3.





3. Put the seat cushion (A) back on the height extension plate (B).

#### 4.12 Calf strap padded



1. Mount the calf strap on the legrest.
2. Wrap the end parts around the legrest tube.
3. Fixate the self-gripping parts.

-  Both legrests must be in the same angle in order to be able to use the calf strap in the correct way.
-  The calf strap must not slacken too much in order to give the proper support for the user.

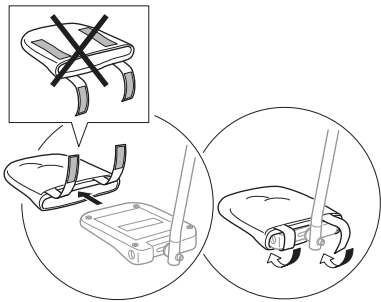
### 4.13 Cover for footrest / foot plate



**CAUTION!**  
**Risk of imbalance**

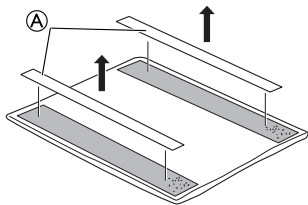
– The cover must be removed before the foot plate is fixed in a raised position.

#### 4.13.1 Attaching a cover to the single foot plate

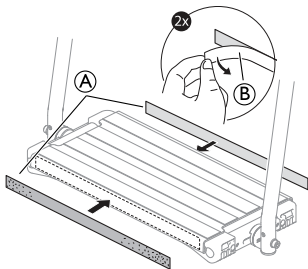


1. Thread the foot plate cover onto the foot plate.
2. Secure the hook strips to fasten the cover on the foot plate.

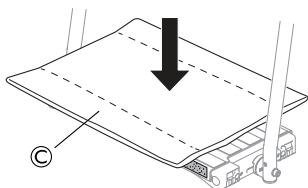
#### 4.13.2 Attaching a cover to the one-piece footrest



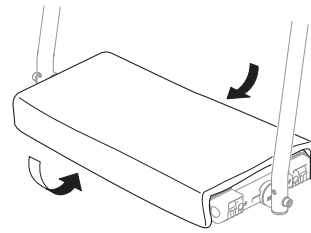
1. Detach the pre-glued hook tapes (A) from the cover.



2. Remove the safety paper (B) from the pre-glued hook tapes (A).
3. Attach the pre-glued parts of the hook tapes (A) on the front- and rear side of the footrest.



4. Place the cover (C) on the one piece footrest.



5. Secure the cover by attaching the loop parts on the cover to the pre-glued hook tapes on the front- and rear side of the footrest.

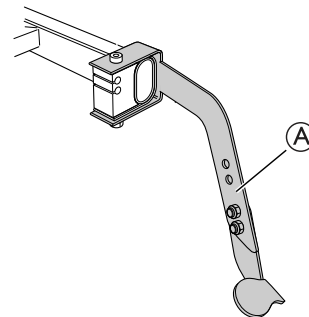
### 4.14 Privacy attachment



Attach the privacy attachment on the self-gripping surfaces, both on the seat and on the backrest (see picture).

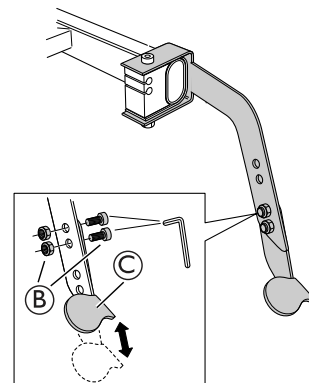
### 4.15 Kerb lever

-  This option is mandatory in some countries.



Use the kerb lever (A) as a help when tilting the wheelchair backwards.

1. Press the kerb lever downwards with your foot.
2. Tilt the wheelchair backwards in order to climb the kerb.





The kerb lever is height adjustable:

1. Loosen and remove the screws and nuts ⑥.
2. Adjust the lower part of the kerb lever ⑦ to the required height.
3. Re-tighten the screws and nuts ⑥.

## 4.16 Ventilator Tray



### WARNING! Pressure sores/pain

The distance between the backrest and the ventilator tray is too narrow when tilting the wheelchair

- When using the adjustable backrest in combination with carrying load in the ventilator tray, there is a risk of pressure sores when tilting the backrest. Be aware that the backrest is not tilted too much.



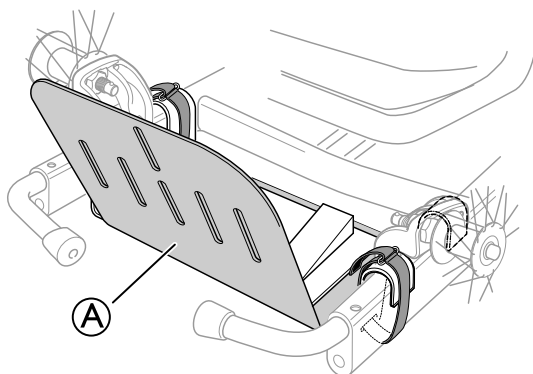
### CAUTION! Minor bruises

- Be aware that the ventilator tray is placed very far back. There is a risk for the assistant to hit the legs when propelling the wheelchair.




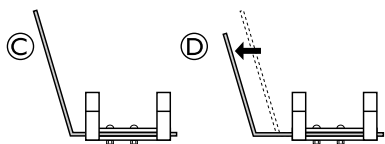
### CAUTION! Damaged equipment

- When tilting the backrest, be aware of the load in the ventilator tray. Make sure that the cables of the brake and tilt function are not squeezed.



The ventilator tray ① is a holder for various accessories such as ventilators, oxygen tanks, feeding units and so on. The ventilator tray can be adjusted 45 mm in depth and 120 mm in width in order to be adapted to various models.

 Max load: 10 kg



The main plate of the ventilator tray can be turned 180° in order to achieve a larger depth. In the standard position ③, the depth is smaller and the back of the tray is higher. In the second position ④, the depth is larger and the back of the tray is lower.

 By turning the main plate of the ventilator tray, the depth can be extended 70 mm.



Contact your authorized provider for more information.

## 4.17 Posture belt

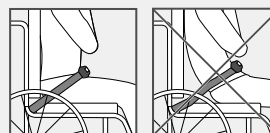
The wheelchair can be equipped with a posture belt. It prevents the user from sliding downward in the wheelchair or from falling out of the wheelchair. The posture belt is not a positioning device.



### WARNING! Risk of serious injury / strangulation

A loose belt can allow the user to slip down and create a risk of strangulation.

- The posture belt should be mounted by a qualified technician and fitted by the responsible prescriber.
- Always make sure that the posture belt is tightly fitted across the lower pelvis.
- Each time the posture belt is used, check if it fits properly. Changing the seat and/or backrest angle, the cushion and even your clothes influence the fit of the belt.

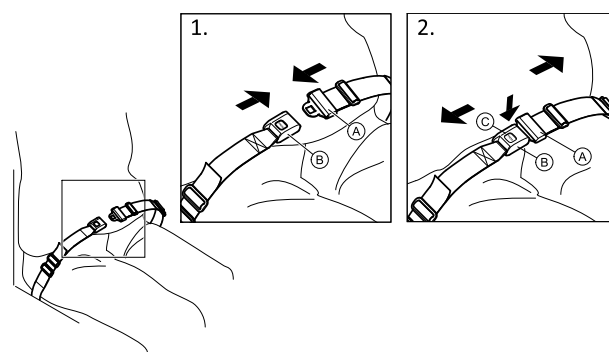


### WARNING! Risk of serious injury during transport

In a vehicle, a user in his wheelchair must be secured by a safety belt (3-point belt). A posture belt only is not sufficient as a personal restraint device.

- Use the posture belt as a complement, but not as a substitute to the 3-point safety belt, when transporting the wheelchair user in a vehicle.

## Closing and opening the posture belt



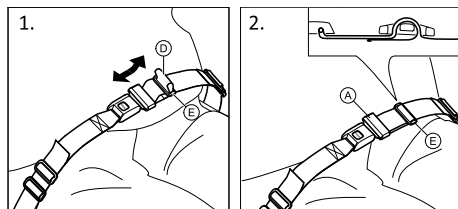
Ensure that you are sitting fully back in the seat and that the pelvis is as upright and symmetrical as possible.

1. To close, push the catch ① into the buckle clasp ②.
2. To open, push the PRESS button ③ and pull the catch ① out of the buckle clasp ②.

## Adjusting the length



The posture belt has the good length, when there's just sufficient space for a flat hand between body and belt.



1. Shorten or extend the loop D as required.
2. Thread loop D through catch A and plastic buckle E until the loop is flat.

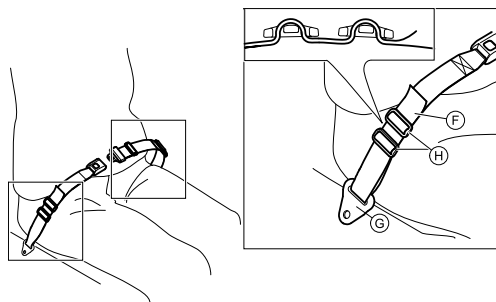
If this adjustment is not sufficient, it might be required to re-fit the posture belt at the fixations.

### Fitting the posture belt at the fixations



#### CAUTION!

- Thread the belt loop through both plastic buckles to avoid the belt from loosening.
- Do the adjustments on both sides equally, so that the buckle clasp remains in a central position.
- Make sure that the belts do not get caught in the spokes of a rear wheel.



1. Thread the loop F through the fixation on the chair G and then through BOTH plastic buckles H.

### 4.17.1 Assemble the Posture Belt for Positioning



Belts/harnesses which are CE-marked for the purpose of using on wheelchairs, can be mounted on the chair with preserved CE-marking. The belt/harness should be fitted by the responsible prescriber and be mounted by a qualified technician. However, when using the wheelchair as a seat in a motor vehicle, Invacare's original posture belt must be used in addition to, but never as a substitute for an approved passenger restraint system (3-point belt)!



The purpose of using the posture belt as a positioning help is to position the user and to give him / her a better posture.

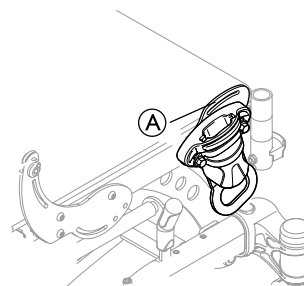


The posture belt should be placed in the front attachment bracket when used for positioning of the thighs/knees.



The posture belt should be placed in the lower slot on the backrest attachment bracket when used for positioning of the thighs.

### 4.17.2 Assemble posture belt to front attachment



When using the posture belt for positioning of the knees, the front attachment slot A can be used.

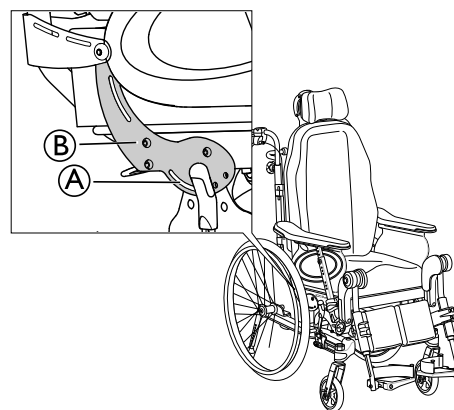


#### WARNING!

##### Risk of injury

- The attachment A must not be used for safety belts when transferring the user in a vehicle.

### 4.17.3 Assemble posture belt to rear attachment



When using the posture belt for positioning of the thighs, the attachment slot A on the backrest attachment B can be used.



#### WARNING!

##### Risk of injury

- The attachment slot A must not be used for safety belts when transferring the user in a vehicle.

### 4.18 Harness



#### WARNING!

##### Risk of choking

- When the wheelchair is tilted or reclined the harness can move and cause hazard to the user.
- Make sure that the harness is correctly positioned after each adjustment.



#### WARNING!

##### Safety risk


- The harness which is used with the harness attachment holder, should be fitted by an experienced clinician or a qualified technician.
- The harness must always be used in combination with the posture belt and should be worn on top of the posture belt.


**WARNING!**  
**Risk of sliding**

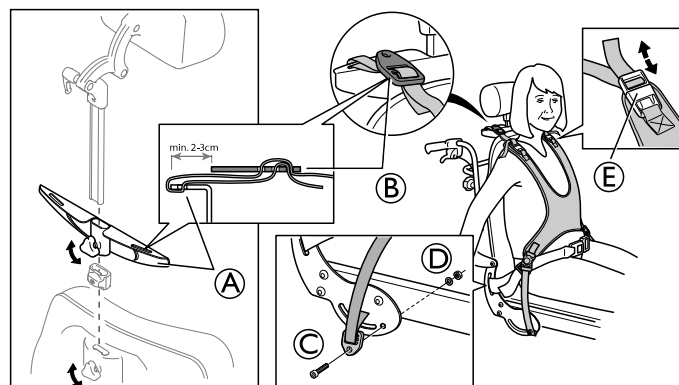
The user may accidentally slide down in the wheelchair.  
– Always use a harness in combination with a posture belt.

**WARNING!**  
**Safety risk**

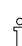
– The harness must not be used as a safety belt during transport in a vehicle.

 Make sure that the harness does not put too much pressure on any point.


 Belts/harnesses which are CE-marked for the purpose of using on wheelchairs, can be mounted on the chair with preserved CE-marking. The belt/harness should be fitted by the responsible prescriber and be mounted by a qualified technician. However, when transporting the wheelchair in a vehicle, Invacare's original posture belt must be used in addition to, but never as a substitute for an approved passenger restraint system (3-point belt)!


**4.18.1 Attaching the harness**

1. Loosen the handwheel and remove the neckrest.
2. Fasten the harness holder **A** onto the neckrest pole.
3. Re-tighten the handwheel.


 The harness is mounted on the holder for the harness **A**.

4. Thread the straps through the harness holder **A** and the harness clamp **B**.
5. Insert the screw **C** through the eyelet and into the hole in the frame.

 The strap mountings should be fastened from the outside of the frame as shown above.

 Tools: 5 mm Allen key

6. Secure with washer and nut **D**.

 The harness can also be adjusted with the straps by the shoulders **E**.

## 5 Setup

### 5.1 Safety information



**CAUTION!**

**Risk of injury**

- Before using the wheelchair, check its general condition and its main functions, 8 *Maintenance, page 44.*

Your authorized provider will supply your wheelchair ready for use. Your provider will explain the main functions and ensure that the wheelchair meets your needs and requirements.

Adjustments of the axle position and the castor supporters must be carried out by a qualified technician.

### 5.2 Delivery check

Any transport damage must be reported immediately to the transport company. Remember to keep the packaging until the transport company has checked the goods and a settlement has been reached.

### 5.3 Assembly general

When you receive your wheelchair, you either fit the backrest or, on some models, fold up the backrest. You also have to fit the armrests and legrests onto the chair. The assembly is simple and does not require any tools.

### 5.4 Installing the Backrest



Be careful not to pinch the cables when raising the backrest.



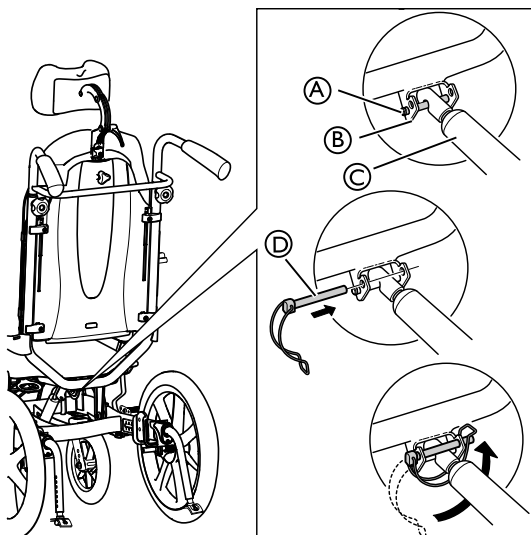
**WARNING!**

**Safety risk**

The wheelchair may collapse

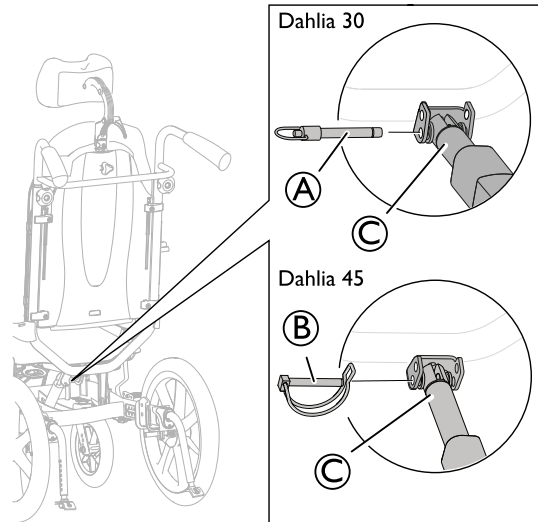
- Always reinsert and fasten the safety pin with the safety shackle ④ when it has been removed.
- Check that the lock shackle / loop is securely locked.

#### 5.4.1 Fitting the backrest — Gas piston



1. Raise the backrest to an upward position.
2. Attach the gas piston ③ to the attachment pin ①.
3. Insert the safety pin with the safety shackle ④ in the upper hole in the attachment ②.
4. Lock the safety shackle by folding in under the attachment ② and secure the loop on the other side.

#### 5.4.2 Fitting the safety shackle — Electrical piston



1. Raise the backrest to an upward position.
2. Attach the piston rod ③ to the attachment.
3. Insert the safety pin ① or ②, depending on model, in the lower hole of the attachment.
4. Lock the safety pin.



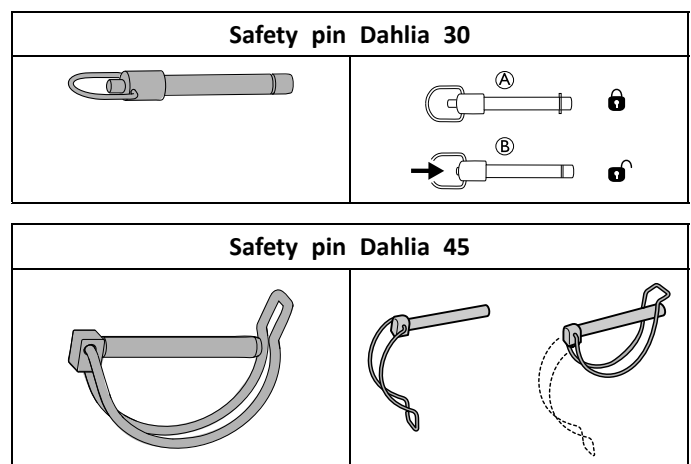
**WARNING!**

**Electrical version**

The backrest may come loose if the piston rod is accidentally detached from its housing.

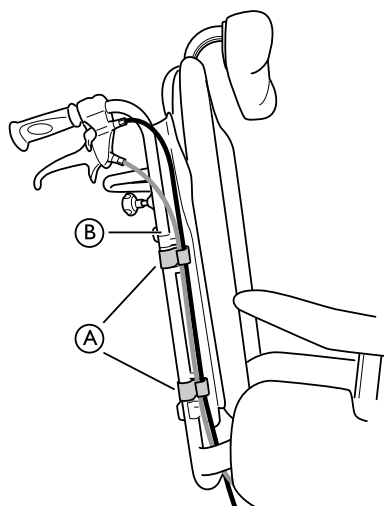
- Before attaching the piston to the backrest, turn the piston rod ③ maximum clockwise.
- When aligning the holes, only turn the piston rod ③ maximum a half turn counterclockwise.

#### Locking the safety pin / safety shackle




## 5.5 Placing the wires

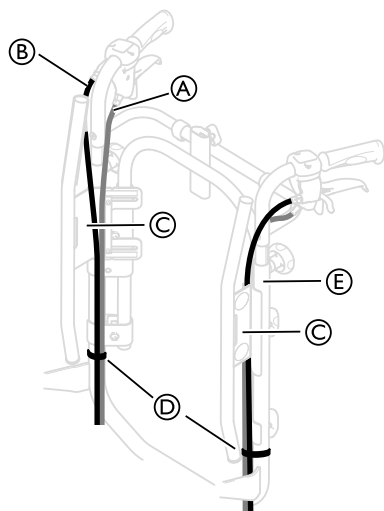
### 5.5.1 Wires with backrest plate



1. Thread the wires on the outside of the backrest tubes (B).
2. Place the wires in the holders/clips (A) in order to hold them in place.

 Fold the slack of the wires under the seat to get them out of the way.


### 5.5.2 Wires with tension adjustable backrest

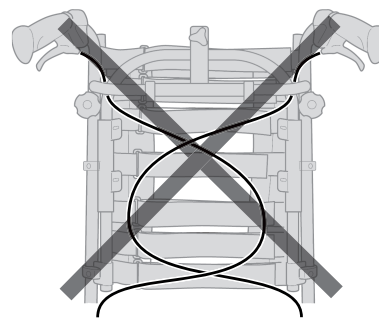


1. Place the wires (A) and (B) as shown on the picture above.

**!** **Risk of damage to the wires**  
– It is important that the cable for the assistant brake (A) is placed on the inside of the backrest tubes.

2. Place the wire for the backrest/seat recline (B) outside of the backrest tubes.
3. Place both of the wires on the inside of the backrest attachment (C).
4. Attach the wires to the backrest tubes (E) with the straps (D).

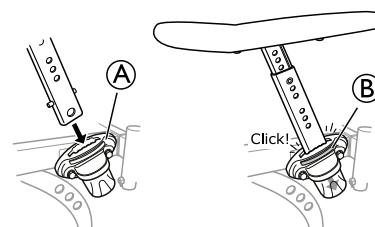
 Fold the slack of the wires under the seat to get them out of the way.




**!** **CAUTION!**  
**Risk of reduced brake effect**  
– The wires must not be crossed on the backrest!

## 5.6 Inserting the armrests

**!** **WARNING!**  
**Risk of pinching**  
– Be aware of the pinching risk due to the small distance between the armrest attachment and the rear wheel when tilting or propelling the wheelchair.



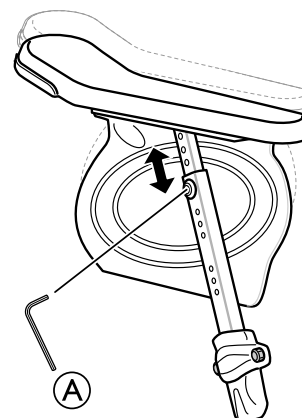
1. Place the armrest in the armrest attachment (A).
2. Press the armrests downwards until you can feel/hear that the armrests are securely in place.

 The armrests have an auto-lock to prevent involuntary movement or detachment.

3. Press the auto-lock button (B) to release before removing or adjusting the armrest.

**!** **Risk of damage to the product**  
– Make sure not to pinch or stretch the wire to the tilt function when removing the armrest if the wheelchair is equipped with user maneuvered tilt.

## 5.7 Adjusting the armrest height



1. Adjust the height of the armrests and / or side rests by turning the screw or the hand wheel (A) depending on which type of armrest you have chosen.
2. Set the required height.
3. Re-tighten the screw / hand wheel.



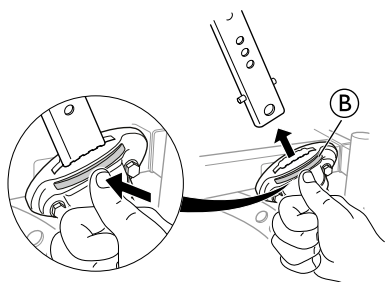
**CAUTION!**

**Risk of trapping fingers**

– Be careful not to trap your fingers between the armrest / side support pad and the armrest attachment when adjusting the armrest height.

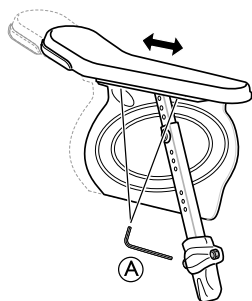


- Using low armrests, or adjusting the armrests in low heights, may cause conflicts with the rear wheels when tilting the chair.
- The longer armrest (330 mm), is only available with the “Ducktail” armrest pad.



The armrests have an auto-lock to prevent involuntary movement or detachment. Press the button (B) on the armrest to release before removing or adjusting the armrest.

## 5.8 Adjusting the armrest/side rest depth



1. Loosen the screw or the handwheel (A), depending on which type of armrest you have chosen
2. Set the pad and or the side rest in the required position.
3. Re-tighten the screw / handwheel.



**Risk of poor adjustment**

– There must not be any pressure on the armrest while adjusting the screw.

## 5.9 Installing and Removing the Detachable Front Castors (if so equipped)

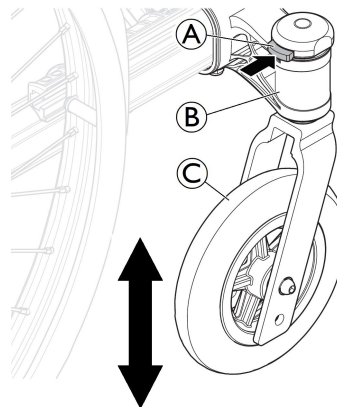


**WARNING!**

**Risk of overturning**

If the locking mechanism of a front castor is not fully engaged, the front castor can become loose during use. This can lead to overturning.

– Always ensure that the front castors are fully engaged whenever you install a front castor.



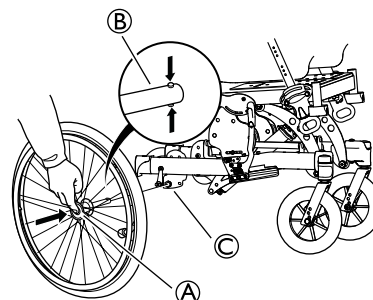
### Installing the front castors

1. With one hand, hold the wheelchair upright.
2. With the other, push the castor axle into the castor axle bracket (B) up to the stop.
3. Make sure there is an audible click and ensure that the front castor (C) is secure.

### Removing the front castors

1. With one hand, hold the wheelchair upright.
2. With the other, using your thumb, press the locking mechanism (A) in top of the castor axle bracket (B).
3. Keep it pressed and pull the front castor (C) out of the castor axle bracket (B).

## 5.10 Mounting the rear wheels



1. Press and hold in the quick-release button (A).
2. Place the rear wheel axle (B) in the rear wheel attachment (C).
3. Pull the wheels outwards to check that the wheel is securely locked in position.



**WARNING!**

**Risk of injury**

– Check that the rear wheel is securely locked in position! It should not be possible to remove the wheels when the quick-release button (A) is inactivated.

## 5.11 Angle adjustable leg rests

To install or remove the Swing away, Angle adjustable leg rest, refer to

→ 3.8.2 Swing Away, Angle Adjustable Leg Rests, page 16.

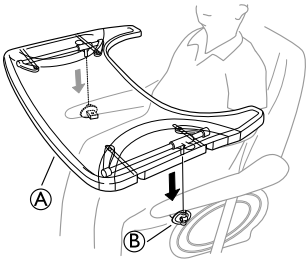
## 5.12 Fixed leg rests

To install or remove the Swing away, Fixed leg rest, refer to

→ 3.8.1 Swing away leg rests, page 16.

### 5.13 Mounting the table tray

Mount the table tray ① in the table tray attachments ②.



## 6 Using the wheelchair

### 6.1 General warnings — Usage



**WARNING!**

**Risk of tipping**

The user falls out of the wheelchair  
 – Be aware that the centre of gravity is shifted forwards when using the feet to maneuver the wheelchair. This changes the stability of the wheelchair.



**CAUTION!**

**Risk of sliding**

– The seat must be positioned flat or tilted backwards if the user is left alone unattended.



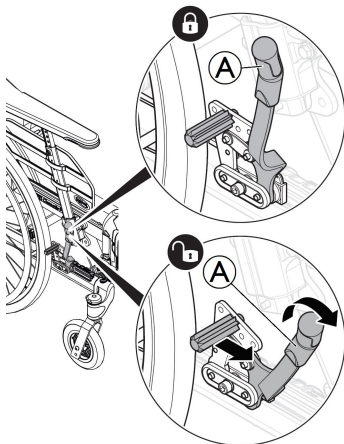
**CAUTION!**

**Risk of sliding**

– If you have a very low seat height and / or use your feet to maneuver the wheelchair, the legrests can be removed. If so, be aware of the sliding risk!

### 6.2 Brakes

#### 6.2.1 Using the User Operated Brake



Start by checking that the tyres have the correct air pressure (printed on the side of each tyre).



The user brake is to be used when the chair is not moving, and is not intended for reducing speed when the chair is moving.

1. To engage the brake, move the lever (A) towards the rear (towards you).
2. To disengage the brakes, move the lever (A) forwards.



**CAUTION!**

**Risk of trapping fingers**

– Be careful not to trap your fingers between the brake shoe and rear wheel

#### 6.2.2 Using the One Arm Brake

The wheelchair can be equipped with a one arm brake instead of the standard user operated brake. The one arm

brake is operated in the same way as the standard user operated brake, the difference is that the brake handle brakes both wheels at the same time. The one arm brake is available both for the right and the left side of the wheelchair .

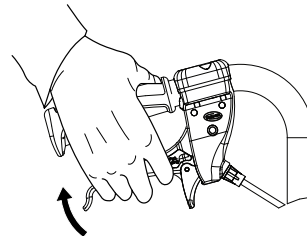
#### 6.2.3 Using the Carer-operated Brake



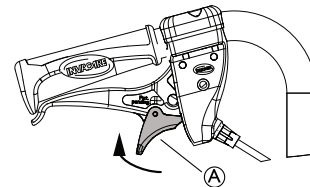
**WARNING!**

**Risk of reduced brake effect**

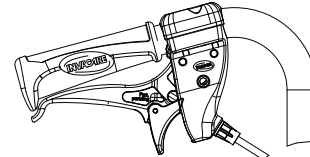
– Incorrect setting or use of the brake reduces the braking effect.



1. Braking when moving: squeeze both brake handles upwards, and the brake will be applied.



2. Locking the brakes: squeeze the handle and move the lock catch (A) upwards.
3. Release the handle.



4. Releasing the brakes: squeeze the handle and the lock catch will release automatically.

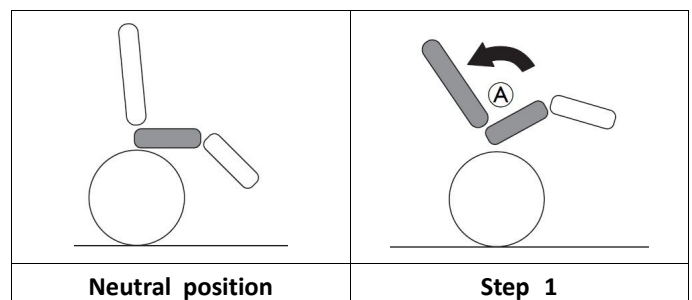


If the brake effect is poor or reduced, contact your authorized provider.

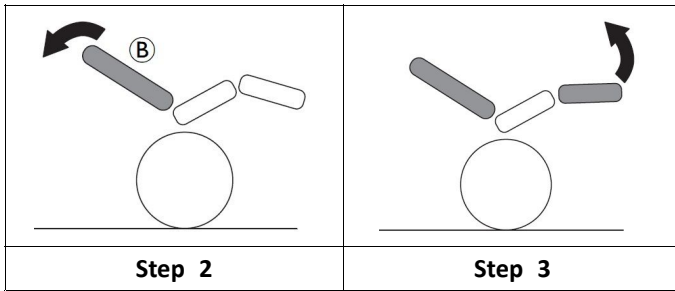
### 6.3 Using the Tilt / Recline Function

To ensure a good positioning, follow these steps when using both the tilt and the recline function. See sections “Manual tilt and backrest angle adjustment” and “Electric tilt and backrest angle adjustment” for instruction about how to operate the tilt and/or the recline function.

#### Tilting / reclining from an upright position







1. Tilt the chair.
  - This enables the user to slide to the rear and supports a neutral pelvis position (A).
2. Recline the backrest
  - The weight will now shift to the back and enable a good posture, as the bottom has slid into a rear position (B).
3. Angle the legrests.

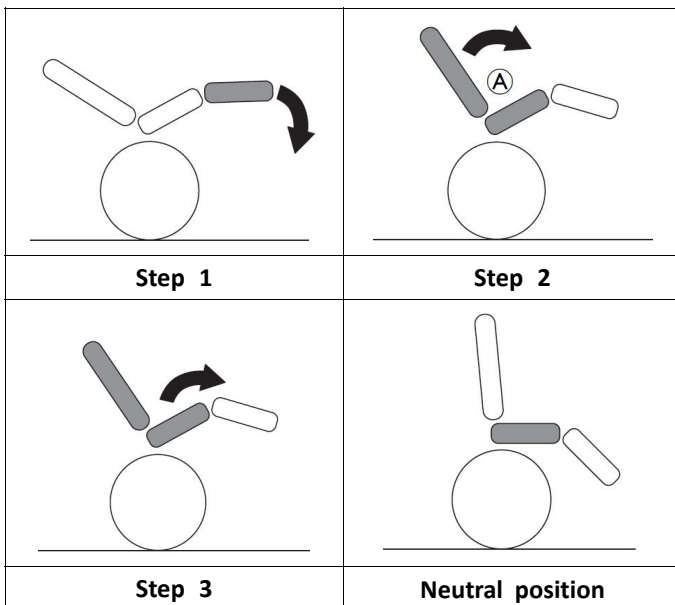


**CAUTION!**  
**Discomfort for the user**

The pelvis will be strained and the user can slide downwards in the chair.

- Ensure that the backside of the thighs (hamstrings) are in a relaxed neutral position when angling the leg rests.

### Rising from a tilted / reclined position



1. Fold down the leg rests.
2. Raise the backrest from the reclined position.
  - Raising the backrest before the tilt, preserves the neutral pelvis position (A).
3. Raise the tilted position.

## 6.4 Move to/from the wheelchair



**WARNING!**  
**Risk of overturning**

There is a high risk of overturning during the transfer.

- Only get in and out without assistance if you are physically able to do so.
- When transferring, position yourself as far back as possible in the seat. This will prevent damaged upholstery and the possibility of the wheelchair tipping forward.
- Make sure that both castors are facing straight to the front.



**WARNING!**  
**Risk of overturning**

The wheelchair could tip forwards if you stand on the footrest.

- Never stand on the footrest when getting in and out.



**CAUTION!**

If you disengage or damage the brakes the wheelchair could roll away out of control.

- Do not support yourself on the brakes when getting in and out.



**IMPORTANT!**

The mudguards and armrests could become damaged.

- Never sit on the mudguards or armrests when getting in and out.



1. Propel the wheelchair as near as possible to the seat that you want to move to.
2. Engage the parking brakes.
3. Remove the armrests or move them upwards out of the way.
4. Detach the leg rests or swing them outwards.
5. Place your feet on the ground.
6. Hold the wheelchair and, if necessary, also hold a fixed object in the vicinity.
7. Move slowly to chair.

## 6.5 Driving and steering the wheelchair

You drive and steer the wheelchair using the handrims.



**CAUTION!**

A heavy load hanging on the backrest can affect the wheelchair's centre of gravity.

- Change your driving style accordingly.

## 6.6 Negotiating steps and kerbs



### WARNING!

#### Risk of overturning

When negotiating steps you could lose your balance and tip the wheelchair over.

- Always approach steps and kerbs slowly and carefully.
- Do not go up or down steps that are higher than 15 cm.



### CAUTION!

An activated anti-tipper prevents the wheelchair from tipping backwards.

- Deactivate the anti-tipper before going up or down steps or kerbs.



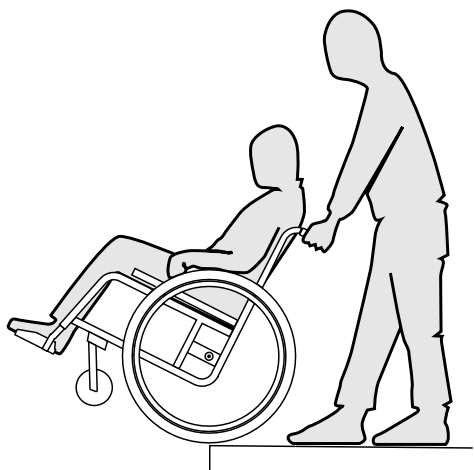
### WARNING!

#### Risk of injury to the assistant and damage to the wheelchair

Tilting the chair with a heavy user can hurt the assistant's back and damage the chair.

- Make sure to be able to safely control the wheelchair with a heavy user before performing a tilting maneuver.

### Going down a step with an assistant



1. Move the wheelchair right up to the kerb and hold the handrims.
2. The assistant should grasp both push handles, push downwards firmly and tilt the wheelchair backwards so that the front wheels lift off the ground.
3. The assistant should then hold the wheelchair in this position, push it carefully down the step and then tilt it forwards until the front wheels are back on the ground.

### Going up a step with an assistant



### WARNING!

#### Risk of serious injuries

Going up steps and kerbs frequently can result in earlier than expected fatigue break of the wheelchair backrest. The user might fall out of the wheelchair.

- Make sure to be able to safely control the wheelchair with a user before performing a tilting maneuver

1. Move the wheelchair backwards until the rear wheels touch the kerb.
2. The assistant should grasp both push handles, push downwards firmly and tilt the wheelchair backwards so that the front wheels lift off the ground, then pull the rear wheels over the kerb until the front wheels can be placed back on the ground.

## 6.7 Going up and down stairs

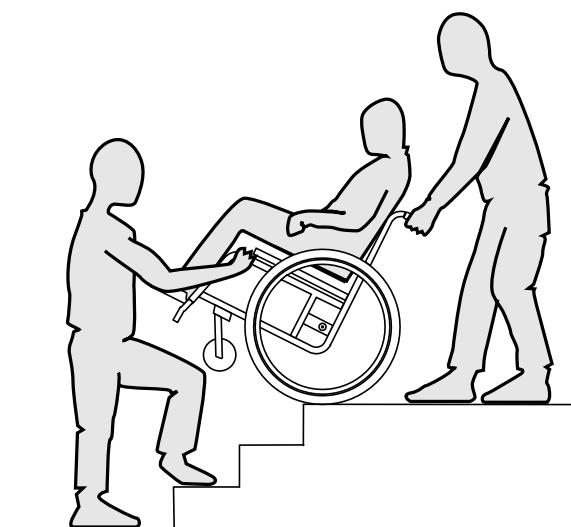


### WARNING!

#### Risk of overturning

When negotiating stairs you could lose your balance and overturn your wheelchair.

- Always use two assistants when negotiating stairs with more than one step.



1. You can go up and down stairs by taking them one step at a time, as described above. The first assistant should stand behind the wheelchair holding the push handles. The second assistant should hold a solid part of the front frame to steady the wheelchair from the front.

## 6.8 Negotiating Ramps and Slopes



### WARNING!

#### Risk due to wheelchair being out of control

When negotiating slopes or gradients your wheelchair could tip backwards, forwards or sideways.

- Always have an assistant behind the wheelchair when approaching long slopes.
- Avoid lateral slopes.
- Avoid slopes of more than 7°.
- Avoid jerking when changing direction on a slope.



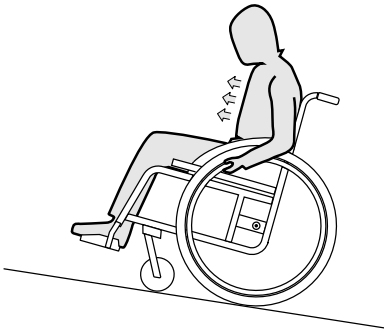
### CAUTION!

Your wheelchair could run away even on slightly sloping ground if you do not control it using the handrims.

- Use the parking brakes if your wheelchair is stationary on sloping ground.

### Going up slopes

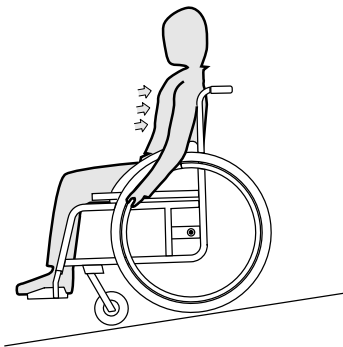
To go up a slope, you must create some momentum, keep up the momentum and control the direction at the same time.



1. Bend your upper body forwards and propel the wheelchair with quick, powerful strokes on both handrims.

### Going down slopes

When going down slopes, it is important to control your direction and particularly your speed.



1. Lean back and carefully allow the handrims to run through your hands. You should be able to stop the wheelchair at any time by gripping the handrims.



#### CAUTION!

##### Risk of burning your hands.

If you brake for a long time, a lot of frictional heat is produced at the handrims (especially anti slip handrims).

- Wear suitable gloves.

## 6.9 Stability and balance when seated

Some everyday activities and actions require you to lean forwards, sideways or backwards out of the wheelchair. This has a major effect on the wheelchair's stability. To keep your balance at all times, proceed as follows:

### Leaning forwards

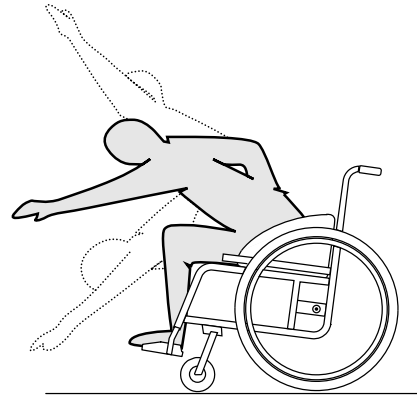


#### WARNING!

##### Risk of falling out

If you lean forwards out of the wheelchair you could fall out of it.

- Never bend too far forwards and do not shift forwards in your seat to reach an object.
- Do not bend forwards between your knees to pick up something off the floor.



1. Point the front wheels forwards. (To do this, move your wheelchair forwards slightly then back again.)
2. Apply both parking brakes.
3. When leaning forwards your upper body must remain over the front wheels.

### Reaching backwards

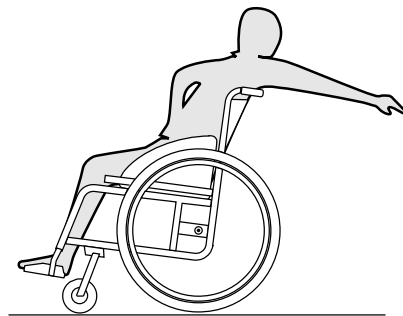


#### WARNING!

##### Risk of falling out

If you lean too far backwards you could tip your wheelchair over.

- Do not lean out over the backrest.
- Use an antitipper device.



1. Point the front wheels forwards. (To do this, move your wheelchair forwards slightly then back again.)
2. Do not apply the parking brakes.
3. When reaching backwards do not reach so far that you have to change your sitting position.

## 7 Transport

### 7.1 Safety information



#### WARNING!

**Risk of injury if the wheelchair is not properly secured**

In the event of an accident, braking manoeuvre, etc. you may suffer serious injuries from flying wheelchair parts.

- Always remove the rear wheels when transporting the wheelchair.
- Firmly secure all wheelchair components in the means of transport to prevent them from coming loose during the journey.

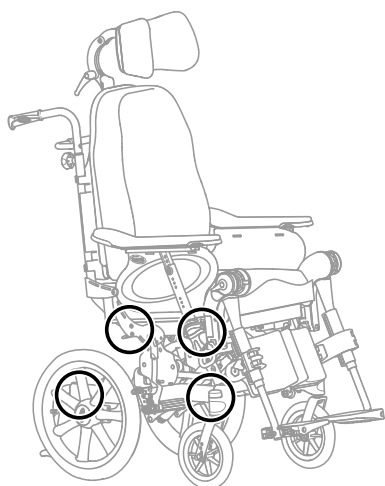


#### IMPORTANT!

Excessive wear and abrasion could affect the strength of load-bearing parts.

- Do not pull your wheelchair across abrasive surfaces without the wheels fitted (e.g. pulling the frame over tarmac).

### 7.2 Lifting the wheelchair

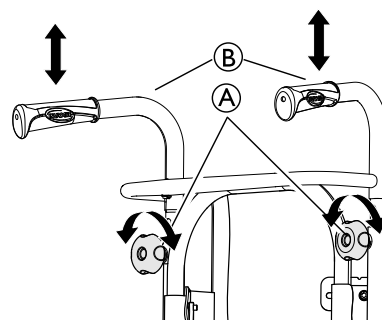


1. Always lift the wheelchair by grabbing the frame at the points shown in the picture.
2. Never lift the wheelchair by the removable armrests or the footrests.
3. Ensure that the backrest and push handles are securely in place.
4. Read the chapter Safety instructions/Propelling techniques.

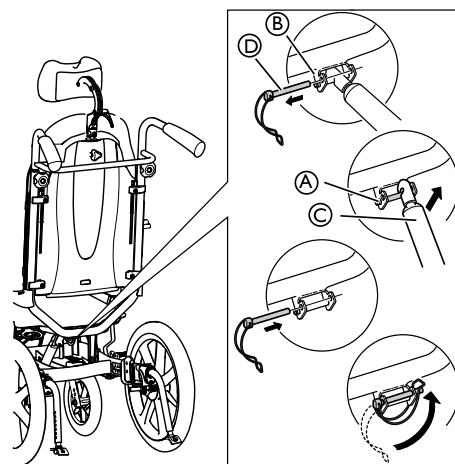
### 7.3 Disassembly for transport

The wheelchair is easy to prepare for transport.

#### 7.3.1 Backrest



1. Remove the backrest cushion.
2. Loosen the handwheels **A** and lower the push handles/push bar **B** to the lowest position.

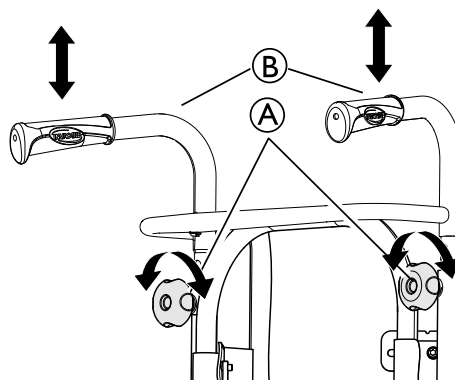


3. Carefully remove the safety shackle **D** from the attachment **B**.
4. Gently press the backrest forwards.
5. Lift the gas piston **C** upwards and release it from the pin **A**.
6. Fold the backrest and let it rest on the seat.
7. Put the safety shackle **D** back into the attachment **B** and lock it in place for transport.



Be careful with the cables when folding the backrest.

#### 7.3.2 Push handles/push bar



1. Loosen the two handwheels **A**.
2. The height of the push handles **B** can be adjusted simply by pulling the handles upwards or pushing them downwards.

### 7.3.3 Angle adjustable leg rests

To install or remove the Swing away, Angle adjustable leg rest, refer to  
→ 3.8.2 *Swing Away, Angle Adjustable Leg Rests, page 16.*

### 7.3.4 Fixed leg rests

To install or remove the Swing away, Fixed leg rest, refer to  
→ 3.8.1 *Swing away leg rests, page 16.*

## 7.4 Transporting the Mobility Device without Occupant



### CAUTION! Risk of injury

- If you are unable to fasten your mobility device securely in a transport vehicle, Invacare recommends that you do not transport it.

Your mobility device may be transported without restrictions, whether by road, rail or by air. Individual transport companies have, however, guidelines which can possibly restrict or forbid certain transport procedures. Please ask the transport company regarding each individual case.

- Invacare strongly recommends securing the mobility device to the floor of the transporting vehicle.

## 7.5 Transporting the Occupied Wheelchair in a Vehicle

Even when the wheelchair is properly secured and the following rules are met, injuries to passengers may occur in a collision or sudden stop. Therefore Invacare strongly recommends transferring the wheelchair user to the vehicle seat. Do not make alterations or substitutions to points of the wheelchair (structure, frame or parts) without the written consent of Invacare Corporation. The wheelchair has been successfully tested according to the requirements of ISO 7176–19 (Frontal impact).



### WARNING! Risk of serious injury or death

To use the wheelchair as a seat in a vehicle the backrest height minimum must be at least 500 mm.

To transport the wheelchair with user in a vehicle, a restraint system must be installed in the vehicle. Wheelchair tie-downs and occupant restraint systems must be approved according to ISO 10542-2. Contact your local Invacare authorised provider for more information on getting and installing an approved and compatible restraint system.



### WARNING!

If, for some reason, it is impossible to transfer the wheelchair user to a vehicle seat, the wheelchair can be used as a seat in a vehicle if the following procedures and regulations are followed. A transportation kit (optional) have to be fitted on the chair for such a purpose.

- The wheelchair must be secured in the vehicle with a 4-point wheelchair restraint system.
- The user must wear a 3-point passenger restraint system secured to the vehicle.
- The user must be additionally secured with a posture belt in the wheelchair.



### WARNING!

Safety restraint devices must only be used when the wheelchair user's weight is 22 kg or more (ISO-7176-19).

- Do not use the wheelchair as a seat in a vehicle when the user weight is lower than 22 kg.



### WARNING!

- Before journey contact transporter and request information about the capability for the below required equipment.
- Make sure there is sufficient free space around the wheelchair and user to avoid the user making contact with other vehicle occupants, unpadded parts of the vehicle, wheelchair options or anchor points of the restraint system.



### WARNING!

- Make sure the tie-down points at the wheelchair are not damaged and that the parking brakes are fully functional.
- It's recommended to use puncture-proof tyres during transport to avoid brake problems due to reduced tyre pressure.



### WARNING!

- Injury or damage may occur from wheelchair components or options loosened during a collision or sudden stop.
- Ensure all removable or detachable components and options are removed from the wheelchair and securely stored in the vehicle.
  - Disconnect the hand control (electrical version only) from its connection to the control box and securely stored in the vehicle.
  - It is essential to have your wheelchair checked by a qualified technician after an accident, collision etc.



### IMPORTANT!

- Refer to the user manuals supplied with the restraint systems.
- The following illustrations may differ depending on the restraint system supplier.



The choice of wheelchair configuration (seat width and depth, wheelbase) influences maneuverability and access to motor vehicles.

## Securing the wheelchair and its occupant

- **Backrest and Seat Angles:**



When transporting an occupied wheelchair in a vehicle, the recommended angles for backrest and seat are the following:

- Dahlia standard: 4° – 7° for the backrest and 4° for the seat.
- Dahlia 45 with 16" wheels: 12° for the backrest and 10° for the seat.

• **Ramps and Slopes:**



**WARNING!**

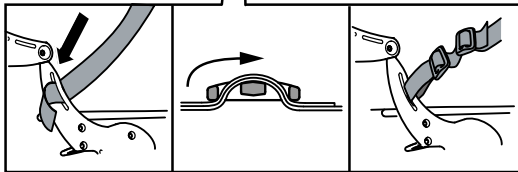
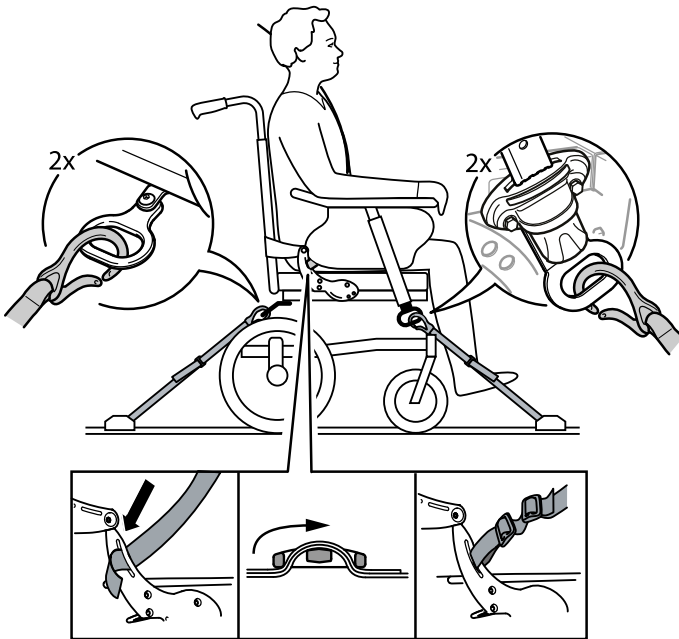
**Risk of injury**

The wheelchair can move forward / backward uncontrollably by mistake.  
 – Never leave the user unattended when transporting the wheelchair up or down ramps or slopes.



Therefore Invacare strongly recommends transferring the wheelchair user to the vehicle with the posture belt on.

• **Securing the Wheelchair with a 4-point Restraint System:**



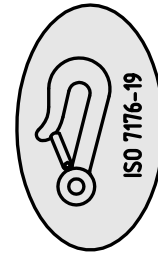
**WARNING!**

– Place the wheelchair with the user forward-facing in direction of vehicle travel.  
 – Engage the wheelchair parking brakes.  
 – Activate anti-tipper.

The wheelchair tie-down positions where the restraint system straps must be placed are marked with snap hook symbols (see following figures and section 2.4 *Labels and symbols on the product, page 8*).

1. Using the front and rear straps of the 4-point restraint system, secure the wheelchair to the vehicle mounted rails. Refer to the user manual supplied with 4-point restraint system.

**Front side tie-down positions for snap hooks:**



1. Attach the snap hooks to the front transportation rings as shown in the figure above (see location of the attachment labels).
2. Attach front straps to the rail system referring to best practice recommended instructions from the safety belt manufacturer.
3. Disengage parking brakes and apply tension front straps by pulling the wheelchair backwards from the rear.
4. Re-engage parking brakes.

**Rear side tie-down positions for snap hooks:**

1. Attach the snap hooks to the rear transportation rings as shown in the figure above (see location of the attachment labels).
2. Attach rear straps to the rail system referring to best practice recommended instructions from the safety belt manufacturer.
3. Tighten the straps.



**IMPORTANT!**

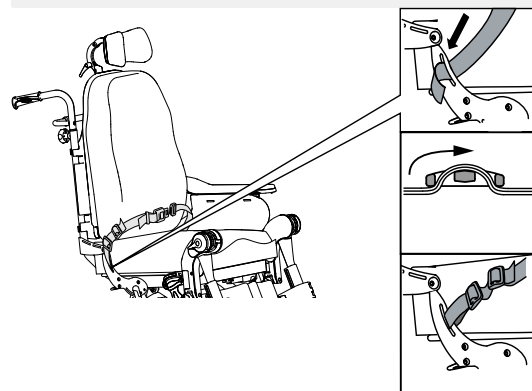
– Make sure that the snap hooks are covered with slip resistant material to avoid laterally slipping on the axle.

**Mounting the Posture Belt**



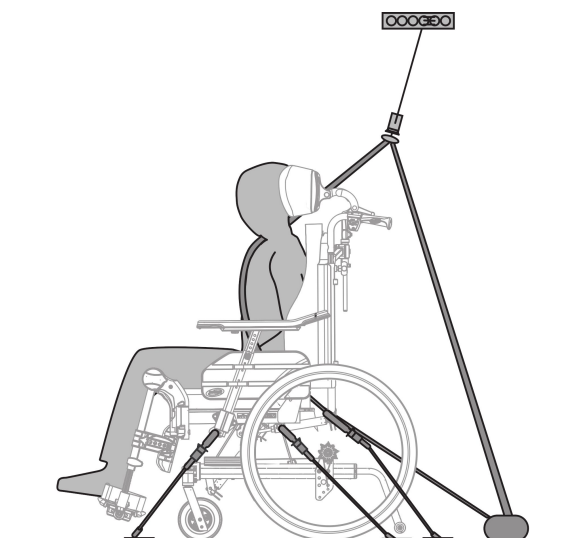
**WARNING!**

The posture belt must be used in addition to but never as a substitute for an approved passenger restraint system (3-point belt).



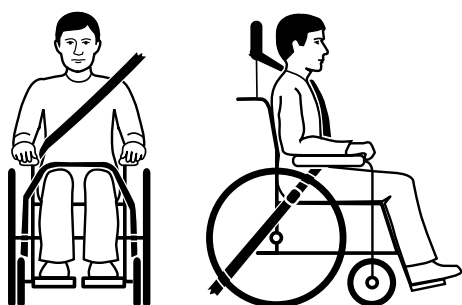
1. Adjust posture belt to fit the wheelchair occupant, see section 4.17 *Posture belt, page 29*.

### Fastening the 3-point Passenger Restraint System



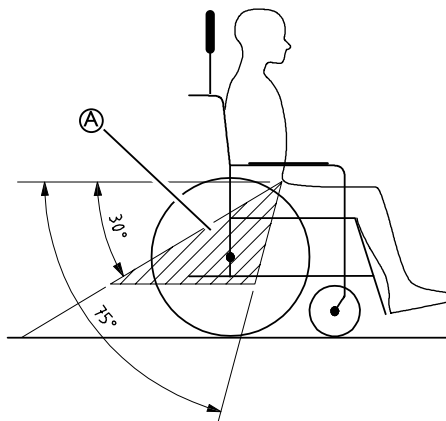
**!** **IMPORTANT!**  
The illustration above may differ depending on the wheelchair and the restraint system supplier.

- !** **WARNING!**
- Ensure the 3-point passenger restraint system fits as tightly across the user's body as possible without discomfort and no part is twisted.
  - Ensure the 3-point passenger restraint system is not held away from the user's body by parts of the wheelchair such as armrests or wheels etc.
  - Ensure the user restraint has a clear path from the user to the anchor point without interference by any part of the vehicle, wheelchair, seating or option.
  - Ensure the lap belt fits snugly over the occupant's pelvis and is not allowed to ride up into the abdominal area.
  - Ensure the user is able to reach the release mechanism unaided.



1. The vehicle's safety belt should fit as tightly across the user's body as possible without discomfort. The upper part of the safety belt should fit over the user's shoulder as illustrated. No part of the safety belt must be twisted.

**i** No part of the safety belt must be twisted.

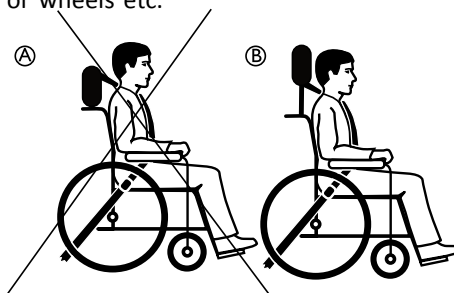


**!** **IMPORTANT!**  
Apply the pelvic belt restraint of the 3-point-belt restraint low across the pelvis so that the angle of the pelvic belt is within the preferred zone **A** of 30° to 75° to the horizontal. A steeper angle is preferred, but never exceeding 75°.



**i** Incorrect placement of safety belt

2. The 3-point safety belt must not be held away from the user's body by parts of the wheelchair such as armrests or wheels etc.



- A** Incorrect placement of the neckrest
- B** Correct placement of the neckrest

3. A neckrest should always be used during transport and it should be adjusted as shown in the picture.

## 8 Maintenance

### 8.1 Safety information



#### WARNING!

Some materials deteriorate naturally over time. This could result in damage to wheelchair components.

- Your wheelchair should be checked by a qualified technician at least once a year or if it has not been used for a long period.



#### Packaging for return

The wheelchair shall be sent to the authorized provider in an appropriate packaging to avoid damage during the shipment.

### 8.2 Daily performance check

Check that the following parts are correctly mounted on the wheelchair:

- Wheels
- Backrest
- Anti-tip device
- Push handles
- Footrests

### 8.3 Maintenance Schedule

To ensure safe and reliable operation, carry out the following visual checks and maintenance regularly or have it carried out by another person.

|  | weekly | monthly | annually |
|--|--------|---------|----------|
| Check the tyre pressure                                    | x      |         |          |
| Check that castors and/or rear wheels are seated correctly | x      |         |          |
| Check posture belt   | x      |         |          |
| Check the reclining and tilting mechanisms                 |        | x       |          |
| Check the castors  |        | x       |          |
| Check bolts  |        | x       |          |
| Check spokes   |        | x       |          |
| Check parking brakes                                       |        | x       |          |
| Have wheelchair checked by a qualified technician          |        |         | x        |

#### General visual check

1. Examine your wheelchair for loose parts, cracks or other defects.
2. If you find anything, stop using your wheelchair immediately and contact an authorized provider.

#### Check the tyre pressure

1. Check the tyre pressure, see section “Tyres” for more information.
2. Inflate the tyres to the required pressure.
3. Check the tyre tread at the same time.
4. If necessary, change the tyres.

#### Check that castors and/or rear wheels are seated correctly

1. Pull on the castor and/or rear wheel to check that the removable axle is seated correctly. The castor or wheel should not come off.
2. If the castors and /or rear wheels are not engaged properly, remove any dirt or deposits. If the problem persists, have the removable axles re-fitted by a qualified technician.

#### Check posture belt

1. Check that the posture belt is adjusted correctly.



#### IMPORTANT!

- Loose posture belts must be adjusted by an authorized provider.
- Damaged posture belts must be replaced by a qualified technician.

#### Check the reclining and tilting mechanisms

1. Check that the reclining and tilting mechanisms are easy operating.

#### Check the castors

1. Check that the castors turn freely.
2. Remove any dirt or hair from the castor bearings.
3. Faulty or worn out castors must be replaced by a qualified technician.

#### Check the bolts

Bolts can work loose through constant use.

1. Check that the bolts are tight (on the footrest, seat cover, sides, backrest, frame, seat module).
2. Tighten any loose bolts with the suitable torque. Therefore refer to the Service Manual, available on the internet at [www.invacare.eu.com](http://www.invacare.eu.com).



#### IMPORTANT!

- Self-locking screws/nuts or thread-locking adhesive are used for several connections. If these are loosened, they must be replaced by new self-locking screws/nuts or they must be secured using new thread-locking adhesive.
- Self-locking screws/nuts must be replaced by a qualified technician.

#### Check the spoke tension

The spokes should not be loose or distorted.

1. Loose spokes must be tightened by a qualified technician.
2. Broken spokes must be replaced by a qualified technician.



## Check the parking brakes

1. Check that the parking brakes are positioned correctly. The brake is set correctly if the brake shoe depresses the tyre by a few millimeters when the brake is engaged.
2. If you find that the setting is not correct, have the brakes correctly adjusted by a qualified technician.

**! IMPORTANT!**  
 • The parking brakes must be reset after replacing the rear wheels or changing their position.

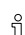
## Checking after a heavy collision or blow

**! IMPORTANT!**  
 • The wheelchair can sustain visibly undetectable damage as a result of a heavy collision or hard blow.  
 – It is essential to have your wheelchair checked by a qualified technician after a heavy collision or hard blow.

## Repairing or changing an inner tube

1. Remove the rear wheel and release any air from the inner tube.
2. Lift one tyre wall away from the rim using a bicycle tyre lever. Do not use sharp objects such as a screwdriver which could damage the inner tube.
3. Pull the inner tube out of the tyre.
4. Repair the inner tube using a bicycle repair kit or, if necessary, replace the tube.
5. Inflate the tube slightly until it becomes round.
6. Insert the valve into the valve hole on the rim and place the tube inside the tyre (the tube should lie right round the tyre with no creases).
7. Lift the tyre wall over the edge of the rim. Start close to the valve and use a bicycle tyre lever. When doing this, check all the way round to ensure that the inner tube is not trapped between the tyre and the rim.
8. Inflate the tyre to the maximum operating pressure. Check that no air is escaping from the tyre.

## Spare parts

 All spare parts may be obtained from an Invacare authorized provider.

## 8.4 Maintenance electrical version

**! CAUTION!**  
**Risk of damage to the product**  
 – Do not use chemicals.  
 – Handle batteries carefully.  
 – Do not use strong solvents, basic or alkaline liquids.  
 – Check that the actuators and system function properly.  
 – For an optimum lifetime, the product must be connected to the mains voltage as often as possible. It is recommended to load the battery at least every 3:rd month.  
 – Test the battery function at least once a year.

## 8.5 Cleaning and Disinfection

### 8.5.1 General Safety Information



**CAUTION!**  
**Risk of Contamination**  
 – Take precautions for yourself and use appropriate protective equipment.



**IMPORTANT!**  
 Wrong fluids or methods can harm or damage the product.  
 – All cleaning agents and disinfectants used must be effective, compatible with one another and must protect the materials they are used to clean.  
 – Never use corrosive fluids (alkalines, acid etc.) or abrasive cleaning agents. We recommend an ordinary household cleaning agent such as dishwashing liquid, if not specified otherwise in the cleaning instructions.  
 – Never use a solvent (cellulose thinner, acetone etc.) that changes the structure of the plastic or dissolves the attached labels.  
 – Always make sure that the product is completely dried before taking it into use again.



For cleaning and disinfection in clinical or long-term care environments, follow your in-house procedures.

### 8.5.2 Cleaning Intervals



**IMPORTANT!**  
 Regular cleaning and disinfection enhances smooth operation, increases the service life and prevents contamination.  
 Clean and disinfect the product  
 – regularly while it is in use,  
 – before and after any service procedure,  
 – when it has been in contact with any body fluids,  
 – before using it for a new user.

### 8.5.3 Cleaning



**IMPORTANT!**  
 Dirt, sand and seawater can damage the bearings and steel parts can rust if the surface is damaged.  
 – Only expose the wheelchair to sand and seawater for short periods and clean it after every trip to the beach.  
 – If the wheelchair is dirty, wipe off the dirt as soon as possible with a damp cloth and dry it carefully.


1. Remove any options fitted (only options which do not require tools).
2. Wipe down the individual parts using a cloth or soft brush, ordinary household cleaning agents (pH = 6 - 8) and warm water.
3. Rinse the parts with warm water.
4. Thoroughly dry the parts with a dry cloth.



Car polish and soft wax can be used on painted metal surfaces to remove abrasions and restore gloss.


## Cleaning upholstery

For cleaning upholstery refer to the instructions on the labels of the seat, cushion and backrest cover.


-  If possible, always overlap hook and loop strips (the self-gripping parts) when washing, to minimize lint and thread build-up on hook strips and prevent damage to upholstery fabric by these.

### 8.5.4 Washing

1. Remove all loose and removable covers and wash them in a washing machine according to the washing instructions for each cover.
2. Remove all padded parts such as seat cushions, armrests, headrest or neckrest with fixed padded parts, calf pads and so on and clean them separately.

-  The padded parts can not be cleaned with a high-pressure cleaner or water jet.

3. Spray the wheelchair chassis with detergent, for example a car-cleaning agent with wax, and leave on to work.
4. Rinse the wheelchair chassis with a high-pressure cleaning or ordinary jet of water depending on how dirty the wheelchair is. Do not aim the jet towards bearings and draining holes. If the wheelchair chassis is washed in a machine the water must not be hotter than 60° C.


-  Only use water and soft soap to clean the table.

5. Leave the wheelchair to dry in a drying cabinet. Remove parts where water has collected for example in end tubes, ferrules etc. If the wheelchair has been washed in a machine, blow-drying with compressed air is recommended.

### Multi stretch polyurethane (PU) coated fabric

Lighter stains on the fabric may be neutralized with a soft damp cloth and some neutral detergent. To neutralize larger, more persistent stains, wipe the fabric with alcohol or turpentine substitutes, and wash with hot water and a neutral detergent.

The fabric can be washed at temperatures up to 60° C. Normal detergents can be used.

-  All parts of the wheelchair with multi stretch polyurethane (PU) coated fabric upholstery, such as armrest pads, calf pads, headrest or neckrest, should be cleaned according to the instruction above.

### Electrical version

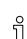


#### Important!

- The wheelchair with electrical backrest or tilt is protected according to IPX6. This means that the product can be washed with a brush and water. The water can be under pressure (garden hose or equivalent), but high pressure water must not be sprayed directly towards the electrical system.
- Max washing temperature 20° C.
- Do not use a steam cleaner.
- Before cleaning, make sure that the power plug is not connected.
- Interconnected cables must remain plugged in when cleaning the product.
- Retract the actuator to the innermost position when cleaning to avoid degreasing of the piston rod.

### 8.5.5 Disinfection

The wheelchair may be disinfected by spraying or wiping with tested, approved disinfectants.

-  Spray a soft cleaning and disinfecting product (bactericidal and fungicide meeting the EN1040 / EN1276 / EN1650 standards) and follow the instructions given by the manufacturer.

1. Wipe down all generally accessible surfaces with a soft cloth and ordinary household disinfectant.
2. Allow the product to air-dry.

## 9 After Use

### 9.1 Storage

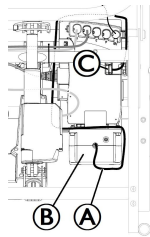
- !** **IMPORTANT!**  
Risk of damage to the product
- Do not store the product near heat sources.
  - Never store other items on top of the wheelchair.
  - Store the wheelchair indoors in a dry environment.
  - Refer to temperature limitation in chapter 11 *Technical Data*, page 50.

After long-term storage (more than four months) the wheelchair must be inspected in accordance to chapter 8 *Maintenance*, page 44.

#### 9.1.1 Storage Electrical Version

##### Short-term Storage

Do not remove the battery pack (B) under the seat plate, keep the battery cable (A) in place, disconnect the battery supply (C) from the control box.



##### Long-Term Storage

##### Storing Mobility Device and Battery

- Even not being used, batteries discharge themselves. Best practice is to disconnect the battery supply from the control box if storing the mobility device longer than two weeks. Disconnect the battery pack from the control box, see short-term storage below. If in doubt which cable to disconnect, contact your authorized provider.
- Battery should always be fully charged before storing
- If storing the mobility device longer than four weeks, check the battery once a month and recharge as needed (before gauge reads half full) to avoid damage.

##### Preparing Mobility Device for Use

- Even not being used, batteries discharge themselves. Best practice is to disconnect the battery supply from the control box if storing the mobility device longer than two weeks. Disconnect the battery pack from the control box, see short-term storage below. If in doubt which cable to disconnect, contact your authorized provider.

- Re-connect the battery supply to the control box.
- The battery pack must be charged before use.

### 9.2 Disposal

Be environmentally responsible and recycle this product through your recycling facility at its end of life.

Disassemble the product and its components, so the different materials can be separated and recycled individually.

The disposal and recycling of used products and packaging must comply with the laws and regulations for waste handling in each country. Contact your local waste management company for information.

#### 9.2.1 Disposal Electrical Version



**WARNING!**  
**Environmental Hazard**

Device contains batteries. This product may contain substances that could be harmful to the environment if disposed of in places (landfills) that are not appropriate according to legislation.

- DO NOT dispose of batteries in normal household waste.
- Batteries MUST be taken to a proper disposal site. The return is required by law and free of charge.
- Do only dispose discharged batteries.
- Cover terminals of lithium batteries prior to disposal.

### 9.3 Reconditioning

This product is suitable for reuse. To recondition the product for a new user, carry out the following actions:

- Inspection
- Cleaning and disinfection
- Adaptation to the new user

For detailed information, see 8 *Maintenance*, page 44 and the service manual for this product.

Make sure that the user manual is handed over with the product.

If any damage or malfunction is detected, do not reuse the product.

---

## 10 Troubleshooting

---

### 10.1 Safety information

Faults may arise as a result of daily use, adjustments or changing demands on the wheelchair. The table below shows how to identify and repair faults.

Some of the actions listed must be carried out by a qualified technician. These are indicated. We recommend that *all* adjustments are carried out by a qualified technician.



#### CAUTION!

- If you notice a fault with your wheelchair, e.g. a significant change in handling, stop using your wheelchair immediately and contact your provider.

## 10.2 Identifying and repairing faults


| Fault   | Possible cause                                    | Action   |
|---|---|--|
| The wheelchair does not travel in a straight line | Incorrect tyre pressure on one rear wheel         | Correct tyre pressure, → 11.4 Tyres, page 51                               |
|   | One or more spokes broken                         | Replace faulty spoke(s), → qualified technician                            |
|   | Spokes tightened unevenly                         | Tighten loose spokes, → qualified technician                               |
|   | Castor bearings are dirty or damaged              | Clean the bearings or replace the castor, → qualified technician           |
| The wheelchair tips backwards too easily          | Rear wheels are mounted too far forwards          | Mount the rear wheels further back, → qualified technician                 |
|   | Back angle too large                              | Reduce the backrest angle, → qualified technician                          |
|   | Seat angle too large                              | Mount the castor upper on the front fork, → qualified technician           |
| The brakes are gripping poorly or asymmetrically  | Incorrect tyre pressure in one or both rear tyres | Correct tyre pressure, → 11.4 Tyres, page 51                               |
|   | Brake setting incorrect                           | Correct the brake setting, → qualified technician                          |
| Rolling resistance is very high                   | Tyre pressure in rear tyres is too low            | Correct tyre pressure, → 11.4 Tyres, page 51                               |
|   | Rear wheels not parallel                          | Ensure the rear wheels are parallel, → qualified technician                |
| The castors wobble when moving fast               | Too little tension in castor bearing block        | Tighten the nut on the bearing block axle slightly, → qualified technician |
|   | Castor has worn smooth                            | Change castor, → qualified technician                                      |
| The castor is stiff or stuck                      | Bearings are dirty or faulty                      | Clean the bearings or replace the castor, → qualified technician           |

## 10.3 Identifying and Repairing Faults, Electrical Version

| Fault                                   | Possible cause   | Action  |
|---|--|---|
| Tilt or recline does not move           | End of stroke reached  | Operate opposite button   |
|   | Battery is not charged   | Charge the battery  |
|   | Hand control not connected   | Ensure hand control correctly connected to control unit.  |
|   | Hand control defective   | Call qualified technician to replace hand control   |
|   | Control unit defective   | Call qualified technician to replace control unit   |
|   | Cables entangled or pinched  | Call qualified technician to replace cables   |
|   | Hand control function is locked  | Call qualified technician to unlock the hand control function   |
| The hand control beeps when it is used. | Battery level is low   | Charge the battery  |
|   | The wheelchair has been used outdoors in cold temperatures (below $-10^{\circ}$ C) | Let the wheelchair get warmer. Restart the control box, see chapter "Charging the battery" for more instructions. |

## 11 Technical Data

### 11.1 General information

 For Rea Dahlia, 100 – 150 mm castor wheels are intended for indoor use only.


### 11.2 Dimensions and weights

All dimension and weight specifications refer to a wide range of the wheelchair in a standard configuration. Dimension and weight (based on ISO 7176–1/5/7) may alter according to different configurations.

- !** **IMPORTANT!**
- In some configurations, the overall dimensions of the wheelchair when it is ready for use exceeds the authorised limits and the access to emergency escape routes is not possible.
  - In some configurations, the wheelchair exceeds the size recommended for travelling by train in the EU.

|                                 | DAHLIA 30°  |              | DAHLIA 45°  |              |
|---------------------------------|---|--------------|---|--------------|
|                                 | 515 mm (20")/560mm (22")/600 mm (24")                 | 405 mm (16") | 515 mm (20")/560mm (22")/600 mm (24")                 | 405 mm (16") |
| Maximum user weight             | 135 kg  | 135 kg       | 135 kg  | 135 kg       |
| Overall length with legrests    | 1010–1140 mm  | 1010–1140 mm | 1010–1180 mm  | 1010–1160 mm |
| Overall width                   | 550–700 mm  | 550–700 mm   | 550–700 mm  | 550–700 mm   |
| Stowage width                   | from 570 mm   | from 560 mm  | from 580 mm   | from 555 mm  |
| Stowage height                  | from 600 mm   | from 700 mm  | from 570 mm   | from 710 mm  |
| Stowage length                  | 785 mm  | 890 mm       | 825 mm  | 940 mm       |
| Total mass                      | >35 kg *  | >35 kg *     | >35 kg *  | >35 kg *     |
| Mass of the heaviest part       | 21 kg   | 25 kg        | 21 kg   | 25 kg        |
| Static stability downhill       | 11° – 15°   | 11° – 15°    | 11° – 15°   | 11° – 15°    |
| Static stability uphill         | 3° – 15°  | 3° – 15°     | 3° – 15°  | 3° – 15°     |
| Static stability sideways       | 15° – 22°   | 15° – 22°    | 15° – 22°   | 15° – 22°    |
| Seat plane angle                | -1° – +30°  | -1° – +30°   | -1° – +45°  | -1° – +45°   |
| Effective seat depth            | 430–500 mm  | 430–500 mm   | 430–500 mm  | 430–500 mm   |
| Effective seat width            | 390–540 mm  | 390–540 mm   | 390–540 mm  | 390–540 mm   |
| Seat surface at front/rear edge | 20": 330–500 mm<br>22": 350–430 mm<br>24": 430–450 mm | 330–480 mm   | 20": 350–430 mm<br>22": 380–450 mm<br>24": 450–480 mm | 350–500 mm   |
| Backrest angle                  | 0° – +30°   | 0° – +30°    | 0° – +30°   | 0° – +30°    |
| Backrest height                 | 500–800 mm  | 500–800 mm   | 500–800 mm  | 500–800 mm   |
| Footrest-to-seat distance       | 362–627 mm  | 362–627 mm   | 362–627 mm  | 362–627 mm   |
| Leg-to-seat-surface angle       | 105° – 180°   | 105° – 180°  | 105° – 180°   | 105° – 180°  |
| Armrest to seat height          | 250–320 mm  | 250–320 mm   | 250–320 mm  | 250–320 mm   |

|                                     | DAHLIA 30°                            |                 | DAHLIA 45°                            |                 |
|-------------------------------------|---------------------------------------|-----------------|---------------------------------------|-----------------|
|                                     | 515 mm (20")/560mm (22")/600 mm (24") | 405 mm (16")    | 515 mm (20")/560mm (22")/600 mm (24") | 405 mm (16")    |
| Front location of armrest structure | 465–550 mm                            | 465–550 mm      | 465–550 mm                            | 465–550 mm      |
| Handrim diameter                    | 445–535 mm                            | N/A             | 445–535 mm                            | N/A             |
| Horizontal location of axle         | -5.7/-94.3 mm                         | -5.7/-94.3 mm   | -5.7/-94.3 mm                         | -5.7/-94.3 mm   |
| Minimum turning radius              | 755 mm                                | 755 mm          | 755 mm                                | 755 mm          |
| Overall length without legrest      | 830–960 mm                            | 830–960 mm      | 830–1000 mm                           | 830–980 mm      |
| Overall height                      | 825–1250 mm                           | 825–1250 mm     | 825–1250 mm                           | 825–1250 mm     |
| Pivot width                         | minimum 1280 mm                       | minimum 1280 mm | minimum 1280 mm                       | minimum 1280 mm |
| Maximum slope angle brake           | 7°                                    | 7°              | 7°                                    | 7°              |

 \* Overall weight in seat width 39 cm and with lightest configuration. With “Laguna 2” backrest plate and cushion. If fitted with electrical system, the weight increase is 4.2 kg.

|                     | 515 mm (20")                        | 560 mm (22")                | 600 mm (24")                | 405 mm (16")   |
|---------------------|-------------------------------------|-----------------------------|-----------------------------|----------------|
| Width of the wheels | 35 mm (1 3/8")                      | 25 mm (1") - 35 mm (1 3/8") | 25 mm (1") - 35 mm (1 3/8") | 45 mm (1 3/4") |
| Wheel inclination   | 0° +/- 1° (Wheelchair without load) |                             |                             |                |

### 11.3 Maximum Weight of Removable Parts


| Maximum weight of removable parts                          |                 |
|--|-----------------|
| Part:  | Maximum weight: |
| Leg rest angle adjustable with calf pad and footrest       | 3,2 kg          |
| Armrest  | 2,0 kg          |
| Rear wheel 600 mm (24") solid with handrim and spoke guard | 2,5 kg          |
| Headrest / Neckrest / Cheek support                        | 1,4 kg          |
| Trunk support  | 0,8 kg          |
| Backrest cushion   | 2,0 kg          |
| Seat cushion   | 1,9 kg          |
| Table tray   | 3,9 kg          |


### 11.4 Tyres


The ideal pressure depends on the tyre type:

The table below is an indication. In case the tyre differs from the list below, check the side of the tyre, the maximum pressure is listed there.

| Tyre  | Max. pressure |         |         |
|---|---------------|---------|---------|
|   |               |         |         |
| Pneumatic profiled tyre: 515 mm (20"); 560 mm (22"); 610 mm (24")               | 4.5 bar       | 450 kPa | 65 psi  |
| Pneumatic low profile tyre: 515 mm (20"); 560 mm (22"); 610 mm (24")            | 7.5 bar       | 750 kPa | 110 psi |
| Solid tyre: 405 mm (16"); 560 mm (22"); 610 mm (24")                            | -             | -       | -       |
| Solid tyre: 100 mm (4"); 125 mm (5"); 140 mm (5" 1/2); 150 mm (6"); 200 mm (8") | -             | -       | -       |
| Pneumatic tyre: 200 mm (8")   | 2.5 bar       | 250 kPa | 36 psi  |

 The compatibility of the tyres listed above depends on the configuration and/or model of your wheelchair.

 The size of the tyre is mentioned on the sidewall of the tyre. The change of appropriate tyres must be carried out by a qualified technician.


 In case of a tyre puncture consult a suitable workshop (e.g. bike repair shop, bicycle dealer ...) to have the tube replaced by a skilled person.


**CAUTION!**

- The tyres pressure have to be equal in both wheels to avoid a less driving comfort, to keep the brakes efficiency and an easy propelling of the wheelchair.

**11.5 Materials**


|   |  |
|---|--|
| Chassis, backrest tubes   | Steel, powder coated   |
| Plastic parts like push handles, brake handles, foot plates and parts of most options | Thermoplastic (e.g. PA, PE, PP, ABS and TPE) according to marking on the parts |
| Upholstery (seat and backrest)  | Foam PUR and polyether, polyurethane-coated fabric and plush                   |
| Table   | ABS  |
| Seat plate  | Coated Birch plywood   |
| Other metal parts   | Zinc alloys, aluminum alloys and steel   |
| Screws, washers and nuts  | Steel, corrosion free  |

 All materials used are protected against corrosion. We use only REACH compliant materials and components.

 Theft and metal detection systems: in seldom cases the materials used in the wheelchair may activate theft and metal detection systems.

**11.6 Environmental conditions**

|                      | Storage and transportation            | Operation      |
|----------------------|---------------------------------------|----------------|
| Temperature          | -20 °C to 40 °C                       | -5 °C to 40 °C |
| Relative humidity    | 20 % to 90 % at 30 °C, not condensing |                |
| Atmospheric pressure | 800 hPa to 1060 hPa                   |                |


 Be aware that when a wheelchair has been stored under low temperatures, it must be adjusted to operating conditions before use.

**11.7 Environmental Conditions Electrical Version**


|                      | Storage and transportation   | Operation     |
|----------------------|------------------------------|---------------|
| Temperature          | -10 °C to 50 °C              | 0 °C to 40 °C |
| Relative humidity    | 20 % to 90 %, not condensing |               |
| Atmospheric pressure | 860 hPa to 1060 hPa          |               |


**11.8 Electrical system — Models equipped with electric tilt and backrest**

|   |  |
|---|--|
| Voltage supply                          | U in 100–240 Voltage, AC, 50/60 Hz (AC = Alternating current), DC 24 V (DC = Direct current) |
| Maximum current input                   | I in max. 5 Ampere (battery = max 1,3 Ampere)  |
| Intermittent (periodic motor operation) | 10 % 2 min ON / 18 min OFF   |
| Protection class                        | CLASS II equipment   |





|   |   |
|---|---|
|  | Applied Part complying with the specified requirements for protection against electrical shock according to IEC60601-1.   |
| Degree of protection  | The control unit, external power supply, motors and hand controls are protected according to IPx6. See label and label on each electric device for correct IP class. The lowest IP-classification decides the overall classification of the system.<br><br><b>IPx6-</b> The system is protected against water projected from any direction (not high pressure). |

 For full details contact your Invacare authorized provider.

## 11.9 Electromagnetic compliance (EMC)

### General information

Products with electronic equipment needs to be installed and used according to the EMC information in this user manual.



**WARNING!**

**Portable and mobile communications equipment can affect the operation of this product.**

This product must not move unintentionally while being submitted to Electromagnetic interference

– If this should happen; the product must immediately be taken out of use and checked by a qualified technician.

This product has been tested and complies with the EMC limits specified by IEC 60601-1-2 for Class B equipment.



**This product has a very low emission and should not interfere with other equipment.**

**However, if other devices nearby should react inexplicably, run and stop this product and observe the devices.**

- If nothing happens with the other devices, then this product is not causing the error.
- If other devices are behaving in an inexplicable manner, then this product is causing the error. Solve the problem by moving or increasing the distance between them.





## Invacare distributors

### United Kingdom:

Invacare Limited  
Pencoed Technology Park, Pencoed  
Bridgend CF35 5AQ  
Tel: (44) (0) 1656 776 222  
Fax: (44) (0) 1656 776 220  
uk@invacare.com  
www.invacare.co.uk

### Ireland:

Invacare Ireland Ltd,  
Unit 5 Seatown Business Campus  
Seatown Road, Swords, County Dublin  
EirCode: K67 K271 — Ireland  
Tel : (353) 1 810 7084  
Fax: (353) 1 810 7085  
ordersireland@invacare.com  
www.invacare.ie

### Australia:

Invacare Australia Pty. Ltd.  
1 Lenton Place, North Rocks NSW 2151  
Australia  
Phone: 1800 460 460  
Fax: 1800 814 367  
orders@invacare.com.au  
www.invacare.com.au

### New Zealand:

Invacare New Zealand Ltd  
4 Westfield Place, Mt Wellington 1060  
New Zealand  
Phone: 0800 468 222  
Fax: 0800 807 788  
sales@invacare.co.nz  
www.invacare.co.nz

### Asia:

Invacare Asia Ltd.  
1 Lenton Place, North Rocks NSW 2151  
Australia  
Phone: (61) (02) 8839 5333  
Fax: (61) (02) 8839 5343  
asiasales@invacare.com  
www.invacare.com



Invacare France Operations SAS  
Route de St Roch  
F-37230 Fondettes  
France

