

Invacare® Ultra Low Maxx by Motion Concepts

Supplement to power wheelchair user manual

en **Modular Power Positioning System User Manual**



This manual **MUST** be given to the user of the product.
BEFORE using this product, this manual **MUST** be read and saved for
future reference.



Yes, you can.®

© 2021 Invacare Corporation

All rights reserved. Reproduction, duplication or modification in whole or in part is prohibited without prior written permission from Invacare. Trademarks are identified by ™ and ®. All trademarks are owned by or licensed to Invacare Corporation or its subsidiaries unless otherwise noted.

Contents

1 General	5
1.1 About This Manual	5
1.2 Symbols in This Manual	5
1.3 Warranty Information	5
2 Safety	6
2.1 Safety Information on Using the Seating System	6
3 Components	8
3.1 Power positioning functions	8
3.2 Safety Lockout and Limit Switches (DX System)	9
3.3 Drive and Seating Limitations (LiNX System)	12
4 Setup	15
4.1 General Setup Information	15
4.2 Adjustment Possibility for Remote	16
4.2.1 Adjusting Remote Height	16
4.2.2 Adjusting Remote Offset	17
4.2.3 Adjusting Remote Depth	18
4.3 Adjustment possibilities for Quad Link remote support	18
4.3.1 Adjusting remote height	18
4.3.2 Adjusting remote position	18
4.3.3 Adjusting Lock Tension	19
4.3.4 Swivelling Remote to Side	19
4.4 Adjustment Possibilities for Nucleus Midline Holder	20
4.4.1 Adjusting Depth of Midline Holder	20
4.4.2 Adjusting Height of Nucleus Midline Holder	20
4.4.3 Adjusting Joystick/Display Position on Nucleus Midline Holder	21
4.5 Adjusting Manual Chin Control	22
4.5.1 Adjusting Extremity Control Joystick	23
4.5.2 Adjusting Egg Switch	23
4.6 Adjusting Head Array	24
4.7 Adjusting Sip and Puff Head Array	24
4.8 Adjusting Swing-Away Mechanism	25
4.9 Adjusting Swing-Away Display Holder	26
4.10 Adjusting Seat Depth	28
4.11 Adjusting Angle of Preset Backrest	28
4.12 Adjusting cantilever flip-up armrest	28
4.13 Ultra Rail Mounted Flip Back Cantilever Maxx Armrest	30
4.14 Adjusting two post recline armrest	31
4.15 Adjust armpad with Multi Axis Upper Extremity Support (MACES)	31
4.16 Adjusting Elbow Block	32
4.17 Hip support with quick release	33
4.18 Lateral Trunk Support Adjustments	36
4.19 Adjusting the headrest	38
4.19.1 Installing headrest adapter for Elite and High Backs	39
4.19.2 Auto-style headrest set-up and installation	39
4.19.3 Adjusting Elan Headrest Hardware	40
4.19.4 Adjusting multi-axis headrest hardware	41
4.20 Pivot Plus legrests	42
4.20.1 Swing away Pivot Plus legrests	42
4.20.2 Removing Pivot Plus Legrests	43
4.20.3 Adjusting angle of Pivot Plus legrests	44
4.20.4 Adjusting Width- and Angle-Adjustable Footplate	44
4.21 Center-mounted legrests — manually adjustable	45
4.21.1 Removing the legrest	45
4.21.2 Setting the angle of the leg rest	46
4.21.3 Setting Length of Legrest	46
4.21.4 Setting Angle of Foot Plate	47
4.21.5 Setting Angle and Height of Calf Pad	47
4.22 LNX legrest	47
4.22.1 Setting the length of the legrest	47
4.22.2 Setting Angle of Foot Plate	48
4.22.3 Adjusting footplate width of center-mounted legrest	48
4.22.4 Setting Angle of Footboard	49

4.22.5	Setting Height and Width of Calf Pad	49	4.26.5	Adjusting the height of the calf pad	65
4.23	Vari-F footrest	50	4.26.6	Unlocking and swivelling the calf pad backward when alighting	65
4.23.1	Swivelling the footrest/legrest outward and/or removing	50	4.26.7	Adjusting the angle-adjustable foot plate	65
4.23.2	Setting the angle	50	4.26.8	Adjusting the angle- and depth-adjustable foot plate	66
4.23.3	Setting the end stop of the footrest	51	4.27	Imperial to metric conversion chart	66
4.23.4	Adjusting the length of the footrest	53	5 Usage		68
4.24	Vari-A legrests	53	5.1	Rotating/Removing Recline Armrest	68
4.24.1	Swivelling the footrest/legrest outward and/or removing	53	5.2	Rotating Cantilever Armrest	68
4.24.2	Setting the angle	53	5.3	Removing/inserting hip support with quick release.	70
4.24.3	Setting the end stop of the legrest	54	5.4	Using LNX powered center-mounted legrest with telescoping footboard	70
4.24.4	Adjusting the length of the legrest	57	5.5	Swivelling Remote to Side	71
4.24.5	Adjusting the depth of the calf pad	57	5.6	Swivelling Nucleus Midline Holder to Side	71
4.24.6	Adjusting the height of the calf pad	57	5.7	Swivelling Swing-Away Display Holder to Side.	71
4.24.7	Unlocking and swivelling the calf pad backward when alighting	58	6 Maintenance		72
4.24.8	Adjusting the angle-adjustable foot plate	58	6.1	Maintenance schedule	72
4.24.9	Adjusting the angle- and depth-adjustable foot plate	59	6.2	After Use	72
4.25	ADM legrests	59	6.2.1	Disposal	72
4.25.1	Swivelling the legrest outward and/or removing	59	6.2.2	Reconditioning	73
4.25.2	Setting the angle	59	7 Troubleshooting		74
4.25.3	Adjusting the length of the legrest	60	7.1	Performance Troubleshooting	74
4.25.4	Adjusting the depth of the calf pad	61	8 Technical Data		77
4.25.5	Adjusting the height of the calf pad	61	8.1	Technical Specifications	77
4.25.6	Unlocking and swivelling the calf pad backward when alighting	62			
4.25.7	Adjusting the angle-adjustable foot plate	62			
4.25.8	Adjusting the angle- and depth-adjustable foot plate	63			
4.26	Powered elevating legrests (ADE legrests).	63			
4.26.1	Swivelling the legrest outward and/or removing	63			
4.26.2	Setting the angle	63			
4.26.3	Adjusting the length of the legrest	64			
4.26.4	Adjusting the depth of the calf pad	64			

1 General

1.1 About This Manual

This document is a supplement to the power wheelchair's documentation.

The product itself does not bear a CE mark but is part of a product that complies with the Medical Device Regulation 2017/745, Class I concerning medical devices. It is therefore covered by the power wheelchair's CE marking. See the power wheelchair's documentation for more information.

Note that there may be sections in this document, which are not relevant to your product, since this document applies to all available models (on the date of printing). If not otherwise stated, each section in this document refers to all models of the product.

Invacare reserves the right to alter product specifications without further notice.

Before reading this document, make sure you have the latest version. You find the latest version as a PDF on the Invacare website.

For more information about the product, for example product safety notices and product recalls, contact your Invacare representative. See addresses at the end of this document.

1.2 Symbols in This Manual

Symbols and signal words are used in this manual and apply to hazards or unsafe practices which could result in personal

injury or property damage. See the information below for definitions of the signal words.



WARNING

Indicates a hazardous situation that could result in serious injury or death if it is not avoided.



CAUTION

Indicates a hazardous situation that could result in minor or slight injury if it is not avoided.



IMPORTANT

Indicates a hazardous situation that could result in damage to property if it is not avoided.



Tips

Gives useful tips, recommendations and information for efficient, trouble-free use.



Tools

Identifies required tools, components and items which are needed to carry out certain work.

1.3 Warranty Information

We provide a manufacturer's warranty for the product in accordance with our General Terms and Conditions of Business in the respective countries.

Warranty claims can only be made through the provider from whom the product was obtained.

2 Safety

2.1 Safety Information on Using the Seating System

Your seating system has been specially configured and assembled to the wheelchair base prior to delivery. Note that the final configuration and purchasing decision regarding the complete wheelchair system is the responsibility of the power wheelchair user, who is capable of making such a decision, and his/her healthcare professional. The contents of this manual are based on the expectation that a mobility device expert has fitted the power wheelchair to the user and has assisted the prescribing healthcare professional in the instruction and use of this device.

The user manual of the power wheelchair contains all relevant safety information about the use of the power wheelchair including the seating system. Be certain to read and follow these safety information.



WARNING!

Risk of Tipping

The power wheelchair may tip over when you change its stability characteristics by changing your seating position.

- Determine and establish your personal safety limits by practicing bending, reaching and transferring activities in the presence of a qualified healthcare professional before attempting active use of the wheelchair.
- Your seating system can be mounted onto the base in various forward and aft positions. Make certain that the position selected provides you with maximum stability over the full range of seating positions.
- Consider all personal gear and accessories (backpacks, vent systems, extra batteries, etc.) that will be carried on the wheelchair. For example, a loaded backpack, attached to the back of the seating system, can significantly reduce the rearward stability of your wheelchair.

**WARNING!****Risk of Tipping (Continued)**

- Consider the backrest being used. For example, a recessed back can shift your center of gravity backward and significantly reduce the rearward stability of the wheelchair. Conversely, a thick back cushion will shift you forward and reduce the wheelchairs forward stability.
- Always shift your weight in the direction you are turning. Shifting weight in the opposite direction of the turn may compromise stability of the wheelchair base, causing it to tip over.
- Consider the seat cushion being used. A thick seat cushion will raise your center of gravity and reduce the wheelchairs stability in all directions.
- All seating systems are equipped with drive lockouts. Make certain this is set so as not to compromise your stability while driving (refer to *3.2 Safety Lockout and Limit Switches (DX System)*, page 9).
- The wheelchair has a programmable controller which allows adjustment of the maximum acceleration and deceleration of the wheelchair. Make sure that these are set to an appropriate level for the system and for you, the user.

**WARNING!****Risk of Tipping (Continued)**

- When operating in reduced speed drive or anti-tipper lockout, always travel on a smooth level surface to ensure the wheelchair's stability is not compromised.
- Ensure all medical conditions are considered when setting up your wheelchair. Involuntary muscle movement such as spasms may affect the stability of the wheelchair, especially when the seating system is in a tilted or reclined position.
- When a system is fully tilted or reclined, the front wheels of the wheelchair should never come off the ground. If this occurs, please contact your authorized Invacare dealer immediately to resolve the issue.

3 Components

3.1 Power positioning functions

The seating system offers the following functions:

CG-TILT

The CG (center of gravity) tilt function compensates for weight shift by sliding the pivot axis and entire seat assembly forward as the seat tilts back. Typical tilt range is 0°- 45° (with lifter) or 0°- 50° (without lifter).

RECLINE

The recline function enables users to infinitely change the seat to back angle of their system within a set range. Typical recline angle range is 90°-168°.

ESR

ESR (extended shear reduction) is synchronized with recline to reduce the amount of shear between the client and the backrest. This is accomplished using a linkage that slides the backrest on the backposts as the back reclines.

PRECLINE

Available as an option with recline systems, precline adjusts the back angle of the seating system into a forward position, closing the seat to back angle to less than 90°. (Note: the maximum recline angle is decreased approximately by the number of degrees of precline).

SCISSOR LIFTER/ LIFTER MODULE

The scissor lifter module allows users to raise their power positioning system up to 300 mm above the lowest seat-to-floor height of their system. The scissor lifter is combined with a tilt function.

LEGRESTS

Our wide range of power and manual legrests are available in an array of sizes and styles including individual legrests and center-mounted foot platforms to help secure and position clients' legs. In addition, we offer a multitude of legrest hangers to accommodate your legrest choice. Power legrests may be programmed to operate in one of the two following configurations:

- Individual (legrests operate independently),
- Combined (legrests operate in unison)

3.2 Safety Lockout and Limit Switches (DX System)



DANGER!

Risk of Severe Injury or Death

The angle at which the limit switches/lockouts are set is critical to the safe operation of the seating system.

- Invacare will not be liable for any injuries or damage sustained when adjustments are made beyond the factory recommended settings.
- To ensure proper set-up, adjustments to safety lockouts and limits should only be performed by a qualified technician.
- Never exceed the maximum recommended limits. Safety lockouts and limit switches should be set up to best meet the needs of the user without compromising the overall stability of the wheelchair.
- Following any limit or lockout adjustments, always test the seating system over the full range of motion (i.e. tilt, recline, lifter) to verify the revised set-up is functioning properly and ensure that there are no resulting stability or interference issues.



Additional safety limits and lockout switches may be required for more complicated/specialized seating systems. For information on limits/lockouts that are not identified in this manual, please contact our Technical Service Department for assistance.

Tilt/Recline Drive Lockout (DLO) Limit

All tilt and recline seating systems are equipped with a drive lockout (DLO) limit to prevent the wheelchair from being driven when the seating system is tilted or reclined beyond a pre-determined safe total angle. The total angle can be any combination of seat angle, backrest angle and/or surface angle. Drive lockout only responds when you adjust angles in standstill.

The DLO limit is set to a maximum of 60° (TDX SP2)/50° (Storm⁴). On the Storm⁴, an additional switch activates the DLO if the tilt angle exceeds 25°.

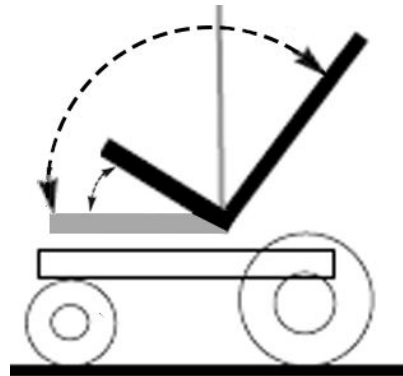


Fig. 3-1

(Angle measured from vertical)

Lifter Reduced Drive Speed (RDS) Limit

Seating systems that are configured with a scissor lift module are configured/programmed with a Reduced Drive

Speed limit. The limit utilizes microswitches to trigger the seating system into reduced speed drive as soon as:

- the seating system is raised to a pre-determined height beyond the home (fully retracted) position, or
- the seating system is tilted outside of a pre-determined angle range.

Tilt/Recline/Lifter

(T/R/L) systems:

RDS limit =

- max. 100 mm (TDX SP2)
- 10 mm (Storm⁴)
- 130° – 90°

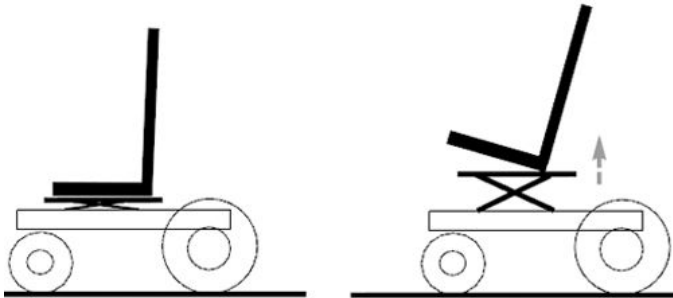


Fig. 3-2 Home position (left), Lifter RDS limit (right)

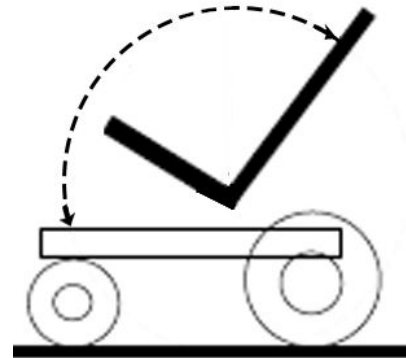


Fig. 3-3 Tilt RDS limit

Max. Back Angle Limit

The maximum tilt limit establishes the maximum back angle for the seating system at tilt/recline combined. The function of this limit is to prevent the back angle from extending beyond a maximum pre-set angle. Ultra Low Maxx seating systems are typically preset at the factory to the maximum allowable angle and do not require any further adjustment unless the maximum angle needs to be decreased (see hazard statement below).

Tilt/Recline: Max. Tilt/Recline Limit = 168°



Risk of Damage to Wheelchair

– When establishing the maximum back limit, always consider the size and location of any personal gear that may be carried on the wheelchair, as it could cause interference between the backrest and the wheelchair base when fully tilted/reclined, and damage the actuator and/or wheelchair.

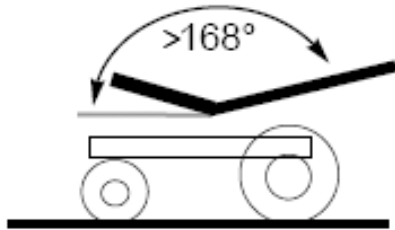
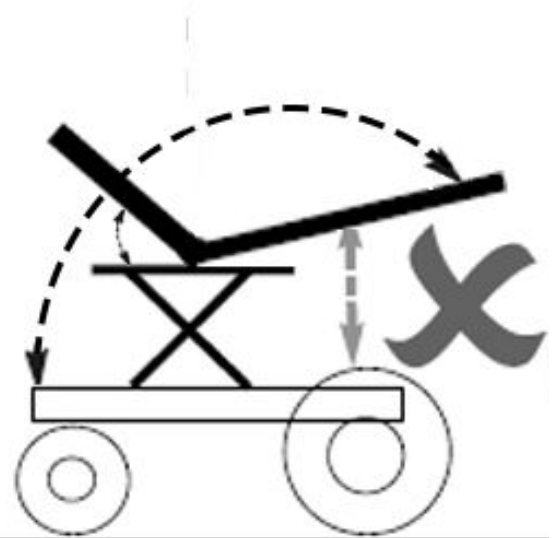


Fig. 3-4 Max. Tilt/Recline Limit (max. back angle)

Lifter Lockout

Lifter systems are equipped with a lifter lockout to prevent the lifter actuator from raising when the system is tilted or reclined more than 60° (TDX SP2)/50° (Storm⁴ combined angle)/25° (Storm⁴ tilt angle).



TDX SP2:	Max. 60°	>60°
Storm ⁴ combined angle:	Max. 50°	>50°
Storm ⁴ tilt angle:	Max. 25°	>25°

3.3 Drive and Seating Limitations (LiNX System)



DANGER!

Risk of Severe Injury or Death

The angle at which the limit switches/lockouts are set is critical to the safe operation of the system.

- Invacare will not be liable for any injuries or damage sustained when adjustments are made beyond the factory recommended settings.
- To ensure proper set-up, adjustments to lockouts and limits should only be performed by a qualified technician.
- Never exceed the maximum recommended limits. Lockouts and limit switches should be set up to best meet the needs of the user without compromising the overall stability of the wheelchair.
- Following any limit or lockout adjustments, always test the seating system over the full range of motion (i.e. tilt, recline, lifter) to verify the revised set-up is functioning properly and ensure that there are no resulting stability or interference issues.



Additional limits and lockout switches may be required for more complicated/specialised seating systems. For information on limits/lockouts that are not identified in this manual, contact your provider.

For TDX SP2, drive and seating restrictions are only updated while stationary.

For AVIVA RX, drive and seating restrictions are updated both while driving and while stationary.

Lifter Lockout

Lifter systems are equipped with a lifter lockout to prevent the lifter actuator from raising above a pre-determined height when the system is tilted or reclined above a pre-determined backrest angle.

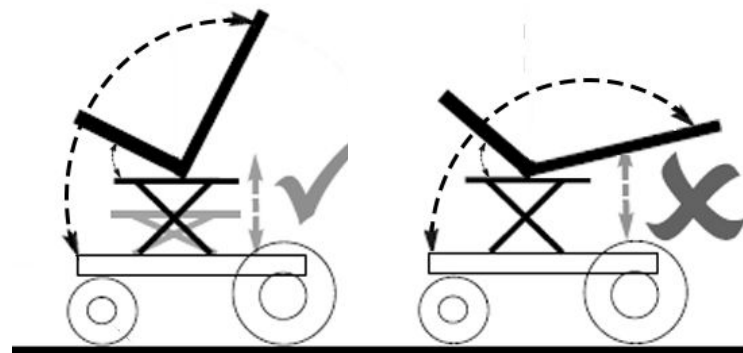


Fig. 3-5 < x°

Fig. 3-6 > x°

Wheelchair Model	Backrest Angle (x°)	Lifter Lockout
AVIVA RX	<ul style="list-style-type: none"> • >110° 	<ul style="list-style-type: none"> • >50 mm



If you first raise the lifter of the AVIVA RX with the backrest in the upright position, you are then able to recline to a backrest angle up to 170°.

Max. Back Angle Limit

The maximum back angle limits how far the backrest can be reclined using either the tilt or recline actuators. The seating

systems are typically preset at the factory to the maximum allowable angle and do not require any further adjustment unless the maximum angle needs to be decreased (see hazard statement below).

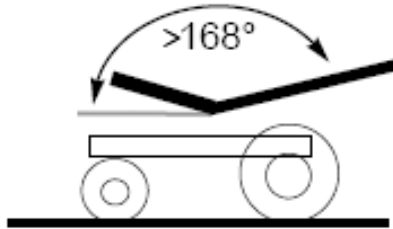


Fig. 3-7

Max. Back Angle Limit =

168° (TDX SP2)

170° (AVIVA RX)



Risk of Damage to Wheelchair

– When establishing the maximum back limit, always consider the size and location of any personal gear that may be carried on the wheelchair, as it could cause interference between the backrest and the wheelchair base when fully tilted/reclined, and damage the actuator and/or wheelchair.

Drive Slowdown

Seating systems are configured/programmed with a drive slowdown. The drive slowdown utilises microswitches to trigger the system into reduced drive speed.

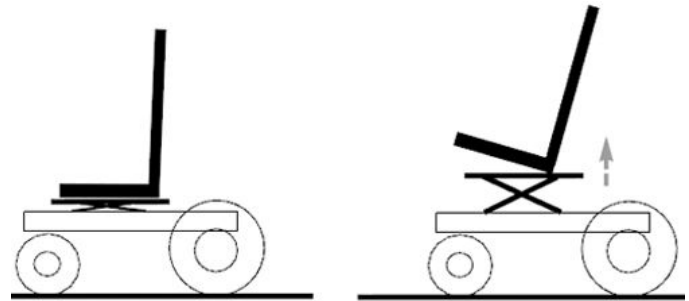


Fig. 3-8 Home position (left), drive slowdown due to height (right)

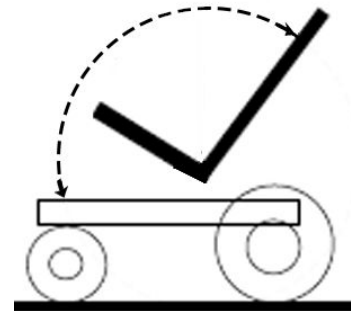


Fig. 3-9 Drive slowdown due to backrest angle

Wheelchair Model	Height	Backrest Angle
TDX SP2	<ul style="list-style-type: none"> • >100 mm 	<ul style="list-style-type: none"> • <150°
	<ul style="list-style-type: none"> • <100 mm • without lifter 	<ul style="list-style-type: none"> • >130° – <150°
AVIVA RX	<ul style="list-style-type: none"> • >50 mm 	<ul style="list-style-type: none"> • <130°
	<ul style="list-style-type: none"> • <50 mm • without lifter 	<ul style="list-style-type: none"> • >130° – <150°

Drive Lockout (DLO) Limit

All tilt and recline seating systems are equipped with a drive lockout (DLO) limit to prevent the wheelchair from being driven when the seating system is tilted or reclined beyond a pre-determined safe total angle and/or a pre-determined height. The total angle can be any combination of seat angle, backrest angle and/or surface angle.

Wheelchair Model	Height	Backrest Angle
TDX SP2	<ul style="list-style-type: none"> • — 	<ul style="list-style-type: none"> • >150°
AVIVA RX	<ul style="list-style-type: none"> • >50 mm 	<ul style="list-style-type: none"> • >130°
	<ul style="list-style-type: none"> • <50 mm • without lifter 	<ul style="list-style-type: none"> • >150°

4 Setup

4.1 General Setup Information



WARNING!

Risk of Death, Serious Injury or Damage

Continued use of the mobility device that is not set to the correct specifications may cause erratic behaviour of the mobility device resulting in death, serious injury, or damage.

- Performance adjustments should only be made by professionals of the healthcare field or persons fully conversant with this process and the driver's capabilities.
- After the mobility device has been set-up/adjusted, check to make sure that the mobility device performs to the specifications entered during the set-up procedure. If the mobility device does not perform to specifications, IMMEDIATELY turn the mobility device Off and re-enter set-up specifications. Contact Invacare, if mobility device still does not perform to correct specifications.



WARNING!

Risk of Death, Serious Injury or Damage

Attaching hardware that is loosely secured or missing could cause instability resulting in death, serious personal injury, or property damage.

- After ANY adjustments, repair or service and before use, make sure that all attaching hardware is present and tightened securely.



WARNING!

Risk of Injury or Damage

Incorrect set up of this mobility device performed by users/caregivers or unqualified technicians can result in injury or damage.

- DO NOT attempt to set up this mobility device. Initial set up of this mobility device MUST be performed by a qualified technician.
- Adjustment by the user is only recommended after they have been given appropriate guidance by the healthcare professional.
- DO NOT attempt to carry out the work if you do not have the listed tools available.



CAUTION!

Damage to Mobility Device and Accident Hazard


It is possible that collisions can occur between mobility device components due to various combinations of adjustment options and their individual settings.

- The mobility device is fitted with an individual, multiply adjustable seating system including adjustable legrests, armrests, a headrest or other options. These adjustment options are described in the following chapters. They are used to adapt the seat to the physical requirements and the condition of the user. When adapting the seating system and the seat functions to the user, ensure that no mobility device components collide.


! IMPORTANT!

The mobility device is manufactured and configured individually to the specifications of the order. The assessment must be performed by a healthcare professional according to the user's requirements and health conditions.

- Consult a healthcare professional if you intend to adapt the mobility device configuration.
- Any adaption should be performed by a qualified technician.

 Initial setup should always be done by a healthcare professional. Adjustment by the user is only recommended after they have been given appropriate guidance by the healthcare professional.

Electrical Adjustment Options

 Refer to the user manual for your remote for more information on operating electrical adjustment options.

Footplates

All footplates offered by Invacare can be folded upwards.

4.2 Adjustment Possibility for Remote

The following information is valid for all seating systems.



CAUTION!

Risk of the remote being pushed backwards during an accidental collision with an obstacle, such as a doorframe or table, and the joystick being jammed against the armpad if the position of the remote is adjusted and all screws are not completely tightened

This will cause the mobility device to drive forward uncontrollably and potentially injure the mobility device user and any person standing in the way.

- When adjusting the position of the remote, always make sure to tighten all screws securely.
- If this should accidentally happen, immediately switch the mobility device electronics OFF at the remote.



CAUTION!

Risk of Injury

When leaning on the remote, for example, when transferring into or out of the wheelchair, the remote holder may break and the user may fall out of the chair.

- Never lean on the remote as a support for, for example, transfer.

4.2.1 Adjusting Remote Height

only for Swing-Away and Swing In/Out Remote Holders

Swing-Away Remote Holder



- 6 mm Allen key
-

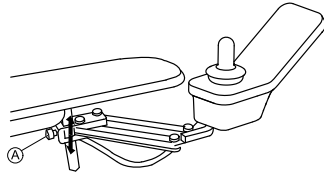


Fig. 4-1

1. Loosen screw (A).
2. Adjust component to desired position.
3. Tighten screw.

Swing In/Out Remote Holder



- 3 mm Allen key

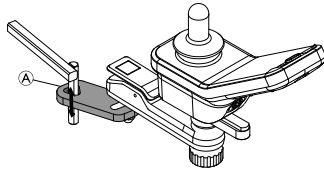


Fig. 4-2

1. Loosen screw (A).
2. Adjust component to desired position.
3. Tighten screw.

4.2.2 Adjusting Remote Offset

The remote can be adjusted by 20 mm sidewise.



- 3 mm Allen key

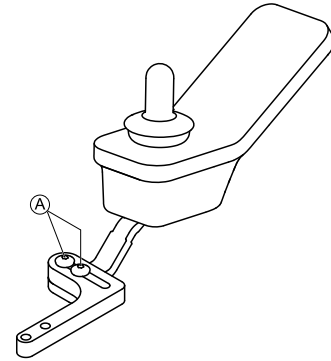


Fig. 4-3

1. Loosen screws (A).
2. Adjust component to desired position.
3. Tighten screws.

Swing In/Out Remote Holder



- 10 mm wrench

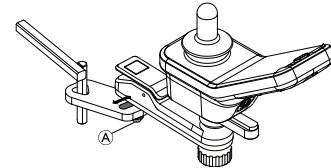


Fig. 4-4

1. Loosen nut (A).
2. Adjust component to desired position.
3. Tighten nut.

4.2.3 Adjusting Remote Depth

Only for Swing In/Out Remote Holder

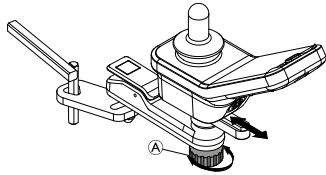
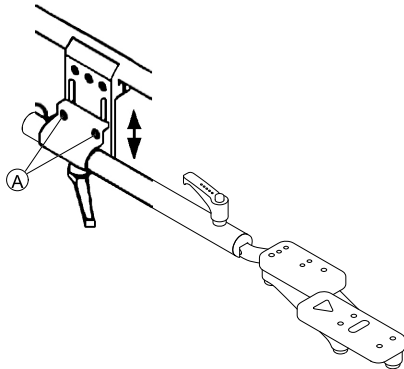


Fig. 4-5

1. Loosen handknob (A).
2. Adjust component to desired position.
3. Tighten handknob.

4.3 Adjustment possibilities for Quad Link remote support

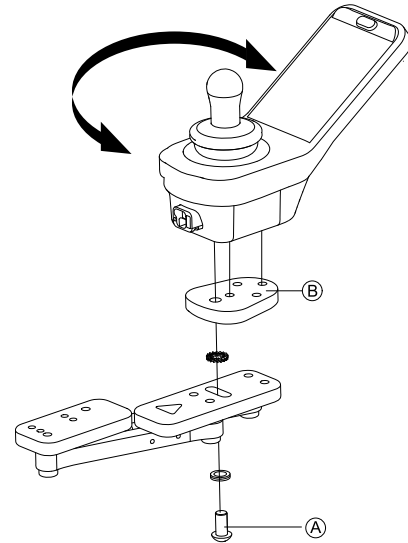
4.3.1 Adjusting remote height



1. Loosen the two set screws (A) on the remote mount.
2. Push or pull the remote mounting tube up or down to the desired height.
3. Tighten the two set screws on the remote mount.

4.3.2 Adjusting remote position

Perform this procedure to adjust the position of the remote on the Quad Link.



1. Loosen screw (A) securing adjustable remote tray (B) to Quad Link.
2. Rotate remote to desired position.
3. Tighten screw to secure adjustable remote tray to Quad Link.

4.3.3 Adjusting Lock Tension

By default, the Quad Link is fitted with two magnets locking the Quad Link in extended position. Removing a magnet reduces the tension and makes it easier to release the Quad Link.



CAUTION!

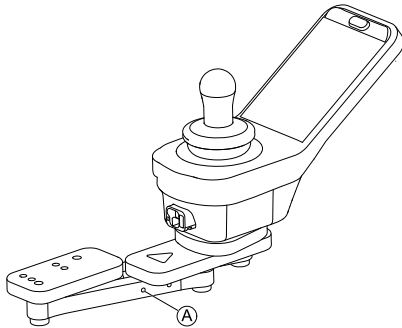
Risk of Injury or Damage to Wheelchair

Removing both magnets leaves Quad Link without lock. Quad Link could retract unintentionally.

- Always leave at least one magnet.



- Small pointed tool such as paper clip



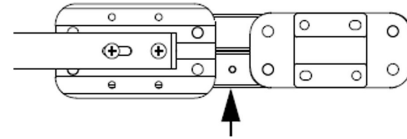
1. Swivel Quad Link to side to access magnets.
2. Insert tool in hole **A** and push out magnet on other side.

4.3.4 Swivelling Remote to Side



WARNING!

- Make sure fingers are not between the linkage bars when locking the Quad Link retractable remote mount into position. Pinch points will occur between the linkage bars when locking the Quad Link into position.



Swivel Remote to Side

1.



To retract remote from normal extended position, push outward on inside surface of remote until Quad Link is free.

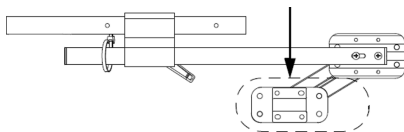


The Quad Link works the best when the remote is pushed outward on the inside surface of the remote, near the armrest pad.

2. Push remote outward and rearward until Quad Link moves through its complete range into its fully retracted position.

Return Remote to Extended Position

1.



To return remote to normal extended position, push outward on inside surface of remote, then forward and inward until Quad Link moves through its complete range and clicks into its fully extended position.

4.4 Adjustment Possibilities for Nucleus Midline Holder



WARNING! Risk of Injury or Death

Loose small parts can lead to choking hazard that may result in injury or death.

- Do not remove any small parts except to replace the joystick knob.
- Do not leave removed joystick knob unattended.
- Closely supervise children, pets or people with physical/mental disabilities.

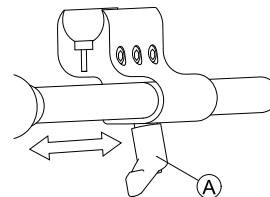


CAUTION! Risk of Injury and Damage

Remaining burrs and missing end caps after modifications on rods, such as shortened rod, can lead to injury or damage.

- Deburr cut after cutting excessive length.
- Re-install end cap after deburring.
- Check end cap for tight fitting.

4.4.1 Adjusting Depth of Midline Holder



1. Loosen lever **A**.
2. Shift midline holder to desired position.
3. Tighten lever.

4.4.2 Adjusting Height of Nucleus Midline Holder

You can adjust the height of the nucleus midline holder in two ways:

- Adjust it together with the armrest height. Refer to corresponding armrest chapters.
- Adjust the height of the nucleus midline holder only. Refer to section below.



- 3/16 inch Allen key

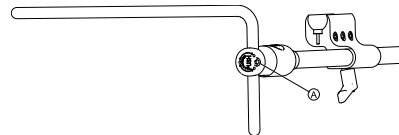


Fig. 4-6

1. Loosen screw **A**.
2. Adjust nucleus to desired height.
3. Tighten screw.

4.4.3 Adjusting Joystick/Display Position on Nucleus Midline Holder

DLX-REM110, DLX-REM2XX, DLX-REM400



- 4 mm Allen key
- 8 mm wrench

Tilting Remote

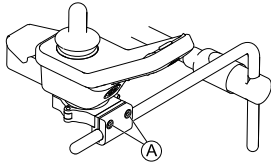


Fig. 4-7 Example of DLX-REM400 adjustment. DLX-REM110, DLX-REM211 and DLX-REM216 are adjusted the same way.

1. Loosen screws (A).
2. Position remote on nucleus.
3. Tighten screws.

Rotating Remote

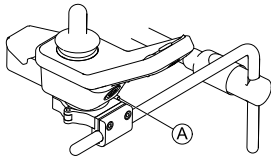


Fig. 4-8 Example of DLX-REM400 adjustment. DLX-REM110, DLX-REM211 and DLX-REM216 are adjusted the same way.

1. Loosen screw (A).
2. Rotate remote in clamp to desired position.
3. Tighten screw.

DLX-REM500



- 3/16 inch Allen key

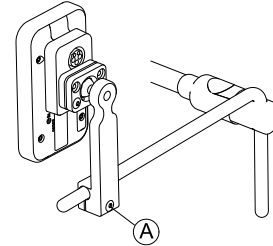


Fig. 4-9

1. Loosen screw (A).
2. Position display on nucleus.
3. Tighten screw.

DLX-CR400 and DLX-CR400LF

Tilting Remote



- 4 mm Allen key

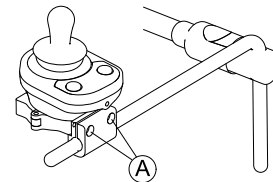


Fig. 4-10

1. Loosen screws (A).
2. Position remote on nucleus.
3. Tighten screws.

Rotating Remote

- 4 mm Allen key
- 8 mm wrench

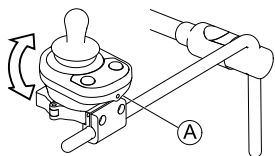


Fig. 4-11

1. Loosen screw (A) (not shown in picture).
2. Rotate remote in clamp to desired position.
3. Tighten screw.

ASL Components on Nucleus Tray

- 3/16 inch Allen key

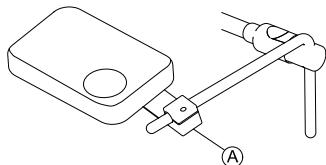


Fig. 4-12 Graphic serves as an example.

1. Loosen screw (A).
2. Position joystick on nucleus.
3. Tighten screw.

ASL Components on Nucleus Only

- 5/32 inch Allen key

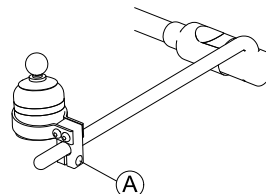


Fig. 4-13 Graphic serves as an example.

1. Loosen screw (A).
2. Position joystick on nucleus.
3. Tighten screw.

4.5 Adjusting Manual Chin Control



WARNING!

Risk of Injury or Death

Small parts can lead to choking hazard that may result in injury or death.

- Do not remove any small parts.
- Closely supervise children, pets or people with physical/mental disabilities.

**CAUTION!****Risk of Injury and Damage**

Remaining burrs and missing end caps after modifications on rods, such as shortened rod, can lead to injury or damage.

- Deburr cut after cutting excessive length.
- Re-install end cap after deburring.
- Check end cap for tight fitting.

4.5.1 Adjusting Extremity Control Joystick**Adjusting Joystick Orientation**

The joystick can be turned through 360 degrees. A slot on the side allows you to angle the joystick at 90 degrees.

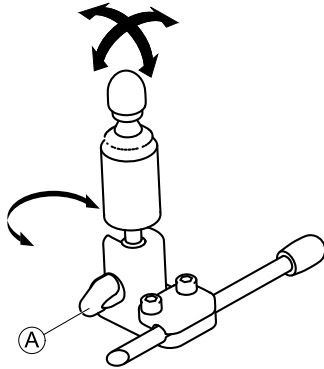


Fig. 4-14

1. Loosen hand screw (A).
2. Turn underpart of joystick to position slot.

3. Adjust joystick orientation. If desired, lock joystick in 90 degree angle in slot.
4. Tighten hand screw.

Adjusting Position on Holder

- 5/32 inch Allen key

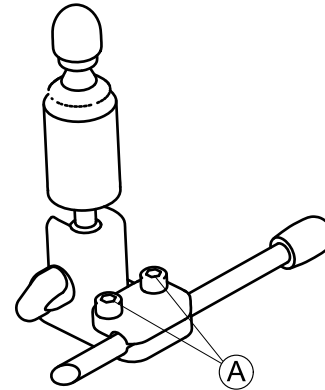


Fig. 4-15

1. Loosen screws (A).
2. Position joystick on holder.
3. Tighten screws.

Adjusting Depth and Height

Refer to 4.8 *Adjusting Swing-Away Mechanism*, page 25.

4.5.2 Adjusting Egg Switch**Adjusting Switch Orientation**

The egg switch can be turned through 360 degrees.



- 7/16 inch wrench

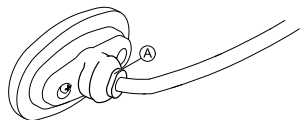


Fig. 4-16

1. Loosen nut (A).
2. Adjust egg switch orientation.
3. Tighten nut.

Adjusting Depth and Height

Refer to 4.8 *Adjusting Swing-Away Mechanism*, page 25.

4.6 Adjusting Head Array

Adjusting Pad Position



- 5/32 inch Allen key

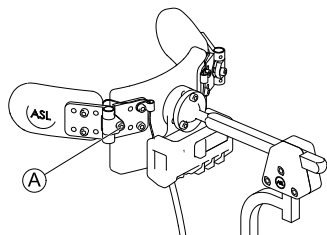


Fig. 4-17

1. Loosen screw (A).
2. Adjust pad position.
3. Tighten screw.

Adjusting PROTON Wings

Refer to 4.8 *Adjusting Swing-Away Mechanism*, page 25.

Adjusting Headrest Position

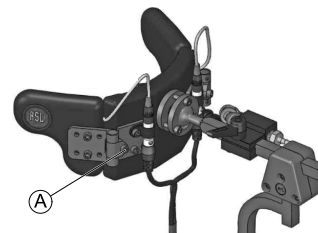
Refer to 4.19.4 *Adjusting multi-axis headrest hardware*, page 41.

4.7 Adjusting Sip and Puff Head Array

Adjusting Pad Position

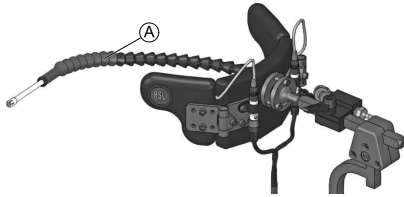


- 5/32" (4 mm) Allen key



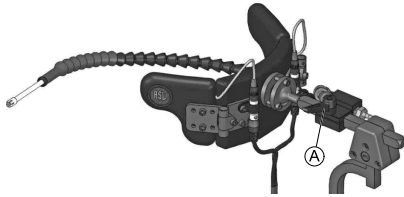
1. Loosen screw (A).
2. Adjust pad position.
3. Tighten screw.

Adjusting Position of Sip and Puff Tube



1. Bend flexible sip and puff tube (A) to desired position.

Adjusting Depth of Sip and Puff Tube



1. Loosen clamping lever (A).
2. Adjust sip and puff tube to desired depth.
3. Tighten clamping lever.

Adjusting Headrest Position

Refer to 4.19.4 *Adjusting multi-axis headrest hardware*, page 41.

4.8 Adjusting Swing-Away Mechanism



WARNING!

Risk of Injury or Death

Small parts can lead to choking hazard that may result in injury or death.

- Do not remove any small parts.
- Closely supervise children, pets or people with physical/mental disabilities.



CAUTION!

Risk of Injury and Damage

Remaining burrs and missing end caps after modifications on rods, such as shortened rod, can lead to injury or damage.

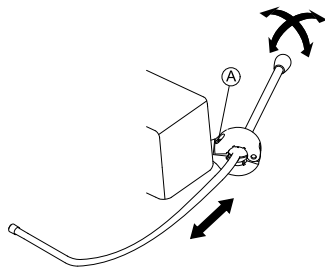
- Deburr cut after cutting excessive length.
- Re-install end cap after deburring.
- Check end cap for tight fitting.

The swing-away mechanism can be used for different options such as:

- PROTON wings of head array
- Extremity control joystick for chin control
- Egg switch



- 5/32 inch Allen key



Adjusting Depth

1. Loosen screw (A).
2. Adjust rod to desired depth.
3. Tighten screw.

Adjusting Position

The swing-away mechanism can be turned through 360 degrees.

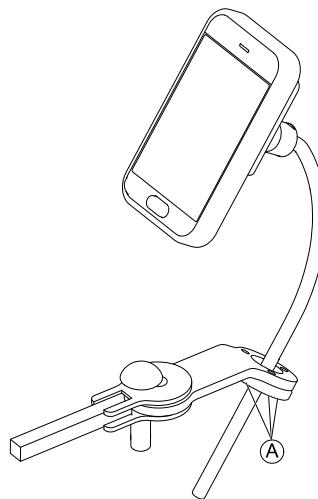
1. Loosen screw (A).
2. Adjust to desired position.
3. Tighten screw.

4.9 Adjusting Swing-Away Display Holder

Adjusting Holder Height



- 3 mm Allen key



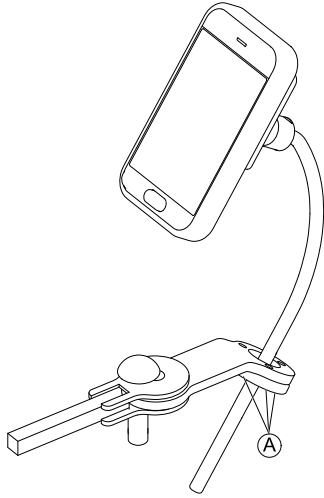
1. Loosen screws (A).
2. Position holder to desired height.
3. Tighten screws.

Adjusting Holder Orientation

The holder can be turned through 360 degrees.



- 3 mm Allen key



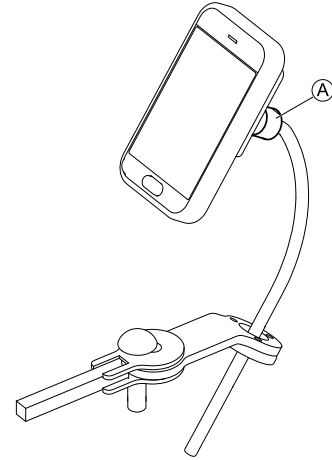
1. Loosen screws ①.
2. Adjust holder orientation.
3. Tighten screws.

Adjusting Display Orientation

The display can be turned through 360 degrees.



- 18 mm wrench



1. Loosen clamping bush ①.
2. Adjust display orientation.
3. Tighten clamping bush.

4.10 Adjusting Seat Depth

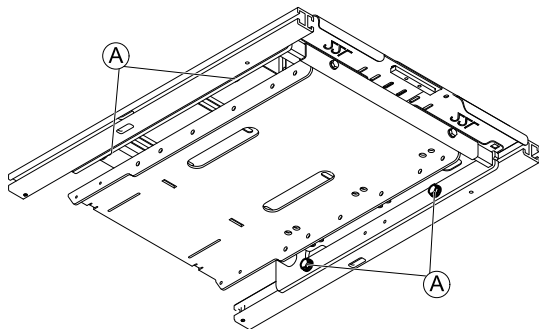


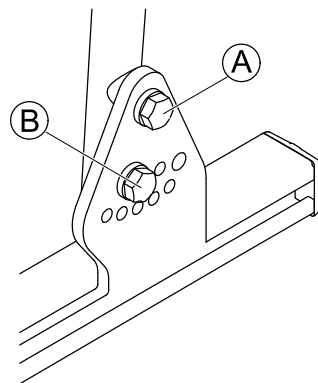
Fig. 4-18

1. On underside of seat, loosen screws (A).
Do not remove them!
2. Adjust side rails with front seat plates to desired seat depth.
3. Tighten screws.

4.11 Adjusting Angle of Preset Backrest



- 10 mm wrench
- 13 mm wrench



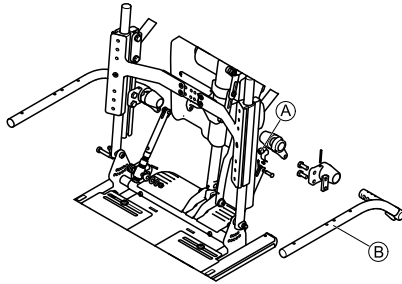
1. On both sides, loosen screw (A).
Do not remove it.
2. On both sides, loosen and remove screw and washer (B).
3. Adjust backrest to desired angle.
4. Insert screw and washer and tighten.

4.12 Adjusting cantilever flip-up armrest

Adjust armrest width



- Tools:
- 6 mm Allen key



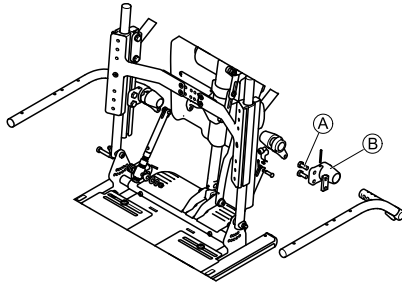
1. Remove screw **A**.
2. Adjust armrest **B** to desired width.
3. Insert and tighten screw.

Adjust armrest height



Tools:

- 13 mm open-ended wrench



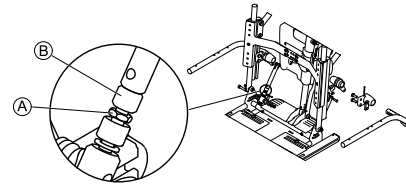
1. Loosen screws **A**.
2. Adjust armrest **B** to desired height.
3. Tighten screws.

Adjust armrest angle



Tools:

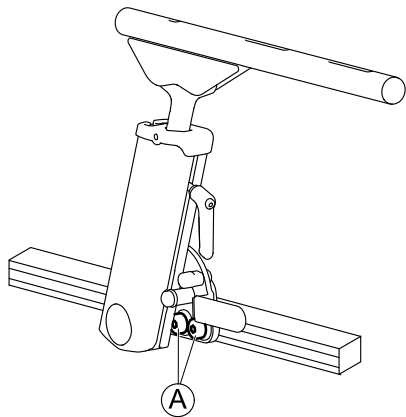
- 13 mm open-ended wrench



1. Loosen lock nut **A**.
2. Adjust armrest angle by adjusting thread rod with thumb nut **B**:
 - To lift armrest, screw in thread rod.
 - To lower armrest, screw out thread rod.
3. Tighten lock nut.

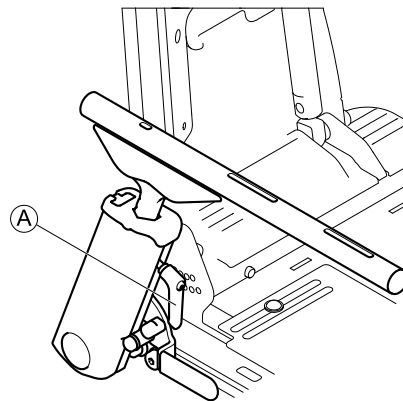
4.13 Ultra Rail Mounted Flip Back Cantilever Maxx Armrest

Adjusting Position



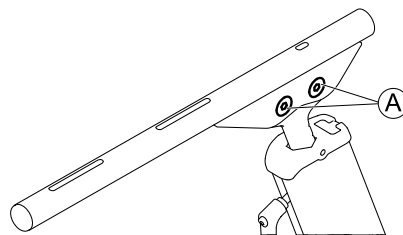
1. Loosen screws (A).
Do not remove them.
2. Adjust armrest to desired position.
3. Tighten screws.

Adjusting Height



1. Loosen clamping lever (A).
2. Adjust armrest to desired height.
3. Tighten clamping lever.

Adjusting Angle



1. Loosen screws (A).
Do not remove them.
2. Adjust armrest to desired angle.
3. Tighten screws.

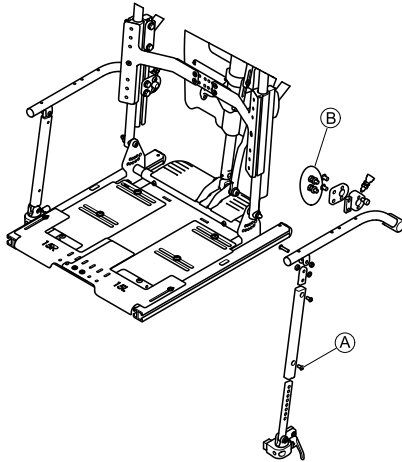
4.14 Adjusting two post recline armrest

The two post recline armrest has an adjustable pivot arm to allow height adjustments in 13 mm increments.



Tools:

- 5 mm Allen key
- 13 mm wrench



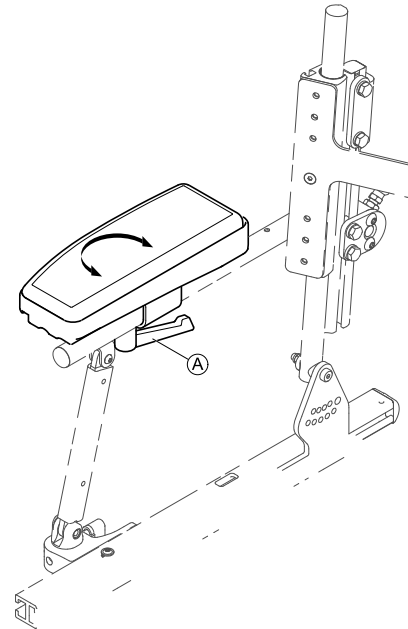
1. Remove screw **A** and slide the inner pivot arm up/down to the desired height.
2. Reinstall screw.
3. To adjust the armrest receiver assembly to match the height adjustment of the pivot arm assembly, loosen the two screws **B** on the inside of the armrest receiver and slide the armrest receiver up/down the backrest tube to the desired height.
4. Retighten screws.

1585725-J

Recline armrest and hip support

When using a two post recline armrest in combination with a hip support, note that the hip support must be installed in front of the receiver of the two post recline armrest. When installed behind the receiver, the hip support can get damaged when reclining the backrest.

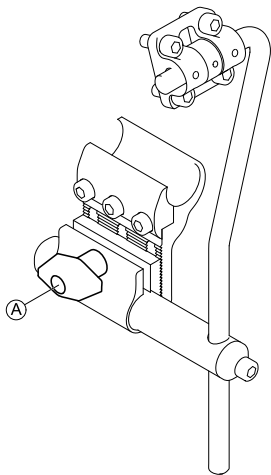
4.15 Adjust armpad with Multi Axis Upper Extremity Support (MACES)



1. Loosen clamp lever Ⓐ.
2. Adjust armpad position.
3. Tighten clamp lever.


4.16 Adjusting Elbow Block

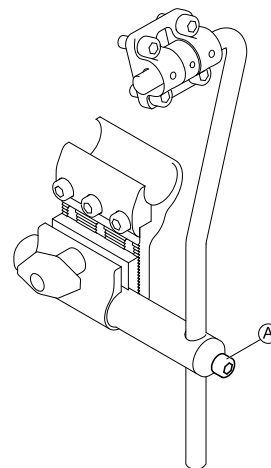
Adjusting Depth of Elbow Block



1. Loosen screw Ⓐ.
Do not remove it.
2. Adjust elbow block to desired depth.
3. Tighten screw.


Adjusting Height of Elbow Block

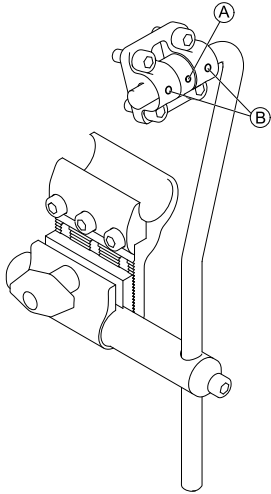
-
- 
- 5 mm Allen key
-



1. Loosen screw Ⓐ.
Do not remove it.
2. Adjust elbow block to the desired height.
3. Tighten screw.

Adjusting Width of Elbow Block

-
- 
- 3 mm Allen key
 - 4 mm Allen key
-

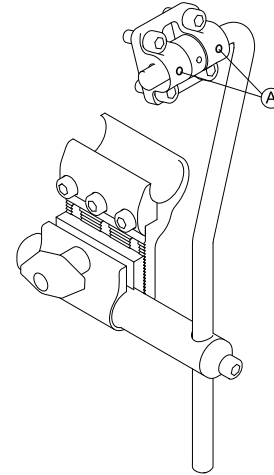


1. Loosen screws Ⓐ and Ⓑ.
Do not remove them.
2. Adjust elbow block to desired width.
3. Tighten screws.

Adjusting Angle of Elbow Block



- 4 mm Allen key
-



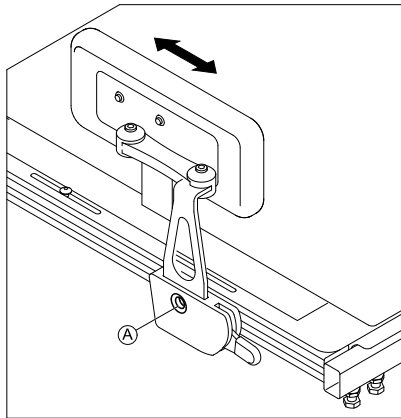
1. Loosen screws Ⓐ.
Do not remove them.
2. Adjust elbow block to desired angle.
3. Tighten screws.

4.17 Hip support with quick release

Adjusting position of hip support



- 5 mm Allen key
-

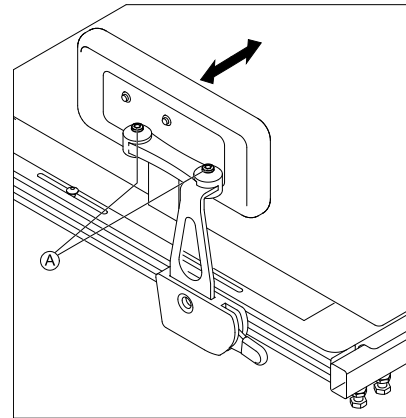



1. Loosen screw Ⓐ.
Do not remove it.
2. Adjust hip support to desired position.
3. Tighten screw.

Adjusting width of hip support



- 2 x 5 mm Allen key
-

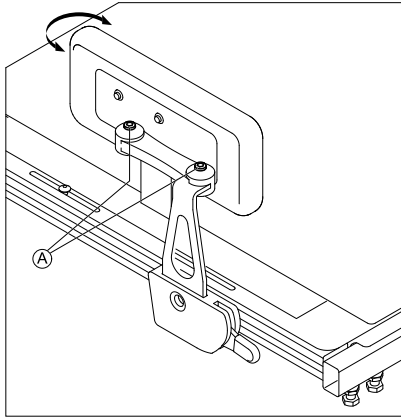


1. Loosen screws Ⓐ.
2. Adjust hip support to desired width.
 You can adjust the width only smaller than the seat width but not wider.
3. Tighten screws.

Adjusting angle of hip support




- 5 mm Allen key
-



1. Loosen screws (A).
2. Adjust hip support to desired angle.
3. Tighten screws.

Adjusting hip pad depth

-
- 
- 10 mm wrench
-


1. Loosen the two screws (A).
2. Adjust hip pad to desired depth.
3. Tighten screws.

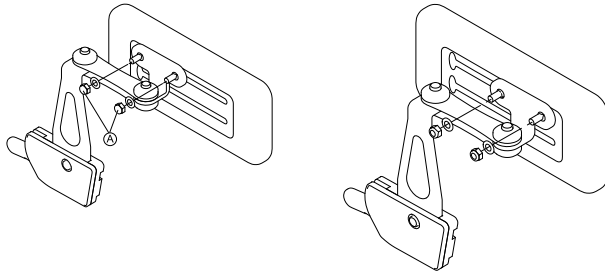
Adjusting hip pad height

You can adjust the hip pad height in two ways:

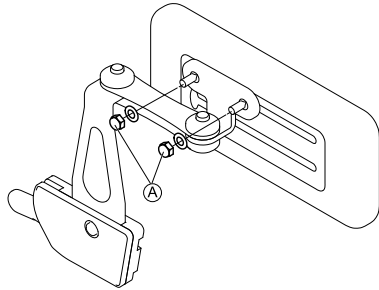
- Via its mounting slots.
- Via its bracket.

Via mounting slots

-
- 
- 10 mm wrench
-

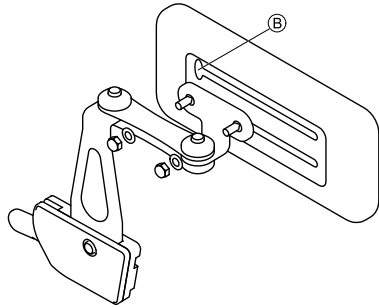


1.



Loosen the two screws (A).

2.



Remove hip pad bracket from mounting slot via cut-out (B).

3. Insert hip pad bracket in other mounting slot.

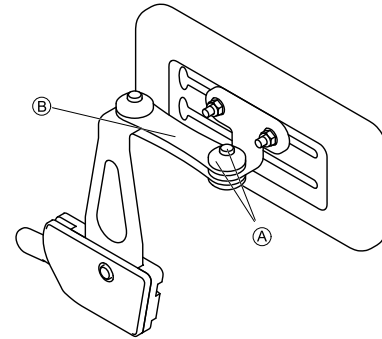
4. Tighten screws.

Via bracket



- 5 mm Allen key

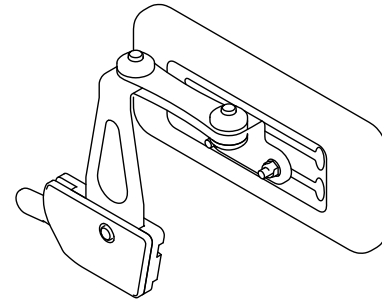
1.



Remove upper screw and friction cap (A).

2. Remove small friction link (B).

3.



Remove hip pad with bracket, turn upside down and reinstall.

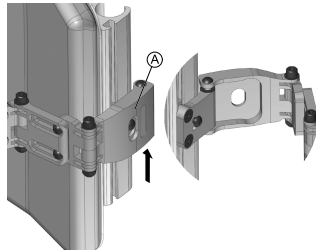
4. Insert friction link, friction cap, screw and tighten.

4.18 Lateral Trunk Support Adjustments



- 4 mm Allen key
- 10 mm wrench

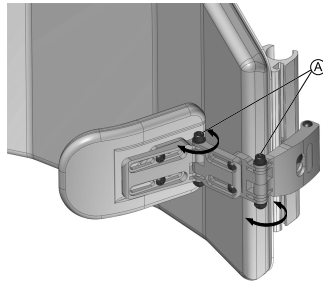
Swing-away feature



1. Lift bracket (A) up to release.
2. Swing lateral rearward.

Angle adjustment

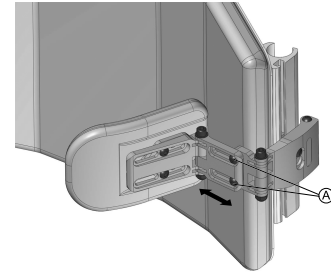
The angle can be adjusted infinitely.



1. Loosen nuts/screws (x2) (A) to adjust pad angle.

Width adjustment

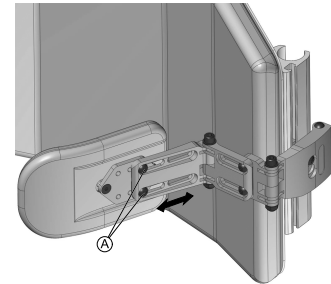
When adjusting both laterals, the width can be adjusted to total of 89 mm (3.5").



1. Loosen screws (x2) (A) to adjust bracket width.

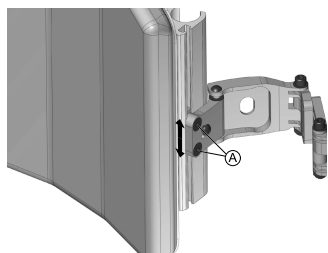
Pad depth adjustment

The pad depth can be adjusted in a range of 63.5 mm (2.5") in total.



1. Loosen screws (x2) (A) to adjust pad depth.

Height adjustment



1. Loosen screws (x2) Ⓐ to adjust lateral height (or remove).

4.19 Adjusting the headrest

The headrest clamp hardware is designed to install into existing mounting holes in the backrest pan.

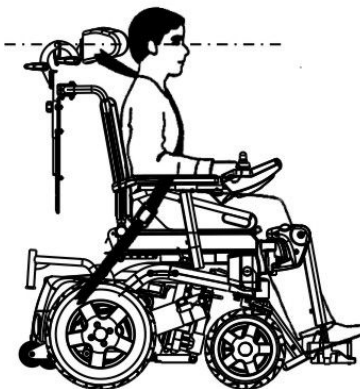


CAUTION!

Risk of injury during use of the mobility device as a vehicle seat if a headrest is wrongly adjusted or not installed

This can cause the neck to be hyperextended during collisions.

- A headrest must be installed. The headrest optionally supplied for this mobility device by Invacare is perfectly suitable for use during transport.
- The headrest must be adjusted to the user's ear height.



Risk of damage to the wheelchair

- For systems equipped with power recline and ESR, always inspect/test the headrest (down tube) for possible interference over the full range of recline. If interference occurs, the length of the down tube must be modified as necessary.



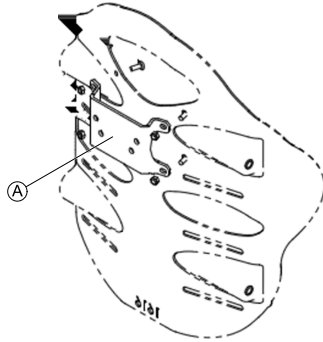
- It may be necessary to remove and modify the back cushion cover in order to access the headrest mounting holes on the back pan.
- An optional shim plate is available. It may be installed between the clamp assembly and the back pan to provide additional spacing/clearance on Posture Back and Deep Back.

4.19.1 Installing headrest adapter for Elite and High Backs

When installing a headrest on a High Back or Elite Back, you need to use an adapter.



- Phillips screwdriver
- 8 mm wrench

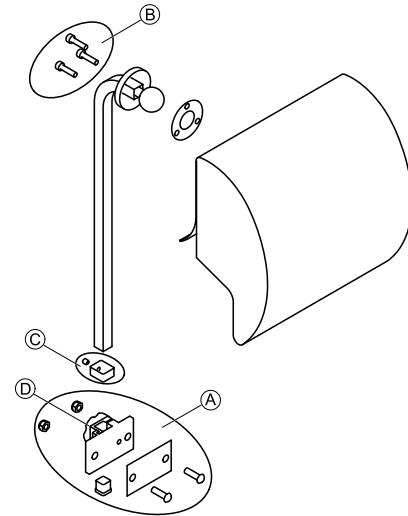


1. Using the hardware provided, align and install the headrest adapter (A) into the existing mounting holes in the back pan.

4.19.2 Auto-style headrest set-up and installation



- 2.5 mm Allen key
- 4 mm Allen key
- 5 mm Allen key
- 10 mm wrench



1. Using the hardware provided, align and install the headrest clamp assembly into the existing mounting holes in the back pan (A).
2. Secure the headrest pad to the headrest rod via the mounting hardware provided (B).



The headrest pad can be adjusted to any desired angle via the pivot ball at the end of the headrest rod by loosening and tightening the mounting hardware.

3. Adjust the overall height of the headrest pad/mounting post via the knob ④.
For proper set-up the headrest should be adjusted to the user's ear height.
4. Once the final height position is set, adjust the D-Ring (with set-screw) so that it rests flush with the top of the clamp assembly (to prevent slipping) ③.

4.19.3 Adjusting Elan Headrest Hardware

Elan headrest hardware is highly adjustable. The illustration below shows the possible adjustment ranges of the joints.

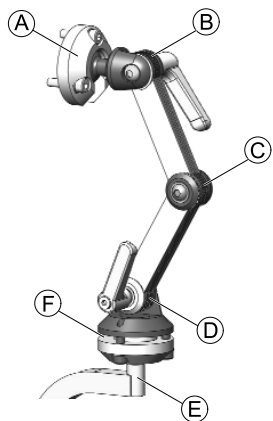


Fig. 4-19

①	Upper multi-angle rotational pivot	<ul style="list-style-type: none"> • 360° rotation • 80° tilt
②	Upper linkage	<ul style="list-style-type: none"> • 180° rotation
③	Middle linkage	<ul style="list-style-type: none"> • 100° rotation

④	Lower linkage	<ul style="list-style-type: none"> • 180° rotation
⑤	Mounting post	<ul style="list-style-type: none"> • 360° rotation in 90° increments
⑥	Lower multi-angle rotational pivot	<ul style="list-style-type: none"> • 360° rotation • 50° tilt

Installing

- 2.5 mm Allen key
- 4 mm Allen key
- 5 mm Allen key

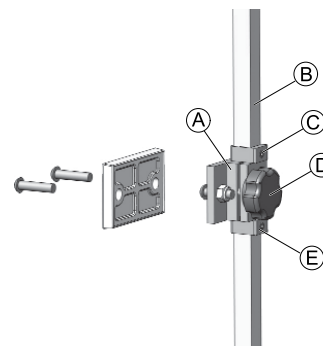


Fig. 4-20

1. Using hardware provided, align and install headrest clamp assembly into existing mounting holes in backrest pan **A**.
2. Install headrest pad (not shown) to headrest rod using mounting hardware provided.



The headrest pad can be adjusted to any desired angle via the pivot ball at the end of the headrest rod by loosening and tightening the mounting hardware.

3. Loosen and remove lower D-Ring **E** from hardware.
4. Slide vertical mounting post **B** into clamp assembly and adjust overall height of headrest pad to desired position. Tighten knob **D**.
For proper set-up headrest should be adjusted to user's ear height.
5. Adjust upper D-Ring **C** as required.
6. Once final height position is set, adjust lower D-Ring **E** so that it rests flush with bottom of clamp assembly (to prevent slipping).

Adjusting Depth and Angle

The headrest can be further adjusted for depth and angle via the articulating hardware.



- 4 mm Allen key
- 5 mm Allen key

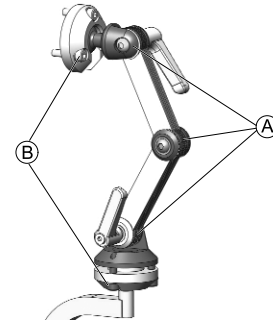


Fig. 4-21

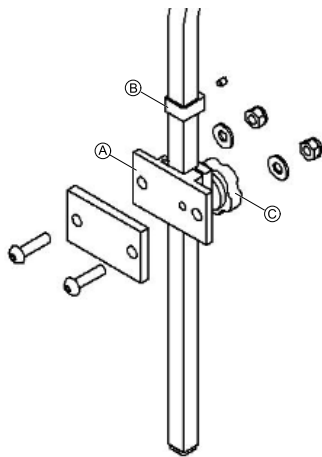
1. Loosen screws and clamping levers of dual link adjustment assembly **A** and screws of upper and lower rotational pivots **B**.
2. Adjust component to desired position.
3. Tighten screws and clamping levers.

4.19.4 Adjusting multi-axis headrest hardware

Installing



- 2.5 mm Allen key
- 4 mm Allen key
- 10 mm wrench



1. Using hardware provided, align and install headrest clamp assembly into existing mounting holes in backrest pan (A).
2. Install headrest pad (not shown) to headrest rod using mounting hardware provided.



The headrest pad can be adjusted to any desired angle via the pivot ball at the end of the headrest rod by loosening and tightening the mounting hardware.

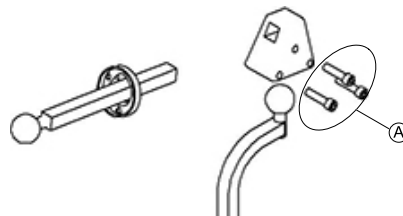
3. Adjust overall height of headrest pad to desired position. Tighten knob (C).
For proper set-up headrest should be adjusted to user's ear height.
4. Once final height position is set, adjust D-Ring (B) so that it rests flush with top of clamp assembly (to prevent slipping).

Adjusting depth and angle

The headrest and horizontal rod can be further adjusted for depth and angle via the triangular multi-offset bracket.



- 5/32" Allen key



1. Loosen hardware in multi-offset bracket (A).
2. Adjust headrest to desired position.
3. Re-tighten hardware.

4.20 Pivot Plus legrests

4.20.1 Swing away Pivot Plus legrests

The Pivot Plus legrests use a user friendly lever handle that locks and unlocks the legrest, allowing the legrest pin to pivot/rotate about the legrest receiver.

1.

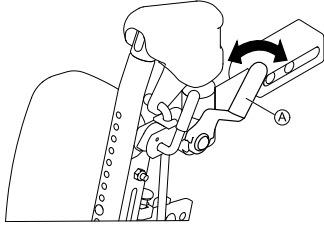


Fig. 4-22

Place the lever handle (A) in the unlocked position.

2.



Fig. 4-23

Swivel the legrest outward.

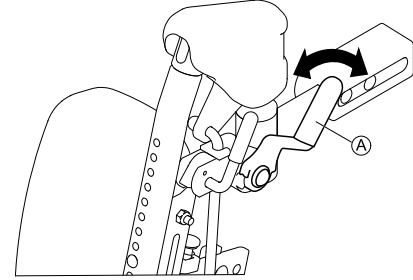
4.20.2 Removing Pivot Plus Legrests

When necessary, the Pivot Plus legrests may also be completely removed from the power wheelchair.

1585725-J

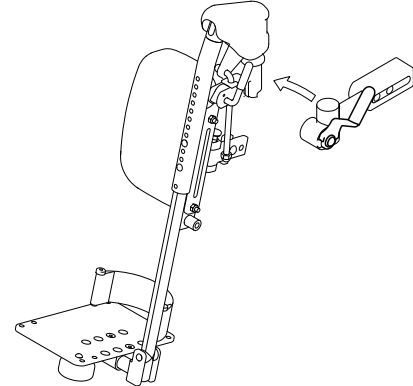
Removing

1. Powered Pivot Plus only: Disconnect actuator.
- 2.



Place lever handle (A) in unlocked position.

3.



Lift entire legrest assembly upward.

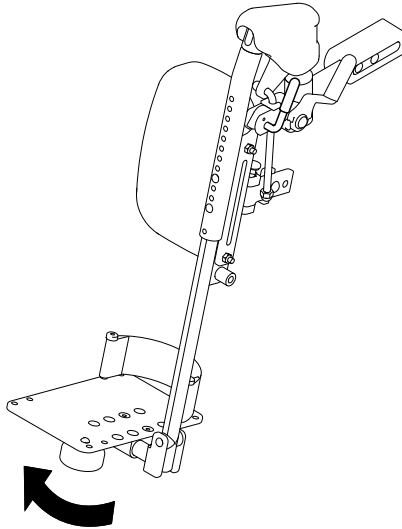
Reinstalling

1. Insert legrest pin inside legrest receiver.
2. Return lever handle to locked position.
3. Powered Pivot Plus only: Connect actuator. Make sure plug engages with audible click.

4.20.3 Adjusting angle of Pivot Plus legrests

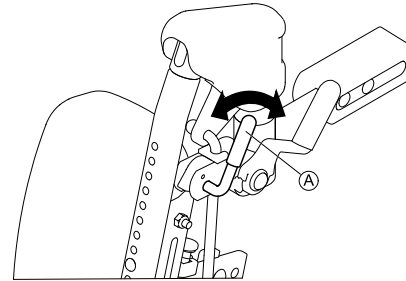
The angle of the Pivot Plus legrest is adjusted by manually elevating or lowering it.

Elevating Pivot Plus legrest



1. Pull legrest upward to desired angle.

Lowering Pivot Plus legrest



1. Unlock manual legrest lever Ⓐ.
2. Lower legrest to desired angle.
3. Lock manual legrest lever.

4.20.4 Adjusting Width- and Angle-Adjustable Footplate



Tools:

- 6 mm Allen key
- 10 mm wrench

Adjusting the Width

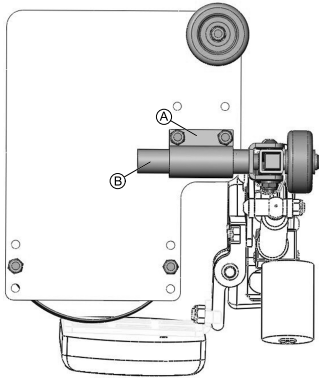


Fig. 4-24

1. Loosen the clamping block Ⓐ to adjust the entire footplate position (width) in and out along the pivot post Ⓑ.

Adjusting the Angle

The footplate angle can also be adjusted via the setscrew on the inside of the footplate bracket.

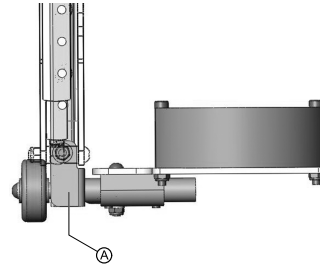


Fig. 4-25

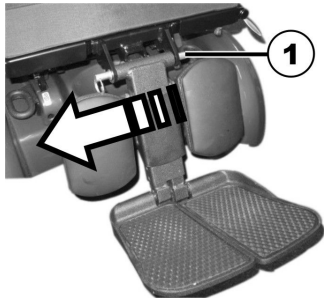
1. Tighten or loosen the set screw Ⓐ to increase or decrease the footplate angle accordingly.

4.21 Center-mounted legrests — manually adjustable

4.21.1 Removing the legrest

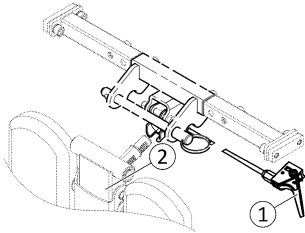
You can remove central, manually adjustable legrest completely.

1.



Remove removable axle (1).

2.



Hold legrest securely and pull lever (1).

3. Remove legrest from holder (2).

4.21.2 Setting the angle of the leg rest



CAUTION! Risk of injury

If the leg rest is not secured and the lever (1) is removed, the leg rest will drop suddenly, which could cause an injury.

– Secure the leg rest before you remove the lever to adjust the angle of the leg rest.



1. Hold the leg rest securely.
2. Pull the lever (1).
3. Push the leg rest into the required position.

4.21.3 Setting Length of Legrest



- 3/16 inch Allen key

You can adjust the length of the legrests independently of one another.

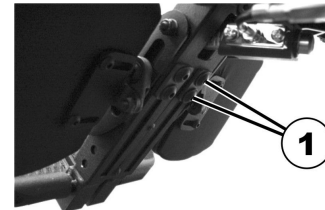


Fig. 4-26

1. Release the bolts (1) on the rear of the legrest using the Allen key.
2. Set the desired length.
3. Retighten the bolts.

4.21.4 Setting Angle of Foot Plate



- 5/32 inch Allen key



Fig. 4-27

1. Fold the foot plates up in order to access the adjusting screws (1).
2. Set the adjusting screws using the Allen key.
3. Fold the foot plate down again.

4.21.5 Setting Angle and Height of Calf Pad



- 3/16 inch Allen key

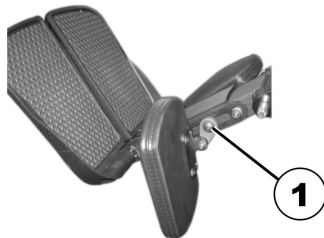


Fig. 4-28

1. Fold the calf pad forward in order to access the bolt (1).
2. Loosen the bolt using the Allen key and adjust the calf pad to the required angle and height.

3. Retighten the bolt.
4. Fold the calf pad back.

4.22 LNX legrest

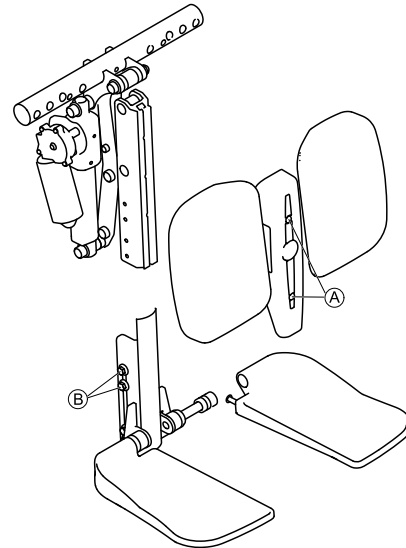
4.22.1 Setting the length of the legrest

If needed, the legrest can be pre-set to 83° or 97° instead of 90°. Contact your Invacare provider.




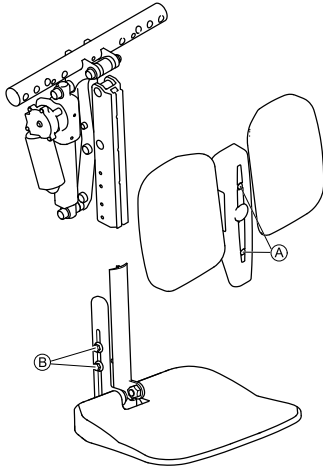
- 4 mm Allen key
- 10 mm open-ended wrench

You can adjust the length of the legrests independently of one another.




1. Remove screws (A) at the front of legrest.
2. Remove cover together with calf pads.
3. Loosen nuts (B) at the side of legrest.
It may be necessary to remove the nuts and move them from one slot to the other.
4. Set desired length.
5. Retighten nuts.
6. Refit the calf pads and cover and retighten screws.

 The legrest with foot platform is adjusted the same way.



4.22.2 Setting Angle of Foot Plate

-  • 5/32 inch Allen key

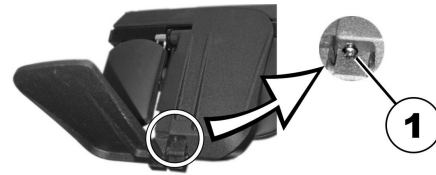


Fig. 4-29


1. Fold the foot plates up in order to access the adjusting screws (1).
2. Set the adjusting screws using the Allen key.
3. Fold the foot plate down again.

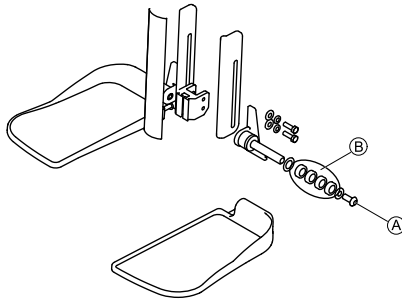
4.22.3 Adjusting footplate width of center-mounted legrest

The footplate width is adjusted via spacers:

- Set spacers on the inside to increase width.
- Set spacers on the outside to decrease width.

Each spacer increases or decreases the width by 1/4" (6.35 mm).

-
-  Tools:
- 6 mm Allen key
-



1. Remove screw (A).
2. Remove spacers (B) and footplate.
3. Set spacers on the inside as needed.
4. Add footplate.
5. Set spacers on the outside as needed.
6. Retighten screw.

4.22.4 Setting Angle of Footboard



- 5/32 inch Allen key

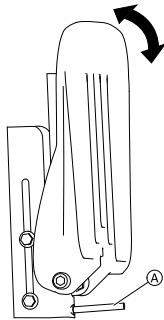


Fig. 4-30

1. Fold the foot platform up in order to access the adjusting screw (A).
2. Set the adjusting screw using the Allen key.
3. Fold the foot platform down again.

4.22.5 Setting Height and Width of Calf Pad



Risk of damage to the mobility device

- After changing the configuration of the calf pads make sure that the calf pads contact neither the casters nor the seat plate when adjusting the legrest angle.

Calf pads may be adjusted independently on their respective mounting bracket using the mounting screws at the rear of the calf pads. Calf pads may be adjusted (for depth, height & angle) to achieve a variety of different configurations. The independent pad adjustments provide optimal positioning and comfort for end users - sample configurations are illustrated below.

Calf Pad Adjustment — Sample Configurations				
Centered	Extended Position (maximum)	Lowered Offset	Raised Offset	Angled



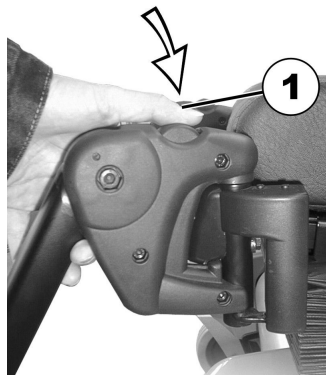
- 4 mm Allen key

1. Fold the calf pad forward in order to access the bolts.
2. Loosen the bolts and remove them if necessary.
3. Adjust the calf pad to the required height and width.
4. Retighten the bolts.
5. Fold the calf pad back.

4.23 Vari-F footrest

4.23.1 Swivelling the footrest/legrest outward and/or removing

The small unlocking button is located on the upper section of the footrest/legrest. When the footrest/legrest is unlocked, it can be swivelled inward or outward when getting into the wheelchair as well as being removed completely.



1. Press the unlocking button (1) and swivel the footrest/legrest outward.
2. Remove the footrest/legrest in an upward direction.

4.23.2 Setting the angle



CAUTION!

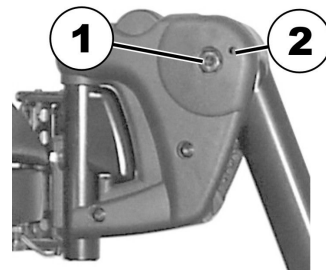
Risk of injury due to incorrect adjustment of the footrests and legrests

- Before and during every journey it is imperative to ensure that the legrests contact neither the castor wheels nor the ground.



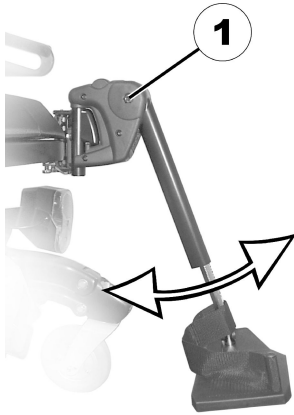
- 6 mm Allen key

1.



1. Loosen the screw (1) using the Allen key.
2. If the footrest cannot be moved after loosening the screw, position a metal pin in the designated borehole (2) and use a hammer to knock on this lightly. The clamping mechanism in the interior of the footrest will be released by this. Repeat the procedure from the other side of the footrest if necessary.

3.



Loosen the screw (1) using the Allen key.

4. Set the desired angle.
5. Re-tighten the screw.

4.23.3 Setting the end stop of the footrest



- 6 mm Allen key
- 10 mm wrench

1.

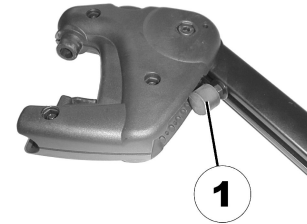


Fig. 4-31

The end position of the footrest is determined by means of a rubber stop (1).

2.

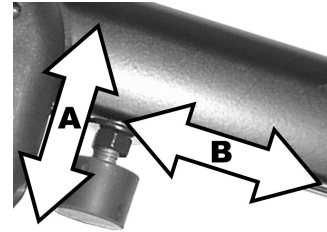


Fig. 4-32

The rubber stop can be screwed in or out (A) or pushed up or down (B).

3.

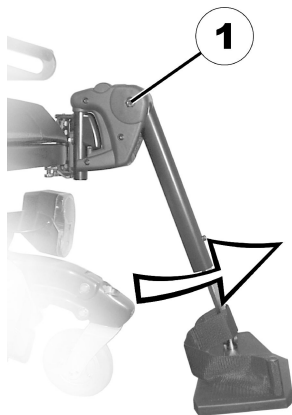


Fig. 4-33

Use the Allen key to loosen the screw (1) and swivel the footrest upward in order to access the rubber stop.

4.



Fig. 4-34

Use the open-ended spanner to loosen the counternut (1).

5.

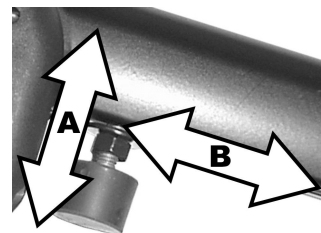


Fig. 4-35

Move the rubber stop to the desired position.
6. Re-tighten the counternut.

7.

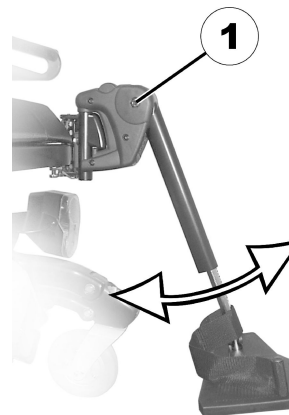


Fig. 4-36

Move the footrest to the desired position.
8. Re-tighten the screw.

4.23.4 Adjusting the length of the footrest



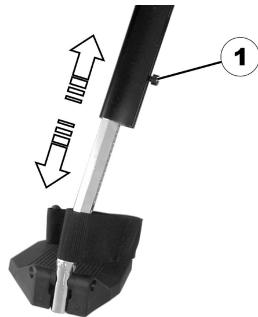
CAUTION!

Risk of injury due to incorrect adjustment of the footrests and legrests

– Before and during every journey it is imperative to ensure that the legrests contact neither the castor wheels nor the ground.



- 5 mm Allen key



1. Use the spanner to loosen the screw (1).
2. Adjust to the desired length.
3. Re-tighten the screw.

4.24 Vari-A legrests

4.24.1 Swivelling the footrest/legrest outward and/or removing

The small unlocking button is located on the upper section of the footrest/legrest. When the footrest/legrest is unlocked,

1585725-J

it can be swivelled inward or outward when getting into the wheelchair as well as being removed completely.



1. Press the unlocking button (1) and swivel the footrest/legrest outward.
2. Remove the footrest/legrest in an upward direction.

4.24.2 Setting the angle

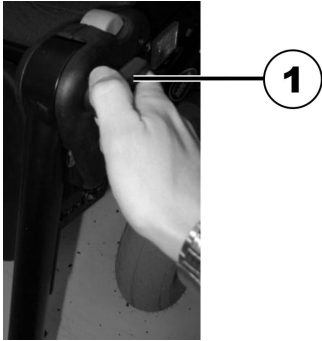


CAUTION!

Risk of injury due to incorrect adjustment of the footrests and legrests

– Before and during every journey it is imperative to ensure that the legrests contact neither the castor wheels nor the ground.

1.



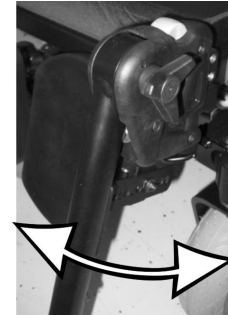
Loosen the locking knob (1) counter-clockwise at least one turn.

2.



Hit the knob to release the locking mechanism.

3.



Set the desired angle.

4.



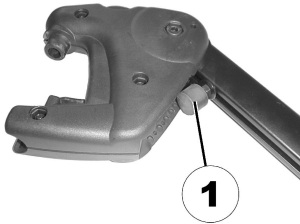
Turn the knob clockwise to tighten it.

4.24.3 Setting the end stop of the legrest



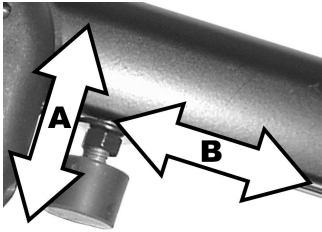
- 10 mm wrench
-

1.



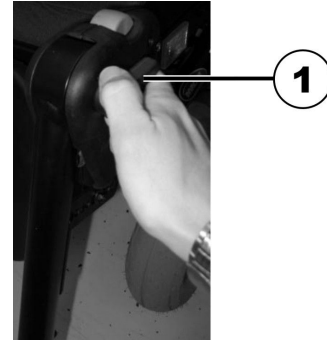
The end position of the legrest is determined by means of a rubber stop (1).

2.



The rubber stop can be screwed in or out (A) or pushed up or down (B).

3.



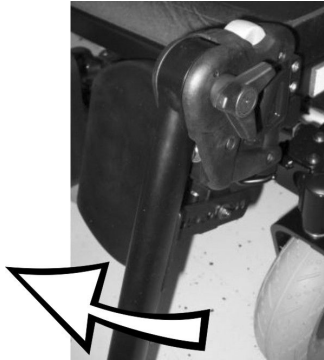
Loosen the locking knob (1) counter-clockwise at least one turn.

4.



Hit the knob to release the locking mechanism.

5.



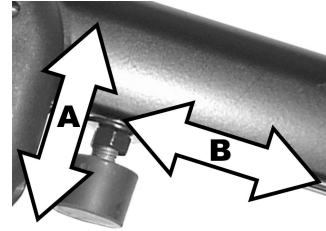
Swivel the legrest upward in order to access the rubber stop.

6.



Use the wrench to loosen the counter nut (1).

7.

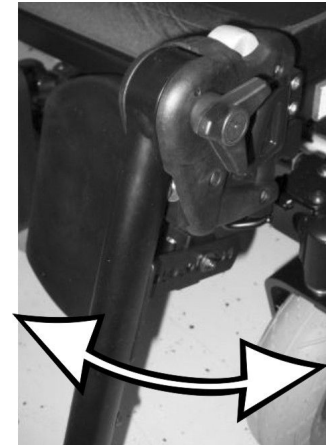


Move the rubber stop to the desired position.

8.

Re-tighten the counter nut.

9.



Move the legrest to the desired position.

10.

Re-tighten the locking knob.

4.24.4 Adjusting the length of the legrest



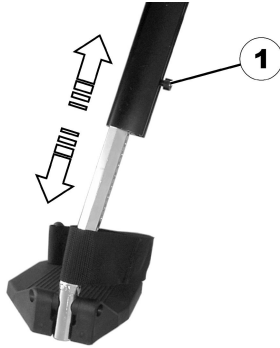
CAUTION!

Risk of injury due to incorrect adjustment of the footrests and legrests

– Before and during every journey it is imperative to ensure that the legrests contact neither the castor wheels nor the ground.



- 5 mm Allen key



1. Use the spanner to loosen the screw (1).
2. Adjust to the desired length.
3. Re-tighten the screw.

4.24.5 Adjusting the depth of the calf pad

The depth of the calf pad can be adjusted via the holding plate. The holding plate hole combinations allow 5 different depth settings.

1585725-J



- 10 mm wrench



1. Use the wrench to loosen the nut (1) and remove.
2. Adjust to the desired depth. Observe that the round holes are intended for the calf pad retaining screw and the oblong holes for the aglet without thread.
3. Screw the nut back on and tighten.

4.24.6 Adjusting the height of the calf pad



- 4 mm Allen key



1. Use the Allen key to loosen the screws (1).
2. Adjust to the desired position.
3. Re-tighten the screws.

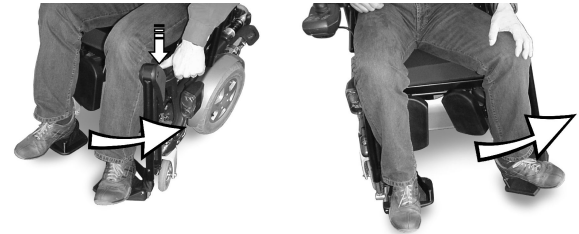
4.24.7 Unlocking and swivelling the calf pad backward when alighting

1.



Press the calf pad straight down.

2.



Unlock the legrest and swivel outward.
The calf pad swivels backward on its own.

3.

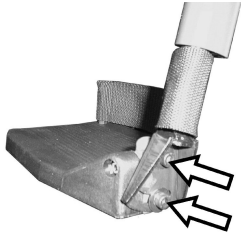


Lift leg over the heel strap and place on the ground.

4.24.8 Adjusting the angle-adjustable foot plate



- 5 mm Allen key
-



1. Use the Allen key to loosen both set screws on the foot plate.
2. Adjust to the desired angle.
3. Re-tighten the screws.

4.24.9 Adjusting the angle- and depth-adjustable foot plate



- 5 mm Allen key

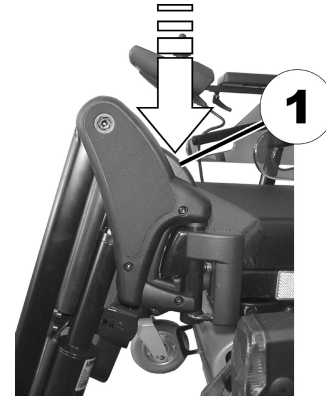


1. Use the Allen key to loosen the set screw on the foot plate (1).
2. Adjust the foot plate to the desired angle or depth.
3. Re-tighten the screw.

4.25 ADM legrests

4.25.1 Swivelling the legrest outward and/or removing

The small unlocking button is located on the upper section of the legrest. When the legrest is unlocked, it can be swivelled inward or outward when getting into wheelchair as well as being removed completely.



1. Press the unlocking button (1) and swivel the legrest outward.
2. Remove the legrest in an upward direction.

4.25.2 Setting the angle



CAUTION!

Risk of crushing

- Do not reach inside the swivelling range of the legrest.



CAUTION!

Risk of injury due to incorrect adjustment of the footrests and legrests

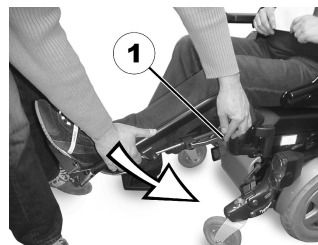
– Before and during every journey it is imperative to ensure that the legrests contact neither the castor wheels nor the ground.

Raising



1. Pull the legrest upward until the desired angle has been achieved.

Lowering



1. Keep the legrest in the foot plate area, pull the lateral adjusting lever (1) and lower the legrest slowly.

4.25.3 Adjusting the length of the legrest



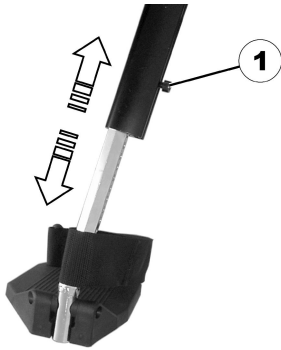
CAUTION!

Risk of injury due to incorrect adjustment of the footrests and legrests

– Before and during every journey it is imperative to ensure that the legrests contact neither the castor wheels nor the ground.



- 5 mm Allen key



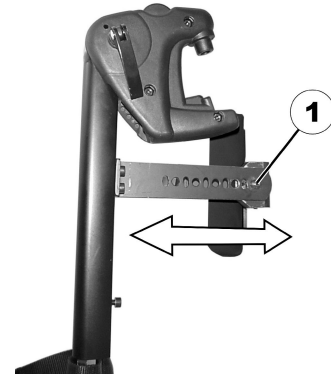
1. Use the spanner to loosen the screw (1).
2. Adjust to the desired length.
3. Re-tighten the screw.

4.25.4 Adjusting the depth of the calf pad

The depth of the calf pad can be adjusted via the holding plate. The holding plate hole combinations allow 5 different depth settings.



- 10 mm wrench



1. Use the wrench to loosen the nut (1) and remove.
2. Adjust to the desired depth. Observe that the round holes are intended for the calf pad retaining screw and the oblong holes for the aglet without thread.
3. Screw the nut back on and tighten.

4.25.5 Adjusting the height of the calf pad



- 4 mm Allen key



1. Use the Allen key to loosen the screws (1).
2. Adjust to the desired position.
3. Re-tighten the screws.

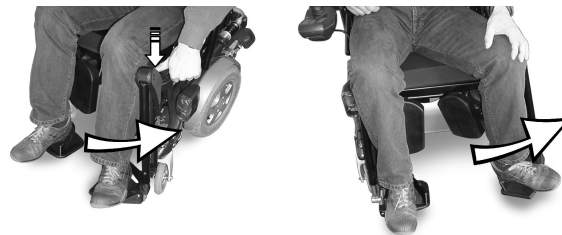
4.25.6 Unlocking and swivelling the calf pad backward when alighting

1.



Press the calf pad straight down.

2.



Unlock the legrest and swivel outward.
The calf pad swivels backward on its own.

3.

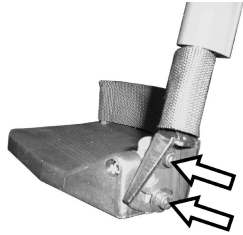


Lift leg over the heel strap and place on the ground.

4.25.7 Adjusting the angle-adjustable foot plate



- 5 mm Allen key
-



1. Use the Allen key to loosen both set screws on the foot plate.
2. Adjust to the desired angle.
3. Re-tighten the screws.

4.25.8 Adjusting the angle- and depth-adjustable foot plate



- 5 mm Allen key

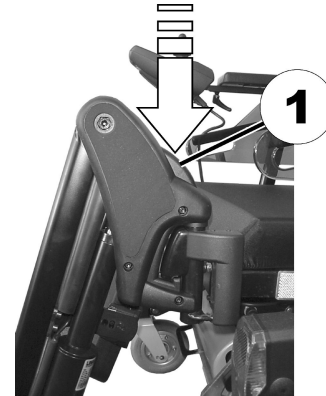


1. Use the Allen key to loosen the set screw on the foot plate (1).
2. Adjust the foot plate to the desired angle or depth.
3. Re-tighten the screw.

4.26 Powered elevating legrests (ADE legrests)

4.26.1 Swivelling the legrest outward and/or removing

The small unlocking button is located on the upper section of the legrest. When the legrest is unlocked, it can be swivelled inward or outward when getting into wheelchair as well as being removed completely.



1. Press the unlocking button (1) and swivel the legrest outward.
2. Remove the legrest in an upward direction.

4.26.2 Setting the angle



CAUTION!

Risk of crushing

- Do not reach inside the swivelling range of the legrest.



CAUTION!

Risk of injury due to incorrect adjustment of the footrests and legrests

- Before and during every journey it is imperative to ensure that the legrests contact neither the castor wheels nor the ground.

The electrically height-adjustable legrests are operated using the remote. Refer to the separate user manual for your remote for more information.

4.26.3 Adjusting the length of the legrest



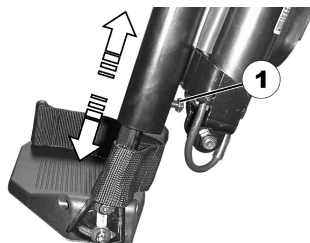
CAUTION!

Risk of injury due to incorrect adjustment of the footrests and legrests

- Before and during every journey it is imperative to ensure that the legrests contact neither the castor wheels nor the ground.



- 10 mm wrench



1. Use the wrench to loosen the screw (1).
2. Adjust to the desired length.
3. Re-tighten the screw.

4.26.4 Adjusting the depth of the calf pad

The depth of the calf pad can be adjusted via the holding plate. The holding plate hole combinations allow 5 different depth settings.



- 10 mm wrench



1. Use the wrench to loosen the nut (1) and remove.
2. Adjust to the desired depth. Observe that the round holes are intended for the calf pad retaining screw and the oblong holes for the aglet without thread.
3. Screw the nut back on and tighten.

4.26.5 Adjusting the height of the calf pad



- 4 mm Allen key



1. Use the Allen key to loosen the screws (1).
2. Adjust to the desired position.
3. Re-tighten the screws.

4.26.6 Unlocking and swivelling the calf pad backward when alighting

- 1.



Press the calf pad straight down.

- 2.



Unlock the legrest and swivel outward.
The calf pad swivels backward on its own.

- 3.

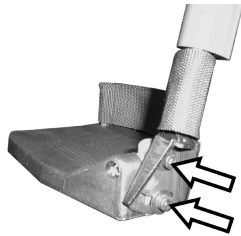


Lift leg over the heel strap and place on the ground.

4.26.7 Adjusting the angle-adjustable foot plate



- 5 mm Allen key



1. Use the Allen key to loosen both set screws on the foot plate.
2. Adjust to the desired angle.
3. Re-tighten the screws.

4.26.8 Adjusting the angle- and depth-adjustable foot plate



- 5 mm Allen key



1. Use the Allen key to loosen the set screw on the foot plate (1).
2. Adjust the foot plate to the desired angle or depth.
3. Re-tighten the screw.

4.27 Imperial to metric conversion chart

You can use this chart as an orientation to find the right tool size.

IMPERIAL	METRIC
inch	mm
5/64	1.9844
3/32	2.3813
7/64	2.7781
1/8	3.1750
9/64	3.5719
5/32	3.9688
11/64	4.3656
3/16	4.7625
13/64	5.1594
7/32	5.5563
15/64	5.9531
1/4	6.3500
17/64	6.7469
9/32	7.1438
19/64	7.5406
5/16	7.9375

IMPERIAL	METRIC
inch	mm
21/64	8.3344
11/32	8.7313
23/64	9.1281
3/8	9.5250
25/64	9.9219
13/32	10.3188
27/64	10.7156
7/16	11.1125
29/64	11.5094
15/32	11.9063
31/64	12.3031
1/2	12.7000
33/64	13.0969
17/32	13.4938
35/64	13.8906
9/16	14.2875
37/64	14.6844
19/32	15.0813
39/64	15.4781

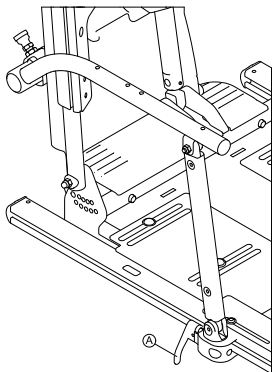
IMPERIAL	METRIC
inch	mm
5/8	15.8750
41/64	16.2719
21/32	16.6688
43/64	17.0656
11/16	17.4625
45/64	17.8594
23/32	18.2563
47/64	18.6531
3/4	19.0500
49/64	19.4469
25/32	19.8438
51/64	20.2406
13/16	20.6375
53/64	21.0344
27/32	21.4313
55/64	21.8281
7/8	22.2250

5 Usage

5.1 Rotating/Removing Recline Armrest

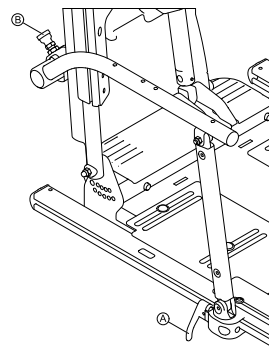
Rotating Armrest

For side transfers, the recline armrest can be rotated backwards around the pivot pin in the armrest receiver.



1. Unlock the lever lock (A) at the front of the armrest.
2. Lift up on the armrest so that it pivots back around the armrest receiver/pin.

Removing Armrest

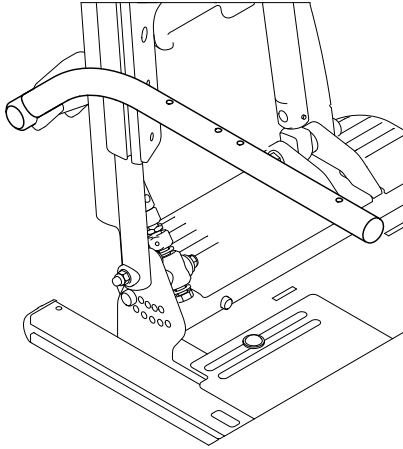


1. Unlock the lever lock (A) at the front of the armrest and disengage the pivot arm.
2. Pull outward on the plunger (B) at the rear pivot of the armrest.
3. Remove the armrest assembly.

5.2 Rotating Cantilever Armrest

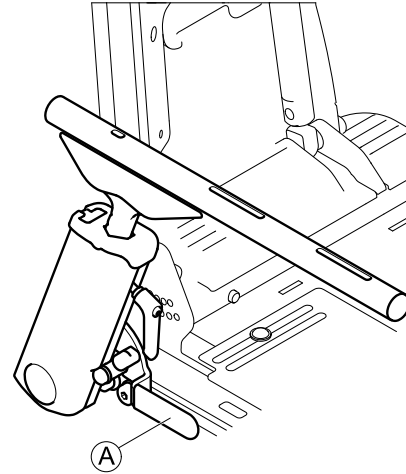
For side transfers, cantilever armrests can be rotated backwards around the pivot pin in the armrest receiver.

Backpost Mounted Flip Back Cantilever Armrest



1. Lift up on armrest so that it pivots back around armrest receiver/pin.

Ultra Rail Mounted Flip Back Cantilever Maxx Armrest



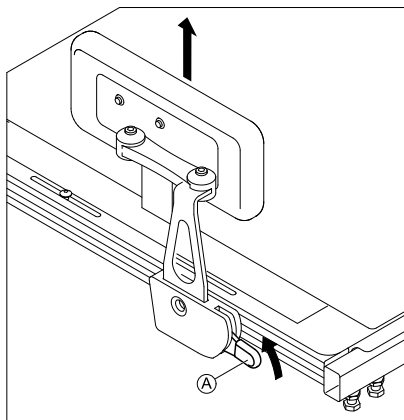
1. Pull release lever **A** and lift up on armrest so that it pivots back.



When lowering armrest, make sure it engages with an audible click.

5.3 Removing/inserting hip support with quick release

Removing hip support



1. Pull lever Ⓐ upwards.
2. Remove hip support from holder.

Inserting hip support

1. Insert hip support in holder.
2. Push lever Ⓐ downwards.
Ensure that hip support locks with an audible click.

5.4 Using LNX powered center-mounted legrest with telescoping footboard

Adjusting angle



WARNING!

Pinch point

- Risk of pinching when adjusting legrest angle.
- Keep top of legrest clear when adjusting legrest angle.

Lowering footboard



Risk of damage to floor

- Lowering footboard until preset point could damage floor.
- Stop lowering footboard when it touches the floor.

You can lower the telescoping footboard until a preset point. Depending on the wheelchair configuration, this point might not exactly fit the seat-to-floor height but end a few millimeters above or push a few millimeters into the floor.

Drive lockout



Risk of damage to wheelchair

- Driving the wheelchair with lowered footboard could damage the legrest.
- As soon as you move the footboard, a drive lockout engages.

1. To disengage drive lockout, retract footboard to top position.

5.5 Swivelling Remote to Side

If your mobility device is fitted with a swivelling remote holder, then the remote can be moved away to the side, for example, to drive up close to a table.

Swing-Away Remote Holder

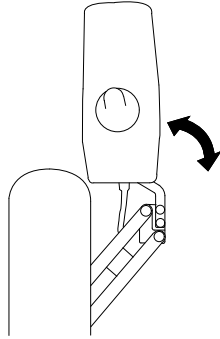


Fig. 5-1

1. Push remote to swivel remote holder to the side.

Swing In/Out Remote Holder

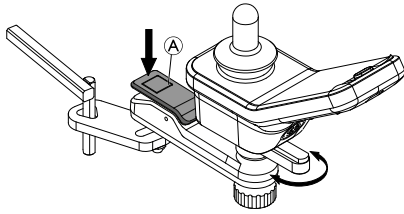
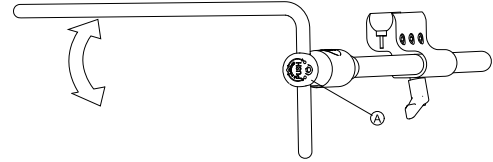


Fig. 5-2

1. Push release button **A** to swing remote in or out.

5.6 Swivelling Nucleus Midline Holder to Side

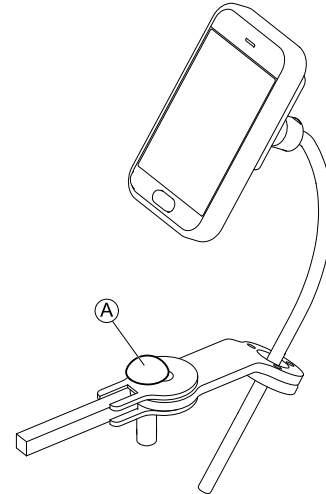


1. Push button **A** and swivel up or down nucleus.

5.7 Swivelling Swing-Away Display Holder to Side



The swing-away display holder only locks in place when swivelled to its default position.



1. Push knob **A** and swivel display holder to side.

6 Maintenance

6.1 Maintenance schedule

To ensure the optimal safety and reliability of your power positioning system, adhere to the maintenance schedule/table below. In addition to the maintenance schedule, note the following maintenance tasks and safety warnings that should be incorporated into your daily routine.



WARNING!

Any sudden or gradual deterioration in the function/performance of your power positioning system (i.e. increased actuator motor/gearbox noise, rattling, sloppiness, etc.) must be reported to your dealer immediately

– A complete wheelchair inspection by a qualified technician is recommended to ensure there is no unusual wear and tear, or physical damage that requires servicing and/or repair.



To ensure your power positioning system is operating properly and safely, Invacare recommends a complete dealer inspection be performed on your power positioning system every six (6) months by a qualified technician.



Be certain to read and follow all maintenance and safety information specific to your wheelchair power base. Refer to your wheelchair's user manual (provided separately).

Daily maintenance:

- Check that all switches (push buttons/toggles) that operate your power positioning system are functioning properly.
- Charge batteries (refer to your wheelchair's user manual for important information on battery charging and proper battery care).

Monthly inspection checklist:

- Electrical / Wiring harnesses:
 - Check for pinches or pulls in wiring (over full range of seating system)
 - Inspect for wear & tear damage to wires
 - Ensure connections are secure
- Upholstery:
 - Check all upholstered parts for damage and wear
 - Check all covers especially near metal parts for damage and wear
- Hardware and components:
 - Inspect mounting hardware (seating system to base)
- Limit switches:
 - Check limit switch settings
 - Ensure DLO functions correctly

6.2 After Use

6.2.1 Disposal

Be environmentally responsible and recycle this product through your recycling facility at its end of life.

Disassemble the product and its components, so the different materials can be separated and recycled individually.

The disposal and recycling of used products and packaging must comply with the laws and regulations for waste handling in each country. Contact your local waste management company for information.

6.2.2 Reconditioning

This product is suitable for reuse. To recondition the product for a new user, carry out the following actions:

- Inspection
- Cleaning and disinfection
- Adaptation to the new user

For detailed information, see *6 Maintenance, page 72* and the service manual for this product.

Make sure that the user manual is handed over with the product.

If any damage or malfunction is detected, do not reuse the product.

7 Troubleshooting

7.1 Performance Troubleshooting



For additional troubleshooting information regarding the power wheelchair & electronics, refer to the Troubleshooting section of the power wheelchair and remote user manuals (provided separately).

Symptom	Probable cause	Solutions
Wheelchair power is ON, but system does not drive	System tilted and/or elevated beyond the drive lockout (DLO) angle Drive motors not engaged LNx powered center-mounted legrest with telescoping footboard lowered	Return seating system to neutral (home) position. Engage drive motors. Retract footboard to top position.
Seating system not functioning	Low batteries Loose/faulty electrical connection Blown fuse Interference/obstructions, pinched wires	Check/charge/replace batteries. Contact your provider. Check cable connections/check cable ties (too tight/too loose). Contact your provider. Inspect/replace fuse. Contact your provider. Check for sources of interference or obstructions/inspect cables for pinch points. Contact your provider.

Symptom	Probable cause	Solutions
Intermittent seating system functions (day to day, during tilt, during recline...)	<p>Loose/faulty electrical connection</p> <p>Faulty power harness</p> <p>Faulty limit switch</p> <p>Nearly exhausted battery (fluctuating charge)</p>	<p>Check cable connections/check cable ties (too tight/too loose).</p> <p>Check/replace power harness.</p> <p>Contact your provider.</p> <p>Check/replace limit switch.</p> <p>Contact your provider.</p> <p>Check/replace battery.</p> <p>Contact your provider.</p>
Drive lockout (DLO) is not functioning	<p>Loose/faulty electrical connection</p> <p>DLO limit switch/mechanical switch is not set properly</p> <p>Faulty DLO limit switch</p>	<p>Check connections.</p> <p>Contact your provider.</p> <p>Contact your provider.</p> <p>Contact your provider.</p>
Limit switch not functioning properly	<p>Loose/faulty electrical connection</p> <p>Faulty limit switch</p> <p>Limit switch is not set-up properly</p>	<p>Check connections.</p> <p>Contact your provider.</p> <p>Check/replace limit switch.</p> <p>Contact your provider.</p> <p>Contact your provider.</p>

Symptom	Probable cause	Solutions
System only operates in one direction	Limit is exceeded (DLO, RDS, back angle, elevating seat lockout) Faulty limit switch Limit switch is not set-up properly Low voltage Battery not charged	Come within limit ranges. Check/replace limit switch. Contact your provider. Contact your provider. Contact your provider. Charge batteries.
Remote will not function	Remote not plugged in Remote not turned on Blown base fuse	Inspect cable connection. Turn on power to the remote via the keypad. Inspect/replace fuse. Contact your provider.
Actuator keeps running	Pinched switch harness	Inspect/adjust harness position to prevent pinching. Contact your provider.

8 Technical Data

8.1 Technical Specifications

The technical information provided hereafter applies to a standard configuration or represents maximum achievable values. These can change if accessories are added. The precise changes to these values are detailed in the sections for the respective accessories.



Note that in some cases the measured values may vary up to ± 10 mm.



For more technical data of the power wheelchair see the user manual of your wheelchair.

Dimensions Ultra Low Maxx Seating System

Dimensions According to ISO 7176-15	Power Wheelchair		
	TDX SP2	Storm ⁴	AVIVA RX
Seat Width	<ul style="list-style-type: none"> • 405 mm • 430 mm • 455 mm • 480 mm • 505 mm • 530 mm • 555 mm • 580 mm (TDX SP2/Storm⁴) • 610 mm (TDX SP2/Storm⁴) 		
Seat Depth	<ul style="list-style-type: none"> • 380 mm (Storm⁴) • 405 mm • 430 mm • 455 mm • 480 mm • 505 mm • 530 mm • 555 mm • 580 mm 		
Seat Cushion Thickness	<ul style="list-style-type: none"> • 75/90/100 mm 		
Back Cane Heights	Fixed angle setting only: <ul style="list-style-type: none"> • 18° - 24° (straight back canes) • 20° - 24° (angled back canes) 		
Backrest Height ¹	<ul style="list-style-type: none"> • 355 mm - 505 mm (depending on backrest option) 		

Dimensions According to ISO 7176-15	Power Wheelchair		
	TDX SP2	Storm ⁴	AVIVA RX
Finished Backrest Height ¹	<ul style="list-style-type: none"> 455 mm - 635 mm (tilt-only systems) 505 mm - 685 mm (recline systems) 		
Back Cane Angle	Fixed angle setting only: <ul style="list-style-type: none"> 75° - 116° (straight back canes) 81° - 121° (angled back canes) 		
Backrest Angle	<ul style="list-style-type: none"> 90° ... 168° 82° ... 162° (8° precline mount) 60° ... 140° (30° precline mount) 	<ul style="list-style-type: none"> 90° ... 170° 82° ... 162° (8° precline mount) 60° ... 140° (30° precline mount) 	
Recline Armrest Height ²	<ul style="list-style-type: none"> 240 mm - 330 mm/320 mm - 405 mm (backpost mounted flip back cantilever armrest) 230 mm - 330 mm/330 mm - 405 mm (two-post flip back recline armrest) 		
Tilt Armrest Height ³	<ul style="list-style-type: none"> 230 mm - 320 mm (Ultra Rail mounted flip back cantilever Maxx armrest) 		
Armrest Depth ⁴	<ul style="list-style-type: none"> 250 mm - 590 mm 	<ul style="list-style-type: none"> 230 mm - 470 mm 	
Armrest Length	<ul style="list-style-type: none"> 255 - 355 mm 		
Powered Tilt	<ul style="list-style-type: none"> 0° ... 50° (standard mount) -5° ... 45° (with 5° fixed anterior mount) -10° ... 40° (with 10° fixed anterior mount) 5° ... 55° (with 5° fixed posterior mount) 		
Powered Tilt With Lifter	<ul style="list-style-type: none"> 0° ... 45° (standard mount) -5° ... 40° (with 5° fixed anterior mount) -10° ... 35° (with 10° fixed anterior mount) 5° ... 50° (with 5° fixed posterior mount) 		
Seat Angle, Manual Adjustment	<ul style="list-style-type: none"> 0° ... 8° 		

Footrests and Legrests		
Vari F	Length	• 290 mm - 460 mm
	Angle	• 70° - 0°
Vari A	Length	• 290 mm - 460 mm
	Angle	• 70° - 0°
ADE (powered)	Length	• 290 mm - 460 mm
	Angle	• 80° - 0°
ADM (manual)	Length	• 290 mm - 460 mm
	Angle	• 80° - 0°
Pivot Plus	Length	• 365 mm - 465 mm
	Angle	• 80° - 20°
Centre-Mounted (manual)	Length	• 310 mm - 410 mm
	Angle	• 90° - 0°
Centre-Mounted Powered LNX	Length	• 340 mm - 410 mm
	Angle	• 97° - 7° • 90° - 0° • 83° - -7°

- 1 Measured without seat cushion
- 2 Armrests only available on reclining systems.
- 3 Armrests only available on tilt-only systems.
- 4 Distance between backrest reference plane and most forward part of armrest assembly

**Australia:**

Invacare Australia Pty. Ltd.
Unit 18/12 Stanton Road,
Seven Hills, NSW 2147,
Australia
Phone: 1800 460 460
Fax: 1800 814 367
orders@invacare.com.au
www.invacare.com.au

United Kingdom:

Invacare Limited
Pencoed Technology Park, Pencoed
Bridgend CF35 5AQ
Tel: (44) (0) 1656 776 222
Fax: (44) (0) 1656 776 220
uk@invacare.com
www.invacare.co.uk

Canada:

Invacare Canada L.P.
570 Matheson Blvd East, Unit 8
CDN Mississauga, On. L4Z 4G4
Phone: (905) 890 8300
Toll Free: 800.668.5324
www.invacare.ca

EU Export:

Invacare GmbH
Am Achener Hof 8
D-88316 Isny
Tel: (49) 7562 700 397
eu-export@invacare.com
www.invacare.eu.com

Ireland:

Invacare Ireland Ltd,
Unit 5 Seatown Business Campus
Seatown Road, Swords, County Dublin
EirCode: K67 K271 — Ireland
Tel : (353) 1 810 7084
Fax: (353) 1 810 7085
ordersireland@invacare.com
www.invacare.ie

New Zealand:

Invacare New Zealand Ltd
4 Westfield Place, Mt Wellington 1060
New Zealand
Phone: 0800 468 222
Fax: 0800 807 788
sales@invacare.co.nz
www.invacare.co.nz

1585725-J 2021-10-06



Making Life's Experiences Possible®



Yes, you can.®