



Etac UK 0(121)561-2222 | orders.uk@etac.com |
www.kimobility.com | www.etac.com



Company:

Ship To:

Account Number:

Date:

Address:

Quote: PO Number:

City:

State:

ATP:

Zip:

Phone:

Marked For:

Email/Fax:

Associated Quote/Order#:

Submit Form

Effective: 1/10/2024

Little Wave Arc - Rigid Base [ARRGD] £3250

Little Wave Arc - Folding Base [ARFLD] £3250

165 lb weight capacity Price includes one time free growth kit Tilt range: 0° - 45°
Maximum Seat Width of 18"

Frame

Frame Width

Select box corresponding to desired Frame Width

Frame Width Range	Frame Width		
Small 10" - 12" [ARFRW004]	10 [ARSWT010]	11 [ARSWT011]	12 [ARSWT012]
Medium 12" - 14" [ARFRW005]	12 [ARSWT012]	13 [ARSWT013]	14 [ARSWT014]
Large 14" - 16" [ARFRW006]	14 [ARSWT014]	15 [ARSWT015]	16 [ARSWT016]
X-Large 16" - 18" [ARFRW007]	16 [ARSWT016]	17 [ARSWT017]	18 [ARSWT018]

Frame Depth

Select Frame Depth within desired Frame Depth Range

Frame Depth	Frame Width			
X-Short 12" - 15" [ARFDR013]	12 [ARSDE012] N/C	13 [ARSDE013] N/C	14 [ARSDE014] N/C	15 [ARSDE015] N/C
Short 14" - 17" [ARFDR014]	14 [ARSDE014] N/C	15 [ARSDE015] N/C	16 [ARSDE016] N/C	17 [ARSDE017] N/C
Medium 16" - 19" [ARFDR015]	16 [ARSDE016] N/C	17 [ARSDE017] N/C	18 [ARSDE018] N/C	19 [ARSDE019] N/C
Long 18" - 20" [ARFDR016]	18 [ARSDE018] N/C	19 [ARSDE019] N/C	20 [ARSDE020] N/C	

Transit Option

Transit System [ARTRNOPT] £296
Omit Transit [ARTRNOP2] N/C

Offset Hanger Option

Offset Hanger [ARHAN015] £37
Not available with X-Short 15" Frame Depth.

Tilt Mechanism

Hand Tilt - Right [ARTLT002] N/C
Hand Tilt - Left [ARTLT003] N/C
Hand Tilt - Dual [ARTLT008] N/C
Foot Tilt - Right [ARTLT004] N/C
Foot Tilt - Left [ARTLT005] N/C

Seat Pan

Growing Solid Seat Pan [ARACC004] N/C
Omit Seat Pan [ARACC021] N/C

Vent and Battery Tray

Requires Rigid Base and Anti-Tips. Not available on frame widths less than 16" or Attendant Foot Lock or Foot Tilt.

Vent Tray [ARACC016] £303
Battery Box Holder [ARACC017] £303
Not available with X-Short Frame Depth Range.
Vent Tray and Batter Box Holder [ARACC037] £604
Not available with X-Short Frame Depth Range or Foot Tilt or Drum Brake or Hemi Wheel Lock. Must remove Ventilator and Battery for transit. Includes extended frame.

Backrest

Back Post / Height Range / Back Height

Stroller Handle Back Post (Short 20") (Folding) [ARBOP016]	£110
Stroller Handle Back Post (Tall 24") (Folding) [ARBOP017]	£110
Fixed Height Back with Folding Adjustable Handle (Short 22") (Folding) [ARBOP030]	N/C
<i>Not available with Dynamic Back.</i>	
Fixed Height Back with Folding Adjustable Handle (Tall 26") (Folding) [ARBOP031]	N/C
<i>Not available with Dynamic Back.</i>	
Reclining Back with Folding Adjustable Handle (Short 22") (Folding) (E1225) [ARBOP020]	£876
<i>Not available with Dynamic Back or O2 Holder. Includes extended frame. Requires Anti-tips.</i>	
Reclining Back with Folding Adjustable Handle (Tall 26") (Folding) (E1225) [ARBOP021]	£876
<i>Not available with Dynamic Back or O2 Holder. Includes extended frame. Requires Anti-tips.</i>	
Adjustable Height Back with Folding Adjustable Handle (Short 18" - 25") [ARBOP018]	N/C
<i>Not available with Dynamic Back.</i>	
Adjustable Height Back with Folding Adjustable Handle (Tall 20" - 27") [ARBOP019]	N/C
<i>20"-22" Heights not available with Dynamic Back.</i>	

Adjustable Height Back Post Height

18" Back Height [ARBRH180]	19" Back Height [ARBRH190]
20" Back Height [ARBRH200]	21" Back Height [ARBRH210]
22" Back Height [ARBRH220]	23" Back Height [ARBRH230]
24" Back Height [ARBRH240]	25" Back Height [ARBRH250]
26" Back Height [ARBRH260]	27" Back Height [ARBRH270] N/C

Stroller Handle Extensions

Available only with Stroller Handle Back Post

Removable Stroller Handle Extension [ARBOP012]	£127
--	------

Other Backrest Options

Non Folding Back [ARBCK005]	N/C
<i>Standard with Dynamic Back.</i>	
Dynamic Back (E2398) [ARBOP014]	£1932
<i>Not available with Flip Up Armrests. Available only with Non Folding Back.</i>	
Adjustable Height Rigidizer Bar [ARBCK001]	£73
<i>Not available with Folding Base</i>	
Adjustable Height Folding Rigidizer Bar [ARBCK012]	£266
<i>Not available with Reclining Back or Rigid Base</i>	

Footrest

Footrest Hanger Type

Hanger	70°	80°	90°		Retail
Extension Tube Mount	[ARHAN002]	[ARHAN003] ¹			N/C
Front Mount	[ARHAN016]	[ARHAN017 1]	[ARHAN004 2]		N/C
Pro Elevating Leg Rests				[ARHAN044]	£285
Pediatric Pro Elevating Leg Rests ²				[ARHAN045]	£285
Omit Hangers				[ARHAN046]	N/C

¹ Not available with 7" or 8" casters with Offset Hangers or 8" casters with Aluminum Angle Adjustable Footplates

² Not available with Frame Widths less than 14" without Offset Hangers or Frame Widths less than 12" with Offset Hangers

PRO ELR Cover

Available only on PRO ELR.

Gel Pad Covers (PAIR) [ARELRPAD]	£304
----------------------------------	------

3" Extension

Available only with Front Mount Hangers. Not available with 90° hangers in combination with Offset Hangers and 8" casters.

3" Extension [AREXT008]	£49
3" Extension (Provided as Parts) [AREXT018]	£49

Footrest / Extension / Seat to Footrest Length

Select Extension and Seat to Footrest Length in row corresponding to desired Footrest. Footrest Length of at least 2.5" shorter than Front Seat Height recommended. Extension Tube Hanger measurements based on 70° Hanger Bend.

Footrest	Extension	Seat to Footrest Length																		
		10"	10.5"	11"	11.5"	12"	12.5"	13"	13.5"	14"	14.5"	15"	15.5"	16"	16.5"	17"	17.5"	18"		
Extension Tube Hangers (70°,80°)	Short (10" - 13.5")	10"	10.5"	11"	11.5"	12"	12.5"	13"	13.5"	14"	14.5"	15"	15.5"	16"	16.5"	17"	17.5"	18"		
	Medium (11.5" - 15.5")	11.5"	12"	12.5"	13"	13.5"	14"	14.5"	15"	15.5"	16"	16.5"	17"	17.5"	18"					
	Long (14" - 18")	14"	14.5"	15"	15.5"	16"	16.5"	17"	17.5"	18"										
Front Mount Hangers ¹	Standard Selections																	Requires 3" Extension		
	Short Front Mount Hanger	4" ⁵	4.5" ⁵	5"	5.5"	6"												8.5"	9"	9.5"
		6.5"	7"	7.5"	8"													10"	10.5"	11"
	Medium Front Mount Hanger	4" ⁵	4.5" ⁵	5"	5.5"	6"	6.5"	7"										10.5"	11"	11.5"
		7.5"	8"	8.5"	9"	9.5"	10"											12"	12.5"	13"
	Long Front Mount Hanger	5"	5.5"	6"	6.5"	7"	7.5"	8"	8.5"									12.5"	13"	13.5"
9"		9.5"	10"	10.5"	11"	11.5"	12"										14"	14.5"	15"	
Peds PRO ELR 2 ²	Low Pivot Setting	6" ³	6.5" ³	7" ³	7.5" ³	8" ⁴	8.5"	9"	9.5"	10"	10.5"	11"	11.5"							
	High Pivot Setting	6" ³	6.5" ³	7" ³	7.5" ³	8" ⁴	8.5"	9"	9.5"	10"										
PRO ELR Low Pivot Setting	PRO ELR Low Pivot Setting Short (10.5" - 15.5")	10.5" - 15.5"																		
	PRO ELR Low Pivot Setting Long (13" - 19")	13" - 19"																		
PRO ELR High Pivot Setting	PRO ELR High Pivot Setting Short (8.5" - 17")	8.5" - 17"																		
	PRO ELR High Pivot Setting Long (11.5" - 17.5")	11.5" - 17.5"																		

¹ See Minimum Front Seat Height chart to the right

² Comes standard with 3" Extension

³ Not available on chairs 13" wide or more

⁴ Not available on chairs 15" wide or more

⁵ Available only with 90° Front Mount Hangers

Minimum Front Seat Height with Front Mount Hangers						
Hanger Length	Short		Medium		Long	
	70°	80/90°	70°	80/90°	70°	80°
Minimum Front Seat Height with Standard Selection	14.5"	14.5"	14.5"	14.5"	14.5"	15.5"
Minimum Front Seat Height with 3" Extension	14.5"	14.5"	15.5"	16"	17"	18"

Footplate

No selection needed with Contracture Footrest.

Composite [ARFPL001]	N/C
<i>Not available with Front Mount Hanger, Frame Widths less than 14" without Offset Hangers, Frame Widths less than 12" with Offset Hanger.</i>	
Composite Angle Adjustable [ARFPL014]	£182
<i>Not available with Front Mount Hanger or 10"-12" Frame Widths. 13" and 14" Frame Widths require Offset Hanger.</i>	
Aluminum Angle Adjustable [ARFPL002]	N/C
Aluminum Locking Multi Angle Adjustable [ARFPL020]	£303
<i>Available only with Front Mount Hanger.</i>	

Heel Loops

Not available with One Piece Flip Up Angle Adjustable Footplate.

Heel Loops [ARACC008]	£43
<i>Not available with Frame Widths less than 14" without Offset Hangers or Frame Widths less than 12" with Offset Hangers.</i>	
Adjustable Heel Loops [ARACC029]	£49
Omit Heel Loops [ARACC011]	N/C

Calf Straps

Velcro Adjustable [ARACC002]	£49
Padded Velcro Adjustable [ARACC003]	£67
Bodypoint Padded AeroMesh [ARACC010]	£103

Hanger Release

No selection needed with Contracture Footrest. If no selection is made

4-Way - In line will be used.

Classic [ARRELO01]	N/C
4-Way - In-Line [ARRELO02]	N/C
<i>Allows chair to be folded without removing footrest hanger. Not available with PRO ELR or Peds PRO ELR.</i>	
4-Way - Out [ARRELO03]	N/C
<i>Not available with PRO ELR or Peds PRO ELR.</i>	

Residual Limb Support

	Limb Support	Price	Omit	Cover		Pad Size					
Left	Left Limb Support	£182	Omit Left Hanger [ARRLS004]	Smooth [ARRLS006]	Air Mesh [ARRLS007]	5 x 8 [ARRLS008]	7 x 10 [ARRLS009]	9 x 10 [ARRLS010]	9 x 14 [ARRLS011]	11 x 10 [ARRLS012]	11 x 14 [ARRLS013]
Right	Right Limb Support	£182	Omit Right Hanger [ARRLS005]	Smooth [ARRLS020]	Air Mesh Cover [ARRLS021]	5 x 8 [ARRLS014]	7 x 10 [ARRLS015]	9 x 10 [ARRLS016]	9 x 14 [ARRLS017]	11 x 10 [ARRLS018]	11 x 14 [ARRLS019]

Seat Height, Casters, and Rear Wheels

Seat Height

Select Seat Height corresponding to desired Rear Wheel and Caster Size

Rear Wheel Size	Caster Size			
	5"	6"	7"	8"
12" with Pneumatic or Pneumatic with Airless Insert Tire	Seat Height			
	14.5"			
	15"			
	15.5"	15.5"		
	16"	16"		
12" with Full Poly Tire	14.5"			
	15"			
	15.5"	15.5"		
	16"	16"		
12" with Drum Brake	14.5"			
	15"			
	15.5"	15.5"		
	16"	16"		
16" with Pneumatic, Pneumatic with Airless Insert or Full Poly Tire	14.5"			
	15"			
	15.5"	15.5"		
	16"	16"		
	16.5"	16.5"		
	17"	17"	17"	
	17.5"	17.5"	17.5"	
	18"	18"	18"	18"
18.5"	18.5"	18.5"	18.5"	

MAXX Mag Wheel Color

Rear Wheel Size	Caster Size			
	5"	6"	7"	8"
16" With Low Poly Tire	Seat Height			
	14.5"			
	15"			
	15.5"	15.5"		
	16"	16"		
	16.5"	16.5"		
16" with Drum Brake	17"	17"	17"	
	17.5"	17.5"	17.5"	
	15"			
	15.5"	15.5"		
	16"	16"		
20"	16.5"	16.5"		
	17"	17"	17"	
	17.5"	17.5"	17.5"	
	18"	18"	18"	18"
	18.5"	18.5"	18.5"	18.5"
	19"	19"	19"	19"
	15"			
	15.5"	15.5"		
	16"	16"		

Casters

Caster Type		Caster Size				
		Price	5"	6"	7"	8"
Caster Type	.75" Lighted Rollerblade	£86	[ARCAS033]			
	1" Poly	N/C	[ARCAS010]	[ARCAS014]	[ARCAS019]	[ARCAS020]
	1" Poly Aluminum	£61	[ARCAS011]			
	1" Pneumatic	£61		[ARCAS017]		[ARCAS021]
	1.5" Poly	N/C	[ARCAS025]	[ARCAS026]		
	1.5" Soft Roll Aluminum	£61	[ARCAS013]	[ARCAS016]		
	2" Poly	N/C		[ARCAS024]		

Wheels

Rear Wheel Type		Rear Wheel Size			
		Price	12"	16"	20" ¹
Rear Wheel Type	Mag	N/C	[ARWHE112]	[ARWHE116]	[ARWH1220]
	Colored Mag ²	£182			[ARWH1320]
	MAXX Spoke	£121			[ARWH1120]

¹ Not available with Attendant Foot Lock

² Mag color selection is on page 7

Axles

No selection needed with Drum Brake.

Fixed [ARAXO002]	N/C
Quick Release [ARAXO003]	N/C

Rear Tire Type

Low Poly [ARTIRO03]	N/C
<i>Available only with 16" wheel size.</i>	
Full Poly [ARTIRO02]	N/C
Pneumatic [ARTIRO01]	N/C
Pneumatic with Airless Insert [ARTIRO04]	£121

Handrims

Handrims not available on 12" or 16" wheel sizes.

Aluminum Anodized [ARHRM001]	N/C
Plastic Coated [ARHRM002]	£97
Omit Handrim [ARHRM012]	N/C

Wheel Locks

Wheel Lock

Push to Lock [ARWLK002]	N/C
Pull to Lock [ARWLK003]	N/C
<i>Not available with 12" or 16" Full Poly tires.</i>	
Attendant Foot Lock [ARWLK011]	£121
<i>Not available with 20" wheels. Mounted to the right side unless Foot Tilt - Right is selected.</i>	
Drum Brake [ARWLK015]	£532
<i>Available only with 12" Mag, 16" Mag, or MAXX Spoke wheels. Not available with 16" Low Poly tire or Recline Back or Vent and Battery Tray or Hand Tilt. Axle is Quick Release.</i>	
Dual - Drum Brake with Push to Lock [ARWLK016]	£653
<i>Available only with 12" Mag, 16" Mag, or MAXX Spoke wheels. Not available with 16" Low Poly tire or Recline Back or Vent and Battery Tray or Hand Tilt. Axle is Quick Release.</i>	
Dual - Drum Brake with Pull to Lock [ARWLK017]	£653
<i>Available only with 12" Mag, 16" Mag, or MAXX Spoke wheels. Not available with 16" Low Poly tire or Recline Back or Vent and Battery Tray or Hand Tilt. Axle is Quick Release.</i>	
Hemi Wheel Lock - Right [ARWLK024]	£303
<i>Not available with 20" wheels. Extension Handle included.</i>	
Hemi Wheel Lock - Left [ARWLK023]	£303
<i>Not available with 20" wheels. Extension Handle included.</i>	
Omit [ARWLK008]	N/C

Wheel Lock Options

Extension Handles [ARWLK004]	£55
<i>Available only with Push to Lock or Pull to Lock Wheel Locks.</i>	

Armrest

Armrest Type	Length		Price
Height Adjustable T-Arm Tall (11.5"-15")	Desk	[ARARM039]	£272
	Full	[ARARM040]	
Height Adjustable Pediatric 1 ¹	Desk(6.5"-9")	[ARARM014]	N/C
	Desk Tall(8"-10.5")	[ARARM024]	
Height Adjustable T-Arm (8.5"-13.5") 2 ²	Desk	[ARARM003]	£272
	Full	[ARARM004]	
Height Adjustable T-Arm Low (6.5"-10.5") 3 ³	Desk	[ARARM022]	£272
	Full	[ARARM023]	

1 Best fit with Frame Depths less than 14"
 2 Not available with 12" Frame
 3 Not available with 12" Frame Depth. If requested configuration is unavailable, Standard Height T-Arm will be used.
 4 Not available with Dynamic Back. Available only with 12" and 16" Rear Wheels.
 5 Not available with Dynamic Back, Reclining Back or Arm Pads

Armrest Type	Length		Price
Angle Adjustable Locking Extendable Flip Up ⁴	Desk	[ARARM010]	£272
	Full	[ARARM011]	
Tubular Flip Up ⁵		[ARARM015]	N/C
Omit Armrests		[ARARM007]	N/C

Arm Pads

Standard Arm Pad [ARARM026]	N/C
Waterfall Arm Pad [ARARM020]	£30
<i>Not available with Angle Adjustable Locking Extendable Flip Up Armrest.</i>	
Foam Grip [ARARM025]	N/C
<i>Available only with Angle Adjustable Locking Extendable Flip Up Armrest.</i>	

Accessories

Removable Side Guards

Not available with Height Adjustable Armrests.

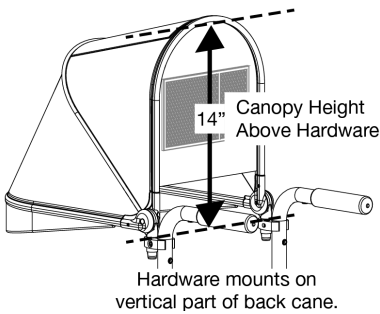
Adult Composite Side Guards (14" - 16") [ARSDG002]	£170
Pediatric Composite Side Guard (10" - 14") [ARSDG001]	£170

Pelvic Positioning Belts

1" Auto Buckle Pelvic Positioning Belt [ARPOB004]	£55
1" Padded Auto Buckle Pelvic Positioning Belt [ARPOB005]	£151
1 1/2" Auto Buckle Pelvic Positioning Belt [ARPOB001]	£55
1 1/2" Padded Auto Buckle Pelvic Positioning Belt [ARPOB002]	£151
2" Airline Buckle Pelvic Positioning Belt [ARPOB003]	£110
Small Bodypoint Evoflex (16-24") [ARPOB007]	£188
Medium Bodypoint Evoflex (19-29") [ARPOB008]	£188
Large Bodypoint Evoflex (25-37") [ARPOB009]	£188

Belt Mounting Kit

Belt Mounting Band Clamp [ARACC054]	£103
Seat Belt Mounting Hardware [ARACC024]	£17



Anti-Tips

Rear Anti Tips [ARATP001]	£212
Omit [ARATP000]	N/C

Spoke Guards

Available only with MAXX Spoke

Clear Spoke Guards (K0065) [ARSPG001]	£151
Blue Monster Spoke Guards [ARSPG003]	£182
Robo Fun Spoke Guards [ARSPG004]	£182
Tutu Cute Spoke Guards [ARSPG005]	£182
Tuxedo Time Spoke Guards [ARSPG008]	£182

Other Accessories

Tool Kit [ARACC005]	£20
Removable Underseat Pouch [ARACC015]	£30
Pediatric Ki Mobility Backpack [ARACC026]	£100
Ki Mobility Backpack [ARACC009]	£100
Black Neoprene Impact Guards [ARIMG001]	£49
Tilt Stop Posterior (Pair) [ARTLT010]	£30
Tilt Stop Anterior (Pair) [ARTLT011]	£30
IV Pole [ARACC022]	£320
O2 Holder [ARACC018]	£303
<i>Mounted to the left side. Must remove tank for transit.</i>	
Canopy with Hardware [ARACC042]	£272
<i>See image to the left.</i>	

Color

Select desired base frame and seat frame / hanger colors. If no Seat Frame color is selected, Base Frame color will be used.

Options	Price	Colors																				
		Gloss												Matte								
		Black	Blue Skies	Bubblegum Pink	Candy Blue	Candy Purple	Candy Red	Copper	Granny Smith	Metallic Orange	Silver	Teal	Yellow	Charcoal Gray	Emerald Green	Iridescent Burgundy	Iridescent Navy	Military Green	Retro Red	Royal Blue	Shadow Black	Smooth White
Seat Frame	N/C																					
Base Frame	N/C																					
Mag Color																						

Axiom G

		Width															
		14"		15"		16"		17"		18"		19"		20"		22"	
		Cushion	Outer Cover	Cushion	Outer Cover	Cushion	Outer Cover	Cushion	Outer Cover	Cushion	Outer Cover	Cushion	Outer Cover	Cushion	Outer Cover	Cushion	Outer Cover
Retail		£85	£70	£85	£70	£85	£70	£85	£70	£85	£70	£85	£70	£85	£70	£85	£70
Height	14"																
	15"																
	16"																
	17"																
	18"																
	19"																
	20"																
	21"																
	22"																

Axiom S

		Width															
		14"		15"		16"		17"		18"		19"		20"		22"	
		Cushion	Outer Cover	Cushion	Outer Cover	Cushion	Outer Cover	Cushion	Outer Cover	Cushion	Outer Cover	Cushion	Outer Cover	Cushion	Outer Cover	Cushion	Outer Cover
Retail		£120	£70	£120	£70	£120	£70	£120	£70	£120	£70	£120	£70	£120	£70	£120	£70
Height	14"																
	15"																
	16"																
	17"																
	18"																
	19"																
	20"																
	21"																
	22"																

Axiom P

		Width															
		14"		15"		16"		17"		18"		19"		20"		22"	
		Cushion	Outer Cover	Cushion	Outer Cover	Cushion	Outer Cover	Cushion	Outer Cover	Cushion	Outer Cover	Cushion	Outer Cover	Cushion	Outer Cover	Cushion	Outer Cover
Retail		£170	£70	£170	£70	£170	£70	£170	£70	£170	£70	£170	£70	£170	£70	£170	£70
Height	14"																
	15"																
	16"																
	17"																
	18"																
	19"																
	20"																
	21"																
	22"																

Axiom SP - Visco

		Width																										
		14"			15"			16"			17"			18"			19"			20"			21"			22"		
		Cushion	Cover		Cushion	Cover		Cushion	Cover		Cushion	Cover		Cushion	Cover		Cushion	Cover		Cushion	Cover		Cushion	Cover				
Retail		£350	£70	£350	£70	£350	£70	£350	£70	£350	£70	£350	£70	£350	£70	£350	£70	£350	£70	£350	£70	£350	£70					
Height	14"																											
	15"																											
	16"																											
	17"																											
	18"																											
	19"																											
	20"																											
	21"																											
	22"																											

Axiom SP - Fluid

		Width																										
		14"			15"			16"			17"			18"			19"			20"			21"			22"		
		Cushion	Cover		Cushion	Cover		Cushion	Cover		Cushion	Cover		Cushion	Cover		Cushion	Cover		Cushion	Cover		Cushion	Cover				
Retail		£320	£70	£320	£70	£320	£70	£320	£70	£320	£70	£320	£70	£320	£70	£320	£70	£320	£70	£320	£70	£320	£70					
Height	14"																											
	15"																											
	16"																											
	17"																											
	18"																											
	19"																											
	20"																											
	21"																											
	22"																											

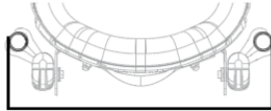
Solid Seat Insert

Weight capacity: 350 lbs

		Width								
		14"	15"	16"	17"	18"	19"	20"	21"	22"
		Cushion	Cushion	Cushion	Cushion	Cushion	Cushion	Cushion	Cushion	Cushion
Retail		£55	£55	£55	£55	£55	£55	£55	£55	£55
Height	14"									
	15"									
	16"									
	17"									
	18"									
	19"									
	20"									
	21"									
	22"									

Axiom Back Width	Fits Back Frame Widths	
	Inner Slots	Outer Slots
12" (30.5cm)	11" (28.0cm)	12" -14" (30.5cm -35.5cm)
14" (35.5cm)	12" -13" (30.5cm -33.0cm)	14" -16" (35.5cm -40.5cm)
16" (40.5cm)	14" -15" (35.5cm -38.0cm)	16" -18" (40.5cm -45.5cm)
18" (45.5cm)	16" - 17" (40.5cm - 43.0cm)	18" - 20" (45.5cm - 50.5cm)
20" (51.0cm)	18" -19" (46.0cm -48.5cm)	20" -22" (50.5cm -55.5cm)
22" (56.0cm)	20" -21" (51.0cm -53.5cm)	22" -24" (56.0cm -61.0cm)

Hardware Description	Code
Improved DEX Hardware, removable adjustable hardware (300 lb max user weight)	DEX
New BTX Hardware, removable adjustable hardware not recommended for, or installed on Ultralight Rigid Frame Wheelchairs (400 lb max user weight)	BTX
New Fixed Hardware, non-removeable hardware up to (300 lb max user weight)	FXT



Axiom Back

Hardware is included with back. Low Back selections are not available with headrests, modifications, or posture supports. Weight capacity: 300 lbs.

Axiom Posterior Back (PB)

		Width						
		12"	14"	16"	18"	20"	22"	
Retail		£550	£550	£550	£550	£550	£550	
Height	Low	8"	[AXPB1208]	[AXPB1408]	[AXPB1608]	[AXPB1808]	[AXPB2008]	
		10"		[AXPB1410]	[AXPB1610]	[AXPB1810]	[AXPB2010]	[AXPB2210]
		12"	[AXPB1212]	[AXPB1412]	[AXPB1612]	[AXPB1812]	[AXPB2012]	
	Mid	14"		[AXPB1414]	[AXPB1614]	[AXPB1814]	[AXPB2014]	[AXPB2214]
		16"	[AXPB1216]	[AXPB1416]	[AXPB1616]	[AXPB1816]	[AXPB2016]	
		18"		[AXPB1418]	[AXPB1618]	[AXPB1818]	[AXPB2018]	[AXPB2218]

Back Hardware

DEX Hardware [DEX] BTX Hardware [BTX] FXT Hardware [FXT] _____ N/C

Lateral Support for AXPB Backs

Lateral Trunk Supports for AXPB Backs							
Pair	Left	Right	Description	Item Code	Pair	Each	
			3 x 4 Lateral Pads with Fixed Mounting Hardware for Axiom Posterior Back	PBLF3x4P	£295	£148	
			4 x 5 Lateral Pads with Fixed Mounting Hardware for Axiom Posterior Back	PBLF4x5P	£295	£148	
			3 x 4 Lateral Pads with Swing Away Mounting Hardware for Axiom Posterior Back	PBLS3x4P	£628	£314	
			4 x 5 Lateral Pads with Swing Away Mounting Hardware for Axiom Posterior Back	PBLS4x5P	£628	£314	
			3 x 4 Lateral Pads with Adjustable Swing Away Mounting Hardware	PBLAS3x4P	£628	£314	
			4 x 5 Lateral Pads with Adjustable Swing Away Mounting Hardware	PBLAS4x5P	£628	£314	

Axiom Posterior Lateral Back (PL)

		Width						
		12"	14"	16"	18"	20"	22"	
Retail		£550	£550	£550	£550	£550	£550	
Height	Low	8"	[AXPL1208]	[AXPL1408]	[AXPL1608]	[AXPL1808]	[AXPL2008]	
		10"		[AXPL1410]	[AXPL1610]	[AXPL1810]	[AXPL2010]	[AXPL2210]
		12"	[AXPL1212]	[AXPL1412]	[AXPL1612]	[AXPL1812]	[AXPL2012]	
	Mid	14"		[AXPL1414]	[AXPL1614]	[AXPL1814]	[AXPL2014]	[AXPL2214]
		16"	[AXPL1216]	[AXPL1416]	[AXPL1616]	[AXPL1816]	[AXPL2016]	
		18"		[AXPL1418]	[AXPL1618]	[AXPL1818]	[AXPL2018]	[AXPL2218]
Tall	20"	[AXPL1220]	[AXPL1420]	[AXPL1620]	[AXPL1820]	[AXPL2020]		
	22"		[AXPL1422]	[AXPL1622]	[AXPL1822]	[AXPL2022]	[AXPL2222]	

Back Hardware

DEX Hardware [DEX] BTX Hardware [BTX] FXT Hardware [FXT] _____ N/C

Lateral Support for AXPL

Lateral Trunk Supports for AXPL & AXLB Backs						
Pair	Left	Right	Description	Item Code	Pair	Each
			3 x 4 Lateral Pads with Fixed Mounting Hardware for Axiom Posterior Lateral Back	PLLF3x4P	£295	£295
			4 x 5 Lateral Pads with Fixed Mounting Hardware for Axiom Posterior Lateral Back	PLLF4x5P	£295	£295
			3 x 4 Lateral Pads with Swing Away Mounting Hardware for Axiom Posterior Lateral Back	PLLS3x4P	£628	£314
			4 x 5 Lateral Pads with Swing Away Mounting Hardware for Axiom Posterior Lateral Back	PLLS4x5P	£628	£314
			3 x 4 Lateral Pads with Adjustable Swing Away Mounting Hardware	PLLAS3x4P	£628	£314
			4 x 5 Lateral Pads with Adjustable Swing Away Mounting Hardware	PLLAS4x5P	£628	£314

Axiom Deep Lateral Back (DL)

		Width						
		12"	14"	16"	18"	20"	22"	
Retail		£550	£550	£550	£550	£550	£550	
HCPC		E2620	E2620	E2620	E2620	E2620	E2621	
Height	Mid	14"	[AXDL1214]	[AXDL1414]	[AXDL1614]	[AXDL1814]	[AXDL2014]	[AXDL2214]
		16"		[AXDL1416]	[AXDL1616]	[AXDL1816]	[AXDL2016]	
		18"	[AXDL1218]	[AXDL1418]	[AXDL1618]	[AXDL1818]	[AXDL2018]	[AXDL2218]
	Tall	20"	[AXDL1220]	[AXDL1420]	[AXDL1620]	[AXDL1820]	[AXDL2020]	
		22"		[AXDL1422]	[AXDL1622]	[AXDL1822]	[AXDL2022]	[AXDL2222]

Back Hardware

DEX Hardware [DEX] BTX Hardware [BTX] FXT Hardware [FXT] _____ N/C

Headrest

Description	Std. Straight Removable Adjustable Hardware		Multi-Axis Removable Adjustable Hardware		Posalinc Removable Adjustable Hardware		HCPCS
	Item Code	Retail	Item Code	Retail	Item Code	Retail	
Comfort Soft Headrest 8"	[CS08SS]	£268	[CS08MA]	£268	[CS08PL]	£268	E0955 / E1028
Comfort Soft Headrest 10"	[CS10SS]	£268	[CS10MA]	£268	[CS10PL]	£268	E0955 / E1028
Comfort Soft Headrest 14"	[CS14SS]	£268	[CS14MA]	£268	[CS14PL]	£268	E0955 / E1028
Contour Positioning Pad, 8" X 6.25"	[CP08SS]	£303	[CP08MA]	£303	[CP08PL]	£303	E0955 / E1028
Contour Positioning Pad, 9" X 6.5"	[CP09SS]	£303	[CP09MA]	£303	[CP09PL]	£303	E0955 / E1028
Contour Positioning Pad, 10" X 7.5"	[CP10SS]	£303	[CP10MA]	£303	[CP10PL]	£303	E0955 / E1028
Tri-soft Headrest 10"	[TS10SS]	£386	[TS10MA]	£386	[TS10PL]	£386	E0955 / E1028
Tri-soft Headrest 14"	[TS14SS]	£386	[TS14MA]	£386	[TS14PL]	£386	E0955 / E1028

Description	Item Code	Retail	HCPCS
Universal Headrest Mounting Plate	[UMP]	£43	K0108

Not required for Axiom Headrests

Anterior Thoracic Supports

Selection of a modification from the Axiom Back Modifications section required in order to mount posture supports. Not available with Low Backs.

Anterior Thoracic Supports

Description	Item Code	HCPCS	Retail
Dynaform Chest Support: 2-Piece with Hook&Loop, 3" High Pad, Small	[14941]	E0960	£100
Dynaform Chest Support: 2-Piece with Hook&Loop, 4" High Pad, Medium	[14942]	E0960	£100
Dynaform Chest Support: 2-Piece with Hook&Loop, 5" High Pad, Large	[14943]	E0960	£100
Dynaform Chest Support: 1-Piece with Buckle, 3" Height x 20" Width, Small	[14924]	E0960	£100
Dynaform Chest Support: 1-Piece with Buckle, 4" Height x 20" Width, Medium	[14927]	E0960	£100
Dynaform Chest Support: 1-Piece with Buckle, 4" Height x 22" Width, Large	[14928]	E0960	£100
Dynaform Anterior Trunk Support: Standard, Dynamic, X-Small	[14851]	E0960	£100
Dynaform Anterior Trunk Support: Standard, Dynamic, Small	[14852]	E0960	£100
Dynaform Anterior Trunk Support: Standard, Dynamic, Medium	[14853]	E0960	£100
Dynaform Anterior Trunk Support: Standard, Dynamic, Large	[14854]	E0960	£100
Dynaform Anterior Trunk Support: Slim Cut, Dynamic, X-Small	[14856]	E0960	£100
Dynaform Anterior Trunk Support: Slim Cut, Dynamic, Small	[14857]	E0960	£100
Dynaform Anterior Trunk Support: Slim Cut, Dynamic, Medium	[14858]	E0960	£100
Dynaform Anterior Trunk Support: Slim Cut, Dynamic, Large	[14859]	E0960	£100
AirLogic Anterior Trunk Support: Standard, Structure, Small	[14282]	E0960	£300
AirLogic Anterior Trunk Support: Standard, Structure, Medium	[14283]	E0960	£300
AirLogic Anterior Trunk Support: Standard, Structure, Large	[14284]	E0960	£300
AirLogic Anterior Trunk Support: Standard, Structure, X-Large	[14285]	E0960	£300
AirLogic Anterior Trunk Support: Slim Cut, Dynamic, Small	[14257]	E0960	£300
AirLogic Anterior Trunk Support: Slim Cut, Dynamic, Medium	[14258]	E0960	£300
AirLogic Anterior Trunk Support: Slim Cut, Dynamic, Large	[14259]	E0960	£300
AirLogic Anterior Trunk Support: Slim Cut, Dynamic, X-Large	[14260]	E0960	£300

Accessories

Adjustable Shoulder Guides (K0108) [AXBSG] <i>Includes Anterior Thoracic Mounting Modification. Not available with Low Backs.</i>	£43
Extra Lumbar Pad (K0108) [LUMPAD] <i>Available only with Axiom Lateral Back and Axiom Deep Lateral back</i>	N/C
Privacy Flap (K0108) [PRFLAP]	£44

Axiom Back Modifications

Axiom Back Modifications

Extended lead times will apply for all modifications. Makes back non-refundable.

Anterior Thoracic Mounting Modification [AXSMM] <i>Provides holes for Anterior Thoracic Supports and Shoulder Guides</i>	N/C
---	-----

Gloss Finish

If no selection is made, standard Shadow Black will be used with no additional lead time

Black Back Shell [AXMBLK]	N/C
Blue Skies Back Shell [AXMSKY]	N/C
Bubblegum Pink Back Shell [AXMPNK]	N/C
Candy Blue Back Shell [AXMCBL]	N/C
Candy Purple Back Shell [AXMPUR]	N/C
Candy Red Back Shell [AXMRED]	N/C
Copper Back Shell [AXMCOP]	N/C
Granny Smith Back Shell [AXMGSM]	N/C
Metallic Orange Back Shell [AXMMOR]	N/C
Yellow Back Shell [AXMYLW]	N/C
Silver Back Shell [AXMSIL]	N/C
Teal Back Shell [AXMTEA]	N/C

Matte Finish

If no selection is made, standard Shadow Black will be used with no additional lead time

Military Green Back Shell [AXMAGM]	N/C
Charcoal Gray Back Shell [AXMCGM]	N/C
Emerald Green Back Shell [AXMEGM]	N/C
Iridescent Burgundy Back Shell [AXMIBM]	N/C
Iridescent Navy Back Shell [AXMINM]	N/C
Retro Red Back Shell [AXMRRM]	N/C
Royal Blue Back Shell [AXMRBM]	N/C
Smooth White Back Shell [AXMSWM]	N/C