



## Backrest

Back Post / Height Range / Back Height							
Back Post	Price	Height Range	Back Height				
Height Adjustable (Standard or 1" Inward Offset)	N/C	Extra Short <sup>1,2</sup>	9"	10"	11"	12"	
		Short <sup>2</sup>	11"	12"	13"	14"	<sup>1</sup>
		Medium <sup>2</sup>	13"	14"	15"	16"	
		Tall <sup>2</sup>	15"	16"	17"	18"	
Height Adjustable (Integrated Handle)	N/C	Short <sup>4,5</sup>	13"	14"	15"	16"	17"
		Tall <sup>4,5</sup>	15"	16"	17"	18"	19"
			20"	21"	22"		
Fixed Height (Straight or 1" Inward Offset)	£91	Fixed <sup>3</sup>	9" <sup>1</sup>	10" <sup>1</sup>	11" <sup>1</sup>	12"	13"
			14"	15"	16"	17"	18"
Fixed Height 2" Offset	£91	Fixed Offset 2" <sup>3</sup>	11" <sup>1</sup>	12" <sup>1</sup>	13" <sup>1</sup>	14" <sup>1</sup>	
			15"	16"	17"		

- 1 Not available with Fold Down Push Handle
- 2 Each Offset Back Post is offset 1/2" creating 1" overall offset. Only Available with Standard or 1" Inward Offset.
- 3 Uses 1" tubes compatible with after-market backs. Not available with back upholstery. 2" Inward or Outward Offset Back Posts are offset 1" creating 2" overall offset. 1" Offset Back Post is offset 1/2" creating 1" overall offset
- 4 Push Handles not available in combination with the Integrated Stroller Handle
- 5 18" max Back Height in combination with Back Upholstery

### Push Handle

Omit Push Handle [CLBCK008]	N/C
Standard Push Handle [CLBCK004]	N/C
Fold Down Push Handle [CLBCK006]	£164
Low Profile Push Handle [CLBCK007]	£67

### Rigidizer Bar Mounted Push Handle

*Stroller Handles are removable and height adjustable*

Bolt-On Push Handle [CLBOP005]	£182
<i>Handles will be 1" - 2" above back height</i>	
Ergo Stroller Handle [CLBCK009]	£182
Single Stroller Handle [CLBOP007]	£164
Double Stroller Handle [CLBOP006]	£218
<i>Not available with 8"-10" Seat Widths</i>	

### Back Upholstery Options

*Available only with Height Adjustable Back Posts. If selecting both upholstery and Axiom Back, the upholstery will be installed.*

Padded Velcro Adjustable with Standard Cover [CLBUP001]	N/C
<i>Not available with 17" or 18" Back Heights in combination with 8" or 9" Seat Widths.</i>	
Padded Velcro Adjustable with Air Mesh Breathable Cover [CLBUP006]	£73
<i>Not available on chair widths less than 12"</i>	
Tension Adjustable with Standard Cover [CLBUP002]	N/C
<i>Not available with 8" and 9" Seat Widths. Not available on 10" Seat Width and 1" Inward Offset.</i>	
Tension Adjustable with Air Mesh Breathable Cover [CLBUP007]	£182
<i>Not available on chair widths less than 12".</i>	
Omit [CLBUP003]	N/C

### Seat Back Angle

*Standard is 90° (perpendicular to floor). Minus (-°) closes back angle. Plus (+°) opens back angle.*

Standard [CLSBA001]	2° [CLSBA009]	4° [CLSBA010]
6° [CLSBA011]	8° [CLSBA012]	10° [CLSBA013]
-2° [CLSBA014]	-4° [CLSBA015]	-6° [CLSBA016]
-8° [CLSBA017]	-10° [CLSBA018]	N/C

### Back Post Option

Standard - No Offset [CLOBO004]	N/C
1" Inward Offset [CLOBO003]	N/C
<i>Not available with 8" Seat Width</i>	
2" Inward Offset [CLOBO001]	N/C
<i>Not available with Height Adjustable Back Post. Not available with 8" or 9" Seat Widths</i>	
2" Outward Offset [CLOBO002]	N/C
<i>Not available with Height Adjustable Back Post. Not available with Swing Away Armrests or 8" and 9" Seat Widths</i>	

## Front Seat Height and Casters

### Caster Size/ Front Seat Height

Select Front Seat Height in row corresponding to desired Caster Size.

Front Seat Height is measured from floor to top of seat tube at front of seat sling. Adjustable up or down by 1/2". See reference E on page 8.

Caster Size	Front Seat Height														
3"	11.5"	12"	12.5"	13"	13.5"	14"	14.5"	15"	15.5"	16"	16.5"	17"	17.5"	18"	18.5"
4"	12.5"	13"	13.5"	14"	14.5"	15"	15.5"	16"	16.5"	17"	17.5"	18"	18.5"	19"	19.5"
5"	13.5"	14"	14.5"	15"	15.5"	16"	16.5"	17"	17.5"	18"	18.5"	19"	19.5"	20"	20.5"
6"	14.5"	15"	15.5"	16"	16.5"	17"	17.5"	18"	18.5"	19"	19.5"	20"	20.5"		

## Casters

		Caster Size				
		Price	3"	4"	5"	6"
Caster Type	.75" Rollerblade	N/C	[CLCAS002]	[CLCAS004]		
	.75" Lighted Rollerblade	£81	[CLCAS001]	[CLCAS005]	[CLCAS033]	
	1" Poly	N/C		[CLCAS006]	[CLCAS010]	[CLCAS014]
	1" Poly Aluminum	N/C		[CLCAS007]	[CLCAS011]	
	1" Pneumatic	£103				[CLCAS017]
	1.5" Poly	N/C		[CLCAS032]	[CLCAS025]	[CLCAS026]
	1.5" Soft Roll Aluminum	£97	[CLCAS003]	[CLCAS009]	[CLCAS013]	[CLCAS016]

## Caster Options

Standard Fork [CLFRK001]	N/C
Single Sided Fork [CLFRK003]	£121
Frog Legs Suspension Fork [CLCST013]	£344
<i>Not included in Colored Anodizing Package.</i>	

## Frog Leg Options

### Only for Frog Legs

User Weight Under 80 lbs [CLCST004]	N/C
User Weight 80-120 lbs [CLCST008]	N/C
User Weight 120-160 lbs [CLCST009]	N/C

## Footrest

### Footplates

Aluminum Angle Adjustable [CLFPL006]	£151
<i>Not available with Front Seat Heights less than 14.5".</i>	
Aluminum Angle Adjustable with Riser [CLFPL007]	£151
<i>Not available with Front Seat Heights less than 14.5".</i>	
High Mount Aluminum Angle Adjustable [CLFPL008]	£151
Angle Adjustable Flip Under [CLFPL012]	N/C
<i>Not available with footrest widths less than 9" or with Front Seat Heights less than 15". See reference F on page 8.</i>	
High Mount Angle Adjustable Flip Under [CLFPL011]	£151
<i>Not available with 16" Seat Width in combination with Offset Frame.</i>	

### Seat to Footrest Length

*Measured from front edge of seat sling to top, rear of footrest. Footrest length at least 2.5" shorter than Front Seat Height recommended. See reference G on page 8.*

5.5"	6"	6.5"	7"	7.5"	8"
8.5"	9"	9.5"	10"	10.5"	11"
11.5"	12"	12.5"	13"	13.5"	14"
14.5"	15"	15.5"	16"	16.5"	17"
17.5"	18"				

## Rear Seat Height and Wheels

### Wheel Size / Rear Seat Height

*Select Rear Seat Height in row corresponding to desired Wheel Size. For proper setup, selection is required when omitting rear wheels. Measured from floor to top of seat tube at front of back post. Rear Seat Height is custom to needs. See reference H on page 8.*

Wheel Size	Rear Seat Height															
18"	11.5" <sup>1</sup>	12"	12.5"	13"	13.5"	14"	14.5"	15"	15.5"	16"	16.5"	17"	17.5"	18"	18.5"	19"
20"	12.5" <sup>1</sup>	13"	13.5"	14"	14.5"	15"	15.5"	16"	16.5"	17"	17.5"	18"	18.5"	19"	19.5"	20"
22"	13.5" <sup>1</sup>	14"	14.5"	15"	15.5"	16"	16.5"	17"	17.5"	18"	18.5"	19"	19.5"	20"		
24"	14.5" <sup>1</sup>	15"	15.5"	16"	16.5"	17"	17.5"	18"	18.5"	19"	19.5"	20"				

<sup>1</sup> Available only with Low Profile tires

### One Arm Drive

One Arm Drive - Quick Release [CLDRV007]	£846
<i>Available only with 20", 22" and 24" spoke wheels and Quick Release axles. Spoke wheel style is exclusive to OAD. Standard handrim will be Aluminum anodized. Rear Wheel Spacing limitations exist based on camber and armrest selections. Not available with 10" wide chairs.</i>	

Left Side Drive [CLDRV002]	N/C
Right Side Drive [CLDRV003]	N/C
Aluminum Drive Handrim [CLDRV004]	N/C
Poly Coated Drive Handrim [CLDRV005]	£182

## Rear Wheels

No selection needed with One Arm Drive.

		Rear Wheel Size				
		Price	18"	20"	22"	24"
Rear Wheel Type	MAXX Spoke	N/C	[CLWH1118]	[CLWH1120]	[CLWH1122]	[CLWH1124]
	Mag	£121		[CLWH1220]	[CLWH1222]	[CLWH1224]
	Colored Mag <sup>1</sup>	£121		[CLWH1320]	[CLWH1322]	
	Spinergy Spox	£665		[CLWHE420]	[CLWHE422]	[CLWHE424]
	Spinergy LX	£937			[CLWHE522]	[CLWHE524]

<sup>1</sup> Color selection on page 7

## Spinergy Options

Select spoke color and handrim tab for Spinergy wheels

### Spoke Color

Black Spokes [CLSSC001]	Red Spokes [CLSSC002]	
White Spokes [CLSSC003]	Blue Spokes [CLSSC005]	N/C

## Rear Tire Type

### Full Profile

Street Pneumatic 1 3/8" [CLTIR001]	£110
Full Poly 1 3/8" [CLTIR002]	N/C
Pneumatic with Airless Insert 1 3/8" [CLTIR004]	£110

### Low Profile

Low Poly 1" [CLTIR003]	N/C
Sentinel Solid Tire 1" [CLTIR005]	£110
<i>Not available on Superlight Wheels</i>	
High Pressure 1" [CLTIR006]	N/C
<i>Not available on Mag wheel or 18" wheel size</i>	
Schwalbe Marathon Plus Evolution 1" [CLTIR010]	£110
<i>Available only on 24" MAXX Spoke or Spinergy wheels</i>	

## Handrims

### Standard Handrims

Aluminum Anodized [CLHRM001]	N/C
Plastic Coated [CLHRM002]	£121
Projection (8 Vertical Projections) [CLHRM003]	£272
<i>Available only with full profile tires in combination with 22", 24", and 26" MAXX Spoke wheels, or 22" and 24" Mag wheels. Not available with One Arm Drive.</i>	
Omit Handrim [CLHRM012]	N/C

### Ergonomic Handrims

*Not available with 20" or 26" wheels.*

Ergo Lite Regular Grip [CLHRM005]	£272
Ergo Standard Regular Grip [CLHRM008]	£272
Ergo Lite Extra Grip [CLHRM006]	£272
Ergo Standard Extra Grip [CLHRM009]	£272
Ergo Lite Omit Grip [CLHRM004]	£272
Ergo Standard Omit Grip [CLHRM007]	£272

## Handrim Options

3M Micro Grip [CLACC006]	£91
<i>Not available on Plastic Coated or Projection Handrims.</i>	

## Handrim Mount

*If no selection is made, Standard Mount will be used.*

Close Mount [CLTAB001]	N/C
<i>Reduces overall width by .75".</i>	

## Axles

No selection needed with Drum Brake.

Quick Release [CLAXO003]	N/C
Quad Quick Release [CLAXO001]	£182
<i>Not available with Mag or Spinergy wheels.</i>	

## Center of Gravity presets

Measured from front of back post to center of rear axle. 0" indicates axle will be directly under back post. Center of Gravity setup may be limited with certain configurations. 2" minimum Center of Gravity with 5th Wheel and One Arm Drive and 0" minimum with Transit Option. See reference I on page 8.

Amputee Positions				
-1.5" [CLCGA150]	-1" [CLCGA100]	-0.5" [CLCGA050]	0" [CLCGS000]	.25" [CLCGS025]
Standard Positions				
.5" [CLCGS050]	.75" [CLCGS075]	1" [CLCGS100]	1.25" [CLCGS125]	1.5" [CLCGS150]
1.75" [CLCGS175]	2" [CLCGS200]	2.25" [CLCGS225]	2.5" [CLCGS250]	2.75" [CLCGS275]
3" [CLCGS300]	3.25" [CLCGS325]	3.5" [CLCGS350]	3.75" [CLCGS375]	4" [CLCGS400]
4.25" [CLCGS425]				



Phone (800) 981-1540 | Fax (715) 254-0996  
sales@kimobility.com | www.kimobility.com



### Rear Wheel Spacing

Adjustable up to .5" outward. Minimum spacing with offset frame is 1.25" with 0° camber, 1" with 2° or 4° camber and .75" with 6° or 8° camber. .75" minimum with 0° camber on standard frame. 0° Camber and Mag wheel combination requires 1" minimum Rear Wheel Spacing. No selection needed with Wheelchair Drive Ready option. .5 and .75" not available with One Arm Drive. See Reference J on page 8.

0.5" [CLWS050]    0.75" [CLWS075]    1" [CLWS100]  
1.25" [CLWS125]    1.5" [CLWS150]    1.75" [CLWS175] \_\_\_\_\_ N/C

### Rear Wheel Camber

The following apply if One Arm Drive is selected: 6° and 8° not available. 4° not available with T-Arms.

0° [CLWC00]    2° [CLWC02]    4° [CLWC04]    6° [CLWC06]  
8° [CLWC08] \_\_\_\_\_ N/C

## Wheel Locks

### Wheel Lock

Push to Lock [CLWLK002] \_\_\_\_\_ N/C  
Push to Lock Flush Mount [CLWLK001] \_\_\_\_\_ N/C  
*Not available with Seat Depths less than 11" or Offset Frame.*  
Pull to Lock [CLWLK003] \_\_\_\_\_ £67  
Low Profile Scissor Lock [CLWLK012] \_\_\_\_\_ £55  
*Not available with Full Poly tires*  
Drum Brake [CLWLK015] \_\_\_\_\_ £532  
*Available only with 20", 22" and 24" MAXX Spoke wheels. Not available with Fold Down Push Handles or Ergo and Single Stroller Handles without integrated push handles. Axle is Quick Release.*  
Dual - Drum Brake with Push to Lock [CLWLK016] \_\_\_\_\_ £653  
*Available only with 20", 22" and 24" MAXX Spoke wheels. Not available with Fold Down Push Handles or Ergo and Single Stroller Handles without integrated push handles. Axle is Quick Release.*  
Dual - Drum Brake with Pull to Lock [CLWLK017] \_\_\_\_\_ £653  
*Available only with 20", 22" and 24" MAXX Spoke wheels. Not available with Fold Down Push Handles or Ergo and Single Stroller Handles without integrated push handles. Axle is Quick Release.*  
Omit [CLWLK008] \_\_\_\_\_ N/C

### Wheel Lock Options

Extension Handles [CLWLK004] \_\_\_\_\_ £49  
*Available only with Push to Lock or Pull to Lock Wheel Locks.*  
Grade Aids [CLWLK009] \_\_\_\_\_ £145  
*Available only with Push to Lock Wheel Locks and Pneumatic or Pneumatic w/ Airless Insert tires.*

## Armrests

Armrest Type	Length	Price
Height Adjustable T-Arm Tall (11.5"-15") <sup>1</sup>	Desk [CLARM039]	£266
	Full [CLARM040]	
Height Adjustable T-Arm (8.5"-13.5") <sup>1</sup>	Desk [CLARM003]	£266
	Full [CLARM004]	
Height Adjustable T-Arm Low (6.5"-10.5") <sup>2</sup>	Desk [CLARM022]	£266
	Full [CLARM023]	
Angle Adjustable Locking Extendable Flip Up <sup>3</sup>	Desk [CLARM010]	£266
	Full [CLARM011]	

Armrest Type	Price
Height Adjustable Pediatric Desk (6.5" - 10") <sup>4</sup>	[CLARM014] £242
Tubular Flip Up <sup>5</sup>	[CLARM015] N/C
Swing Away (7"-9") <sup>6</sup>	[CLARM001] £194
Tall Swing Away (9.25" - 11.25") <sup>7</sup>	[CLARM021] £194
Omit Armrests	[CLARM007] N/C

### Arm Pads

Not available with Tubular Flip Up or Swing Away Armrests.

Standard Arm Pad [CLARM026] \_\_\_\_\_ N/C  
Waterfall Arm Pad [CLARM020] \_\_\_\_\_ £30  
*Not available with Angle Adjustable Locking Extendable Flip Up Armrest.*  
Foam Grip [CLARM025] \_\_\_\_\_ N/C  
*Available only with Angle Adjustable Locking Extendable Flip Up Armrest.*

<sup>1</sup> Not available with Seat Depths less than 13". 16" minimum Seat Depth with Offset Frame. 1.25" minimum Rear Wheel Spacing.  
<sup>2</sup> Not available with Seat Depths less than 12". 14" minimum Seat Depth with Offset Frame. 1.25" minimum Rear Wheel Spacing. If requested configuration is unavailable, Standard Height T-Arm will be used.  
<sup>3</sup> Requires Fixed Height Backrest. Not available with backrest heights less than 12"  
<sup>4</sup> Seat Depth plus Sling Position must be at least 10". Seat Depth plus Sling Position must be at least 12" with Offset Frame 1.25" minimum Rear Wheel Spacing.  
<sup>5</sup> Requires Fixed Height Backrest. Not available with Arm Pads, Back Heights less than 13" or Back Heights less than 14" with Offset.  
<sup>6</sup> Not available with Arm Pads or Outward Offset Back Posts. If selection is not available with rear wheel and rear seat height configuration, then Tall Swing Away armrest will be used.  
<sup>7</sup> Not available with Arm Pads or Outward Offset Back Posts

## Side Guards

### Direct Mount Side Guards

*Not available with T-Arms or Height Adjustable Pediatric Desk Armrests.*

Composite Side Guards - Adult - Direct Mount Receiver [CLSDG002]	£140
<i>Seat Depth plus Sling Position must be at least 12".</i>	
Composite Side Guards - Pediatric - Direct Mount Receiver [CLSDG001]	£140
<i>Seat Depth plus Sling Position must be at least 10".</i>	

### Clamp-On Mount Side Guards

*10" minimum Seat Depth. Not available with T-Arms or Height Adjustable Pediatric Desk Armrests.*

Aluminum Adjustable Fender w/Foam Pad - Clamp-On Receiver - Black [CLSDG017]	£296
Aluminum Adjustable Fender w/Foam Pad - Clamp-On Receiver [CLSDG018]	£357
Carbon Fiber Adjustable Fender - Clamp-On Receiver [CLSDG016]	£393

## Accessories

### 5th Wheel

*Rotating removable rear caster.*

Standard 5th Wheel [CLATP002]	£206
Dynamic 5th Wheel [CLATP004]	£206
Soft Elastomer [CLELA001] Firm Elastomer [CLELA002]	N/C

*Both elastomers are included; the selected elastomer will be installed.*

### Anti - Tips

Rear Anti-Tips [CLATP001]	£91
User Activated - Pair [CLATP012]	£320
User Activated - Left [CLATP010]	£164
User Activated - Right [CLATP011]	£164
Omit [CLATP000]	N/C

### Pelvic Positioning Belts

1" Auto Buckle Pelvic Positioning Belt [CLPOB004]	£55
1" Padded Auto Buckle Pelvic Positioning Belt [CLPOB005]	£151
1 1/2" Auto Buckle Pelvic Positioning Belt [CLPOB001]	£55
1 1/2" Padded Auto Buckle Pelvic Positioning Belt [CLPOB002]	£151
Small Flex-Mount Positioning Belt (16-24") [CLPOB007]	£188
Medium Flex-Mount Positioning Belt (19-29") [CLPOB008]	£188
Large Flex-Mount Positioning Belt (25-37") [CLPOB009]	£188

### Belt Mounting Kit

Ki Mobility Belt Mounting Clamp [CLACC023]	£37
--	-----

### Other Accessories

Tool Kit [CLACC005]	£20
Removable Underseat Pouch [CLACC015]	£30
Pediatric Ki Mobility Backpack [CLACC026]	£100
<i>Best fit on chairs more than 8" wide.</i>	
Ki Mobility Backpack [CLACC009]	£100
<i>Best fit on chairs more than 10" wide.</i>	
Luggage Carrier [CLACC025]	£73
Cane and Crutch Holder [CLACC007]	£91
Canopy with Hardware [CLACC042]	£272

*Only available with Height Adjustable Integrated Handle*

### Calf Strap

*Not available with 8" or 9" wide chairs.*

Velcro Adjustable [CLACC002]	N/C
Padded Velcro Adjustable [CLACC003]	£67
Padded Airmesh Calf Strap [CLACC010]	£103

### Spoke Guards

Clear Spoke Guards [CLSPG001]	£151
<i>Not available with Mag wheel.</i>	
Black Spoke Guards [CLSPG002]	£151
<i>Not available with 18" or 20" wheel sizes or Mag wheel.</i>	
Blue Monster Spoke Guards [CLSPG003]	£182
<i>Available only with 20" and 22" wheel sizes. Not available with Mag wheel.</i>	
Robo Fun Spoke Guards [CLSPG004]	£182
<i>Available only with 20" and 22" wheel sizes. Not available with Mag wheel.</i>	
Tutu Cute Spoke Guards [CLSPG005]	£182
<i>Available only with 20" and 22" wheel sizes. Not available with Mag wheel.</i>	
Tuxedo Time Spoke Guards [CLSPG008]	£182
<i>Available only with 20" and 22" wheel sizes. Not available with Mag wheel.</i>	

## Color

### Color

*Frame/Accent: Select desired frame and accent colors. If no accent color is selected from package 1, frame color will be used.*

Options	Price	Colors																							
		Gloss														Matte						Metallic			
		Black	Yellow	Light Pink	Dark Pink	Glacier Blue	Electric Green	Radiant Orange	Opalescent Violet	Purple Plum	Rich Teal	Metallic Orange	Granny Smith	Candy Red	Candy Blue	Candy Purple	Tactical Green	Dry Earth Tan	White	Shadow Black	Bright Red	Royal Blue	Charcoal Gray	Iridescent Navy	Iridescent Burgundy
Frame	N/C																								
Color Accent <sup>1</sup> Package 1	N/C																								
Color Accent <sup>2</sup> Package 2	N/C																								
Maxx Mag Color																									

<sup>1</sup> Includes backrest rigidizer bar and front caster wings.

<sup>2</sup> Includes backplates, towers, tower clamps, and camber tube.

### Color Anodizing Options

*Select desired color. If no selection is made, black will be used. Not available if Color Accent Package 2 is selected.*

	Color	Black <sup>1</sup>	Blue	Bright Green	Gold	Orange	Pewter	Pink	Purple	Red
	Retail	N/C	£35	£35	£35	£35	£35	£35	£35	£35
Option	Back Plates <sup>2</sup>									
	Camber Tube									
	Towers									
	Side Guard Receiver									
	Caster Fork <sup>3</sup>									
	CG Clamp									
	5th Wheel Split Clamp									

<sup>1</sup> Black is no charge

<sup>2</sup> Not available with Transit Option

<sup>3</sup> Available only with Standard or Single Sided



**References**

**A. Seat Width** See Diagram 1

Measured from outside of frame tube on one side to outside of frame tube on other side.

**B. Seat Depth** See Diagram 3

Measured from front of back posts to front edge of seat sling. Seat sling starts at beginning of bend at front of frame.

**C. Front Frame Bend** See Diagram 3

Angle between front seat tube and ground.

**D. Sling Position** See Diagram 2

With 0 Sling Position, sling is approximately 4" from the front tube. The 1" and 2" Sling Positions extend the frame in front of the sling by that amount. -1 pushes the seat 1" farther forward. See Charts 1 and 2 for more detail.

**E. Front Seat Height** See Diagram 1

Measured from floor to top of seat tube at front of seat sling.

**F. Footrest Width** See Diagram 1

Measured from inside of front tube to inside of front tube on other side. Footrest width is listed below for each seat width. See Chart 1 for more detail.

**G. Seat to Footrest Length** See Diagram 3

Measured from front edge of seat sling to top of rear of footrest. Footrest length of at least 2.5" shorter than front seat height recommended.

**H. Rear Seat Height** See Diagram 3

Measured from floor to top of seat tube at front of back post. Rear seat height is custom to needs.

**I. Center of Gravity Preset** See Diagram 3

Measured from front of back post to center of rear axle. 0" indicates axle will be directly under back post.

**J. Rear Wheel Spacing** See Diagram 1

Measured from outside of seat back to inside of rear tire. Adjustable up to .5" outward.

Diagram 1

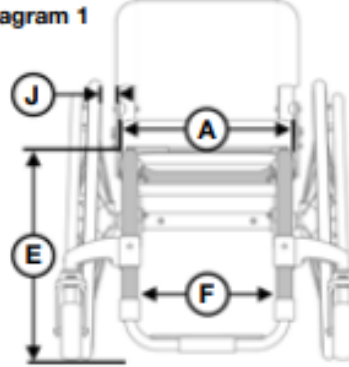


Diagram 2

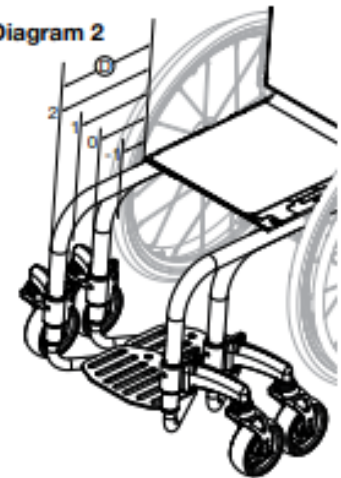


Diagram 3

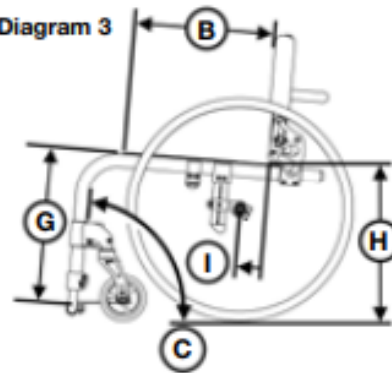


Chart 1

Seat Width	F. Footrest Width	
	Straight Frame (Diagram 1)	Offset Frame
8"	5.75"	9"
9"	6.75"	10"
10"	7.75"	11"
11"	8.75"	12"
12"	9.75"	13"
13"	10.75"	14"
14"	11.75"	15"
15"	12.75"	16"
16"	13.75"	17"

Chart 2

Sling Position / Adjustable Depth / Seat Depth Compatibility																					
Seat Depth	Sling Position	-1", 0"			1"			2"													
		1"	2"	3"	1"	2"	3"	1"	2"	3"											
14"	14"																				
	15"																				X
	16"																				X

"X" indicates Sling Position, Adjustable Depth and Seat Depth combination is not available. -1" Sling Position, 0" Adjustable Depth and 8" - 13" Seat Depths have no restrictions.





Phone (800) 981-1540 | Fax (715) 254-0996  
 sales@kimobility.com | www.kimobility.com



## Axiom for Kids P - Positioning Cushion

*Weight Capacity 165 lbs / 75 kg. Cushion includes 2 outer covers of the selected color. Cover Color Code Black=BLK, Blue=BLU, Purple=PUR.*

Width	8"	9"	10"	11"	12"	13"	14"	15"	16"	
Retail	£300									
Depth	8"	PXP0808BLK	PXP0908BLK	PXP1008BLK						
		PXP0808BLU	PXP0908BLU	PXP1008BLU						
		PXP0808PUR	PXP0908PUR	PXP1008PUR						
	9"	PXP0809BLK	PXP0909BLK	PXP1009BLK	PXP1109BLK					
		PXP0809BLU	PXP0909BLU	PXP1009BLU	PXP1109BLU					
		PXP0809PUR	PXP0909PUR	PXP1009PUR	PXP1109PUR					
	10"	PXP0810BLK	PXP0910BLK	PXP1010BLK	PXP1110BLK	PXP1210BLK	PXP1310BLK			
		PXP0810BLU	PXP0910BLU	PXP1010BLU	PXP1110BLU	PXP1210BLU	PXP1310BLU			
		PXP0810PUR	PXP0910PUR	PXP1010PUR	PXP1110PUR	PXP1210PUR	PXP1310PUR			
	11"			PXP1011BLK	PXP1111BLK	PXP1211BLK	PXP1311BLK	PXP1411BLK		
				PXP1011BLU	PXP1111BLU	PXP1211BLU	PXP1311BLU	PXP1411BLU		
				PXP1011PUR	PXP1111PUR	PXP1211PUR	PXP1311PUR	PXP1411PUR		
	12"			PXP1012BLK	PXP1112BLK	PXP1212BLK	PXP1312BLK	PXP1412BLK		
				PXP1012BLU	PXP1112BLU	PXP1212BLU	PXP1312BLU	PXP1412BLU		
				PXP1012PUR	PXP1112PUR	PXP1212PUR	PXP1312PUR	PXP1412PUR		
	13"			PXP1013BLK	PXP1113BLK	PXP1213BLK	PXP1313BLK	PXP1413BLK	PXP1513BLK	
				PXP1013BLU	PXP1113BLU	PXP1213BLU	PXP1313BLU	PXP1413BLU	PXP1513BLU	
				PXP1013PUR	PXP1113PUR	PXP1213PUR	PXP1313PUR	PXP1413PUR	PXP1513PUR	
	14"			PXP1014BLK	PXP1114BLK	PXP1214BLK	PXP1314BLK	PXP1414BLK	PXP1514BLK	PXP1614BLK
				PXP1014BLU	PXP1114BLU	PXP1214BLU	PXP1314BLU	PXP1414BLU	PXP1514BLU	PXP1614BLU
				PXP1014PUR	PXP1114PUR	PXP1214PUR	PXP1314PUR	PXP1414PUR	PXP1514PUR	PXP1614PUR
	15"					PXP1215BLK	PXP1315BLK	PXP1415BLK	PXP1515BLK	PXP1615BLK
						PXP1215BLU	PXP1315BLU	PXP1415BLU	PXP1515BLU	PXP1615BLU
						PXP1215PUR	PXP1315PUR	PXP1415PUR	PXP1515PUR	PXP1615PUR
16"					PXP1216BLK	PXP1316BLK	PXP1416BLK	PXP1516BLK	PXP1616BLK	
					PXP1216BLU	PXP1316BLU	PXP1416BLU	PXP1516BLU	PXP1616BLU	
					PXP1216PUR	PXP1316PUR	PXP1416PUR	PXP1516PUR	PXP1616PUR	
17"						PXP1317BLK	PXP1417BLK	PXP1517BLK	PXP1617BLK	
						PXP1317BLU	PXP1417BLU	PXP1517BLU	PXP1617BLU	
						PXP1317PUR	PXP1417PUR	PXP1517PUR	PXP1617PUR	
18"						PXP1318BLK	PXP1418BLK	PXP1518BLK	PXP1618BLK	
						PXP1318BLU	PXP1418BLU	PXP1518BLU	PXP1618BLU	
						PXP1318PUR	PXP1418PUR	PXP1518PUR	PXP1618PUR	



Phone (800) 981-1540 | Fax (715) 254-0996  
 sales@kimobility.com | www.kimobility.com



## Axiom for Kids SP - Skin Protection and Positioning Cushion

*Weight Capacity 165 lbs. / 75 kg. Cushion includes 2 outer covers of the selected color. Cover Color Code Black=BLK, Blue=BLU, Purple=PUR.*

Width	8"	9"	10"	11"	12"	13"	14"	15"	16"	
Retail	£425									
Depth	8"	PXSP0808BLK	PXSP0908BLK	PXSP1008BLK						
		PXSP0808BLU	PXSP0908BLU	PXSP1008BLU						
		PXSP0808PUR	PXSP0908PUR	PXSP1008PUR						
	9"	PXSP0809BLK	PXSP0909BLK	PXSP1009BLK	PXSP1109BLK					
		PXSP0809BLU	PXSP0909BLU	PXSP1009BLU	PXSP1109BLU					
		PXSP0809PUR	PXSP0909PUR	PXSP1009PUR	PXSP1109PUR					
	10"	PXSP0810BLK	PXSP0910BLK	PXSP1010BLK	PXSP1110BLK	PXSP1210BLK	PXSP1310BLK			
		PXSP0810BLU	PXSP0910BLU	PXSP1010BLU	PXSP1110BLU	PXSP1210BLU	PXSP1310BLU			
		PXSP0810PUR	PXSP0910PUR	PXSP1010PUR	PXSP1110PUR	PXSP1210PUR	PXSP1310PUR			
	11"			PXSP1011BLK	PXSP1111BLK	PXSP1211BLK	PXSP1311BLK	PXSP1411BLK		
				PXSP1011BLU	PXSP1111BLU	PXSP1211BLU	PXSP1311BLU	PXSP1411BLU		
				PXSP1011PUR	PXSP1111PUR	PXSP1211PUR	PXSP1311PUR	PXSP1411PUR		
	12"			PXSP1012BLK	PXSP1112BLK	PXSP1212BLK	PXSP1312BLK	PXSP1412BLK		
				PXSP1012BLU	PXSP1112BLU	PXSP1212BLU	PXSP1312BLU	PXSP1412BLU		
				PXSP1012PUR	PXSP1112PUR	PXSP1212PUR	PXSP1312PUR	PXSP1412PUR		
	13"			PXSP1013BLK	PXSP1113BLK	PXSP1213BLK	PXSP1313BLK	PXSP1413BLK	PXSP1513BLK	
				PXSP1013BLU	PXSP1113BLU	PXSP1213BLU	PXSP1313BLU	PXSP1413BLU	PXSP1513BLU	
				PXSP1013PUR	PXSP1113PUR	PXSP1213PUR	PXSP1313PUR	PXSP1413PUR	PXSP1513PUR	
	14"			PXSP1014BLK	PXSP1114BLK	PXSP1214BLK	PXSP1314BLK	PXSP1414BLK	PXSP1514BLK	PXSP1614BLK
				PXSP1014BLU	PXSP1114BLU	PXSP1214BLU	PXSP1314BLU	PXSP1414BLU	PXSP1514BLU	PXSP1614BLU
				PXSP1014PUR	PXSP1114PUR	PXSP1214PUR	PXSP1314PUR	PXSP1414PUR	PXSP1514PUR	PXSP1614PUR
	15"					PXSP1215BLK	PXSP1315BLK	PXSP1415BLK	PXSP1515BLK	PXSP1615BLK
						PXSP1215BLU	PXSP1315BLU	PXSP1415BLU	PXSP1515BLU	PXSP1615BLU
						PXSP1215PUR	PXSP1315PUR	PXSP1415PUR	PXSP1515PUR	PXSP1615PUR
	16"					PXSP1216BLK	PXSP1316BLK	PXSP1416BLK	PXSP1516BLK	PXSP1616BLK
						PXSP1216BLU	PXSP1316BLU	PXSP1416BLU	PXSP1516BLU	PXSP1616BLU
						PXSP1216PUR	PXSP1316PUR	PXSP1416PUR	PXSP1516PUR	PXSP1616PUR
	17"						PXSP1317BLK	PXSP1417BLK	PXSP1517BLK	PXSP1617BLK
							PXSP1317BLU	PXSP1417BLU	PXSP1517BLU	PXSP1617BLU
							PXSP1317PUR	PXSP1417PUR	PXSP1517PUR	PXSP1617PUR
	18"						PXSP1318BLK	PXSP1418BLK	PXSP1518BLK	PXSP1618BLK
							PXSP1318BLU	PXSP1418BLU	PXSP1518BLU	PXSP1618BLU
							PXSP1318PUR	PXSP1418PUR	PXSP1518PUR	PXSP1618PUR

### Accessories

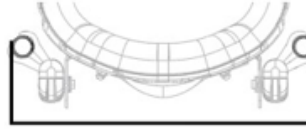
#### Extra Cover

Extra Cover Black	£85
Extra Cover Blue	£85
Extra Cover Purple	£85

#### Solid Seat Insert

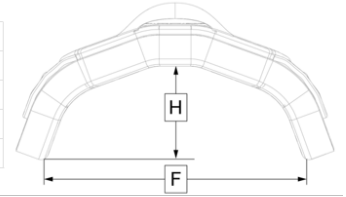
Solid Seat Insert	£85
-------------------	-----

Axiom for Kids Back Width (all models)	Fits back Frame Widths
10" (25.5 cm)	9" - 11" (23 cm - 28 cm)
12" (30.5 cm)	11" - 13" (28 cm - 33 cm)
14" (35.5 cm)	13" - 15" (33 cm - 38 cm)
16" (40.5 cm)	15" - 17" (38 cm - 43 cm)



## Axiom for Kids PL - Posterior Lateral Back

<b>Back Width</b>	10" (25.5 cm)	12" (30.5 cm)	14" (35.5 cm)	16" (40.5 cm)
<b>Fits Back Frame Widths:</b>	9"-11" (23 cm - 28 cm)	11"-13" (28 cm - 33 cm)	13"-15" (33 cm - 38 cm)	15"-17" (38 cm - 43 cm)
<b>Actual Back Width (F):</b>	10" (25.5 cm)	12" (30.5 cm)	14" (35.5 cm)	16" (40.5 cm)
<b>Fits Trunk Widths (F):</b>	10" (25.5 cm)	12" (30.5 cm)	14" (35.5 cm)	16" (40.5 cm)
<b>Contour Depth (H):</b>	3" (7.5 cm)	3" (7.5 cm)	3" (7.5 cm)	3" (7.5 cm)



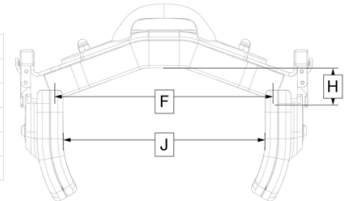
### Back

*Includes Lumbar Pad. Weight capacity 165 lbs. (75 kg). Includes Axiom DEX for Kids Hardware.*

		Width			
		10	12	14	16
Retail		£550			
Height	10	PXPL1010			
	12	PXPL1012	PXPL1212	PXPL1412	
	14	PXPL1014	PXPL1214	PXPL1414	PXPL1614
	16		PXPL1216	PXPL1416	PXPL1616
	18				PXPL1618

## Axiom for Kids AL - Posterior Back for Adjustable Laterals

<b>Back Width</b>	10" (25.5 cm)	12" (30.5 cm)	14" (35.5 cm)	16" (40.5 cm)
<b>Fits Back Frame Widths:</b>	9"-11" (23 cm - 28 cm)	11"-13" (28 cm - 33 cm)	13"-15" (33 cm - 38 cm)	15"-17" (38 cm - 43 cm)
<b>Actual Back Width (F):</b>	8" (20cm)	10" (25.5 cm)	12" (30.5 cm)	14" (35.5 cm)
<b>Component Lateral Width Range (J)*:</b> <i>(*-1" with included spacers)</i>	8" - 11" (20 cm - 28 cm)	10" - 13" (25.5 cm - 33 cm)	12" - 15" (30.5 cm - 38 cm)	14" - 17" (35.5 cm - 43 cm)
<b>Contour Depth (H):</b>	1.25" (3 cm)	1.25" (3 cm)	1.25" (3 cm)	1.25" (3 cm)



**Back**

Weight capacity 165 lbs. (75 kg). Includes Axiom DEX for Kids Hardware.

		Width			
		10"	12"	14"	16"
Retail		£550			
Height	10"	PXAL1010			
	12"	PXAL1012	PXAL1212	PXAL1412	
	14"	PXAL1014	PXAL1214	PXAL1414	PXAL1614
	16"		PXAL1216	PXAL1416	PXAL1616
	18"				PXAL1618

**Axiom for Kids - Adjustable Laterals Trunk Supports (for PXAL Back)**

Not available for Posterior Back for Contoured Adjustable Laterals (PXALCL)

Description	Item Code	Retail
3 x 4 Lateral Trunk Pads, Flat with Fixed Mounting Hardware (Pair)	PLF3x4PP	£250
4 x 5 Lateral Trunk Pads, Flat with Fixed Mounting Hardware (Pair)	PLF4x5PP	£250
3 x 4 Lateral Trunk Pads, Flat with Swing Away Mounting Hardware (Pair)	PLTAS3x4PP	£500
4 x 5 Lateral Trunk Pads, Flat with Swing Away Mounting Hardware (Pair)	PLTAS4x5PP	£500
3 x 4 Lateral Trunk Pads, Curved with Swing Away Mounting Hardware (Pair)	PLTASC3x4PP	£500
4 x 5 Lateral Trunk Pads, Curved with Swing Away Mounting Hardware (Pair)	PLTASC4x5PP	£500

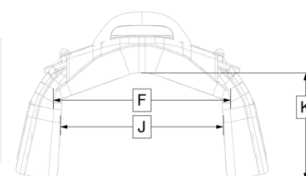
**Axiom for Kids - Adjustable Lateral Pelvic Supports (for PXAL Back)**

Not available for Posterior Back for Contoured Adjustable Laterals (PXALCL)

Description	Item Code	Retail
3 x 4 Lateral Pelvic Pads with Fixed Mounting Hardware (Pair)	PLPF3x4PP	£250
4 x 5 Lateral Pelvic Pads with Fixed Mounting Hardware (Pair)	PLPF4x5PP	£250
3 x 4 Lateral Pelvic Pads with Swing Away Mounting Hardware (Pair)	PLASP3x4PP	£500
4 x 5 Lateral Pelvic Pads with Swing Away Mounting Hardware (Pair)	PLASP4x5PP	£500

**Axiom for Kids ALCL - Posterior Back for Contoured Adjustable Laterals**

<b>Back Width</b>	10" (25.5 cm)	12" (30.5 cm)	14" (35.5 cm)	16" (40.5 cm)
<b>Fits Back Frame Widths:</b>	9"-11" (23 cm - 28 cm)	11"-13" (28 cm - 33 cm)	13"-15" (33 cm - 38 cm)	15"-17" (38 cm - 43 cm)
<b>Actual Back Width (F):</b>	8" - 11" (20 cm - 28 cm)	10" - 13" (25.5 cm - 33 cm)	12" - 15" (30.5 cm - 38 cm)	14" - 17" (35.5 cm - 43 cm)
<b>Contoured Lateral Width Range (J):</b>	8" - 11" (20 cm - 28 cm)	10" - 13" (25.5 cm - 33 cm)	12" - 15" (30.5 cm - 38 cm)	14" - 17" (35.5 cm - 43 cm)
<b>Contour Depth (K):</b>	5" - 5.5" (12.5 cm - 14 cm)	5" - 5.5" (12.5 cm - 14 cm)	5" - 5.5" (12.5 cm - 14 cm)	5" - 5.5" (12.5 cm - 14 cm)



**Back**

Requires Contoured Adjustable Lateral Trunk Support selection below. Weight capacity 165 lbs. (75 kg). Includes Axiom DEX for Kids Hardware.

		Width			
		10"	12"	14"	16"
Retail		£550			
Height	10"	PXAL1010CL			
	12"	PXAL1012CL	PXAL1212CL	PXAL1412CL	
	14"	PXAL1014CL	PXAL1214CL	PXAL1414CL	PXAL1614CL
	16"		PXAL1216CL	PXAL1416CL	PXAL1616CL
	18"				PXAL1618CL

**Axiom for Kids - Contoured Adjustable Lateral Trunk Supports (for PXALCL Back)**

Description	Item Code	Retail
3" Contoured Lateral Wings with Fixed Mounting Hardware (Pair)	PCL3	£250
4" Contoured Lateral Wings with Fixed Mounting Hardware (Pair)	PCL4	£250

4" Contoured Lateral Wings are not available on 10" or 12" Back Heights

## Accessories

### Axiom for Kids Back Accessories & Modifications

Lumbar Pad	£40
Privacy Flap	£40
<i>Privacy Flap not available for 10" wide backs</i>	
Axiom DEX for Kids Hardware Extension	N/C
<i>Hardware extension adds an additional 2" of anterior depth adjustment</i>	
Axiom for Kids Adjustable Shoulder Guides	£50

### Headrests

Description	Standard Straight Removable Adjustable Hardware		Multi-Axis Removable Adjustable Hardware		Posalinc Removable Adjustable Hardware		Posalinc Flip-Back Adjustable Hardware	
	Item Code	Retail	Item Code	Retail	Item Code	Retail	Item Code	Retail
Comfort Soft Headrest 8"	CS08SS	£268	CS08MA	£268	CS08PL	£268	CS08PLF	£268
Comfort Soft Headrest 10"	CS10SS	£268	CS10MA	£268	CS10PL	£268	CS10PLF	£268
Comfort Soft Headrest 14"	CS14SS	£268	CS14MA	£268	CS14PL	£268	CS14PLF	£268
Contour Positioning Pad, 8" X 6.25"	CP08SS	£303	CP08MA	£303	CP08PL	£303	CP08PLF	£303
Contour Positioning Pad, 9" X 6.5"	CP09SS	£303	CP09MA	£303	CP09PL	£303	CP09PLF	£303
Contour Positioning Pad, 10" X 7.5"	CP10SS	£303	CP10MA	£303	CP10PL	£303	CP10PLF	£303
Tri-soft Headrest 10"	TS10SS	£386	TS10MA	£386	TS10PL	£386	TS10PLF	£386
Tri-soft Headrest 14"	TS14SS	£386	TS14MA	£386	TS14PL	£386	TS14PLF	£386

### Headrest Hardware

*Not required with Axiom Headrests*

Description	Item Code	Retail
Universal Headrest Mounting Plate	UMP	£43

### Anterior Trunk Supports

Description	Item Code	Retail
Dynaform Chest Support: 2-Piece with Hook&Loop, 3" High Pad, Small	14941	£100
Dynaform Chest Support: 2-Piece with Hook&Loop, 4" High Pad, Medium	14942	£100
Dynaform Chest Support: 2-Piece with Hook&Loop, 5" High Pad, Large	14943	£100
Dynaform Chest Support: 1-Piece with Buckle, 3" Height x 18" Width, Small	14924	£100
Dynaform Chest Support: 1-Piece with Buckle, 4" Height x 20" Width, Medium	14927	£100
Dynaform Chest Support: 1-Piece with Buckle, 4" Height x 22" Width, Large	14928	£100
Dynaform Anterior Trunk Support: Standard, Dynamic, X-Small	14851	£100
Dynaform Anterior Trunk Support: Standard, Dynamic, Small	14852	£100
Dynaform Anterior Trunk Support: Standard, Dynamic, Medium	14853	£100
Dynaform Anterior Trunk Support: Standard, Dynamic, Large	14854	£100
Dynaform Anterior Trunk Support: Slim Cut, Dynamic, X-Small	14856	£100
Dynaform Anterior Trunk Support: Slim Cut, Dynamic, Small	14857	£100
Dynaform Anterior Trunk Support: Slim Cut, Dynamic, Medium	14858	£100
Dynaform Anterior Trunk Support: Slim Cut, Dynamic, Large	14859	£100
AirLogic Anterior Trunk Support: Standard, Structure, Small	14282	£300
AirLogic Anterior Trunk Support: Standard, Structure, Medium	14283	£300
AirLogic Anterior Trunk Support: Standard, Structure, Large	14284	£300
AirLogic Anterior Trunk Support: Slim Cut, Dynamic, Small	14257	£300
AirLogic Anterior Trunk Support: Slim Cut, Dynamic, Medium	14258	£300



Phone (800) 981-1540 | Fax (715) 254-0996  
sales@kimobility.com | www.kimobility.com



### Gloss Finish

*If no selection is made, standard Shadow Black will be used with no additional lead time*

Opalescent Violet Back Shell	N/C
Radiant Orange Back Shell	N/C
Electric Green Back Shell	N/C
Glacier Blue Back Shell	N/C
Dark Pink Back Shell	N/C
Light Pink Back Shell	N/C
Rich Teal Back Shell	N/C
Purple Plum Back Shell	N/C
Black Back Shell	N/C
Candy Blue Back Shell	N/C
Candy Purple Back Shell	N/C
Candy Red Back Shell	N/C
Granny Smith Back Shell	N/C
Metallic Orange Back Shell	N/C
Yellow Back Shell	N/C

### Matte Finish

*If no selection is made, standard Shadow Black will be used with no additional lead time*

Bright Red Back Shell	N/C
White Back Shell	N/C
Dry Earth Tan Back Shell	N/C
Tactical Green Back Shell	N/C
Charcoal Gray Back Shell	N/C
Iridescent Burgundy Back Shell	N/C
Iridescent Navy Back Shell	N/C
Royal Blue Back Shell	N/C

### Metallic Finish

*If no selection is made, standard Shadow Black will be used with no additional lead time*

Blue Steel Back Shell	N/C
-----------------------	-----