



Tiltable wheelchair for an optimized positioning, suitable for adolescents and adults

Included in the base price:

- Growable without additional parts (SW by max. 4 cm, SD by 2 cm • Rigid frame with 10 cm abduction and with additional parts with another 4 cm, BH by max. 5 cm)
- For active and passive use
- Seat tilt function from -3° up to +35°
- Back angle adjustment from 80° to 120°, completely stowable
- Pneumatic or solid tyres
- Standard knee lever brake

Quotation Order

German aid index N° . 18.50.03.2001

Weight capacity: 120 kg

Base price **£2,699**

Prices excl. VAT, valid from 01.03.2021

Delivery address / Company stamp:	Billing address: <input type="checkbox"/> same as delivery address
Name:	Name:
Address:	Address:

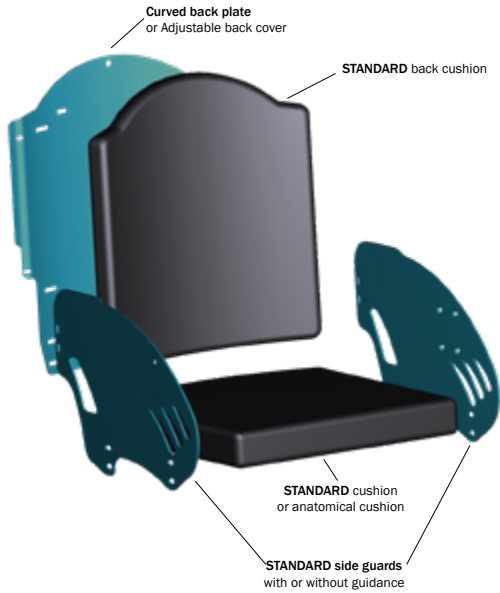
Ordering information:	
Reference/ internal description:	Date:
Contact person:	Signature:

Frame measures			
Seat width 10..	Seat depth 11..	back height	Lower leg length
+ 4 cm extension each	+ 2 cm extension each <i>(optionally with another 4 cm growing)</i>	<i>Please select the back height when selecting the back system (on page 3)</i>	1. Real lower leg length of the user (LLL): _____cm
<input type="checkbox"/> 30 <input type="checkbox"/> 32 <input type="checkbox"/> 34 <input type="checkbox"/> 36 <input type="checkbox"/> 38 <input type="checkbox"/> 40 <input type="checkbox"/> 42 <input type="checkbox"/> 44 <input type="checkbox"/> 46 <input type="checkbox"/> 48	<input type="checkbox"/> 30 <input type="checkbox"/> 32 <input type="checkbox"/> 34 <input type="checkbox"/> 36 <input type="checkbox"/> 38 <input type="checkbox"/> 40 <input type="checkbox"/> 42 <input type="checkbox"/> 44 <input type="checkbox"/> 46 <input type="checkbox"/> 48		2. Cushion thickness (CT) _____cm

Frame equipment			Frame arches for closed frame	
Child-proof lock	Additional gas pressure spring	Rigid (welded) frame	increases frame stability	
<input type="checkbox"/> Child-proof lock for tilting mechanism. Recommended for very active children	<input type="checkbox"/> Necessary from a user weight > 75 kg or from seat width 42. Possible from frame width 36	<input type="checkbox"/> for increased Torsional stiffness Frame does not grow with the width.	<input type="checkbox"/> Frame arches for a closed frame. The frame arches will be coated in the frame colour. Increases the stability of the frame	
N° 1940 £55	N° 192501 £339	N° 597695 £360	N° 597699 £310	

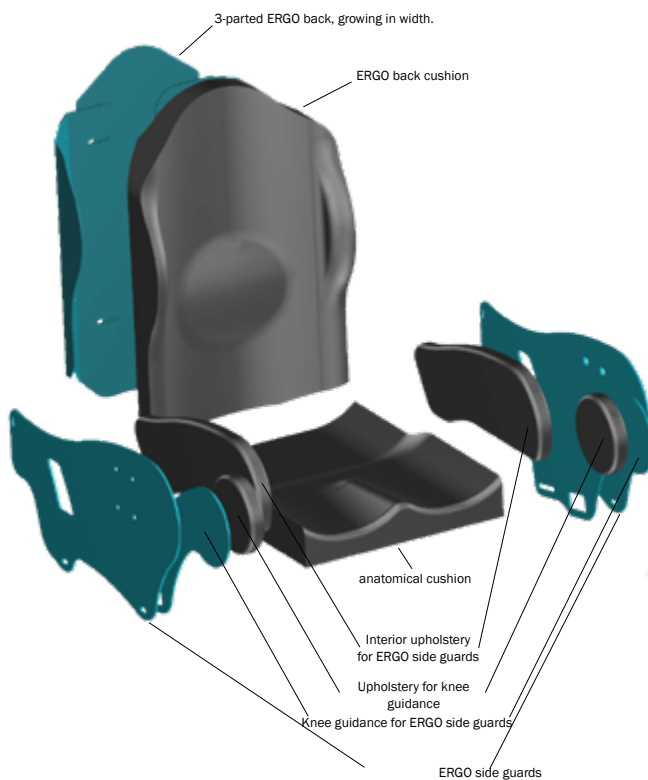
Colours		
Finish alternatives	Moderate metallic effect (except for black & King's blue)	Special colours (without additional charge, except for Nightblue)
<input type="checkbox"/> Shiny £ 0 Matt (not possible with special colours!) N° 1561 £75	<input type="checkbox"/> Zinc Yellow (02) <input type="checkbox"/> Dark Green (15) <input type="checkbox"/> Pure Orange (21) <input type="checkbox"/> Crimson (04) <input type="checkbox"/> Pastel Blue (20) <input type="checkbox"/> Dark Blue (16) <input type="checkbox"/> Brilliant Blue (08) <input type="checkbox"/> Cream White (17) not metallic: <input type="checkbox"/> Girly Pink (19) <input type="checkbox"/> Black (31) <input type="checkbox"/> Chrome Yellow (06) <input type="checkbox"/> King's Blue (32)	Strong metallic effect: <input type="checkbox"/> Silver Metallic (36) <input type="checkbox"/> Apple Green Dormant (18) <input type="checkbox"/> Anthracite Metallic (22) <input type="checkbox"/> Fire Red Dormant (45) <input type="checkbox"/> Violet Dormant (50) Coarse structured surface: Dormant colour with additional charge: <input type="checkbox"/> Coarse Black (27) <input type="checkbox"/> Nightblue Dorm. (47) £69
Design package color anodization (Colour examples for anodized colours can be found on our website in the equipment area)		
<input type="checkbox"/> anodized Blue (01) <input type="checkbox"/> anodized Red (02) <input type="checkbox"/> anodized Green (03) <input type="checkbox"/> anodized Gold Orange (04) <input type="checkbox"/> anodized Violet (05) N° 1573.. £249	The following parts are anodized: Assembly group caster (fork, caps, adapter, half shells, wheel spacer), profile pipe support for push bow, hand rims The design package ist only possible in the listed setting.	Restrictions: The hand rims are only available in the design package anodized colours by choosing aluminum hand rims. (not possible with stainless steel, Maxgrepp, PVC, double or nob hand rims. Also not possible with profile wheels) Profile pipe support is only available in the design package anodized by choosing push bow.

Example STANDARD back system



Example ERGO backsystem

„The offered ERGO system for Loop BS allows an effective positioning in the pelvis and back area. The resulting sitting stability and support enable a physiologically relaxed posture. The ERGO system combines an ergonomic back support with integrated body support and a functional, stable seat with extended side support.“



To see the latest versions of our order forms, please visit www.sorgrollstuhltechnik.de/download-portal

Two different equipment variants:

The variants can NOT be combined with each other



the **STANDARD** back system



or the **ERGO** system

Back height standard (+ 5 cm extension each)
N° 12 .. 3: <input type="checkbox"/> 30 <input type="checkbox"/> 35 <input type="checkbox"/> 40 <input type="checkbox"/> 45 <input type="checkbox"/> 50

Curved back plate Model 1	Curved back plate Model 3	Back extension for curved back plate
Curved back plate, BH+2 cm; cavity: <input type="checkbox"/> 15 mm (...015) <input type="checkbox"/> 30 mm (...030) <input type="checkbox"/> 50 mm (...050)	Curved back plate, BH+5 cm; cavity: <input type="checkbox"/> 15 mm (...315) <input type="checkbox"/> 30 mm (...330) <input type="checkbox"/> 50 mm (...350)	<input type="checkbox"/> Back extension up to 17.5 cm, retractable, with detachable pad for head; weight reduction in comparison to a head rest approx. 1000 g <i>Only with curved back plate, not possible with head rest (N° 6860..), not suitable as a head rest for the transport in a passenger vehicle</i>

N° 693... £275	BH+10 cm; cavity: <input type="checkbox"/> 15 mm (...415) <input type="checkbox"/> 30 mm (...430) <input type="checkbox"/> 50 mm (...450)	
----------------	--	--

Curved back pl. Model 2	Restrictions back extension	
Curved back plate, BH+10 cm; cavity: <input type="checkbox"/> 15 mm (...115) <input type="checkbox"/> 30 mm (...130) <input type="checkbox"/> 50 mm (...150)	-Curved back plate Model 1 • from BH 35 cm -Curved back plate Model 2 • Not possible -Curved back plate Model 3 • from BH 30 cm • only with version BH+5 cm	
BH+20 cm; cavity: <input type="checkbox"/> 15 mm (...215) <input type="checkbox"/> 30 mm (...230) <input type="checkbox"/> 50 mm (...250)		
N° 693... £355	N° 693... £355	N° 686069 £355

Back cover	Fitting set
adjustable <input type="checkbox"/> Adjustable cover with strap system, incl. back cushion (thickness 2 cm) Choice of cover colour on page 5.	for solid back <input type="checkbox"/> one set of clamps, required for mounting a solid back that is manufactured by the specialist trade
N° 6701... £199	N° 692598 £120

Back cushion		
WITHOUT back cushion	Standard cushion for Curved back plate	Additional cover(s)
<input type="checkbox"/> No back cushion (please tick if no cushion is required)	<input type="checkbox"/> Standard cushion for curved back plate, 3 cm thick, with zipper, breathable cover Selection cover colour on page 5	for Standard cushion (as chosen left) <input type="checkbox"/> 1 cover (...01) <input type="checkbox"/> 2 covers (...02)
N° 8517 £125	N° 85... £75/pcs.	

Side guards standard	
Side guards standard	Side guards with guidance
<input type="checkbox"/> screwed aluminum side guards	<input type="checkbox"/> screwed aluminum side guards with thigh guidance
N° 4527 £165	N° 4528 £180

Back height ERGO (+ 5 cm extension each)
N° 12 .. 3: <input type="checkbox"/> 40 <input type="checkbox"/> 45 <input type="checkbox"/> 50 <input type="checkbox"/> 55 <input type="checkbox"/> 60

ERGO back	ERGO back cushion
<input type="checkbox"/> 3-parted solid back unit for ERGO-System, growable in width. without cushion	<input type="checkbox"/> Anatomically shaped back cushion for ERGO back (in the middle about 3 cm thick), with lateral support and slight lumbar support. incl. cover, choose cover colour on page 5
N° 698000 £425	N° 891200 £625

Cover ERGO back cushion	
<input type="checkbox"/> ADDITIONAL cover for ERGO back cushion	<input type="checkbox"/> WITHOUT cover for ERGO back cushion
N° 891201 £175	N° 998912 £135

Side guards for ERGO system	
ERGO side guards	Interior upholstery
<input type="checkbox"/> Aluminum side guards with high thigh guidance suitable for interior upholstery and mounting knee guidance	<input type="checkbox"/> for Ergo side guards with 2 cm thickness Only possible with anatomical cushion N° 891002 Choice of cover colour on page 5.
N° 4529 £235	N° 452905 £130

Knee guidance	Upholstery f. knee guidance
<input type="checkbox"/> or ERGO side guard, screwed aluminum knee guidance	<input type="checkbox"/> Upholstery for knee guidance, cover colour like interior upholstery ERGO side guards. only in combination with interior upholstery ERGO side guards N° 452905
N° 452909 £100	N° 452910 £100

Raw delivery	
Raw delivery	Subsequent coating
<input type="checkbox"/> of the following components (if selected): ERGO back, ERGO side guards, ERGO knee guidance holder.	<input type="checkbox"/> in chosen frame colour. Components (if selected): ERGO back, ERGO side guards, ERGO knee guidance holder.
N° 999950 £ 0	N° 999915 £180

To see the latest versions of our order forms, please visit www.sorgrollstuhltechnik.de/download-portal

Abbreviations:

piece - pcs	seat width - SW	lower leg length - LLL
pair - P	seat depth - SD	customized product discount - CPD
Trade discount - TD	back height - BH	Additional charge - AC
configuration - cf.		

External dimensions Loop^{SORG} RS:




All measurements +-5%

Overall width = Seat width (SW) + 28 cm, with drumbrake



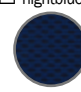
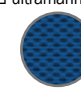
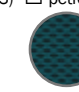
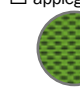
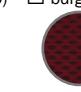
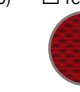

Attention: Attaching the restraint system increases the overall width by 2 cm


Overall length = 87 cm up to max. 107 cm

(depending on the size and position of the drive wheel and the type of leg supports)

Back angle adjustment		Seat system		Arm rest
Back angle	Back angle	Seat plate	Seat extension	Adjustable arm rest
<input type="checkbox"/> Mechanically adjustable through raster from 90°-120°, completely stowable, incl. stabilizer bar Attention! Anti-tipper and push bow required (danger of tipping!)	<input type="checkbox"/> Steplessly adjustable in angle through gas pressure spring from 90°-117°, incl. stabilizer bar. <i>Only possible from BH 35cm.</i> Attention! Anti-tipper required (danger of tipping!). <i>Restrictions in the angle of the bracket are possible depending on the seat height, see page 4.</i>	<input checked="" type="checkbox"/> Firm aluminium seat plate for optimized support of pelvic, firmly bolted 	<input type="checkbox"/> Seat depth extension (1 - 3 cm) 	<input type="checkbox"/> 24 cm long, adjustable in angle 
N° 6124 £ 0	N° 6180 £340	N° 1933 £ 0	N° 193301 £100	N° 453200 £220

Seat cushion (all covers with zippers and changeable)				
	Standard cushion	Anatomical cushion	Cushion without cover	Incontinence cover
<input type="checkbox"/> No seat cushion (please tick if no cushion is required)	Synthetic foam for firm and comfortable seating <input type="checkbox"/> 3 cm (..03) <input type="checkbox"/> 5 cm (..05)	<input type="checkbox"/> Anatomically formed, with slight abduction, changeable cover, thickness of cushion measured at slightest point: front 5 cm, back 3 cm Customized product	<input type="checkbox"/> Seat cushion as chosen, without cover	<input type="checkbox"/> For standard cushion as chosen on the left
	N° 80.. £90	N° 891002 £420		N° 86.. £89
Additional covers for cushions as chosen on the right <input type="checkbox"/> 1 cover (..01) <input type="checkbox"/> 2 covers (..02)	Pressure relief cushion for medium-soft seating <input type="checkbox"/> 3 cm (..03) <input type="checkbox"/> 5 cm (..05)	<input type="checkbox"/> Additional cover for anatomical cushion as configured Customized product		<input type="checkbox"/> For anatomical cushion as chosen on the left
N° 82.. £75/pcs	N° 81.. £120	N° 891003 £160	N° 998001 £30	N° 891004 £160

Choice of Trevira cover colour <small>Note: Colour views may differ from reality depending on the screen view / printout and are only for initial orientation.</small>				
Please choose your colour of the chosen covers:				
<input type="checkbox"/> black (30)	<input type="checkbox"/> grey (31)	<input type="checkbox"/> nightblue (32)	<input type="checkbox"/> ultramarine blue (33)	<input type="checkbox"/> petrol (34)
<input type="checkbox"/> applegreen (35)	<input type="checkbox"/> burgundy (36)	<input type="checkbox"/> red (37)	<input type="checkbox"/> pink (38)	
				
				
N° 80.. (seat cushion/anat. cushion) /		N° 85.. (back cushion/anat. back cushion) /		N° 4582.. (side upholstery)


Push bow
Extendable push bow
<input type="checkbox"/> Extendable push bow, extendable by 20 cm, adjustable in angle 307° made of metal 
N° 653101 £ 0





Brakes		
Knee lever brake	Drum brake	Brake lever extension
<input type="checkbox"/> Standard N° 3525 £ 0 <input type="checkbox"/> lockable in activated or deactivated position A latch is used to lock the brake standing still or while driving.	<input type="checkbox"/> for standard-, profile or lightweight wheels (N° 21..30/31/81), incl. brake lever for attendant	straight, 6 cm long <input type="checkbox"/> with cover
N° 3513 £165	N° 220036 £282	N° 3510 £50
<input type="checkbox"/> Pull to lock In contrast to the standard knee lever brake, the pull to lock knee lever brake is operated by pulling.	<input type="checkbox"/> Single-hand brake¹ Knee lever brake with single hand control Mounting <input type="checkbox"/> left (..01) <input type="checkbox"/> right (..02)	straight, 6 cm long <input type="checkbox"/> with ball knob <input type="checkbox"/> with golf ball knob
N° 3529 £55	N° 3509.. "75	N° 3512 £55

To see the latest versions of our order forms, please visit www.sorgrollstuhltechnik.de/download-portal

Brakes	
Knee lever brake	Single-hand brake
<p>Standard lockable Pull to Lock</p>	

Brake lever extensions		
Cover	Ball knob	Golf ball knob

Leg support foot plate depth 150 mm and 230 mm			
Standard	Adjustable in angle	Adjustable in angle	Multidirectional
undivided foot plate, foldable backwards, rigid knee angle at 90° Possible distance top edge seat to top edge footplate: 13-49 cm Foot plate depth: <input type="checkbox"/> 150 mm (...01) <input type="checkbox"/> 230 mm (...02) + 40,- € AC	undivided foot plate, foldable backwards, knee angle adjustable from 80-180° Possible distance top edge seat to top edge footplate: 12-50 cm Foot plate depth: <input type="checkbox"/> 150 mm (...03) <input type="checkbox"/> 230 mm (...04) + 40,- € AC	divided foot plates, foldable backwards, knee angle adjustable from 80-180° Possible distance top edge seat to top edge footplate: 12-50 cm Foot plate depth: <input type="checkbox"/> 150 mm (...30) <input type="checkbox"/> 230 mm (...31) + 40,- € AC	<input type="checkbox"/> divided foot plates, foldable sideways. Multidirectional, separate and stepless adjustment of knee angle, abduction and leg length. Foot plate depth 150 mm. Possible distance top edge seat to top edge footplate: 12-50 cm  from seat width 42 cm, from seat depth 40 cm
N° 4055.. £ 0	N° 4055.. £65	N° 4055.. £85	N° 405506 £269

Leg support swiveling outwards and removable, foot plate depth 150 mm (from seat depth 40 cm)			Leg Support Genex
One piece	Divided	Articulating	Dynamic Leg support
<input type="checkbox"/> with undivided foot plate, foldable sideways, leg support completely removable, swiveling outwards and adjustable in width. Possible distance top edge seat to top edge footplate: 26-45 cm 	<input type="checkbox"/> with divided foot plates, foldable sideways, leg support completely removable, swiveling outwards and adjustable in width. Possible distance top edge seat to top edge footplate: 26-45 cm 	<input type="checkbox"/> with divided foot plates, Swivelling and detachable with physiological pivotal point, hinged upwards from 93° to 180°, swiveling outwards and adjustable in width. Possible distance top edge seat plate to top edge footplate: 17-42 cm 	All removable leg supports can be adjusted in width and are possible from a seat depth of 40 cm. Not possible in combination with „Frame arches for closed frame“.  Not in combination with N° 4009 / N° 405509 Special spring mechanism to soothe spasticity or leg tone in all dimensions, foot plate hinged upwards. Knee angle resilient forward and backward. Possible distance top edge seat to top edge footplate: 23-41 cm. Please note: rotation axis is located in front of the seat edge.
N° 405507 £130	N° 405540 £200	N° 405505 £200	N° 4053 £159

Leg support options			
Locking at 90°	Heel edge	Heel cups	Calf rest (with holder)
<input type="checkbox"/> for all leg supports with foldable foot plate/s N° 4009 £55 <input type="checkbox"/> for leg support (N° 405507) only	<input type="checkbox"/> for all leg supports with foldable foot plate/s	Alu black, for self-assembly <input type="checkbox"/> Size 1 (...01) 7 x 11.5 cm <input type="checkbox"/> Size 2 (...02) 9 x 12.5 cm <input type="checkbox"/> Size 3 (...03) 10 x 15.5 cm	for the angle-adjustable leg support N° 405503/04 Mounting: <input type="checkbox"/> right <input type="checkbox"/> left <input type="checkbox"/> pair (2 pcs.) It is recommended to choose the footplate depth 230 mm.
N° 403910 £55	N° 405509 £55	N° 4020.. £54	N° 403005 £125/pcs. N° 403006 £125/pcs.

¹ Single hand brake not possible in combination with outwards swiveling leg support.

Rear wheels 20" - 24"			Rear wheels 12" + 16"	
Standard wheel	Profile wheel	Lightweight wheel	12" wheels	16" wheels
			 similar picture	 similar picture

Double handrim	Distance tight (only 9 mm)	Distance normal (Standard)

Wheel cover
for rear wheels
 long
 short

Seat height		Please choose your seat height													
		Seat heights (in cm)													
Rear wheel	Seat depth	41	43,5	46	48	48,5	50	50,5	51	52,5	53	53,5	55	55,5	
12" Solid			<input type="checkbox"/>	<input type="checkbox"/>	<input type="checkbox"/>										
12" Pneumatic				<input type="checkbox"/>	<input type="checkbox"/>		<input type="checkbox"/>								
16"				<input type="checkbox"/>	<input type="checkbox"/>		<input type="checkbox"/>								
20"	SD 30-40	<input type="checkbox"/>	<input type="checkbox"/>	<input type="checkbox"/>	<input type="checkbox"/>		<input type="checkbox"/>								
	SD 42-48		<input type="checkbox"/>	<input type="checkbox"/>		<input type="checkbox"/>		<input type="checkbox"/>							
22"	SD 30-40		<input type="checkbox"/>	<input type="checkbox"/>		<input type="checkbox"/>		<input type="checkbox"/>		<input type="checkbox"/>					
	SD 42-48			<input type="checkbox"/>		<input type="checkbox"/>		<input type="checkbox"/>		<input type="checkbox"/>		<input type="checkbox"/>			
24"	SD 30-40			<input type="checkbox"/>		<input type="checkbox"/>		<input type="checkbox"/>		<input type="checkbox"/>		<input type="checkbox"/>		<input type="checkbox"/>	
	SD 42-48					<input type="checkbox"/>		<input type="checkbox"/>		<input type="checkbox"/>		<input type="checkbox"/>		<input type="checkbox"/>	
possible caster wheel sizes		5"	5"-5,5"	5"-6"	5"-7"	5"-7"	5"-7"	5"-7"	5"-7"	6"-7"	6"-7"	6"-7"	7"	7"	

- = Recommended because there is **no** conflict (reduced angle of tilting) between armrests and wheel cover.
- = Not possible.
- = Not in combination with back angle adjustment by gas pressure spring (Article-N°. 6180), but there is **no** conflict between armrests and wheel cover.
- = Possible, but due to conflict armrests / wheel cover the entire tilting angle is not available.

Wheel size and wheel camber		Wheel cover	
Wheel size	Camber	for rear wheels	
Size in inches:	Camber	<input type="checkbox"/> Wheel cover long for 20", 22" und 24"	
<input type="checkbox"/> 20"	<input type="checkbox"/> 2° (Standard)		
<input type="checkbox"/> 22"		£ 0	N° 5210 £180
<input type="checkbox"/> 24"	Adapter for camber 0°	<input type="checkbox"/> Wheel cover short for 16", 20", 22" und 24"	
	<input type="checkbox"/> 0°		
	£ 0	N° 201515	£70 N° 5211 £140

Rear wheels 20" - 24"			
Standard wheel	Profile wheel	Lightweight wheel with standard hub	Lightweight wheel with drum brake hub
<input type="checkbox"/> All-round wheel	<input type="checkbox"/> Unity of handrim and rim, reduces the risk of finger injuries	<input type="checkbox"/> with standard hub Very lightweight, incl. aluminium handrim	<input type="checkbox"/> with drum brake hub , incl. black aluminium handrims Only in combination with drum brake (N° 220036, additional charge 310,- €)
<i>Additional weight of approx. 900g/wheel compared to lightweight wheels</i>	<i>Additional weight of approx. 800g/wheel compared to lightweight wheels</i>	<i>Weight reduction of approx. 900g/pair compared to standard wheels</i>	<i>Weight reduction up to 1.2 kg/pair compared to standard drum brake wheels</i>
		<i>The standard hub is incompatible with the drum brake (N° 220036)!</i>	<i>Package price for lightweight wheels incl. drum brakes and brake lever for attendant 420,- €/pair.</i>
N° 21..30	£ 0 N° 21..31	£ 0 N° 21..76	£140 N° 21..81
			£100

Rear wheels 12" and 16" (instead of drive wheels)			
12"-wheels (Solid tires)	12"-wheels (Pneumatic tires)	16"-wheels (only available with drum brake hub)	
<input type="checkbox"/> 12"-wheels with solid tires and standard hub	<input type="checkbox"/> 12"-wheels with pneumatic tires and standard hub	<input type="checkbox"/> 16"-wheels with solid tires and drum brake hub	<input type="checkbox"/> 16"-wheels with pneumatic tires and drum brake hub
N° 211240	£ 0 N° 211200		
<input type="checkbox"/> 12"-wheels with solid tires and drum brake hub	<input type="checkbox"/> 12"-wheels with pneumatic tires and drum brake hub		
N° 221240	£ 0 N° 221200	N° 221640	£75 N° 221600
			£75

Tyres		
Standard Pneumatic	Standard Solid	Performance
Pneumatic:	Solid tyres:	Pneumatic:
<input type="checkbox"/> Schwalbe Right Run 1" (.13)	<input type="checkbox"/> Standard tyres 1" (.11)	<input type="checkbox"/> Schwalbe Marathon Plus, pneumatic flat free tyres, 1"
<input type="checkbox"/> Standard tyres 1 3/8" (.21)	<input type="checkbox"/> Standard tyres 1 3/8" (.21)	
	1 3/8" not for lightweight wheels!	Only for 22" und 24" wheels
N° 20..	£ 0 N° 23..	N° 20..12
		£65

¹ Double handrim, distance of handrims **tight**: Not in combination with hand rim cover or coated hand rim.

Mounting of handrims Please indicate the desired kind of mounting!			
Standard tight	Standard wide	High tight	High wide

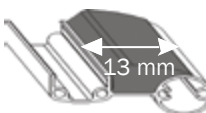
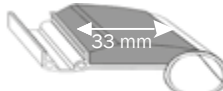
Handrim options			
Silicone cover	Ergo rubber inlay	Maxgrepp handrim	Ergonomic handrim

Caster wheels				
Standard PU	Standard solid rubber	Standard pneumatic	Design PU	Design solid rubber

To see the latest versions of our order forms, please visit www.sorgrollstuhltechnik.de/download-portal

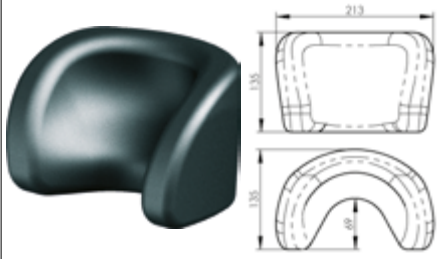
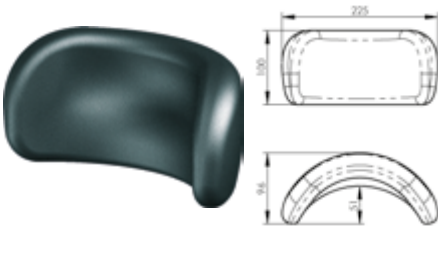
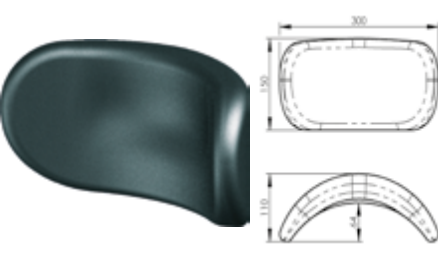
Handrims				
Mounting at standard wheel	Mounting at lightweight wheel	Ergonomic handrim	Design handrims	
<input type="checkbox"/> Standard / tight <input type="checkbox"/> Standard / wide <input type="checkbox"/> High / tight <input type="checkbox"/> High / wide Material: <input type="checkbox"/> Stainless steel (...01) <input type="checkbox"/> Alu, silver anodized(..75)	<input type="checkbox"/> Standard / tight <input type="checkbox"/> Standard / wide <input type="checkbox"/> High / tight <input type="checkbox"/> High / wide Material: Alu, silver anodized. Selection standard, high or 26" not possible with lightweight wheel drum brake	<input type="checkbox"/> handrim with ergonomic handrim profile, black anodized with built-in rubber grip only for 24" wheels	<input type="checkbox"/> Aluminium handrims coated in frame colour	
N° 30..	N° 30..75	N° 342424	£365	N° 303000 £48

Double handrim				
with drum brake hub	with standard hub		Distance of double handrim	
Mounting <input type="checkbox"/> left <input type="checkbox"/> right	Mounting <input type="checkbox"/> left <input type="checkbox"/> right	<input type="checkbox"/> handrim for opposite side	<input type="checkbox"/> standard 18mm (...11) <input type="checkbox"/> tight 9mm (...12) <i>Distance tight: Not in combination with hand rim cover or coated hand rim</i>	
N° 2615 £1050	N° 2614 £949	N° 261435 £140	N° 26..	



Handrim options				
Silicone <small>Not for double handrim 20"</small>	PVC	Ergo rubber inlay	Maxgrepp handrim	
Detachable silicone cover, black (soft surface) <input type="checkbox"/> for standard wheel (22-24) <input type="checkbox"/> for profile wheel (...02) <input type="checkbox"/> for lightweight wheel (...05)	<input type="checkbox"/> Handrim coated with black PVC, (Tetra Grip) Not for profile wheels	<input type="checkbox"/> Rubber inlay, 13 mm wide, Only for profile wheels	<input type="checkbox"/> Allows pushing with the heel of hands (soft surface), only for standard and lightweight wheels	
N° 32.. £140	N° 33.. £320			
for double handrim Detachable black silicone cover <input type="checkbox"/> for inner handrim <input type="checkbox"/> for outer handrim <input type="checkbox"/> for opposite handrim Not in combination with double handrim distance tight N° 2612				
N° 3205 £75/pcs	N° 262401 £175	N° 32..01 £180	N° 34.. £400	

Spoke cover	Design spoke covers / Design curved back			
Transparent	Design spoke covers	Please specify the desired model of the corresponding manufacturer:		Design curved back
<input type="checkbox"/> transparent (...00)	<input type="checkbox"/> www.speichen-schutz.de	<input type="checkbox"/> www.wheelchairgadgets.com	<input type="checkbox"/> Optional: child's name on spoke cover: Only for Design Decor	<input type="checkbox"/> Foil for curved back plate with the corresponding design as chosen below Only with curved back plate
N° 25.. £145	N° 25..26 TBD	N° 25..27 TBD	£ 0	N° 2527 £110

Caster wheels				
Standard PU	Standard solid rubber	Standard pneumatic	Design PU	Design solid rubber
Polyurethane: <input type="checkbox"/> 5" (2805) <input type="checkbox"/> 6" (2803)	Solid rubber: <input type="checkbox"/> 5" (2809) <input type="checkbox"/> 5.5" (2802) <input type="checkbox"/> 6" (2811) <input type="checkbox"/> 7" (2813)	Pneumatic, grey: <input type="checkbox"/> 6" (2808) <input type="checkbox"/> 7" (2807)	Polyurethane, transparent, with LEDs: <input type="checkbox"/> 5" (2834)	Solid rubber, black, with alu rim <input type="checkbox"/> 5" (2836) <input type="checkbox"/> 6" (2838)
£ 0	£ 0	£ 0	£ 0	£ 0


Head rests Measures in mm		
Model 1	Model 3	Model 4
		
shell-shaped	curved - small	curved - large


Belt systems			
2-point pelvic belt	4-point pelvic belt	Chest-shoulder belt	Protection cap
with plastic fastener 	with metal fastener 		only for metal fastener 

Caster forks			
Standard aluminium	Design aluminium	Quick release axle	Additional set
<input type="checkbox"/> Alu fork, black anodized 	<input type="checkbox"/> Alu fork, coated in chosen frame colour  <i>(Colour example)</i>	<input type="checkbox"/> Alu caster fork with quick-release axle <i>Not possible with N° 599520 (Outdoor front end), N° 2851 (Track fixation), N° 2850 (Locking).</i>	<input type="checkbox"/> Additional set of changeable caster wheels (incl. caster and fork); Caster size: _____ <i>Only with N° 2721 (Quick release axle). Not possible with N° 599520 (Outdoor front end), N° 2851 (Track fixation), N° 2850 (Locking).</i>
N° 2826 £ 0	N° 2829 £42	N° 2721 £166	N° 2830 £230

Caster wheels options		Hemi-Adapter
Track fixation	Locking	Adapter for lower seat heights
<input type="checkbox"/> Caster wheel track fixation (straight) <i>Not possible with N° 2721 (Quick release axle), N° 2830 (Additional set)</i>	<input type="checkbox"/> Locking mechanism for track fixation <i>Not possible with N° 2721 (Quick release axle), N° 2830 (Additional set)</i>	<input type="checkbox"/> Reduction of the seat height by 2.5 cm <i>Not in combination with outdoor front end Not in combination with 24" wheels (see page 16)</i>
N° 2851 £145	N° 2850 £180	N° 280540 £130

Frame options			
Anti-tipper	Outdoor Front End	Splash guard	Step tube
Swing-away installation Mounting <input type="checkbox"/> right <input type="checkbox"/> left <input type="checkbox"/> pair 	<input type="checkbox"/> Outdoor Front End, adjustable in width and length, facilitates significantly active and passive driving on soft or rough surfaces, incl. mounting aid 	<input type="checkbox"/> Splash guard for Outdoor Front End, made of plastic 	Mounting <input type="checkbox"/> right <input type="checkbox"/> left <input type="checkbox"/> pair N° 7400 £65/ pcs
N° 7215 £115/ pcs	N° 599520 £390	N° 59951212 £75	N° 7676 £230

Sun shade			
 Removable sun shade. Easily adjustable in height and position by flexible holder.	<input type="checkbox"/> Size 1 (only up to SW38) variably adjustable sun shade, in black Usable height (from the top edge of the seat plate/seat cover to the apex) = selected back height + 45 cm Example: BH 30 + 45 cm = 75 cm	<input type="checkbox"/> Size 2 (just from SW40) variably adjustable sun shade, in black Usable height (from the top edge of the seat plate/seat cover to the apex) = selected back height + 60 cm Example: BH 30 + 60 cm = 90 cm	<input type="checkbox"/> Extension set Increasing the usable amount of the Sun shade by 14 cm. N° 910305 £54/ Set
N° 910301 £220	N° 910302 £240	N° 910305 £54/ Set	

Positioning aids Here you will find a small selection to mark. More positioning aids in separate order form in our download area.			
Separate order form	2-point pelvic belt	4-point pelvic belt	Head rests
PLEASE REGARD On the separate order form „Positioning aids“ you will find many different products for positioning, e.g.: <ul style="list-style-type: none"> belts, fixations and corresponding connections, abduction wedges, side truss pads, head rests, and more...  On the order form refer to this new wheelchair order/enquiry.	<input type="checkbox"/> with plastic fastener 129,-€ <input type="checkbox"/> with metal fastener 149,-€ The size is determined by us according to the chosen wheelchair measurements.	<input type="checkbox"/> with plastic fastener 159,-€ <input type="checkbox"/> with metal fastener 189,-€ The size is determined by us according to the chosen wheelchair measurements.	All head rests including connection and stabilizer bar <input type="checkbox"/> Model 1, (...21) shell-shaped small <input type="checkbox"/> Model 3, (...23) curved small <input type="checkbox"/> Model 4, (...24) curved large
	<input type="checkbox"/> Chest-shoulder belt without zipper	<input type="checkbox"/> protection cap for metal fastener Makes independent opening for the patient difficult.	
	N° 7810 £175	N° 780502 £15	N° 6860.. £260

To see the latest versions of our order forms, please visit www.sorgrollstuhltechnik.de/download-portal


Possible seat heights

Rear wheel	Seat height (without cushion)						
	41	43.5	46	48.5	50.5	53	55
20"	✓	✓	✓	✓	✓	✗	✗
22"	✗	!	✓	✓	✓	✓	✗
24"	✗	✗	!	✓	✓	✓	✓
possible caster wheel sizes	4"	4"-5,5"	4"-6"	4"-7"	5"-7"	6"-7"	7"
possible caster wheel sizes + Hemiadapter	5"	6"	7"				

- ✓ recommended, no conflict between arm rest and wheel cover
- ✓ combination possible = tilting angle up to 34°, with gas pressure spring back up to minimum 28°
- ! combination limited possible, not with seat depth 42-48, not in combination with gas pressure spring
- ✗ combination not possible

Lateral support Note: When choosing an ERGO back, an extension joint is essential			
Holder	Extensions	Pad	
Holder adjustable, size 1, incl. linkage, without pad <input type="checkbox"/> left side (..01) <input type="checkbox"/> right side (..02) N° 685901.. £175/pcs	Additional extension of joint for size 1 (3,8 cm) (..0103) 1 St. 2 St. <input type="checkbox"/> <input type="checkbox"/> for size 2 (5,5 cm) (..0203) 1 pos. 2 pos. <input type="checkbox"/> <input type="checkbox"/> Essential with ERGO back	for truss pad size 1 Attention: Cushions for size 1 can only be mounted on truss pads size 1. 1 pcs. 2 pcs. <input type="checkbox"/> <input type="checkbox"/> 10x7cm (..04) <input type="checkbox"/> <input type="checkbox"/> 10x9 cm (..05)	for truss pad size 2 Attention: Cushions for size 2 can only be mounted on truss pads size 2. 1 pcs. 2 pcs. <input type="checkbox"/> <input type="checkbox"/> 15 x 10 cm (..04) <input type="checkbox"/> <input type="checkbox"/> 18 x 13 cm (..05)
N° 685902.. £175/pcs	N° 6859.. £55/pcs	N° 685901.. £55/pcs	N° 685902.. £50/pcs

Therapy tables			
Mounting	Transparent	Beech wood (varnished)	Design
<input type="checkbox"/> Variation 1, N° 9204.. hinged sideways, adjustable in height and distance, Mounting <input type="checkbox"/> right <input type="checkbox"/> left <input type="checkbox"/> Variation 2, N° 9207.. adjustable in height and distance, plugged under arm rests on both sides Arm pads required!	<input type="checkbox"/> Size 1 45 x 36 cm N° ..10 £290 <input type="checkbox"/> Size 2 59 x 45 cm N° ..11 £300 <input type="checkbox"/> Size 3 70 x 50 cm N° ..12 £320	<input type="checkbox"/> Size 1, 50 x 40 cm N° ..13 £310 <input type="checkbox"/> Size 2, 60 x 50 cm N° ..14 £345	<input type="checkbox"/> Number of design for acrylic glass therapy table according to wheelchairgadgets.com: N° 920099 £85

Compatibility with electrical drive systems or Outdoor-Front-End	Transport brackets
Please tick appropriate box if number N° 58507105 was selected (Without ticking an appropriate box, delivery will be without compatibility to additional systems): <input type="checkbox"/> Outdoor-Front-End (restraint brackets at the front) <input type="checkbox"/> Additional electrical drive system (restraint brackets at the back) <input type="checkbox"/> Neither Restraint brackets must be replaced by a subsequent fitting of an Outdoor-Front-End or an electrical drive system to the wheelchair	<input type="checkbox"/> Transport brackets (4 pieces) for transportation in a handicapped accessible passenger car  N° 58507610 £329

Electric drives and systems		
Recommendations	Provider	Information
1. For all possible drives and systems we recommend casters of 6" or higher. 2. Please regard the respective mounting possibilities and specifications given on the homepages indicated on the right	for example www.aat-online.de or www.alber.de	Restrictions and adjustments to the installation and the final configuration of the wheelchair are the responsibility of the providers of the additional systems.

Terms and conditions

1. Preface and Scope

(1) Our terms and conditions apply exclusively. Any deviating, opposing, or complementing terms and conditions on the part of the business partner do not form integral part of contract unless explicitly approved of by us. There are no exceptions to the consent requirement, which also applies in cases where we conduct deliveries without restrictions while aware of the business partner's terms and conditions.

(2) Agreements made in the individual case with the purchaser (including side-agreements, supplements, and alterations) always take priority over these terms and conditions. A contract or our confirmation - both in written form - are authoritative for the content of such arrangements.

(3) Any legally relevant declarations and notifications the purchaser submits to us after conclusion of the contract (e.g. setting of deadlines, notice of defects, declarations of rescission or abatement) require the written form to be valid.

(4) Any information on the application of legal regulations serves the mere purpose of clarification. All regulations are legally binding without any such clarifications unless explicitly altered or excluded in these terms and conditions.

2. Prices

All prices are ex works, excluding insurance and packaging. The prices are net prices; the value-added tax is stated and charged separately according to the legally binding rate at the time of invoicing. The prices valid on the day of delivery are binding unless explicitly arranged otherwise.

3. Conclusion of Contract

SORG's offers are invitatio ad offerendum (invitations to treat). Ordering goods counts as an obligatory offer of contract on the part of the purchaser. Unless the order suggests otherwise, we have the right to accept this contract offer within two weeks time after reception. The acceptance of an offer of contract is effected by the confirmation of the order.

4. Terms of Payment

(1) Provided that no other agreements exist, payment is to be made by paying in advance - 50% at placing of order, 50% pre-delivery of goods. The purchaser bears any costs arising from transactions or discounting.

(2) If a 30-day payment deadline is exceeded, a delay rate of 9% on top of the respective base rate of the European Central Bank falls due without the need for prior notices. Beyond that, the purchaser is charged 3,- € for any reminder sent. We reserve the right to make use of the commercial due rate according to § 353 HGB. A higher damage for delay may be enforced via a suitable verification.

5. Offers and Validity

All current price lists are generally valid until December 31 of the respective year, or until new price lists are published. The latest version of the price list will always be provided on our homepage. Offers older than 3 months at that point expire and must be replaced with new offers and prices.

6. Time of Delivery and Delay

We state the terms of delivery when accepting the order. The delivery date is non-binding and has mere guideline value - especially with regard to customised products. The terms for delay in delivery are defined by legal regulations. In any case, a writing notice issued by the purchaser is necessary for them to take effect.

7. Force Majeure (Act of God)

(1) SORG is not to be held responsible for the following delays of delivery. This also applies if these causes occur with respect to legal representatives, auxiliary persons, or deliverers of SORG: Circumstances of force majeure as well as other extraordinary events that are unpredictable and unavoidable for, and not caused by, SORG, and that only occur after ordering or reserving, and that SORG could not have known about. Moreover, this applies in case of strikes, fire, floods, labour disputes, business disruptions, altered magisterial approbation and legal situation, and magisterial orders which are not due to operational risks.

(2) In the cases of paragraph 1, SORG is eligible to delay delivery/performance for the time of hindrance as well as an appropriate start-up time. If SORG thus causes unacceptable complications for the purchaser, both SORG and the purchaser are eligible to withdraw from the contract. Circumstances that only lead to a temporal and hence acceptable delay of delivery and performance are excluded from this right. The legal rights of the client remain unaffected.

8. Dispatch

We generally dispatch uncovered by insurance and at the recipient's risk. We transfer the risk of accidental loss or deterioration of the goods as well as delay on to the client at the moment of passing the goods on to the forwarder, bearer, or any other person/institute responsible for delivery. SORG will make any effort to respect the client's wishes in terms of path and kind of delivery. Any costs caused by this (including agreed carriage free delivery) are to be covered by the client.

In the case of carriage free delivery conducted by SORG, the recipient is required to put forward any carriage costs for a refund. If the client wishes the dispatch to be delayed, any risk of loss or deterioration of the goods is carried by the recipient from the first day of readiness for dispatch. The goods dispatched are only insured upon special demand and at the cost of the recipient.

9. Damage through Delivery Angelieferte Gegenstände sind, auch wenn sie unwesentliche Mängel
Upon delivery, the goods need to be checked for obvious damage in the presence of the bearer. Any damage is to be documented in a written form and co-signed by the bearer. This protocol is to be forwarded to us immediately. Delayed reclamations, or reclamations not signed by the bearer, cannot be taken into account.

10. Warranted Features, Receipt, and Technical Alterations

Delivered objects, even with minor damage, are to be accepted by the client, even if §433 paragraph 1 BGB is not fulfilled. Partial deliveries are permissible. Features only count as warranted if explicitly designated as such. A warranty of condition can only be asserted explicitly and in a written form. SORG reserves the right for technical alterations, especially for solutions of equal or higher value.

11. Warranty for Defects

(1) SORG warrants for any defects of delivered new goods for 12 months as long as the purchaser is not the user (§§ 474, 13 BGB). Should the purchaser be the user then the warranty period is two years for new goods, for used goods 12 months. Should the purchaser also be an entrepreneur, then the liability for used items is void, as long as there is no claim for compensation according to N° 12.

(2) The purchaser's claim for defects presuppose that he has attended his obligation to give notice of defects on the legal grounds for his reasons of inquiry (§§ 377, 381 HGB). If defects are found during the inspection or at a later point, we are to be notified in writing without delay. The notice counts as not delayed if issued within two weeks. Posting the notice on time suffices for the keeping of the term. Independently from this obligation to inspect and give notice, the purchaser

is to report obvious defects (including wrong and short delivery) within two weeks upon delivery (again, posting the notice on time suffices). If the purchaser misses the proper inspection and/or notice of defects, we do not warrant for the reported defects. If the delivered good is detected, we may choose to conduct supplementary performance either by repairing the defect (subsequent improvement) or by delivering flawless goods (compensation delivery). Our right to refuse the chosen method of supplementary performance on the respective legal grounds remains untouched.

(3) Our liability for defects expires when alteration or maintenance works are done by the client or a third-person-party without our prior written permission. Consequences of excessive strain, negligent or incorrect handling, and violent damage are excluded from the warranty for defects.

12. Further Liability

(1) With respect to compensation - regardless of the legal cause - SORG is only liable in case of malice and act of gross negligence. In case of slight negligence, SORG is only liable for damage of life, body, health, and for damage caused by the negligence of an essential contractual obligation (an obligation whose fulfilment make the proper realisation of the contract possible in the first place and in whose fulfilment the contract partner regularly trusts and can trust). In this case, however, our liability does not exceed the covering of predictable, typically occurring damage.

(2) A free right to termination on the part of the purchaser (acc. to § 651, 649 BGB in particular) is precluded. Otherwise, the usual prerequisites and legal consequences apply.

13. Costs of Supplementary Performance

Costs of supplementary performance cannot be charged on SORG's account.

14. Voluntary Withdrawal of Goods

SORG is not obliged to take back any delivered end products or parts thereof. If SORG voluntarily decides otherwise in individual cases (especially for therapeutically altered requirements or deaths), SORG refunds a maximum of 75% of the delivery costs for unused parts whose delivery does not date back more than three months. There is no legal obligation concerning withdrawal in this respect. Deliveries which date back more than three months as well as sewed parts and customised products are not returnable. A copy of the delivery note or the bill serves as proof of age of delivery.

15. Reservation of Ownership

Goods delivered by SORG remain the property of SORG until any obligations from the parties' business contract on the part of the purchaser have been redeemed. This also applies if SORG has adapted individual or all claims into a running account which has been balanced and acknowledged. The purchaser has the right to dispose of the goods in the proper course of business. The purchaser hereby yields all claims to SORG which arise from the resale against the purchaser or third parties. The purchaser is authorised to withdraw these claims even upon conveyance. SORG's right to withdraw the claims remains untouched. However, SORG is obliged not to withdraw the claims as long as the purchaser complies with his duty of payment and any other duties. SORG has the right to demand that the purchaser makes known the yielded claims and their debtors, that he provides all information necessary for conveyance, and that he hands in all associated documents. As long and insofar the reservation of ownership is intact, the purchaser must not transfer any goods for securing or bailment without SORG's permission. The purchaser may process or alter the goods for the benefit of SORG exclusively. If processed with other goods which do not belong to SORG, SORG obtains co-ownership of these new goods in relation to the invoice value to the cost price of the other processed goods. If a third party interferes with SORG's ownership, the purchaser is to notify SORG immediately. The purchaser must not make any agreements with other purchasers which may exclude or limit SORG's rights. In particular, the purchaser must not make any agreements which destroy or limit the advance assignments to SORG. If the estimated value of the existing guarantees exceeds the claims to be ensured by more than 20%, SORG is insofar obliged to release by request of the purchaser.

16. Copyright Protection

If SORG conveys any images, drawings, indications of weight or measurements, technical documentations, or other product descriptions and documents (including electronic ones), the respective indications only apply if explicitly stated that they do. SORG reserves ownership and copyright of all these documents. They may only be made available to third parties upon SORG's explicit permission.

17. Place of Fulfilment, Place of Jurisdiction, and Severability Clause

(1) The law of the Federal Republic of Germany applies for these Terms and Conditions and all legal relations between us and our business partners. All international and supranational (contractual) legal systems, the UN Convention on Contracts for the International Sale of Goods in particular, are hereby excluded. Prerequisites and effects of the reservation of ownership acc. to no. 15 are subject to the right of the respective storage location of the good if the choice of law made in favour of the German law is illegitimate or ineffective. The only place of jurisdiction (also on an international basis) for any disputes arising directly or indirectly from the contractual relationship is, according to German Commercial Code, our office in Oberhausen-Rheinhausen, Germany. However, we also have the right to file a suit concerning the general jurisdiction of the purchaser.

(2) If any clause in these Terms of Conditions should turn out to be ineffective, this does not affect the effectiveness of all other clauses.

Technical alterations and misprints reserved. As of: January 2017

SORG Rollstuhltechnik GmbH + Co. KG
Benzstr. 3-5, 68794 Oberhausen-Rheinhausen / Germany
Phone +49 7254 / 9279-0
Fax +49 7254 / 9279-10
info@sorgrollstuhltechnik.de, www.sorgrollstuhltechnik.de