



magic
360

Options &
Accessories Guide

Contents

Introduction

Magic 360 Base Overview
Magic 360 Seating Overview

Options & Accessories

Colour	Arm pad
Wheels	Positioning
Base	Controller
Seat	Joystick
Backrest	Leg rest
Headrest	Footplate
Armrest	Accessories

Resources

How to Videos
Technical Manual
Owners Manual
Cable Management Guide
Critical Spares List
Brochure



magic
Mobility

magic
360

Magic 360 Seating Overview

The Magic 360 is the world's most versatile compact chair with off-road capacity. Tailored for the world you live in, the Magic 360 lets you choose the life you want. Configure the body style of the chair to suit your tastes. Select the wheels for the adventures you choose. Tailor the world to suit you. Your chair. Your choice.

Three easy change wheel choices open up a wheelchair users world like never before.

- * Urban 14" drive wheels for ultimate indoor & urban manoeuvrability
- * Crossover 14" drive wheels to enable users to traverse the widest possible terrain
- * Off-road 14" drive wheels for maximum traction outdoors





Magic 360 Base Overview

The Magic 360 is the world's most versatile compact chair with off-road capacity. Tailored for the world you live in, the Magic 360 lets you choose the life you want. Configure the body style of the chair to suit your tastes. Select the wheels for the adventures you choose. Tailor the world to suit you. Your chair. Your choice.

Three easy change wheel choices open up a wheelchair users world like never before.

- * Urban 14" drive wheels for ultimate indoor & urban manoeuvrability
- * Crossover 14" drive wheels to enable users to traverse the widest possible terrain
- * Off-road 14" drive wheels for maximum traction outdoors

Shroud Colours



Sunset Red

Option code: MAG5522



Horizon Blue

Option code: MAG5521



Midnight Black

Option code: MAG5520

Shroud Colours



Rich Garnet

Option code: MAG5528



Desert Orange

Option code: MAG5525



Sunrise Yellow

Option code: MAG5523

Shroud Colours



Lucent Lime

Option code: MAG5524



Vivid Pink

Option code: MAG5527



Dusk Purple

Option code: MAG5529

Shroud Colours



Stormy Silver

Option code: MAG5526



Flames Fury

Option code: MAG5531



Camo Forest

Option code: MAG5530

Shroud Colours



Carbon Fibre

Option code: MAG5532

Wheels



Crossover Wheels - Black

Option code: MAG5928

Description:



Crossover Wheels - Grey

Option code: MAG5929

Description:



Urban Wheels - Pneumatic - Black

Option code: MAG5925

Description:

Wheels



Urban Wheels - Pneumatic - Grey

Option code: MAG5927

Description:



Urban Wheels - Solid - Black

Option code: MAG5294

Description:



Urban Wheels - Solid - Grey

Option code: MAG5926

Description:

Wheels



Offroad Wheels

Option code:

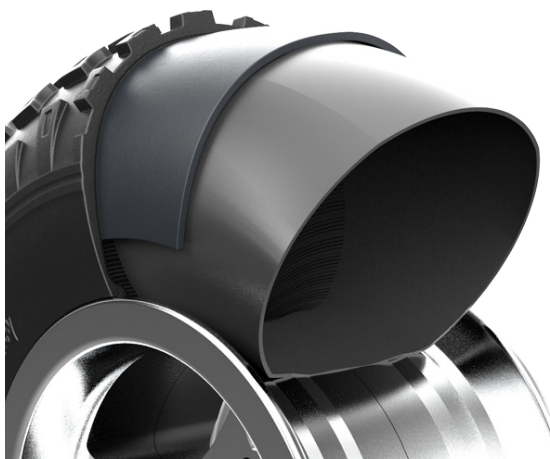
Description:
Available with liner



Puncture Resistant Tyre

Option code:

Description:
Available on the following wheels

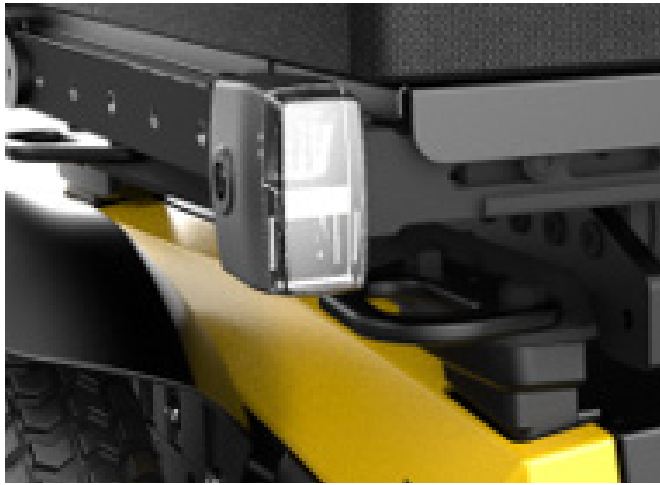


Neverflat Tyres

Option code: MAGFLAT-NEW

Description:

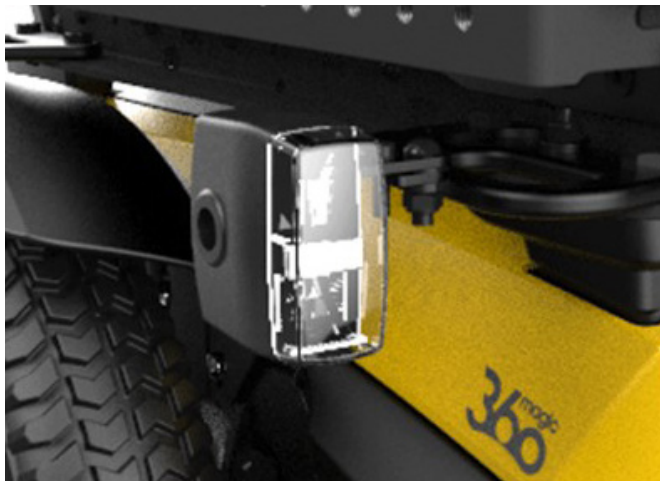
Lights



Lights Mounted on Seat

Option code: MAG5142

Description:



Lights Mounted on Base

Option code: MAG5729

Description:

Seat - Tilt



Fixed Tilt

Option code: MAG5984

Description: Our standard seat tilt option across all Magic mobility powered wheelchairs, manually adjustable via tools to 0, 3, 6 and 9°.



50 Degree Powered Tilt

Option code: MAG5127

Description: Provides 0 to 50° of infinite tilt adjustment controlled by the wheelchair input device. Provides users with the largest range of tilt for comfort, pressure care and postural needs, whilst maintaining their centre of gravity in the chair.



45 Degree Tilt and Lift

Option code: MAG5126

Description: Gives 0 to 30° of tilt adjustment and up to 30cm (12") of seat lift controlled through the wheelchair input device. Preserves the comfort, posture and pressure care advantages of tilt with a lifting feature for access and social interaction.

Seat - Frame



Seat Height

Option code: MAG6552

Description:
Available to order with +25 etc.



Rehab Seat Pan

Option code: MAGREHABSEATPAN

Description:
grows from

Seat - Cushion



Omit Seat Cushion

Option code: MAGWOSEATCUSH

Description: Provides a level base for use with the client's preferred seat cushion. This base is compatible with the entire JAY seat cushion range.



MPS Seat Cushion

Option code: MAGCMRC

Description: Available in (?name) fabric or wipe-down upholstery options, the MPS seat features lateral support with a deep well for pelvic stability and reduction in pressure under the ischial tuberosity 'sit bones'.



Flat Padded Seat Cushion

Option code: MAGPADDEDSC

Description: IS THIS PHOTO CORRECT? The flat profile of this cushion is designed to aid clients in forward transfers.

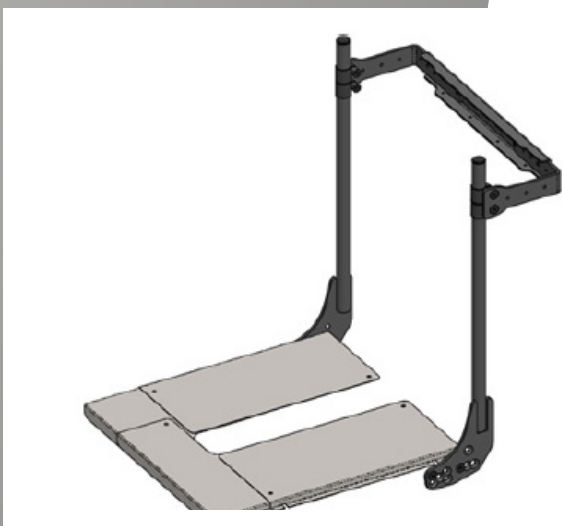
Backrest - Frame



Rehab Canes

Option code: MAGREHABCANES

Description: Available on on Magic Mobilty models, the rehab canes are compatible with a wide range of specialist seating options, including the entire JAY back support range.



Rehab Canes - Fold Forward

Option code: MAGREHABFOLD

Description: The quick-release fold forward mechanism is designed to enable wheelchair storage in height restricted areas. This option is also angle adjustable via tools.



Rehab Peg Handles

Option code: MAG46354636

Description:

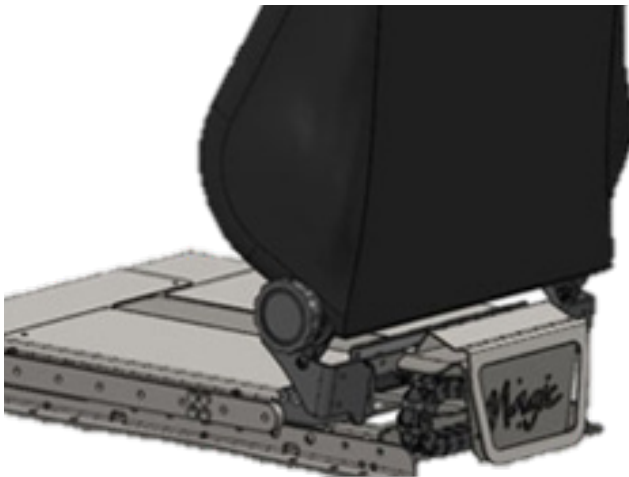
Backrest - Recline



Fixed Backrest Angle

Option code: MAG3922-3923-F

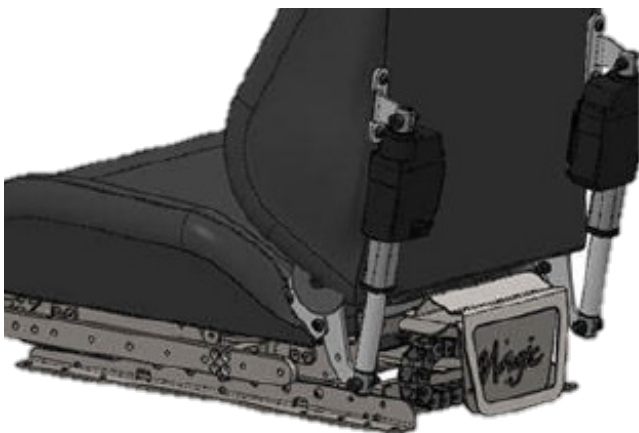
Description:



Manual Recline

Option code: MAG3926-S-3927-F

Description:



Power Recline

Option code: MAG3930-S-3931-F

Description:

Backrest - Recline



Anti-Shear Power Recline

Option code: MAG3934-S-3935-F

Description: This bio-mechanical backrest articulates as it reclines, maintaining body position and reducing shear forces. It is ideal for clients who use large amounts of recline or need to maintain alignment with seating supports or special input devices.

Backrest - Cushion



MPS Insert Backrest

Option code:

Description:



Rehab Insert Backrest

Option code: MAGBACKRESTINSERT

Description:



Sling Backrest

Option code:

Description: PHOTO

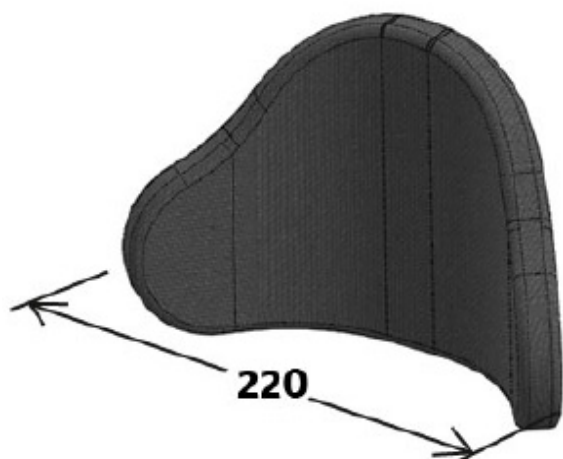
Headrest - Pad



MPS Headrest

Option code: MAG1718-V-MPS

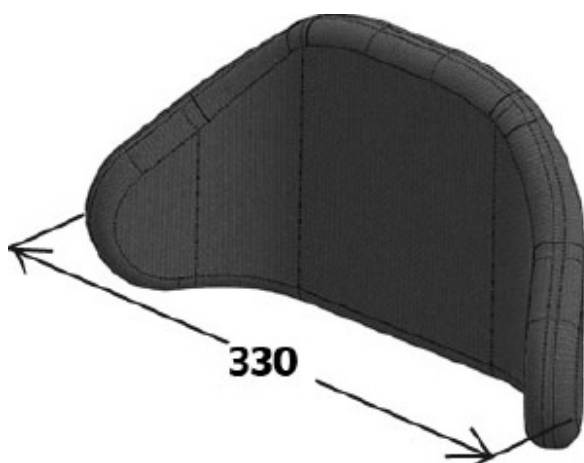
Description: Mounted on an automotive-style height adjustment mechanism, this headrest features integrated cloth or wipe-down cover options.



Rehab Headrest - Standard

Option code: MAGREHABSTD

Description:

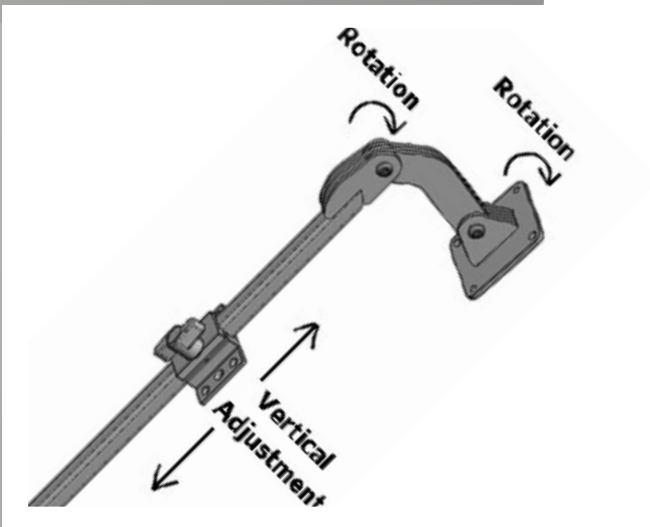


Rehab Headrest - Wide

Option code: MAGREHABWIDE

Description:

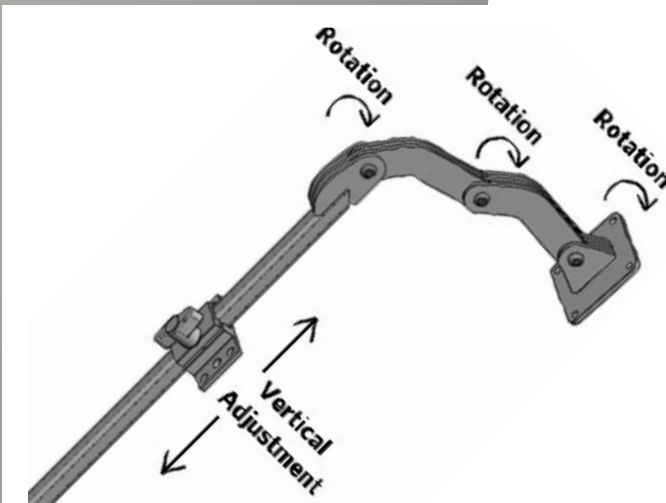
Headrest - Stem



2 Axis Headrest Stem

Option code: MAG4406

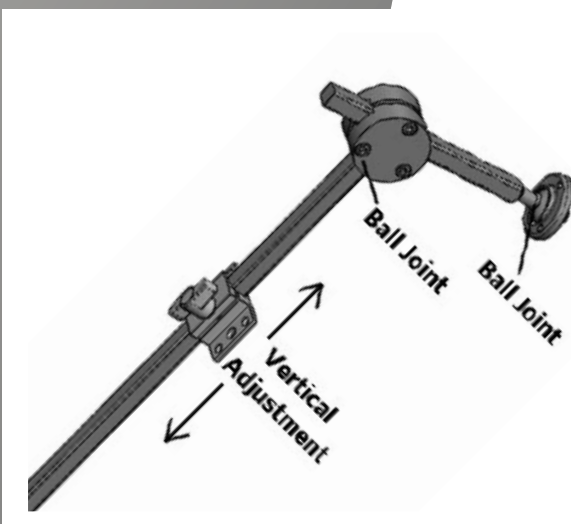
Description: Allows vertical and forward adjustment for a comfortable fit.



3 Axis Headrest Stem

Option code: MAG4407

Description: The 3 Axis headrest stem has greater depth adjustment capability, ideal for clients who require a more forward head position due to kyphosis, growth adjustment or a deep back support.



Multi Axis Headrest Stem

Option code: MAG4405

Description: Our most adjustable integrated head support hardware, the Multi Axis headrest stem enables height, depth and lateral adjustment via a ball joint.

Armrest



Flexi Armrest

Option code: MAGFLEXIARM

Description:



Flexi Armrest with Locked Position

Option code: MAG3800ARLW

Description:



Standard Armrest - Single Stem

Option code: MAG3572

Description:

Armpads



MPS Armpad

Option code: MAG3971/2

Description:



50mm Armpad

Option code: MAGAP50-2

Description:

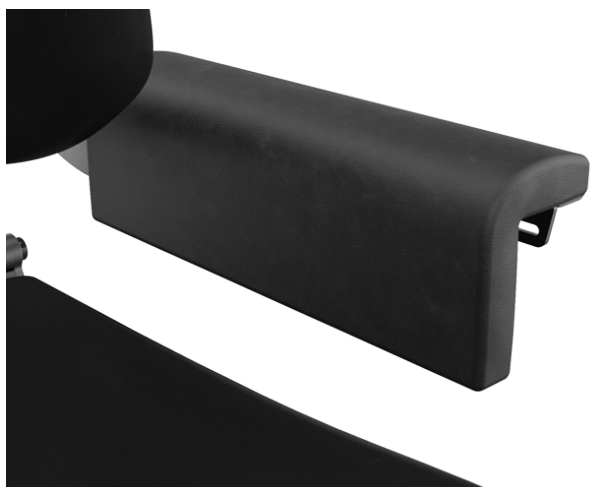


75mm Armpad

Option code: MAGAP75-WOKOR-2

Description:

Armpads



Waterfall Armpad

Option code: MAGAPW-2

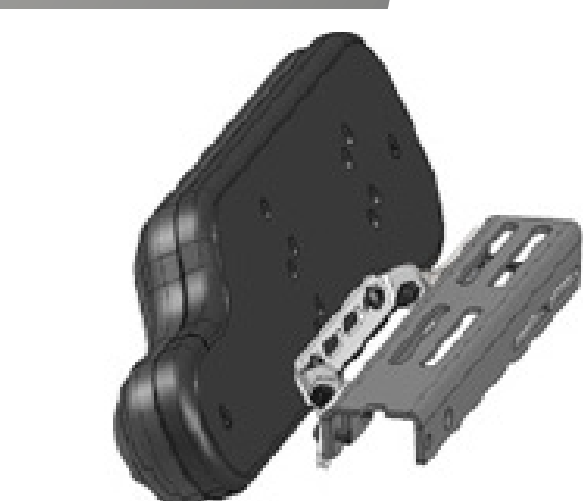
Description: The comfortable, rounded shaping of the Waterfall Armpad eliminates interior edges for clients who tend to rest hands in their lap and can assist in lateral pelvic support.



Gutter Armpad

Option code: MAG3772

Description: Provides lateral support to the upper limb to help hold weak limbs in place, such as those affected by paralysis or progressive neuromuscular conditions.



MPS Flip-Out Armpad

Option code: MAG3712

Description: This armpad provides a wide support surface when in situ, but has a flip-out design for maximum clearance when transferring in or out of the wheelchair.

Positioning - Belts



Standard Posture Belt

Option code: MAG49734974

Description:

Available as standard or with 2 pads
MAG4973-4974-PBPAD



Retractable Lap Belt

Option code: MAG4730

Description:



4 Point Posture Belt

Option code: MAGPB4P

Description: Available as standard or
with 2 pads MAGPB4P+2xPBPAD

Positioning - Supports



Adjustable Thoracic Support Pad

Option code: MAG1506

Description: PHOTO



Adjustable Thoracic Support Pad (MPS)

Option code: MAG4943

Description:

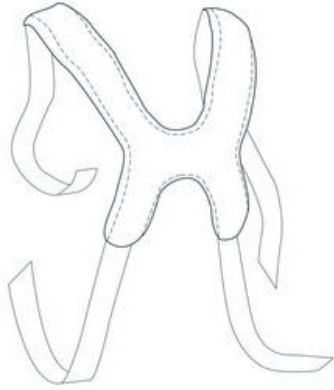


Hip Pads on Adjustable Brackets

Option code: MAGHPKIT

Description: These provide configurable lateral pelvic support for a precise fit.

Positioning - Harnesses



Standard Harness

Option code: MAGHARQ

Description: Available in paediatric sizes MAGHARP



Shoulder Strap

Option code: MAGSHOULDERSTRAP

Description: PHOTO



Chest Strap

Option code: MAGCHESTSTRAPVINYL

Description:

Controller - Joysticks



Basic LED JSM

Option code: MAGPG-JSMLEDL

Description: PHOTO This simple, user-friendly R-NET proportional controller offers speed/profile adjustment, mode selection, horn, and optionally light control functions.



Colour Screen JSM

Option code: MAGPG-JSML-PI

Description: PHOTO The Colour Screen R-NET Joystick Module has a high resolution colour LCD screen with large, highly visible icons. Text displays are programmable to client needs, including display language. This JSM comes with two plug and play buddy button/switch sockets.



Colour screen JSM2 + Bluetooth + IR

Option code: MAGPG-JSMIRBT

Description: Our most advanced JSM, this controller has all the features of the Colour Screen JSM plus the largest LCD screen, programmable soft key and the ability to control infrared as well as bluetooth devices. It is also available with IR only as part MAGPG-JSM2IRL.

Controller - Mounting



Standard Joystick Mount

Option code: MAGJSRIGHT/LEFT

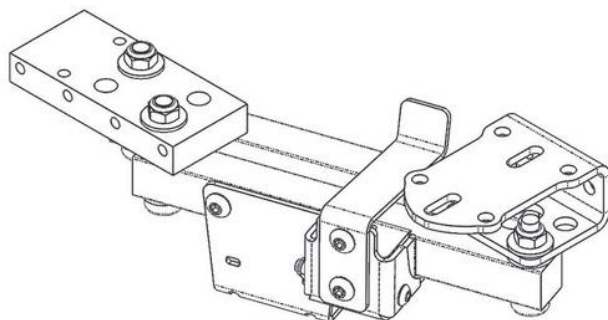
Description: PHOTO The Standard Joystick Mount offers an adjustable and robust joystick controller mounting solution.



Swingback Mount (Magnets)

Option code: MAG3083-KIT-OS

Description: Swings out of the way to access tables and desks. This mount is also available to swing to the inside with part MAG3083-KIT-IS.



Swingback Mount (Latch)

Option code: MAG3082-KIT-OS

Description: Allows joystick to latch in place once swung to the side. This mount is also available to swing to the inside with part MAG3082-KIT-IS.

Controller - Mounting



JSM Mounted as Attendant

Option code: MAG3329JSM-KIT

Description:



Attendant Control Module

Option code: MAG3329AM-KIT

Description:



Quick Release Stem

Option code: MAG3729STD

Description: available with swingback option MAG3729SB

Controller - Mounting



Height Adjustable Joystick Stem

Option code: MAG3713

Description:



Height Adjustable Drop Down

Option code: MAG4737-KIT

Description:

Controller - Joystick Knobs



Standard Knob

Option code: MAGKNOBSTD

Description:



Stick S30 Joystick Knob

Option code: MAGPG-KS30

Description:



Stick S80 Joystick Knob

Option code: MAGPG-KS80

Description:

Controller - Joystick Knobs



Chinc C38 Joystick Knob

Option code: MAGPG-KCHIN

Description:



Ball B32 Joystick Knob

Option code: MAGPG-KB32

Description:



Ball B38 Joystick Knob

Option code: MAGPG-KB38

Description:

Controller - Joystick Knobs



Mushroom M48 Joystick Knob

Option code: MAGPG-KM48

Description:



T-Bar T80 Joystick Knob

Option code: MAGPG-KTBAR

Description:



Soft-Ball SB70 Joystick Knob

Option code: MAGPG-KSB70

Description:

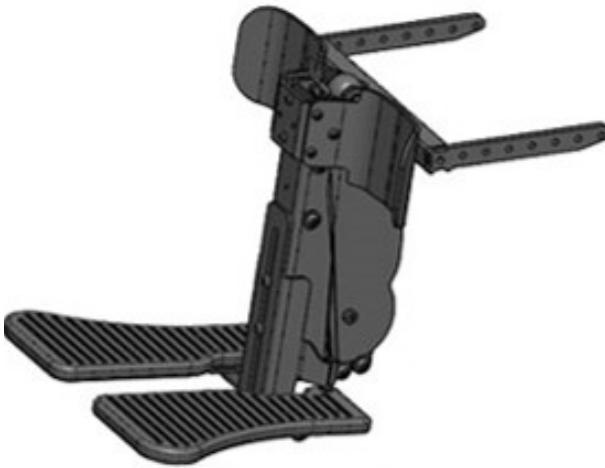
Legrest



X8 Centre Mount Legrest

Option code: MAG4053

Description: Centrally mounted for optimised indoor manoeuvrability and ideally suited for clients who can sit with their legs together. The X8 centre mount legrest has individually height and angle adjustable footplates.



Powered Centre Mount Legrest

Option code: MAG2260-KIT

Description:



Manual Swingaway Legrest

Option code: MAG3528-4168

Description: These legrests provide swing-away functionality for ease of transfers and access to standing frames. The Manual Swingaway Legrests have height adjustable calf supports as well as height and angle adjustable footplates.

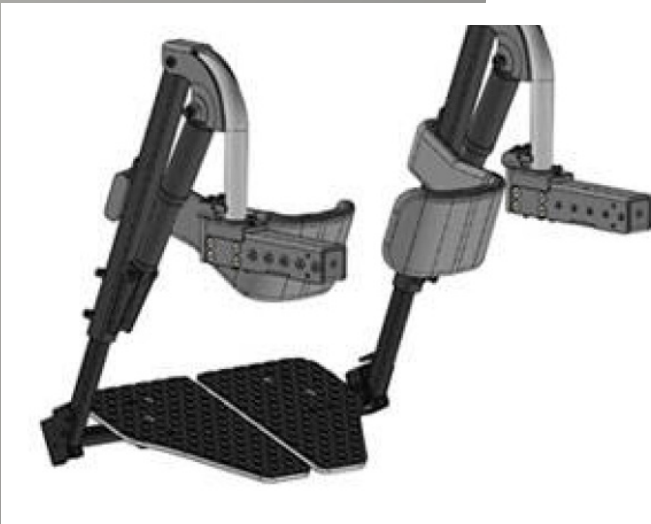
Legrest



Manual Elevating Legrest

Option code: MAG3527

Description: These Manual Elevating legrests are swing-away and detachable, with a height adjustable calf pad. Footplates are adjustable in angle and height.



Powered Elevating Legrest

Option code: MAG3526

Description: These robust swing-away Powered Elevating legrests allow the client to adjust elevation level independently. They have height adjustable calf supports as well as height and angle adjustable footplates.

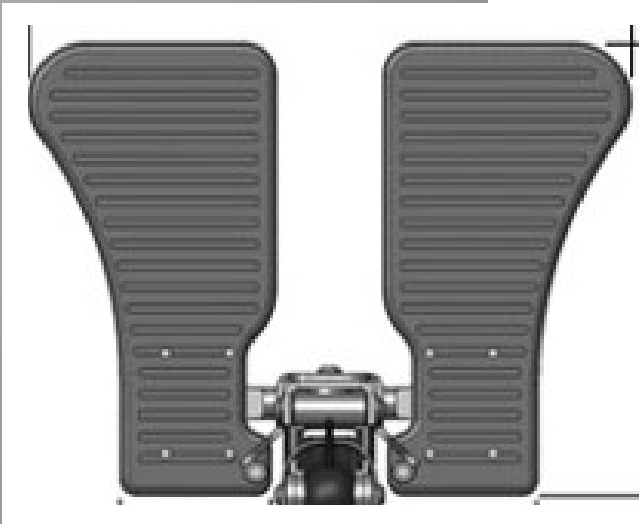
Footplate



Centre Post 1 Piece Flip Up

Option code: MAGFLIPUPC

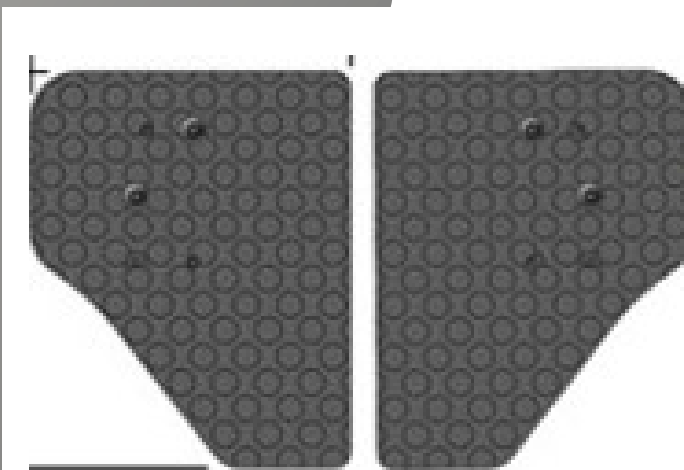
Description:



Centre Post 2 Piece Flip Up

Option code: MAG44172FFU

Description:

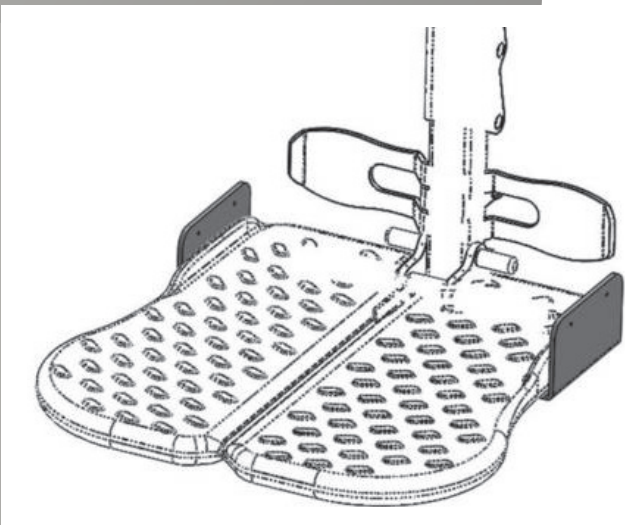


Swingaway 2 Piece Flip Up

Option code: MAGFLIPUP

Description:

Footplate - Accessories



Metal Edges on Footplate

Option code: MAGMETALEDGES

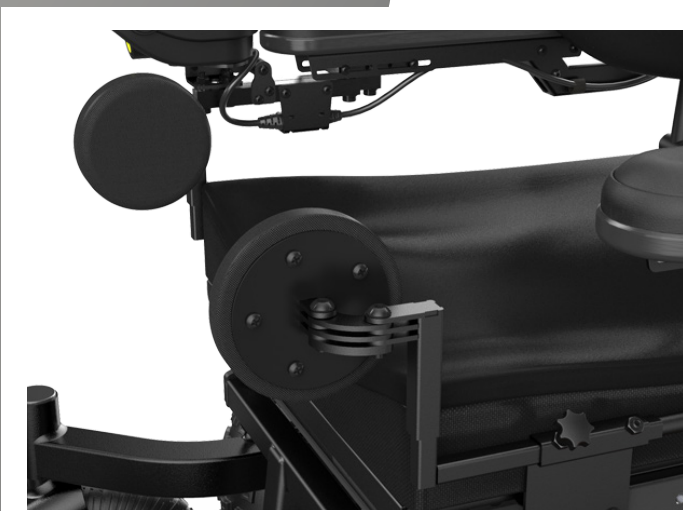
Description: Provide lateral support to feet to assist in maintaining position on the footplates, particularly when travelling over bumpy terrain.



Calf Support

Option code: MAGCALFSUPPORT

Description:



Knee Pads

Option code: MAG4104

Description: Our Magic Mobility kneepads provide height, depth and width adjustable lateral support to the lower limbs.

Accessories



Bag Hooks on Backrest

Option code: MAG2040-LANDR

Description:



Bag Hooks on Spreader Bar

Option code: MAG5723

Description:



Bag Hooks on Back Canes

Option code:

Description: MAGHOOKA2-KIT

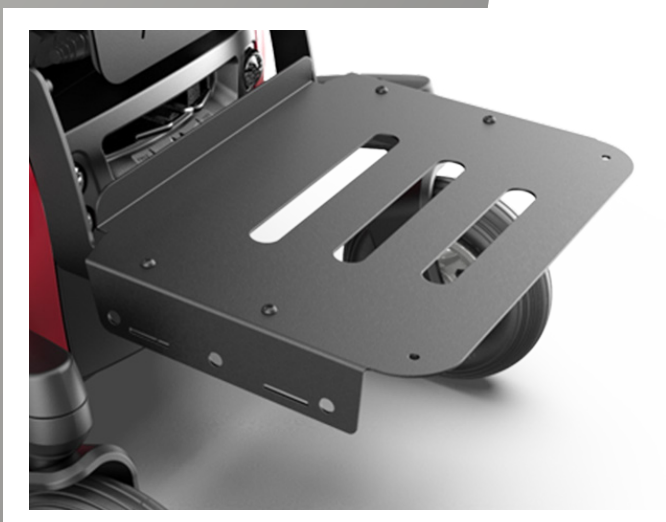
Accessories



Armrest Bag Hooks

Option code: MAGH00KA2RH/LH

Description:



Luggage Rack

Option code: MAG3197

Description:

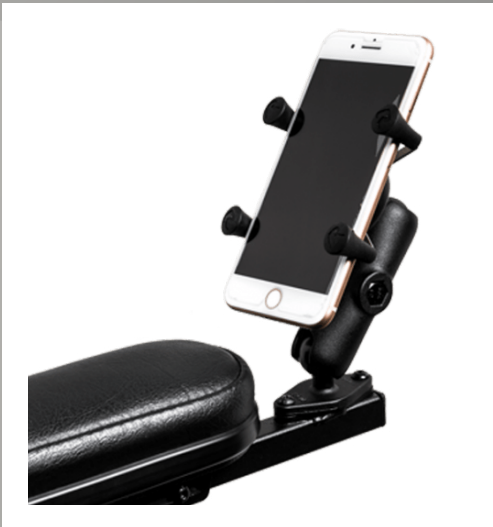


RAM Cup Holder

Option code: MAG4471

Description:

Accessories



RAM Phone Holder

Option code:

Description:



RAM Tablet Holder

Option code:

Description:



Loud Horn

Option code: MAG5360

Description:

Accessories



A4 Accessory Bag

Option code: MAGACB

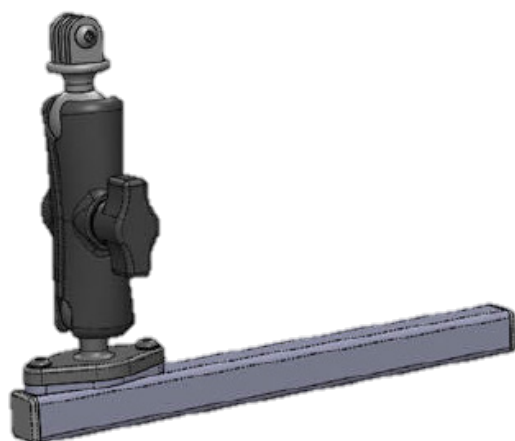
Description:



A4 & A5 Armrest Bags

Option code: MAGACBRH/LH

Description:

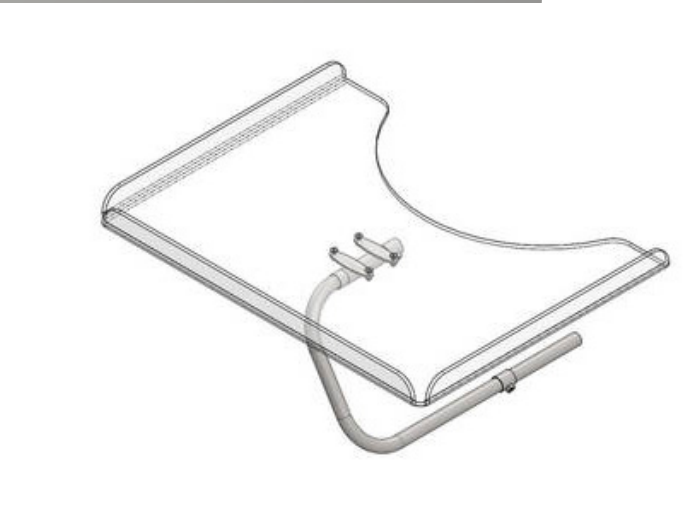


Action Camera Holder

Option code:

Description:

Accessories



Swingaway Small Table

Option code: MAG2677

Description:



Swingaway Clear Table

Option code: MAGCLEARTAB

Description:



Retractable Docking Pin

Option code:

Description:

Resources

How to Videos

- 1) Adjusting Flexi Armrests
- 2) Changing the Batteries with Tilt
- 3) Changing Tyres
- 4) Adjusting the Shock Pre-Load
- 5) Adjusting the Seat Module COG
- 6) Adjusting the Seat Module Height
- 7) Changing the Batteries
- 8) Changing the Drive Wheels
- 9) Changing the Colour Shrouds
- 10) Changing the Motors
- 11) Removing Castor Flutter
- 12) Adjusting seat with Lift and Tilt
- 13) Adjusting Seat Width and Depth

Resources

Technical Manual

Owners Manual

Cable Management Guide

Brochure

Critical Spares - Stocked in the UK



Thorns Road, Brierley Hill,
West Midlands, DY5 2LD
Tel.: +44 (0)845 605 66 88
Fax: +44 (0)845 605 66 89
www.SunriseMedical.co.uk



DRAFT FOR REVIEW