

Magic 360



Rev 5.:10/2023

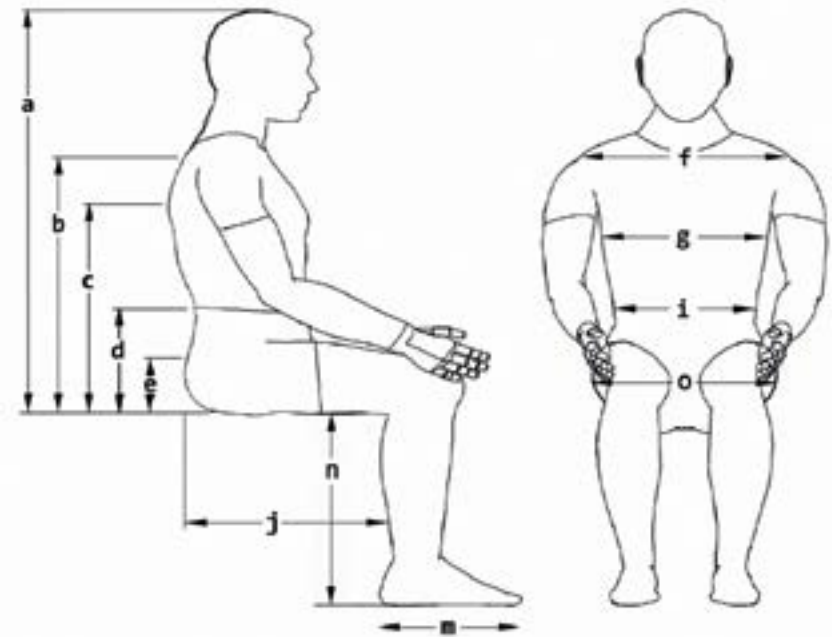
ORDER FORM

Errors and imissions excepted..

Billing Address Or Customer-ID			Shipping Address		Identical To Billing Address	
C.-ID:			C.-ID:			
Name:			Name:			
Street:			Street:			
Town/PC:			Town/PC:			
E-Mail:			E-Mail:			
Phone:			Phone:			
Order Information			User Weight			
Order	Calculation	Built-4-Me®	Art. No.:			
Purchase Order No.:			User weight:		kg	
Reimbursement Code:			Base Price		£12,500	
Order date: Day	Month	Year				

Client Measurements

a) Top Of Head To Seat	mm
b) Top Of Shoulder To Seat	mm
c) Underarm To Seat	mm
d) Elbow To Seat	mm
e) Top Of Pelvis To Seat	mm
f) Shoulder Width	mm
g) Trunk Width	mm
i) Hip Width	mm
j) Actual Sitting Depth	mm
m) Foot Length	mm
n) Lower Leg Length	mm
o) Actual Seat Width	mm



Technical Data

User Weight Capacity	160 kg with seat lift and seat inclination	Ground Clearance	85 mm (depends on the configuration)
Base Width	610 - 660 mm	Drive Wheels & Castors	355 mm (14") Drive Wheels and 200 mm (8") Castors (Solid Tyres)
Chassis length	983 mm (min.)	Charger	220 V/10 A
Drive Control	R-Net	Battery Size	80 Ah
Drive Motors	10 km/h, 2 x 800 W, 4-Pole Motors	Turning radius	615 - 665 mm
Standard configuration	Including MPS back system, MPS seat system, maintenance-free 80 Ah batteries and 10 A charger		
Tyres	Maximum tyre pressure depending on user weight from 0.25 to 0.55 bar (see table in instruction manual)		
Tie down points	Integrated and attached to the base		

Drive Unit

Power Wheelchair		£
MAG010011	MAGIC 360	12,500

Colour Selection		£
MAG5522	Sunset Red	0
MAG5521	Horizon Blue	0
MAG5520	Midnight Black	0
MAG5528	Rich Garnet	160
MAG5525	Desert Orange	160
MAG5523	Sunrise Yellow	160
MAG5524	Lucent Lime	160
MAG5527	Vivid Pink	160
MAG5529	Dusk Purple	160
MAG5526	Stormy Silver	160
MAG5531	Flames Fury (1)	160
MAG5530	Camo Forest (1)	160
MAG5532	Carbon Fibre	160

Magic 360 Drive Wheel And Castor Kits		£
MAG5928	Crossover wheel and castor, Black	0
MAG5929	Crossover wheel and castor, Grey	0
MAG5925	Urban wheel and castor, Black pneu	105
MAG5924	Urban wheel and castor, Black solid	105
MAG5927	Urban wheel and castor, Grey pneu	105
MAG5926	Urban wheel and castor, Grey solid	105
MAG5930	Offroad wheel and castor	420
MAG5931	Offroad wheel and castor with Tyre Liner	600

Puncture Resistance Options		£
MAGNFLAT-NEW	Neverflat, puncture resistant (2)	160

LED Lights		£
MAG5227	Omit lights	0
MAG5142	Lighting mounted on seat	0
MAG5729	Lighting mounted on base	0

Vehicle Docking Pin		£
MAG6566	Dahl docking plate (max. 136 kg user weight) (3)	525

SEAT

Seat Tilt Modules		£
MAG5984	Fixed Frame, 3° tilt preset (no power functions)	0
MAG5985	Fixed Frame, 3° tilt preset (only lighting)	0
MAG5986	Fixed Frame, 3° tilt preset (with Power Options)	0
MAG5127	Tilt (0 - 50°)	1699
MAG5126	Lift and Tilt (300 mm lift, 0 - 45°)	3399

(1) Please Take Into Account That Each Cover Is Handmade And Can Therefore Differ In Appearance And Colouring.

(2) Not Available For MAG5931, MAG5924, MAG5926
(3) DAHL Adaptation kit #501798 Available From DAHL Engineering

Seat Height		£
MAG6552	Seat Height: Leave as is	0
MAG6553	Seat Height: +25mm front, +25mm rear (1)	0
MAG6554	Seat Height: +50mm front, +50mm rear (1)	0
MAG5129	Seat Height: -25mm front, +25mm rear (1)	265

Seating Systems		£
MAGREHABSEATPAN	Rehab seat pan, choose MPS or rehab seat cushion later	0

Rehab Seat Sizes

Seat width (2)					
MAGSW305MM	305 mm	MAGSW405MM	405 mm	MAGSW510MM	510 mm
MAGSW330MM	330 mm	MAGSW430MM	430 mm	MAGSW535MM	535 mm
MAGSW355MM	355 mm	MAGSW455MM	455 mm	MAGSW560MM	560 mm
MAGSW380MM	380 mm	MAGSW480MM	480 mm		

Seat depth (2)					
MAGSD405MM	405 mm	MAGSD480MM	480 mm	MAGSD560MM	560 mm
MAGSD430MM	430 mm	MAGSD510MM	510 mm		
MAGSD455MM	455 mm	MAGSD535MM	535 mm		

SEAT

Seat Cushion For Rehab Seat		£
MAGWOSEATCUSH	No seat cushion	0
MAGPADDEDSC	Flat padded seat cushion	100
MAGCMRC	MPS Removable Seat Cushion (3,4)	270

UPH For Rehab Seat Cushion		£
MAGSUFABRIC	Fabric	0
MAGSUVINYL	Vinyl	0

BACKREST

Recline Option		£
Recline Option for Rehab seat and Rehab canes		
MAG3920-S-3921-F	Fixed (90° - 105°), (90°, 97,5°, 105°)	0
MAG3924-S-3925-F	Manual Recline (90° - 170°)	395
MAG3928-S-3929-F	Power Recline (90° - 160°) (5)	1175
MAG3932-S-3933-F	Anti-shear power recline (95° -155°) (5)	1875
Recline option for Rehab seat and Rehab canes, Foldable to the front		
MAG3922-S-3923-F	Fixed (90° - 105°), (90°, 97,5°, 105°)	0
MAG3926-S-3927-F	Manual Recline (90° - 170°)	395
MAG3930-S-3931-F	Power Recline (90° - 160°) (5)	1175
MAG3934-S-3935-F	Anti-shear power recline (95° -155°) (5)	1875

Backrest for Rehab Seat Pan		£
MAGREHABCANES	Rehab canes, choose MPS or rehab insert back later	0
MAGREHABFOLD	Rehab canes with fold forward, choose MPS or rehab insert back later	375

Insert Back Clamps		£
MAG3492-PI	Quick Release	0

(1) Added Seat Height Versus 435 mm Standard Seat Height, Seat Height Kits Required For Lower Leg Lengths 390-430 mm
 (2) Depth minus Width Must Not Exceed 50 mm

(3) Minimum Width And Depth 405 mm
 (4) Seat cushion sizes only available according to Section A
 (5) Backrest Height Minus Backrest Width Must Exceed 50 mm

MPS Insert Back		£
MAGMPSINSERT	MPS insert back	375

MPS Insert Back UPH		£
MAGFABRICBR	Fabric	0
MAGVINYLBR	Vinyl	0

MPS Insert Back – Sizes		£
Backrest width (1)(2)		
MAGBW405MM	405 mm	0
MAGBW455MM	455 mm	0
MAGBW510MM	510 mm	0
Backrest height (1)		
MAGBH535MM	535 mm	0
MAGBH585MM	585 mm	0
MAGBH635MM	635 mm	0

Rehab Insert Back		£
MAGBACKRESTINSERT	Magic Rehab insert back (1)	535

Magic Rehab Insert Backrest Cushion		£
MAGBRMRJ	Junior (350 mm height)	0
MAGBRMRJXS	Junior (Xtra tall, 410 mm height)	0
MAGBRMRMS	Medium (Short, 430 mm height)	0
MAGBRMRM	Medium (480 mm height)	0
MAGBRMRMXT	Medium (Xtra tall, 530 mm height)	0
MAGBRMRLS	Large (Short, 430 mm height)	0
MAGBRMRL	Large (480 mm height)	0
MAGBRMRLXT	Large (Xtra tall, 530 mm height)	0

Rehab Back Insert UPH		£
MAGFABRICBR	Fabric	0
MAGVINYLBR	Vinyl	0

Rehab Back Insert Bolster Size		£
For Magic Rehab back cushion large/medium		
MAGNOBOLSTER	No bolster	0
MAGBOLSTERS	Shallow (110 mm depth)	80
MAGBOLSTERSTD	Standard (160 mm depth)	80
MAGBOLSTERD	Deep (220 mm depth)	105

Rehab Back Insert Lumbar		£
MAGLUMBARS	Shallow (12 mm insert)	0
MAGLUMBARSTD	Standard (25 mm insert)	0
MAGLUMBARD	Deep (35 mm insert)	0
MAGNOLUMBAR	No lumbar	0

(1) Backrest Height Minus Backrest Width Must Exceed 50 mm

(2) Back width has to match seat width selected

Push Handles £

MAG46354636	Rehab peg handles	135
-------------	-------------------	-----

Backrest Bag Hooks £

MAG5723	Rehab Bag hooks (J-shaped) on spreader bar	35
---------	--	----

Headrest - All Types £

MPS Headrest

MAG2770VI	MPS Headrest, MPS Mount, Fabric to match backrest (1)	270
-----------	---	-----

Rehab Headrest

MAGREHABSTD	Magic Rehab Standard	160
-------------	----------------------	-----

MAGREHABWIDE	Magic Rehab Wide	220
--------------	------------------	-----

Headrest Mount (for REHAB headrests only)

MAG4113	2 AXIS (single stem, 2 pivot points)	165
---------	--------------------------------------	-----

MAG4114	3 AXIS (single stem, 3 pivot points)	190
---------	--------------------------------------	-----

MAG4115	MULTI AXIS (single stem)	215
---------	--------------------------	-----

Rehab Headrest £

MAGFABRICH	Fabric	0
------------	--------	---

MAGVINYLHR	Vinyl	0
------------	-------	---

ARMREST- ALL TYPES

Armrest – Types £

MAG3572	Pair - standard armrest, single stem	0
---------	--------------------------------------	---

MAG3994	Pair - standard armrest, double stem	160
---------	--------------------------------------	-----

MAGFLEXIARM	Pair - flexi armrest	375
-------------	----------------------	-----

MAG6503-6502	Pair - flexi armrest with locked position	550
--------------	---	-----

MAG3331-6500	Pair - flexi armrest with locking post (2)	600
--------------	--	-----

MAG3727-6501	Pair - flexi armrest with locking post and drop down	700
--------------	--	-----

Armrest – Heights

MAGAH220MM	220 mm	MAGAH260MM	260 mm	MAGAH300MM	300 mm	MAGAH340MM	340 mm	MAGAH380MM	380 mm
------------	--------	------------	--------	------------	--------	------------	--------	------------	--------

MAGAH230MM	230 mm	MAGAH270MM	270 mm	MAGAH310MM	310 mm	MAGAH350MM	350 mm	MAGAH390MM	390 mm
------------	--------	------------	--------	------------	--------	------------	--------	------------	--------

MAGAH240MM	240 mm	MAGAH280MM	280 mm	MAGAH320MM	320 mm	MAGAH360MM	360 mm		
------------	--------	------------	--------	------------	--------	------------	--------	--	--

MAGAH250MM	250 mm	MAGAH290MM	290 mm	MAGAH330MM	330 mm	MAGAH370MM	370 mm		
------------	--------	------------	--------	------------	--------	------------	--------	--	--

Armpad – Style £

MAGAP75-WOKOR-2	75 mm armpads	0
-----------------	---------------	---

MAGAP50-2	50 mm armpads	55
-----------	---------------	----

MAG3971-3972	MPS armpads	80
--------------	-------------	----

MAG6711	Waterfall armpads	160
---------	-------------------	-----

MAG3775	Gutter armpads	160
---------	----------------	-----

MAG6750	Gutter armpads with elbow support pad	160
---------	---------------------------------------	-----

MAG6751	Gutter armpads with hand pad	160
---------	------------------------------	-----

MAG6752	Gutter armpads with hand pad and elbow support pad	160
---------	--	-----

MAG3712	MPS flip-out armpads	320
---------	----------------------	-----

(1) Mounting As For Car Seat Headrests, With Fabric Cover
 (2) Locking Post Attached To Seat Rail

Armpad – UPH £

MAGAPVINYL	Vinyl	0
MAGAPFABRIC	Fabric	0

Armrest Bag Hooks £

MAGHOOKA2RH	Right Side Armrest baghooks	35
MAGHOOKA2LH	Left Side Armrest baghooks	35

Positioning

Lap Belt £

MAG4973-MPS-4974-R	Standard Posture belt	500 mm	600 mm	700 mm	800 mm	0
MAG4973-4974-PBPAD	Standard Posture belt with 2 posture belt pads	500 mm	600 mm	700 mm	800 mm	100
MAG6540	4 point seat belt (PB4P)	500 mm	600 mm	700 mm	800 mm	185
MAG6540-2XPBPAD-4	4 point seat belt with 2 posture belt pads	500 mm	600 mm	700 mm	800 mm	185
MAG4730	Retractable lap belt (for rehab seat)					100
	MAGLBLH	Left sided buckle (1)				0
	MAGLBRH	Right sided buckle (1)				0
MAG4731	Retractable lap belt (for MPS seat)					100
	MAGLBLH	Left sided buckle (1)				0
	MAGLBRH	Right sided buckle (1)				0

Thoracic Support (pad and mount) £

MAG4943	Adjustable brackets (MPS insert back)	530
---------	---------------------------------------	-----

Hip Pads - In Vinyl £

MAGHPKIT	Hip pads on adjustable brackets (pair)	270
----------	--	-----

Harness £

MAGHARP	Harness pediatric	160
MAGHARQ	Harness standard	160

Legrests

Footplate Height

MAGLL300MM (2)	300 mm	MAGLL340MM	340 mm	MAGLL380MM (3)	380 mm	MAGLL420MM (3)	420 mm
MAGLL310MM	310 mm	MAGLL350MM	350 mm	MAGLL390MM(3)	390 mm	MAGLL430MM (2)(3)	430 mm
MAGLL320MM	320 mm	MAGLL360MM	360 mm	MAGLL400MM(3)	400 mm		
MAGLL330MM	330 mm	MAGLL370MM	370 mm	MAGLL410MM(3)	410 mm		

Legrest – Choice £

MAGCPLEGREST	Centre Post legrest	0
MAG3528	Swingaway legrest	0
MAG3527-ME	Manual Elevating Swinagaway legrest	425
MAG3526-ME	Power Elevating Swingaway legrest (4)	850
MAGCPOWER	Centre Mount Power elevating legrest (4)	1500

(1) Only For Standard Posture Belt
 (2) Only for CPL MAGCPLEGREST
 (3) Seat Height Kit Required
 (4) Not Available With Fixed Tilt MAG5984

Footplate		£
MAG4055FIX	Centre Post: 1 piece fixed footplate	0
MAG4055FIX-2	Centre Post: 2 piece fixed footplate	0
MAG4055	Centre Post: 1 piece flip up footplate	0
MAG4055SFP	Centre Post: 1 piece flip up, SHORT	0
MAG055SFP-2	Centre Post: 2 piece flip up, SHORT	0
MAG4755	Centre Post Powered Elevating: 1 piece flip up	0
MAG4755-2	Centre Post Powered Elevating: 2 piece flip up	0
MAG4055-2	Centre Post: 2 piece flip up footplate	160
MAGFLIPUP	Swing-Away: 2 piece flip up (1)	0

Footplate Options		£
MAG4312	Swingaway footplate lock (1)	55
MAG5323	Centre Post: Metal edges (2)	55
MAG4260	Abduction block (neoperene)	55

Calf Support		£
MAGCALFSUPPORT	Calf support standard	135

Knee Pads		£
MAG4247	Knee pads	125
MAGKPCMPE	Knee pads for CMPE	120
MAG4660	Knee pads for non-elevating swingaway legrests	120
MAG4104	Knee pads for elevating swingaway legrests	120

Control / Electronics

Controller – R-Net		£
MAGPG-JSMLEDL	Basic LED JSM (no colour screen)	0
MAGPG-JSM-PI	Colour Screen JSM	160
MAGPG-JSM2IRL	Colour screen JSM2 + IR only	315
MAGPG-JSMIRBT	Colour screen JSM2 + Bluetooth + IR	520

Control+5 Module		£
MAG158709	CTRL+5 Switch Module (button)	320
MAG158708	CTRL+5 Switch Module (Toggle style)	320

Control+5 Location		£
MAG5430	On the armrest, same side as joystick	0
MAG5431	On the armrest, opposite side to joystick	0
MAG5433	On the armrest, opposite side to joystick + accessories socket	0
MAG5432	Attendant (rear mounted)	0

Joystick Knob Option		£
MAGKNOBSTD	Standard joystick knob	0
MAGPG-KS80	Stick S80	80
MAGPG-KCHIN	Chin C38	80
MAGPG-KB32	Ball B32	80
MAGPG-KB38	Ball B38	80
MAGPG-KM48	Mushroom M48	80
MAGPG-KTBAR	T-Bar T80	80
MAGPG-KSB70	Soft Ball SB70	80

(1) Only For Swingaway Legrest
 (2) Only for CPL MAGCPLEGREST

Joystick Position		£
MAGJSRIGHT	Joystick Right	0
MAGJSLEFT	Joystick Left	0
MAGPGCYPGC2.03725	Interchangeable to Left and Right	215
MAG3329JSM-RH	Mount JSM as an attendant control - Right (Rehab back)	315
MAG3329JSM-LH	Mount JSM as an attendant control - Left (Rehab back)	315

Swingback Options		£
MAG110050	Joystick Mounting, Fixed	0
MAG3083-KIT-OS	Swingback joystick to the OUTSIDE (with magnets)	0
MAG3083-KIT-IS	Swingback joystick to the inside (with magnets)	0
MAG3082-KIT-OS	Swingback joystick to the OUTSIDE (with locking latch)	125
MAG3082-KIT-IS	Swingback joystick to the inside (with locking latch)	125

Joystick Mounting Position		£
MAG4980	Height Adjustable Joystick Stem - for standard joystick stem	105
MAG3713	Height Adjustable Joystick Stem - for swingback joystick stem	105
MAG3729STD	Quick release stem (for standard joystick stem only)	105
MAG3729SB	Quick release stem (with swingback)	185

Speciality Controls		£
MAG5436	Omni2	1170
MAGPG-OMNISCANNER	Omni2 Enhanced 6-way scanner (single switch feature)	1170
	Omni2 location	
	MAGOMNILH: Omni2 location, Left	MAGOMNIRH: Omni2 location, Right
MAG3335-MPS4550-LH	JSM, Omni2 + Chin control (Left)	3975
MAG3335-MPS4550-RH	JSM, Omni2 + Chin control (Right)	3975
MAG3391	JSM, Omni2 + Head control	6580

Attendant Control		£
MAG3330AM-KIT	Attendant control module for MPS back	290
MAG3329AM-KIT	Attendant control module for Rehab back	290
	Attendant Control	
	MAGAC LH: Attendant Control, Left	MAGAC RH: Attendant Control, Right

Chargers		£
MAG160103	Charger (10A) EU Version	0
MAG160104	Charger (10A) UK Version	0

Accessories		£
MAG3145	Luggage Rack	320
MAG4471	RAM® Cup holder	55
MAG4627	Magic Mobility Steel cup holder (1)	55
MAG4478	Magic Mobility Steel cup and phone holder (combined)	105
MAG4705	Accessory charger (1x12V + 2xUSB) - side rail mounted, same side as joystick	160
MAG6629	Accessory charger (2xUSB) - side rail mounted, opposite to joystick	160
MAG4801	Accessory charger (2xUSB) - armrest mounted, same side as joystick	160
MAG6594	Accessory charger (2xUSB) - armrest mounted, opposite to joystick	160
MAG5360	Loud horn	55
MAG4834	A4 Accessory bag (mounted on the backrest)	105
MAG4834RH	A4 Armrest bag (mounted on the right armrest)	105
MAG4834LH	A4 Armrest bag (mounted on the left armrest)	105
MAG4834-2	A4 Armrest bags (mounted on the left and right armrest)	215
MAG5320RHI	A5 Armrest bag (mounted internally, right armrest)	80
MAG5320LHI	A5 Armrest bag (mounted internally, left armrest)	80
MAG5320RHE	A5 Armrest bag (mounted externally, right armrest)	80
MAG5320LHE	A5 Armrest bag (mounted externally, left armrest)	80
MAG48345320I	A4 & A5 Armrest bags (A4 joystick side, A5 internal facing)	160
MAG48345320	A4 & A5 Armrest bags (A4 joystick side, A5 external facing)	160
MAGCOVER	Wheelchair cover	0

Clear Tables		£
MAG2675	Slide in table (armpad to armpad)	335
	MAGTDS - Double Stem Table	335
MAG2677	Swingaway small table, 320 x 240mm	335
MAG2676	Swingover large table (armpad to armpad), left table mount	335

Comments For Adaption



Magic 360 £

Base Price	<input type="text"/>
Total Of Additional Equipment	<input type="text"/>
Packaging And Transport	<input type="text"/>
Exclusive VAT	<input type="text"/>
VAT	<input type="text"/>
Total Price	<input type="text"/>

Date | **Signature**

Day Month Year



Sunrise Medical GmbH

Kahlbachring 2-4
 69254 Malsch/HD
 Tel: +49 (0) 7253-9800
 Fax: +49 (0) 7253-980111
 E-Mail: kundenservice@sunrisemedical.de
 www.SunriseMedical.de

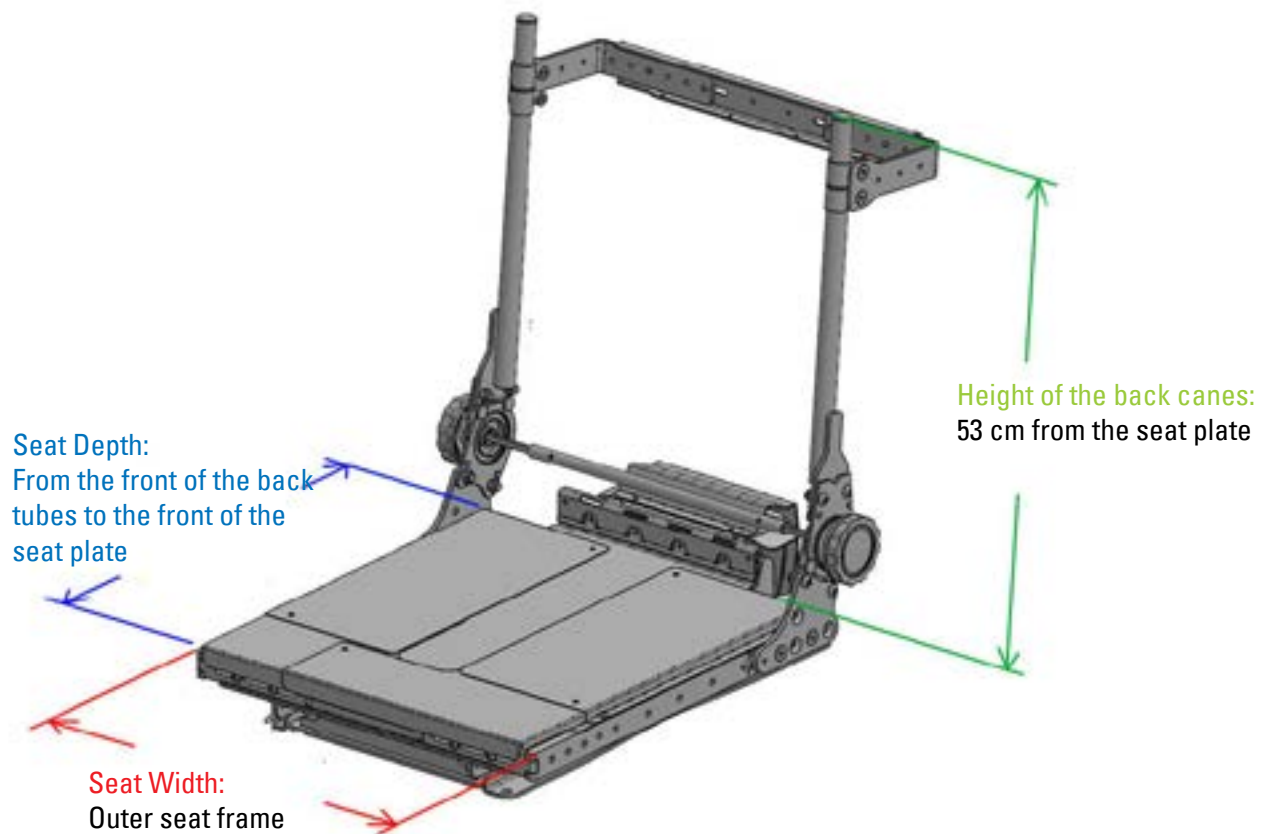
Dimension Matrix MPS-SEAT

◀ BACK



Dimension Matrix REHAB-SEAT

◀ BACK



MAGIC REHAB INSERT SIZE

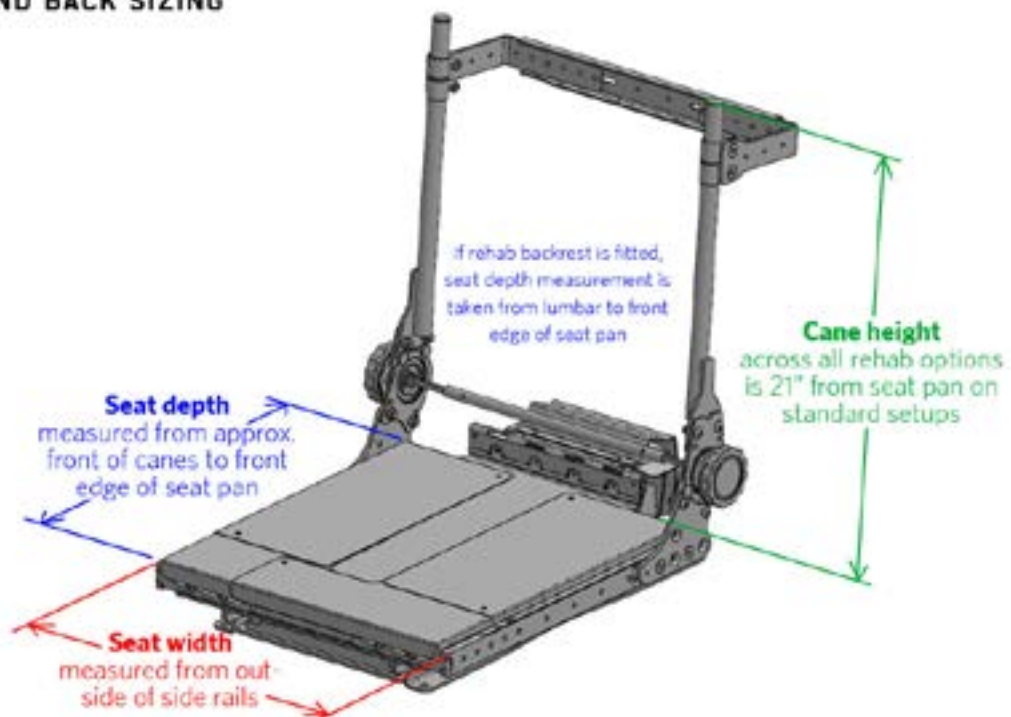


Chest Width 'C'	Height 'Y' (mm)
330-470mm	
Large (Xtra tall)	530
Large	480
Large (Short)	430
280-420mm	
Medium (Xtra tall)	530
Medium	480
Medium (Short)	430
260-400mm	
Junior (Xtra tall)	410
Junior	350

- Bolsters can be mounted upside down for increased armpit support
- Bolster heights can be offset up and down, up to 25mm between each side (asymmetric)

© Magic Mobility 2016

REHAB SEAT AND BACK SIZING



© Magic Mobility 2016

Price List - QPA01
REV1 (01/01/2024)

Colors

◀ BACK



Drive Wheels

◀ BACK



BLACK PNEUMATIC

OFF-ROAD

- Soft ride with good shock absorption
- Best traction on all surfaces
- 650mm base width



BLACK PNEUMATIC



GREY PNEUMATIC

CROSSOVER

- Soft ride with decent shock absorption
- Good traction
- Grey tyre non-marking
- 635mm base width



BLACK SOLID



GREY SOLID

URBAN

- Polyurethane solid inserts cannot be punctured
- Black tyre is low-marking compound
- Grey tyre non-marking
- 610mm base width



© Magic Mobility 2017

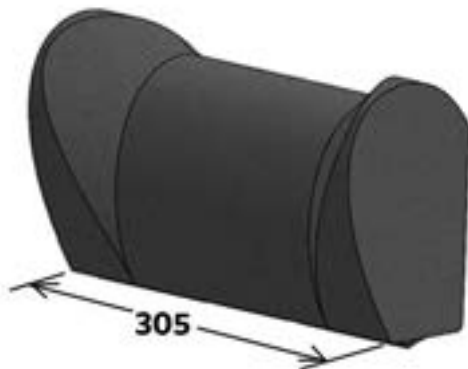
MAGIC 360 PUNCTURE RESISTANCE**NEVERFLAT**

- Offers good puncture protection for pneumatic tyres

liner fits in between tube and tyre, providing a robust protective barrier

**PUNCTURE RESISTANT KIT**
(WITH PNEUMATIC OFF-ROAD TYRES)

- Offers comprehensive protection against glass, rocks, thorns, etc.
- Produced with aramid fibre and natural rubber
- Filled with Neverflat to give extra protection
- Can be retrofitted to all Magic Mobility chairs with knobby tyres

**MPS HEADREST**

Armrests

← BACK

ARMREST TYPE (1)



STANDARD

Note: 25mm of extra adjustment is added to bottom



DOUBLE STEM
For bariatric users



FLEXI

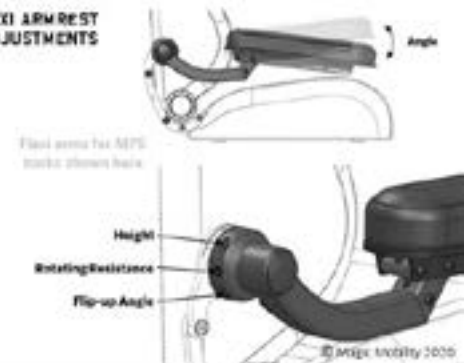
Flip-up, paralleling

Note: Depending on requested armrest height the Flexi arms will be assembled using slightly different parts. Therefore the range for each armrest will not be the full 220-440mm

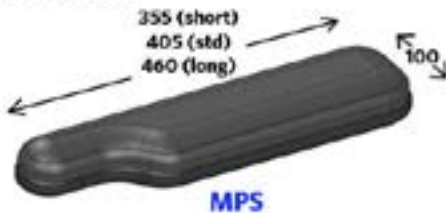
Requested Height	Actual Range (Flexi on MPS back)	Requested Height	Actual Range (Flexi on Rehab back)
220-330mm	220-370mm	220-330mm	180-360mm
340-370mm	250-400mm	340-440mm	275-440mm
380-440mm	330-440mm		



FLEXI ARMREST ADJUSTMENTS



ARMPADS

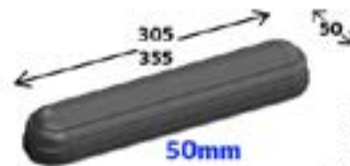


MPS

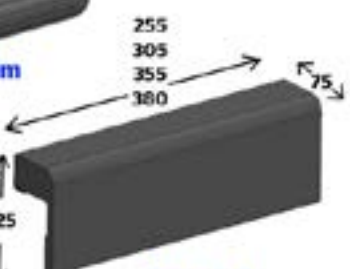


MPS Flip-out

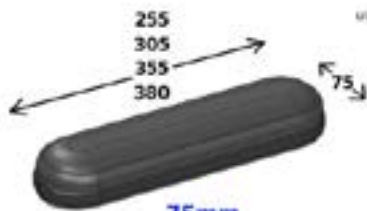
Allows the arm pads to be in line to the user while still allowing flip up (Flexi arms only)



50mm



Waterfall



75mm



Gutter

If MPS 50mm, 75mm, gutter or waterfalls armpads are selected, the length of armpad fitted will generally be based on the seat depth. See below table for details. If specific armpad length is required please state this on order form

SEAT DEPTH ▶	12"	13"	14"	15"	16"	17"	18"	19"	20"	21"	22"	23"	24"
50mm Arm Pad	255	295	305	305	305	305	305	305	380	380	380	380	380
75mm Arm Pad	255	295	305	305	305	305	305	305	380	380	380	380	380
Gutter Arm Pad	---(20mm not available)---												
Waterfall Arm Pad	---(20mm not available)---												
MPS Arm Pad	-	-	-	-	355	355	405	405	460	460	460	460	460

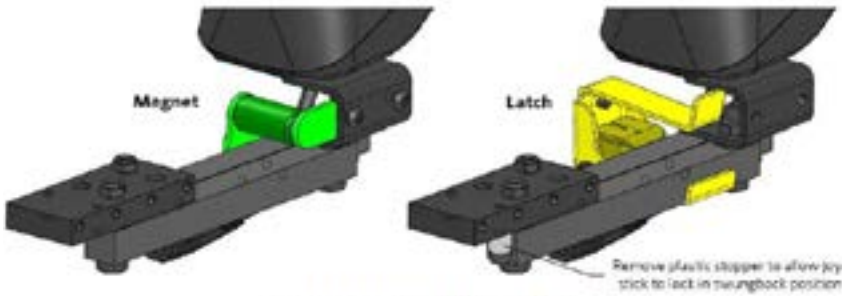
← Armpad length

← Armpad length



Joystick Mounting

← BACK



Swingback Joystick Release Options	
Magnet	Latch
<ul style="list-style-type: none"> Requires more force but no dexterity to release Can potentially release if wheelchair is being driven erratically or over rough terrain Releases more easily if impacted 	<ul style="list-style-type: none"> Requires minimal force but some dexterity to release Will stay locked at all times unless latch is pushed Less likely to release if impacted, potentially causing more damage Can be locked in fully swing-back position (optional) Custom levers can be screwed to latch to make releasing it easier for clients with less hand movement



JOYSTICK STEM OPTIONS



HEIGHT ADJUSTABLE JOYSTICK STEM



QUICK RELEASE MOUNT

Joystick Knobs

← BACK



FOOTPLATE SELECTION



1 PIECE FLIP UP



2 PIECE FLIP UP



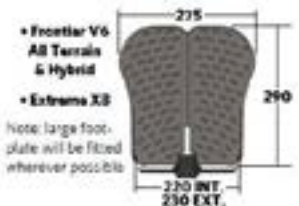
1 PIECE FIXED

Fastening bolts can be removed to allow footplate to flip up if required in the future



2 PIECE FIXED

Can adjust each footplate to a different angle

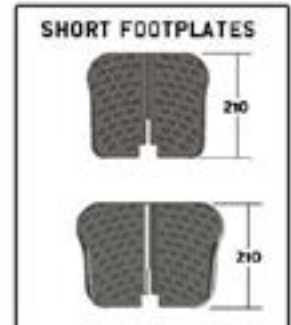


- Frontier V6 All Terrain & Hybrid
- Extreme X8

Note: large footplate will be fitted wherever possible



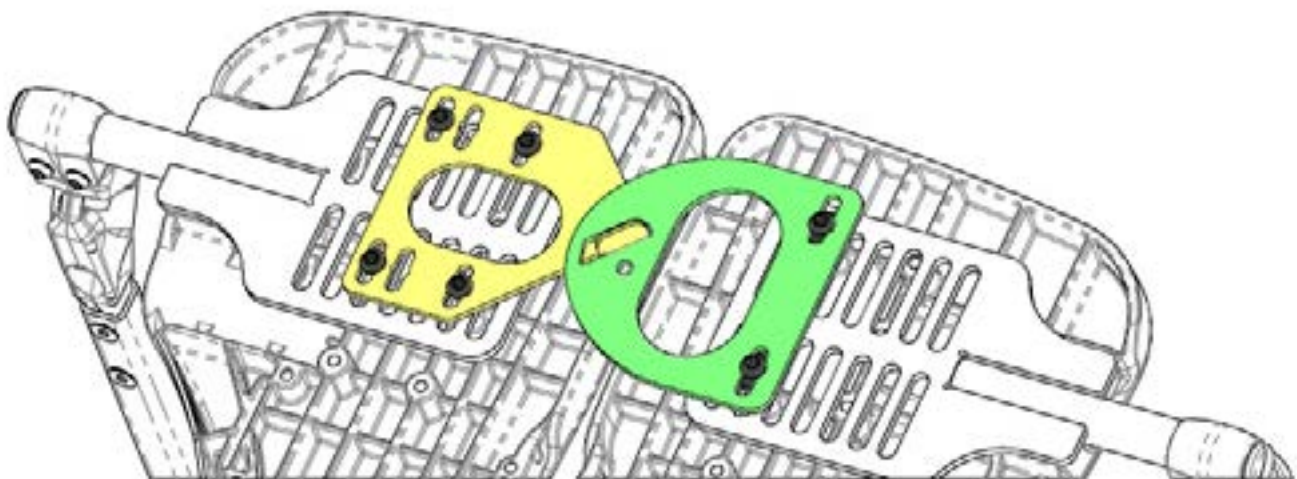
- Frontier V6 C40 & C73
- Frontier V4 FWD
- Frontier V4 RWD



SHORT FOOTPLATES

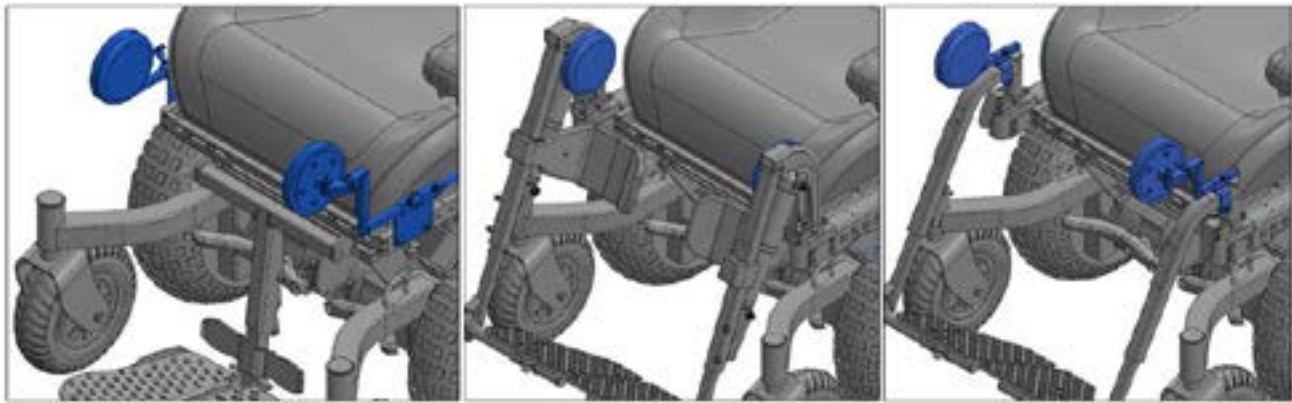
© Magic Mobility 2016

Legrest MK2 Footplate Lock



Knee Pads

← BACK



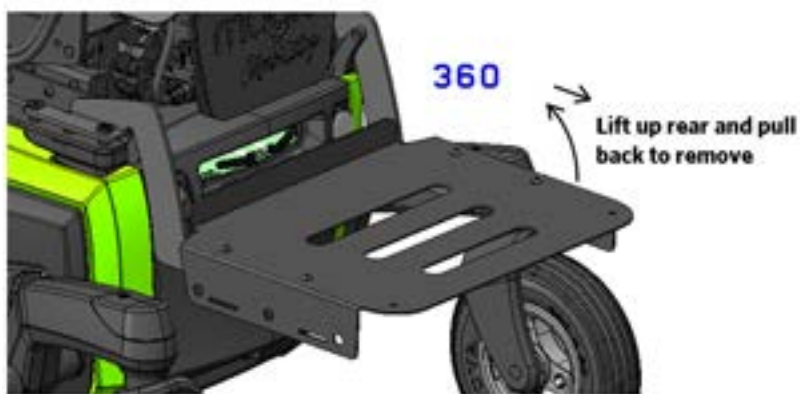
**Centre mount legrest
(fixed and power elevating)**
3 axes of adjustment

Power or gas swingaway legrest
Fixed kneepad attached to legrest pivot

Standard swingaway legrest
3 axes of adjustment

Rear Boot Plate

← BACK



Cup Holder

← BACK



If swingaway legrests are fitted the cup holder mount bracket may be offset higher to avoid top of legrest (depending on armrest height)



Note: Previous cup holder can be fitted if required. See option on order form.



© Magis Mobility 2019

Armrest Bag

◀ BACK



For armrest heights less than 320mm please select A5 bag (otherwise bag sits on wheel)



Mounts under armrest
(unless otherwise requested)

If swingback joystick is selected it is generally more suitable to fit accessory bag to opposite side

© Magic Mot

Table Options

◀ BACK

TABLE OPTIONS

Clear polycarbonate table shown below. Black HD plastic is also available (typically without folded edges)

Unless a drawing has been supplied with specifications for cut out sizes for stomach and joystick, the slide in and swingover tables will be provided as a kit

Table stem slides into opposite side to joystick



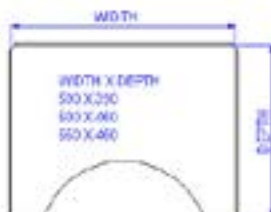
SLIDE IN LARGE TABLE

Table rests on armpad opposite to stem



DOUBLE STEM LARGE TABLE

For chairs with attendant control ONLY (no joystick)



SWINGAWAY SMALL TABLE
Width 320 x Depth 240



SWINGOVER LARGE TABLE
Table rests on both armpads

© Magic Mobility 2016