

User manual

Edition 1, August 2021

HID Joystick

Micro Joystick HID (P025-61) - Multi Joystick HID (P025-62)




mo-vis
moving forward together

Contents

About this manual	4
User manual	4
mo-vis bv	4
User manual (English)	5
Support, scrapping & recycling	5
Warranty	6
Warning labels	7
Quickstart guide	8
Intended use	10
Safety instructions	11
Features	13
Installation	30
Configuration	36
Supported platforms	55
First time use	68
Maintenance	69
Error codes	71
Dimensions	72
Technical data	78
Benutzerhandbuch (Deutsch)	80
Support, Entsorgung und Recycling	80

Gewährleistung	81
Warnhinweise	83
Schnellstartanleitung	84
Vorgesehene Verwendung	86
Sicherheitsanweisungen	87
Merkmale	89
Installation	109
Konfiguration	116
Unterstützte Plattformen	136
Erstmalige Verwendung	150
Wartung	152
Fehlercodes	153
Abmessungen	154
Technische Daten	160
Manuel de l'utilisateur (Français)	162
Assistance, mise au rebut et recyclage	162
Garantie	163
Étiquettes d'avertissement	164
Guide de démarrage rapide	165
Utilisation prévue	168
Instructions de sécurité	169
Fonctionnalités	171
Installation	189
Configuration	196
Plateformes prises en charge	216
Première utilisation	230
Entretien	231

Codes d'erreur	232
Dimensions	234
Données techniques	240
Gebruikershandleiding (Nederlands)	242
Ondersteuning, afdanken en recycling	242
Garantie	243
Waarschuwingslabels	245
Beknopte handleiding	245
Beoogd gebruik	248
Veiligheidsvoorschriften	249
Eigenschappen	251
Installatie	269
Configuratie	275
Ondersteunde platforms	295
Eerste gebruik	309
Onderhoud	310
Foutcodes	311
Afmetingen	312
Technische gegevens	318

About this manual

User manual

Thank you for choosing a mo-vis product!

This manual contains **useful and important information** about your device.

Please read it carefully before use and store safely for future reference.

Our team (or your authorized dealer) will be happy to answer your questions.

mo-vis bv

Biebuyckstraat 15D . 9850 Deinze . Belgium

<http://www.mo-vis.com> . contact@mo-vis.com . +32 9 335 28 60

User manual (English)

Support, scrapping & recycling

Technical support



TROUBLE: In case of technical problems:

- Contact your dealer
- If your dealer is not available or unknown, please contact mo-vis: contact@mo-vis.com or +32 9 335 28 60.

Always state the product code and device serial number when contacting us. This ensures you are provided with the correct information.

Spare parts and accessories

Contact mo-vis or your dealer for more information about spare parts and accessories.

Scrapping & recycling



CAUTION: For scrapping, adhere to your local waste legislation. Dispose of obsolete electronic parts responsibly in accordance with local recycling regulations.

Warranty

mo-vis bv warrants the product to be free from defects in material and workmanship for a period of 2 years under proper use, care and service. The dealer should never keep mo-vis products in stock for a period more than 6 months prior to delivery to the end-user. mo-vis' warranty will never exceed a period of 2 years and 6 months after shipment.

All warranties do not extend beyond the initial purchaser from an authorized mo-vis dealer or mo-vis itself.

Repair and replacement

For warranty service, contact your dealer (or us if bought directly). In the event of a defect in material or workmanship, the dealer or customer must obtain a Return Merchandise Authorization (RMA) number from us. The product must be shipped to a service centre designated by mo-vis. mo-vis will repair or, at mo-vis' option, replace any product covered by the warranty.

Amendments

No person is authorized to alter, extend or waive the warranties of mo-vis.

Disclaimer and limitations of remedies

The express warranties set forth in this agreement are in lieu of all other warranties of merchantability or fitness of purpose. In no event shall mo-vis be liable for any direct, indirect, incidental or consequential damages resulting from any defect in this product.

Warranty of parts subject to “normal wear and tear” (e.g. joystick handles, pads, ...) are not covered in the warranty except as it applies to defects in material or construction.

Voiding of warranties

The foregoing warranties are contingent upon the proper installation, use, maintenance and care of the product. The warranty will be void if the product has been installed or used improperly, or if it has been repaired or any part replaced by persons other than mo-vis or an authorized dealer. This product is considered as a non-serviceable part.

The addition of equipment or features that are not manufactured or recommended by mo-vis could affect the intended function of the mo-vis product and may invalidate the warranty.

Warning labels

Please read this manual, the safety instructions and warning texts carefully, in order to reduce the risks associated to the device. Our products are safe under normal and reasonably foreseeable operating conditions.



NOTE: This symbol indicates general notes and information.



CAUTION: This symbol indicates caution for a hazardous situation that, if not avoided, could result in minor or moderate injury.



WARNING: This symbol indicates a warning for a hazardous situation that, if not avoided, could result in death or serious injury.


Quickstart guide

You can find the full manual of the HID Joystick on our website <http://www.mo-vis.com>.

- 1 Connect the HID Joystick to a PC with Windows 10 to configure the device.
- 2 Download the latest version of the Configurator Software from our website <http://www.mo-vis.com>.
- 3 Open the Configurator in **Administrator Mode**.
- 4 To log in, fill in your email address and the password that you have obtained from mo-vis.
- 5 Push and hold the mode button on the HID Joystick Interface for 5 seconds to enter configuration mode (3 LED lights should flash).



- 6 A COM port is created in the Configurator. Click **Connect > Parameters**.

 **NOTE:** It can take a few minutes to load all the parameters.

- 7 Think about your set-up (modes, buttons etc...) and configure your device. For the keyboard strings, there is a Keyhelp Tool available on our website <http://www.mo-vis.com>.
- 8 Save the parameters to your device.

9 If you want to use the HID Joystick...

- on your PC: push the mode button on the HID Interface shortly to enter the mouse/keyboard/joystick mode.
- on another device, disconnect the HID Joystick from the PC and plug it into another supported device. Your device will start up in the mouse/keyboard/joystick mode.

Your HID Joystick is now ready to be used.

What to do next:

- Please find the full manual of the HID Joystick on our website.
- For more information about the Configurator Software, please find the *Configurator Software User manual* on our website too.

Intended use

The HID Joystick:

- is a low force joystick.
- enables people with (very) limited muscular force and/or movements to operate devices such as computers and game controllers.
- can be operated by hand, fingers, chin and its surrounding areas, ...
- is recommended for people with tetraplegia, (neuro)muscular diseases or other advanced diseases such as amyotrophic lateral sclerosis (ALS) or multiple sclerosis (MS).

The HID Joystick is a composite Human Interface Device, which means that this device contains three HID classes: the HID mouse, HID keyboard and HID joystick. The HID Joystick connects via USB to a PC, XBOX Game Console, Android or any other USB host device. The HID Joystick is also compatible with Bluetooth adapters.

The Configurator Software is a Windows desktop application, which can be used to program the HID Joystick to best suit the user's preferences and needs. It is available to download from <http://www.mo-vis.com>.



CAUTION: The joystick operates with high sensitivity. A good movement coordination and force control is required.

Safety instructions

Limited liability

mo-vis accepts **no liability** for personal injury or damage to property that may arise from the failure of the user or other persons to follow the recommendation, warnings and instructions in this manual.



NOTE: All mo-vis manuals can be found at <http://www.mo-vis.com> where they can be consulted in PDF format.



NOTE: In case any serious incident occurs in relation to this device, this should be reported immediately to mo-vis and the competent authority of the Member State in which the user is established.

Warnings and limitations



NOTE: The HID Joystick is only intended for entertainment goals and non-critical device commands.



CAUTION: Long periods of repetitive motion using the product may be associated with nerve, tendon or muscle injury in your hands, wrists, arms, shoulders, neck or back. See a qualified health professional for pain, numbness, weakness, swelling, burning, cramping or stiffness.



NOTE: Take regular breaks when you are working with computers. Be aware of physical signs of tiredness.



CAUTION: The HID Joystick, integrated cabling and interface included, is considered as a non-serviceable part. In case of doubt about alterations or adjustments, always contact mo-vis. Do not open or alter the device yourself.



NOTE: This product complies with the limit values for Electromagnetic Compatibility (EMC) with respect to power wheelchairs, as set out in

the harmonized standards for the EU in the Medical Device Regulation, No. 2017/745.

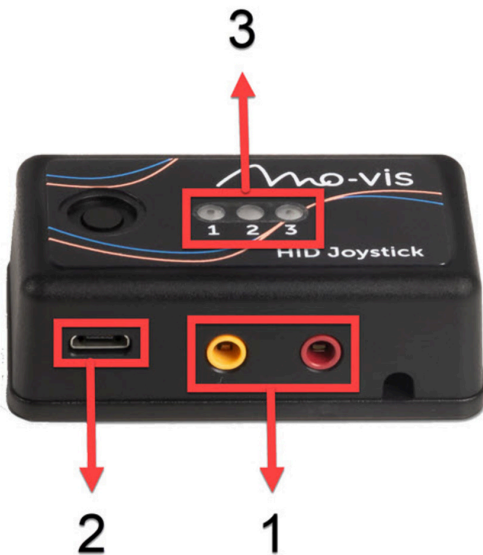


CAUTION: This package may include small parts, which can be a choking hazard to children under 3 years. Keep small parts away from children.

Features

The HID Joystick is available in 2 versions:

- **Micro Joystick HID**
 - is a very sensitive proportional joystick due to its low operating force (ca. 8 gr - 0.28 oz) and movement (3.3 mm - 0.13 in).
 - has an ergonomic shape for easy handling. For instance: you can let it rest in the palm of your hand and operate it with your thumb.
 - is supplied with two tips: small ball and a cup. Use the type which offers the best comfort and use efficiency.
- **Multi Joystick HID**
 - is a sensitive proportional joystick with reduced throw (8 mm - 0.31 in) and force (ca. 50 gr - 1.76 oz).
 - is built in a compact and discrete housing with 2 3.5 mm jacks for switch input
 - is supplied with a ball as tip.



Both joysticks have a separate interface with:

- 1 two stereo input jacks for switches. By using 2 splitter cables, you can link up to 4 mechanical switches.

- 2 a micro USB connection. Via this connection, you can link the HID Joystick with the Configurator Software to configure the joystick and buttons with mouse, keyboard and joystick functions. You also need it to link to your PC, tablet, XBOX etc...
- 3 LED indicators, which will show you the status of the device (incl. errors).

Parts and accessories

Micro Joystick HID



A Micro Joystick HID package consists of the following parts:

PICTURE	DESCRIPTION
	P002-50 - Micro Joystick sensor

PICTURE	DESCRIPTION
	M006-08 - Micro Joystick ball

PICTURE**DESCRIPTION**

PICTURE**DESCRIPTION**

M006-09 - Micro Joystick cup



PICTURE	DESCRIPTION
 The image shows four black plastic components of a micro joystick mounting set. At the top left is a circular ring with a threaded hole and a small metal pin. To its right is a small rectangular piece with a circular hole. Below these are two long, thin cylindrical rods of different lengths.	M006-20 - Micro Joystick mounting set
	M004-91 Q2M Rod 50 mm Threaded UNC 1/4x20



PICTURE	DESCRIPTION
	
	<p>P025-51 HID Joystick Interface</p>
	<p>PM CAB00031 USB connection lead A to B - micro 1m</p>



Multi Joystick HID



A Multi Joystick HID package consists of the following parts:

PICTURE	DESCRIPTION
	P002-60 - Multi Joystick Sensor

PICTURE	DESCRIPTION
	
	M002-05 - Multi Joystick ball
	M002-18 - Multi Joystick Mounting set

PICTURE	DESCRIPTION
	
	<p>M004-91 Q2M Rod 50 mm Threaded UNC 1/4x20</p>
	<p>P025-51 HID Joystick Interface</p>

PICTURE	DESCRIPTION
	
	PM CAB00031 USB connection lead A to B - micro 1m

Spare parts

Spare parts and accessories must be ordered by the dealer at mo-vis bv.
Always mention the product code of the desired item.

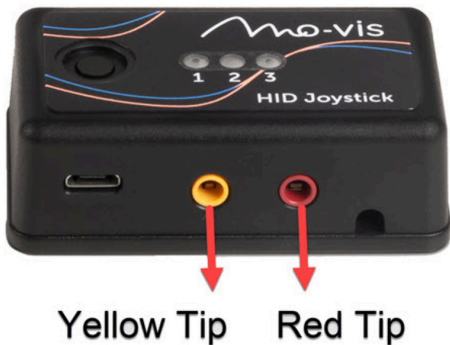
Operation

Joystick

The joystick is proportional, which means that a deflection of the joystick is directly related to a movement: the further you move the joystick away from the center position, the faster the action will be.

Buttons

If you use 1 or 2 buttons:



- You can use a button of the mo-vis Twister series, but any other button with 3.5 mm mono jack connection should be compatible too.
- You can also use a 3.5 mm stereo jack connection, but then you will have to exclude the yellow or red 'ring' in the Configurator Software.

If you want to use 3 or 4 buttons, you will need 1 or 2 splitter cables. You can then use a button of the mo-vis Twister series, or any other button with 3.5 mm mono jack connection.



Yellow Tip **Yellow Ring**



With a Multi Joystick HID it is possible to insert the jacks in the housing of the joystick (e.g. useful when this joystick is operated with the chin and buttons are placed nearby).



NOTE: The jacks in the housing are a duplication of the jacks in the interface, not additional jacks.


Mode button and LED lights

There is a mode button on the interface box to toggle between working mode and configuration mode.



- Press < 5 s: change configuration set
- Press > 5s, < 10s: change to configuration mode
- Press > 10s: software reset

DESCRIPTION	LED 1	LED 2	LED 3
Configuration set 1 is active	ON	OFF	OFF
Configuration set 2 is active	OFF	ON	OFF
Configuration set 3 is active	OFF	OFF	ON
Bootloader active	ON	ON	ON
Configuration mode	CONTINUOUS FLASHING		
Error	OFF	FLASHING	OFF

 **NOTE:** Flash count can be linked to the error codes

Installation

Preparations



CAUTION: Before you start with the installation:

- Please check the packaging and verify that all items are included.
- Make sure that you have all the necessary documentation and knowledge to install this device.

- Check the condition of the device.

Tools

Use an Allen wrench to install the device.



CAUTION: Use proper tools to install and adjust the device. The use of improper tools may cause damage to the device.


Installation plan


Set up an installation plan before beginning the installation. Based on the users' needs and capabilities, this plan should take into account:


- Where which part of the device should be placed.
- How the device will be operated.
- A robust and reliable positioning. Hard or sudden movements of the wheelchair may not disorganize the installation.




WARNING: Protect the device against bumps. Mind damaging the unit and wiring. Make sure that cabling is mounted in such a way that excessive wear and tear is avoided.

 **CAUTION:** Before inserting a connector, remove the protective cover. If the connections are not used, always put or keep the protective covers in.

 **CAUTION:** This is Class I Medical Device (*MDR 2017/745*). All accessories, including switches, must also comply with the *MDR 2017/745* regulations (e.g. the mo-vis *Twister*, tested according to *EN12184* standards).

 **CAUTION:** The HID Joystick is intended for indoor use. Protect the interface box against water.

 **CAUTION:** Incorrect use or installation may lead to risk of injury to the user or property.

Micro Joystick HID installation

- 1 Define the position of the joystick.

There is an arrow on the bottom of the Micro Joystick to indicate the default 'north' direction. This can be adjusted, however, with the Configurator Software.

- 2 Place the mounting ring around the joystick housing.
- 3 Secure the Q2M half clamp to the mounting ring.

Use an Allen wrench to mount the 20 mm bolt.



NOTE: It is not advised, but you may mount the joystick without using the Q2M half clamp.



CAUTION: Tighten the screws firmly, but not excessively. Excessive force may damage the unit.

- 4 Slide the unit over a Q2M rod or the ¼"Q2M Rod 50 mm Threaded UNC 1/4x20, or any other 6 mm rod, to position the Micro HID Joystick:
- 5 Place and secure the interface unit and all cabling on the desired location.
- 6 If required, place up to four switches (via splitter cables), secure their cabling and insert their connections.

Multi Joystick HID installation

- 1 Define the position of the joystick.

When you hold the Multi Joystick in front of you, with the jack connectors on the right-hand side as seen from your point of view, a forward movement of the joystick is the default 'north' direction. This can be adjusted, however, with the Configurator Software.

- 2 Determine which of the 3 slots you will use to guide the cable.
- 3 Secure the mounting plate with the 4 screws to the base of the joystick housing.



- 4 Place the Q2M half clamp at the bottom of the unit. Use an Allen wrench to mount the 14 mm bolt.





NOTE: It is not advised, but you may mount the joystick without using the Q2M half clamp.

- 5 Slide the unit over a Q2M rod or the ¼" Q2M Rod 50 mm Threaded UNC or any other 6 mm rod, to position the Multi Joystick HID.
- 6 Place and secure the interface unit and all cabling on the desired location.
- 7 If required, place up to four switches (via splitter cables), secure their cabling and insert their connections.

Configuration

Software download

- You can download the Configurator Software on our website <http://www.mo-vis.com>
- Software requirement: Windows version 10
- For all details on how to install and use the software, we refer you to the *Configurator Software manual*.
- To configure the parameters of the device, you need dealer level access. This level is password-protected. Contact mo-vis to obtain the password.

Keyhelp Tool

There is also a Keyhelp Tool available on our website. Download and install the tool to assist with generating keyboard strings.

Defining parameter settings

- 1 Connect the HID Joystick unit to a PC. Use a standard micro-USB - USB A cable.
- 2 Open the Configurator in the **Administrator mode**. This will shorten the time it takes to load all the parameters (30 sec - 2 min).
- 3 Press and hold the mode button on the interface for 5 seconds to enter the configuration mode of the HID Joystick. Wait until all parameters are loaded.



NOTE: The HID Joystick itself cannot be used to program the device.

- 4 Configure the parameters with the software or upload a pre-configured set of parameters into the device.
- 5 Save the configuration to the device.
- 6 Test the configuration and adjust if necessary.

Parameter settings



NOTE: For a better understanding, the modes are explained separately below. However, one configuration set can include actions from different modes.

Mouse mode

Parameters such as **Move dpi**, **Scroll dpi**, **Repeat time** and **Acceleration** are relevant for this mode. See [Global parameters on page 41](#) .

Keyboard mode

A large number of keyboard strings can be configured. Both a joystick and a button action can send out a keyboard string.

A keyboard string is valid when it contains 2 hexes, separated by a space. The first hex is the modifier, the second is the key code. When the modifier is 0x00, it will not modify the key.



NOTE: The keys are based on a QWERTY keyboard. If you use another keyboard layout, you will have to insert the equivalent key of that physical location.

Example:

- 0x00 (no modification) 0x05 (key b and B) = b
- 0x04 (left alt) 0x05 (key b and B) = B

List of modifiers:

HEX	DESCRIPTION
0x00	No modification
0x01	Left control
0x02	Left shift
0x03	Left control AND left shift
0x04	Left alt
0x05	Left control AND left ALT
0x08	Left WIN modifier
0x10	Right control
0x20	Right shift
0x40	Right alt
0x80	Right Win modifier

List of keys:

HEX	DESCRIPTION
0x04	Keyboard a and A
0x28	ENTER / RETURN
0x29	ESCAPE
0x2a	DELETE / Backspace
0x2b	TAB
0x2c	Spacebar
...	...

For easier use, you can download the Keyhelp Tool from our website or find a full list of keys and modifiers: <http://www.mo-vis.com>.

If you want to have a certain keyboard string repeated, choose **Keyboard String & Hold** as joystick nudge action or any button action.




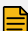
NOTE: This works like a standard keyboard. This means it is important to remember which key is pressed, as it will remain active until you switch off the **Keyboard String & Hold** (perform the same action).


Joystick mode

No additional information.

Global parameters

Global parameters


SETTING	DESCRIPTION	PARAMETERS	
Move speed	Sets the mouse movement speeds (dots per inch): the higher this value is, the faster the cursor will move.  NOTE: This is only relevant when a mouse movement action is configured.	Default	10
		Min.	1
		Max.	127
		Step	1
Scroll speed	When moving a scroll wheel on a standard mouse, you can feel a little click. The value of this parameter, represents one such click. The higher this value, the faster you will scroll horizontally or vertically.  NOTE: For a controlled way of scrolling (e.g. inventory of a game or scrolling slowly through a document), do not place it under a direct action, but rather under a joystick	Default	10
		Min.	1
		Max.	127
		Step	1

SETTING	DESCRIPTION	PARAMETERS	
	nudge or short/medium/long button press.		
Scroll repeat time	<p>This parameter is only relevant when a mouse <u>s</u>croll action is configured. Scrolling a mouse wheel on a standard mouse is a single triggered event. If the scroll action is mapped to the direct joystick action, then it becomes a repeated event. This value indicates the repeat time of the event (scroll).</p> <p> NOTE: This is only relevant when a mouse scroll action is configured.</p>	Default	50 mS
		Min.	50 mS
		Max.	10000 mS
		Step	50 mS
Acceleration	<p>This parameter is relevant when a mouse action is configured as direct AND nudge action of the joystick. The direct action will be blocked until the nudge timer has expired. After the expiration of the timer, the mouse will move suddenly. To give the user more control over this mouse movement, the speed of the</p>	Default	50%
		Min.	10%
		Max.	100%
		Step	10%

SETTING	DESCRIPTION	PARAMETERS	
	movement accelerates from zero to the max move speed . How fast this acceleration is, is determined by this parameter.		

Auditive feedback

SETTING	DESCRIPTION	PARAMETERS	
Medium timer	Beep when short timer of button action is expired	Default	Short beep
		Other	None
Long timer	Beep when medium timer of button action is expired	Default	Long beep
		Other	None
Config	Beep when changing to	Default	Number

SETTING	DESCRIPTION	PARAMETERS	
set	another config set		of beeps
		Other	None
Volume	Volume of the auditive feedback	Default	100%
		Min.	0%
		Max.	100%
		Step	1%
		 NOTE: This parameter is only relevant when the auditive feedback parameters have a beep configured.	

Buttons



NOTE: Although the maximum number of buttons is 4, it is possible to program up to 12 actions with the buttons. The buttons can either perform a **direct action** or you can distinguish between **short / medium / long press**.

SETTING	DESCRIPTION	PARAMETERS	
Short timer	Only relevant if you choose a short/medium/long press over direct action.	Default	1000 mS
		Min.	0 mS



SETTING	DESCRIPTION	PARAMETERS	
Long timer	If the button is pressed for a time smaller than the short timer, the short press action will be executed. If the button is pressed for a time longer than the short timer, but shorter than the long timer, the medium press action will be executed. If the button is pressed for a time longer than the long timer, the long press action will be executed.	Max.	10000 mS
		Step	100 mS
		Default	2000 mS
		Min.	0 mS
		Max.	10000 mS
		Step	100 mS
Debounce timer	The button has to be pressed for longer than the debounce timer, before it is seen as an input. It can be useful to increase this timer in case the user has a tremor, for instance.	Min.	20 mS
		Max.	100 mS
		Step	10 mS

Input joystick



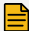
NOTE: The joystick can distinguish between a direct action and a nudge.

SETTING	DESCRIPTION	PARAMETERS	
Threshold	The threshold is used when the joystick is configured as a switch. When the joystick is deflected further than the threshold, the system will consider this to be a key press. When the joystick is below the threshold again, the system will consider this to be a key release.	Default	50
		Min.	30
		Max.	70
		Step	1
Nudge timer	The nudge timer defines the time that will be used to detect a joystick nudge. The nudge timer starts when the joystick is deflected further than the threshold and stops when it is	Default	1000
		Min.	0
		Max.	50000

SETTING	DESCRIPTION	PARAMETERS	
	<p>below the threshold again.</p> <p> NOTE: When the nudge timer value is zero, no nudge action is possible.</p> <p> NOTE: Output of the direct action will be blocked for as long as this timer is active.</p>	Step	100
Deadband	You can adjust the deadband, or the neutral zone around the center of the joystick where movement is not seen as an input.	Default	10%
		Min.	0
		Max.	15
		Step	1

Miscellaneous

SETTING	DESCRIPTION	PARAMETERS	
Input filter	If you set this to Block diagonal axes , only movements north, south, east and west are recognised. This	Default	None
		Other	Block diagonal

SETTING	DESCRIPTION	PARAMETERS	
	can be useful for people who cannot operate the joystick very precisely.		axes
8 keyboard axes	By default, you can't combine keyboard axes. E.g. if you want to use the arrow keys UP and then LEFT, you have to go back to the center every time. However, you can activate 8 keyboard axes. This way, you can activate the UP and LEFT key at the same time.	Default	Off
		Other	On
<div style="border: 1px solid #ccc; border-radius: 10px; padding: 10px; background-color: #f0f0f0;">  NOTE: Make sure that the nudge actions in the active configuration set are all set to None and that all direct actions are set to Keyboard string. </div>			

Configuration sets

It is possible to configure 3 different configuration sets in the HID Joystick. The user can switch between the different configuration sets easily, by mapping this function to an action of the joystick or a button. The configuration sets are indicated by the LED lights on the interface (1 green LED = config set 1, ...) and optional auditive feedback.




NOTE: If the user is executing an action (e.g. left mouse click) and cycles to another configuration set at that moment, the action will be terminated.

Joystick parameters

To each direction of the joystick, different actions can be allocated. Either under a nudge or a full movement.



- North = forward
- East = right
- South = backward
- West = left

See [Micro Joystick HID installation on page 32](#) and [Multi Joystick HID installation on page 33](#) for the default north position.

SETTING	DESCRIPTION	PARAMETERS	
Action - direct	Action is activated from the moment the key is pressed until the key is released.  NOTE: Output of direct action is blocked for as long as the nudge timer is active.	Options	<ul style="list-style-type: none">• None• Left mouse click• Right mouse click

SETTING	DESCRIPTION	PARAMETERS	
			<ul style="list-style-type: none"> • Mouse scroll N - E - S - W • Mouse move N - E - S - W • Joystick button 1 - 8 • Keyboard
Action - nudge	All the different actions that can be attributed to a nudge of the joystick.	Options	<ul style="list-style-type: none"> • None • Left mouse click • Right mouse click • Middle mouse click • Left mouse click &

SETTING	DESCRIPTION	PARAMETERS
		<ul style="list-style-type: none"> hold • Double left mouse click • Mouse scroll N - E - S - W • Config set 1 - 2 - 3 • Joystick button 1 - 8 • Keyboard string • Keyboard string &
Keyboard string - direct	Only active when the Keyboard string value is selected for Action - direct .	See Keyboard mode on page 38 for more information.

SETTING	DESCRIPTION	PARAMETERS
	 NOTE: This action will send the characters for as long as the action is active.	
Keyboard string - nudge	Only active when the Keyboard string value is selected for Action - nudge .  NOTE: This action will send out a single character.	See Keyboard mode on page 38 for more information.

Button parameters

The buttons can either perform a **direct action** or you can distinguish between a **short/medium/long press**.

See [Buttons on page 26](#) for more information.

SETTING	DESCRIPTION	PARAMETERS	
Action - direct	Action is activated from the moment the button is pressed.	Options	<ul style="list-style-type: none"> • None • Left mouse click

SETTING	DESCRIPTION	PARAMETERS
		<ul style="list-style-type: none"> • Right mouse click • Middle mouse click • Left mouse click & hold • Double left mouse click • Mouse scroll N - E - S - W • Config set 1 - 2 - 3 • Joystick button 1 - 8 • Keyboard string • Keyboard

SETTING	DESCRIPTION	PARAMETERS	
Short/ medium/ long press	Action is activated from the moment the button is released.	Options	string & <ul style="list-style-type: none"> • None • Left mouse click • Right mouse click • Middle mouse click • Left mouse click & hold • Double left mouse click • Mouse scroll N - E - S - W • Config set 1 - 2 - 3

SETTING	DESCRIPTION	PARAMETERS
		<ul style="list-style-type: none"> • Joystick button 1 - 8 • Keyboard string • Keyboard string &
Keyboard string - direct + short/ medium/ long press	Enter the modifier and key code	See Keyboard mode on page 38 for more information.

Supported platforms

The HID Joystick is supported by the following platforms:

- [Windows on page 56](#)
- [OSX on page 57](#)
- [Android on page 58](#)
- [iOS on page 61](#)
- [XBOX/XAC on page 64](#)

Windows

The HID Joystick was developed for Windows 10. The USB cable of the HID Joystick can be connected to a free port of the PC.

Keyboard

See [Keyboard mode on page 38](#) .

Mouse

Some examples of mouse actions supported by Windows:

KEY	DESCRIPTION
Move north/east/south/west	Cursor moves up/down/left/right
Scroll north/east/south/west	Scroll through page or document up/down/left/right
Left mouse click	Select
Middle mouse click	Double click
Right mouse click	Right click menu
Left mouse click & hold	Select and hold
Double left mouse click	Open file



NOTE: The middle mouse button is not a supported action by default. It is supported, however, by the firefox browser: clicking on a tab in firefox with the middle mouse button closes that tab.

Joystick

The actions of the joystick can be tested in the Windows Game Controller Tester.

In Windows: **Set up USB Game Controllers > Properties > Test.**

This menu will show an axis and 8 buttons. If a button is pressed, it will highlight. If an axis is changed, the crosshairs will change.

OSX

The USB cable of the HID Joystick can be connected to a free port of the PC.

Keyboard

See [Keyboard mode on page 38](#) .

Mouse

The following mouse actions can be configured:

KEY	DESCRIPTION
Move up/down/left/right	Cursor moves up/down/left/right
Scroll up / scroll down	Scroll up / down (e.g. through website with a lot of content)
Scroll left / scroll right	Scroll horizontally (e.g. in a book)
Button click left	Select
Button click middle	Double click
Button click right	Right click menu

Joystick

Joystick actions are supported in OS.

Android

The USB cable of the HID Joystick can be connected to an Android phone or tablet via a USB OTG cable. After a couple of seconds, the phone or tablet should recognize the HID Joystick.

Keyboard

You can use the keyboard mode to navigate your Android device with keyboard shortcuts (see table below). This is a limitative list. However, there

is an Android app External Keyboard Helper, which allows you to create custom keyboard shortcuts.

DESCRIPTION	KEYBOARD STRING
Navigate Up	KEY_UP 0x00 0x52
Navigate Down	KEY_DOWN 0x00 0x51
Navigate Left	KEY_LEFT 0x00 0x50
Navigate Right	KEY_RIGHT 0x00 0x4f
Open Selection	KEY_ENTER 0x00 0x28
Go back	KEY_ESC 0x00 0x29
Remove a character	KEY_BACKSPACE 0x00 0x2a
Switch tasks	MOD_LALT + KEY_TAB 0x04 0x2b
Open browser	MOD_LMETA + KEY_B 0x08 0x05
Cut	MOD_LCTRL + KEY_X 0x01 0x1b
Copy	MOD_LCTRL + KEY_C 0x01 0x06
Paste	MOD_LCTRL + KEY_V 0x01 0x19
Next window	KEY_TAB 0x00 0x2b
Select text up	MOD_LSHIFT + KEY_UP 0x02 0x52

DESCRIPTION	KEYBOARD STRING
Select text down	MOD_LSHIFT + KEY_DOWN 0x02 0x51
Select text right	MOD_LSHIFT + KEY_RIGHT 0x02 0x50
Select text left	MOD_LSHIFT + KEY_LEFT 0x02 0x4f
Delete	KEY_DELETE 0x00 0x4c

Mouse

The following mouse actions can be configured:

KEY	DESCRIPTION
Move up/down/left/right	Cursor moves up/down/left/right
Scroll up / scroll down	Scroll up / down
Button click left	Select
Button click middle	Return to home menu
Button click right	Return to previous menu
Button double left click	Open app

Joystick

We support 8 buttons and they can be mapped per game.



NOTE: To test the function, you can install the free Android app Game controller keymapper from AnkitChowdhury. This allows you to visualize the axis and keycodes.

iOS

The USB cable of the HID Joystick can be connected to an iPad or iPhone via an Apple lightning to USB adapter cable. After a couple of seconds, the phone or tablet should recognize the HID Joystick.

Keyboard

You can use the keyboard to navigate in iOS with keyboard shortcuts:

DESCRIPTION	KEYBOARD STRING
Navigate Up	KEY_UP 0x00 0x52
Navigate Down	KEY_DOWN 0x00 0x51
Navigate Left	KEY_LEFT 0x00 0x50
Navigate Right	KEY_RIGHT 0x00 0x4f
Open selection	KEY_SPACE 0x00 0x2c

DESCRIPTION	KEYBOARD STRING
Go to home	MOD_LMETA + KEY_H 0x08 0x0b
Remove a character	KEY_BACKSPACE 0x00 0x2a
Switch tasks	MOD_LALT + KEY_TAB 0x04 0x2b
Cut	MOD_LCTRL + KEY_X 0x01 0x1b
Copy	MOD_LCTRL + KEY_C 0x01 0x06
Paste	MOD_LCTRL + KEY_V 0x01 0x19
Next window	KEY_TAB 0x00 0x2b
Select text up	MOD_LSHIFT + KEY_UP 0x02 0x52
Select text down	MOD_LSHIFT + KEY_DOWN 0x02 0x51
Select text right	MOD_LSHIFT + KEY_RIGHT 0x02 0x50
Select text left	MOD_LSHIFT + KEY_LEFT 0x02 0x4f
Delete	KEY_DELETE 0x00 0x4c



NOTE: To create custom shortcuts in iOS: **Settings > Accessibility > Keyboards > Full Keyboard Access > On**. Go to **Commands**: tap a command, then press a custom key to assign to it and click **Done**.



NOTE: To change the keyboard layout in iOS: **Settings > General > Keyboard > Keyboards**: keep finger on the keyboard and select **QWERTY/AZERTY/QWERTZ**

Mouse

Setting up the mouse buttons:

Settings > Accessibility > Touch > Assistive touch > Enable assistive touch.

Connect the HID Joystick to the iDevice with the lightning cable.

Tap **Devices > Hid Joyst. Int > Customize additional buttons**:

- Set Button 1 as **Single Tap**.
- Set Button 2 as **Secondary Click**.
- Set Button 3 as **Home**.

The following mouse actions can be configured:

KEY	DESCRIPTION
Move up/down/left/right	Cursor moves up/down/left/right
Scroll up / scroll down	Scroll up / down
Button click left	Select
Button click middle	Return to home menu
Button click right	Return to home menu

Joystick

Not supported in iOS.

XBOX/XAC



NOTE: XBOX supports the use of mouse and keyboard in some games and apps, but it doesn't work for all content. The game or app published must enable this feature for their content. Alternatively, you can use the XBOX adaptive controller to play non-supported games.

Check your XBOX manual for more information on how to connect a USB device to the XBOX.

Keyboard

You can use the keyboard to navigate the XBOX menu with keyboard shortcuts:

KEYBOARD STRING	DESCRIPTION
KEY_UP – 0x00 0x52	Navigate up
KEY_DOWN - 0x00 0x51	Navigate down
KEY_LEFT - 0x00 0x50	Navigate left
KEY_RIGHT - 0x00 0x4f	Navigate right
MOD_LMETA + KEY_LEFTMETA – 0x08 0xe3	Open the guide
KEY_ENTER 0x00 0x28	Select
KEY_SPACE 0x00 0x2x	Select
KEY_ESC 0x00 0x29	Back
MOD_LMETA + KEY_BACKSPACE 0x08 0x2a	Back
KEY_TAB 0x00 0x2b	Toggle to next tile
MOD_LSHIFT + KEY_TAB 0x02 0x2b	Toggle to previous tile

KEYBOARD STRING	DESCRIPTION
MOD_LMETA + KEY_M 0x08 0x10	Open menu
MOD_LMETA + KEY_V 0x08 0x19	Change view
KEY_Y 0x00 0x1c	Open search

Mouse



NOTE: Wired USB mice will work only in select games and apps that have enabled mouse navigation. Check your game to see if it offers mouse support.

To configure your mouse:

- 1 Press the XBOX button on your controller to open the guide.
- 2 Select **Profiles & System > Settings > Devices & Streaming**.
- 3 Select **Mouse**. You will see options for pointer speed and for swapping primary and secondary mouse buttons.



NOTE: You can't use a mouse on **Home** or within the XBOX user interface while navigating the dashboard.



NOTE: You will need to use your controller to configure your mouse. **Settings** does not support mouse interaction.



NOTE: A mouse will not work in Microsoft Edge, which already has an on-screen cursor.

XBOX Adaptive Controller (XAC)

The HID Joystick is compatible with the XAC. The XAC is designed primarily to meet the needs of gamers with limited mobility and is a unified hub for devices to help make gaming more accessible.

Connect the USB cable of the HID Joystick to the XAC and use the HID Joystick in joystick mode.

The XAC has two USB ports: the left USB port replaces the left thumbstick and the right USB port replaces the right thumbstick.



NOTE: Other HID devices such as Mouse and Keyboard are not supported by the XAC, so you have to make sure that your HID Joystick is set to the right configuration mode.

The XAC will map the joystick buttons automatically.

JOYSTICK BUTTON	LEFT USB PORT	RIGHT USB PORT
Button 1	X1	View
Button 2	X2	Menu
Button 3	ThumBtnL	ThumBtnR

JOYSTICK BUTTON	LEFT USB PORT	RIGHT USB PORT
Button 4	BumperL	BumperR
Button 5	A	X
Button 6	B	Y
Button 7	View	X1
Button 8	Menu	X2



NOTE: If the buttons are reconfigured using the XBOX accessories app, the new configurations will be applied to the USB HID Joystick buttons too.

The actions can be tested on the XBOX one.

Download and install the free Game controller tester app from the Microsoft Store. Open the app and select the XBOX adaptive controller as the controller under test. Press the buttons and move the joystick. The respective buttons will light up and the axis will move in the requested direction.

First time use

During first time use, it is advised that the user and/or his attendant thoroughly read this manual.

It is important that the user is fully aware of the installation, how to use it and what can be adjusted to optimize his/her experience.

- 1 Carefully read the manual and make sure that you understand the function of every joystick action and button.
- 2 Check whether the joystick, the housing, cabling and all connectors are intact.
- 3 Test all positions of the HID joystick.
 - Are the joystick and switches within easy reach?
 - Can the user safely operate the device with the least effort?
 - Is the placement of the joystick and the switches in all available positions optimal for the user?
 - Does the joystick return to its default position when moving and releasing the joystick forward, backward, left and right?
- 4 If needed, adjust the HID Joystick.
- 5 Make sure that you understand the possible problems and how to address them.

Maintenance

Cleaning



WARNING: As dust and dirt could lead to reduced functionality, all parts of the device should be cleaned on a regular basis (monthly) or whenever needed.

- Gently remove dust and dirt with a damp cloth.
- Use only non-aggressive disinfectant cleaning agents.



CAUTION: Do not immerse in water or use excessive amounts of liquid.



CAUTION: Do not apply additional lubricants to the moving parts.

The handles of the joystick can be removed to clean them.

- You may shortly immerse the handle in warm water with a gentle cleaning agent. Let the handle dry before putting it back on.
- If the handle is damaged, worn out or remains dirty, please contact your authorized dealer or mo-vis to replace it.

Monthly inspection

Monthly, or whenever needed, check whether:

- All bolts and screws are still firmly tightened.
- There is no damage to any wiring.
- There is no excessive wear to any of the parts.

Maintenance-free

The HID Joystick is maintenance-free. Under regular circumstances of use, the HID Joystick, interface unit and different parts do not require additional maintenance.

Error codes

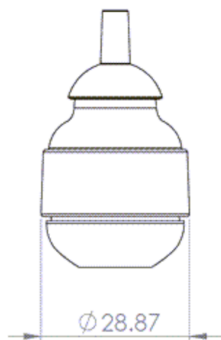
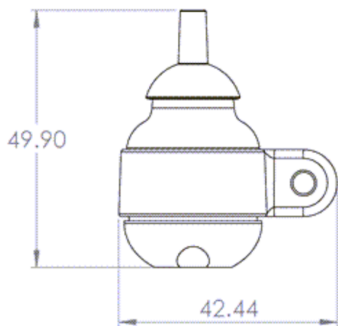


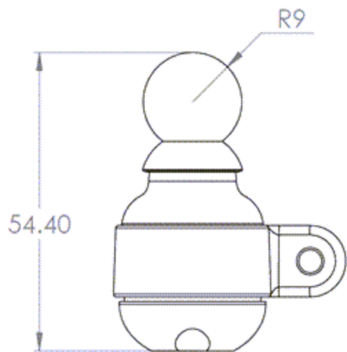
TROUBLE: When a fault occurs, the LEDs of the HID Joystick will start to flash. A long delay is followed by a number of flashes with a short delay. Contact mo-vis or your dealer in case of error.

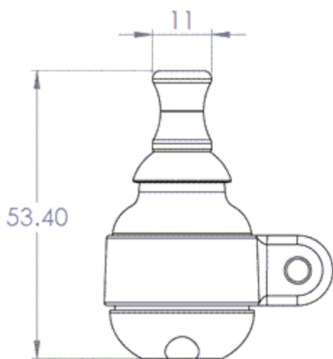
LED FLASH COUNT	REASON	REQUIRED ACTION
2	Msp sensor is not connected.	Contact mo-vis.
3	Connection problem with the external EEPROM.	

Dimensions

Micro Joystick HID



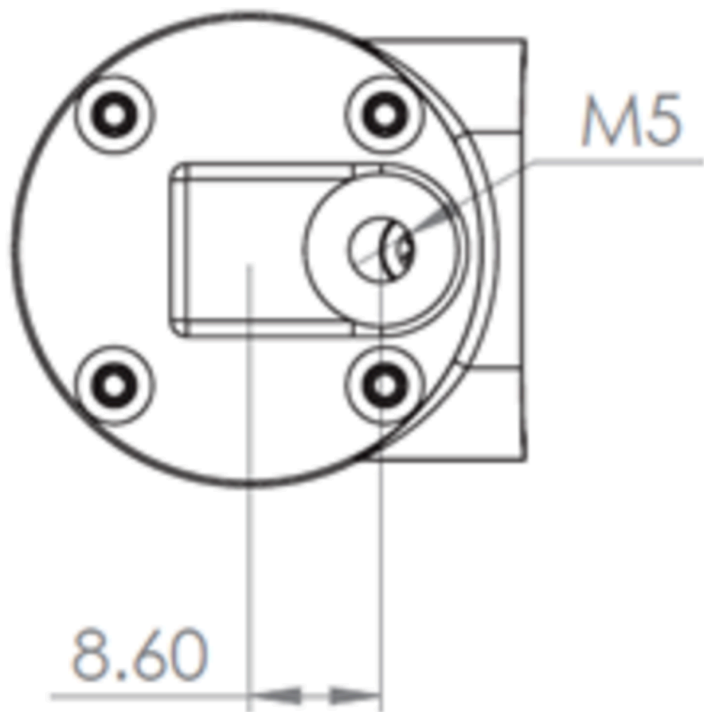




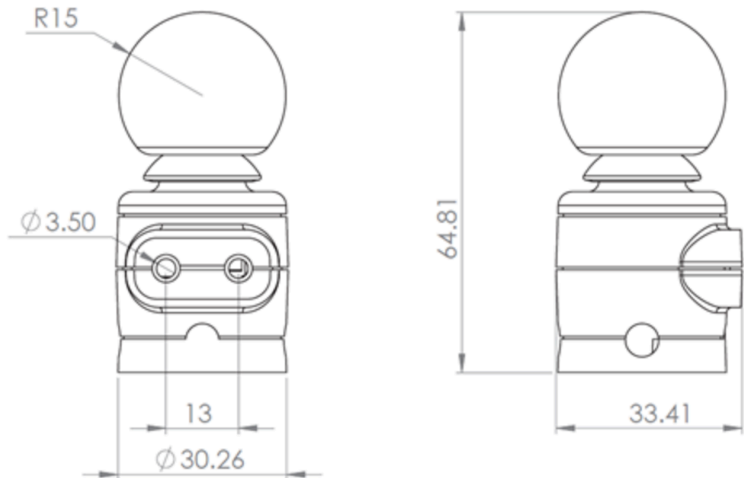
PART	DIMENSIONS (METRIC)	DIMENSIONS (IMPERIAL)
Joystick	50 mm x 29 mm x 29 mm (HxWxD)	1.97 in x 1.41 in x 1.41 in (HxWxD)
Ball	16 mm x 18 mm x 18 mm (HxWxD)	0.63 in x 0.71 in x 0.71 in (HxWxD)
Cup	15 mm x 11 mm x 11 mm (HxWxD)	0.59 in x 0.43 in x 0.43 in (HxWxD)

Multi Joystick HID

Bottom view:



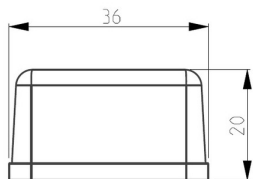
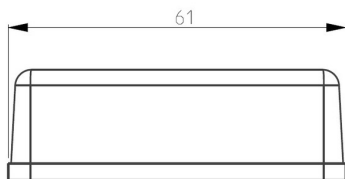
Side view:



PART	DIMENSIONS (METRIC)	DIMENSIONS (IMPERIAL)
Joystick	65 mm x 31 mm x 31 mm (HxWxD)	2.55 in x 1.22 in x 1.22 in
Ball	26 mm x 30 mm x 30	1.02 in x 1.18 in x 1.18

PART	DIMENSIONS (METRIC)	DIMENSIONS (IMPERIAL)
	mm	in

Interface box



20 mm x 36 mm x 61 mm (HxWxD)

Technical data

Product description & code

- P025-61 Micro Joystick HID
- P025-62 Multi Joystick HID

Interface connectors

- 3.5 mm stereo jack
- Micro USB (use a micro USB cable of < 3 m)

Required force

- Micro Joystick HID: ca. 8 gr/0.28 oz
- Multi Joystick HID: ca. 50 gr/1.76 oz

Benutzerhandbuch (Deutsch)

Support, Entsorgung und Recycling

Technischer Support



PROBLEM: Im Fall technischer Probleme:

- Wenden Sie sich an den Händler
- Ist der Händler nicht verfügbar oder unbekannt, wenden Sie sich bitte per E-Mail (contact@mo-vis.com) oder Telefon (+32 9 335 28 60) an mo-vis.

Geben Sie immer den Produktcode und die Seriennummer des Geräts an, wenn Sie uns kontaktieren. Damit ist sichergestellt, dass Sie die richtigen Informationen erhalten.

Ersatzteile und Zubehör

Weitere Informationen zu Ersatzteilen und Zubehör erhalten Sie von mo-vis oder Ihrem Händler.

Entsorgung und Recycling



ACHTUNG: Befolgen Sie bei der Entsorgung Ihre örtlichen Abfallgesetze. Entsorgen Sie veraltete elektronische Teile

verantwortungsbewusst in Übereinstimmung mit den örtlichen Recyclingbestimmungen.

Gewährleistung

mo-vis bv sichert zu, dass das Produkt für einen Zeitraum von zwei Jahren bei ordnungsgemäßer Verwendung, Pflege und Wartung frei von Material- oder Verarbeitungsmängeln ist. Händler sollten mo-vis-Produkte niemals länger als sechs Monate vor der Auslieferung an den Endbenutzer bevorraten. Die Garantie von mo-vis beträgt nie länger als zwei Jahre und sechs Monate ab dem Datum der Auslieferung.

Alle Garantien erstrecken sich nur auf den ursprünglichen Käufer, der das Gerät von einem mo-vis-Händler oder von mo-vis selbst erworben hat.

Reparatur und Austausch

Wenden Sie sich an Ihren Händler (oder an uns, wenn Sie das Produkt direkt bei uns gekauft haben), um Garantieleistungen in Anspruch zu nehmen. Bei einem Material- oder Verarbeitungsmangel muss der Händler bzw. der Kunde von mo-vis eine Rücksendegenehmigungsnummer (RMA-Nummer) einholen. Das Produkt muss an ein von mo-vis angegebene Kundendienstzentrum geschickt werden. mo-vis repariert oder ersetzt dann im eigenen Ermessen jedes von der Gewährleistung abgedeckte Produkt.

Ergänzungen

Niemand ist berechtigt, die Gewährleistungen von mo-vis zu verändern, zu erweitern oder außer Acht zu lassen.

Haftungsausschluss und Beschränkung von Rechtsmitteln

Die in dieser Vereinbarung festgelegten ausdrücklichen Gewährleistungen treten an die Stelle aller anderen Zusicherungen der Marktgängigkeit oder Eignung für einen bestimmten Zweck. mo-vis haftet unter keinen Umständen für unmittelbare oder mittelbare, nebenbei oder in der Folge entstehende Schäden aufgrund eines Mangels an diesem Produkt.

Die Gewährleistung für Teile, die einem „normalen Verschleiß“ unterliegen (z. B. Joystick-Griffe, Pads usw.), wird in der Gewährleistung nicht abgedeckt, sofern dies keine Material- oder Konstruktionsmängel betrifft.

Erlöschen von Gewährleistungen

Die vorstehenden Gewährleistungen hängen von der korrekten Installation, Verwendung, Wartung und Pflege des Produkts ab. Die Gewährleistung erlischt, wenn das Produkt unsachgemäß installiert oder verwendet wurde, oder wenn von jemand anderem als mo-vis oder einem autorisierten Händler eine Reparatur oder ein Austausch von Teilen vorgenommen wurde. Dieses Produkt wird als wartungsfrei betrachtet.

Das Hinzufügen von Vorrichtungen oder Merkmalen, die nicht von mo-vis hergestellt oder empfohlen wurden, könnte die vorgesehene Funktion des

mo-vis-Produkts beeinträchtigen und kann die Gewährleistung ungültig machen.

Warnhinweise

Lesen Sie diese Anleitung, die Sicherheitshinweise und Warntexte sorgfältig, um die mit dem Gerät verbundenen Risiken zu reduzieren. Unsere Produkte sind unter normalen und vernünftigerweise vorhersehbaren Betriebsbedingungen sicher.



ANMERKUNG: Dieses Symbol verweist auf allgemeine Hinweise und Informationen.



ACHTUNG: Dieses Symbol verweist auf eine gefährliche Situation, die zu leichten oder mittelschweren Verletzungen führen kann, wenn sie nicht vermieden wird.



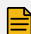
WARNUNG: Dieses Symbol verweist auf eine Warnung hinsichtlich einer gefährlichen Situation, die zum Tod oder zu schwerwiegenden Verletzungen führen kann, wenn sie nicht vermieden wird.

Schnellstartanleitung

- 1 Schließen Sie den HID-Joystick an einen Computer mit Windows 10 an, um das Gerät zu konfigurieren.
- 2 Laden Sie sich die aktuelle Version der Configurator Software von unserer Website (<http://www.mo-vis.com>) herunter.
- 3 Öffnen Sie den Configurator im **Administratormodus**.
- 4 Geben Sie zum Einloggen Ihre E-Mail-Adresse und das Passwort ein, das Sie von mo-vis erhalten haben.
- 5 Drücken und halten Sie die Modustaste an der HID-Joystick-Schnittstelle fünf Sekunden lang gedrückt, um den Konfigurationsmodus aufzurufen (drei LED-Anzeigen sollten blinken).



- 6 In Configurator wird ein COM-Anschluss erstellt. Klicken Sie auf **Verbinden > Parameter**.

 **ANMERKUNG:** Das Laden aller Parameter kann einige Minuten in Anspruch nehmen.

- 7 Überlegen Sie sich Ihre Einstellungen (Modi, Tasten usw.) und konfigurieren Sie das Gerät. Für die Tastaturstrings steht Ihnen das Keyhelp Tool auf unserer Website (<http://www.mo-vis.com>) zur

Verfügung.

- 8 Speichern Sie die Parameter auf dem Gerät.
- 9 Wenn Sie den HID Joystick verwenden möchten...
 - auf Ihrem PC: Drücken Sie kurz die Modustaste auf der HID-Schnittstelle, um den Maus-/Tastatur-/Joystick-Modus zu aktivieren.
 - auf einem anderen Gerät: Trennen Sie den HID-Joystick vom PC und schließen Sie ihn an ein anderes unterstütztes Gerät an. Ihr Gerät wird im Maus-/Tastatur-/Joystick-Modus gestartet.

Der HID-Joystick ist nun einsatzbereit.

What to do next:

- Das vollständige Handbuch des HID Joysticks finden Sie auf unserer Website.
- Für weitere Informationen über die Configurator Software, finden Sie das *Configurator Software User manual* ebenfalls auf unserer Website.

Vorgesehene Verwendung

Der HID Joystick:

- ist ein Joystick mit geringer Betätigungskraft.
- ermöglicht Personen mit (stark) eingeschränkter Muskelkraft und/oder Bewegungsmöglichkeiten, Geräte wie Computer und Spielecontroller zu bedienen.

- kann mit Hand, Finger, Kinn und den umliegenden Bereichen usw. bedient werden.
- wird für Personen mit Tetraplegie, (neuro)muskulären Erkrankungen und anderen fortgeschrittenen Erkrankungen empfohlen, wie Amyotrophe Lateralsklerose (ALS) oder Multiple Sklerose (MS).

Der HID-Joystick ist ein zusammengesetztes Human Interface Device, was bedeutet, dass dieses Gerät drei HID-Klassen umfasst: die HID-Maus, die HID-Tastatur und den HID-Joystick. Der HID-Joystick kann über USB mit einem Computer, einer Xbox-Spielekonsole, Android- oder anderen USB-Host-Geräten verbunden werden. Der HID-Joystick ist auch mit Bluetooth-Adaptoren kompatibel.

Die Configurator Software ist eine Windows-Desktop-Anwendung, über die der HID-Joystick so programmiert werden kann, dass er den Vorstellungen und Bedürfnissen des Benutzers optimal entspricht. Sie kann unter <http://www.mo-vis.com> heruntergeladen werden.



ACHTUNG: Der Joystick arbeitet mit einer hohen Empfindlichkeit. Notwendig sind eine gute Bewegungskoordination und Kraftkontrolle.

Sicherheitsanweisungen

Haftungsbeschränkung

mo-vis übernimmt **keine Haftung** für Verletzungen oder Sachbeschädigungen, die dadurch entstehen, dass der Benutzer oder andere

Personen die Empfehlungen, Warnhinweise und Anweisungen in dieser Anleitung außer Acht lassen.



ANMERKUNG: Sie finden alle mo-vis-Anleitungen unter <http://www.mo-vis.com>, wo Sie sie im PDF-Format herunterladen können.



ANMERKUNG: Falls ein schwerwiegender Vorfall im Zusammenhang mit diesem Gerät auftreten sollte, ist dieser unverzüglich mo-vis und der zuständigen Behörde des Mitgliedsstaats, in dem der Benutzer niedergelassen ist, mitzuteilen.

Warnungen und Beschränkungen



ANMERKUNG: Der HID-Joystick ist nur für den Einsatz im Unterhaltungsbereich und für unkritische Gerätebefehle konzipiert.



ACHTUNG: Lange Zeiträume sich wiederholender Bewegungen bei der Verwendung des Produkts können mit Verletzungen an Nerven, Sehnen oder Muskeln der Hände, Handgelenke, Arme, Schultern, des Nackens oder Rückens in Verbindung gebracht werden. Suchen Sie bei Schmerzen, Taubheitsgefühlen, Schwellungen, Brennen, Krämpfen oder Steifheit eine qualifizierte Gesundheitsfachkraft auf.



ANMERKUNG: Legen Sie regelmäßig Pausen ein, wenn Sie mit einem Computer arbeiten. Achten Sie auf physische Zeichen von Müdigkeit.



ACHTUNG: Der HID-Joystick wird, einschließlich des integrierten Kabels und der Schnittstelle, als wartungsfrei betrachtet. Falls Zweifel in Bezug auf Veränderungen oder Anpassungen bestehen, wenden Sie sich immer an mo-vis. Öffnen oder verändern Sie das Gerät nicht selbst.



ANMERKUNG: Dieses Produkt entspricht den Grenzwerten für die elektromagnetische Verträglichkeit (EMV) im Hinblick auf Elektro-Rollstühle, wie sie in den harmonisierten Normen für die EU in der Richtlinie über Medizinprodukte, Nr. 2017/745, festgelegt sind.



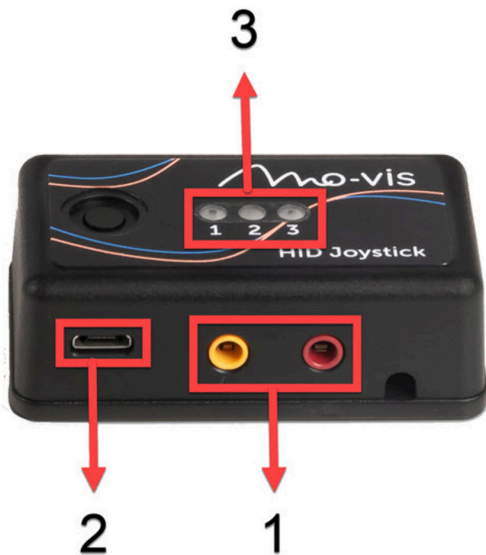
ACHTUNG: Dieses Paket kann Kleinteile enthalten, die für Kinder unter drei Jahren ein Erstickungsrisiko darstellen. Halten Sie Kleinteile von Kindern fern.

Merkmale

Der HID-Joystick ist in zwei Versionen verfügbar:

- **Micro Joystick HID**
 - ist dank geringer Betätigungskraft (ca. 8 g) und seiner Beweglichkeit (3,3 mm) ein sehr empfindlicher proportionaler Joystick.
 - ist zur einfachen Handhabung ergonomisch gestaltet. Sie können ihn zum Beispiel in der Handinnenfläche liegenlassen und ihn mit dem Daumen bedienen.

- wird mit zwei Aufsätzen geliefert: kleine Kugel oder Kappe. Verwenden Sie denjenigen Typ, der für Sie am bequemsten und effizientesten zu bedienen ist.
- **Multi Joystick HID**
 - Ist ein empfindlicher proportionaler Joystick mit verminderter Amplitude (8 mm) und geringerem Kraftaufwand (ca. 50 g).
 - ist in ein kompaktes und diskretes Gehäuse mit zwei 3,5-mm-Klinkenbuchsen als Schaltereingänge eingebaut.
 - wird mit einer Kugel als Spitze ausgeliefert.



Beide Joysticks verfügen über eine separate Schnittstelle mit folgenden Merkmalen:

- 1 zwei Stereo-Eingangsbuchsen für Schalter. Durch die Verwendung von zwei Splitter-Kabeln können Sie bis zu vier mechanische Schalter

verknüpfen.

- 2 ein Micro-USB-Anschluss. Über diesen Anschluss können Sie den HID-Joystick mit der Configurator Software verbinden, um den Joystick und die Tasten mit Maus-, Tastatur- und Joystickfunktionen zu konfigurieren. Sie können ihn auch mit dem Computer, Tablet, der Xbox usw. verbinden.
- 3 LED-Anzeigen, die Ihnen den Status des Geräts zeigen (inkl. Fehler).

Teile und Zubehör

Micro Joystick HID



Ein „Micro Joystick HID“-Paket enthält folgende Teile:

BILD	BESCHREIBUNG
	P002-50 - Micro Joystick sensor

BILD	BESCHREIBUNG
	
	M006-08 - Micro Joystick ball

BILD**BESCHREIBUNG**

BILD**BESCHREIBUNG**

M006-09 - Micro Joystick cup

BILD	BESCHREIBUNG
 The image shows four black components of a micro joystick mounting set. At the top left is a circular ring with a threaded hole and a small metal nut. To its right is a small rectangular plate with a circular hole. Below these are two long, thin cylindrical rods of different lengths.	M006-20 - Micro Joystick mounting set
	M004-91 Q2M Rod 50 mm Threaded UNC 1/4x20

BILD	BESCHREIBUNG
	
	<p>P025-51 HID Joystick Interface</p>
	<p>PM CAB00031 USB-Anschlusskabel A auf B - Micro, 1 m</p>

Multi Joystick HID



Ein „Multi Joystick HID“-Paket enthält folgende Teile:

BILD	BESCHREIBUNG
	P002-60 - Multi Joystick Sensor

BILD**BESCHREIBUNG**

M002-05 - Multi Joystick ball



M002-18 - Multi Joystick Mounting set



BILD	BESCHREIBUNG
	
	<p>M004-91 Q2M Rod 50 mm Threaded UNC 1/4x20</p>
	<p>P025-51 HID Joystick Interface</p>

BILD	BESCHREIBUNG
	
	PMCAB00031 USB-Anschlusskabel A auf B - Micro, 1 m

Ersatzteile

Ersatzteile und Zubehör müssen vom Händler bei mo-vis bv bestellt werden. Geben Sie immer den Produktcode des gewünschten Teils an.

Bedienung

Joystick

Der Joystick ist proportional, was bedeutet, dass eine Ablenkung des Joysticks direkt mit einer Bewegung in Verbindung steht: Je weiter Sie den Joystick gegenüber der Mittelposition bewegen, desto schneller ist die Aktion.

Tasten

Wenn Sie eine oder zwei Tasten verwenden:



Yellow Tip

Red Tip

- Sie können eine Taste der Modellreihe mo-vis Twister verwendet, aber jede andere Taste mit einer 3,5-mm-Mono-Klinkenverbindung sollte ebenfalls kompatibel sein.
- Sie können auch einen 3,5-mm-Stereo-Klinkenanschluss verwenden, aber dann müssen Sie den gelben oder roten Ring in der Configurator

Software ausschließen.

Wenn Sie drei oder vier Tasten verwenden möchten, benötigen Sie ein oder zwei Splitter-Kabel. Dann können Sie eine Taste der Modellreihe *mo-vis Twister* verwendet oder jede andere Taste mit einer 3,5-mm-Mono-Klinkenverbindung.



Yellow Tip Yellow Ring

Mono



Stereo



Bei einem Multi Joystick HID können die Klinkenstecker in das Gehäuse des Joysticks eingesteckt werden (das ist zum Beispiel praktisch, wenn dieser Joystick mit dem Kinn bedient wird und die Tasten in der Nähe platziert werden).



ANMERKUNG: Die Klinkenbuchsen im Gehäuse sind Duplikat der Klinkenbuchsen in der Schnittstelle, keine zusätzlichen Klinkenbuchsen.

Modustaste und LED-Anzeigen

An der Schnittstellenbox befindet sich eine Modustaste, um zwischen Arbeits- und Konfigurationsmodus umzuschalten.



- Drücken < 5 s: Konfigurationssatz ändern
- Drücken > 5 s, < 10 s: Wechsel zum Konfigurationsmodus
- Drücken > 10 s: Software zurücksetzen

BESCHREIBUNG	LED 1	LED 2	LED 3
Konfigurationssatz 1 ist aktiv.	EIN	AUS	AUS
Konfigurationssatz 2 ist aktiv.	AUS	EIN	AUS
Konfigurationssatz 3 ist aktiv.	AUS	AUS	EIN
Bootloader ist aktiv.	EIN	EIN	EIN
Konfigurationsmodus	BLINKT FORTLAUFEND		
Fehler	AUS	BLINKT	AUS
<div data-bbox="111 554 150 593" data-label="Image"></div> <p>ANMERKUNG: Die Anzahl der Blinksignale kann mit den Fehlercodes in Verbindung gebracht werden.</p>			

Installation

Vorbereitungen



ACHTUNG: Bevor Sie mit der Installation beginnen:

- Prüfen Sie die Verpackung und stellen Sie sicher, dass alle Teile vorhanden sind.
- Stellen Sie sicher, dass Sie über die erforderliche Dokumentation und die erforderlichen Kenntnisse verfügen, um dieses Gerät zu installieren.
- Prüfen Sie den Zustand des Geräts.

Werkzeug

Verwenden Sie einen Innensechskantschlüssel, um das Gerät zu installieren.



ACHTUNG: Verwenden Sie für die Installation und Einstellung des Geräts immer die richtigen Werkzeuge. Durch die Verwendung falscher Werkzeuge kann das Gerät beschädigt werden.

Installationsplan

Erstellen Sie einen Installationsplan, bevor Sie mit der Installation beginnen. Dieser Plan sollte auf Grundlage der Bedürfnisse und Fähigkeiten des Benutzers Folgendes berücksichtigen:

- Positionierung der einzelnen Teile des Geräts.
- Bedienungsweise des Geräts.
- Eine stabile und zuverlässige Platzierung. Harte oder plötzliche Bewegungen des Rollstuhls dürfen nicht zu einem Verrutschen führen.



WARNUNG: Schützen Sie das Gerät vor Stößen. Vermeiden Sie Beschädigungen an Einheit und Verkabelung. Achten Sie darauf, dass die Kabel so verlegt sind, dass ein übermäßiger Verschleiß vermieden wird.



ACHTUNG: Entfernen Sie die Schutzkappe, ehe Sie einen Anschluss herstellen. Bringen Sie immer die Schutzkappen an bzw. entfernen Sie sie nicht, wenn die Anschlüsse nicht verwendet werden.



ACHTUNG: Dies ist ein Medizingerät der Klasse I (*MDR 2017/745*). Das gesamte Zubehör, einschließlich der Schalter, muss auch der Richtlinie *MDR 2017/745* entsprechen (z. B. der *mo-vis Twister*, getestet nach der Norm *EN 12184*).



ACHTUNG: Der HID-Joystick ist für die Verwendung in Innenräumen konzipiert. Schützen Sie die Schnittstellenbox vor Wasser.



ACHTUNG: Durch eine unsachgemäße Verwendung oder Installation kann es zu einer Verletzung des Benutzers und zu Sachschäden kommen.

Installation Micro Joystick HID

- 1 Legen Sie die Position des Joysticks fest.

An der Unterseite des Micro Joystick befindet sich ein Pfeil, der die Standardrichtung Norden angibt. Dies kann aber mit der Configurator Software angepasst werden.

- 2 Platzieren Sie den Montagerring um das Joystick-Gehäuse.
- 3 Sichern Sie den Q2M-Spreizring am Montagerring.

Verwenden Sie einen Innensechskantschlüssel, um die 20-mm-Schraube festzuziehen.



ANMERKUNG: Es wird zwar nicht empfohlen, aber Sie können den Joystick auch ohne den Q2M-Spreizring montieren.



ACHTUNG: Ziehen Sie die Schrauben fest an, aber nicht zu fest. Bei einem zu hohen Kraftaufwand kann die Einheit beschädigt werden.

- 4 Schieben Sie die Einheit über eine Q2M-Stange, die ¼" Q2M Rod 50 mm mit UNC-Gewinde 1/4x20 oder eine andere 6 mm starke Stange, um den Micro Joystick HID zu positionieren.
- 5 Platzieren und fixieren Sie die Schnittstelleneinheit und alle Kabel in der gewünschten Position.
- 6 Platzieren Sie bei Bedarf bis zu vier Schalter (über Splitter-Kabel), sichern Sie die Verkabelung und schließen Sie die Stecker an.

Installation Multi Joystick HID

- 1 Legen Sie die Position des Joysticks fest.
Wenn Sie den Multi Joystick vor sich halten und sich die Klinkenbuchsen von Ihrem Blickwinkel aus auf der rechten Seite befinden, ist eine Vorwärtsbewegung des Joysticks die Standardrichtung Norden. Dies kann aber mit der Configurator Software angepasst werden.
- 2 Legen Sie fest, in welchem der drei Schlitz das Kabel verlegt werden soll.
- 3 Befestigen Sie die Montageplatte mit den vier Schrauben an der Basis des Joystick-Gehäuses.



- 4 Platzieren Sie den Q2M-Spreizring an der Unterseite der Einheit.
Verwenden Sie einen Innensechskantschlüssel, um die 14-mm-Schraube

festzuziehen.





ANMERKUNG: Es wird zwar nicht empfohlen, aber Sie können den Joystick auch ohne den Q2M-Spreizring montieren.

- 5 Schieben Sie die Einheit über eine Q2M-Stange, die $\frac{1}{4}$ " Q2M Rod 50 mm mit UNC-Gewinde oder eine andere 6 mm starke Stange, um den Multi Joystick HID zu positionieren.
- 6 Platzieren und fixieren Sie die Schnittstelleneinheit und alle Kabel in der gewünschten Position.
- 7 Platzieren Sie bei Bedarf bis zu vier Schalter (über Splitter-Kabel), sichern Sie die Verkabelung und schließen Sie die Stecker an.

Konfiguration

Softwaredownload

- Sie können sich die Configurator Software von unserer Website <http://www.mo-vis.com> herunterladen.
- Softwareanforderungen: Windows-Version 10
- Ausführliche Informationen zur Installation und Verwendung der Software finden Sie in der *Anleitung zur Configurator Software*.
- Um die Parameter des Geräts zu konfigurieren, benötigen Sie einen Zugang auf Händlerebene. Diese Ebene ist passwortgeschützt. Wenden Sie sich an mo-vis, um das Passwort zu erhalten.

Keyhelp Tool

Auf unserer Website ist außerdem das Keyhelp Tool verfügbar. Laden Sie es herunter und installieren Sie es, um sich bei der Generierung der Tastaturstrings unterstützen zu lassen.

Definieren der Parametereinstellungen

- 1 Verbinden Sie den HID-Joystick mit einem Computer. Verwenden Sie dazu ein Micro-USB-auf-USB-A-Kabel.
- 2 Öffnen Sie den Configurator im **Administratormodus**. Damit verkürzt sich die Zeit zum Laden der Parameter (30 Sekunden - 2 Minuten).
- 3 Drücken und halten Sie die Modustaste an der Schnittstelle 5 Sekunden lang, um in den Konfigurationsmodus des HID-Joysticks zu wechseln. Warten Sie, bis alle Parameter geladen wurden.



ANMERKUNG: Der HID-Joystick selbst kann nicht genutzt werden, um das Gerät zu programmieren.

- 4 Konfigurieren Sie die Parameter mit der Software oder laden Sie einen vorkonfigurierten Parametersatz auf das Gerät hoch.
- 5 Speichern Sie die Konfiguration auf dem Gerät.
- 6 Testen Sie die Konfiguration und passen Sie sie ggf. an.

Parametereinstellungen



ANMERKUNG: Für ein besseres Verständnis werden die Modi im Folgenden separat erläutert. Ein Konfigurationssatz kann aber Aktionen für unterschiedliche Modi enthalten.

Mausmodus

Parameter wie **Bewegung dpi**, **Scrollen dpi**, **Wiederholungszeit** und **Beschleunigung** sind für diesen Modus relevant. Siehe [Globale Parameter on page 121](#) .

Tastaturmodus

Sie können eine große Anzahl Tastaturstrings konfigurieren. Sowohl eine Joystick- als auch eine Tastenaktion können einen Tastaturstring senden.

Ein Tastaturstring ist gültig, wenn er zwei Hexwerte getrennt durch ein Leerzeichen enthält. Der erste Hexwert ist der Modifizierer, der zweite der Tastencode. Wenn der Modifizierer 0x00 ist, wird die Taste modifiziert.



ANMERKUNG: Die Tasten basieren auf einer QWERTY-Tastatur. Wenn Sie ein anderes Tastaturlayout verwenden, müssen Sie die entsprechende Taste der physischen Position einfügen.

Beispiel:

- 0x00 (keine Modifikation) 0x05 (Taste b und B) = b

- 0x04 (Alt links) 0x05 (Taste b und B) = B

Liste der Modifizierer:

HEX	BESCHREIBUNG
0x00	No modification
0x01	Strg links
0x02	Umschalttaste links
0x03	Strg links UND Umschalttaste links
0x04	Alt links
0x05	Strg links UND ALT links
0x08	WIN-Taste links
0x10	Strg rechts
0x20	Umschalttaste rechts
0x40	Alt rechts
0x80	Right Win modifier

Liste der Tasten:

HEX	BESCHREIBUNG
0x04	Tastatur a und A
0x28	EINGABE/RETURN
0x29	ESCAPE
0x2a	ENTFERNEN/Rücktaste
0x2b	TAB
0x2c	Leertaste
...	...

Zur einfacheren Verwendung können Sie das Keyhelp Tool von unserer Website herunterladen. Hier finden Sie zudem eine vollständige Liste der Tasten und Modifizierer: <http://www.mo-vis.com>.

Wenn Sie einen bestimmten Tastaturstring wiederholen möchten, wählen Sie **Tastatur String & Hold** als Joystick-Schubs-Aktion oder als beliebige Tastenaktion.




ANMERKUNG: Dies funktioniert wie eine Standardtastatur. Das bedeutet, dass es wichtig ist, sich zu merken, welche Taste gedrückt wurde, da diese aktiv bleibt, bis Sie **Tastatur String & Hold** deaktivieren (die gleiche Aktion ausführen).



Joystick-Modus


Keine zusätzlichen Informationen.

Globale Parameter

Globale Parameter


EINSTELLUNG	BESCHREIBUNG	PARAMETER	
Geschwindigkeit bewegen	Legt die Geschwindigkeiten der Mausbewegung fest (Punkte pro Zoll): Je höher dieser Wert ist, desto schneller bewegt sich der Cursor.  ANMERKUNG: Dies ist nur relevant, wenn eine Mausbewegungsaktion konfiguriert ist.	Standard	10
		Min.	1
		Max.	127
		Schritt	1
Scroll-Geschwindigkeit	Wenn Sie ein Scrollrad mit einer Standardmaus bewegen, können Sie ein kleines Klicken spüren. Der Wert dieses Parameters repräsentiert einen solchen Klick. Je höher dieser Wert ist, desto schneller scrollen Sie	Standard	10
		Min.	1
		Max.	127
		Schritt	1

EINSTELLUNG	BESCHREIBUNG	PARAMETER	
	<p>horizontal oder vertikal.</p> <div data-bbox="249 216 653 516">  ANMERKUNG: Speichern Sie diesen für ein kontrolliertes Scrollen (z. B. Inventar in einem Spiel oder langsames Scrollen durch ein Dokument) nicht unter einer Direktaktion, sondern unter einem Joystick-Schubs oder einem kurzen/ mittleren/langen Tastendruck. </div> <div data-bbox="249 538 653 692">  ANMERKUNG: Dies ist nur relevant, wenn eine Mausscrollen-Aktion konfiguriert ist. </div>		
Scroll Wiederholungszeit	Dieser Parameter ist nur relevant, wenn eine Maus-Scrollen-Aktion konfiguriert ist. Das Scrollen eines Mousrads mit einer Standardmaus ist ein einzelnes ausgelöstes Ereignis. Wenn die Scrollen-Aktion als direkte Joystick-Aktion zugeord-	Standard	50 ms
		Min.	50 ms
		Max.	10.000 ms
		Schritt	50 ms

EINSTELLUNG	BESCHREIBUNG	PARAMETER	
	<p>net ist, wird sie zu einem wiederholten Ereignis. Dieser Wert gibt die Wiederholungszeit des Ereignisses an (Bildlauf).</p> <div data-bbox="246 306 653 456" style="border: 1px solid #ccc; background-color: #f0f0f0; padding: 10px; margin-top: 10px;">  ANMERKUNG: Dies ist nur relevant, wenn eine Mausscrollen-Aktion konfiguriert ist. </div>		
Beschleunigung	<p>Dieser Parameter ist relevant, wenn eine Mausektion als direkte UND Stups-Aktion des Joysticks konfiguriert ist. Die direkte Aktion wird blockiert, bis der Nudge-Timer abgelaufen ist. Nach Ablauf des Timers wird sich die Maus plötzlich bewegen. Um dem Benutzer mehr Kontrolle über diese Mausbewegung zu geben, wird die Geschwindigkeit der Bewegung von Null auf die maximale Bewegungsgeschwindigkeit beschleunigt. Wie schnell diese Beschleunigung ist, wird durch diesen Parameter bestimmt.</p>	Standard	50 %
		Min.	10 %
		Max.	100 %
		Schritt	10 %

Auditives Feedback

EINSTELLUNG	BESCHREIBUNG	PARAMETER	
Mittlerer Timer	Signalton, wenn der kurze Timer der Tastenaktion abgelaufen ist	Standard	Kurzer Piepton
		Sonstiges	Keiner
Langer Timer	Signalton, wenn der mittlere Timer der Tastenaktion abgelaufen ist	Standard	langer Piepton
		Sonstiges	Keiner
Config set	Signalton beim Wechsel zu einem anderen Konfigurationssatz	Standard	Anzahl der Pieptöne
		Sonstiges	Keiner
Volumen	Lautstärke des akustischen Feedbacks	Standard	100 %
		Min.	0 %
		Max.	100 %
		Schritt	1 %

 **ANMERKUNG:** Dieser Parameter ist nur relevant, wenn für die Parameter für das

EINSTELLUNG	BESCHREIBUNG	PARAMETER
	auditive Feedback ein Piepton konfiguriert wurde.	

Tasten



ANMERKUNG: Obwohl die maximale Anzahl der Tasten bei vier liegt, können bis zu 12 Aktionen mit den Tasten programmiert werden. Die Tasten können entweder eine **direkte Aktion** ausführen oder Sie können zwischen einem **kurzen/mittleren/langen Druck** unterscheiden.

EINSTELLUNG	BESCHREIBUNG	PARAMETER	
Kurzer Timer	Nur relevant, wenn Sie einen kurzen / mittleren / langen Druck anstelle einer direkten Aktion wählen. Wenn die Taste eine Zeit lang gedrückt wird, die kleiner als der Kurzzeitgeber ist, wird die Kurzdrukaktion ausgeführt. Wenn die Taste länger als der kurze Timer,	Standard	1.000 ms
		Min.	0 ms
		Max.	10.000 ms
		Schritt	100 ms
Langer Timer		Standard	2.000 ms


EINSTELLUNG	BESCHREIBUNG	PARAMETER	
	aber kürzer als der lange Timer gedrückt wird, wird die mittlere Druckaktion ausgeführt. Wenn die Taste länger als der lange Timer gedrückt wird, wird die Aktion zum langen Drücken ausgeführt.	Min.	0 ms
		Max.	10.000 ms
		Schritt	100 ms
Entprellungszeitgeber	Die Taste muss länger als der Entprellungs-Timer gedrückt werden, bevor sie als Eingabe angesehen wird. Es kann sinnvoll sein, diesen Timer zu erhöhen, wenn der Benutzer z. B. einen Tremor hat.	Min.	20 ms
		Max.	100 ms
		Schritt	10 ms


Eingangs-Joystick



ANMERKUNG: Der Joystick kann zwischen einer direkten Aktion und einem Schubs unterscheiden.


EINSTELLUNG	BESCHREIBUNG	PARAMETER	
Schwellenwert/Threshold	Der Schwellenwert (Threshold) wird verwendet, wenn der Joystick als Schalter konfiguriert ist. Wenn der Joystick weiter als bis zum Schwellenwert ausgelenkt wird, betrachtet das System dies als Tastendruck. Wenn der Joystick wieder unter dem Schwellenwert liegt, betrachtet das System dies als Schlüsselfreigabe.	Standard	50
		Min.	30
		Max.	70
		Schritt	1
Nudge-Timer	Der Nudge-Timer definiert die Zeit, die zum Erkennen eines Joystick-Nudge verwendet wird. Der Nudge-Timer startet, wenn der Joystick weiter als bis zur Schwelle ausgelenkt wird, und stoppt, wenn er wieder unter der Schwelle liegt.	Standard	1.000
		Min.	0
		Max.	50.000
		Schritt	100

 **ANMERKUNG:** Wenn der Wert des Nudge-Timers 0 ist, ist keine Schubsaktion möglich.

EINSTELLUNG	BESCHREIBUNG	PARAMETER	
	 ANMERKUNG: Die Ausgabe der direkten Aktion wird blockiert, solange dieser Timer aktiv ist.		
Totzone	Sie können die Totzone oder die neutrale Zone um die Mitte des Joysticks einstellen, in der Bewegung nicht als Eingabe angesehen wird.	Standard	10 %
		Min.	0
		Max.	15
		Schritt	1

Verschiedenes

EINSTELLUNG	BESCHREIBUNG	PARAMETER	
Eingangsfilter	Wenn Sie diese Einstellung auf Diagon.Achsen blockieren setzen, werden nur Bewegungen nach Norden, Süden, Osten und Westen erkannt. Dies kann für Personen nützlich sein, die den Joystick nicht	Standard	Keiner
		Sonstiges	Diagon.Achsen blockieren

EINSTELLUNG	BESCHREIBUNG	PARAMETER	
	sehr präzise bedienen können.		
Acht Tastaturachsen	<p>Standardmäßig können Sie die Tastaturachsen nicht kombinieren. Wenn Sie z. B. die Pfeiltasten nach OBEN und dann nach LINKS verwenden möchten, müssen Sie jedes Mal zur Mitte zurückgehen. Sie können jedoch acht Tastaturachsen aktivieren. Auf diese Weise können Sie die Tasten OBEN und LINKS gleichzeitig betätigen.</p> <div data-bbox="249 538 653 751" style="border: 1px solid #ccc; padding: 10px; background-color: #f9f9f9;"> <p> ANMERKUNG: Vergewissern Sie sich, dass alle Schubsaktionen in der aktiven Konfiguration auf Keine und alle direkten Aktionen auf Tastaturstring eingestellt sind.</p> </div>	Standard	Aus
		Sonstiges	Ein

Konfigurationssätze

Im HID-Joystick können drei unterschiedliche Konfigurationssätze konfiguriert werden. Der Benutzer kann leicht zwischen den verschiedenen Konfigurationssätzen wechseln, indem diese Funktion einer Aktion des

Joysticks oder einer Taste zugewiesen wird. Die Konfigurationssätze werden durch LED-Anzeigen auf der Schnittstelle (1 grüne LED = Konfigurationssatz 1 usw.) und optional durch auditives Feedback angegeben.



ANMERKUNG: Wenn der Benutzer eine Aktion ausführt (z. B. linker Mausklick) und in diesem Moment zu einem anderen Konfigurationssatz wechselt, wird die Aktion abgebrochen.


Joystick-Parameter

Jeder Joystick-Richtung können unterschiedliche Aktionen zugewiesen werden. Diese erfolgen entweder mit einer Schubs- oder vollständigen Bewegung.


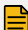
- Norden = vorwärts
- Osten = rechts
- Süden = rückwärts
- Westen = links

Informationen zur Standardposition Norden finden Sie unter [Installation Micro Joystick HID on page 111](#) und [Installation Multi Joystick HID on page 112](#) .

EINSTELLUNG	BESCHREIBUNG	PARAMETER
Aktion –	Die Aktion wird vom Drücken der	Optionen • Keiner

EINSTELLUNG	BESCHREIBUNG	PARAMETER	
direkt	<p>Taste bis zum Loslassen der Taste aktiviert.</p> <div data-bbox="241 244 629 396" style="border: 1px solid #ccc; background-color: #f9f9f9; padding: 10px; margin-top: 10px;">  ANMERKUNG: Die Ausgabe der direkten Aktion ist blockiert, solange der Nudge-Timer aktiv ist. </div>		<ul style="list-style-type: none"> • Linker Mausklick • Rechter Mausklick • Mausscrollen N - O - S - W • Mausbewegung N - O - S - W • Joystick Taste 1-8 • Tastaturstr
Aktion - Schubs	<p>Alle verschiedenen Aktionen können einem Schubsen des Joysticks zugeordnet werden.</p>	Optionen	<ul style="list-style-type: none"> • Keiner • Linker Mausklick • Rechter Mausklick • Mittlerer Mausklick • Linker

EINSTELLUNG	BESCHREIBUNG	PARAMETER
		<ul style="list-style-type: none"> Mausklick und halten • Doppelter linker Mausklick • Mausscrollen N - O - S - W • Config set 1 - 2 - 3 • Joystick Taste 1-8 • Tastaturstring • Tastatur String &
Tastaturstring - direkt	Diese Option ist nur aktiv, wenn der Wert Tastaturstring für Aktion – direkt ausgewählt ist.	Weitere Informationen finden Sie unter Tastaturmodus on page 118 .

EINSTELLUNG	BESCHREIBUNG	PARAMETER
	 ANMERKUNG: Diese Aktion sendet die Zeichen, so lange die Aktion aktiv ist.	
Tastaturstring - Schubs	<p>Diese Option ist nur aktiv, wenn der Wert Tastaturstring für Aktion – Schubs ausgewählt ist.</p>  ANMERKUNG: Diese Aktion sendet ein einzelnes Zeichen.	Weitere Informationen finden Sie unter Tastaturmodus on page 118 .

Tastenparameter

Die Tasten können entweder eine **direkte Aktion** ausführen oder Sie können zwischen einem **kurzen/mittleren/langen Druck** unterscheiden.

Weitere Informationen finden Sie unter [Tasten on page 103](#) .

EINSTELLUNG	BESCHREIBUNG	PARAMETER
Aktion – direkt	Diese Aktion wird ab dem Moment aktiviert, in dem die Taste gedrückt	Optionen <ul style="list-style-type: none"> • Keiner • Linker

EINSTELLUNG	BESCHREIBUNG	PARAMETER
	wird.	Mausclick <ul style="list-style-type: none"> • Rechter Mausclick • Mittlerer Mausclick • Linker Mausclick und halten • Doppelter linker Mausclick • Mausscrollen N - O - S - W • Config set 1 - 2 -3 • Joystick Taste 1-8 • Tastaturstring • Tastatur String &

EINSTELLUNG	BESCHREIBUNG	PARAMETER	
Kurzer/ mittlerer/ langer Druck	Diese Aktion wird ab dem Moment aktiviert, in dem die Taste losgelassen wird.	Optionen	<ul style="list-style-type: none"> • Keiner • Linker Mausklick • Rechter Mausklick • Mittlerer Mausklick • Linker Mausklick und halten • Doppelter linker Mausklick • Mausscrollen N - O - S - W • Config set 1 - 2 - 3 • Joystick Taste 1-8 • Tastaturstring

EINSTELLUNG	BESCHREIBUNG	PARAMETER
Tastaturstring - direkt + kurzer/ mittlerer/ langer Druck	Geben Sie den Modifikator und den Tastencode ein.	<ul style="list-style-type: none"> • Tastatur String & <p>Weitere Informationen finden Sie unter Tastaturmodus on page 118 .</p>

Unterstützte Plattformen

Der HID-Joystick wird von den folgenden Plattformen unterstützt:

- [Windows on page 137](#)
- [OSX on page 138](#)
- [Android on page 140](#)
- [iOS on page 142](#)
- [Xbox/XAC on page 146](#)

Windows

Der HID-Joystick wurde für Windows 10 entwickelt. Das USB-Kabel des HID-Joysticks kann an einen freien Anschluss des Computers angeschlossen werden.

Tastatur

Siehe [Tastaturmodus on page 118](#) .

Maus

Einige Beispiele für Mauseaktionen, die unter Windows unterstützt werden:

TASTE	BESCHREIBUNG
Nach Norden/Osten/Süden/Westen bewegen	Cursor bewegt sich nach oben/ unten/links/rechts
Nach Norden/Osten/Süden/Westen scrollen	Auf einer Seite/einem Dokument nach oben/unten/links/rechts scrollen
Linker Mausklick	Auswahl
Mittlerer Mausklick	Doppelklick
Rechter Mausklick	Kontextmenü (Rechtsklickmenü)

TASTE	BESCHREIBUNG
Linker Mausklick und halten	Auswahl und halten
Doppelter linker Mausklick	Datei öffnen



ANMERKUNG: Die mittlere Maustaste ist standardmäßig keine unterstützte Aktion. Sie wird aber vom Firefox-Browser unterstützt: Durch Anklicken eines Tabs in Firefox mit der mittleren Maustaste wird dieser Tab geschlossen.

Joystick

Die Aktionen des Joysticks können im Windows Game Controller Tester getestet werden.

Unter Windows: **Set up USB Game Controllers > Properties > Test.**

Dieses Menü zeigt eine Achse und acht Tasten. Wenn eine Taste gedrückt wird, wird sie hervorgehoben. Wenn eine Achse geändert wird, ändert sich das Fadenkreuz.

OSX

Das USB-Kabel des HID-Joysticks kann an einen freien Anschluss des Computers angeschlossen werden.

Tastatur

Siehe [Tastaturmodus on page 118](#) .

Maus

Die folgenden Mausaktionen können konfiguriert werden:

TASTE	BESCHREIBUNG
Nach oben/unten/links/rechts bewegen	Cursor bewegt sich nach oben/unten/links/rechts
Nach oben scrollen/nach unten scrollen	Nach oben/unten scrollen (z. B. auf einer Website mit sehr viel Inhalt)
Nach links/rechts scrollen	Horizontal scrollen (z. B. in einem Buch)
Tastenklick links	Auswahl
Tastenklick Mitte	Doppelklick
Tastenklick rechts	Kontextmenü (Rechtsklickmenü)

Joystick

Joystick-Aktionen werden im Betriebssystem unterstützt.

Android

Das USB-Kabel des HID-Joysticks kann über ein USB-OTG-Kabel mit einem Android-Smartphone oder -Tablet verbunden werden. Nach einigen Sekunden sollte das Smartphone bzw. das Tablet den HID-Joystick erkennen.

Tastatur

Sie können den Tastaturmodus nutzen, um Ihr Android-Gerät mit Tastenkombinationen zu bedienen (siehe Tabelle unten). Diese Liste ist nicht vollständig. Es gibt aber die Android-App External Keyboard Helper, mit der Sie benutzerdefinierte Tastaturkombinationen erstellen können.

BESCHREIBUNG	TASTATURSTRING
Navigation nach oben	KEY_UP 0x00 0x52
Navigation nach unten	KEY_DOWN 0x00 0x51
Navigation nach links	KEY_LEFT 0x00 0x50
Navigation nach rechts	KEY_RIGHT 0x00 0x4f
Auswahl öffnen	KEY_ENTER 0x00 0x28
Zurück	KEY_ESC 0x00 0x29
Zeichen löschen	KEY_BACKSPACE 0x00 0x2a
Tasks wechseln	MOD_LALT + KEY_TAB 0x04 0x2b

BESCHREIBUNG	TASTATURSTRING
Browser öffnen	MOD_LMETA + KEY_B 0x08 0x05
Ausschneiden	MOD_LCTRL + KEY_X 0x01 0x1b
Kopieren	MOD_LCTRL + KEY_C 0x01 0x06
Einfügen	MOD_LCTRL + KEY_V 0x01 0x19
Nächstes Fenster	KEY_TAB 0x00 0x2b
Textauswahl nach oben	MOD_LSHIFT + KEY_UP 0x02 0x52
Textauswahl nach unten	MOD_LSHIFT + KEY_DOWN 0x02 0x51
Textauswahl nach rechts	MOD_LSHIFT + KEY_RIGHT 0x02 0x50
Textauswahl nach links	MOD_LSHIFT + KEY_LEFT 0x02 0x4f
Löschen	KEY_DELETE 0x00 0x4c

Maus

Die folgenden Mausaktionen können konfiguriert werden:

TASTE	BESCHREIBUNG
Nach oben/unten/links/rechts	Cursor bewegt sich nach oben/

TASTE	BESCHREIBUNG
bewegen	unten/links/rechts
Nach oben scrollen/nach unten scrollen	Nach oben/unten scrollen
Tastenklick links	Auswahl
Tastenklick Mitte	Zurück zum Startmenü
Tastenklick rechts	Zurück zum vorherigen Menü
Taste Doppelklick links	App öffnen

Joystick

Wir unterstützen acht Tasten, die pro Spiel zugeordnet werden können.



ANMERKUNG: Um die Funktion zu testen, können Sie die kostenlose App Game controller keymapper von AnkitChowdhury installieren. So können Sie die Achse und Tastencodes visualisieren.

iOS

Das USB-Kabel des HID-Joysticks kann über ein Apple-Lightning-auf-USB-Adapterkabel mit einem iPad oder iPhone verbunden werden. Nach einigen Sekunden sollte das Smartphone bzw. das Tablet den HID-Joystick erkennen.

Tastatur

Sie können mit der Tastatur in iOS mit Tastaturkombinationen navigieren:

BESCHREIBUNG	TASTATURSTRING
Navigation nach oben	KEY_UP 0x00 0x52
Navigation nach unten	KEY_DOWN 0x00 0x51
Navigation nach links	KEY_LEFT 0x00 0x50
Navigation nach rechts	KEY_RIGHT 0x00 0x4f
Auswahl öffnen	KEY_SPACE 0x00 0x2c
Startseite aufrufen	MOD_LMETA + KEY_H 0x08 0x0b
Zeichen löschen	KEY_BACKSPACE 0x00 0x2a
Tasks wechseln	MOD_LALT + KEY_TAB 0x04 0x2b
Ausschneiden	MOD_LCTRL + KEY_X 0x01 0x1b
Kopieren	MOD_LCTRL + KEY_C 0x01 0x06
Einfügen	MOD_LCTRL + KEY_V 0x01 0x19
Nächstes Fenster	KEY_TAB 0x00 0x2b
Textauswahl nach oben	MOD_LSHIFT + KEY_UP 0x02 0x52

BESCHREIBUNG	TASTATURSTRING
Textauswahl nach unten	MOD_LSHIFT + KEY_DOWN 0x02 0x51
Textauswahl nach rechts	MOD_LSHIFT + KEY_RIGHT 0x02 0x50
Textauswahl nach links	MOD_LSHIFT + KEY_LEFT 0x02 0x4f
Löschen	KEY_DELETE 0x00 0x4c



ANMERKUNG: So erstellen Sie benutzerdefinierte Tastaturkombinationen unter iOS: **Einstellungen > Bedienungshilfen > Tastaturen > Tastatursteuerung > Ein.** Rufen Sie **Befehle** auf: Tippen Sie auf einen Befehl und drücken Sie dann eine benutzerdefinierte Taste, um diese zuzuweisen. Klicken Sie dann auf **Fertig**.



ANMERKUNG: So ändern Sie das Tastaturlayout unter iOS: **Einstellungen > Allgemein > Tastatur > Tastaturen** – belassen Sie den Finger auf der Tastatur und wählen Sie **QWERTY/AZERTY/QWERTZ**.

Maus

Einrichten der Maustasten:

Einstellungen > Bedienungshilfen > Touch > Assistive Touch > Assistive Touch aktivieren.

Verbinden Sie den HID-Joystick über das Lightning-Kabel mit dem Apple-Gerät.

Tippen Sie auf **Geräte > Hid Joyst. Int > Zusätzliche Tasten anpassen:**

- Setzen Sie Taste 1 auf **Einmal tippen**.
- Setzen Sie Taste 2 auf **Sekundärklick**.
- Setzen Sie Taste 3 auf **Home**.

Die folgenden Mausaktionen können konfiguriert werden:

TASTE	BESCHREIBUNG
Nach oben/unten/links/rechts bewegen	Cursor bewegt sich nach oben/unten/links/rechts
Nach oben scrollen/nach unten scrollen	Nach oben/unten scrollen
Tastenklick links	Auswahl
Tastenklick Mitte	Zurück zum Startmenü
Tastenklick rechts	Zurück zum Startmenü

Joystick

Wird unter iOS nicht unterstützt.

Xbox/XAC



ANMERKUNG: Die Xbox unterstützt die Verwendung der Maus und der Tastatur in einigen Spielen und Apps, aber dies funktioniert nicht bei allen Inhalten. Das veröffentliche Spiel bzw. die App muss diese Funktion für die Inhalte aktivieren. Alternativ können Sie den adaptiven Xbox-Controller verwenden, um nicht unterstützte Spiele zu spielen.

Weitere Informationen zum Anschluss eines USB-Geräts an die Xbox finden Sie in der Anleitung der Xbox.

Tastatur

Sie können mit der Tastatur im Xbox-Menü mit Tastaturkombinationen navigieren:

TASTATURSTRING	BESCHREIBUNG
KEY_UP – 0x00 0x52	Navigation nach oben
KEY_DOWN - 0x00 0x51	Navigation nach unten
KEY_LEFT - 0x00 0x50	Navigation nach links
KEY_RIGHT - 0x00 0x4f	Navigation nach rechts

TASTATURSTRING	BESCHREIBUNG
MOD_LMETA + KEY_LEFTMETA – 0x08 0xe3	Anleitung öffnen
KEY_ENTER 0x00 0x28	Auswahl
KEY_SPACE 0x00 0x2x	Auswahl
KEY_ESC 0x00 0x29	Zurück
MOD_LMETA + KEY_BACKSPACE 0x08 0x2a	Zurück
KEY_TAB 0x00 0x2b	Zur nächsten Kachel wechseln
MOD_LSHIFT + KEY_TAB 0x02 0x2b	Zur vorherigen Kachel wechseln
MOD_LMETA + KEY_M 0x08 0x10	Menü öffnen
MOD_LMETA + KEY_V 0x08 0x19	Anzeige ändern
KEY_Y 0x00 0x1c	Suche öffnen

Maus



ANMERKUNG: Eine kabelgebundene USB-Maus funktioniert nur in ausgewählten Spielen und Apps, bei denen die Mausnavigation

aktiviert ist. Prüfen Sie Ihr Spiel, um zu sehen, ob es Unterstützung für die Maus bietet.

So konfigurieren Sie die Maus:

- 1 Drücken Sie die Xbox-Taste auf dem Controller, um die Anleitung zu öffnen.
- 2 Wählen Sie **Profile & System** > **Einstellungen** > **Geräte & Streaming**.
- 3 Wählen Sie **Maus**. Die Optionen für die Zeigergeschwindigkeit und für den Wechsel der primären und sekundären Maustasten wird angezeigt.



ANMERKUNG: Sie können keine Maus auf dem **Startbildschirm** oder innerhalb der Xbox-Benutzeroberfläche verwenden, während Sie im Dashboard navigieren.



ANMERKUNG: Sie müssen den Controller für die Konfiguration der Maus verwenden. **Einstellungen** unterstützt keine Mausinteraktion.



ANMERKUNG: Ein Maus funktioniert nicht in Microsoft Edge, das bereits über einen Bildschirmlcursor verfügt.

Adaptiver Xbox-Controller (XAC)

Der HID-Joystick ist mit dem XAC kompatibel. Der XAC wurde primär dafür entwickelt, die Anforderungen von Gamern mit eingeschränkter Mobilität zu

erfüllen und ist ein einheitlicher Hub für Geräte, um Gaming barrierefreier zu machen.

Schließen Sie das USB-Kabel des HID-Joysticks an den XAC an und verwenden Sie den HID-Joystick im Joystick-Modus.

Der XAC verfügt über zwei USB-Anschlüsse: Der linke USB-Anschluss ersetzt den linken Thumbstick und der rechte USB-Anschluss ersetzt den rechten Thumbstick.



ANMERKUNG: Andere HID-Geräte, wie Maus und Tastatur, werden vom XAC nicht unterstützt. Daher müssen Sie sicherstellen, dass der HID-Joystick auf den richtigen Konfigurationsmodus eingestellt ist.

Der XAC ordnet die Joystick-Tasten automatisch zu.

JOYSTICK-TASTE	LINKER USB-ANSCHLUSS	RECHTER USB-ANSCHLUSS
Taste 1	X1	Anzeige
Taste 2	X2	Menü
Taste 3	ThumBtnL	ThumBtnR
Taste 4	BumperL	BumperR
Taste 5	A	X
Taste 6	B	J

JOYSTICK-TASTE	LINKER USB-ANSCHLUSS	RECHTER USB-ANSCHLUSS
Taste 7	Anzeige	X1
Taste 8	Menü	X2



ANMERKUNG: Wenn die Tasten mit der Xbox-Zubehör-App neu konfiguriert wurden, wird die neue Konfiguration auch auf die USB-HID-Joystick-Tasten übernommen.

Die Aktionen können auf der Xbox One getestet werden.

Laden Sie sich die kostenlose App Game Controller Tester aus dem Microsoft Store herunter. Öffnen Sie die App und wählen Sie den adaptiven Xbox-Controller als zu testenden Controller aus. Drücken Sie die Tasten und bewegen Sie den Joystick. Die entsprechenden Taste leuchten auf und die Achse bewegt sich in die angeforderte Richtung.

Erstmalige Verwendung

Während der ersten Verwendung sollten der Benutzer und/oder seine Begleitperson diese Anleitung sorgfältig durchlesen.

Zur Erzielung eines gesteigerten Bedienkomforts ist es wichtig, dass der Benutzer die Installation vollumfänglich nachvollziehen kann und versteht, wie das Produkt einzusetzen ist und was eingestellt werden kann.

- 1 Lesen Sie sich die Anleitung sorgfältig durch und stellen Sie sicher, dass Sie die Funktion jeder Joystickaktion und jeder Taste verstehen.
- 2 Prüfen Sie, ob der Joystick, das Gehäuse, die Verkabelung und alle Anschlüsse intakt sind.
- 3 Testen Sie alle Positionen des HID-Joysticks.
 - Sind Joystick und Schalter leicht erreichbar?
 - Kann der Benutzer das Gerät mühelos und sicher bedienen?
 - Ist die Anordnung von Joystick und Schaltern für den Benutzer in allen möglichen Positionen optimal?
 - Kehrt der Joystick in seine Standardposition zurück, nachdem er vorwärts, rückwärts, nach links und rechts bewegt und wieder freigegeben wurde?
- 4 Verändern Sie ggf. die Einstellung des HID-Joysticks.
- 5 Stellen Sie sicher, dass Sie mögliche Probleme und die Möglichkeiten zu ihrer Behebung verstehen.

Wartung

Reinigung



WARNUNG: Da Staub und Schmutz zu einer reduzierten Funktionalität führen könnten, sollten alle Teile des Geräts regelmäßig (monatlich) bzw. bei Bedarf gereinigt werden.

- Entfernen Sie Staub und Schmutz vorsichtig mit einem feuchten Tuch.
- Verwenden Sie nur milde Reiniger mit Desinfektionswirkung.



ACHTUNG: Nicht in Wasser tauchen oder übermäßig viel Flüssigkeit verwenden.



ACHTUNG: Tragen Sie keine zusätzlichen Schmierstoffe auf die beweglichen Teile auf.

Die Joystickgriffe können zur Reinigung abgenommen werden.

- Der Griff kann kurz in warmes Wasser mit einem milden Reiniger getaucht werden. Lassen Sie den Griff trocknen, bevor Sie ihn wieder aufsetzen.
- Wenn der Griff beschädigt oder abgenutzt ist oder sich die Verschmutzung nicht lösen lässt, wenden Sie sich für den Austausch an Ihren autorisierten Händler oder mo-vis.

Monatliche Prüfung

Überprüfen Sie monatlich bzw. nach Bedarf:

- Alle Bolzen und Schrauben sind immer noch fest angezogen.
- Die Verkabelung ist nicht beschädigt.
- Kein Teil zeigt Anzeichen von übermäßigem Verschleiß.

Wartungsfreiheit

Der HID-Joystick ist wartungsfrei. Unter normalen Umständen im Gebrauch müssen HID-Joystick, Schnittstelleneinheit und verschiedene Teile nicht eigens gewartet werden.

Fehlercodes



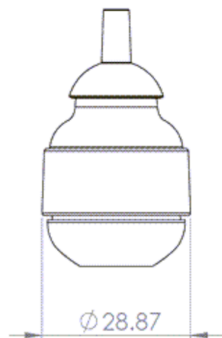
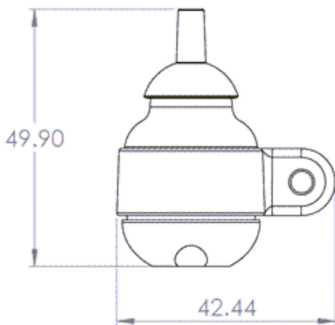
PROBLEM: Bei einem Fehler beginnen die LEDs des HID-Joysticks zu blinken. Es kommt zu einer langen Pause, gefolgt von einer Reihe von Blinksignalen in kurzem Abstand. Wenden Sie sich bei einem Fehler an mo-vis oder Ihren Händler.

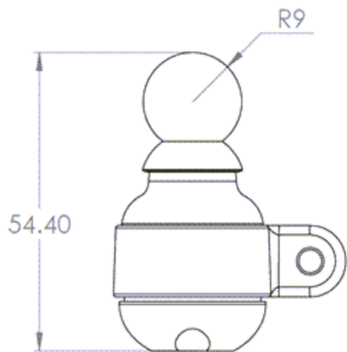
ANZAHL BLINKSIGNALLE LED	URSACHE	ERFORDERLICHE MASSNAHME
2	Der Msp-Sensor ist	Wenden Sie sich an

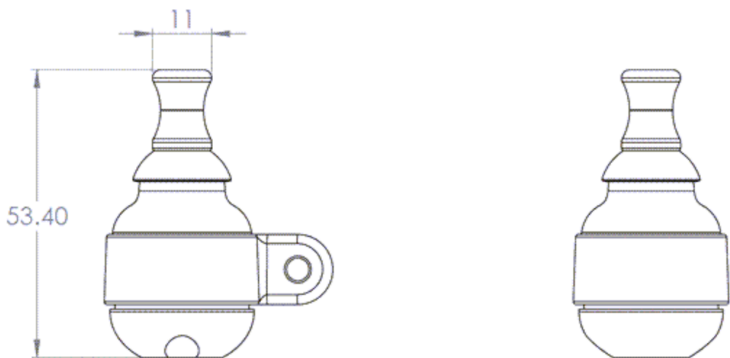
ANZAHL BLINKSIGNALLE LED	URSACHE	ERFORDERLICHE MASSNAHME
	nicht angeschlossen.	mo-vis.
3	Verbindungsproblem mit dem externen EEPROM.	

Abmessungen

Micro Joystick HID



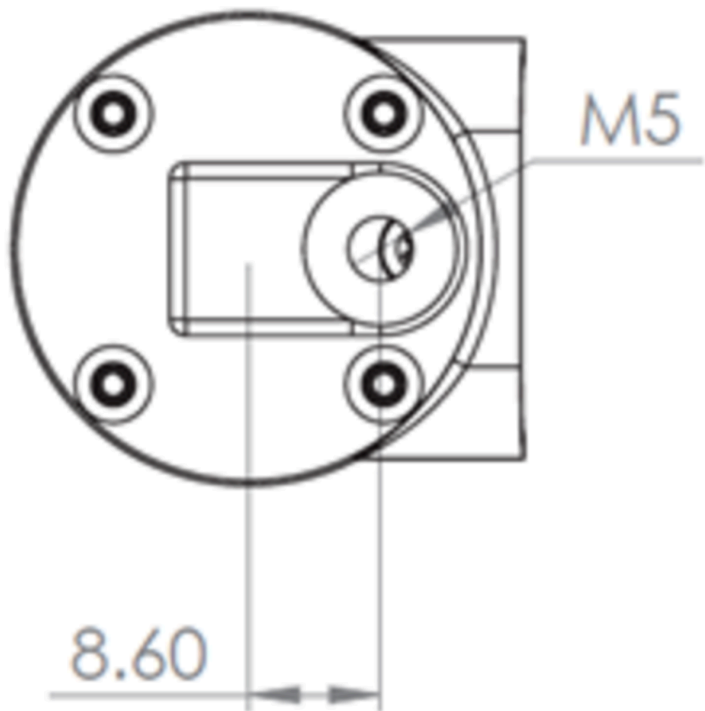




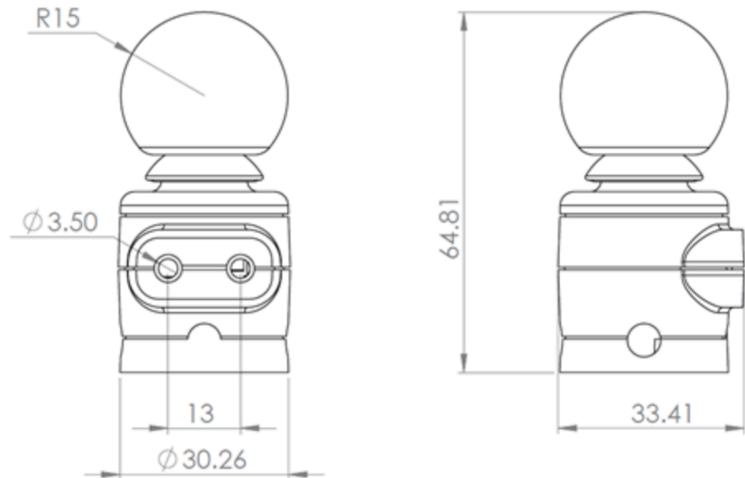
TEIL	ABMESSUNGEN (METRISCH)	ABMESSUNGEN (ANGLOAMERIKANISCH)
Joystick	50 mm x 29 mm x 29 mm (HxBxT)	1,97 x 1,41 x 1,41 Zoll (HxBxT)
Kugel	16 mm x 18 mm x 18 mm (HxBxT)	0,63 x 0,71 x 0,71 Zoll (HxBxT)
Kappe	15 mm x 11 mm x 11 mm (HxBxT)	0,59 x 0,43 x 0,43 Zoll (HxBxT)

Multi Joystick HID

Ansicht von unten:



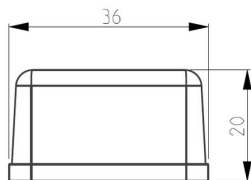
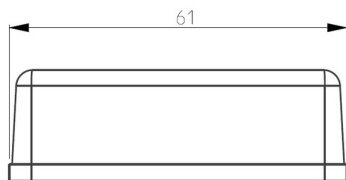
Ansicht von der Seite:



TEIL	ABMESSUNGEN (METRISCH)	ABMESSUNGEN (ANGLOAMERIKANISCH)
Joystick	65 mm x 31 mm x	2,55 Zoll x 1,22 Zoll x

TEIL	ABMESSUNGEN (METRISCH)	ABMESSUNGEN (ANGLOAMERIKANISCH)
	31 mm (HxBxT)	1,22 Zoll
Kugel	26 mm x 30 mm x 30 mm	1,02 Zoll x 1,18 Zoll x 1,18 Zoll

Schnittstellenbox



20 mm x 36 mm x 61 mm (HxBxT)

Technische Daten

Produktbeschreibung & Code

- P025-61 Micro Joystick HID

Schnittstellenanschlüsse

- 3,5-mm-Stereo-Klinkenbuchse
- Micro-USB (Verwenden Sie ein Micro-USB-Kabel mit einer Länge von < 3 m.)

Kraftaufwand

- Micro Joystick HID: ca. 8 g
- Multi Joystick HID: ca. 50 g

Manuel de l'utilisateur (Français)

Assistance, mise au rebut et recyclage

Assistance technique



PROBLÈME: En cas de problèmes techniques :

- Contactez votre revendeur
- Si votre revendeur n'est pas disponible ou si vous ne savez pas de qui il s'agit, veuillez contacter mo-Vis : par e-mail à contact@mo-vis.com ou par téléphone au +32 9 335 28 60.

Veuillez toujours mentionner le code de produit et le numéro de série de l'appareil lorsque vous nous contactez. Cela permet de s'assurer que les informations qui vous sont fournies sont correctes.

Pièces de rechange et accessoires

Contactez mo-vis ou votre revendeur pour en savoir plus sur les pièces de rechange et les accessoires.

Mise au rebut et recyclage



ATTENTION: Veuillez vous conformer aux réglementations locales en matière de mise au rebut. Veuillez éliminer les éléments

électroniques obsolètes de manière responsable en conformité avec les réglementations locales en matière de recyclage.

Garantie

mo-vis bv garantit que le produit est dépourvu de tout défaut matériel et de fabrication pour une période de deux (2) ans à condition de l'utiliser de manière appropriée, avec soin et en effectuant les entretiens nécessaires. Le Revendeur ne doit jamais conserver les produits mo-vis dans son stock pour une période de plus de six (6) mois avant de les livrer à l'utilisateur final. La garantie de mo-vis n'excédera jamais une période de deux (2) ans et six (6) mois après l'expédition.

Les garanties s'appliquent seulement à l'acquisition initiale auprès d'un revendeur mo-vis agréé ou de mo-vis.

Réparation et remplacement

Pour les services sous garantie, contactez votre revendeur (ou nous, si vous l'avez acheté directement). En cas de défaut matériel ou de fabrication, le revendeur doit obtenir un numéro d'autorisation de retour (RMA) de notre part. Le produit doit ensuite être renvoyé à un centre de services désigné par mo-vis. mo-vis effectuera la réparation ou, à sa discrétion, remplacera le produit couvert par la garantie.

Modifications

Nul n'est autorisé à modifier, étendre ou lever les garanties de mo-vis.

Exclusion et limitations de recours

Les garanties expresses stipulées dans cet accord remplacent toutes les autres garanties de qualité marchande ou d'usage conforme. mo-vis ne peut en aucun cas être tenu responsable de tout dommage direct, indirect, accidentel ou conséquent résultant de tout défaut de ce produit.

Les pièces soumises à une « usure normale » (par exemple les poignées du joystick, les coussins, etc.) ne sont pas couvertes par la garantie, sauf en matière de défauts matériels ou de fabrication.

Annulation des garanties

Les garanties ci-dessus dépendent de l'installation, de l'utilisation, de l'entretien et du soin apporté au produit. La garantie est annulée si le produit a été installé ou utilisé de manière incorrecte ou si une réparation a été effectuée ou une pièce remplacée par une autre personne que mo-vis ou un revendeur autorisé. Le produit est considéré comme une pièce ne nécessitant pas d'entretien.

L'ajout d'équipements ou de fonctionnalités non fabriqués ou recommandés par mo-vis peut affecter la fonction prévue du produit, rendant ainsi la garantie caduque.

Étiquettes d'avertissement

Veillez lire attentivement le manuel, les mesures de sécurité et les textes d'avertissement afin de réduire les risques liés à l'appareil. Nos

produits sont sûrs dans des conditions de fonctionnement normales et raisonnablement prévisibles.



REMARQUE: Ce symbole indique les remarques et les informations générales.



ATTENTION: Ce symbole indique une mise en garde contre une situation dangereuse qui, si elle n'est pas évitée, peut entraîner des blessures mineures ou modérées.



AVERTISSEMENT: Ce symbole indique un avertissement contre une situation dangereuse qui, si elle n'est pas évitée, peut entraîner des blessures sérieuses ou la mort.

Guide de démarrage rapide

- 1 Raccordez le Joystick HID à un ordinateur doté de Windows 10 pour configurer l'appareil.
- 2 Téléchargez la version la plus récente du Configurator Software sur notre site <http://www.mo-vis.com>.
- 3 Ouvrez le Configurator en **mode Administrateur**.
- 4 Pour vous connecter, renseignez votre adresse e-mail et le mot de passe

que vous avez obtenu de mo-vis.

- 5 Poussez et maintenez enfoncé le contacteur de mode du Joystick HID pendant 5 secondes pour entrer dans le mode de configuration (3 voyants LED devraient clignoter).



- 6 Un port COM est créé dans Configurator. Cliquez sur **Paramètres > connexion**.



REMARQUE: Le chargement de tous les paramètres peut prendre quelques minutes.

- 7 Pensez à votre configuration (modes, boutons etc...) et configurez votre appareil. Pour les chaînes de clavier, un Keyhelp Tool est également disponible sur notre site <http://www.mo-vis.com>.
- 8 Enregistrez les paramètres sur votre appareil.
- 9 Si vous voulez utiliser le HID Joystick...
 - sur votre PC : appuyez brièvement sur le bouton mode de l'interface HID pour passer en mode souris/clavier/joystick.
 - sur un autre dispositif, déconnectez le Joystick HID du PC et branchez-le sur un autre dispositif pris en charge. Votre appareil démarrera en mode souris/clavier/joystick.

Votre HID Joystick est maintenant prêt à être utilisé.

What to do next:

- Veuillez trouver le manuel complet du HID Joystick sur notre site web.
- Pour plus d'informations sur le logiciel Configurator, vous trouverez également le *Configurator Software User manual* sur notre site Web.

Utilisation prévue

Le HID Joystick :

- est un joystick à faible force.
- permet aux personnes dont la force musculaire et/ou les mouvements sont (très) limités d'utiliser des appareils tels que des ordinateurs et des manettes de jeu.
- peut être actionné par la main, les doigts, le menton et ses zones environnantes, ...
- est recommandé aux personnes atteintes de tétraplégie, de maladies (neuro)musculaires ou d'autres maladies avancées telles que la sclérose latérale amyotrophique (SLA) ou la sclérose en plaques (SEP).

Le Joystick HID est un périphérique d'interface utilisateur, ce qui signifie que cet appareil contient trois classes HID : la souris HID, le clavier HID et le joystick HID. Le Joystick HID se connecte par le biais d'un port USB à un PC, une console de jeu Xbox, un appareil Android ou tout autre dispositif hôte USB. Le joystick HID est également compatible avec les adaptateurs Bluetooth.

Le Configurator Software est une application de bureau Windows qui peut être utilisée pour programmer le Joystick HID afin de répondre au mieux aux préférences et aux besoins de l'utilisateur. Il est disponible au téléchargement depuis <http://www.mo-vis.com>.



ATTENTION: Le joystick a une très grande sensibilité. Une bonne coordination des mouvements et un bon contrôle de la force sont requis.

Instructions de sécurité

Responsabilité limitée

mo-vis n'est **nullement responsable** des blessures corporelles ou des dommages pouvant résulter du non-respect par l'utilisateur ou d'autres personnes des recommandations, avertissements et instructions repris dans ce manuel.



REMARQUE: Tous les manuels mo-vis sont disponibles sur le site <http://www.mo-vis.com> et peuvent être consultés au format PDF.



REMARQUE: En cas d'incident grave associé à cet appareil, signalez-le immédiatement à mo-vis et à l'autorité compétente de l'État membre dans lequel l'utilisateur est établi.

Avertissements et limitations



REMARQUE: Le joystick HID est uniquement destiné à des fins de divertissement et à des commandes d'appareils non critiques.



ATTENTION: Des périodes prolongées de mouvements répétitifs avec ce produit peuvent être à l'origine de lésions au niveau des nerfs, des muscles ou des tendons dans les mains, les poignets, les bras, les épaules, le cou ou le dos. Consultez un spécialiste en cas de douleur, d'engourdissement, de faiblesse, d'enflure, de brûlure, de crampes ou de raideurs.



REMARQUE: Faites des pauses régulières lorsque vous travaillez sur un ordinateur. Soyez attentif aux signes physiques de fatigue.



ATTENTION: Le Joystick HID, câblage intégré et interface compris, est considéré comme un élément ne nécessitant aucun entretien. En cas de doute sur des modifications ou des ajustements, contactez toujours mo-vis. N'ouvrez ni ne modifiez l'appareil vous-même.



REMARQUE: Ce produit est conforme aux valeurs limites de compatibilité électromagnétique (CEM) pour les fauteuils roulants électroniques, telles que définies dans les normes harmonisées de l'UE, règlement 2017/745 relatif aux dispositifs médicaux.

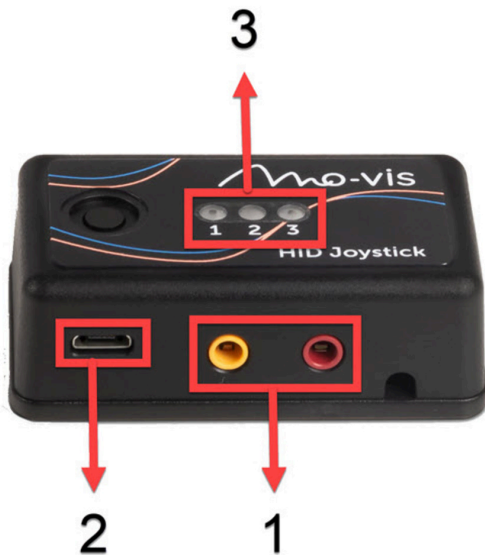


ATTENTION: Ce pack peut comporter des petites pièces qui présentent un risque d'étouffement en cas d'ingestion par des enfant de moins de 3 ans. Tenez les petites pièces à l'écart des enfants.

Fonctionnalités

Le Joystick HID est disponible en 2 versions :

- **Micro Joystick HID**
 - est un joystick proportionnel très sensible grâce à sa force d'actionnement (env. 8 g - 0,28 oz) et son rayon d'action réduits (3,3 mm - 0,13 po).
 - est conçu de façon ergonomique pour une manipulation facile. Par exemple : vous pouvez le laisser reposer dans la paume de votre main et le manipuler avec votre pouce.
 - est livré avec 2 embouts : petite boule et cupule. Utilisez l'embout qui vous offre le plus de confort et la plus grande efficacité d'utilisation.
- **Multi Joystick HID**
 - est un joystick proportionnel sensible, avec une amplitude (8 mm) et une force réduites (env. 50 g).
 - est construit dans un boîtier compact et discret et doté de deux prises jack de 3,5 mm pour contacteur d'entrée.
 - est fourni avec une boule comme embout.



Les deux joysticks disposent d'une interface séparée avec :

- 1 deux prises jack d'entrée stéréo pour les contacteurs. Grâce à deux câbles répartiteurs, vous pouvez relier jusqu'à quatre contacteurs mécaniques.

- 2 une connexion micro USB. Grâce à cette connexion, vous pouvez relier le Joystick HID au Configurator Software pour configurer le joystick et les contacteurs avec la souris, le clavier et les fonctions du joystick. Vous devez également le relier à votre ordinateur, votre tablette, votre console Xbox, etc.
- 3 Indicateurs LED qui indiquent le statut de l'appareil (y compris les erreurs).

Pièces et accessoires

Micro Joystick HID



Un pack Micro Joystick HID se compose des éléments suivants :

IMAGE	DESCRIPTION
	P002-50 - Micro Joystick sensor

IMAGE	DESCRIPTION
 A black cable with a micro joystick ball at the end. The cable is coiled and has a small, round, black joystick ball attached to the end. The ball has a small protrusion on its side. The cable ends in a small, multi-colored connector.	M006-08 - Micro Joystick ball

IMAGE**DESCRIPTION**

IMAGE**DESCRIPTION**

M006-09 - Micro Joystick cup



IMAGE	DESCRIPTION
 The image shows four black components of a micro joystick mounting set. At the top left is a circular ring with a threaded hole and a small metal nut. To its right is a small rectangular plate with a circular hole. Below these are two long, thin cylindrical rods of different lengths.	M006-20 - Micro Joystick mounting set
	M004-91 Q2M Rod 50 mm Threaded UNC 1/4x20

IMAGE	DESCRIPTION
	
	P025-51 HID Joystick Interface
	Câble de connexion USB A vers B PM CAB00031 - micro 1 m

Multi Joystick HID



Un pack Multi Joystick HID se compose des éléments suivants :

IMAGE	DESCRIPTION
	P002-60 - Multi Joystick Sensor



IMAGE	DESCRIPTION
	
	M002-05 - Multi Joystick ball
	M002-18 - Multi Joystick Mounting set



IMAGE	DESCRIPTION
	
	<p>M004-91 Q2M Rod 50 mm Threaded UNC 1/4x20</p>
	<p>P025-51 HID Joystick Interface</p>

IMAGE	DESCRIPTION
	
	Câble de connexion USB A vers B PM CAB00031 - micro 1 m

Pièces de rechange

Les pièces de rechange et les accessoires doivent être commandés par le revendeur auprès de mo-vis bv.

Mentionnez toujours le code de produit de l'élément souhaité.

Fonctionnement

Joystick

Le joystick est proportionnel, ce qui signifie qu'une déviation du joystick est directement liée au mouvement : plus vous éloignez le joystick du centre, plus rapide sera l'action.

Contacteurs

Si vous utilisez un ou deux contacteurs :



Yellow Tip Red Tip

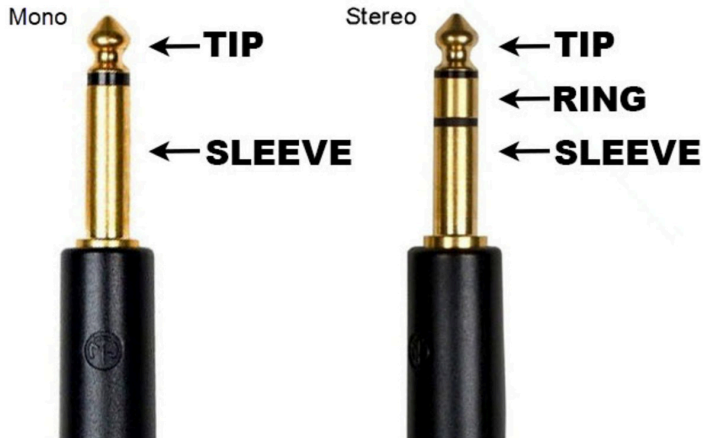
- Vous pouvez utiliser un contacteur de la gamme Twister de mo-vis, mais n'importe quel contacteur doté d'une connexion jack mono de 3,5 mm devrait être compatible.
- Vous pouvez également utiliser une connexion jack stéréo de 3,5 mm, mais il vous faudra exclure l'anneau jaune ou rouge de Configurator

Software.

Si vous souhaitez utiliser trois ou quatre contacteurs, vous aurez besoin de 1 ou deux câbles répartiteurs. Vous pouvez alors utiliser un connecteur de la gamme Twister de mo-vis, ou tout autre contacteur doté d'une connexion jack stéréo de 3,5 mm.



Yellow Tip Yellow Ring



Avec un Multi Joystick HID, il est possible d'insérer les fiches jack dans le boîtier du joystick (par exemple, utile lorsque cette manette est actionnée avec le menton et que les contacteurs sont placés à proximité).




REMARQUE: Les fiches jack dans le boîtier sont une duplication des fiches jack de l'interface, et non pas des fiches additionnelles.

Contacteur de mode et voyants LED

Il existe un contacteur de mode sur le boîtier d'interface pour basculer entre le mode de travail et le mode de configuration.



- Appuyer moins de 5 s : changer le jeu de configuration
- Appuyer plus de 5 s, moins de 10 : passer au mode de configuration
- Appuyer plus de 10 s : réinitialisation du logiciel

DESCRIPTION	LED 1	LED 2	LED 3
Jeu de configuration 1 actif	MARCHE	ARRÊT	ARRÊT
Jeu de configuration 2 actif	ARRÊT	MARCHE	ARRÊT
Jeu de configuration 3 actif	ARRÊT	ARRÊT	MARCHE
Chargeur de démarrage actif	MARCHE	MARCHE	MARCHE
Mode de configuration	CLIGNOTEMENT CONTINU		
Erreur	ARRÊT	CLIGNOTE- MENT	ARRÊT
<div style="background-color: #e0e0e0; padding: 10px; border-radius: 10px;">  REMARQUE: Le nombre de clignotements peut être relié aux codes d'erreur </div>			

Installation

Préparations



ATTENTION: Avant de commencer l'installation :

- Veuillez vérifier l'emballage et vous assurer que tous les éléments

sont inclus.

- Assurez-vous de disposer des connaissances et de la documentation nécessaires pour installer cet appareil.
- Vérifiez l'état de l'appareil.

Outils

Utilisez une clé Allen pour installer l'appareil.



ATTENTION: Utilisez les outils adéquats pour installer l'appareil et le régler. L'utilisation d'outils inappropriés peut endommager l'appareil.

Plan d'installation

Établissez un plan d'installation avant de procéder à l'installation. En fonction des besoins et des capacités de l'utilisateur, ce plan doit tenir compte des points suivants :

- L'emplacement auquel chaque élément de l'appareil doit être monté.
- La manière dont l'appareil doit fonctionner.
- Un positionnement robuste et fiable. Des mouvements brusques ou soudains du fauteuil roulant ne peuvent pas dérégler l'installation.



AVERTISSEMENT: Protégez l'appareil contre les chocs. Évitez d'endommager l'unité et le câblage. Assurez-vous que le câblage est monté de façon à éviter toute usure excessive.



ATTENTION: Avant d'insérer un connecteur, retirez le cache. Si les connexions ne sont pas utilisées, placez ou conservez toujours les caches.



ATTENTION: Il s'agit d'un dispositif médical de classe I (*MDR 2017/745*). Tous les accessoires, y compris les contacteurs, doivent également être conformes aux règlements *MDR 2017/745* (par exemple, le *Twister* de mo-vis, testé conformément aux normes *EN12184*).



ATTENTION: Le joystick HID est destiné à une utilisation en extérieur. Protégez le boîtier d'interface contre l'eau.



ATTENTION: Une mauvaise utilisation ou installation peut causer des blessures à l'utilisateur et endommager le produit.

Installation du Micro Joystick HID

- 1 Déterminez la position du joystick.

Une flèche située en bas du Micro Joystick indique la direction « nord » par défaut. Il est toutefois possible de l'ajuster avec le logiciel Configurator.

- 2 Placez la bague de montage autour du boîtier du joystick.
- 3 Serrez la demi-noix Q2M sur la bague de montage.

Utilisez une clé Allen pour monter le boulon de 20 mm.



REMARQUE: Cela n'est pas conseillé, mais vous pouvez monter le joystick sans utiliser la demi-noix de Q2M.



ATTENTION: Serrez bien les vis, mais sans excès. Une force excessive peut endommager l'unité.

- 4 Glissez l'unité sur une Q2M rod ou la Q2M Rod ¼" de 50 mm fileté UNC 1/4x20 ou toute autre tige de 6 mm, afin de positionner le Micro Joystick HID.
- 5 Placez l'unité d'interface et le câblage sur l'emplacement désiré et fixez-les.
- 6 En cas de besoin, placez jusqu'à quatre contacteurs (via les câbles répartiteurs), fixez leur câblage et effectuez les branchements.

Installation du Multi Joystick HID

- 1 Déterminez la position du joystick.

Lorsque vous maintenez le joystick en face de vous, avec les connecteurs jack sur le côté droit de votre point de vue, un mouvement vers l'avant de la manette est le « nord » par défaut. Il est toutefois possible de l'ajuster avec le logiciel Configurator.

- 2 Déterminez laquelle des trois fentes vous voulez utiliser pour guider le câble.
- 3 Fixez la plaque de montage sur la base du boîtier du joystick à l'aide des quatre vis.



- 4 Placez la demi-noix Q2M au bas de l'unité. Utilisez une clé Allen pour monter le boulon de 14 mm.





REMARQUE: Cela n'est pas conseillé, mais vous pouvez monter le joystick sans utiliser la demi-noix de Q2M.

- 5 Glissez l'unité sur une Q2M rod ou la Q2M Rod ¼" de 50 mm fileté UNC ou toute autre tige de 6 mm, afin de positionner le Multi Joystick HID.
- 6 Placez l'unité d'interface et le câblage sur l'emplacement désiré et fixez-les.
- 7 En cas de besoin, placez jusqu'à quatre contacteurs (via les câbles répartiteurs), fixez leur câblage et effectuez les branchements.

Configuration

Téléchargement du logiciel

- Vous pouvez télécharger Configurator Software sur notre site Web <http://www.mo-vis.com>
- Exigences logicielles : Windows 10
- Pour obtenir des détails sur l'installation et l'utilisation du logiciel, nous vous renvoyons au *Manuel de Configurator Software*.
- Pour configurer les paramètres de l'appareil, vous devez disposer d'un accès de niveau revendeur. Ce niveau est protégé par mot de passe. Contactez mo-vis pour obtenir le mot de passe.

Keyhelp Tool

Un Keyhelp Tool est également disponible sur notre site. Téléchargez et installez l'outil d'aide à la génération de chaînes de clavier.

Configuration des paramètres

- 1 Raccordez le Joystick HID à un ordinateur. Utilisez un câble standard micro USB - USB A.
- 2 Ouvrez le Configurator en **mode Administrateur**. Cela raccourcira le temps nécessaire au chargement de tous les paramètres (30 s - 2 min).
- 3 Poussez et maintenez enfoncé le contacteur de mode sur l'interface pendant 5 secondes pour entrer dans le mode de configuration du Joystick HID. Patientez jusqu'au chargement de tous les paramètres.



REMARQUE: Le Joystick HID lui-même ne peut pas être utilisé pour programmer l'appareil.

- 4 Configurez les paramètres à l'aide du logiciel ou chargez un ensemble de paramètres pré-configurés sur l'appareil.
- 5 Enregistrez la configuration sur l'appareil.
- 6 Testez la configuration et effectuez les réglages nécessaires.

Paramètres



REMARQUE: Pour une meilleure compréhension, les modes sont expliqués séparément ci-dessous. Cependant, un jeu de configuration comprend des actions de différents modes.

Mode de souris

Les paramètres tels que **Mouvement dpi**, **Défilement dpi**, **Temps répétition** et **Accélération** sont pertinents pour ce mode. Voir [Paramètres globaux on page 201](#) .

Mode de clavier

Un large nombre de chaînes de clavier peuvent être configurées. Une action de joystick et de contacteur peut envoyer une chaîne de clavier.

Un chaîne de clavier est valide lorsqu'elle contient 2 hex, séparés par un espace. Le premier hex est un modificateur, le second un code de touche. Quand le modificateur est 0x00, cela ne modifie pas la touche.



REMARQUE: Les touches sont basées sur un clavier QWERTY. Si vous utilisez une autre configuration de clavier, vous devrez insérer la touche équivalente de cet emplacement physique.

Exemple :

- 0x00 (pas de modification) 0x05 (touche b et B) = b

- 0x04 (alt gauche) 0x05 (touche b et B) = B

Liste des modificateurs :

HEX	DESCRIPTION
0x00	No modification
0x01	Ctrl gauche
0x02	Maj gauche
0x03	Ctrl gauche ET Maj gauche
0x04	Alt gauche
0x05	Ctrl gauche ET ALT gauche
0x08	Modificateur WIN gauche
0x10	Ctrl droite
0x20	Maj droite
0x40	Alt droite
0x80	Right Win modifier

Liste des touches

HEX	DESCRIPTION
0x04	Clavier a et A
0x28	ENTRÉE/RETOUR
0x29	ÉCHAP
0x2a	SUPPR./Retour arrière
0x2b	TAB
0x2c	Barre d'espace
...	...

Pour une utilisation plus facile, vous pouvez télécharger le Keyhelp Tool depuis notre site ou trouver une liste complète des touches et des modificateurs : <http://www.mo-vis.com>.

Si vous souhaitez qu'une certaine chaîne de clavier soit répétée, choisissez **Chaîne-maintien clavier** comme action de poussée du joystick ou toute action du contacteur.




REMARQUE: Cela fonctionne comme un clavier standard. Cela signifie qu'il est important de se rappeler quelle touche est enfoncée, car elle restera active jusqu'à ce que vous désactiviez **Chaîne-maintien clavier** (effectuez la même action).



Mode de joystick


Pas d'information supplémentaire.

Paramètres globaux


Paramètres globaux

RÉGLAGE	DESCRIPTION	PARAMÈTRES	
Vitesse de déplacement	Sélectionnez les vitesses de déplacement de la souris (points par pouce) : plus cette valeur est élevée, plus le curseur se déplacera rapidement.  REMARQUE: Cela n'est pertinent que lorsqu'une action de déplacement de la souris est configurée.	Par défaut	10
		Min.	1
		Max.	127
		Étape	1
Vitesse de défilement	Lorsque vous déplacez une molette de défilement sur une souris standard, vous pouvez ressentir un petit clic. La valeur de ce paramètre représente un tel clic. Plus cette valeur est élevée, plus vite vous défilerez horizontalement ou verti-	Par défaut	10
		Min.	1
		Max.	127
		Étape	1

RÉGLAGE	DESCRIPTION	PARAMÈTRES	
	<p>calement.</p> <div data-bbox="249 185 653 516">  REMARQUE: Pour un défilement contrôlé (par exemple, l'inventaire d'un jeu ou le défilement lent d'un document), ne le placez pas sous une action directe, mais plutôt sous une action de poussée du joystick ou une presse courte/moyenne/longue sur un contacteur. </div> <div data-bbox="249 538 653 689">  REMARQUE: Cela n'est pertinent que lorsqu'une action de défilement de la souris est configurée. </div>		
Défilement temps répétit	Ce paramètre n'est pertinent que lorsqu'une action de <u>défilement</u> de la souris est configurée. Faire défiler une molette de souris sur une souris standard est un événement déclenché unique. Si l'action de défilement est mappée comme	Par défaut	50 ms
		Min.	50 ms
		Max.	10 000 ms
		Étape	50 ms

RÉGLAGE	DESCRIPTION	PARAMÈTRES	
	<p>une action directe du joystick, elle devient un événement répété. Cette valeur indique la durée de répétition de l'événement (défilement).</p> <div style="border: 1px solid #ccc; background-color: #f9f9f9; padding: 10px; margin-top: 10px;"> <p> REMARQUE: Cela n'est pertinent que lorsqu'une action de défilement de la souris est configurée.</p> </div>		
Accélération	<p>Ce paramètre est pertinent lorsqu'une action de la souris est configurée comme action directe ET action de poussée du joystick. L'action directe sera bloquée jusqu'à ce que la minuterie de l'action de poussée ait expiré. Après l'expiration de la temporisation, la souris se déplacera soudainement. Pour donner à l'utilisateur plus de contrôle sur ce mouvement de la souris, la vitesse du mouvement s'accélère de zéro à la valeur maximale de la vitesse de déplacement. La vitesse de cette accélération est déterminée par ce paramètre.</p>	Par défaut	50 %
		Min.	10 %
		Max.	100 %
		Étape	10 %

Commentaires auditifs

RÉGLAGE	DESCRIPTION	PARAMÈTRES	
Minuterie moyenne	Bip lorsque la courte minuterie de l'action du contacteur est expirée	Par défaut	Bip court
		Autre	Aucun
Minuterie longue	Bip lorsque la minuterie moyenne de l'action du contacteur a expiré	Par défaut	Bip long
		Autre	Aucun
Config set	Bip lors du passage à un autre config set	Par défaut	Nombre de bip
		Autre	Aucun
Volume	 REMARQUE: Ce paramètre est pertinent uniquement quand les paramètres de retour sonore ont un bip configuré.	Par défaut	100 %
		Min.	0 %
		Max.	100 %
		Étape	1 %

Contacteurs



REMARQUE: Bien que le nombre maximal de contacteurs soit de 4, il est possible de programmer jusqu'à 12 actions avec les contacteurs. Les contacteurs peuvent soit réaliser une **action directe** ou vous pouvez distinguer une **pression courte/moyenne/longue**.

RÉGLAGE	DESCRIPTION	PARAMÈTRES	
Minuterie courte	Uniquement pertinent si vous choisissez une pression courte / moyenne / longue plutôt qu'une action directe. Si le contacteur est enfoncé pendant une durée inférieure à la minuterie courte, l'action de pression courte sera exécutée.	Par défaut	1 000 ms
		Min.	0 ms
		Max.	10 000 ms
		Étape	100 ms
Minuterie longue	Si le contacteur est enfoncé pendant une durée plus longue que la minuterie courte, mais plus courte que la minuterie longue, l'action de pression moyenne sera exécutée. Si le contacteur est enfoncé pendant un temps plus long que la minuterie longue, l'action de pression longue	Par défaut	2 000 ms
		Min.	0 ms
		Max.	10 000 ms
		Étape	100 ms

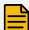
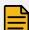
RÉGLAGE	DESCRIPTION	PARAMÈTRES	
	sera exécutée.		
Minuterie anti-rebond	Le contacteur doit être enfoncé plus longtemps que la minuterie anti-rebond, avant qu'il ne soit considéré comme une entrée. Il peut être utile d'augmenter cette minuterie au cas où l'utilisateur aurait un tremblement, par exemple.	Min.	20 ms
		Max.	100 ms
		Étape	10 ms

Joystick d'entrée



REMARQUE: Le joystick peut distinguer une action directe d'une action de poussée.


RÉGLAGE	DESCRIPTION	PARAMÈTRES	
Seuil (Threshold)	Le seuil (Threshold) est utilisé lorsque le joystick est configuré comme interrupteur. Lorsque le joystick est dévié au-delà du seuil, le système considérera cela comme une pression sur une touche. Lorsque le joystick est à nouveau en dessous du seuil, le système considérera cela comme une libération de la touche.	Par défaut	50
		Min.	30
		Max.	70
		Étape	1

RÉGLAGE	DESCRIPTION	PARAMÈTRES	
	ère qu'il s'agit d'un relâchement de touche.		
Minuterie coup de pouce	<p>Le minuteur de décalage définit le temps qui sera utilisé pour détecter une action de poussée du joystick. Le minuteur de l'action de poussée démarre lorsque le joystick est dévié au-delà du seuil et s'arrête lorsqu'il est à nouveau sous le seuil.</p> <div style="border: 1px solid #ccc; border-radius: 10px; padding: 10px; margin: 10px 0;"> <p> REMARQUE: Lorsque la valeur est 0, aucune action de poussée n'est possible.</p> </div> <div style="border: 1px solid #ccc; border-radius: 10px; padding: 10px; margin: 10px 0;"> <p> REMARQUE: La sortie de l'action directe est bloquée tant que cette minuterie est active.</p> </div>	Par défaut	1 000
		Min.	0
		Max.	50 000
		Étape	100
Zone morte	Vous pouvez régler la zone morte ou la zone neutre autour du centre du joystick où le mouvement n'est pas considéré comme une entrée.	Par défaut	10 %
		Min.	0

RÉGLAGE	DESCRIPTION	PARAMÈTRES	
		Max.	15
		Étape	1


Divers

RÉGLAGE	DESCRIPTION	PARAMÈTRES	
Filtre d'entrée	Si vous réglez cette option sur Blocs d'axes diagonaux , seuls les mouvements vers le nord, le sud, l'est et l'ouest sont reconnus. Cela peut être utile pour les personnes qui ne peuvent pas manipuler le joystick de manière très précise.	Par défaut	Aucun
		Autre	Blocs d'axes diagonaux
Huit axes du clavier	Par défaut, vous ne pouvez pas combiner les axes du clavier. Par exemple, si vous voulez utiliser les touches fléchées HAUT et ensuite GAUCHE, vous devez revenir au centre à chaque fois. Cependant, vous pouvez activer huit axes du clavier. De cette façon, vous pouvez activer les touches HAUT et GAUCHE en	Par défaut	Off (arrêt)
		Autre	On (marche)

RÉGLAGE	DESCRIPTION	PARAMÈTRES
	<p>même temps.</p> <div data-bbox="256 185 653 426" style="border: 1px solid #ccc; padding: 10px; background-color: #f9f9f9;"> <p> REMARQUE: Assurez-vous que les actions de poussée dans le jeu de configuration actif sont toutes réglées sur Aucun et que toutes les actions directes sont réglées sur Chaîne de clavier.</p> </div>	

Jeux de configuration

Il est possible de configurer 3 configurations différentes dans le Joystick HID. L'utilisateur peut facilement basculer entre les différents jeux de configuration, en mappant cette fonction à une action du joystick ou d'un contacteur. Les config set sont indiqués par des voyants LED sur l'interface (1 voyant LED vert = config set 1, etc.) et un retour sonore facultatif.


 **REMARQUE:** Si l'utilisateur exécute une action (par exemple, un clic gauche de la souris) et qu'il passe à un autre jeu de configuration à ce moment-là, l'action sera interrompue.

Paramètres du joystick


Pour chaque direction du joystick, des actions différentes peuvent être assignées. Soit une action de poussée ou un mouvement complet.


- Nord = avant
- Est = droite
- Sud = arrière
- Ouest = gauche

Voir [Installation du Micro Joystick HID on page 191](#) et [Installation du Multi Joystick HID on page 192](#) pour connaître la position nord par défaut.

RÉGLAGE	DESCRIPTION	PARAMÈTRES	
Action - direct	<p>L'action est activée à partir du moment où la touche est enfoncée jusqu'à ce que la touche soit relâchée.</p> <div data-bbox="239 673 629 857"> REMARQUE: La sortie de l'action directe est bloquée tant que la minuterie de l'action de poussée est active.</div>	Options	<ul style="list-style-type: none">• Aucune• Clic gauche de la souris• Clic droit de la souris• Défilement de la souris N - E - S - O

RÉGLAGE	DESCRIPTION	PARAMÈTRES	
			<ul style="list-style-type: none"> • Déplacement de la souris N - E - S - O • Joystick contacteur 1 - 8 • Chaîne de
Action - poussée	Toutes les différentes actions peuvent être assignées à une action de poussée du joystick.	Options	<ul style="list-style-type: none"> • Aucune • Clic gauche de la souris • Clic droit de la souris • Clic du milieu de souris • Clic gauche de la souris & maintenir • Double

RÉGLAGE	DESCRIPTION	PARAMÈTRES
		<ul style="list-style-type: none"> clik gauche souris • Défilement de la souris N - E - S - O • Config set 1 - 2 - 3 • Joystick contacteur 1 - 8 • Chaîne de clavier • Chaîne-maintien
Chaîne de clavier - direct	<p>Active uniquement quand la valeur Chaîne de clavier est sélectionnée pour Action - direct.</p> <div style="background-color: #f0f0f0; padding: 10px; border-radius: 5px; margin-top: 10px;">  REMARQUE: Cette action envoie les caractères tant que l'action est active. </div>	Voir Mode de clavier on page 198 pour en savoir plus.
Chaîne de	Active uniquement quand la valeur	Voir Mode de clavier on

RÉGLAGE	DESCRIPTION	PARAMÈTRES
clavier - poussée	<p>Chaîne de clavier est sélectionnée pour Action - poussée.</p> <div style="border: 1px solid #ccc; border-radius: 10px; padding: 10px; background-color: #f0f0f0; margin-top: 10px;">  REMARQUE: Cette action envoie un seul caractères. </div>	<p>page 198 pour en savoir plus.</p>

Paramètres de contacteur

Les contacteurs peuvent soit réaliser une **action directe** ou vous pouvez distinguer une **pression courte/moyenne/longue**.

Voir [Contacteurs on page 184](#) pour en savoir plus.

RÉGLAGE	DESCRIPTION	PARAMÈTRES	
Action - direct	L'action est activée à partir du moment où le contacteur est enfoncé.	Options	<ul style="list-style-type: none"> • Aucune • Clic gauche de la souris • Clic droit de la souris • Clic du milieu de souris

RÉGLAGE	DESCRIPTION	PARAMÈTRES	
			<ul style="list-style-type: none"> • Clic gauche de la souris & maintenir • Double clic gauche souris • Défilement de la souris N - E - S - O • Config set 1 - 2 - 3 • Joystick contacteur 1 - 8 • Chaîne de clavier • Chaîne-maintien
Presse courte/moyenne	L'action est activée à partir du moment où le contacteur est relâché.	Options	<ul style="list-style-type: none"> • Aucune • Clic gauche de

RÉGLAGE	DESCRIPTION	PARAMÈTRES
/longue		<ul style="list-style-type: none"> la souris • Clic droit de la souris • Clic du milieu de souris • Clic gauche de la souris & maintenir • Double clic gauche souris • Défilement de la souris N - E - S - O • Config set 1 - 2 - 3 • Joystick contacteur 1 - 8 • Chaîne de

RÉGLAGE	DESCRIPTION	PARAMÈTRES
		clavier <ul style="list-style-type: none"> • Chaîne-maintien
Chaîne de clavier - direct + presse courte/moyenne/longue	Entrer le modificateur et le code de touche	Voir Mode de clavier on page 198 pour en savoir plus.

Plateformes prises en charge

Le joystick HID est pris en charge par les plateformes suivantes :

- [Windows on page 217](#)
- [OSX on page 218](#)
- [Android on page 220](#)
- [iOS on page 222](#)
- [Xbox/XAC on page 226](#)

Windows

La Joystick HID a été développé pour Windows 10. Le câble USB du Joystick HID peut être branché sur un port libre de l'ordinateur.

Clavier

Voir [Mode de clavier on page 198](#) .

Souris

Quelques exemples des actions de la souris prises en charge par Windows :

TOUCHE	DESCRIPTION
Déplacement vers le nord/est/sud/ouest	Le curseur se déplace vers le haut/bas/gauche/droite
Défilement vers le nord/est/sud/ouest	Défilement sur la page ou le document vers le haut/bas/gauche/droite
Clic gauche de la souris	Sélectionner
Clic du milieu de souris	Double clic
Clic droit de la souris	Menu clic droit

TOUCHE	DESCRIPTION
Clic gauche de la souris & maintenir	Sélectionner et maintenir
Double clic gauche souris	Ouvrir fichier



REMARQUE: Le contacteur central de la souris n'est pas une action prise en charge par défaut. Il est pris en charge, cependant, par Firefox : cliquer sur un onglet dans Firefox au moyen du contacteur central de la souris permet de fermer l'onglet.

Joystick

Les actions du joystick peuvent être testées dans Game Controller Tester de Windows.

Sous Windows : **Configurer les contrôleurs de jeu USB > Propriétés > Test.**

Ce menu affiche un axe et 8 contacteurs. Si un contacteur est enfoncé, il est mis en évidence. Si un axe est modifié, le réticule change.

OSX

Le câble USB du Joystick HID peut être branché sur un port libre de l'ordinateur.

Clavier

Voir [Mode de clavier on page 198](#) .

Souris

Les actions de la souris suivantes peuvent être configurées :

TOUCHE	DESCRIPTION
Déplacement vers le haut/bas/ gauche/droite	Le curseur se déplace vers le haut/ bas/gauche/droite
Défilement vers le haut/bas	Défilement vers le haut/bas (par exemple, sur un site avec beaucoup de contenu)
Défilement vers la gauche/droite	Défilement horizontal (par exemple, dans un livre)
Clic gauche du contacteur	Sélectionner
Clic du milieu du contacteur	Double clic
Clic droit du contacteur	Menu clic droit

Joystick

Les actions du joystick sont prises en charge par le système d'exploitation.

Android

Le câble USB du Joystick HID peut être branché sur un téléphone ou une tablette sous Android par le biais d'un câble USB OTG. Après quelques secondes, le téléphone ou la tablette devrait reconnaître le Joystick HID.

Clavier

Vous pouvez utiliser le mode de clavier pour parcourir votre appareil Android avec les raccourcis clavier (voir le tableau ci-dessous). Il s'agit d'une liste limitative. Cependant, une application Android existe, External Keyboard Helper, qui vous permet de créer des raccourcis clavier personnalisés.

DESCRIPTION	CHAÎNE DE CLAVIER
Naviguer vers le haut	KEY_UP 0x00 0x52
Naviguer vers le bas	KEY_DOWN 0x00 0x51
Naviguer vers la gauche	KEY_LEFT 0x00 0x50
Naviguer vers la droite	KEY_RIGHT 0x00 0x4f
Ouvrir sélection	KEY_ENTER 0x00 0x28
Revenir en arrière	KEY_ESC 0x00 0x29
Retirer un caractère	KEY_BACKSPACE 0x00 0x2a
Basculer entre les tâches	MOD_LALT + KEY_TAB 0x04 0x2b

DESCRIPTION	CHAÎNE DE CLAVIER
Ouvrir navigateur	MOD_LMETA + KEY_B 0x08 0x05
Couper	MOD_LCTRL + KEY_X 0x01 0x1b
Copier	MOD_LCTRL + KEY_C 0x01 0x06
Coller	MOD_LCTRL + KEY_V 0x01 0x19
Fenêtre suivante	KEY_TAB 0x00 0x2b
Sélectionner texte vers le haut	MOD_LSHIFT + KEY_UP 0x02 0x52
Sélectionner texte vers le bas	MOD_LSHIFT + KEY_DOWN 0x02 0x51
Sélectionner texte vers la droite	MOD_LSHIFT + KEY_RIGHT 0x02 0x50
Sélectionner texte vers la gauche	MOD_LSHIFT + KEY_LEFT 0x02 0x4f
Supprimer	KEY_DELETE 0x00 0x4c

Souris

Les actions de la souris suivantes peuvent être configurées :

TOUCHE	DESCRIPTION
Déplacement vers le haut/bas/	Le curseur se déplace vers le haut/

TOUCHE	DESCRIPTION
gauche/droite	bas/gauche/droite
Défilement vers le haut/bas	Défilement vers le haut/bas
Clic gauche du contacteur	Sélectionner
Clic du milieu du contacteur	Revenir au menu d'accueil
Clic droit du contacteur	Revenir au menu précédent
Double clic gauche du contacteur	Ouvrir appli

Joystick

Nous prenons en charge 8 contacteurs qui peuvent être mappés par jeu.



REMARQUE: Pour tester la fonction, vous pouvez installer l'appli Android gratuite Game controller keymapper d'AnkitChowdhury. Elle vous permet de visualiser les axes et les codes de touche.

iOS

Le câble USB du Joystick HID peut être branché sur un iPad ou un iPhone par le biais d'un câble d'adaptateur Apple lightning vers USB. Après quelques secondes, le téléphone ou la tablette devrait reconnaître le Joystick HID.

Clavier

Vous pouvez utiliser le clavier pour parcourir l'iOS avec les raccourcis clavier :

DESCRIPTION	CHAÎNE DE CLAVIER
Naviguer vers le haut	KEY_UP 0x00 0x52
Naviguer vers le bas	KEY_DOWN 0x00 0x51
Naviguer vers la gauche	KEY_LEFT 0x00 0x50
Naviguer vers la droite	KEY_RIGHT 0x00 0x4f
Ouvrir sélection	KEY_SPACE 0x00 0x2c
Aller à l'accueil	MOD_LMETA + KEY_H 0x08 0x0b
Retirer un caractère	KEY_BACKSPACE 0x00 0x2a
Basculer entre les tâches	MOD_LALT + KEY_TAB 0x04 0x2b
Couper	MOD_LCTRL + KEY_X 0x01 0x1b
Copier	MOD_LCTRL + KEY_C 0x01 0x06
Coller	MOD_LCTRL + KEY_V 0x01 0x19
Fenêtre suivante	KEY_TAB 0x00 0x2b
Sélectionner texte vers le haut	MOD_LSHIFT + KEY_UP 0x02 0x52

DESCRIPTION	CHAÎNE DE CLAVIER
Sélectionner texte vers le bas	MOD_LSHIFT + KEY_DOWN 0x02 0x51
Sélectionner texte vers la droite	MOD_LSHIFT + KEY_RIGHT 0x02 0x50
Sélectionner texte vers la gauche	MOD_LSHIFT + KEY_LEFT 0x02 0x4f
Supprimer	KEY_DELETE 0x00 0x4c



REMARQUE: Pour créer des raccourcis personnalisés dans iOS : **Paramètres > Accessibilité > Claviers > Accès complet au clavier > Activer.** Allez à **Commandes** : touchez une commande, puis appuyez sur une touche personnalisée pour l'assigner et cliquez sur **Terminer**.



REMARQUE: Pour changer la disposition du clavier dans iOS : **Paramètres > Général > Clavier > Claviers** : gardez le doigt sur le clavier et sélectionnez **QWERTY/AZERTY/QWERTZ**

Souris

Configuration des contacteurs de la souris :

Paramètres > Accessibilité > Toucher > AssistiveTouch > Activer AssistiveTouch

Raccordez le Joystick HID à l'iAppareil au moyen du câble lightning.

Touchez **Appareils > Joysti. Hid Int > Personnaliser des contacteurs supplémentaires** :

- Configurez le contacteur 1 comme **Touche simple**.
- Configurez le contacteur 2 comme **Clic secondaire**.
- Configurez le contacteur 3 comme **Accueil**.

Les actions de la souris suivantes peuvent être configurées :

TOUCHE	DESCRIPTION
Déplacement vers le haut/bas/ gauche/droite	Le curseur se déplace vers le haut/ bas/gauche/droite
Défilement vers le haut/bas	Défilement vers le haut/bas
Clic gauche du contacteur	Sélectionner
Clic du milieu du contacteur	Revenir au menu d'accueil
Clic droit du contacteur	Revenir au menu d'accueil

Joystick

Non pris en charge sous iOS.

Xbox/XAC



REMARQUE: La Xbox prend en charge l'utilisation de la souris et du clavier dans certains jeux et applications, mais cela ne fonctionne pas pour tous les contenus. Le jeu ou l'appli publiée doit permettre cette fonction pour leur contenu. Sinon, vous pouvez utiliser l'Adaptative controller de la Xbox pour jouer au jeux non pris en charge.

Consultez le manuel de votre Xbox pour en savoir plus sur comment raccorder un appareil USB à votre Xbox.

Clavier

Vous pouvez utiliser le clavier pour parcourir le menu de votre Xbox au moyen de raccourcis clavier :

CHAÎNE DE CLAVIER	DESCRIPTION
KEY_UP – 0x00 0x52	Naviguer vers le haut
KEY_DOWN - 0x00 0x51	Naviguer vers le bas
KEY_LEFT - 0x00 0x50	Naviguer vers la gauche
KEY_RIGHT - 0x00 0x4f	Naviguer vers la droite
MOD_LMETA + KEY_LEFTMETA – 0x08 0xe3	Ouvrir le guide

CHAÎNE DE CLAVIER	DESCRIPTION
KEY_ENTER 0x00 0x28	Sélectionner
KEY_SPACE 0x00 0x2x	Sélectionner
KEY_ESC 0x00 0x29	Retour
MOD_LMETA + KEY_BACKSPACE 0x08 0x2a	Retour
KEY_TAB 0x00 0x2b	Passer à la vignette suivante
MOD_LSHIFT + KEY_TAB 0x02 0x2b	Passer à la vignette précédente
MOD_LMETA + KEY_M 0x08 0x10	Ouvrir menu
MOD_LMETA + KEY_V 0x08 0x19	Changer la vue
KEY_Y 0x00 0x1c	Ouvrir rechercher

Souris



REMARQUE: Les souris USB filaires ne fonctionneront que dans certains jeux et applications qui ont activé la navigation à la souris. Vérifiez que votre jeu propose une assistante pour la souris.

Configuration de votre souris :

- 1 Appuyez sur la touche Xbox de votre contrôleur pour ouvrir le guide.

- 2 Sélectionnez **Profils et système > Paramètres > Appareils et diffusion en continu**.
- 3 Sélectionnez **Souris**. Vous verrez des options pour la vitesse du pointeur et pour permuter les contacteurs primaires et secondaires de la souris.



REMARQUE: Vous ne pouvez pas utiliser une souris sur l'**Accueil** ou dans l'interface utilisateur de la Xbox lorsque vous parcourez le tableau de bord.



REMARQUE: Vous devez utiliser votre contrôleur pour configurer votre souris. **Paramètres** ne prend pas en charge l'interaction avec la souris.



REMARQUE: Une souris ne fonctionnera pas avec Microsoft Edge, qui dispose déjà d'un curseur à l'écran.

Xbox Adaptive Controller (XAC)

Le Joystick HID est compatible avec le XAC. Le XAC est principalement conçu pour répondre aux besoins des joueurs à mobilité réduite et constitue un hub unifié pour les appareils qui contribuent à rendre le jeu plus accessible.

Raccordez le câble USB du Joystick HID au XAC et utilisez le Joystick HID en mode joystick.

Le XAC présente deux ports USB : le port USB gauche remplace la manette gauche et le port USB droit la manette droite.



REMARQUE: D'autres appareils HID comme la souris ou le clavier ne sont pas pris en charge par le XAC, alors assurez-vous que votre Joystick HID est configuré sur le bon mode de configuration.

Le XAC mappera automatiquement les contacteurs du joystick.

CONTACTEUR DE JOYSTICK	PORT USB GAUCHE	PORT USB DROIT
Contacteur 1	X1	Vue
Contacteur 2	X2	Menu
Contacteur 3	ManetteG	ManetteD
Contacteur 4	GâchetteG	GâchetteD
Contacteur 5	A	X
Contacteur 6	B	O
Contacteur 7	Vue	X1
Contacteur 8	Menu	X2



REMARQUE: Si les contacteurs sont reconfigurés à l'aide de l'appli Accessoires de la Xbox, les nouvelles configurations seront appliquées également aux contacteurs USB du Joystick HID.

Les actions peuvent être testées sur la Xbox One.

Téléchargez et installez l'application gratuite Game controller tester depuis le Microsoft Store. Ouvrez l'appli et sélectionnez Xbox adaptive controller comme contrôleur à tester. Appuyez sur les contacteurs et déplacez le joystick. Les contacteurs respectifs s'allument et l'axe se déplace dans la direction demandée.

Première utilisation

Lors de la première utilisation, il est conseillé à l'utilisateur et/ou à son accompagnateur de lire attentivement ce manuel.

Il est important que l'utilisateur soit pleinement conscient de l'installation, de la manière de l'utiliser et de ce qui peut être réglé pour optimiser son expérience.

- 1 Lisez attentivement le manuel et assurez-vous que vous comprenez la fonction de chaque action et contacteur du joystick.
- 2 Vérifiez que le joystick, le boîtier, le câblage et tous les connecteurs ne sont pas endommagés.
- 3 Testez toutes les positions du joystick HID.
 - Est-ce que le joystick et les contacteurs sont facilement accessibles ?
 - L'utilisateur peut-il manipuler le appareil en toute sécurité avec le moins d'efforts possible ?
 - Est-ce que le placement du joystick et des contacteurs est optimal

pour l'utilisateur dans toutes les positions disponibles ?

- Le joystick revient-il à sa position par défaut lorsqu'il est déplacé et relâché vers l'avant, l'arrière, la gauche et la droite ?
- 4 En cas de besoin, ajustez le Joystick HID.
 - 5 Assurez-vous de bien comprendre les problèmes éventuels et la manière de les résoudre.

Entretien

Nettoyage



AVERTISSEMENT: La poussière et la saleté pouvant entraîner une réduction des fonctionnalités, toutes les pièces de l'appareil doivent être nettoyées régulièrement (tous les mois) ou chaque fois que cela est nécessaire.

- Enlevez la poussière et la saleté à l'aide d'un chiffon humide.
- Utilisez uniquement des produits de nettoyage désinfectants non agressifs.



ATTENTION: Ne pas immerger dans de l'eau ou utiliser des quantités excessives de liquide.



ATTENTION: Ne pas appliquer de lubrifiants supplémentaires sur les éléments mobiles.

Les poignées du joystick peuvent être retirées pour le nettoyage.

- Vous pouvez immerger brièvement la poignée dans de l'eau chaude contenant une petite quantité d'agent nettoyant. Laissez la poignée sécher avant de la remettre en place.
- Si la poignée est endommagée, usée ou reste sale, veuillez contacter votre revendeur autorisé ou mo-vis pour la remplacer.

Inspection mensuelle

Chaque mois ou lorsque cela s'avère nécessaire, vérifiez que :

- Tous les écrous et vis sont toujours bien serrés.
- Le câblage n'est pas endommagé.
- Aucun des éléments ne présente une usure excessive.

Sans entretien

Le joystick HID est destiné ne nécessite aucun entretien. Dans des conditions normales d'utilisation, le joystick HID, l'unité d'interface et les différents éléments ne nécessitent aucun entretien supplémentaire.

Codes d'erreur

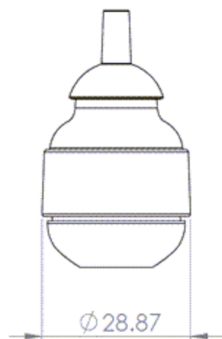
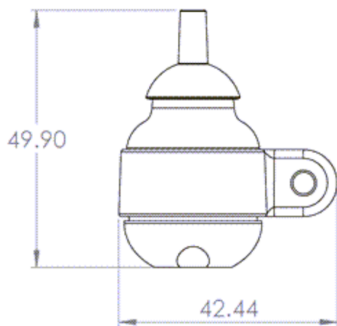


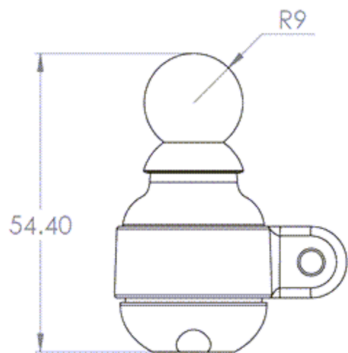
PROBLÈME: Lorsqu'une erreur se produit, les voyants LED du joystick HID se mettent à clignoter. Une longue pause est suivie par une série de clignotements à intervalle court. Veuillez contacter mo-vis ou votre revendeur en cas d'erreur.

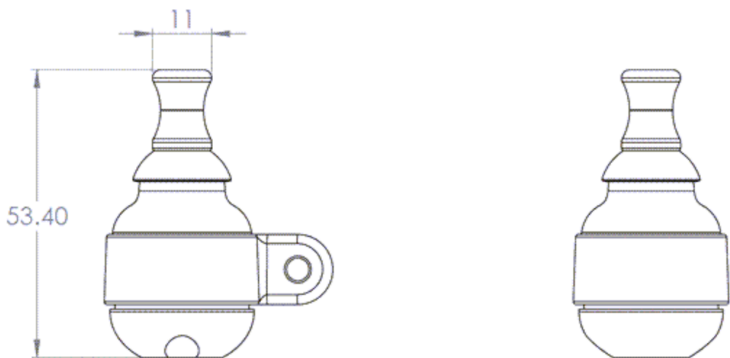
NOMBRE DE CLIGNOTEMENTS DU VOYANT LED	RAISON	ACTION REQUISE
2	Le capteur Msp n'est pas connecté.	Contactez mo-vis.
3	Problème de connexion avec l'EEPROM externe.	

Dimensions

Micro Joystick HID



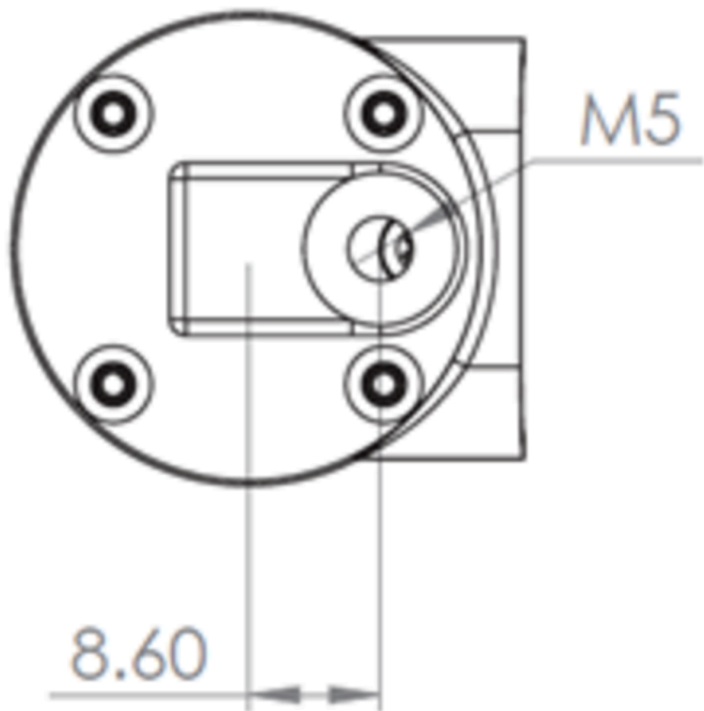




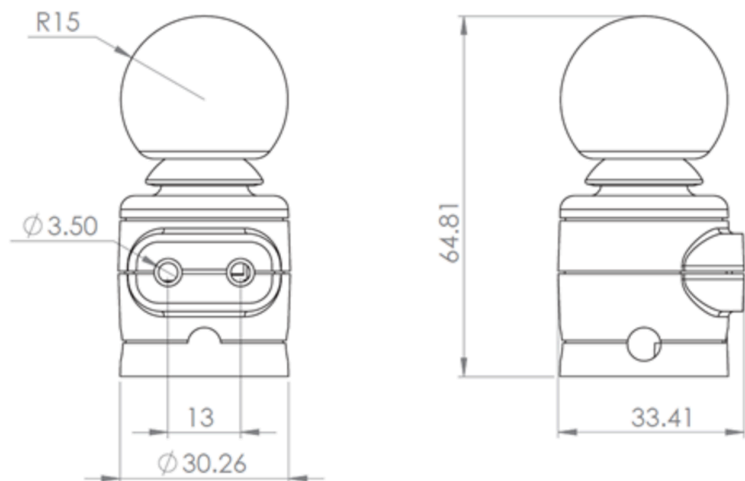
PIÈCE	DIMENSIONS (MÉTRIQUES)	DIMENSIONS (IMPÉRIALES)
Joystick	50 mm x 29 mm x 29 mm (HxIxP)	1,97 pouce x 1,41 pouce x 1,41 pouce (HxIxP)
Boule	16 mm x 18 mm x 18 mm (HxIxP)	0,63 pouce x 0,71 pouce x 0,71 pouce (HxIxP)
Cupule	15 mm x 11 mm x 11 mm (HxIxP)	0,59 pouce x 0,43 pouce x 0,43 pouce (HxIxP)

Multi Joystick HID

Vue du bas :



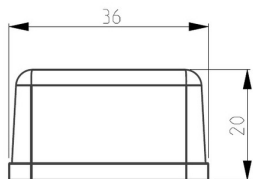
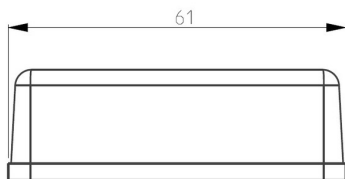
Vue latérale :



PIÈCE	DIMENSIONS (MÉTRIQUES)	DIMENSIONS (IMPÉRIALES)
Joystick	65 mm x 31 mm x 31 mm (HxIxP)	2,55 pouces x 1,22 pouces x 1,22 pouces
Boule	26 mm x 30 mm x	1,02 pouces x 1,18

PIÈCE	DIMENSIONS (MÉTRIQUES)	DIMENSIONS (IMPÉRIALES)
	30 mm (HxIxP)	pouces x 1,18 pouces

Boîtier d'interface



20 mm x 36 mm x 61 mm (HxIxP)

Données techniques

Description et code du produit

- Micro Joystick HID P025-61
Multi Joystick HID P025-62

Connecteurs de l'interface

- Prise jack stéréo 3,5 mm
- Micro USB (utilisez un câble micro USB de moins de 3 m)

Force requise

- Micro Joystick HID : environ 8 g
- Multi Joystick HID : environ 50 g

Gebruikershandleiding (Nederlands)

Ondersteuning, afdanken en recycling

Technische ondersteuning



PROBLEEM: Bij technische problemen:

- Neem contact op met uw dealer
- Als de dealer niet beschikbaar is of u niet weet wie de dealer is, neem dan contact op met mo-vis via contact@mo-vis.com of +32 9 335 28 60.

Geef altijd de productcode en het serienummer van het apparaat op als u contact met ons opneemt. Hierdoor wordt de juiste informatie aan u verstrekt.

Reserveonderdelen en accessoires

Neem contact op met mo-vis of uw dealer voor meer informatie over reserveonderdelen en accessoires.

Afdanken en recyclen



LET OP! Neem bij afdanken de plaatselijke afvalvoorschriften in acht. Gooi overbodige elektronische onderdelen op een verantwoorde wijze weg en in overeenstemming met de plaatselijke recyclingvoorschriften.

Garantie

mo-vis bv garandeert dat het product 2 jaar lang vrij is van materiaal- en productiefouten, mits het op de juiste manier wordt gebruikt, verzorgd en onderhouden. De dealer moet mo-vis-producten nooit langer dan 6 maanden op voorraad houden vóór levering aan de eindgebruiker. De garantie van mo-vis zal nooit langer dan 2 jaar en 6 maanden na verzending geldig zijn.

Alle garanties gelden alleen voor de oorspronkelijke koper bij een gecertificeerde mo-vis-dealer of van mo-vis zelf.

Reparatie en vervanging

Neem voor garantieservice contact op met uw dealer (of met ons als u direct hebt gekocht). Als er materiaal- of productiefouten optreden, moet de dealer of klant een autorisatienummer voor teruggave (RMA) bij ons opvragen. Het product moet naar een door mo-vis aangewezen servicecentrum worden verzonden. mo-vis repareert of vervangt naar eigen goeddunken alle producten die onder de garantie vallen.

Wijzigingen

Niemand heeft het recht de garanties van mo-vis te wijzigen, verlengen of op te zeggen.

Disclaimer en beperking van verhaalsmogelijkheden

De in deze overeenkomst uiteengezette uitdrukkelijke garanties vervangen alle garanties van verkoopbaarheid of geschiktheid voor een bepaald doel. mo-vis is in geen geval aansprakelijk voor elke directe, indirecte, incidentele of gevolgschade als gevolg van een defect aan dit product.

Onderdelen die onderhevig zijn aan "normale slijtage" (zoals joystickhendels, pads enz.) worden niet gedekt door de garantie, met uitzondering van materiaal- of productiefouten.

Vervallen van garanties

De eerder genoemde garanties zijn afhankelijk van een correcte installatie, gebruik, onderhoud en zorg voor het product. De garantie vervalt als het product verkeerd is geïnstalleerd of gebruikt of als het is gerepareerd of er onderdelen zijn vervangen door andere partijen dan mo-vis of een erkende dealer. Het product is een onderdeel dat geen onderhoud nodig heeft.

Het toevoegen van apparatuur of functies die niet door mo-vis zijn gemaakt of aanbevolen, kan van invloed zijn op de beoogde werking van het mo-vis-product en hierdoor kan de garantie vervallen.

Waarschuwinglabels

Lees deze handleiding, de veiligheidsvoorschriften en waarschuwingen zorgvuldig, zodat de risico's met betrekking tot het apparaat worden verminderd. Onze producten zijn onder normale en redelijke bedrijfsomstandigheden veilig.



OPMERKING: Dit symbool geeft een algemene opmerking en informatie weer.



LET OP! Dit symbool geeft een waarschuwing voor een gevaarlijke situatie weer die, als deze niet wordt vermeden, gering of middelmatig letsel tot gevolg kan hebben.



ATTENTIE: Dit symbool geeft een waarschuwing voor een gevaarlijke situatie weer die, als deze niet wordt vermeden, overlijden of ernstig letsel tot gevolg kan hebben.

Beknopte handleiding

- 1 Sluit de HID Joystick aan op een pc met Windows 10 om het apparaat te configureren.

- 2 Download de nieuwste versie van de Configurator Software van onze website <http://www.mo-vis.com>.
- 3 Open de Configurator in **Administrator Mode**.
- 4 Om in te loggen, vult u uw e-mailadres en het wachtwoord in dat u van mo-vis hebt verkregen.
- 5 Houd de modusknop op de HID Joystick 5 seconden lang ingedrukt om naar de configuratiestand te gaan (3 leds moeten knipperen).



- 6 Er wordt een COM-poort in de Configurator aangemaakt. Klik op

Connect > Parameters.



OPMERKING: Het kan een paar minuten duren voordat alle parameters zijn geladen.

- 7 Denk na over uw opstelling (modi, toetsen, enz...) en configureer uw apparaat. Voor de toetsenbord strings is er een Keyhelp Tool beschikbaar op onze website <http://www.mo-vis.com>.
- 8 Sla de parameters op uw apparaat op.
- 9 Als je de HID Joystick wilt gebruiken...
 - op uw PC: druk kort op de modusknop op de HID Interface om de muis/toetsenbord/joystick-modus te openen.
 - op een ander apparaat: koppel de HID Joystick los van de PC en sluit hem aan op een ander ondersteund apparaat. Uw apparaat zal opstarten in de muis/toetsenbord/joystick modus.

Uw HID Joystick is nu klaar voor gebruik.

What to do next:

- De volledige handleiding van de HID Joystick vindt u op onze website.
- Voor meer informatie over de Configurator Software, kunt u ook de gebruikershandleiding van de Configurator Software vinden op onze website.

Beoogd gebruik

De HID Joystick:

- is een joystick die weinig kracht vereist.
- zorgt ervoor dat mensen met (zeer) weinig spierkracht en/of bewegingsmogelijkheden apparaten zoals computers en gameconsoles kunnen bedienen.
- kan met de hand, vingers, kin en omliggende gebieden en dergelijke worden bediend.
- wordt aanbevolen voor mensen met tetraplegie, (neuro)musculaire ziekten of andere gevorderde ziekten zoals amyotrofische laterale sclerose (ALS) of multiple sclerose (MS).

De HID Joystick is een samengesteld Human Interface Device, wat betekent dat dit apparaat drie HID-klassen bevat: de HID muis, HID toetsenbord en HID Joystick. De HID Joystick kan via USB op een pc, XBOX-gameconsole, Android of alle andere apparaten met USB worden aangesloten. De HID Joystick is ook compatibel met bluetoothadapters.

De Configurator Software is een Windows-desktoptoepassing, waarmee de HID Joystick kan worden geprogrammeerd, zodat deze het best aan de voorkeuren en behoeften van de gebruiker voldoet. De software kan van <http://www.mo-vis.com> worden gedownload.



LET OP!: De joystick kan zeer gevoelig worden bediend. Er is een goede bewegingscoördinatie en krachtbeheersing vereist.

Veiligheidsvoorschriften

Beperkte aansprakelijkheid

mo-vis accepteert **geen aansprakelijkheid** voor persoonlijk letsel of eigendomsschade als gevolg van het niet opvolgen door de gebruiker of anderen van de aanbevelingen, waarschuwingen en instructies in deze handleiding.



OPMERKING: Alle mo-vis-handleidingen zijn op <http://www.mo-vis.com> te vinden, waar ze als pdf kunnen worden ingezien.



OPMERKING: Indien er met dit apparaat een ernstig ongeval optreedt, moet dit onmiddellijk worden gemeld aan mo-vis en de bevoegde autoriteit van de lidstaat waar de gebruiker is gevestigd.

Waarschuwingen en beperkingen



OPMERKING: De HID Joystick is alleen bedoeld voor ontspanningsdoeleinden en commando's voor niet-essentiële apparaten.



LET OP! Lange perioden van herhaalde bewegingen bij gebruik van dit product kunnen letsel aan zenuwen, pezen of spieren in uw handen, polsen, armen, schouders, nek of rug veroorzaken. Bezoek

een professionele zorgverlener bij pijn, gevoelloosheid, verzwakking, zwelling, brandend gevoel, verkramping of stijfheid.



OPMERKING: Neem regelmatig een pauze als u met computers werkt. Houd tekenen van vermoeidheid in de gaten.



LET OP!: De HID Joystick inclusief de geïntegreerde kabels en interface zijn onderdelen die geen onderhoud nodig hebben. Bij twijfel over veranderingen en aanpassingen moet u altijd contact met mo-vis opnemen. Open en verander het apparaat niet zelf.



OPMERKING: Dit product voldoet aan de grenswaarden voor elektromagnetische compatibiliteit (EMC) met betrekking tot elektrische rolstoelen, zoals vermeld in de geharmoniseerde EU-normen in de verordening voor medische apparatuur, nr. (EU) 2017/745.

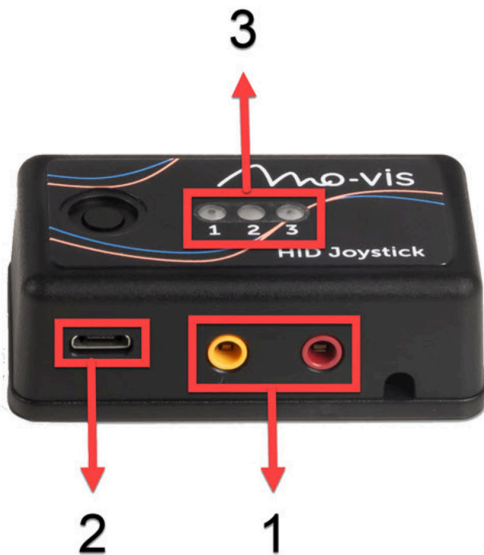


LET OP!: De verpakking kan kleine onderdelen bevatten die voor kinderen jonger dan 3 jaar verstikkingsgevaar kunnen opleveren. Houd kleine onderdelen uit de buurt van kinderen.

Eigenschappen

De HID Joystick is in 2 versies leverbaar:

- **Micro Joystick HID**
 - is een zeer gevoelige proportionele joystick die met geringe kracht (ca. 8 g - 0,28 oz) en beweging (3,3 mm - 0,13 inch) wordt bediend.
 - heeft een ergonomisch ontwerp voor eenvoudig gebruik. U kunt bijvoorbeeld de joystick in de palm van uw hand laten rusten en met uw duim bedienen.
 - wordt geleverd met twee tips: een balletje of een hendel. Gebruik het type dat het meeste comfort biedt en het handigst is.
- **Multi Joystick HID**
 - is een gevoelige proportionele joystick met beperkte amplitude (8 mm - 0,31 inch) en kracht (ca. 50 g - 1,76 oz).
 - is in een compacte, afzonderlijke behuizing ingebouwd met twee 3,5 mm jackpluggen om de invoer te schakelen
 - wordt geleverd met een bal als de tip.



Beide joysticks hebben een aparte interface met:

- 1 twee stereo ingangsbussen voor schakelaars. Door 2 splitterkabels te gebruiken, kunt u max. 4 mechanische schakelaars koppelen.

- 2 een micro USB-aansluiting. Met deze aansluiting kunt u de HID Joystick met de Configurator Software koppelen om de joystick en knoppen met muis-, toetsenbord- en joystickfuncties te configureren. U moet het ook met uw pc, tablet, XBOX e.d. koppelen.
- 3 De ledindicators geven de status (incl. foutmeldingen) van het apparaat aan.

Onderdelen en accessoires

Micro Joystick HID



Een Micro Joystick HID-pakket bevat de volgende onderdelen:

AFBEELDING	BESCHRIJVING
	P002-50 - Micro Joystick sensor

AFBEELDING**BESCHRIJVING**

M006-08 - Micro Joystick ball

AFBEELDING**BESCHRIJVING**

AFBEELDING**BESCHRIJVING**

M006-09 - Micro Joystick cup

AFBEELDING	BESCHRIJVING
 The image displays four black plastic components of a micro joystick mounting set. At the top left is a circular ring with a central threaded hole and a small metal pin protruding from the top. To its right is a small, rectangular component with a circular hole. Below these are two long, thin cylindrical rods of different lengths.	M006-20 - Micro Joystick mounting set
	M004-91 Q2M Rod 50 mm Threaded UNC 1/4x20

AFBEELDING**BESCHRIJVING**

P025-51 HID Joystick Interface



PM CAB00031 USB-aansluitkabel A naar B - micro 1 m

Multi Joystick HID



Een Multi Joystick HID-pakket bevat de volgende onderdelen:



AFBEELDING	BESCHRIJVING
	P002-60 - Multi Joystick Sensor

AFBEELDING**BESCHRIJVING**

M002-05 - Multi Joystick ball



M002-18 - Multi Joystick Mounting set

AFBEELDING	BESCHRIJVING
	
	<p>M004-91 Q2M Rod 50 mm Threaded UNC 1/4x20</p>
	<p>P025-51 HID Joystick Interface</p>

AFBEELDING	BESCHRIJVING
	
	PMCAB00031 USB-aansluitkabel A naar B - micro 1 m

Reserveonderdelen

Reserveonderdelen en accessoires moeten door de dealer bij mo-vis bv worden besteld.

Vermeld altijd de productcode van het gewenste onderdeel.

Bediening

Joystick

De joystick is proportioneel, dat wil zeggen dat een uitwijking van de joystick direct gerelateerd is aan een beweging: hoe verder u de joystick van de middenpositie beweegt, hoe sneller de actie zal zijn.

Knoppen

Als u 1 of 2 knoppen gebruikt:



Yellow Tip

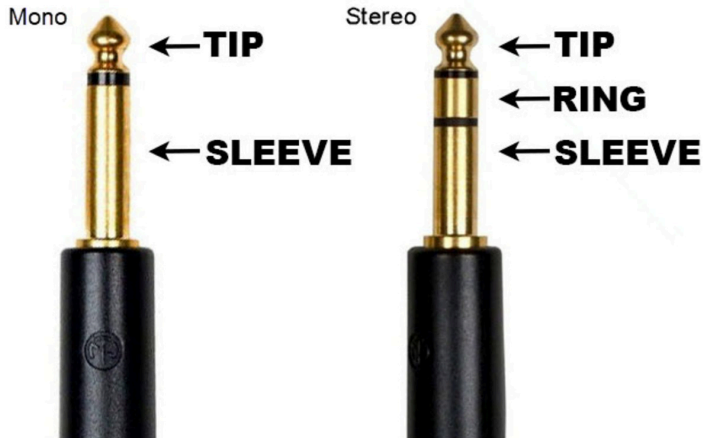
Red Tip

- U kunt een knop uit de Twister-serie van mo-vis gebruiken, maar elke andere knop met een 3,5 mm mono jackplug-aansluiting zal ook compatibel zijn.
- U kunt ook een 3,5 mm stereo jackplug-aansluiting gebruiken, maar dan moet u de gele of rode 'ring' in de Configurator Software uitsluiten.

Als u 3 of 4 knoppen wilt gebruiken, heeft u 1 of 2 splitterkabels nodig. U kunt dan een knop uit de Twister-serie van mo-vis gebruiken of elke andere knop met een 3,5 mm mono jackplug-aansluiting.



Yellow Tip **Yellow Ring**



Met een Multi Joystick HID is het mogelijk om de jackpluggen in de behuizing van de joystick te steken (bijv. handig als de joystick met de kin wordt bediend en er vlakbij knoppen zijn geplaatst).




OPMERKING: De jackpluggen in de behuizing zijn een duplicaat van de jackpluggen in de interface, geen extra jackpluggen.

Modusknop en ledlampjes

Er is een modusknop op de interfacebehuizing voor het schakelen tussen de werkstand en de configuratiestand.



- Druk < 5 s: wijzig configuratie-instelling
- Druk >5 s, < 10 s: wissel naar de configuratiestand
- Druk > 10 s: resetten software

BESCHRIJVING	LED 1	LED 2	LED 3
Configuratie-instelling 1 is actief	AAN	UIT	UIT
Configuratie-instelling 2 is actief	UIT	AAN	UIT
Configuratie-instelling 3 is actief	UIT	UIT	AAN
Bootloader is actief	AAN	AAN	AAN
Configuratiestand	DOORLOPEND KNIPPEREND		
Fout	UIT	KNIPPEREND	UIT
 OPMERKING: De hoeveelheid knipperingen kan aan de foutcodes worden gekoppeld			

Installatie

Vorbereidingen



LET OP!: Voordat u met de installatie begint:

- Controleer de verpakking en check dat alle onderdelen zijn meegeleverd.
- Zorg ervoor dat u alle benodigde documentatie en kennis hebt om dit apparaat te installeren.
- Controleer de staat waarin het apparaat zich bevindt.

Gereedschap

Gebruik een inbussleutel om het apparaat te monteren.



LET OP!: Gebruik het juiste gereedschap om het apparaat te installeren en af te stellen. Gebruik van onjuist gereedschap kan het apparaat beschadigen.

Installatieplan

Stel voordat u aan de installatie begint een installatieplan op. Op basis van de behoeften en de mogelijkheden van de gebruiker, moet dit plan rekening houden met:

- Waar moet welk onderdeel van het apparaat worden geplaatst?
- Hoe wordt het apparaat bediend?
- Een stevige en betrouwbare plaatsing. Ruwe of plotselinge bewegingen van de rolstoel mogen geen invloed op de installatie hebben.



ATTENTIE: Bescherm het apparaat tegen stoten. Probeer de unit en de bedrading niet te beschadigen. Zorg ervoor dat de kabels zodanig zijn gemonteerd dat deze niet overmatig slijten.



LET OP!: Verwijder de beschermplug voordat u een stekker aansluit. Als de aansluitingen niet worden gebruikt, moeten de beschermpluggen worden aangebracht of erin blijven.



LET OP!: Dit is medische apparatuur Klasse I (*MDR 2017/745*). Alle accessoires, waaronder schakelaars, moeten ook aan de *MDR 2017/745*-voorschriften voldoen (bijv. de mo-vis *Twister*, getest conform de norm *EN12184*).



LET OP!: De HID Joystick is bedoeld om binnen te gebruiken. Bescherm de interfacebehuizing tegen water.



LET OP!: Onjuist gebruik of onjuiste installatie kan letsel bij de gebruiker of schade aan eigendommen veroorzaken.

Installatie van de Micro Joystick HID

- 1 Bepaal waar de joystick moet komen.

Er staat een pijl op de onderkant van de Micro Joystick om de standaardrichting van het noorden aan te geven. Dit kan echter met de Configurator Software worden aangepast.

- 2 Plaats de bevestigingsring om de behuizing van de joystick.
- 3 Bevestig de Q2M-halve klem op de bevestigingsring.

Gebruik een inbussleutel om de bout van 20 mm te monteren.



OPMERKING: Ondanks dat we dit afraden, kunt u de joystick bevestigen zonder de Q2M-halve klem te gebruiken.



LET OP!: Draai de schroeven stevig, maar niet te strak aan. Te veel kracht kan de unit beschadigen.

- 4 Zet de unit over een Q2M Rod of de ¼" Q2M Rod 50 mm met UNC-schroefdraad 1/4x20 of elke andere staaf van 6 mm om de Micro HID

Joystick aan te brengen.

- 5 Bevestig de interface-unit en alle kabels op de gewenste plaats en zet alles goed vast.
- 6 Plaats indien nodig maximaal 4 schakelaars (via splitterkabels), zet de kabels vast en sluit de stekkers aan.

Installatie van de Multi Joystick HID

- 1 Bepaal waar de joystick moet komen.

Als u de Multi Joystick voor u houdt met de jackpluggen aan de rechterkant vanaf uw kant gezien, is een voorwaartse beweging van de joystick de standaardrichting naar het noorden. Dit kan echter met de Configurator Software worden aangepast.

- 2 Bepaal welke van de drie sleuven u wilt gebruiken om de kabel te begeleiden.
- 3 Monteer de bevestigingsplaat met de 4 schroeven op de grondplaat van de behuizing van de joystick.



- 4 Plaats de Q2M-halve klem op de onderkant van de unit. Gebruik een inbusleutel om de bout van 14 mm te monteren.





OPMERKING: Ondanks dat we dit afraden, kunt u de joystick bevestigen zonder de Q2M-halve klem te gebruiken.

- 5 Zet de unit over een Q2M Rod of de ¼" Q2M Rod 50 mm met UNC-schroefdraad of elke andere staaf van 6 mm om de Multi Joystick HID aan te brengen.
- 6 Bevestig de interface-unit en alle kabels op de gewenste plaats en zet alles goed vast.
- 7 Plaats indien nodig maximaal 4 schakelaars (via splitterkabels), zet de kabels vast en sluit de stekkers aan.

Configuratie

Software downloaden

- U kunt de Configurator Software downloaden vanaf onze website <http://www.mo-vis.com>
- Software-eisen: Windows, versie 10
- Zie de *handleiding Configurator Software* voor alle gegevens over installatie en gebruik van de software.
- Voor het configureren van de parameters van het apparaat, moet u toegang op dealerniveau hebben. Dit niveau is met een wachtwoord beveiligd. Neem contact op met mo-vis voor het wachtwoord.

Keyhelp Tool

Er is ook een Keyhelp Tool op onze website beschikbaar. Download en installeer de tool voor hulp bij het aanmaken van toetsenbord strings.

Instellingen definiëren

- 1 Sluit de HID Joystick aan op een pc. Gebruik een standaard mini USB - USB A-kabel.
- 2 Open de Configurator in de **Administrator Mode**. Hierdoor wordt de benodigde tijd verkort voor het laden van alle parameters (30 sec - 2 min).
- 3 Houd de modusknop op de interface 5 seconden lang ingedrukt om de configuratiestand van de HID Joystick te openen. Wacht totdat alle parameters zijn geladen.



OPMERKING: De HID Joystick zelf kan niet voor het programmeren van het apparaat worden gebruikt.

- 4 Configureer de parameters met de software of upload een vooraf geconfigureerde set parameters naar het apparaat.
- 5 Sla de configuratie in uw apparaat op.
- 6 Test de configuratie en pas deze zo nodig aan.

Instellingen



OPMERKING: Voor een beter begrip worden hieronder de modi afzonderlijk uitgelegd. Echter een configuratieset kan ook acties van andere modi inhouden.

De modus muis

Parameters zoals **Move dpi**, **Scroll dpi**, **Repeat time** en **Acceleration** zijn in deze modus relevant. Zie [Algemene parameters on page 280](#).

De modus toetsenbord

Er kan een groot aantal toetsenbord strings worden geconfigureerd. Een toetsenbord string kan zowel met een actie door een joystick als een knop worden verzonden.

Een toetsenbord string is geldig als het 2 hexadecimalen bevat die door een spatie zijn gescheiden. De eerste hexadecimaal is de modifier en de tweede is de key code. Als de modifier 0x00 is, wordt de toets niet aangepast.



OPMERKING: De toetsen zijn op en QWERTY-toetsenbord gebaseerd. Als u een ander toetsenbord gebruikt, dan moet u de overeenkomstige toets van die fysieke plaats invoeren.

Voorbeeld:

- 0x00 (geen aanpassing) 0x05 (toets b en B) = b

- 0x04 (linker Alt) 0x05 (toets b en B) = B

Lijst van modifiers:

HEXADECIMAAL	BESCHRIJVING
0x00	No modification
0x01	Linker Ctrl
0x02	Linker Shift
0x03	Linker Ctrl EN linker Shift
0x04	Linker Alt
0x05	Linker Ctrl EN linker Alt
0x08	Linker WIN modifier
0x10	Rechter Ctrl
0x20	Rechter Shift
0x40	Rechter Alt
0x80	Right Win modifier

Lijst met toetsen:

HEXADECIMAAL	BESCHRIJVING
0x04	Toetsenbord a en A
0x28	ENTER / RETURN
0x29	ESCAPE
0x2a	DELETE / Backspace
0x2b	TAB
0x2c	Spatiebalk
...	...

Voor uw gemak kunt u de Keyhelp Tool van onze website downloaden of daar een volledige lijst met toetsen en modifiers vinden: <http://www.mo-vis.com>.

Als een bepaalde toetsenbord string herhaald moet worden, kies dan **Keyboard String & Hold** als een duwbeweging van de joystick of het indrukken van een knop.



OPMERKING: Dit werkt als een standaard toetsenbord. Dit betekent dat het belangrijk is om te onthouden welke toets is ingedrukt, omdat deze actief blijft tot u de **Keyboard String & Hold** uitschakelt (dezelfde actie uitvoert).


De modus joystick


Geen aanvullende informatie.

Algemene parameters

Algemene parameters


INSTELLING	BESCHRIJVING	PARAMETERS	
Bewegingssnelheid	Stelt de bewegingssnelheid van de muis in (dots per inch): hoe hoger deze waarde, hoe sneller de cursor beweegt.  OPMERKING: Deze parameter is alleen relevant als een muisbeweging is geconfigureerd.	Standaard	10
		Min.	1
		Max.	127
		Stap	1
Scroll snelheid	Wanneer u een scrolwiel op een standaardmuis verplaatst, voelt u een kleine klik. De waarde van deze parameter vertegenwoordigt zo'n klik. Hoe hoger deze waarde, hoe sneller u horizontaal of verticaal	Standaard	10
		Min.	1
		Max.	127
		Stap	1

INSTELLING	BESCHRIJVING	PARAMETERS	
G	<p>scrolt.</p> <div data-bbox="246 216 653 546" style="background-color: #f0f0f0; padding: 10px; border: 1px solid #ccc;"> <p> OPMERKING: Voor zeer nauwkeurig scrollen (bijv. door de inventaris van een game of langzaam door een document) moet u het niet onder directe actie plaatsen, maar liever onder een duwtje van de joystick of korte/gemiddelde/lange druk op een knop.</p> </div> <div data-bbox="246 568 653 720" style="background-color: #f0f0f0; padding: 10px; border: 1px solid #ccc;"> <p> OPMERKING: Deze parameter is alleen relevant als een scrolbeweging van de muis is geconfigureerd.</p> </div>		
Scroll herhaaltijd	Deze parameter is alleen relevant als een <u>scrolbeweging</u> van de muis is geconfigureerd. Het scrollen met een muiswiel op een standaard-muis is een enkele geactiveerde gebeurtenis. Als de scrolactie aan	Standaard	50 ms
		Min.	50 ms
		Max.	10.000 ms
		Stap	50 ms

INSTELLING	BESCHRIJVING	PARAMETERS	
	<p>de directe actie van de joystick is gekoppeld, dan wordt het een herhaalde gebeurtenis. Deze waarde geeft de herhalings-tijd van de gebeurtenis aan (scrollen).</p> <div data-bbox="246 337 653 488" style="border: 1px solid #ccc; padding: 10px; background-color: #f9f9f9;"> <p> OPMERKING: Deze parameter is alleen relevant als een scrolbeweging van de muis is geconfigureerd.</p> </div>		
Versnelling	Deze parameter is relevant wanneer een muisactie is geconfigureerd als directe actie EN nudge-actie van de joystick. De directe actie wordt geblokkeerd totdat de nudge timer is verlopen. Na het verstrijken van de timer zal de muis plotseling bewegen. Om de gebruiker meer controle over deze muisbeweging te geven, versnelt de snelheid van de beweging van nul tot de maximale move speed . Hoe snel deze versnelling is, wordt bepaald door deze parameter.	Standaard	50%
		Min.	10%
		Max.	100%
		Stap	10%

Auditieve feedback

INSTELLING	BESCHRIJVING	PARAMETERS	
Medium timer	Pieptoon wanneer de korte timer van de knopactie is verstreken	Standaard	Korte piep
		Overig	Geen
Lange timer	Pieptoon wanneer de gemiddelde timer van de knopactie is verstreken	Standaard	Lange piep
		Overig	Geen
Config set	Pieptoon bij wisselen naar een andere configuratieset	Standaard	Aantal pieptonen
		Overig	Geen
Volume	Volume van de auditieve feedback	Standaard	100%
		Min.	0%
		Max.	100%
		Stap	1%

 **OPMERKING:** Deze parameter is alleen relevant als de parameters voor de auditieve feedback

INSTELLING	BESCHRIJVING	PARAMETERS
	met een pieptoon zijn geconfigureerd.	

Knoppen



OPMERKING: Hoewel het maximum aantal knoppen 4 is, kunnen tot 12 acties met de knoppen worden geprogrammeerd. De knoppen kunnen een **direct action** uitvoeren of u kunt een onderscheid maken tussen **short / medium / long press**.

INSTELLING	BESCHRIJVING	PARAMETERS	
Korte timer	Alleen relevant als u kiest voor een korte / middellange / lange druk boven directe actie. Als de knop korter wordt ingedrukt dan de korte timer, wordt de korte drukactie uitgevoerd. Als de knop langer wordt ingedrukt dan de korte timer, maar korter dan de lange timer, wordt de middelste drukactie uitgevoerd. Als de knop langer	Standaard	1.000 ms
		Min.	0 ms
		Max.	10.000 ms
		Stap	100 ms
Lange timer		Standaard	2.000 ms
		Min.	0 ms


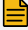
INSTELLING	BESCHRIJVING	PARAMETERS	
G	wordt ingedrukt dan de lange timer, wordt de lange-drukactie uitgevoerd.	Max.	10.000 ms
		Stap	100 ms
Debounce-Timer	De knop moet langer worden ingedrukt dan de debounce-timer, voordat hij als input wordt gezien. Het kan handig zijn om deze timer te verhogen, bijvoorbeeld als de gebruiker een tremor heeft.	Min.	20 ms
		Max.	100 ms
		Stap	10 ms

Invoer Joystick



OPMERKING: De joystick kan een onderscheid maken tussen een directe actie of een duwtje.


INSTELLING	BESCHRIJVING	PARAMETERS	
G	Threshold	Standaard	50
		Min.	30
		Max.	70

INSTELLING	BESCHRIJVING	PARAMETERS	
G	toetsaanslag. Wanneer de joystick weer onder de Threshold komt, beschouwt het systeem dit als een toetsontgrendeling.	Stap	1
Nudge timer	<p>De nudge-timer definieert de tijd die wordt gebruikt om een joystick-nudge te detecteren. De nudge-timer start wanneer de joystick verder wordt afgebogen dan de drempel en stopt wanneer deze weer onder de drempel komt.</p> <div data-bbox="249 538 653 692" style="border: 1px solid #ccc; border-radius: 10px; padding: 10px; background-color: #f9f9f9;">  OPMERKING: Als de waarde van de nudge timer nul is, dan is er geen nudge-actie mogelijk. </div> <div data-bbox="249 714 653 833" style="border: 1px solid #ccc; border-radius: 10px; padding: 10px; background-color: #f9f9f9;">  OPMERKING: De uitvoer van de directe actie is geblokkeerd zolang deze timer actief is. </div>	Standaard	1.000
		Min.	0
		Max.	50.000
		Stap	100
Dode band	U kunt de dode band of de neutrale zone rond het midden van de joy-	Standaard	10%

INSTELLING	BESCHRIJVING	PARAMETERS	
	stick aanpassen, waar beweging niet als invoer wordt gezien.	Min.	0
		Max.	15
		Stap	1


Diversen

INSTELLING	BESCHRIJVING	PARAMETERS	
Input filter	Als u dit instelt op Block diagonal axes , worden alleen bewegingen naar het noorden, zuiden, oosten en westen herkend. Dit kan handig zijn voor mensen die de joystick niet erg precies kunnen bedienen.	Standaard	Geen
		Overig	Blok diagonale assen
8 toetsenbordassen	Standaard kunt u geen toetsenbordassen combineren. Als u bijvoorbeeld de pijltjestoetsen OMHOOG en dan LINKS wilt gebruiken, moet u elke keer terug naar het midden. U kunt echter '8 toetsenbordassen' activeren. Op deze manier kunt u de	Standaard	Uit
		Overig	Aan

INSTELLING	BESCHRIJVING	PARAMETERS
G	<p>toetsen OMHOOG en LINKS tegelijertijd activeren.</p> <div data-bbox="246 244 655 462" style="border: 1px solid #ccc; padding: 10px; background-color: #f9f9f9;"> <p> OPMERKING: Zorg ervoor dat de nudge-acties in de actieve configuratieset allemaal op None zijn ingesteld en dat alle directe acties op Keyboard string zijn ingesteld.</p> </div>	

Configuratiesets

Er kunnen 3 verschillende sets configuraties in de HID Joystick worden geconfigureerd. De gebruiker kan gemakkelijk tussen de verschillende configuratiesets wisselen door deze functie aan een actie van de joystick of een knop toe te wijzen. De configuratiesets worden met ledlampjes op de interface (1 groene led = config set 1 enz.) en met optionele auditieve feedback aangegeven.


 **OPMERKING:** Als de gebruiker een actie uitvoert (bijv. linker muisklik) en op dat moment naar een andere configuratieset gaat, dan wordt de actie beëindigd.

Parameters voor de joystick

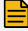
Voor elke richting van de joystick kunnen verschillende acties worden toegewezen. Hetzij voor een duwtje of een volledige verplaatsing.


- Noorden = vooruit
- Oosten = rechts
- Zuiden - achteruit
- Westen = links

Zie [Installatie van de Micro Joystick HID on page 271](#) en [Installatie van de Multi Joystick HID on page 272](#) voor de standaard positie van het noorden.

INSTELLING	BESCHRIJVING	PARAMETERS	
Actie - direct	<p>De actie wordt geactiveerd vanaf het moment dat de toets wordt ingedrukt totdat de toets wordt losgelaten.</p> <div data-bbox="242 703 629 855"> OPMERKING: De uitvoer van directe actie is geblokkeerd zolang de nudge timer actief is.</div>	Opties	<ul style="list-style-type: none">• Geen• Linker muisklik• Rechter muisklik• Scrollen met muis N - O - Z - W• Bewegen

INSTELLING	BESCHRIJVING	PARAMETERS	
			met muis N - O - Z - W <ul style="list-style-type: none"> • Joystick button 1 - 8 • Toetsenbo
Actie - duwtje	Alle verschillende acties die aan een duwtje van de joystick kunnen worden toegewezen.	Opties	<ul style="list-style-type: none"> • Geen • Linker muisklik • Rechter muisklik • Middelste muisklik • Linker muisklik en ingedrukt houden • Dubbelklik linkermuis knop

INSTELLING	BESCHRIJVING	PARAMETERS
		<ul style="list-style-type: none"> • Scrollen met muis N - O - Z - W • Config set 1 - 2 - 3 • Joystick button 1 - 8 • Toetsenbord string • Toetsenbord string&hol
Toetsenbord string - direct	<p>Alleen actief als de waarde van de Keyboard string voor Action - direct is geselecteerd.</p> <div style="border: 1px solid #ccc; background-color: #f0f0f0; padding: 10px; margin-top: 10px;"> <p> OPMERKING: Deze actie verzendt de tekens zolang de actie actief is.</p> </div>	Zie De modus toetsenbord on page 277 voor meer informatie.
Toet-	Alleen actief als de waarde van	Zie De modus toetsen-

INSTELLING	BESCHRIJVING	PARAMETERS
senbord string - duwtje	de Keyboard string voor Action - nudge is geselecteerd. <div data-bbox="242 244 629 340" style="border: 1px solid #ccc; padding: 5px; margin-top: 10px;">  OPMERKING: Deze actie verzendt een enkel teken. </div>	bord on page 277 voor meer informatie.

Parameters voor knoppen

De knoppen kunnen een **direct action** uitvoeren of u kunt een onderscheid maken tussen **short/medium/long press**.

Zie [Knoppen on page 264](#) voor meer informatie.

INSTELLING	BESCHRIJVING	PARAMETERS	
Actie - direct	De actie wordt geactiveerd vanaf het moment dat de knop wordt ingedrukt.	Opties	<ul style="list-style-type: none"> • Geen • Linker muisklik • Rechter muisklik • Middelste muisklik • Linker

INSTELLING	BESCHRIJVING	PARAMETERS	
			muisklik en ingedrukt houden <ul style="list-style-type: none"> • Dubbelklik linkermuis knop • Scrollen met muis N - O - Z - W • Config set 1 - 2 - 3 • Joystick button 1 - 8 • Toetsenbord string • Toetsenbord string&hol
Kort/gemid-	De actie wordt geactiveerd vanaf het moment dat de knop wordt	Opties	<ul style="list-style-type: none"> • Geen • Linker

INSTELLING	BESCHRIJVING	PARAMETERS
deld/lang indrukken	losgelaten.	<ul style="list-style-type: none"> • muisklik • Rechter muisklik • Middelste muisklik • Linker muisklik en ingedrukt houden • Dubbelklik linkermuis knop • Scrollen met muis N - O - Z - W • Config set 1 - 2 - 3 • Joystick button 1 - 8 • Toetsenbo

INSTELLING	BESCHRIJVING	PARAMETERS
		rd string • Toetsenbord string&hol
Toetsenbord string - direct + kort/gemiddeld/lang indrukken	Voer de modifier en key code in	Zie De modus toetsenbord on page 277 voor meer informatie.

Ondersteunde platforms

De HID Joystick wordt door de volgende platforms ondersteund:

- [Windows on page 296](#)
- [OSX on page 297](#)
- [Android on page 298](#)
- [iOS on page 301](#)
- [XBOX/XAC on page 304](#)

Windows

De HID Joystick is voor Windows 10 ontwikkeld. De USB-kabel van de HD Joystick kan op een vrije poort van de pc worden aangesloten.

Toetsenbord

Zie [De modus toetsenbord on page 277](#) .

Muis

Enkel voorbeelden van muisbewegingen ondersteund door Windows:

TOETS	BESCHRIJVING
Beweeg noord/oost/zuid/west	De cursor beweegt omhoog/ omlaag/links/rechts
Scrol noord/oost/zuid/west	Scrol door pagina of document omhoog/omlaag/links/rechts
Linker muisklik	Selecteren
Middelste muisklik	Dubbelklik
Rechter muisklik	Rechter klik op menu
Linker muisklik en ingedrukt houden	Selecteer en ingedrukt houden
Dubbelklik linkermuisknop	Bestand openen



OPMERKING: De middelste muisknop is niet een standaard ondersteunde actie. Deze wordt echter wel door de Firefox-browser ondersteund: een klik met de middelste muisknop op een tabblad zal dat tabblad sluiten.

Joystick

De acties van de joystick kunnen in de Windows Game Controller Tester worden getest.

In Windows: **Set up USB Game Controllers > Properties > Test.**

Dit menu geeft een as en 8 knoppen weer. Als een knop wordt ingedrukt, wordt deze gemarkeerd. Als een as wordt gewijzigd, zullen de kruisdraden wijzigen.

OSX

De USB-kabel van de HD Joystick kan op een vrije poort van de pc worden aangesloten.

Toetsenbord

Zie [De modus toetsenbord on page 277](#) .

Muis

De volgende muisacties kunnen worden geconfigureerd:

TOETS	BESCHRIJVING
Beweeg omhoog/omlaag/links/rechts	De cursor beweegt omhoog/omlaag/links/rechts
Scrol omhoog/scrol omlaag	Scrol omhoog/omlaag (bijv. door een website met veel inhoud)
Scrol links/scrol rechts	Scrol horizontaal (bijv. in een boek)
Muisklik links	Selecteren
Muisklik midden	Dubbelklik
Muisklik rechts	Rechter klik op menu

Joystick

Acties met de joystick worden in OS ondersteund.

Android

De USB-kabel van de HID Joystick kan met een USB OTG-kabel op een Android-telefoon of -tablet worden aangesloten. Na een paar seconden zal de telefoon of het tablet de HID Joystick herkennen.

Toetsenbord

U kunt het toetsenbord gebruiken om met behulp van snelkoppelingen (zie tabel hieronder) naar uw Android-apparaat te navigeren. Dit is een limitatieve lijst. Er is echter ook de Android-app External Keyboard Helper waarmee u aangepaste toetsenbordsnelkoppelingen kunt maken.

BESCHRIJVING	TOETSENBORD STRING
Navigeer omhoog	KEY_UP 0x00 0x52
Navigeer omlaag	KEY_DOWN 0x00 0x51
Navigeer links	KEY_LEFT 0x00 0x50
Navigeer rechts	KEY_RIGHT 0x00 0x4f
Open selectie	KEY_ENTER 0x00 0x28
Ga terug	KEY_ESC 0x00 0x29
Verwijder een teken	KEY_BACKSPACE 0x00 0x2a
Wissel tussen taken	MOD_LALT + KEY_TAB 0x04 0x2b
Open browser	MOD_LMETA + KEY_B 0x08 0x05
Knippen	MOD_LCTRL + KEY_X 0x01 0x1b
Kopiëren	MOD_LCTRL + KEY_C 0x01 0x06

BESCHRIJVING	TOETSENBORD STRING
Plakken	MOD_LCTRL + KEY_V 0x01 0x19
Volgend venster	KEY_TAB 0x00 0x2b
Selecteer tekst omhoog	MOD_LSHIFT + KEY_UP 0x02 0x52
Selecteer tekst omlaag	MOD_LSHIFT + KEY_DOWN 0x02 0x51
Selecteer tekst rechts	MOD_LSHIFT + KEY_RIGHT 0x02 0x50
Selecteer tekst links	MOD_LSHIFT + KEY_LEFT 0x02 0x4f
Verwijderen	KEY_DELETE 0x00 0x4c

Muis

De volgende muisacties kunnen worden geconfigureerd:

TOETS	BESCHRIJVING
Beweeg omhoog/omlaag/links/rechts	De cursor beweegt omhoog/omlaag/links/rechts
Scrol omhoog/scrol omlaag	Scrol omhoog/omlaag
Muisklik links	Selecteren

TOETS	BESCHRIJVING
Muisklik midden	Terug naar startmenu
Muisklik rechts	Terug naar vorige menu
Knop dubbele klik links	Open de app

Joystick

We ondersteunen 8 knoppen die per game kunnen worden toegewezen.



OPMERKING: Om deze functie te testen, kunt u de gratis Android-app Game controller keymapper van AnkitChowdhury installeren. Hiermee kunt u de assen en key codes visualiseren.

iOS

De USB-kabel van de HID Joystick kan met een adapterkabel van Apple Lightning naar USB op een iPad of iPhone worden aangesloten. Na een paar seconden zal de telefoon of het tablet de HID Joystick herkennen.

Toetsenbord

U kunt het toetsenbord gebruiken voor het navigeren door iOS met sneltoetsen op het toetsenbord:

BESCHRIJVING	TOETSENBORD STRING
Navigeer omhoog	KEY_UP 0x00 0x52
Navigeer omlaag	KEY_DOWN 0x00 0x51
Navigeer links	KEY_LEFT 0x00 0x50
Navigeer rechts	KEY_RIGHT 0x00 0x4f
Open selectie	KEY_SPACE 0x00 0x2c
Ga naar start	MOD_LMETA + KEY_H 0x08 0x0b
Verwijder een teken	KEY_BACKSPACE 0x00 0x2a
Wissel tussen taken	MOD_LALT + KEY_TAB 0x04 0x2b
Knippen	MOD_LCTRL + KEY_X 0x01 0x1b
Kopiëren	MOD_LCTRL + KEY_C 0x01 0x06
Plakken	MOD_LCTRL + KEY_V 0x01 0x19
Volgend venster	KEY_TAB 0x00 0x2b
Selecteer tekst omhoog	MOD_LSHIFT + KEY_UP 0x02 0x52
Selecteer tekst omlaag	MOD_LSHIFT + KEY_DOWN 0x02 0x51
Selecteer tekst rechts	MOD_LSHIFT + KEY_RIGHT 0x02

BESCHRIJVING	TOETSENBORD STRING
	0x50
Selecteer tekst links	MOD_LSHIFT + KEY_LEFT 0x02 0x4f
Verwijderen	KEY_DELETE 0x00 0x4c



OPMERKING: Voor het maken van snelkoppelingen in iOS: **Settings** > **Accessibility** > **Keyboards** > **Full Keyboard Access** > **On**. Ga naar **Commands**: tik op een commando, druk dan op de aan te passen toets om het toe te wijzen en klik op **Done**.



OPMERKING: Voor het wijzigen van de toetsenbordlay-out in iOS: **Settings** > **General** > **Keyboard** > **Keyboards**: houd uw vinger op het toetsenbord en selecteer **QWERTY/AZERTY/QWERTZ**

Muis

Instelling van de muisknoppen:

Settings > **Accessibility** > **Touch** > **Assistive touch** > **Enable assistive touch**.

Sluit de HID Joystick met de Lightning-kabel aan op het iApparaat.

Tik op **Devices** > **Hid Joyst. Int** > **Customize additional buttons**:

- Stel knop 1 in als **Single Tap**.
- Stel knop 2 in als **Secondary Click**.

- Stel knop 3 in als **Home**.

De volgende muisacties kunnen worden geconfigureerd:

TOETS	BESCHRIJVING
Beweeg omhoog/omlaag/links/rechts	De cursor beweegt omhoog/omlaag/links/rechts
Scrol omhoog/scrol omlaag	Scrol omhoog/omlaag
Muisklik links	Selecteren
Muisklik midden	Terug naar startmenu
Muisklik rechts	Terug naar startmenu

Joystick

Niet ondersteund in iOS.

XBOX/XAC



OPMERKING: Een XBOX ondersteunt het gebruik van muis en toetsenbord in sommige games en apps, maar het werkt niet voor alle inhoud. De gepubliceerde games of app moeten deze functie voor hun inhoud inschakelen. Anders kunt u de adaptieve controller van XBOX gebruiken om niet-ondersteunde games te spelen.

Lees uw XBOX-handleiding voor meer informatie over het aansluiten van een USB-apparaat op de XBOX.

Toetsenbord

U kunt het toetsenbord gebruiken voor het navigeren door het XBOX-menu met sneltoetsen op het toetsenbord:

TOETSENBORD STRING	BESCHRIJVING
KEY_UP – 0x00 0x52	Navigeer omhoog
KEY_DOWN - 0x00 0x51	Navigeer omlaag
KEY_LEFT - 0x00 0x50	Navigeer links
KEY_RIGHT - 0x00 0x4f	Navigeer rechts
MOD_LMETA + KEY_LEFTMETA – 0x08 0xe3	Open de handleiding
KEY_ENTER 0x00 0x28	Selecteren
KEY_SPACE 0x00 0x2x	Selecteren
KEY_ESC 0x00 0x29	Terug
MOD_LMETA + KEY_BACKSPACE 0x08 0x2a	Terug
KEY_TAB 0x00 0x2b	Wissel naar volgende tegel

TOETSENBORD STRING	BESCHRIJVING
MOD_LSHIFT + KEY_TAB 0x02 0x2b	Wissel naar vorige tegel
MOD_LMETA + KEY_M 0x08 0x10	Open menu
MOD_LMETA + KEY_V 0x08 0x19	Weergave wijzigen
KEY_Y 0x00 0x1c	Open zoekopdracht

Muis



OPMERKING: Een bedrade muis werkt alleen in sommige games en apps waarvoor navigatie met de muis is ingeschakeld. Controleer uw games om te zien of deze navigatie met de muis ondersteunen.

Configureren van de muis:

- 1 Druk op de XBOX-knop op uw controller om de handleiding te openen.
- 2 Selecteer **Profiles & System > Settings > Devices & Streaming**.
- 3 Selecteer **Mouse**. U ziet opties voor de aanwijzersnelheid en het verwisselen van de primaire en secundaire muisknoppen.



OPMERKING: U kunt geen muis gebruiken op **Home** of in de XBOX-gebruikersinterface terwijl u in het dashboard navigeert.



OPMERKING: U moet uw controller gebruiken om uw muis te configureren. **Settings** ondersteunt geen interactie met de muis.



OPMERKING: Een muis werkt niet in Microsoft Edge dat al een cursor op het scherm heeft.

XBOX adaptieve controller (XAC)

De HID Joystick is compatibel met de XAC. De XAC is primair ontwikkeld voor de behoeften van games met beperkte mobiliteit en is een algemene hub voor apparaten om gaming toegankelijker te maken.

Sluit de USB-kabel van de HID Joystick aan op de XAC en gebruik de HID Joystick in de joystickmodus.

De XAC heeft twee USB-poorten: de linker USB-poort vervangt de linker thumbstick en de rechter USB-poort vervangt de rechter thumbstick.



OPMERKING: Andere HID-apparaten zoals muis en toetsenbord worden niet door de XAC ondersteund, dus u moet ervoor zorgen dat uw HID Joystick in de juiste configuratiemodus is ingesteld.

De XAC wijst de knoppen van de joystick automatisch toe.

JOYSTICKKNOP	LINKER USB-POORT	RECHTER USB-POORT
Knop 1	X1	Weergave
Knop 2	X2	Menu
Knop 3	ThumBtnL	ThumBtnR
Knop 4	BumperL	BumperR
Knop 5	A	X
Knop 6	B	J
Knop 7	Weergave	X1
Knop 8	Menu	X2



OPMERKING: Als de knoppen met behulp van de XBOX-accessoires-app opnieuw worden geconfigureerd, worden de nieuwe configuraties ook op de USB HID Joystick-knoppen toegepast.

Deze acties kunnen op de XBOX one worden getest.

Download en installeer de gratis Game controller tester-app van de Microsoft Store. Open de app en selecteer de XBOX adaptieve controller als de te testen controller. Druk op de knoppen en beweeg de joystick. De verschillende knoppen gaan branden en de as beweegt in de gevraagde richting.

Eerste gebruik

Bij het eerste gebruik wordt geadviseerd dat de gebruiker en/of de begeleider deze handleiding zorgvuldig doorlezen.

Het is belangrijk dat de gebruiker weet hoe het apparaat werkt, hoe het kan worden gebruikt en wat er aangepast kan worden om de gebruikerservaring te verbeteren.

- 1 Lees de handleiding zorgvuldig en zorg ervoor dat u de functie van elke actie met de joystick en elke knop begrijpt.
- 2 Controleer of de joystick, de behuizing, bekabeling en alle stekkers onbeschadigd zijn.
- 3 Test alle posities van de HID Joystick.
 - Zijn de joystick en schakelaars binnen handbereik?
 - Kan de gebruiker het apparaat veilig en moeiteloos bedienen?
 - Zijn de joystick en schakelaars in alle beschikbare posities optimaal voor de gebruiker geplaatst?
 - Keert de joystick terug in de standaardpositie als de joystick naar voren, achteren, links en rechts wordt bewogen of daar wordt losgelaten?
- 4 Pas de HID Joystick indien nodig aan.
- 5 Zorg ervoor dat u de mogelijke problemen begrijpt en hoe deze kunnen worden opgelost.

Onderhoud

Reinigen



ATTENTIE: Daar stof en vuil een verminderde functionaliteit kunnen veroorzaken, moeten alle delen van het apparaat regelmatig (maandelijks) of wanneer nodig worden gereinigd.

- Verwijder stof en vuil voorzichtig met een vochtige doek.
- Gebruik uitsluitend niet-agressieve desinfecterende reinigingsmiddelen.



LET OP!: Niet in water onderdompelen en geen extreme hoeveelheden vloeistof gebruiken.



LET OP!: Breng geen extra smeermiddelen aan op de bewegende delen.

De hendels van de joystick kunnen voor reiniging worden verwijderd.

- U kunt de hendel kort in warm water met een mild reinigingsmiddel onderdompelen. Laat de hendel opdrogen voordat u hem terugplaatst.
- Als de hendel beschadigd of versleten is of vuil blijft, neem dan contact op met uw erkende dealer of met mo-vis om hem te vervangen.

Maandelijks inspectie

Controleer maandelijks of indien nodig dat:

- alle bouten en schroeven nog stevig vast zitten;
- de bedrading niet beschadigd is;
- onderdelen niet te veel versleten zijn.

Onderhoudsvrij

De HID Joystick is onderhoudsvrij. Bij normaal gebruik hebben de HID Joystick, interface-unit en verschillende onderdelen geen extra onderhoud nodig.

Foutcodes



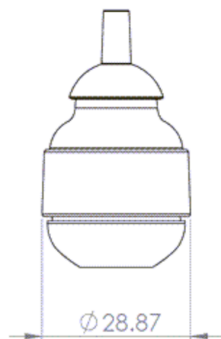
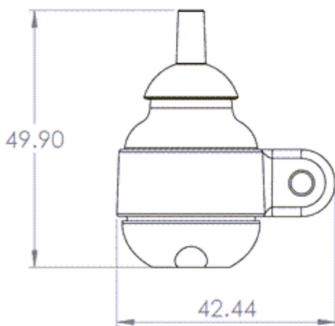
PROBLEEM: Bij een fout zullen de ledlampjes van de HID Joystick beginnen te knipperen. Na een lang interval knippert het lampje een aantal keren met een kort interval. Neem bij foutmeldingen contact op met mo-vis of uw dealer.

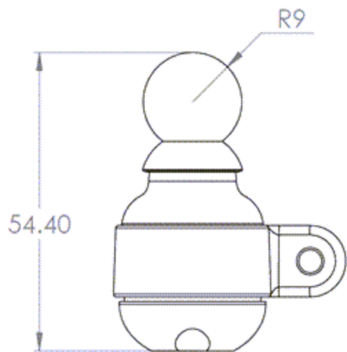
AANTAL KNIPPERINGEN VAN DE LED	OORZAAK	VEREISTE HANDELING
2	Msp-sensor is niet	Neem contact op met

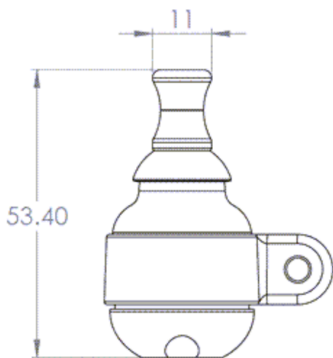
AANTAL KNIPPINGEN VAN DE LED	OORZAAK	VEREISTE HANDELING
	aangesloten.	mo-vis.
3	Verbindingsprobleem met externe EEPROM.	

Afmetingen

Micro Joystick HID



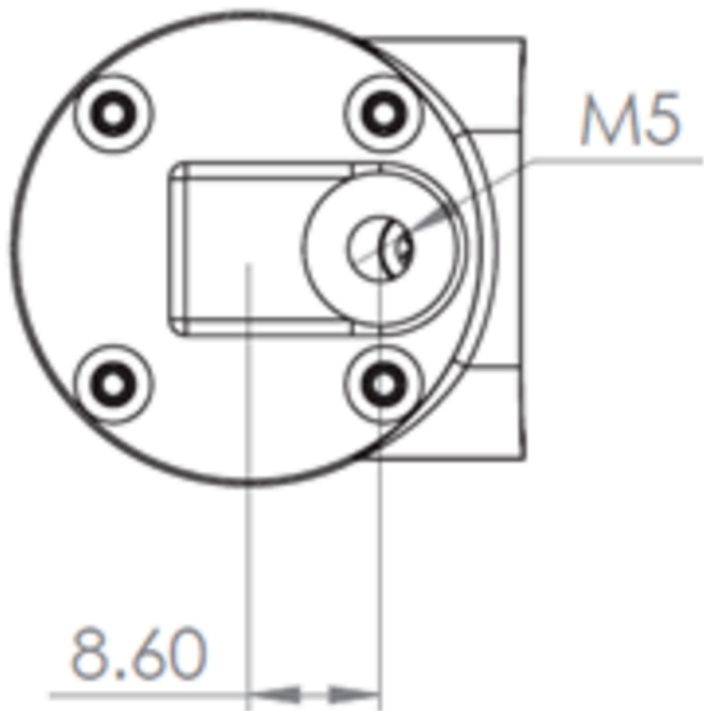




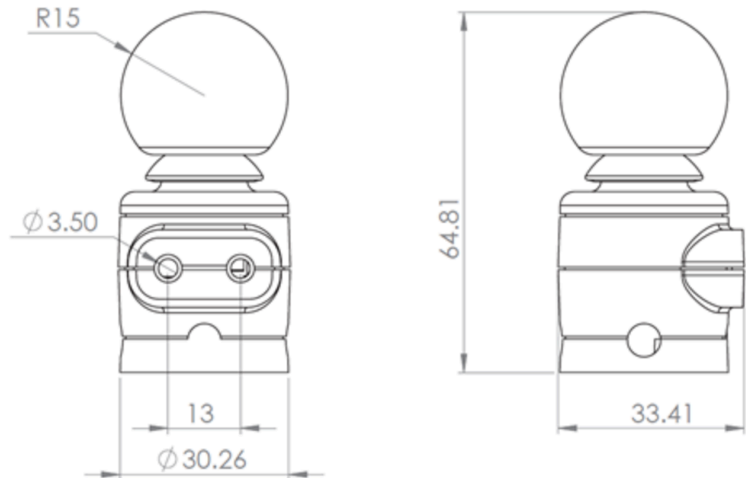
ONDERDEEL	AFMETINGEN (METRISCH)	AFMETINGEN (IMPERIAL)
Joystick	50 mm x 29 mm x 29 mm (HxBxD)	1,97 x 1,41 x 1,41 inch (HxBxD)
Bal	16 mm x 18 mm x 18 mm (HxBxD)	0,63 x 0,71 x 0,71 inch (HxBxD)
Hendel	15 mm x 11 mm x 11 mm (HxBxD)	0,59 x 0,43 x 0,43 inch (HxBxD)

Multi Joystick HID

Onderaanzicht:



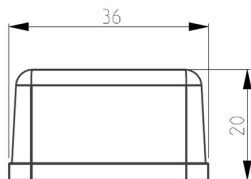
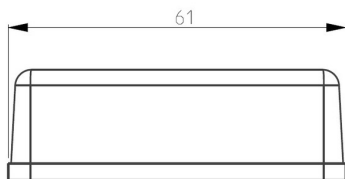
Zijaanzicht:



ONDERDEEL	AFMETINGEN (METRISCH)	AFMETINGEN (IMPERIAL)
Joystick	65 mm x 31 mm x 31 mm (HxBxD)	2,55 x 1,22 x 1,22 inch
Bal	26 mm x 30 mm x 30	1,02 x 1,18 x 1,18 inch

ONDERDEEL	AFMETINGEN (METRISCH)	AFMETINGEN (IMPERIAL)
	mm	

Interfacebehuizing



20 mm x 36 mm x 61 mm (HxBxD)

Technische gegevens

Productbeschrijving en productcode

- P025-61 Micro Joystick HID
P025-62 Multi Joystick HID

Interfacestekkers

- 3,5 mm stereo jackplug
- Micro USB (gebruik een micro USB-kabel van < 3 m)

Benodigde kracht

- Micro Joystick HID: ca. 8 g/0,28 oz
- Multi Joystick HID: ca. 50 g/1,76 oz



mo-vis bv . Biebuyckstraat 15D . 9850 Deinze - Belgium

www.mo-vis.com . contact@mo-vis.com . +32 9 335 28 60

Go to our website for more information on our products or share your experience with us via email.

