



|                                |                 |                                 |
|--------------------------------|-----------------|---------------------------------|
| P.O. number: _____             | Date: _____     | Ship to: _____                  |
| Company Name: _____            | Phone: _____    | Name: _____                     |
| Purchasing contact: _____      |                 | Address: _____                  |
| Clinician/Sales rep/ATP: _____ | City: _____     | Country: _____                  |
| Email: _____                   | Postcode: _____ |                                 |
| Marked for: _____              | * Required      | Phone: _____ Taxes not included |

MA083 English Manual (STD)

| MODEL                                 |      |                                                                    |                                                  |                                                  |                                     |                                     |                                                  | GBP                                              |                          |                          |
|---------------------------------------|------|--------------------------------------------------------------------|--------------------------------------------------|--------------------------------------------------|-------------------------------------|-------------------------------------|--------------------------------------------------|--------------------------------------------------|--------------------------|--------------------------|
| 1                                     | WC20 | Ultralight <b>VELOCE</b> Wheelchair (120 kg - 265 lb weight limit) |                                                  |                                                  |                                     |                                     |                                                  | £3 995                                           | <input type="checkbox"/> |                          |
| 2                                     | WC09 | <b>HD</b> Heavy Duty package (159 kg - 350 lb weight capacity)     |                                                  |                                                  |                                     |                                     |                                                  | £395                                             | <input type="checkbox"/> |                          |
| 3                                     | WC10 | E-Motion adaptor Kit (2 adaptors) - Only necessary with 6° camber  |                                                  |                                                  |                                     |                                     |                                                  | £35                                              | <input type="checkbox"/> |                          |
| SEAT WIDTH <sup>3</sup> - cm (inches) |      |                                                                    |                                                  |                                                  |                                     |                                     |                                                  |                                                  |                          |                          |
| 4                                     | SW   | Seat width:                                                        | 35,6 (14") <input type="checkbox"/>              | 38,1 (15") <input type="checkbox"/>              | 40,6 (16") <input type="checkbox"/> | 43,2 (17") <input type="checkbox"/> | 45,7 (18") <sup>2</sup> <input type="checkbox"/> | 48,3 (19") <sup>2</sup> <input type="checkbox"/> | NC                       | <input type="checkbox"/> |
| 5                                     | SW   | Seat width:                                                        | 50,8 (20") <sup>2</sup> <input type="checkbox"/> |                                                  |                                     |                                     |                                                  | £350                                             | <input type="checkbox"/> |                          |
| SEAT DEPTH - cm (inches)              |      |                                                                    |                                                  |                                                  |                                     |                                     |                                                  |                                                  |                          |                          |
| 6                                     | SD   | Seat depth:                                                        | 35,6 (14") <sup>1</sup> <input type="checkbox"/> | 38,1 (15") <sup>1</sup> <input type="checkbox"/> | 40,6 (16") <input type="checkbox"/> | 43,2 (17") <input type="checkbox"/> | 45,7 (18") <input type="checkbox"/>              | 48,3 (19") <input type="checkbox"/>              | NC                       | <input type="checkbox"/> |
| 7                                     | SD   | Seat depth:                                                        | 50,8 (20") <input type="checkbox"/>              |                                                  |                                     |                                     |                                                  | £350                                             | <input type="checkbox"/> |                          |

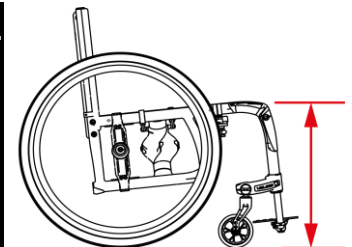
1 - Depth achieved with shorter seat sling.    2 - Available with HD option    3. [Width calculator](#)

| FRAME LENGTH |      |                                                              |  |  |  |  |  |     |                          |
|--------------|------|--------------------------------------------------------------|--|--|--|--|--|-----|--------------------------|
| 8            | SP01 | Standard frame length configuration <sup>1</sup>             |  |  |  |  |  | STD | <input type="checkbox"/> |
| 9            | SP02 | Frame length 2.5 cm (1") longer than standard configuration  |  |  |  |  |  | NC  | <input type="checkbox"/> |
| 10           | SP03 | Frame length 5 cm (2") longer than standard configuration    |  |  |  |  |  | NC  | <input type="checkbox"/> |
| 11           | SP04 | Frame length 2.5 cm (1") shorter than standard configuration |  |  |  |  |  | NC  | <input type="checkbox"/> |
| 12           | SP05 | Frame length 5 cm (2") shorter than standard configuration   |  |  |  |  |  | NC  | <input type="checkbox"/> |

1- Distance of 10.16cm (4.37") from seat end to bend

**FRONT Seat-to-floor height**

| Caster sizes        | Height available +/- 1/4"                                     |                                                      |
|---------------------|---------------------------------------------------------------|------------------------------------------------------|
| 7,62cm (3") Caster  | 35,6cm to 53,3cm (14" to 21")                                 | <b>Specify desired height:</b><br><br>_____ (inches) |
| 10,16cm (4") Caster | 36,8cm to 53,3cm (14.5" to 21")                               |                                                      |
| 12,7cm (5") Caster  | 39,4cm to 53,3cm (15.5" to 21")                               |                                                      |
| 15,25cm (6") Caster | 41,9cm to 53,3cm (16.5" to 21")<br>(N/A with 90° front frame) |                                                      |



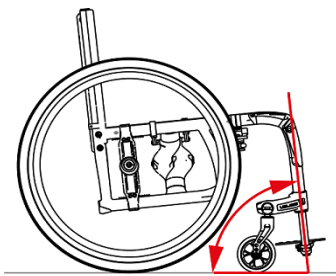
| CASTERS        |      |                                                                               |                             |                             |                             |                             |  |      |                          |                          |
|----------------|------|-------------------------------------------------------------------------------|-----------------------------|-----------------------------|-----------------------------|-----------------------------|--|------|--------------------------|--------------------------|
| 13             | CA01 | Composite wheel w/ PU tire (1" width)                                         | 3" <input type="checkbox"/> | 4" <input type="checkbox"/> | 5" <input type="checkbox"/> | 6" <input type="checkbox"/> |  | NC   | <input type="checkbox"/> |                          |
| 14             | CA10 | Pneumatic casters 6" x 1 1/4" (15,24x3,17cm)                                  |                             |                             |                             |                             |  | £140 | <input type="checkbox"/> |                          |
| 15             | CA14 | <b>Newton UltraCaster Soft-Roll Composite</b>                                 | 4" x 1 1/2"                 |                             |                             |                             |  |      | £70                      | <input type="checkbox"/> |
| 16             | CA15 |                                                                               | 5" x 1 1/2"                 |                             |                             |                             |  |      | £70                      | <input type="checkbox"/> |
| 17             | CA16 |                                                                               | 6" x 1 1/2"                 |                             |                             |                             |  |      | £70                      | <input type="checkbox"/> |
| 18             | CA17 |                                                                               | 4" x 1 1/2"                 |                             |                             |                             |  |      | £120                     | <input type="checkbox"/> |
| 19             | CA18 | <b>Newton UltraCaster Soft-Roll Aluminum</b>                                  | 5" x 1 1/2"                 |                             |                             |                             |  |      | £125                     | <input type="checkbox"/> |
| 20             | CA19 |                                                                               | 6" x 1 1/2"                 |                             |                             |                             |  |      | £130                     | <input type="checkbox"/> |
| CASTER OPTIONS |      |                                                                               |                             |                             |                             |                             |  |      |                          |                          |
| 21             | CA13 | Carbon fiber Frog Legs suspension forks (Not available with caster pin locks) |                             |                             |                             |                             |  | £395 | <input type="checkbox"/> |                          |

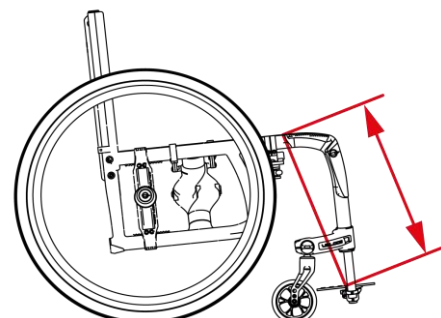
## Veloce - REAR Seat-to-floor Height

| WHEEL SIZES                              | Height available |                    |                                                                                                        |
|------------------------------------------|------------------|--------------------|--------------------------------------------------------------------------------------------------------|
| 22" (501) wheel <input type="checkbox"/> | 34.3cm / 13.5"   | to 46.4cm / 18.25" | <b>Specify desired height:</b><br><hr style="border: 0; border-top: 1px solid black; margin: 5px 0;"/> |
| 24" (540) wheel <input type="checkbox"/> | 36.8cm / 14.5"   | to 48.9cm / 19.25" |                                                                                                        |
| 25" (559) wheel <input type="checkbox"/> | 38.1cm / 15"     | to 50.2cm / 19.75" |                                                                                                        |
| 26" (590) wheel <input type="checkbox"/> | 39.4cm / 15.5"   | to 51.4cm / 20.25" |                                                                                                        |

*Configuration used: 2.5 cm (1") seat slope with a center of gravity at 5cm (2")*

*Note: Tire size, center of gravity setting and seat slope may result in a variation of +/- 1,25 cm (½") of selected Seat to Floor height"*

| FRONT FRAME ANGLE |      |                       |                                                                                    |                             |                             |
|-------------------|------|-----------------------|------------------------------------------------------------------------------------|-----------------------------|-----------------------------|
| 22                | FA70 | 70° Front Frame Angle |  |                             | NC <input type="checkbox"/> |
| 23                | FA75 | 75° Front frame angle |                                                                                    | NC <input type="checkbox"/> |                             |
| 24                | FA80 | 80° Front Frame Angle |                                                                                    | NC <input type="checkbox"/> |                             |
| 25                | FA85 | 85° Front frame angle |                                                                                    | NC <input type="checkbox"/> |                             |
| 26                | FA90 | 90° Front Frame Angle |                                                                                    | NC <input type="checkbox"/> |                             |

| SEAT TO FOOTREST HEIGHT           |                                                                                      |
|-----------------------------------|--------------------------------------------------------------------------------------|
| <b>Set Length to<sup>1</sup>:</b> | <i>Length must be at least 4,5 cm (1 ¾") shorter than front seat-to-floor height</i> |
| 1 - +/- 1.27 cm (1/2")            |   |

| Footrest width / Taper selection |                                 |       |                                  |       |  |
|----------------------------------|---------------------------------|-------|----------------------------------|-------|--|
| Seat Width                       | Straight <sup>1</sup>           |       | 1" Taper                         |       |  |
| Outside Measurement              | 6,4 cm Narrower than Seat Width |       | 11,4 cm Narrower than Seat Width |       |  |
| 35,56    14"                     | 29,21                           | 11,5" | 24,13                            | 9,5"  |  |
| 38,1    15"                      | 31,75                           | 12,5" | 26,67                            | 10,5" |  |
| 40,64    16"                     | 34,29                           | 13,5" | 29,21                            | 11,5" |  |
| 43,18    17"                     | 36,83                           | 14,5" | 31,75                            | 12,5" |  |
| 45,72    18"                     | 39,37                           | 15,5" | 34,29                            | 13,5" |  |
| 48,26    19"                     | 41,91                           | 16,5" | 36,83                            | 14,5" |  |
| 50,8    20"                      | 44,45                           | 17,5" | 39,37                            | 15,5" |  |

*1- May interfere with auto-folding and flip-up footplates*

| FOOTPLATES            |      |                                                                                           |  |  |  |                               |
|-----------------------|------|-------------------------------------------------------------------------------------------|--|--|--|-------------------------------|
| 27                    | FP06 | One piece adjustable angle flip-up ( <i>Aluminum</i> )                                    |  |  |  | NC <input type="checkbox"/>   |
| 28                    | FP07 | One piece adjustable angle flip-up ( <i>Carbon fiber with rubber inserts</i> )            |  |  |  | £380 <input type="checkbox"/> |
| 29                    | FP28 | One piece auto-folding adjustable angle ( <i>Aluminum</i> )                               |  |  |  | £250 <input type="checkbox"/> |
| 30                    | FP29 | One piece auto-folding adjustable angle ( <i>Carbon fiber with rubber inserts</i> )       |  |  |  | £295 <input type="checkbox"/> |
| 31                    | FP02 | Newton adjustable angle footplate ( <i>Composites - Two piece</i> )                       |  |  |  | £180 <input type="checkbox"/> |
| 32                    | FP03 | Newton adjustable angle ( <i>Aluminum - Two piece</i> )                                   |  |  |  | £200 <input type="checkbox"/> |
| 33                    | FP04 | Newton adjustable angle footplate ( <i>Carbon fiber with rubber inserts - Two piece</i> ) |  |  |  | £365 <input type="checkbox"/> |
| FOOTPLATE ACCESSORIES |      |                                                                                           |  |  |  |                               |
| 34                    | FP08 | Length adjustable heel loop ( <i>not available with one piece footplate</i> )             |  |  |  | £35 <input type="checkbox"/>  |
| 35                    | FP09 | Calf strap                                                                                |  |  |  | £30 <input type="checkbox"/>  |
| 36                    | FP30 | Bodypoint Aeromesh Padded calf strap                                                      |  |  |  | £95 <input type="checkbox"/>  |

### Backrest

| FIXED HEIGHT, NO PUSH HANDLE OPTIONS                 |      |                                                                                                                                                                                                                                     |  |  |  |                               |
|------------------------------------------------------|------|-------------------------------------------------------------------------------------------------------------------------------------------------------------------------------------------------------------------------------------|--|--|--|-------------------------------|
| 37                                                   | BC03 | Ultralight carbon fiber back cane <sup>1</sup><br>12 (9") <input type="checkbox"/> 22 (12") <input type="checkbox"/> 38 (15") <input type="checkbox"/> 45,7 (18") STD <input type="checkbox"/> 53,3 (21") <input type="checkbox"/>  |  |  |  | NC <input type="checkbox"/>   |
| 38                                                   | BC04 | <b>8° bend</b> carbon fiber back cane <sup>1</sup><br>34,3 (13 ½) <input type="checkbox"/> 38,1 (15") <input type="checkbox"/> 45,7 (18") STD <input type="checkbox"/>                                                              |  |  |  | £45 <input type="checkbox"/>  |
| HEIGHT ADJUSTABLE WITH PUSH HANDLES                  |      |                                                                                                                                                                                                                                     |  |  |  |                               |
| 39                                                   | BC06 | <b>Straight</b> carbon fiber back cane<br>22 - 30,4 (9-12") <input type="checkbox"/> 30,4 - 38 (12-15") <input type="checkbox"/> 38 - 45,7 (15-18") <input type="checkbox"/> 45,7 - 53,3 (18-21") STD <input type="checkbox"/>      |  |  |  | NC <input type="checkbox"/>   |
| 40                                                   | BC08 | <b>8° bend</b> Carbon fiber back cane<br>34,3 - 38 (13 ½-15") <input type="checkbox"/> 38,1 - 45,7 (15-18") <input type="checkbox"/> 45,7 - 53,3 (18-21") STD <input type="checkbox"/>                                              |  |  |  | £45 <input type="checkbox"/>  |
| HEIGHT AND ANGLE ADJUSTABLE WITH PUSH HANDLE OPTIONS |      |                                                                                                                                                                                                                                     |  |  |  |                               |
| 41                                                   | BC09 | <b>Straight</b> carbon fiber back cane<br>30,4 - 38 (12-15") <input type="checkbox"/> 38,1 - 45,7 (15-18") <input type="checkbox"/> 45,7 - 53,3 (18-21") STD <input type="checkbox"/>                                               |  |  |  | £175 <input type="checkbox"/> |
| 42                                                   | BC10 | <b>8° bend</b> carbon fiber back cane<br>34,3 - 38 (13 ½-15") <input type="checkbox"/> 38,1 - 45,7 (15-18") <input type="checkbox"/> 45,7 - 53,3 (18-21") STD <input type="checkbox"/>                                              |  |  |  | £220 <input type="checkbox"/> |
| 43                                                   |      | Select back cane angle:<br>85° <sup>1</sup> <input type="checkbox"/> 90° <input type="checkbox"/> 95° <b>STD</b> <input type="checkbox"/> 100° <input type="checkbox"/> 105° <input type="checkbox"/> 110° <input type="checkbox"/> |  |  |  |                               |
| <b>Set height to:</b> <sup>2</sup>                   |      | <i>(measured from seat sling to top of back upholstery)</i>                                                                                                                                                                         |  |  |  |                               |
| PUSH HANDLE OPTIONS                                  |      |                                                                                                                                                                                                                                     |  |  |  |                               |
| 44                                                   | PH01 | Push handles                                                                                                                                                                                                                        |  |  |  | NC <input type="checkbox"/>   |
| 45                                                   | PH05 | Fold down push handles <sup>3,5</sup>                                                                                                                                                                                               |  |  |  | £120 <input type="checkbox"/> |
| 46                                                   | PH06 | Clamp on height adjustable push handle <sup>3,4,5</sup><br>22,9 - 50,8 cm (9-20") STD <input type="checkbox"/> 22,9 - 58,4 cm (9-23") <input type="checkbox"/>                                                                      |  |  |  | £260 <input type="checkbox"/> |
| 47                                                   | PH02 | Omit push handles                                                                                                                                                                                                                   |  |  |  | NC <input type="checkbox"/>   |

1- Not available with a 8 degree bend cane 2 - If not indicated, default height setting is at the lowest position 3 - 120 kg/265 pounds weight limit

4 - Not compatible with swing away armrests, 8° bend back canes

5 - Not compatible with stroller handle, stabilizer bar, headrest and attendant lock

| BACK UPHOLSTERY |      |                                                |  |  |  |                               |
|-----------------|------|------------------------------------------------|--|--|--|-------------------------------|
| 48              | BH07 | Slip-on Active-Mesh back upholstery            |  |  |  | NC <input type="checkbox"/>   |
| 49              | BH08 | Adjustable tension Active-Mesh back upholstery |  |  |  | £145 <input type="checkbox"/> |
| 50              | BH99 | Omit Back upholstery                           |  |  |  | NC <input type="checkbox"/>   |

| SEAT CUSHION |      |                     |  |  |  |                               |
|--------------|------|---------------------|--|--|--|-------------------------------|
| 51           | SC01 | 5,1 cm (2") Cushion |  |  |  | £145 <input type="checkbox"/> |
| 52           | SC02 | 7,6 cm (3") Cushion |  |  |  | £162 <input type="checkbox"/> |
| 53           | SC99 | Omit seat cushion   |  |  |  | STD <input type="checkbox"/>  |

## Rear wheels

| ONE ARM DRIVE <sup>1</sup> Only available with Newton One rear wheels with Aluminum, Plastic coated Handrims |      |                                                            |                                         |                               |                                |                               |                              |                              |                               |                              |                              |
|--------------------------------------------------------------------------------------------------------------|------|------------------------------------------------------------|-----------------------------------------|-------------------------------|--------------------------------|-------------------------------|------------------------------|------------------------------|-------------------------------|------------------------------|------------------------------|
| 54                                                                                                           | HR22 | One arm drive <sup>2,3</sup>                               | 24"                                     | left <input type="checkbox"/> | right <input type="checkbox"/> |                               |                              |                              | £1200                         | <input type="checkbox"/>     |                              |
| 55                                                                                                           | HR98 | Omit handrim on opposite side of the One Arm Drive (OAD)   |                                         |                               |                                |                               |                              |                              | NC                            | <input type="checkbox"/>     |                              |
| REAR WHEELS                                                                                                  |      |                                                            |                                         |                               |                                |                               |                              |                              |                               |                              |                              |
| 56                                                                                                           | RW01 | Mag <sup>4</sup>                                           | 22" <input type="checkbox"/>            | 24" <input type="checkbox"/>  |                                |                               |                              |                              | £45                           | <input type="checkbox"/>     |                              |
| 57                                                                                                           | RW02 | Newton One - spoke wheel <sup>5</sup>                      | 22" <input type="checkbox"/>            | 24" <input type="checkbox"/>  |                                |                               |                              |                              | NC                            | <input type="checkbox"/>     |                              |
| 58                                                                                                           | RW03 | Newton Gravity - ultralight wheel                          | 22" <input type="checkbox"/>            | 24" <input type="checkbox"/>  | 25" <input type="checkbox"/>   | 26" <input type="checkbox"/>  |                              |                              | £275                          | <input type="checkbox"/>     |                              |
| 59                                                                                                           | RW04 | Spinerigy Spox                                             | 22" <input type="checkbox"/>            | 24" <input type="checkbox"/>  | 25" <input type="checkbox"/>   | 26" <input type="checkbox"/>  |                              |                              | £600                          | <input type="checkbox"/>     |                              |
| 60                                                                                                           |      | Spinerigy Spox spokes colors <sup>6</sup>                  | <b>Blk STD</b> <input type="checkbox"/> | Wht <input type="checkbox"/>  | Blue <input type="checkbox"/>  | Red <input type="checkbox"/>  | Yel <input type="checkbox"/> |                              | NC                            | <input type="checkbox"/>     |                              |
| 61                                                                                                           | RW05 | Spinerigy LX                                               | 22" <input type="checkbox"/>            | 24" <input type="checkbox"/>  | 25" <input type="checkbox"/>   | 26" <input type="checkbox"/>  |                              |                              | £800                          | <input type="checkbox"/>     |                              |
| 62                                                                                                           |      | Spinerigy LX spokes colors <sup>6</sup>                    | <b>Blk STD</b> <input type="checkbox"/> | Pur <input type="checkbox"/>  | Wht <input type="checkbox"/>   | Blue <input type="checkbox"/> | Red <input type="checkbox"/> | Yel <input type="checkbox"/> | Pink <input type="checkbox"/> | Grn <input type="checkbox"/> | Org <input type="checkbox"/> |
| 63                                                                                                           | RW07 | Spinerigy CLX Carbon Blade                                 |                                         | 24" <input type="checkbox"/>  | 25" <input type="checkbox"/>   |                               |                              |                              | £1 200                        | <input type="checkbox"/>     |                              |
| 64                                                                                                           |      | Spinerigy CLX spokes colors <sup>6</sup>                   | <b>Blk STD</b> <input type="checkbox"/> | Pur <input type="checkbox"/>  | Wht <input type="checkbox"/>   | Blue <input type="checkbox"/> | Red <input type="checkbox"/> | Yel <input type="checkbox"/> | Pink <input type="checkbox"/> | Grn <input type="checkbox"/> | Org <input type="checkbox"/> |
| TIRES                                                                                                        |      |                                                            |                                         |                               |                                |                               |                              |                              |                               |                              |                              |
|                                                                                                              |      |                                                            |                                         |                               |                                |                               |                              |                              | Available                     |                              |                              |
| 65                                                                                                           | TI01 | Soft Urethane 3,17cm (1 1/4")                              |                                         |                               |                                |                               |                              |                              | 22" 24"                       | NC                           | <input type="checkbox"/>     |
| 66                                                                                                           | TI02 | Soft Urethane knobby 3,49cm (1 3/8")                       |                                         |                               |                                |                               |                              |                              | 22", 24", 25", 26"            | £85                          | <input type="checkbox"/>     |
| 67                                                                                                           | TI04 | Soft Urethane - Shox 2,54cm (1")                           |                                         |                               |                                |                               |                              |                              | 22", 24", 25", 26"            | £99                          | <input type="checkbox"/>     |
| 68                                                                                                           | TI05 | Pneumatic 3,49cm (1 3/8")                                  |                                         |                               |                                |                               |                              |                              | 22", 24", 25", 26"            | NC                           | <input type="checkbox"/>     |
| 69                                                                                                           | TI08 | Pneumatic with Airless insert 3,49cm (1 3/8") <sup>7</sup> |                                         |                               |                                |                               |                              |                              | 22", 24", 26"                 | £70                          | <input type="checkbox"/>     |
| 70                                                                                                           | TI06 | Pneumatic HP - 2,54cm (1")                                 |                                         |                               |                                |                               |                              |                              | 22", 24", 25", 26"            | £85                          | <input type="checkbox"/>     |
| 71                                                                                                           | TI07 | Pneumatic HP - Schwalbe Marathon Plus 2,54cm (1")          |                                         |                               |                                |                               |                              |                              | 24", 25", 26"                 | £95                          | <input type="checkbox"/>     |

1 - Offered with handrims on each side of the wheelchair

2 - Only standard handrim position available

3 - Not available with HD option

4 - Not compatible with HP tires; Only available with aluminum or plastic coated handrim in standard position

5 - Not compatible with Shox tires

6 - Colour spokes require an additional 10 days lead-time

7 - Only available with Newton One and Newton Gravity rear wheels

## Handrims

| HANDRIM |      |                                                       |                                                      |                                        |                                             |                                             |                                        |                                       |                                          |                                           |                                          |                                     |                                        |      |                          |
|---------|------|-------------------------------------------------------|------------------------------------------------------|----------------------------------------|---------------------------------------------|---------------------------------------------|----------------------------------------|---------------------------------------|------------------------------------------|-------------------------------------------|------------------------------------------|-------------------------------------|----------------------------------------|------|--------------------------|
| 72      | HR01 | Aluminum anodized                                     |                                                      |                                        |                                             |                                             |                                        |                                       | STD                                      | <input type="checkbox"/>                  |                                          |                                     |                                        |      |                          |
| 73      | HR61 | Aluminum black hard anodised <sup>1,3</sup>           |                                                      |                                        |                                             |                                             |                                        |                                       | New                                      | £55                                       | <input type="checkbox"/>                 |                                     |                                        |      |                          |
| 74      | HR02 | Plastic coated <sup>2</sup>                           |                                                      |                                        |                                             |                                             |                                        |                                       |                                          | £85                                       | <input type="checkbox"/>                 |                                     |                                        |      |                          |
| 75      | HR03 | Q-Grip High friction Neoprene coated <sup>2,3,4</sup> |                                                      |                                        |                                             |                                             |                                        |                                       |                                          | £295                                      | <input type="checkbox"/>                 |                                     |                                        |      |                          |
| 76      | HR07 | Newton Air Grip <sup>3</sup>                          | Black <input type="checkbox"/>                       |                                        |                                             |                                             |                                        |                                       |                                          | £85                                       | <input type="checkbox"/>                 |                                     |                                        |      |                          |
| 77      | HR   | Newton Air Grip <sup>3</sup>                          | (08) Sunkissed Orange <input type="checkbox"/>       | (09) Burgundy <input type="checkbox"/> | (10) Sapphire Blue <input type="checkbox"/> | (11) Monster Green <input type="checkbox"/> | (12) Charcoal <input type="checkbox"/> | (13) Fuchsia <input type="checkbox"/> | (14) Steel Blue <input type="checkbox"/> | (15) Ferrari Red <input type="checkbox"/> | (16) Acid Green <input type="checkbox"/> | (17) White <input type="checkbox"/> | (18) Sky Blue <input type="checkbox"/> | £175 | <input type="checkbox"/> |
| 79      | HR05 | Surge LT <sup>2,3,4</sup>                             | (1-1/8" Oval handrim w/ Gripton high friction strip) |                                        |                                             |                                             |                                        |                                       |                                          | £355                                      | <input type="checkbox"/>                 |                                     |                                        |      |                          |
| 80      | HR04 | Natural Fit Standard Grip <sup>2,3,4</sup>            |                                                      |                                        |                                             |                                             |                                        |                                       |                                          | £270                                      | <input type="checkbox"/>                 |                                     |                                        |      |                          |
| 81      | HR99 | Omit handrim                                          |                                                      |                                        |                                             |                                             |                                        |                                       |                                          | NC                                        | <input type="checkbox"/>                 |                                     |                                        |      |                          |

1 - Not available in 26"

2 - Only standard handrim position available

3 - Not available with Mag wheels or OAD

4 - Not available in 20"

## Handrims option

| Assembly position for aluminum and Newton AirGrip handrims  |       |                           |                                                    |                                               |  |  |  |  |     |                          |                          |
|-------------------------------------------------------------|-------|---------------------------|----------------------------------------------------|-----------------------------------------------|--|--|--|--|-----|--------------------------|--------------------------|
| 82                                                          | HR29  | Standard Handrim position | Full tab                                           |                                               |  |  |  |  | STD | <input type="checkbox"/> |                          |
| 83                                                          | HR30  | Narrow Handrim position   | Short tab 2 positions                              |                                               |  |  |  |  | £20 | <input type="checkbox"/> |                          |
| 84                                                          | HR31  | Super Narrow Handrim      | Short tab 2 positions STD <input type="checkbox"/> | Short tab 1 position <input type="checkbox"/> |  |  |  |  | £20 | <input type="checkbox"/> |                          |
| Thumb piece <sup>4</sup> selection for Natural Fit handrims |       |                           |                                                    |                                               |  |  |  |  |     |                          |                          |
| 85                                                          | HR23  | Standard grip             |                                                    |                                               |  |  |  |  |     | £75                      | <input type="checkbox"/> |
| 86                                                          | HR27  | Super grip                |                                                    |                                               |  |  |  |  |     | £120                     | <input type="checkbox"/> |
| 87                                                          | HR099 | Omit thumb piece          |                                                    |                                               |  |  |  |  |     | NC                       | <input type="checkbox"/> |

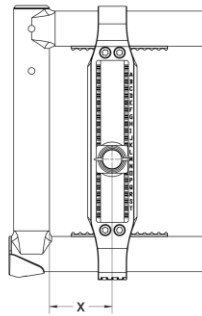
4 - Compatible with Surge, Surge LT handrims

| AXLE <sup>1</sup> |      |                    |  |  |  |  |  |  |  |      |                          |
|-------------------|------|--------------------|--|--|--|--|--|--|--|------|--------------------------|
| 88                | AX01 | Quick release axle |  |  |  |  |  |  |  | STD  | <input type="checkbox"/> |
| 89                | AX03 | Quad release axle  |  |  |  |  |  |  |  | £108 | <input type="checkbox"/> |

1 - Not required with one arm drive

| REAR WHEEL CAMBER |      |           |  |  |  |  |  |  |  |      |                          |
|-------------------|------|-----------|--|--|--|--|--|--|--|------|--------------------------|
| 90                | CM00 | 0° camber |  |  |  |  |  |  |  | STD  | <input type="checkbox"/> |
| 91                | CM03 | 3° camber |  |  |  |  |  |  |  | NC   | <input type="checkbox"/> |
| 92                | CM06 | 6° camber |  |  |  |  |  |  |  | £130 | <input type="checkbox"/> |

**CENTER OF GRAVITY**



**Choose position of rear wheel axle plate:**

Measure distance X from front of back post to center of axle receiver.

| X = | Most stable              |                          |                          |                          |                          |                          |                          |                          |                          |                          | Most responsive          |                          |                          |
|-----|--------------------------|--------------------------|--------------------------|--------------------------|--------------------------|--------------------------|--------------------------|--------------------------|--------------------------|--------------------------|--------------------------|--------------------------|--------------------------|
|     | 2,5<br>1"                | 3,2<br>1/4"              | 3,8<br>1/2"              | 4,4<br>3/4"              | 5,1<br>2"                | 5,7<br>1/4"              | 6,3<br>1/2"              | 7<br>3/4"                | 7,6<br>3"                | 8,3<br>1/4"              | 8,9<br>1/2"              | 9,5<br>3/4"              | 10,2<br>4"               |
|     | <input type="checkbox"/> | <input type="checkbox"/> | <input type="checkbox"/> | <input type="checkbox"/> | <input type="checkbox"/> | <input type="checkbox"/> | <input type="checkbox"/> | <input type="checkbox"/> | <input type="checkbox"/> | <input type="checkbox"/> | <input type="checkbox"/> | <input type="checkbox"/> | <input type="checkbox"/> |

**If not indicated, default setting is at 3,8 cm/1.5"**

Possible conflict between a seat depth under 40.6 cm (16") and a center of gravity over 6,3 cm (2.5").

Possible conflict between a 26" rear wheel and a center of gravity over 6,3 cm (2.5").

If a configuration issue arises due to the choice of the Center Of Gravity (COG) Motion Composites reserves the right to reduce or increase the COG to the closest position.

| WHEEL LOCK |              |                                                                                |  |  |  |  |  |  |      |                          |
|------------|--------------|--------------------------------------------------------------------------------|--|--|--|--|--|--|------|--------------------------|
| 93         | WL08         | Newton Wheel lock - push to lock                                               |  |  |  |  |  |  | STD  | <input type="checkbox"/> |
| 94         | WL02         | Pull to lock                                                                   |  |  |  |  |  |  | NC   | <input type="checkbox"/> |
| 95         | WL04         | Newton grade aid push to lock (suggested with pneumatic or high pressure tire) |  |  |  |  |  |  | £135 | <input type="checkbox"/> |
| 96         | WL13<br>WL14 | 6" removable extension handle                                                  |  |  |  |  |  |  | £66  | <input type="checkbox"/> |
| 97         | WL05         | Scissor Lock                                                                   |  |  |  |  |  |  | £120 | <input type="checkbox"/> |
| 98         | WL99         | Omit wheel locks                                                               |  |  |  |  |  |  | NC   | <input type="checkbox"/> |

| Handrims                        |      |                                              |                       |                              |                        |                          |                                 |                                   |     |      |                          |
|---------------------------------|------|----------------------------------------------|-----------------------|------------------------------|------------------------|--------------------------|---------------------------------|-----------------------------------|-----|------|--------------------------|
| FLIP BACK ARMREST <sup>1</sup>  |      | Height Adjustment                            |                       |                              |                        | Removable function       |                                 |                                   |     |      |                          |
| 99                              | AR01 | 10" Desk Length (25,4 cm)                    | 20,3 - 30,5 (8 - 12") | <input type="checkbox"/> STD | 25,4 - 35,6 (10 - 14") | <input type="checkbox"/> | Locked <input type="checkbox"/> | Unlocked <input type="checkbox"/> | STD | £310 | <input type="checkbox"/> |
| 100                             | AR02 | 14" Full Length (35,6 cm)                    | 20,3 - 30,5 (8 - 12") | <input type="checkbox"/> STD | 25,4 - 35,6 (10 - 14") | <input type="checkbox"/> | Locked <input type="checkbox"/> | Unlocked <input type="checkbox"/> | STD | £310 | <input type="checkbox"/> |
| "T" ARMREST <sup>1</sup>        |      | Height Adjustment                            |                       |                              |                        |                          |                                 |                                   |     |      |                          |
| 101                             | AR03 | 10" Desk Length (25,4 cm)                    | 20,3 - 30,5 (8 - 12") | <input type="checkbox"/> STD | 25,4 - 35,6 (10 - 14") | <input type="checkbox"/> |                                 |                                   |     | £285 | <input type="checkbox"/> |
| 102                             | AR04 | 14" Full Length (35,6 cm)                    | 20,3 - 30,5 (8 - 12") | <input type="checkbox"/> STD | 25,4 - 35,6 (10 - 14") | <input type="checkbox"/> |                                 |                                   |     | £285 | <input type="checkbox"/> |
| SWING AWAY ARMREST <sup>2</sup> |      | Height Adjustment                            |                       |                              |                        |                          |                                 |                                   |     |      |                          |
| 103                             | AR05 | Tubular arm pad                              | 20,3 - 27,9 (8 - 11") |                              |                        |                          |                                 |                                   |     | £195 | <input type="checkbox"/> |
| 104                             | AR06 | 10 "Desk length arm pad                      | 20,3 - 27,9 (8 - 11") |                              |                        |                          |                                 |                                   |     | £195 | <input type="checkbox"/> |
| GEL ARM PAD <sup>3</sup>        |      |                                              |                       |                              |                        |                          |                                 |                                   |     |      |                          |
| 105                             | AR12 | 36cm (14") Full Length Arm Pad - Gel Ovation |                       |                              |                        |                          |                                 |                                   |     | £133 | <input type="checkbox"/> |
| 106                             | AR99 | Omit armrest                                 |                       |                              |                        |                          |                                 |                                   |     | NC   | <input type="checkbox"/> |

1 - May have a 1/2" adjustment restriction on both limits of the range    2 - Could interfere with some rigid back rests    3- Not available with swing away armrest

| SIDE GUARDS (not available with Flip Back and "T" Armrest) |      |                                                     |  |  |  |  |  |  |  |      |                          |
|------------------------------------------------------------|------|-----------------------------------------------------|--|--|--|--|--|--|--|------|--------------------------|
| 107                                                        | SG01 | Plastic side guards (removable)                     |  |  |  |  |  |  |  | £170 | <input type="checkbox"/> |
| 108                                                        | SG02 | Carbon fiber side guards (fixed)                    |  |  |  |  |  |  |  | £220 | <input type="checkbox"/> |
| 109                                                        | SG03 | Carbon fiber side guards (removable)                |  |  |  |  |  |  |  | £255 | <input type="checkbox"/> |
| 110                                                        | SG06 | Plastic fender side guards (removable) <sup>1</sup> |  |  |  |  |  |  |  | £235 | <input type="checkbox"/> |
| 111                                                        | SG04 | Carbon fiber fender side guards (removable)         |  |  |  |  |  |  |  | £435 | <input type="checkbox"/> |
| 112                                                        | SG99 | Omit side guard                                     |  |  |  |  |  |  |  | NC   | <input type="checkbox"/> |
| SIDE GUARDS OPTION                                         |      |                                                     |  |  |  |  |  |  |  |      |                          |
| 113                                                        | SG07 | Side guards clip (pair) <sup>2</sup>                |  |  |  |  |  |  |  | NC   | <input type="checkbox"/> |

1 - Not compatible with 20" and 22" rear wheels    2 - Not available with fixed carbon fiber side guard

| POSITIONING BELT |      |                                                                 |                        |                          |                      |                          |                   |                          |  |      |                          |
|------------------|------|-----------------------------------------------------------------|------------------------|--------------------------|----------------------|--------------------------|-------------------|--------------------------|--|------|--------------------------|
| 114              | SB01 | Velcro adjustable                                               | Standard 88,9 cm (35") | <input type="checkbox"/> | Long 152,40 cm (60") | <input type="checkbox"/> |                   |                          |  | £40  | <input type="checkbox"/> |
| 115              | SB02 | Auto buckle                                                     | Standard 88,9 cm (35") | <input type="checkbox"/> | Long 152,40 cm (60") | <input type="checkbox"/> |                   |                          |  | £75  | <input type="checkbox"/> |
| 116              | SB07 | Hardware attachment for 2 point seatbelt (1 pair)               |                        |                          |                      |                          |                   |                          |  | NC   | <input type="checkbox"/> |
| 117              | SB03 | Additional attachment hardware for 4 point seatbelt             |                        |                          |                      |                          |                   |                          |  | £15  | <input type="checkbox"/> |
| 118              | SB04 | BodyPoint Hip Belt - 2 point not padded                         | M (142,24 cm/56")      | <input type="checkbox"/> | L (154,94 cm/61")    | <input type="checkbox"/> |                   |                          |  | £70  | <input type="checkbox"/> |
| 119              | SB05 | BodyPoint Hip Belt - 2 point padded                             | S (129,54 cm/51")      | <input type="checkbox"/> | M (142,24 cm/56")    | <input type="checkbox"/> | L (154,94 cm/61") | <input type="checkbox"/> |  | £150 | <input type="checkbox"/> |
| 120              | SB06 | BodyPoint Hip Belt - 4 point padded                             | S (129,54 cm/51")      | <input type="checkbox"/> | M (142,24 cm/56")    | <input type="checkbox"/> | L (154,94 cm/61") | <input type="checkbox"/> |  | £165 | <input type="checkbox"/> |
| 121              | SB08 | BodyPoint EVOFLEX® Positioning Belt Rehab latch and Band Clamps | M (73,66 cm/18")       | <input type="checkbox"/> | L (93,98 cm/24")     | <input type="checkbox"/> |                   |                          |  | £250 | <input type="checkbox"/> |
| 122              | SB99 | Omit positioning belt                                           |                        |                          |                      |                          |                   |                          |  | STD  | <input type="checkbox"/> |

| HEADREST <sup>1</sup> |      |                                             |                           |                          |                            |                          |                         |                          |  |  |      |                          |
|-----------------------|------|---------------------------------------------|---------------------------|--------------------------|----------------------------|--------------------------|-------------------------|--------------------------|--|--|------|--------------------------|
| 123                   | AC01 | Profiled Headrest                           | S 8.8 X 15.2 cm (3.5"X6") | <input type="checkbox"/> | M 11.4 X 17.8 cm (4.5"X7") | <input type="checkbox"/> | L 14 X 2.3 cm (5.5"X8") | <input type="checkbox"/> |  |  | £158 | <input type="checkbox"/> |
| 124                   | AC28 | Headrest mounting hardware with tension bar |                           |                          |                            |                          |                         |                          |  |  | £258 | <input type="checkbox"/> |

1 - Only available with push handles

| ACCESSORIES |      |                                                      |                                                   |                                                  |                              |                               |                                |                                 |                                  |                          |                          |
|-------------|------|------------------------------------------------------|---------------------------------------------------|--------------------------------------------------|------------------------------|-------------------------------|--------------------------------|---------------------------------|----------------------------------|--------------------------|--------------------------|
| 124         | AC03 | Anti tippers                                         |                                                   |                                                  |                              |                               |                                |                                 | £120                             | <input type="checkbox"/> |                          |
| 125         | AC27 | Tip assist <sup>1</sup>                              |                                                   |                                                  |                              |                               |                                |                                 | £54                              | <input type="checkbox"/> |                          |
| 126         | AC05 | WC-19 Transit Tie Down w/Q'straint belt <sup>2</sup> | Short 50-104 cm (20-41") <input type="checkbox"/> | Long 50-116 cm (20-46") <input type="checkbox"/> |                              |                               |                                |                                 | £280                             | <input type="checkbox"/> |                          |
| 127         | AC06 | Cane carrier                                         | Left <input type="checkbox"/>                     | Right <input type="checkbox"/>                   |                              |                               |                                |                                 | £104                             | <input type="checkbox"/> |                          |
| 128         | AC08 | Spoke guards <sup>3</sup>                            | Available: 22", 24", 26"                          |                                                  |                              |                               |                                |                                 |                                  | £100                     | <input type="checkbox"/> |
| 129         | AC10 | Seat pouch                                           |                                                   |                                                  |                              |                               |                                |                                 | £65                              | <input type="checkbox"/> |                          |
| 130         | AC26 | BodyPoint Mobility Bag                               |                                                   |                                                  |                              |                               |                                |                                 | £108                             | <input type="checkbox"/> |                          |
| 131         | AC23 | Newton Backpack                                      |                                                   |                                                  |                              |                               |                                |                                 | £100                             | <input type="checkbox"/> |                          |
| 132         | AC12 | Velcro Closing Strap                                 |                                                   |                                                  |                              |                               |                                |                                 | £45                              | <input type="checkbox"/> |                          |
| 133         | AC13 | Tool kit                                             |                                                   |                                                  |                              |                               |                                |                                 | £39                              | <input type="checkbox"/> |                          |
| 134         | AC16 | Motion Composites Polo Shirt                         | W/S <input type="checkbox"/>                      | W/M <input type="checkbox"/>                     | W/L <input type="checkbox"/> |                               |                                |                                 | £29                              | <input type="checkbox"/> |                          |
|             |      |                                                      | M/S <input type="checkbox"/>                      | M/M <input type="checkbox"/>                     | M/L <input type="checkbox"/> | M/XL <input type="checkbox"/> | M/XXL <input type="checkbox"/> | M/XXXL <input type="checkbox"/> | M/XXXXL <input type="checkbox"/> |                          |                          |

1 - Cannot be combined with Anti Tippers    2 - May interfere with swing away armrest and Clamp on height adjustable push handle; Not available with HD option

3 - Not available with Mag wheels and Spinergy

| CARBON FIBER FINISH |    |                  |                                        |                                       |                                          |                                                |  |  |    |                          |
|---------------------|----|------------------|----------------------------------------|---------------------------------------|------------------------------------------|------------------------------------------------|--|--|----|--------------------------|
| 135                 | FC | Highlight color: | (10) Ferrari Red                       | (11) White <input type="checkbox"/>   | (12) Black <input type="checkbox"/>      | (13) Sunkissed Orange <input type="checkbox"/> |  |  | NC | <input type="checkbox"/> |
|                     |    |                  | (14) Sky Blue <input type="checkbox"/> | (15) Fuchsia <input type="checkbox"/> | (16) Acid Green <input type="checkbox"/> |                                                |  |  |    |                          |
| <b>TOTAL</b>        |    |                  |                                        |                                       |                                          |                                                |  |  |    |                          |

**Notes :**