

<p>Base Price - £5116.00</p> <p>Valid from 01.01.24 to 31.12.24 Please ensure you are using the latest order form</p>	<p>Order no.:</p> <p>-----</p>
--	--------------------------------

Zenit CLT

Active wheelchair

Article number: 480F160=1_AA03_C



<input type="checkbox"/> Provide estimate only		<input type="checkbox"/> Order	
<input type="checkbox"/> Attachment for customer fabrication enclosed			
Billing address/customer number			
Delivery address			
Sales person		Name	
		
		Date	Signature
<p>By placing the order, you agree to comply with the instructions for use/service manuals for accessories and products of other manufacturers when combining them with an Ottobock product, in addition to the instructions for use/service manuals of the respective Ottobock products. Also you confirm to have read, understood and accepted, our general terms and conditions. In addition, you agree, upon placing an order, to conduct your own conformity assessment or approval in accordance with national requirements if and when you implement modifications or attachments that do not meet the specifications of Ottobock instructions for use/service manuals.</p> <p>Wheelchairs with CLT package cannot be returned or exchanged.</p>			

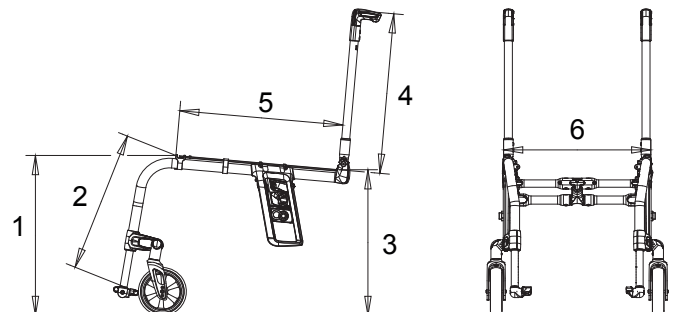
Standard equipment

- Open aluminium tube frame, foldable
- Side support (for drive wheels) firmly welded
- Back support tubes firmly welded
- Foldable leg support
- Back support upholstery adjustable
- Aluminium side panels
- Modular design
- Drive wheels with quick-release axles
- Knee lever wheel lock 4.0
- Calf strap

Folding, max. user weight 100 kg

Wheelchair measurements*

- 1 Anterior seat height (ASH)**
= ground to top of seat upholstery
- 2 Lower leg length (LL)**
= top of seat upholstery to top of foot plate (without seat cushion)
- 3 Posterior seat height (PSH)**
= ground to top of seat upholstery
- 4 Back support height (BH)**
= top of seat tube (crossbrace) to top of back support upholstery
- 5 Seat depth (SD)**
= front of seat upholstery to back support tube
- 6 Seat width (SW)**
= outside edge of frame tube to outside edge of frame tube



A manufacturing tolerance of 10 mm applies to all measurements and of 10% to specified weights.

The number codes contained in this order form are not intended to be used as article numbers for spare parts orders. Please use the spare parts catalogue for spare parts orders.

Frame tube material				
MA 08	<input checked="" type="checkbox"/>	Aluminium		Inclusive
Spring support folding mechanism				
MA 120	<input checked="" type="checkbox"/>	Standard		Inclusive
Front frame angle				
MA 20	<input type="checkbox"/>	75°		Inclusive
MA 21	<input type="checkbox"/>	85°		Inclusive
Front frame offset				
MA 14	<input type="checkbox"/>	0 cm offset		Inclusive
MA 15	<input type="checkbox"/>	2 cm offset		Inclusive
MA 30	<input type="checkbox"/>	2 cm abduction (possible up to SW 42 cm)		Inclusive
Front frame extension				
MA 23	<input type="checkbox"/>	3 cm		£100.00
Seat width SW in cm				
<input type="checkbox"/> 32	<input type="checkbox"/> 34	<input type="checkbox"/> 36	<input type="checkbox"/> 38	<input type="checkbox"/> 40
<input type="checkbox"/> 42	<input type="checkbox"/> 44	<input type="checkbox"/> 46		
Seat depth SD in cm				
<input type="checkbox"/> 36	<input type="checkbox"/> 38	<input type="checkbox"/> 40	<input type="checkbox"/> 42	<input type="checkbox"/> 44
<input type="checkbox"/> 46	<input type="checkbox"/> 48	<input type="checkbox"/> 50		
Anterior seat height in cm				
<input type="checkbox"/> 38	<input type="checkbox"/> 39	<input type="checkbox"/> 40	<input type="checkbox"/> 41	<input type="checkbox"/> 42
<input type="checkbox"/> 43	<input type="checkbox"/> 44	<input type="checkbox"/> 45	<input type="checkbox"/> 46	
<input type="checkbox"/> 47	<input type="checkbox"/> 48	<input type="checkbox"/> 49	<input type="checkbox"/> 50	<input type="checkbox"/> 51
<input type="checkbox"/> 52	<input type="checkbox"/> 53	<input type="checkbox"/> 54		
Frame accessories				
MA 51	<input type="checkbox"/>	Tip-assist, right	+ 270 g	£116.00
MA 52	<input type="checkbox"/>	Tip-assist, left	+ 270 g	£116.00
MA 55	<input type="checkbox"/>	Anti-tipper, right	+ 517 g	£204.00
MA 56	<input type="checkbox"/>	Anti-tipper, left	+ 517 g	£204.00
MA 60	<input type="checkbox"/>	Frame pad	+ 42 g	£75.00
Caster wheels				
MF 30	<input type="checkbox"/>	4" solid rubber, black		Inclusive
MF 35	<input type="checkbox"/>	4" soft caster, aluminium		£152.00
MF 31	<input type="checkbox"/>	5" solid rubber, black		Inclusive
MF 36	<input type="checkbox"/>	5" soft caster, aluminium		£152.00
MF 04	<input type="checkbox"/>	5.5" soft caster, grey		Inclusive
MF 05	<input type="checkbox"/>	6" pneumatic tyre		Inclusive
MF 32	<input type="checkbox"/>	6" solid rubber, black		Inclusive
MF 37	<input type="checkbox"/>	6" soft caster, aluminium		£152.00
Caster wheel axle				
MF 90	<input checked="" type="checkbox"/>	Caster wheel forks with threaded axles		Inclusive
Posterior seat height in cm				
<input type="checkbox"/> 37	<input type="checkbox"/> 38	<input type="checkbox"/> 39	<input type="checkbox"/> 40	<input type="checkbox"/> 41
<input type="checkbox"/> 42	<input type="checkbox"/> 43	<input type="checkbox"/> 44		
<input type="checkbox"/> 44	<input type="checkbox"/> 45	<input type="checkbox"/> 46	<input type="checkbox"/> 47	<input type="checkbox"/> 48
<input type="checkbox"/> 49	<input type="checkbox"/> 50			

Drive wheel size					
MG 02	<input type="checkbox"/>	24"			Inclusive
MG 00	<input type="checkbox"/>	25"			Inclusive
Drive wheel camber		<input type="checkbox"/> 0°	<input type="checkbox"/> 2°	<input type="checkbox"/> 3°	<input type="checkbox"/> 4°

Drive wheel rim			24"	25"	
MG 06	<input type="checkbox"/>	Hollow rims	.	.	Inclusive
MG 10	<input type="checkbox"/>	Spinergy SPOX - 360 g	.		£718.00
MG 11	<input type="checkbox"/>	Spinergy LX - 400 g	.		£792.00
MG 12	<input type="checkbox"/>	Spinergy LXL Blade, black spokes - 660 g	.		£893.00
MG 12	<input type="checkbox"/>	Spinergy LXL Blade, Blade, white spokes - 660 g	.		£893.00
MG 15	<input type="checkbox"/>	Infinity Ultralight (not possible in combination with MG 34) - 720 g	.	.	£109.00
MG 150	<input type="checkbox"/>	Infinity Ultralight, coloured (not possible in combination with MG 34) - 720 g	.		£186.00
Colour set Infinity Ultralight/caster wheel fork			24"	25"	
<input type="checkbox"/>	Sparkle light orange		.		
<input type="checkbox"/>	Marine blue		.		
<input type="checkbox"/>	Candy red		.		
<input type="checkbox"/>	Sparkle granny-smith		.		

Tyres			24"	25"	
MG 31	<input type="checkbox"/>	Schwalbe RightRun 1"	.	.	Inclusive
MG 34	<input type="checkbox"/>	PU 1" (not possible in combination with MG 15/MG 150) + 344 g	.		Inclusive
MG 341	<input type="checkbox"/>	PU 1", black (not possible in combination with MG 15/MG 150) + 344 g	.		Inclusive
MG 37	<input type="checkbox"/>	Schwalbe Marathon Plus Evolution 1" + 374 g	.	.	£52.00
MG 371	<input type="checkbox"/>	Schwalbe Marathon Plus Evolution 1.1" + 379 g	.		£52.00
MG 200	<input type="checkbox"/>	Schwalbe ONE 1" - 226 g	.		£85.00

Handrims			24"	25"	
MG 50	<input type="checkbox"/>	Aluminium, black coated, high	.	.	Inclusive
MG 52	<input type="checkbox"/>	Aluminium, silver anodised, high - 40 g	.	.	£14.00
MG 53	<input type="checkbox"/>	Aluminium, silver anodised, low - 120 g	.		£14.00
MG 54	<input type="checkbox"/>	Rubber-coated + 500 g	.	.	£152.00
MG 56	<input type="checkbox"/>	Stainless steel, polished, high + 620 g	.	.	£59.00
MG 57	<input type="checkbox"/>	Stainless steel, polished, low + 580 g	.		£59.00
MG 63	<input type="checkbox"/>	CURVE L (anodised) + 200 g	.	.	£384.00
MG 64	<input type="checkbox"/>	CURVE L Grip for users with limited gripping function + 840 g	.	.	£415.00
MG 65	<input type="checkbox"/>	GEKKO, ergonomic handrim + 580 g	.	.	£340.00

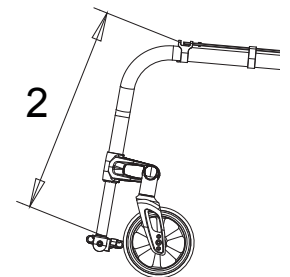
Handrim mounting					
MG 70	<input type="checkbox"/>	Mounting position narrow (15 mm)			Inclusive
MG 71	<input type="checkbox"/>	Mounting position wide (25 mm)			Inclusive

Tipping point in cm (measured parallel to the ground)									
<input type="checkbox"/> 5	<input type="checkbox"/> 6	<input type="checkbox"/> 7	<input type="checkbox"/> 8	<input type="checkbox"/> 9	<input type="checkbox"/> 10	<input type="checkbox"/> 11	<input type="checkbox"/> 12	<input type="checkbox"/> 13	<input type="checkbox"/> 14
Alternative measuring method (specification of the horizontal drive wheel position of the Avantgarde)									
<input type="checkbox"/> A	<input type="checkbox"/> B	<input type="checkbox"/> C	<input type="checkbox"/> D	<input type="checkbox"/> E	<input type="checkbox"/> F	<input type="checkbox"/> G	<input type="checkbox"/> H		
(Tick the drive wheel position of your Avantgarde, we calculate the tipping point)									

Quick-release axle system			
MG 27	<input type="checkbox"/>	Quick-release axle	Inclusive
MG 28	<input type="checkbox"/>	Quick-release axle with Tetra release	+ 158 g £161.00
Drive wheel accessories			
MG 87	<input type="checkbox"/>	High-pressure air pump, 14 bar	£114.00
MG 88	<input type="checkbox"/>	Airman pump	£173.00
Wheel locks			
MH 01	<input type="checkbox"/>	Knee lever wheel lock 4.0	Inclusive
MH 30	<input type="checkbox"/>	Knee lever wheel lock 4.0, long lever	Inclusive
MH 05	<input type="checkbox"/>	Scissor wheel lock	- 142 g £141.00
Wheel lock accessories			
MH 10	<input type="checkbox"/>	Wheel lock lever extension, fixed	+ 70 g £38.00
MH 21	<input type="checkbox"/>	Wheel lock lever extension, pluggable	+ 34 g £69.00
Back support height in cm			
<input type="checkbox"/> 25 <input type="checkbox"/> 27.5 <input type="checkbox"/> 30 <input type="checkbox"/> 32.5 <input type="checkbox"/> 35 <input type="checkbox"/> 37.5 <input type="checkbox"/> 40 <input type="checkbox"/> 42.5 <input type="checkbox"/> 45 <input type="checkbox"/> 47.5 <input type="checkbox"/> 50			
Back support system			
MD 01	<input type="checkbox"/>	Back support, straight (measured 90° to the seat tube)	Inclusive
MD 13	<input type="checkbox"/>	Back support angle according to customer request (measured 90° to the ground) <input type="checkbox"/> 0° <input type="checkbox"/> -5° <input type="checkbox"/> -10°	£102.00
Back support upholstery			
MD 03	<input type="checkbox"/>	Adaptable, padded	£54.00
MD 05	<input type="checkbox"/>	Adaptable, breathable	Inclusive
MD 18	<input type="checkbox"/>	Ultra light	£52.00
MD 06	<input type="checkbox"/>	Without	Inclusive
Back support pad widening			
MD 80	<input type="checkbox"/>	+ 2 cm	£20.00
MD 81	<input type="checkbox"/>	+ 4 cm	£20.00
MD 82	<input type="checkbox"/>	Without	Inclusive
Use of BAXX back support system (include order form, model-specific restrictions are possible)			
MD 44	<input type="checkbox"/>	BAXX aluminium back support (not mounted)	£673.00
Push handles			
MD 50	<input type="checkbox"/>	Short	Inclusive
MD 51	<input type="checkbox"/>	Long	+ 128 g Inclusive
MD 55	<input type="checkbox"/>	Height-adjustable/removable	+ 580 g £162.00
MD 56	<input type="checkbox"/>	Fold-down	+ 108 g £195.00
MD 59	<input type="checkbox"/>	Without	- 258 g Inclusive

Side panels			
ME 02	<input type="checkbox"/>	Aluminium, with splash guard and protection against cold	Inclusive
ME 04	<input type="checkbox"/>	Carbon, with splash guard	- 256 g £615.00
Seat upholstery			
MC 15	<input type="checkbox"/>	Seat upholstery with storage compartments (up to seat width 38 cm = 1 compartment; from seat width 40 cm = 2 compartments)	£41.00
MC 16	<input type="checkbox"/>	Upholstery readjustable	Inclusive
MC 18	<input type="checkbox"/>	Ultra light	£42.00
MC 06	<input type="checkbox"/>	Without	Inclusive
Seat cushions			
MC 01	<input type="checkbox"/>	Standard (thickness of cushion 5 cm)	£98.00
MC 02	<input type="checkbox"/>	Cubic Foam (thickness of cushion 5 cm)	£141.00
MC 05	<input type="checkbox"/>	Evolight (thickness of cushion 6 cm)	£201.00
MC 20	<input type="checkbox"/>	Terra (thickness of cushion 10 cm)	£188.00
MC 21	<input type="checkbox"/>	Terra Aquos (thickness of cushion 10 cm)	£226.00
MC 22	<input type="checkbox"/>	Terra Flair (thickness of cushion 10 cm)	£566.00
MC 23	<input type="checkbox"/>	Cloud (thickness of cushion 10 cm)	£553.00
MC 29	<input type="checkbox"/>	Livo (thickness of cushion 5 cm)	£84.00
MC 30	<input type="checkbox"/>	Evoflair (thickness of cushion 8 cm)	£303.00

Lower leg length in cm (without seat cushion)			
Lower leg length (LL) in cm (available setting range 28 cm – 51 cm)			
MB 130	<input type="checkbox"/>	Adjustable	Inclusive
MB 14	<input type="checkbox"/>	Firmly welded	£100.00



Leg supports (folding)			
MB 160	<input type="checkbox"/>	Single-panel, aluminium	Inclusive
MB 180	<input type="checkbox"/>	Single-panel, carbon	£150.00
Leg support accessories			
MB 70	<input type="checkbox"/>	Lock for single-panel foot plate	£86.00
Other accessories			
MZ 59	<input type="checkbox"/>	Pocket for mobile phone	£31.00
Spoke protectors			
MG 90	<input type="checkbox"/>	Spoke protector, transparent	£146.00
MG 100	<input type="checkbox"/>	Spoke protector, Graphics decor	£210.00
MG 101	<input type="checkbox"/>	Spoke protector, Miracle decor	£210.00
MG 102	<input type="checkbox"/>	Spoke protector, Network decor	£210.00
MG 103	<input type="checkbox"/>	Spoke protector, Robots decor	£210.00
MG 104	<input type="checkbox"/>	Spoke protector, Spectrum decor	£210.00

Frame colours			
001	<input type="checkbox"/>	Brilliant silver	Inclusive
002	<input type="checkbox"/>	Anthracite metallic	Inclusive
003	<input type="checkbox"/>	Jet black RAL 9005	Inclusive
004	<input type="checkbox"/>	Ice blue	Inclusive
005	<input type="checkbox"/>	Sparkle light orange	Inclusive
009	<input type="checkbox"/>	Vinho sparkle	Inclusive
010	<input type="checkbox"/>	Marine blue	Inclusive
012	<input type="checkbox"/>	Sky blue	Inclusive
048	<input type="checkbox"/>	Jet black matte (structure)	Inclusive
014	<input type="checkbox"/>	Candy red	Inclusive
021	<input type="checkbox"/>	Sparkle granny smith	Inclusive
023	<input type="checkbox"/>	White RAL 9016	Inclusive
027	<input type="checkbox"/>	Shimano matte	Inclusive

Special accessories			
MZ 52	<input type="checkbox"/>	Tool kit	£63.00
MZ 58	<input type="checkbox"/>	Bag for drive wheels (for 2 drive wheels up to 28")	£110.00
MZ 89	<input type="checkbox"/>	Quick-release axle protection	£10.00
MZ 92	<input type="checkbox"/>	Wheelblades (Mini-skis for caster wheels)	£429.00
MZ 93	<input type="checkbox"/>	Backpack	£62.00

Information



MG 06 Hollow rim



MG 10 Spineray SPOX



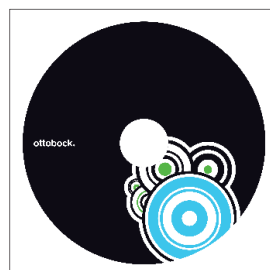
MG 11 Spineray LX



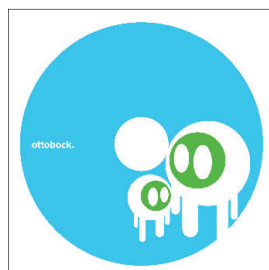
MG 15 Infinity Ultralight



MF 35/36/37 4/5/6" soft
caster



MG 100 Graphic



MG 103 Robots



MG 104 Spectrum