

 Seating manual

 Manuel d'utilisation du système d'assise

 Handleiding zitting

000690790.02

Sedeo Pro

Instructions for Use
Manuel d'utilisation
Gebruikershandleiding



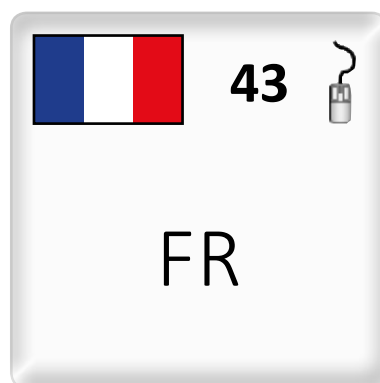
We at SUNRISE MEDICAL have been awarded the ISO-13485 certificate, which affirms the quality of our products at every stage, from R & D to production. This products meet the requirements in accordance with EC guidelines. Options or accessories shown are available at extra cost.



Nous, la société SUNRISE, sommes certifiés ISO 13485, ce qui garantit la qualité de nos produits à tous les stades, du développement jusqu'à la production. Ce produit est conforme aux directives de la Communauté européenne. Les options ou accessoires illustrés sont disponibles en option.



SUNRISE MEDICAL heeft het ISO 13485 certificaat toegekend gekregen, een bewijs van de kwaliteit van onze processen in elk stadium, vanaf het onderzoek en de ontwikkeling tot de productie. Deze producten voldoen aan de eisen in overeenstemming met de EG-richtlijnen. Getoonde opties en accessoires zijn tegen betaling verkrijgbaar.



If you have any queries about the use, maintenance or safety of your seating system, please contact your local approved Sunrise Medical service agent. If you do not know of an approved dealer in your area or have any other questions please write or telephone:

Sunrise Medical

Thorns Road

Brierley Hill

West Midlands

DY5 2LD

England

Phone: 0845 605 66 88

Fax: 0845 605 66 89

www.SunriseMedical.co.uk

Dealer signature and stamp

Contents

1.0 User information.....	5
1.1 This user manual	5
1.2 For further information	5
1.3 Symbols used in this manual.....	5
2.0 Safety.....	6
2.1 Seating related symbols and labels used on the product	6
2.2 Safety: Temperature	6
2.3 Safety: Moving parts.....	6
2.4 Safety: Choking hazard	6
2.5 Safety: Trays	7
3.0 General description.....	7
4.0 Setting up the seating system.....	8
4.1 Pre-set seat depth	8
4.2 Pre-set seat width.....	9
4.3 Pre-set backrest.....	10
4.4 Pre-set Flip back armrests / Single post removable armrests.....	12
4.5 Pre-set Reclining flip back armrests	15
4.6 Side guard	16
4.7 Pre-set single post SEDEO Lite armrests	16
4.8 Pre-set center mount legrest	17
4.9 Pre-set Fixed center mount legrest.....	18
4.10 Pre-set power center mount legrest.....	19
4.11 Pre-set swing away legrests	20
4.12 Pre-set headrest	21
4.13 Pre-set fixed / swing away controller bracket.....	22
4.14 Pre-set thigh support	23
4.15 Pre-set laterals.....	24
4.16 Pre-set lateral swing away knee support	25
4.17 Pre-set pommel	25
4.18 Lap strap / seating positioning belt.....	26
5.0 Using the seating system.....	27
5.1 Getting in and out of the wheelchair (Transferring)	27
5.2 Preparing for forward transfer	27
5.3 Preparing for side transfer	28
5.4 Headrest	29
5.5 Swing-away controller bracket.....	29
5.6 Laterals (Fig 5.11)	29
5.7 Knee support (Fig 5.12).....	30
5.8 Thigh support (Fig. 5.13)	30
5.9 Hemiplegia armrest (Fig 5.14).....	30
5.10 Push handle height (Fig 5.15).....	30
5.11 Pommel (Fig 5.16)	30
6.0 Manual and Powered seating options	31
6.1 Manual seating options	31
6.2 (Powered) seating options	32
7.0 Reducing the seating system size for transportation purposes	33
7.1 Seat cushion	33
7.2 Removing the back cushion (Fig 7.3)	33
7.3 Flip down backrest quick release (Fig 7.4).....	34
7.4 Folding down backrest with reclining armrests (Fig 7.5).....	34
7.5 Folding down reclining backrest with reclining armrests (Fig 7.6).....	34
7.6 Swing away legrests (Fig 7.7).....	35
7.7 Single post removable armrest	35
8.0 Maintenance and cleaning	36
8.1 General Maintenance.....	36
8.2 Cleaning your seating system.....	36
8.3 Hygiene measures when being re-used:.....	36
8.4 General cleaning instructions:	37
8.5 Cleaning Accessories:	37
8.6 Cleaning controls:.....	37
8.7 Storage.....	37
9.0 Disposal	38
10.0 Technical specifications:	39
10.1 Applicable norms / standards	39
10.2 Technical specifications: SEDEO Pro seating system	40
11.0 Guarantee / Warranty.....	42

1.0 User information




Thank you for choosing a Sunrise Medical wheelchair. Sunrise Medical's high-quality mobility products are designed to enhance independence and make your everyday life easier.

1.1 This user manual

This user manual will help you to use and maintain your seating system safely. This seating manual is a supplement to Sunrise Medical's general wheelchair user manual:

- The general wheelchair user manual
- The user manual for the seating system (this booklet)
- The user manual for the controller.

When necessary this Seating user manual refers to other manuals as shown below:

- | | |
|---|---|
|  General manual: | Refers to the general user manual for the wheelchair. |
|  Controller: | Refers to the user manual for the controller. |
|  Battery charger: | Refers to the user manual for the battery charger. |

Do not use your wheelchair until this entire manual (and all other booklets) has been read and understood!

If one of the user manuals was not included with your wheelchair, please contact your dealer immediately. In addition to this user manual, there is also a service manual for qualified specialists.

1.2 For further information

Please contact your local, authorized Sunrise Medical dealer if you have any questions regarding the use, maintenance or safety of your wheelchair. In case there is no authorized dealer in your area or you have any questions, contact Sunrise Medical either in writing or by telephone.

For information about product safety notices and product recalls, go to www.SunriseMedical.eu

1.3 Symbols used in this manual

 **DANGER/WARNING!**

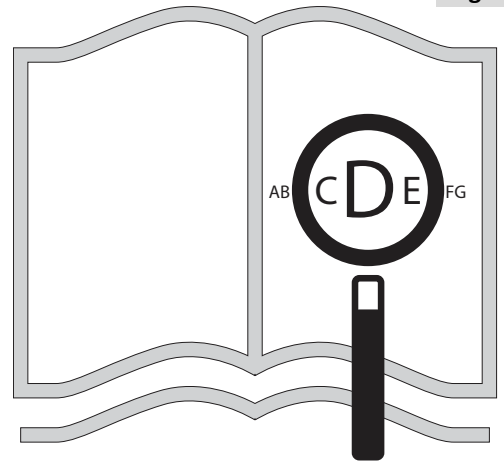
Potential risk of injury or serious injury or death

 **NOTE/CAUTION!**

Potential damage to equipment.

Not following these instructions may result in physical injury, damage to the product or damage to the environment!

Fig. 1.1



If you are visually impaired,
this document can be viewed
in PDF format at
www.SunriseMedical.com



or alternatively is available on
request in large text.



2.0 Safety

Follow the instructions carefully next to these warning symbols! Not paying careful attention to these instructions could result in physical injury or damage to the wheelchair or the environment. Wherever possible, safety information is provided in the relevant chapter.

2.1 Seating related symbols and labels used on the product

The signs, symbols and instructions affixed to the wheelchair comprise part of the safety facilities. They must never be covered or removed. They must remain present and clearly legible throughout the entire lifespan of the wheelchair.

Replace or repair all illegible or damaged signs, symbols and instructions immediately. Please contact your dealer for assistance.

Fig 2.1: Warning – Danger of finger entrapment

Fig 2.2: Warning – Ensure that the seat interface quick release is screwed in tight before using your wheelchair, especially on a slope

Fig 2.3: Warning – Do not drive your wheelchair on a slope with the backrest reclined and/or the seating in standing mode

2.2 Safety: Temperature

DANGER! / WARNING!

- Avoid physical contact with the wheelchair's motors at all times. Motors are continuously in motion during use and can reach high temperatures. After use, the motors will cool down slowly. Physical contact could cause burns. Allow the motors after using at least 30 min. to cool down.
- If you do not use the wheelchair, ensure that it is not exposed to direct sunlight for lengthy periods of time. Certain parts of the wheelchair, such as the seat, the back and the armrests can become hot if they have been exposed to full sunlight for too long. This may cause burns or allergic reactions to the skin.

2.3 Safety: Moving parts

DANGER! / WARNING!

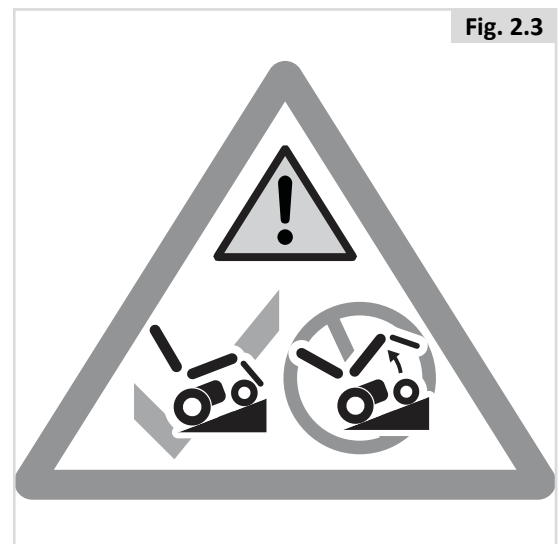
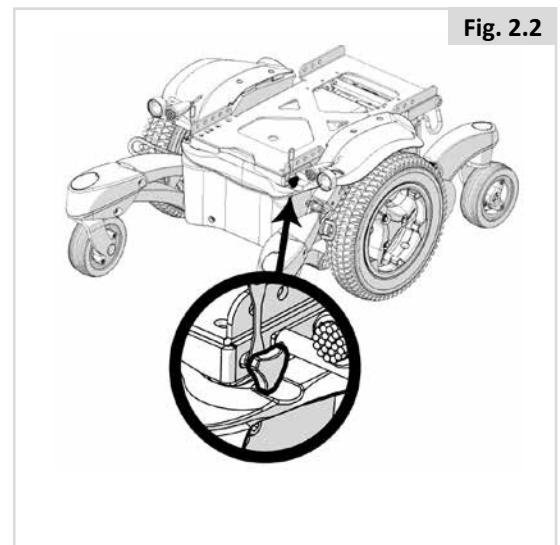
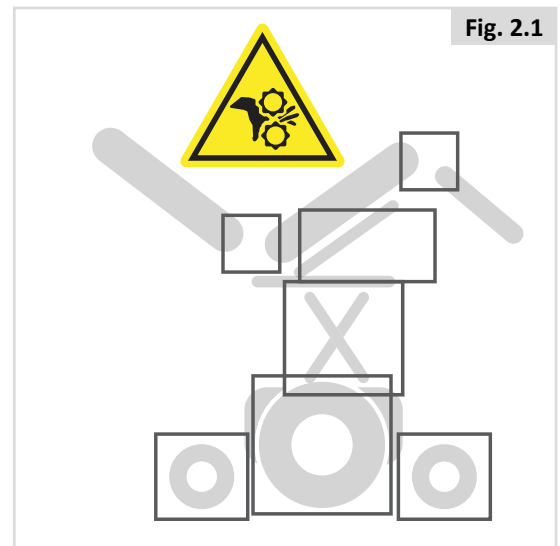
A wheelchair has moving and rotating parts. Contact with moving parts may result in serious physical injury or damage to the wheelchair. Contact with the moving parts of the wheelchair should be avoided.

- Wheels (turning and castor)
- Powered tilt in space adjustment
- Powered seat elevator option
- Powered recline adjustment
- Swing-away bracket of the controller

2.4 Safety: Choking hazard

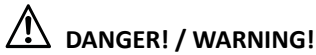
DANGER! / WARNING!

This mobility aid uses small parts which under certain circumstances may present a choking hazard to young children.



2.5 Safety: Trays

Safety: Vent tray

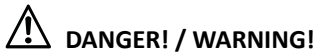


DANGER! / WARNING!

Using a vent tray will affect the stability and overall weight of your wheelchair.

- Make sure that the batteries and the ventilator are securely fastened to the tray before use.
- Familiarise yourself with the increased size of the wheelchair before driving to prevent potential collisions.
- When activating the recline backrest make sure that the area around the vent tray is clear.
- Be aware that the vent tray assembly can cause a finger trap hazard when the backrest is reclined.
- The vent tray is not designed to hold anything other than the vent unit and its batteries, it is not designed to hold an oxygen bottle etc. Use of these items may cause your wheelchair to become unstable.
- The vent tray must be installed and maintained by a Sunrise Medical authorised dealer.

Safety: Swing away tray:



DANGER! / WARNING!

- The maximum weight allowed for the tray is 2.5kg.
- Do not overload the tray, this could cause the tray to break or could cause the chair to become unstable.
- Do not leave lit cigarettes or other heat sources on the tray as this could cause the tray to deform and mark.
- Ensure that all extremities and clothing are clear when positioning the tray for use.

3.0 General description

This wheelchair is equipped with Sedeo Pro seating system. The Sedeo Pro seating system provides excellent support for the head, torso, arms and legs. Optimal body support ensures maximum independence for the wheelchair user.

The wheelchair must be adjusted by a qualified specialist. Incorrect settings may have negative consequences for the seating posture.

Main components (Fig. 3.1):

1. Headrest
2. Joystick
3. Armrest
4. Seat cushion
5. Leg rest
6. Backrest cushion

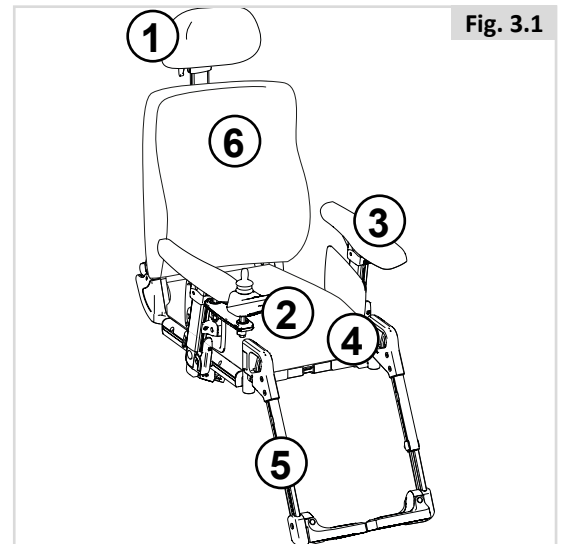


Fig. 3.1

4.0 Setting up the seating system

The average wheelchair user does not exist. This is why Sunrise Medical wheelchairs can be pre-set according to specific needs of the user.

Pre-settings are carried out once, the first time the wheelchair is going to be used. They must be executed by qualified specialist, unless explicitly stated otherwise.

Tool and calibration marks

A M5 Allen key is supplied with the seating system. This can be used by a professional for adjusting all of the seating system settings. The M5 Allen key (A) can be found on the frame at the location indicated in figure 4.1.

⚠ NOTE / CAUTION!

There are calibration marks on various parts of the seating system. The ex-factory settings are indicated.

4.1 Pre-set seat depth

Backrest frame depth (Fig 4.2):

1. Loosen (A) by one turn.
2. Adjust (B) to the desired position.
3. Tighten (A).

⚠ NOTE / CAUTION!

- When a bigger seat depth is required ensure that the cables are lengthened before the mechanical adjustment takes place.
- There are 2 sizes seat rail/seat plates available: 400-520 and 460-560 mm. Choose the right seat rail to match the adjusted seat depth.
- Mount extra seat depth mounting plate from SD 530 mm for more stability of the long seat rail Fig 4.3.

Seat cushion depth (Fig 4.4)

For the standard seat cushion position use the holes in Fig 4.4. The cushion can be positioned one position more to the front to create extra seat depth.

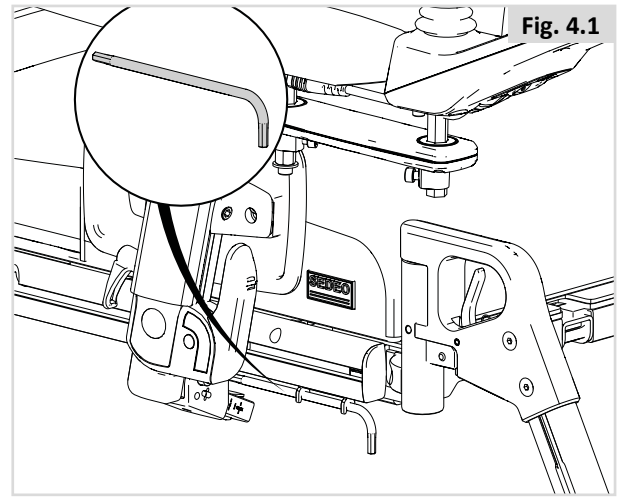


Fig. 4.1

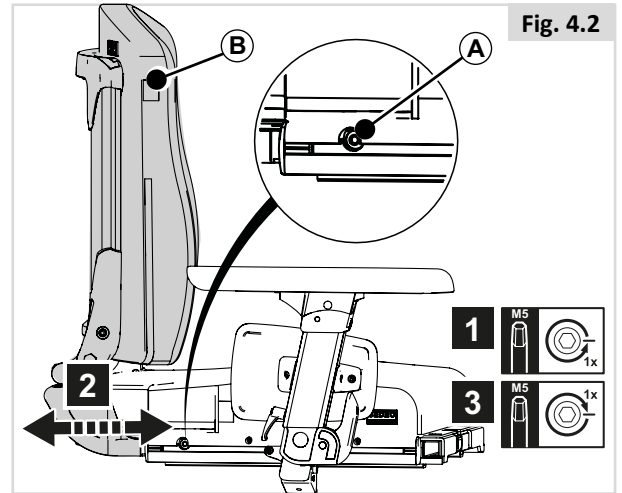


Fig. 4.2

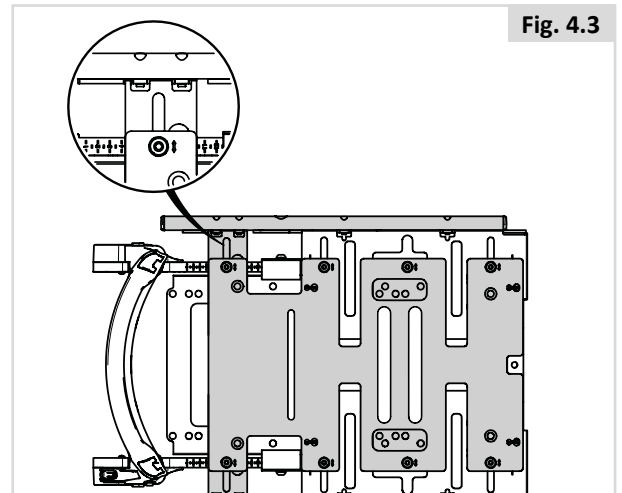


Fig. 4.3

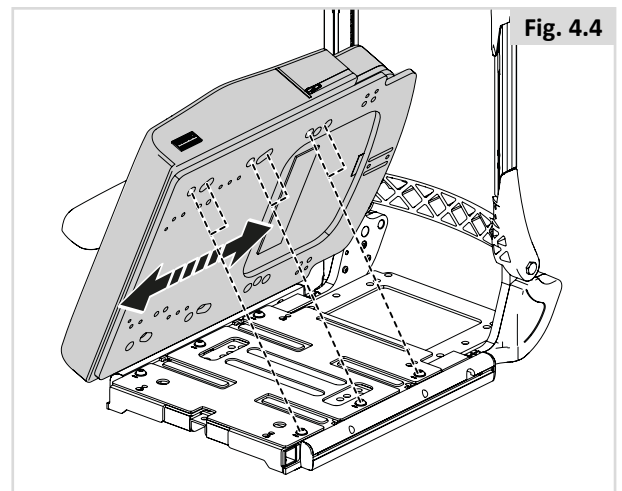


Fig. 4.4

4.2 Pre-set seat width

Flip back armrests / Single Post Removable armrests width (Fig. 4.5)

Fine adjustments can be done with the armrest only, for larger adjustments also pre-set the seat plate width.

1. Loosen (A) by one turn.
2. Adjust (B) to the desired position.
3. Tighten (A).

NOTE / CAUTION!

- Please check that the new arm rest position does not interfere with any seat positioning.

Reclining flip back armrest width (Fig. 4.6)

1. Remove 2 (A) screws
2. Adjust (B) to desired position
3. Tighten (A)

NOTE / CAUTION!

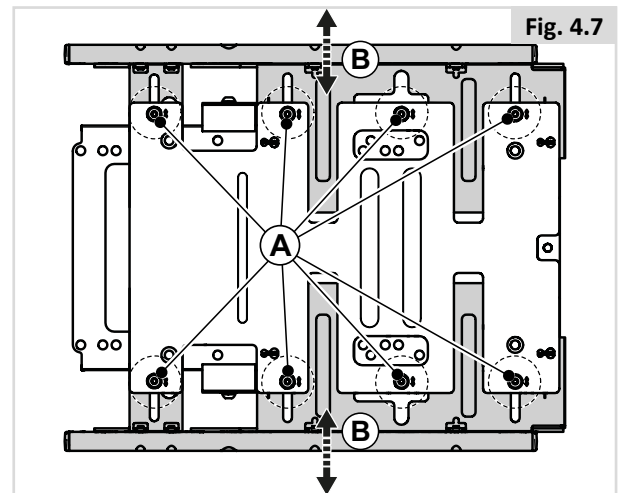
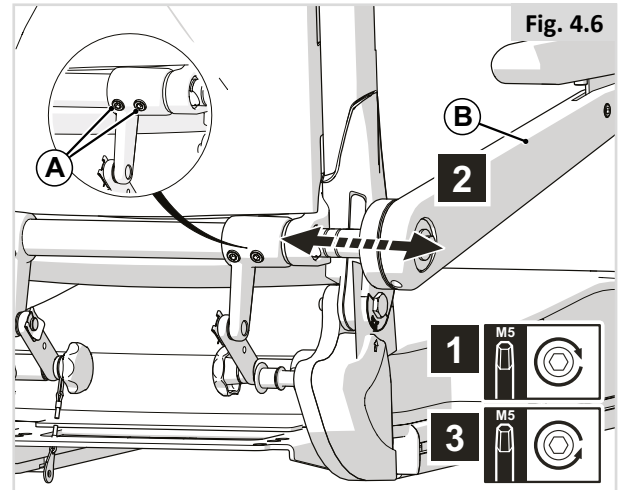
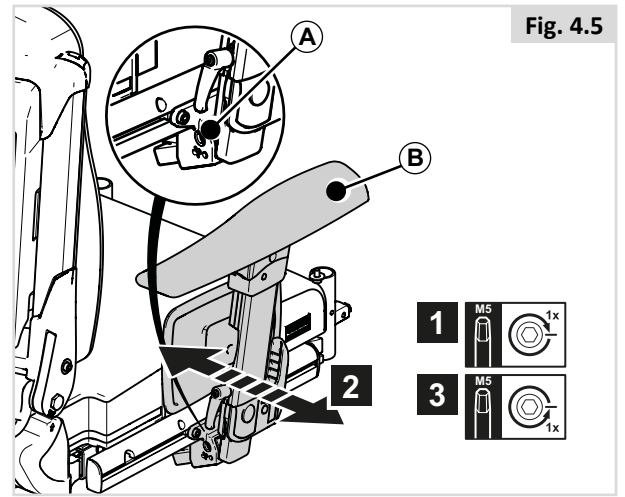
- Please check that the new armrest position does not interfere with any seat positioning. If cables are attached, check the length.

Seat plate width (Fig. 4.7)

Lift the seat cushion off the Velcro® strips to access the seat plates.

1. Loosen (A) by one turn.
2. Adjust (B) to the desired position.
3. Tighten (A).

The seat width is indicated by the scale that runs alongside each slot.



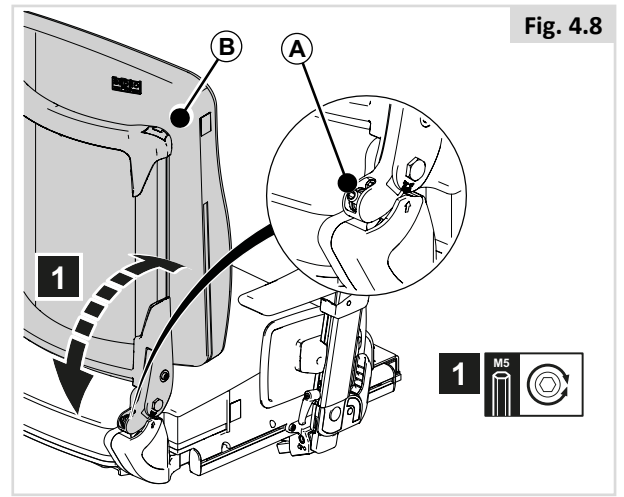
4.3 Pre-set backrest

Backrest angle (Fig 4.8)

1. Turn (A) in order to adjust (B).

⚠ NOTE / CAUTION!

Do NOT use an electric tool for this adjustment.

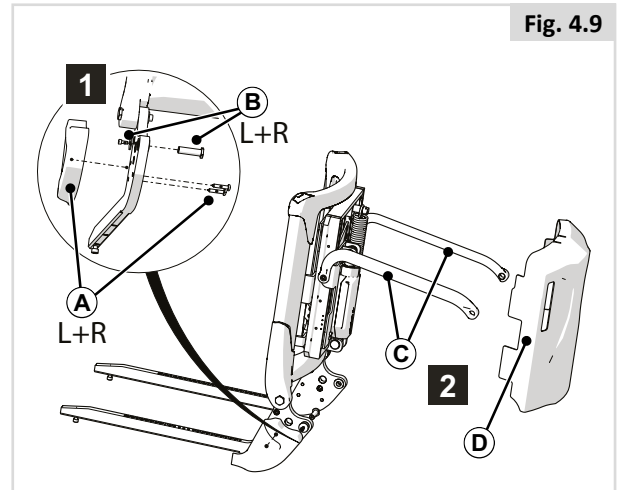


Backrest angle home position of reclining back (Fig.4.9 - 4.10)

1. Remove bolts (A+B) and rotate (C).
2. Remove cover (D)
3. Remove 2 screws to remove actuator cover (E).
4. Loosen (F) by one turn.
5. Adjust to the desired position.
6. Tighten (F).

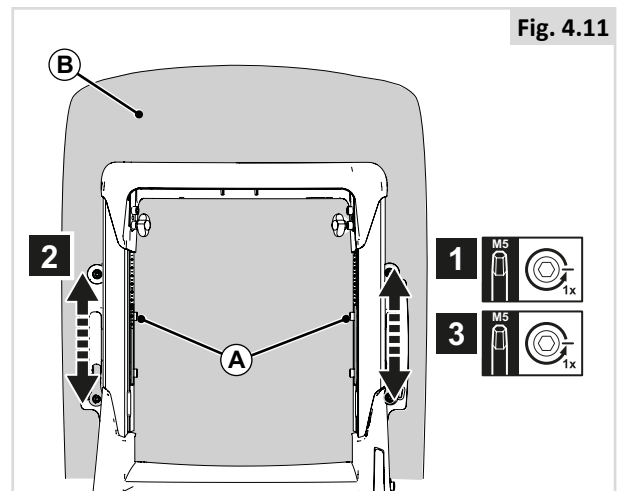
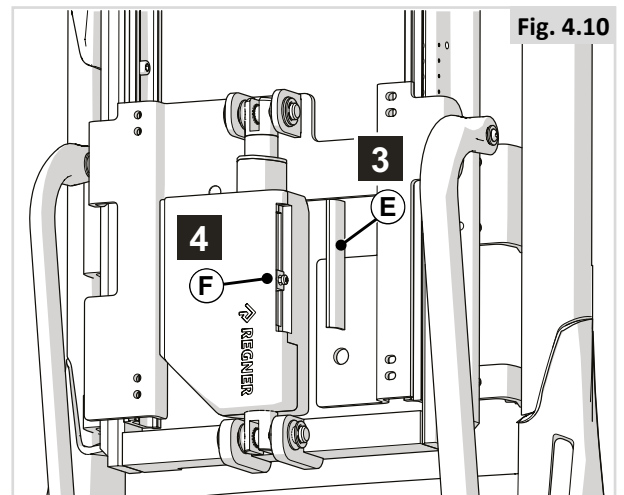
⚠ NOTE / CAUTION!

After removing bolt (B) the backrest must be held, otherwise it would fall forwards or backwards.



Backrest height with fixed back (Fig 4.11)

1. Loosen (A) by one turn.
2. Adjust (B) to the desired position.
3. Tighten (A).



Backrest height with reclining back (Fig 4.12)

1. Loosen (A) by one turn.
2. Adjust (B) to the desired position.
3. Tighten (A).

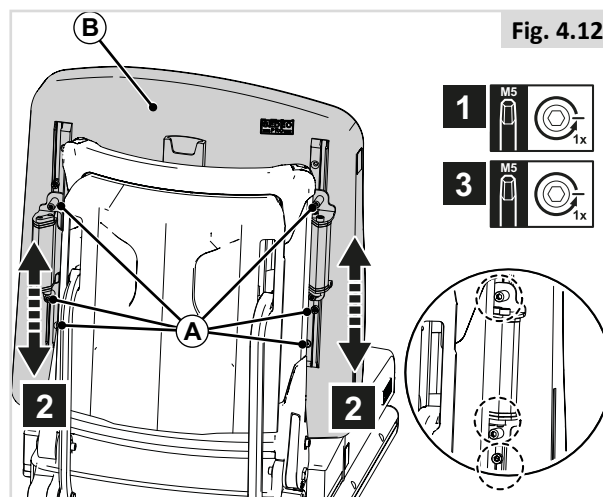


Fig. 4.12

Backrest Flexible lateral support angle (Fig 4.13)

1. Loosen (A) by one turn.
2. Adjust (B) to the desired position.
3. Tighten (A).

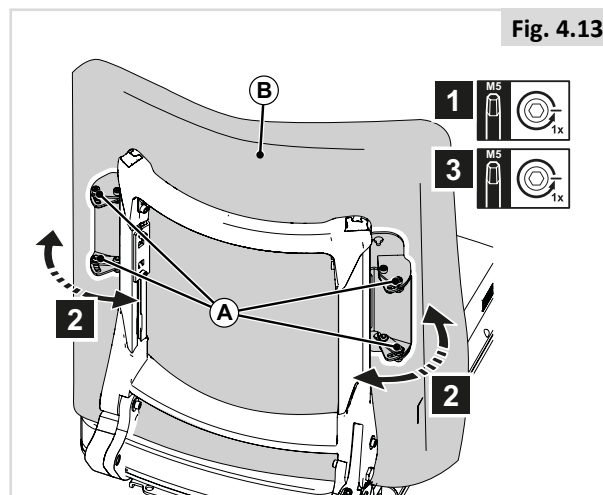


Fig. 4.13

Backrest Flexible curvature (Fig 4.14)

The wheelchair has a padded backrest that can be adjusted to the curvature of the back in order to achieve a comfortable sitting position and good stability. The user can sit in the wheelchair when adjustments are being made to the curvature of the backrest.

1. Open zipper
2. Press A to release strap
3. Release or tighten each strap individually
4. Release A to keep the setting of the strap

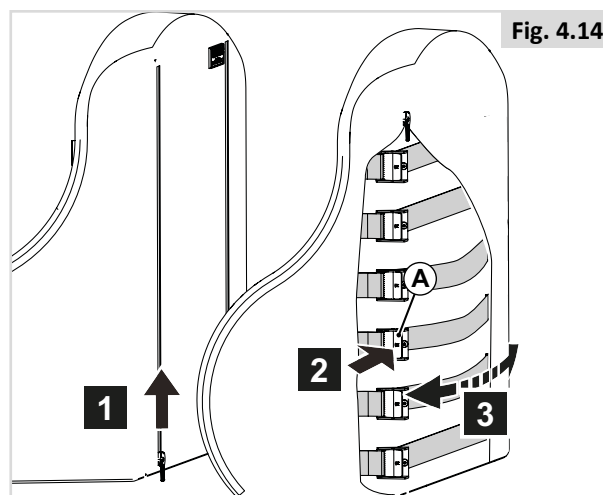



Fig. 4.14

J3 Back (Fig 4.15)

 NOTE: The Jay 3 Backrest can be used in conjunction with the Sedeo Pro seating system. Please refer to the J3 Back Owner's Manual for fitting and adjustment.

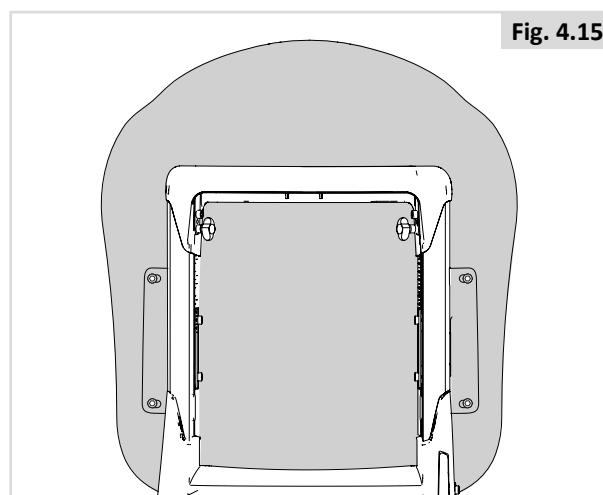


Fig. 4.15

4.4 Pre-set Flip back armrests / Single post removable armrests

Armrest height (figure 4.16)

1. Loosen (A) by one turn.
2. Adjust (B) to the desired position.
3. Tighten (A).

Ensure that the arms are supported well, without the shoulders being pushed upwards.

Armrest depth (figure 4.17)

1. Loosen (A) by one turn.
2. Adjust (B) to the desired position.
3. Tighten (A).

Position the Flip back armrest further back in order to obtain more space for side wards transfers. Position the armrest further to the front to obtain more support for forward transfers.

Armrest pad depth (figure 4.18)

1. Loosen (A) by one turn.
2. Adjust (B) to the desired position.
3. Tighten (A).

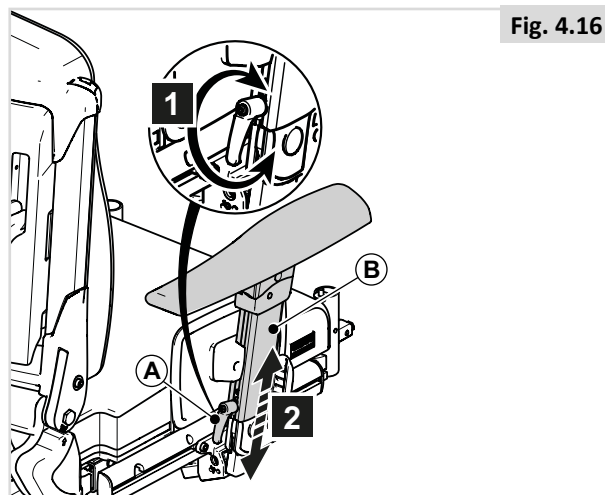


Fig. 4.16

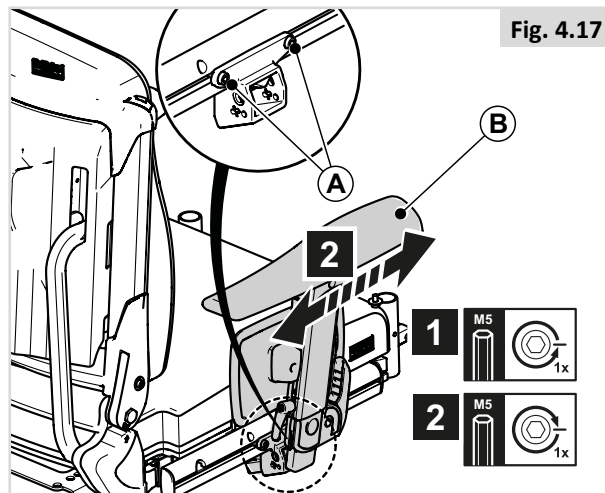


Fig. 4.17

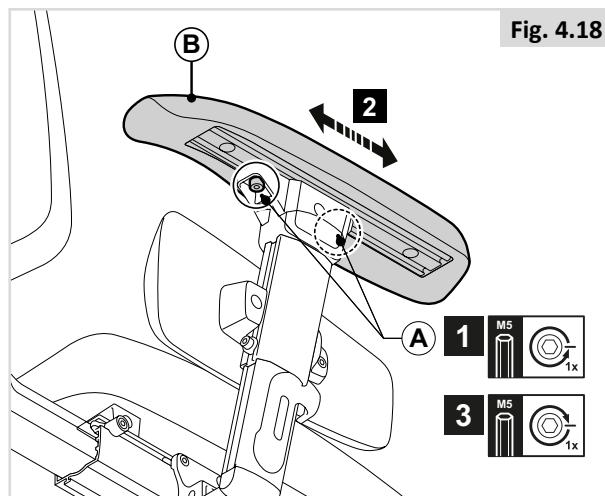


Fig. 4.18

Armrest pad width (figure 4.19-4.22)

To remove:

1. Loosen (A).
2. Remove (B).
3. Loosen (E) by one turn.
4. Remove (F).

To position:

1. Slide (A) together with B or C onto D

⚠ NOTE / CAUTION!

Ensure that the ridge on the terminal block falls into the opening

1. Adjust the depth of (A) and tighten (E).
2. Position the controller bracket.
3. Position the armrest.

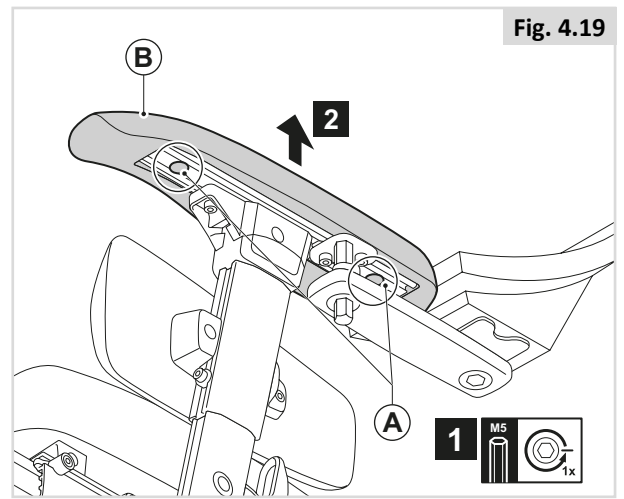


Fig. 4.19

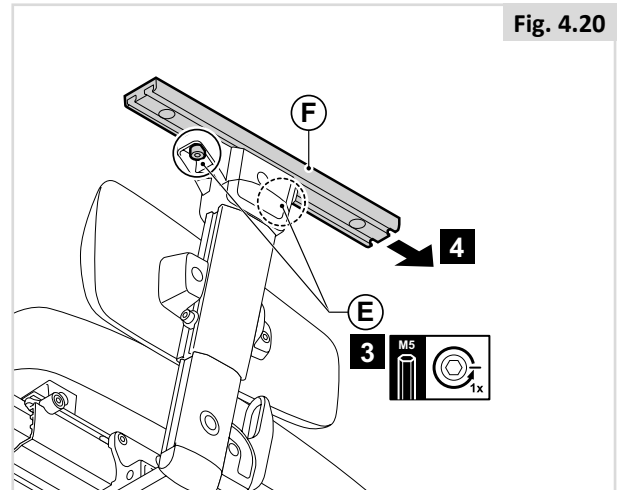


Fig. 4.20

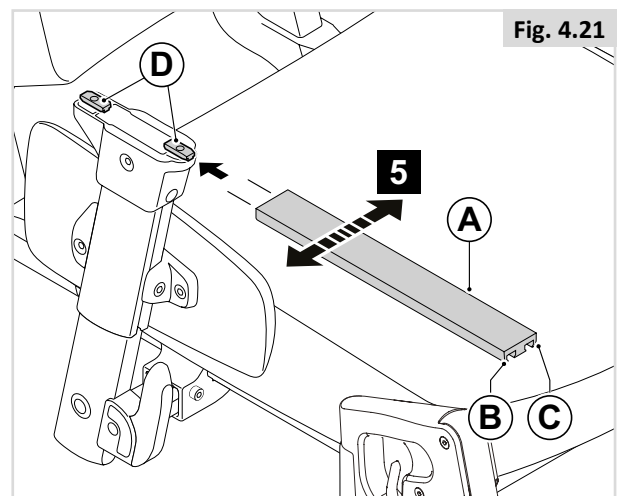


Fig. 4.21

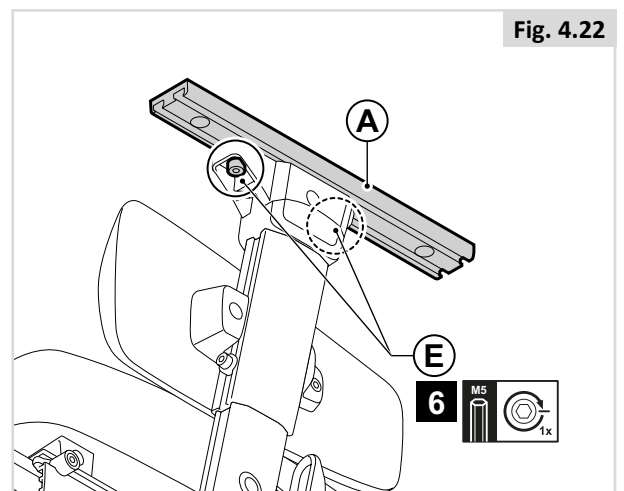


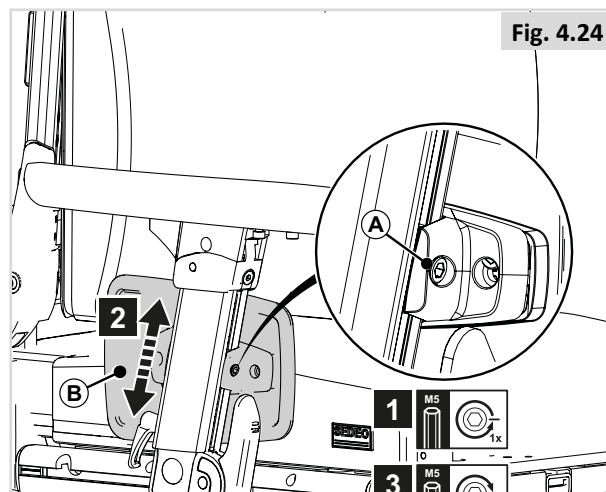
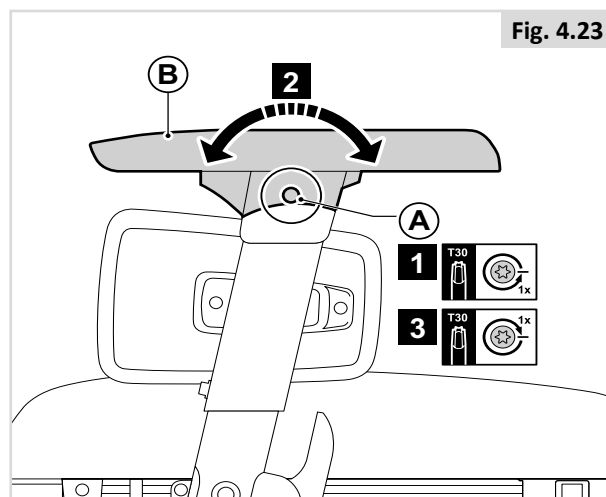
Fig. 4.22

Armrest angle (figure 4.23)

1. Loosen (A) by one turn.
2. Adjust (B) to the desired position.
3. Tighten (A).

Side guard height (figure 4.24)

1. Loosen (A) by one turn.
2. Adjust (B) to the desired position.
3. Tighten (A).



4.5 Pre-set Reclining flip back armrests

Armrest height

Fine or gross adjustment it is a two-part process:

PART 1 (Fig. 4.25)

1. Turn (A) in order to adjust (B).

PART 2 (Fig. 4.26)

1. Loosen (A) by one turn
2. Adjust (B) to the desired position.
3. Tighten both screws again

Armrest pad depth (Fig.4.27)

1. Loosen (A) by one turn.
2. Adjust (B) to the desired position.
3. Tighten (A).

NOTE

In order to reach the rear screw in lower armrest heights, loosen screws (A) of Fig 4.24 and adjust the angle of the pad first.

 **DANGER! / WARNING!**

All screws should be checked periodically for tightness. A loose arm pad could slip down when pressed.

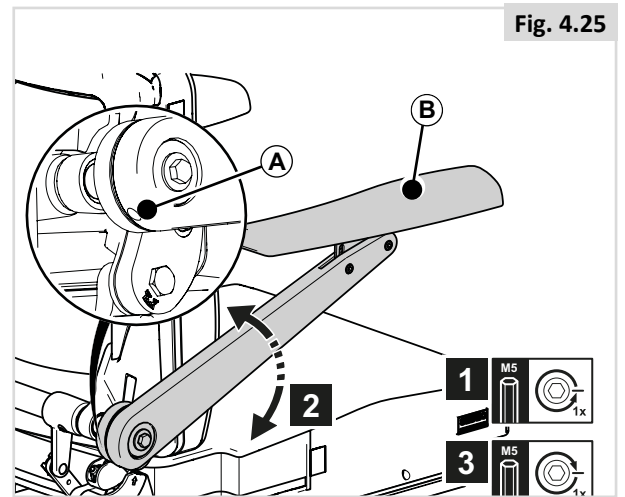


Fig. 4.25

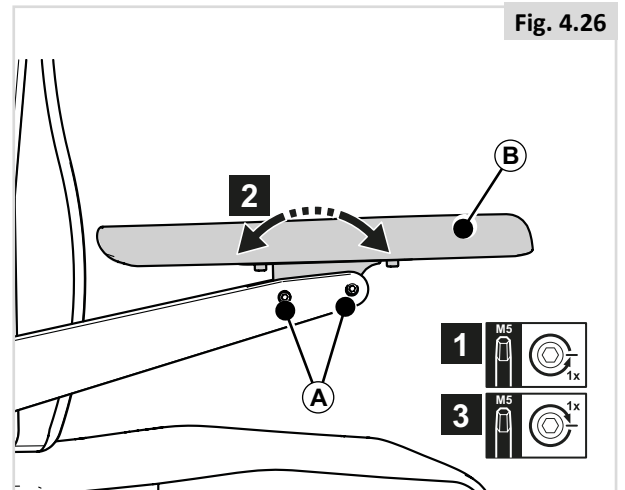


Fig. 4.26

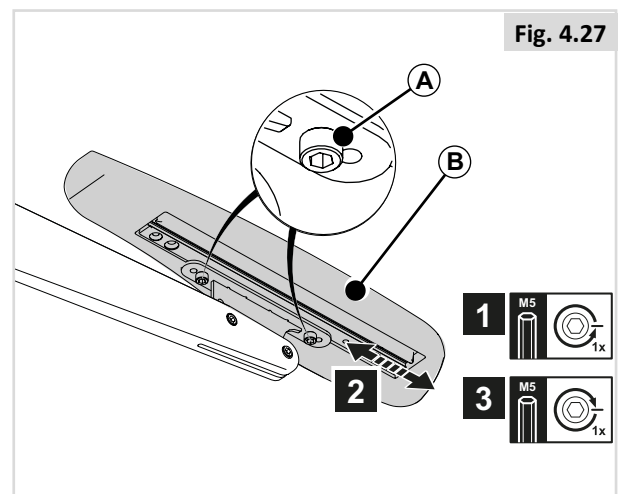


Fig. 4.27

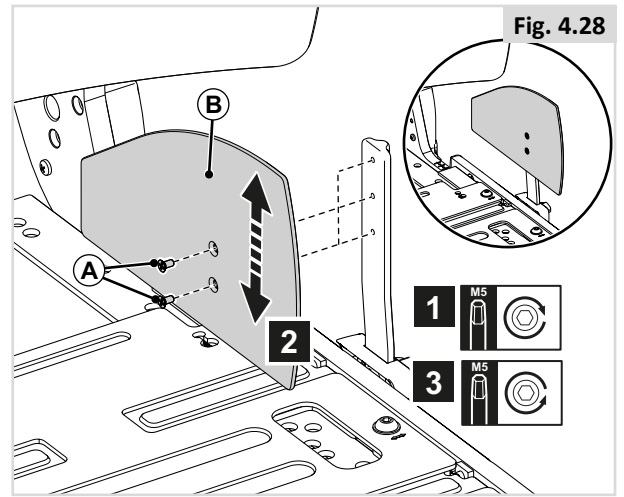
4.6 Side guard

Side guard height (Fig 4.28)

1. Unscrew (A).
2. Adjust (B) to the desired position.
3. Tighten (A).

Side guard depth (Fig 4.29)

1. Loosen (A) by one turn.
2. Adjust (B) to the desired position.
3. Tighten (A).



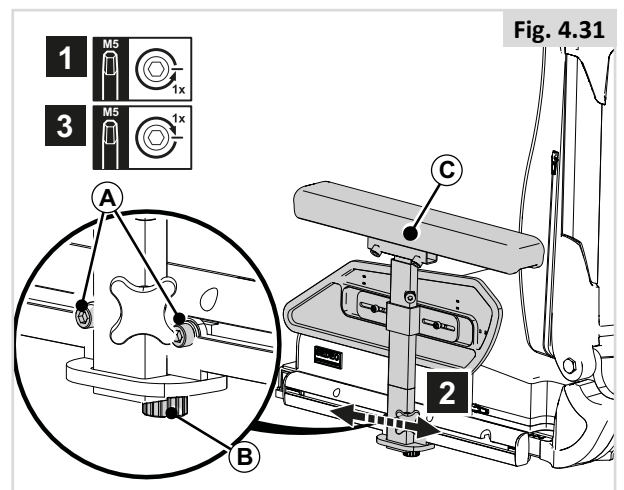
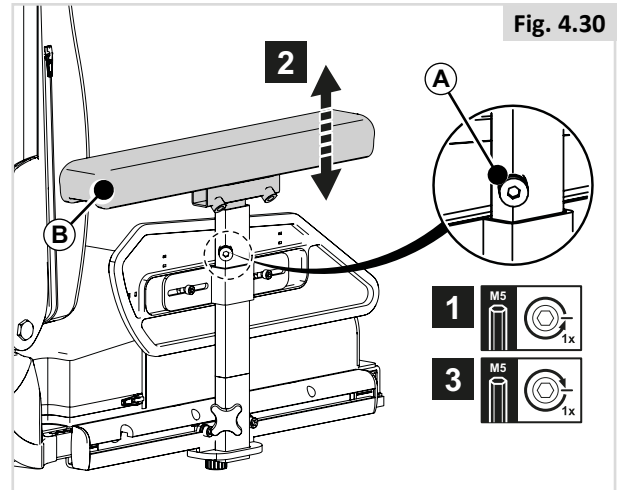
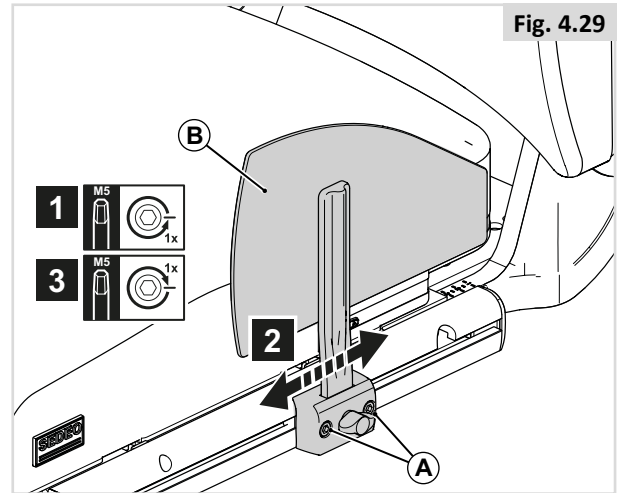
4.7 Pre-set single post SEDEO Lite armrests

Armrest height (Fig 4.30)

4. Loosen (A) by one turn.
5. Adjust (B) to the desired position.
6. Tighten (A).

Armrest depth (Fig 4.31)

1. Loosen (A) by one turn.
2. Loosen (B)
3. Adjust (C) to the desired position.
4. Tighten (A) and (B).



4.8 Pre-set center mount legrest

Lower leg length (Fig 4.32)

5. Loosen (A) by one turn.
6. Adjust (B) to the desired position.
7. Tighten (A).

 **NOTE / CAUTION!**

Ensure that there is sufficient free space under (B) for the wheelchair to drive over obstacles.

Knee angle (Fig 4.33)

1. Loosen (A) by two turns.
2. Adjust (B) to the desired position.
3. Tighten (A).

 **NOTE / CAUTION!**

Change the height or knee angle if the footplate touches the castor wheels.

Ankle angle (Fig 4.34)

1. Flip up (A).
2. Turn (B) in order to adjust the ankle angle as desired.
3. Fold (A) down.

Central calf support height (Fig 4.35)

1. Loosen (A) by one turn.
2. Adjust (B) to the desired position.
3. Tighten (A).

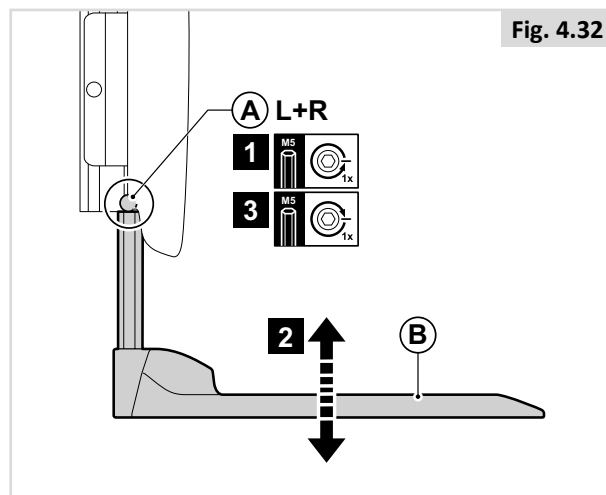


Fig. 4.32

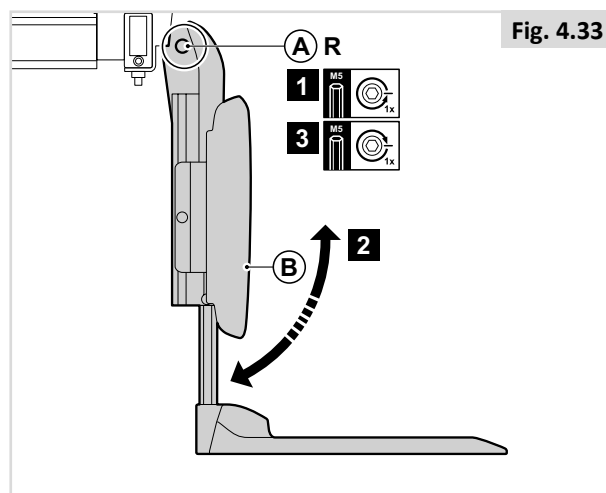


Fig. 4.33

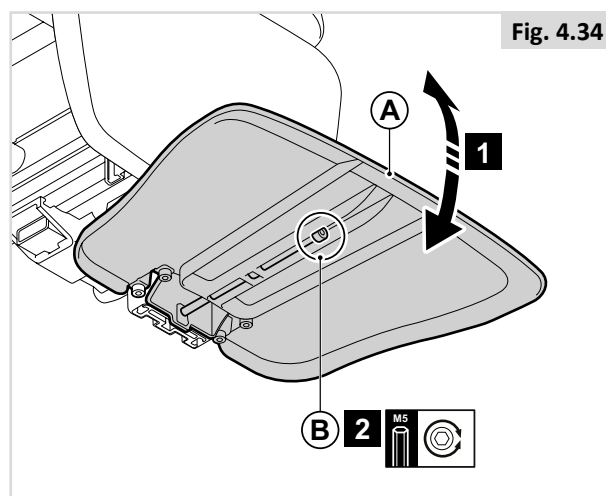


Fig. 4.34

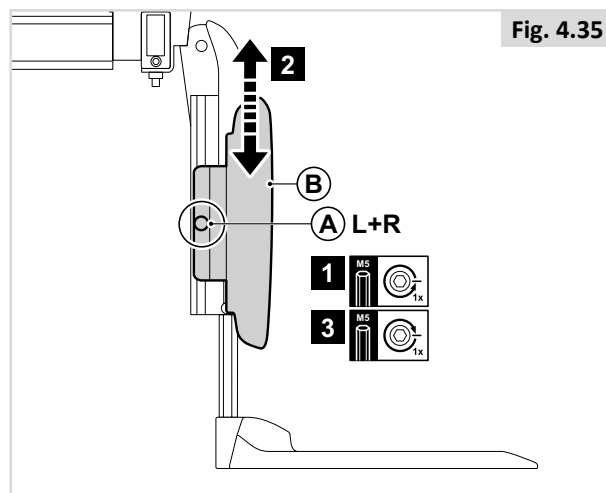
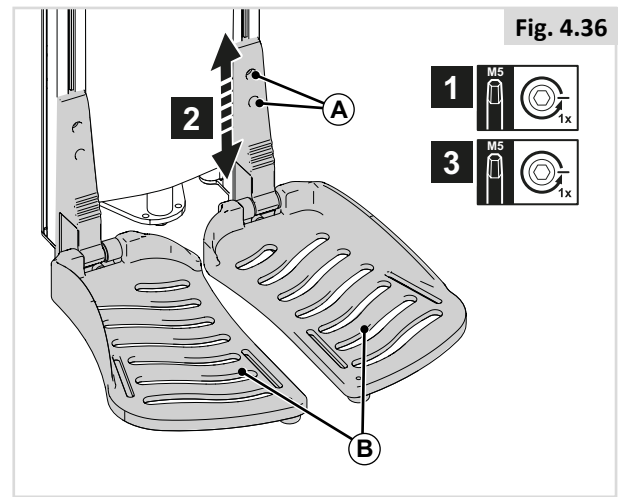


Fig. 4.35

4.9 Pre-set Fixed center mount legrest

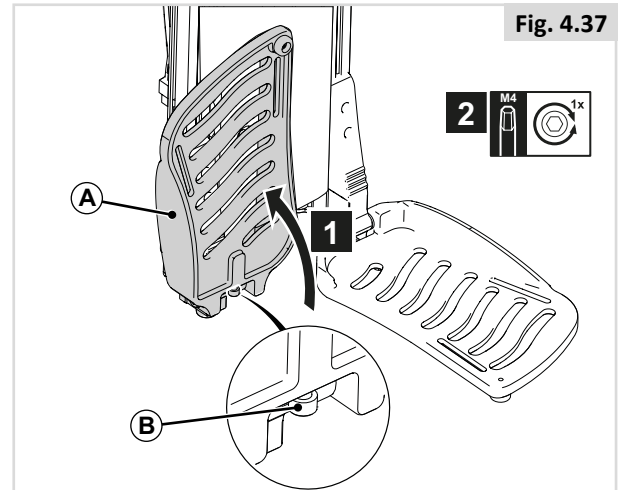
Lower leg length (Fig 4.36)

1. Loosen (A) by one turn
2. Adjust (B) to the desired position
3. Tighten (A)
4. Repeat for the other side.



Ankle angle (Fig 4.37)

1. Flip up (A).
2. Turn (B) in order to adjust the ankle angle as desired (4 mm Allen key)
3. Fold (A) down.



DANGER! / WARNING!

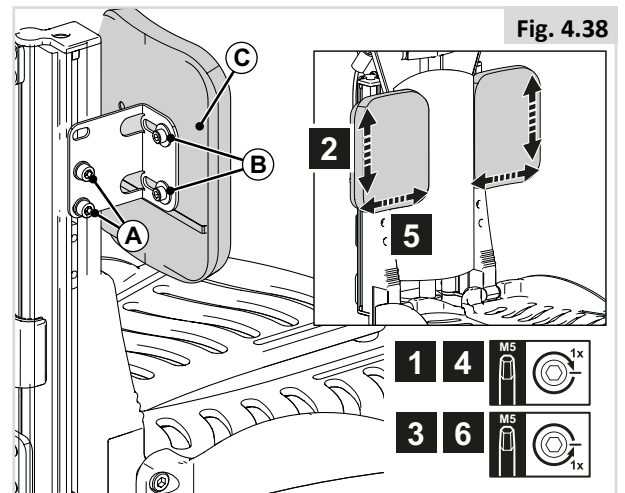
- After adjustment and with the seat in its normal drive position: Ensure there is a gap of (>25 mm.), between the floor and the footplate at all times.
- Perform this test with the user sitting in the chair loading the legrest
- Using the chair with the legrest set too low might result in personal injury or damage to the wheelchair and its surroundings.

Calf pad height (Fig 4.38)

1. Loosen (A) by one turn.
2. Adjust (C) to the desired position.
3. Tighten (A).

Calf pad width (Fig 4.38)

4. Loosen (B) by one turn.
5. Adjust (C) to the desired position.
6. Tighten (B).



4.10 Pre-set power center mount legrest

⚠ DANGER! / WARNING!

- Be aware of your environment to make sure you do not injure your legs when Leg Rests are extended.
- Always ensure that the Leg Rests or foot plates do not come into contact with the castors before driving the wheelchair.
- Leg Rests are not to be used for lifting or carrying the wheelchair under any circumstances.
- As with all moving parts be careful not to trap your fingers, (Fig.4.39).

Lower leg length (Fig 4.40)

The power centre mount legrest allows angle adjustment from 90° to 180° level to ground and a 180 mm powered length extension.

1. Loosen (A) by one turn.
2. Adjust (B) to the desired position.
3. Tighten (A).
4. Repeat for the other side.

⚠ NOTE / CAUTION!

In case of optional 'Footplate to the floor' function (Fig. 4.41), a switch is mounted. The switch (A) needs to be adjusted in height after adjusting the lower leg length. Make sure the ball of the switch is completely under the lowest edge of the footrest (B).

Ankle angle (Fig 4.42)

1. Flip up (A).
2. Turn (B) in order to adjust the ankle angle as desired (4 mm Allen key)
3. Fold (A) down.

⚠ DANGER! / WARNING!

- After adjustment and with the seat in its normal drive position: Ensure there is a gap of, (>25 mm.), between the floor and the footplate at all times.
- Perform this test with the user sitting in the chair loading the leg rest.

Using the chair with the leg rest set too low might result in personal injury or damage to the wheelchair and its surroundings.

Calf pad height (Fig 4.43)

1. Loosen (A) by one turn.
2. Adjust (C) to the desired position.
3. Tighten (A).

Calf pad width (Fig 4.43)

4. Loosen (B) by one turn.
5. Adjust (C) to the desired position.
6. Tighten (B).

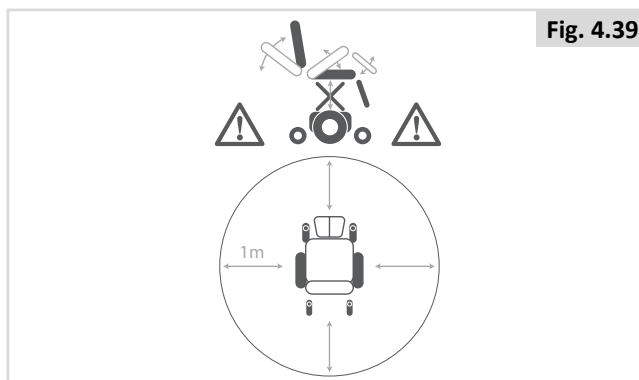


Fig. 4.39

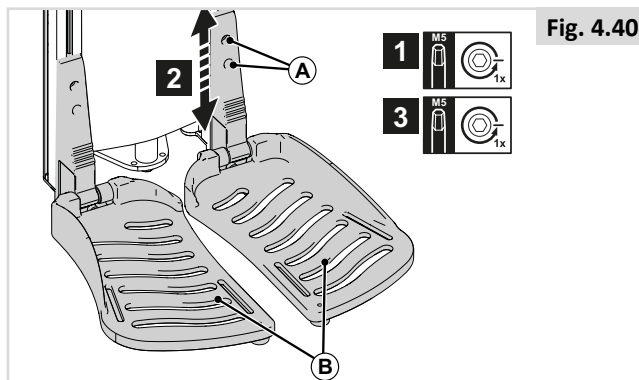


Fig. 4.40

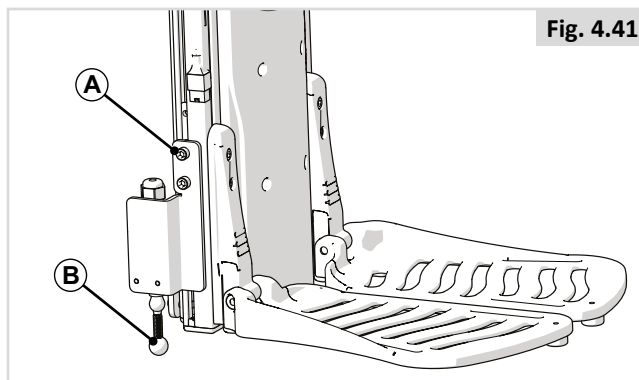


Fig. 4.41

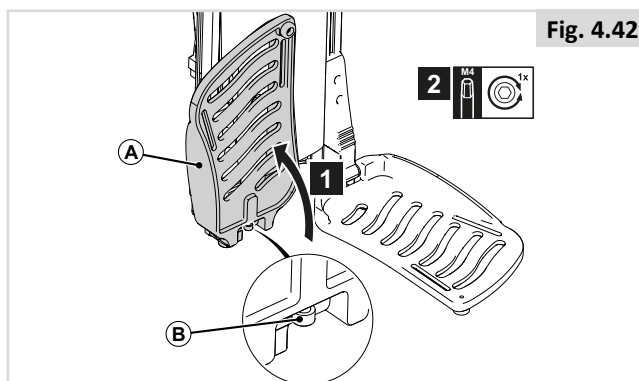


Fig. 4.42

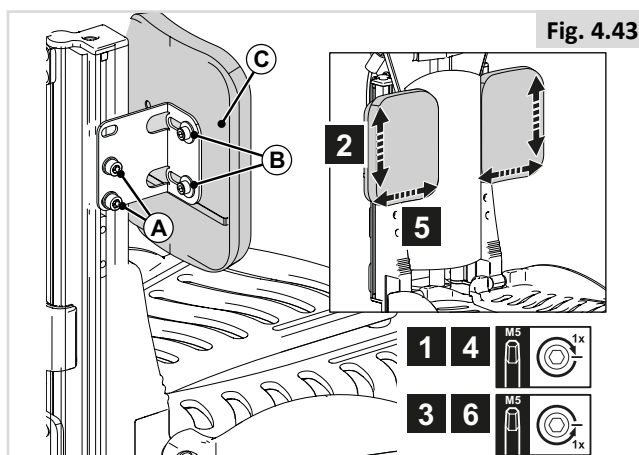


Fig. 4.43

4.11 Pre-set swing away legrests

Legrest width (Fig 4.44)

1. Loosen (A) by one turn.
2. Adjust (B) to the desired position.
3. Tighten (A).

Lower leg length (Fig 4.45)

1. Loosen (A) by one turn.
2. Adjust (B) to the desired position.
3. Tighten (A).

⚠ NOTE / CAUTION!

Ensure that there is sufficient free space under (B) for the wheelchair to drive over obstacles.

Ankle angle (Fig 4.46)

1. Loosen (A) a few turns.
2. Adjust (B) to the desired position.
3. Tighten (A).

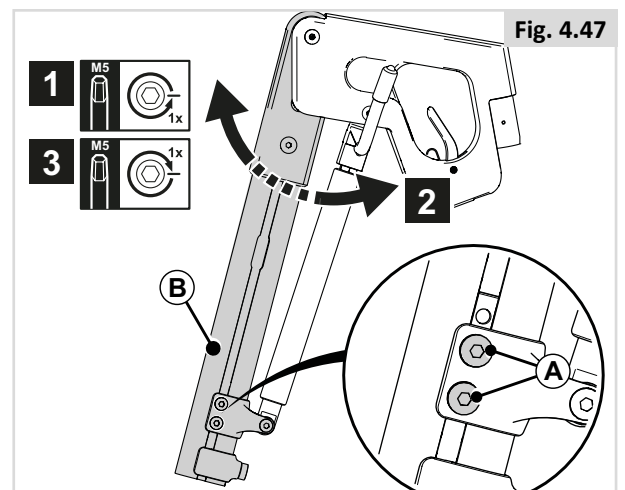
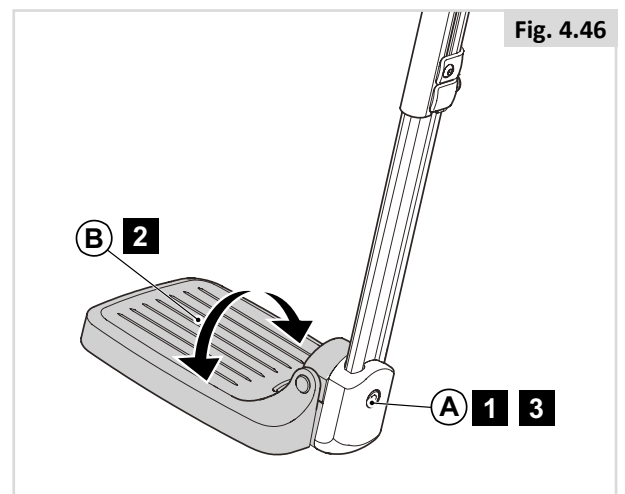
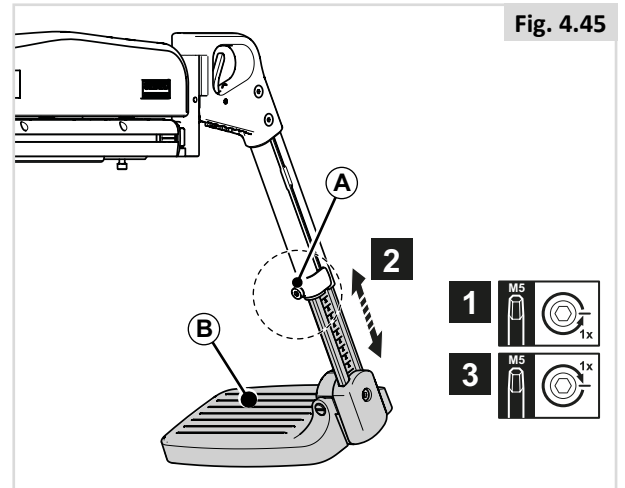
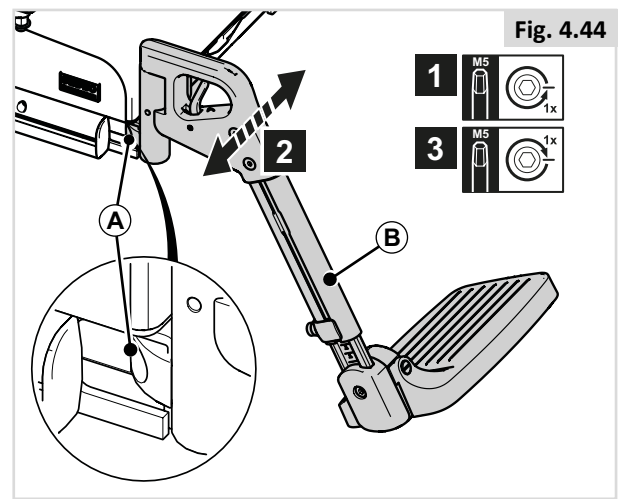
Knee angle manual/power elevating legrest (Fig 4.47)

The position of the footplates can be changed by adjusting the knee angle.

1. Loosen (A) a few turns.
2. Adjust (B) to the desired position.
3. Tighten (A).

⚠ NOTE / CAUTION!

Change the height or knee angle if the footplate touches the castor wheels.



Calf pad height (Fig 4.48)

1. Loosen (A) a few turns.
2. Adjust (D) to the desired position.
3. Tighten (A).

Calf pad depth (Fig 4.48)

4. Loosen (B) a few turns
5. Adjust (D) to the desired position.
6. Tighten (B).

Calf pad width (Fig 4.48)

7. Loosen (C) on the back of (D) a few turns.
8. Adjust (D) to the desired position.
9. Tighten (C).

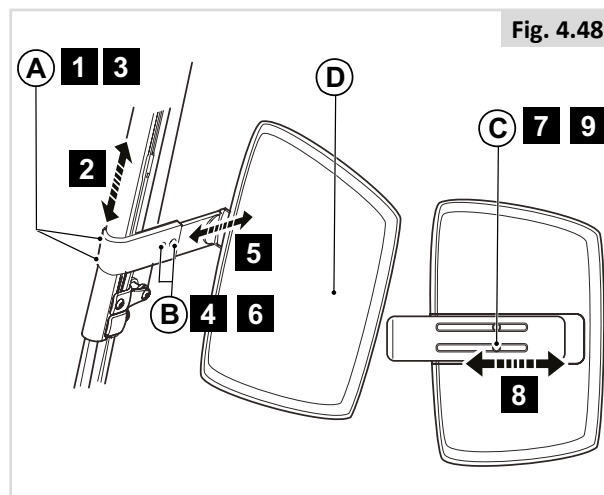


Fig. 4.48

4.12 Pre-set headrest

⚠ DANGER! / WARNING!

- If a headrest is part of the options selected for the user/chair, never drive the chair without the headrest attached.
- Never use the chair without a headrest if a person is transported with the chair in a vehicle.

Headrest height (Fig 4.49)

1. Loosen (A) a few turns.
2. Adjust (B) to the desired position.
3. Tighten (A).

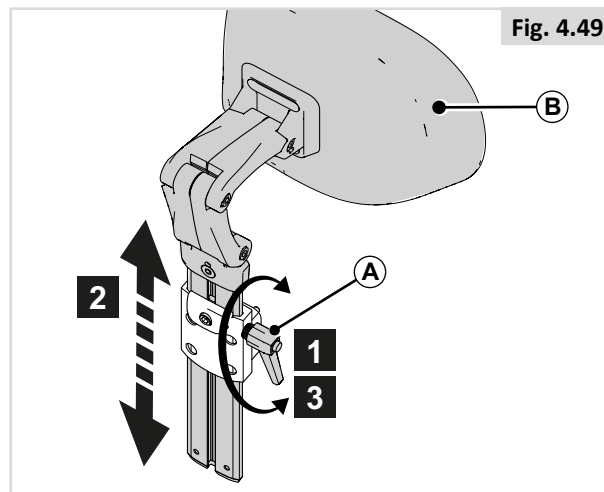


Fig. 4.49

Memory setting (Fig 4.50)

1. Loosen (C) by one turn.
2. Slide (D) as far down as possible.
3. Tighten (C).

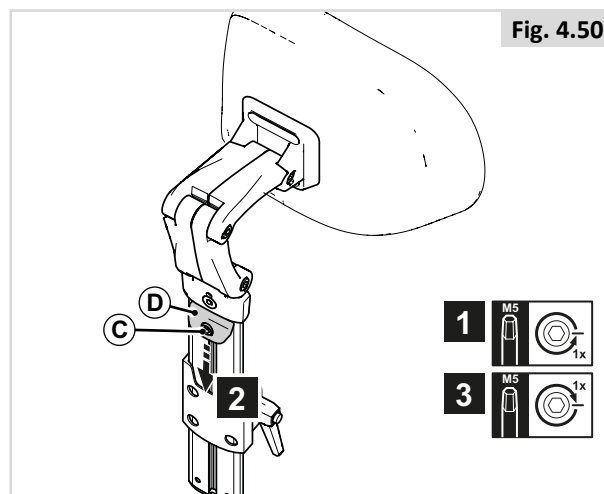


Fig. 4.50

Headrest position (Fig 4.51)

1. Loosen (A) by one turn.
2. Adjust (B) to the desired position.
3. Tighten (A).

⚠ NOTE / CAUTION!

Correct the headrest height and tilt the headrest cushion as required.

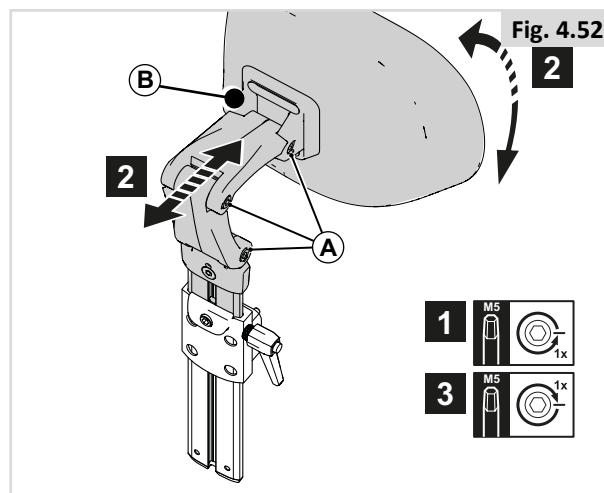
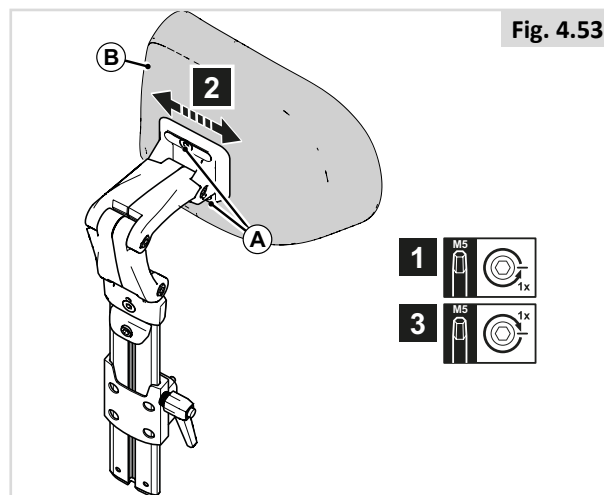


Fig. 4.52

Headrest cushion width position (Fig 4.53)

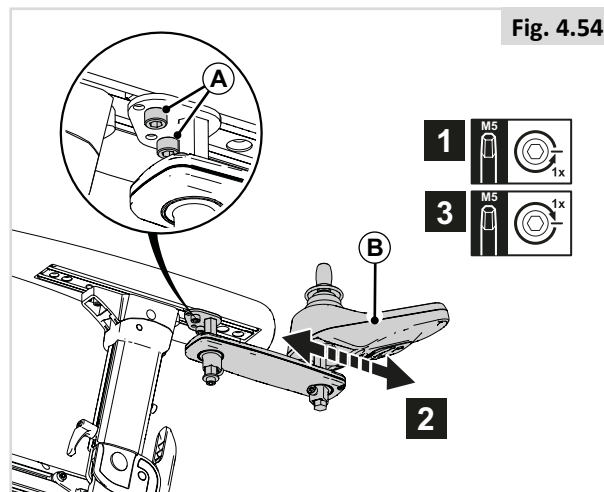
1. Loosen (A) by one turn.
2. Adjust (B) to the desired position.
3. Tighten (A).



4.13 Pre-set fixed / swing away controller bracket

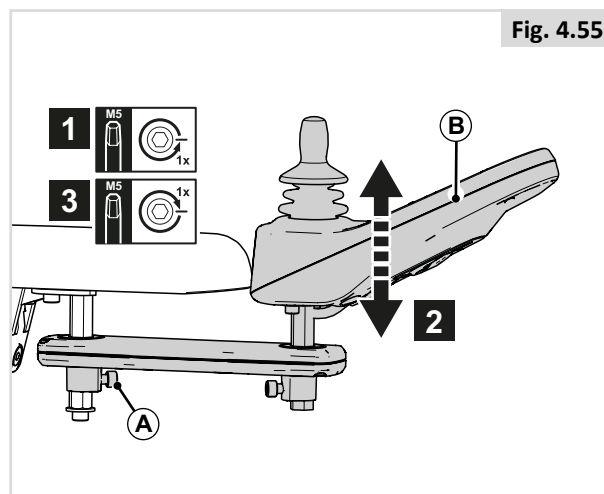
Depth of the controller (Fig 4.54)

1. Loosen (A) by one turn.
2. Adjust (B) to the desired position.
3. Tighten (A).



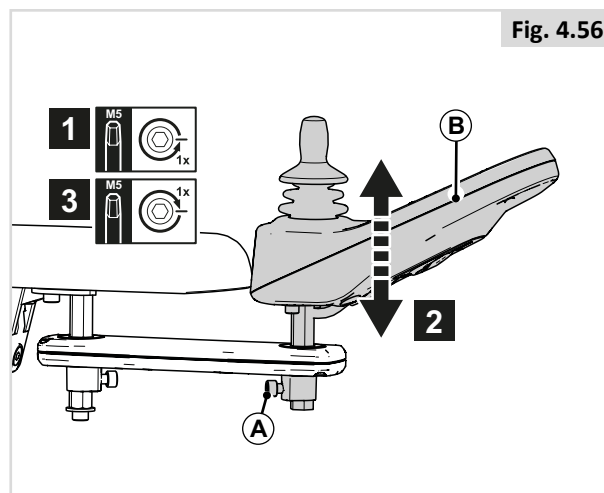
Height of the controller (1) (Fig 4.55)

1. Loosen (A) by one turn.
2. Adjust (B) to the desired position.
3. Tighten (A).



Height of the controller (2) (Fig 4.56)

1. Loosen (C) by one turn.
2. Adjust (D) to the desired position.
3. Tighten (C).



4.14 Pre-set thigh support

Thigh support height (Fig 4.57)

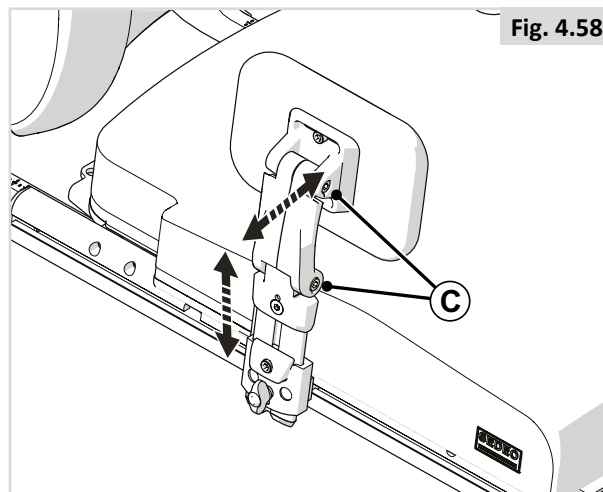
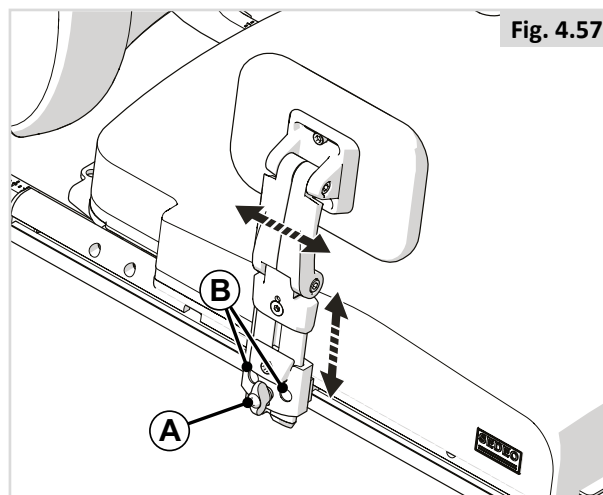
1. Loosen (A) by one turn.
2. Adjust to the desired position.
3. Tighten (A).

Thigh support depth (Fig 4.57)

1. Loosen (A) by one turn and lift thigh support.
2. Loosen 2 screws (B) by one turn.
3. Adjust to the desired position.
4. Tighten (B) then (A).

Thigh support width (Fig 4.58)

1. Loosen (C) by one turn.
2. Adjust to the desired position.
3. Tighten (C).



4.15 Pre-set laterals

Laterals width (Fig 4.59)

1. Loosen (A) completely.
2. Adjust (B) to the desired position.
3. Tighten (A).

Laterals height (Fig 4.60)

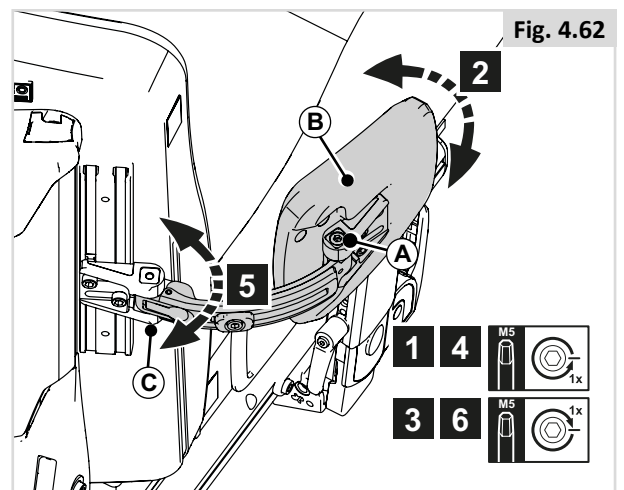
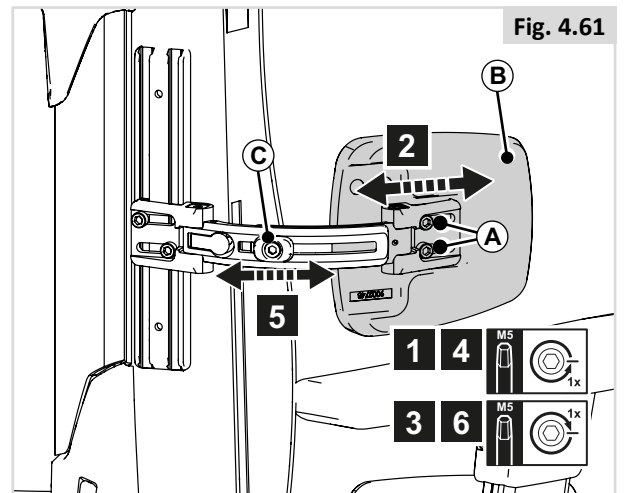
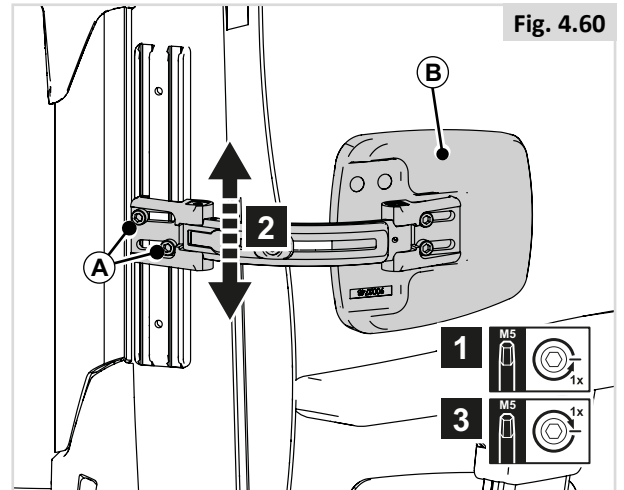
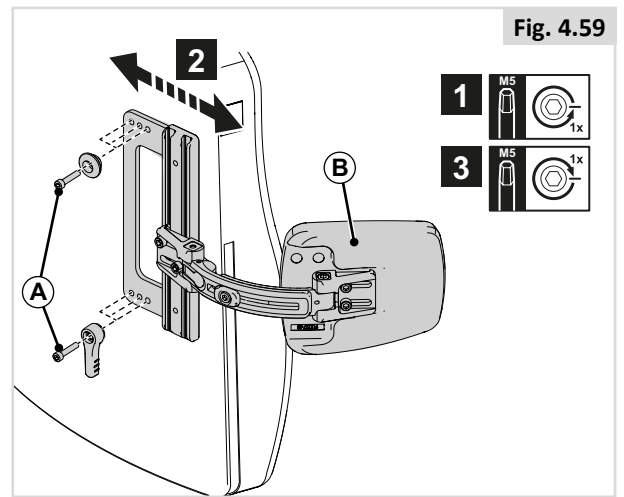
1. Loosen (A) by one turn.
2. Adjust (B) to the desired position.
3. Tighten (A).

Laterals depth (Fig 4.61)

1. Loosen (A) by one turn.
2. Adjust (B) to the desired position.
3. Tighten (A).
4. Loosen (C) by one turn
5. Adjust (B) to the desired position.
6. Tighten (C).

Laterals angle (Fig 4.62)

1. Loosen (A) by one turn.
2. Adjust (B) to the desired position.
3. Tighten (A).
4. Loosen (C) by one turn
5. Adjust (B) to the desired position.
6. Tighten (C).



4.16 Pre-set lateral swing away knee support

Knee support depth (Fig 4.63)

1. Loosen (A) by one turn.
2. Adjust (B) to the desired position.
3. Tighten (A).

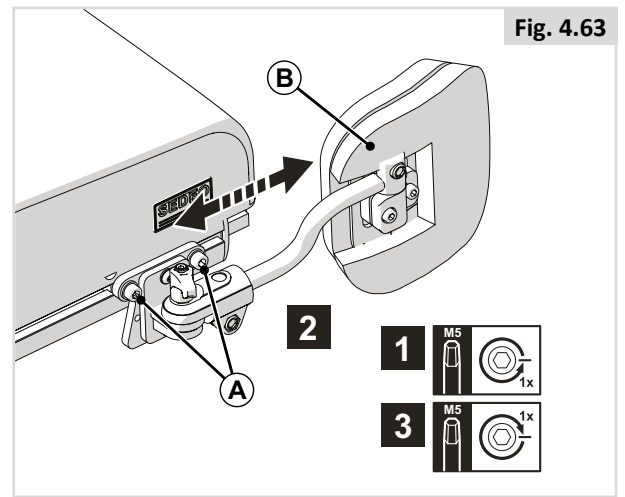


Fig. 4.63

4.17 Pre-set pommel

Pommel height (Fig. 4.64)

1. Loosen (A) by one turn.
2. Adjust (B) to the desired position.
3. Tighten (A).

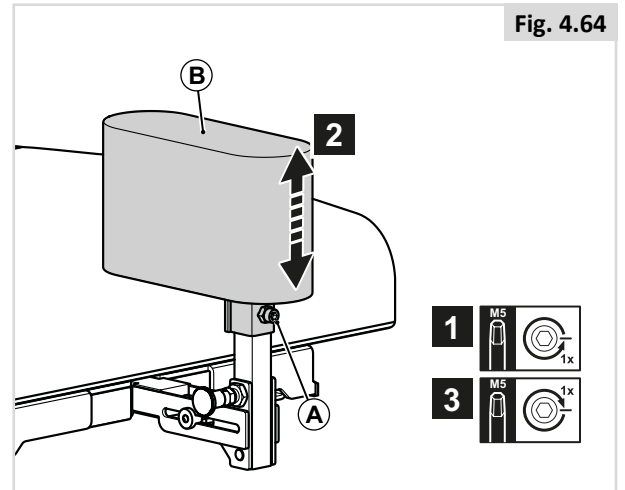


Fig. 4.64

Pommel depth (Fig. 4.65)

1. Loosen (A) by one turn.
2. Adjust (B) to the desired position.
3. Tighten (A).

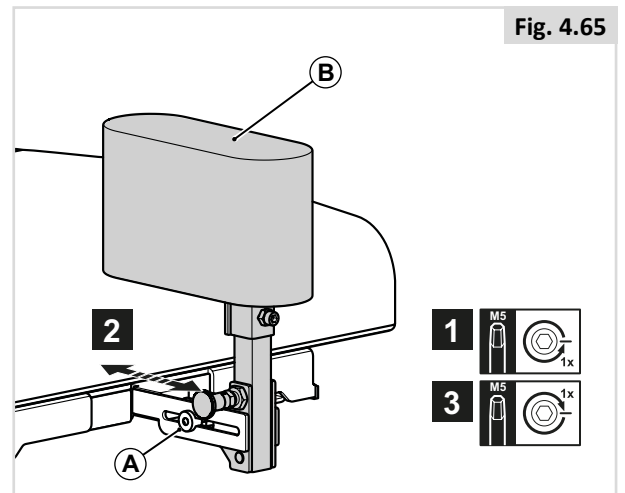


Fig. 4.65

4.18 Lap strap / seating positioning belt

DANGER! / WARNING!

- This product is only to be used to position a single person in a wheelchair.
- Lap straps are not suitable for transit purposes, approved occupant restraint systems must be used.
- Failure to heed these warnings may result in severe injury or death.
- Ensure that the carer or attendant is trained in the correct operation of the belts.
- Untrained carers or attendants may lead to delays, if an emergency situation occurs.

Mounting a lapstrap / seating positioning belt

1. Attach (A) to the seating frame using a screw on the left and on the right. (Fig 4.67)

Positioning a person with a lapstrap

- Adjust the lap strap to suit, leaving no more than a hand's width gap for comfort and safety (Fig 4.68).
- The hand clearance should be with the lap strap under normal tension and not allow large gaps or loops.
- Generally, the lap strap should be fixed so that the straps sit at an angle of approximately 45° (Fig. 4.69), and when correctly adjusted should not allow user to slip down in the seat.
- Place the strap loosely across the seat with the opening end of the buckle facing to the right for a left-handed person and to the left for a right-handed person. Pass the other ends of the strap through the gap between the backrest posts and the backrest.

DANGER! / WARNING!

- Always make sure that the lap strap is correctly secured and adjusted prior to use.
- Too loose a strap could cause the user to slip down and cause serious injury.
- Check lap strap and securing components at regular intervals for any signs of fray or damage. Replace if necessary.
- When servicing, check for correct operation of the release buckle and for any signs of wear on the material or plastic brackets.
- Regular Checks/Activities:
- As with all positioning components, there is a need for corrective adjustments as the person changes their seating position over time.
- Check the belts regularly for correct fitting, to ensure the safety and comfort of the user.

Fig. 4.66

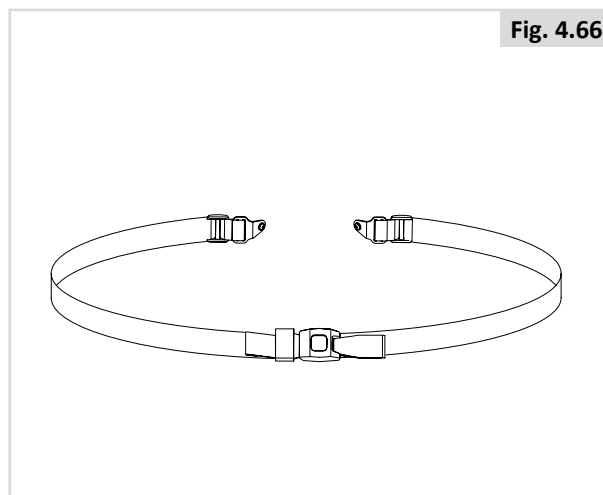


Fig. 4.67

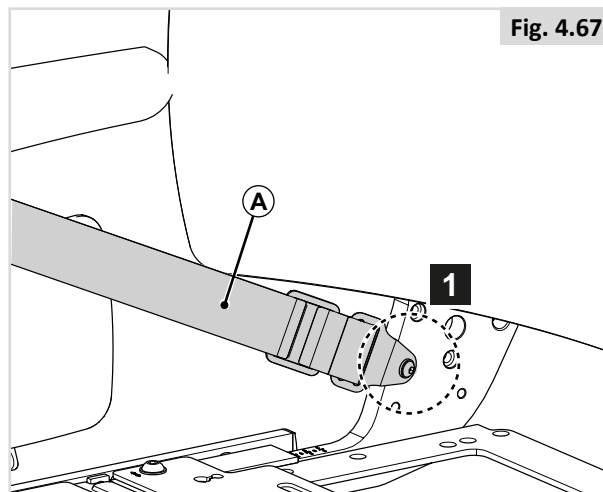


Fig. 4.68

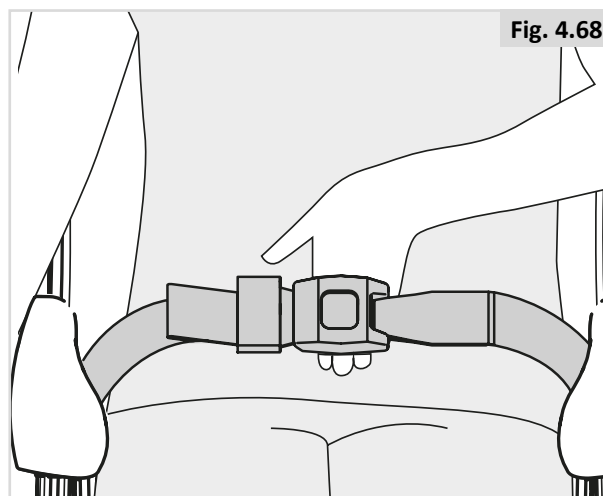
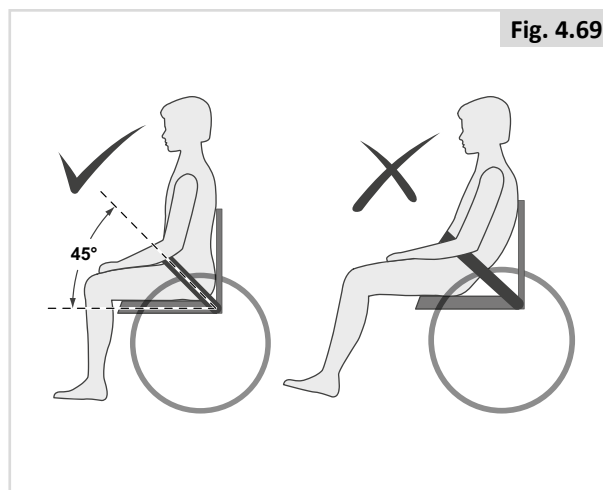


Fig. 4.69




5.0 Using the seating system

5.1 Getting in and out of the wheelchair (Transferring)

Sunrise Medical recommend that you consult your healthcare professional for assistance in developing your personal front or side transfer technique to best suit your needs and avoid any personal injury.

DANGER! / WARNING

To prevent a fall:

- Ensure controller is switched off during transfers to avoid unintentional movement. If you fail to do so you may touch the joystick and cause your system to move when you do not expect it.
- Ensure that the free wheel switch has been set to 'drive',  General manual.
- Rotate the front casters so that they point forward.
- Work with your health care professional to learn all safe methods for transfers.
- Make sure motor brakes are engaged. This keeps the system from moving when you transfer.
- It is dangerous to transfer on your own. It requires good balance and agility. Be aware that there is a point during every transfer when the seating system seat is not below you.
- Learn how to position your body and how to support yourself during a transfer.
- Have someone help you until you are sure you can do a safe transfer on your own.
- Do not stand on the footrest. Putting your full weight on the footrest may lead to wheelchair damage and to hazardous situations, including the wheelchair tipping up.
- Make sure your feet do not "hang up" or get caught in the space between the footrests.

5.2 Preparing for forward transfer

DANGER! / WARNING

Move your wheelchair as close as possible to the seat you intend to transfer to.

Swing-away legrests (Fig 5.1)

1. Fold up the foot supports (A)
2. Swing the calf plates (B) to the side (if applicable)
3. If possible, push (C) to the rear and swing legrests (D) to the side

Centre mount legrest (Fig 5.2)

1. Flip up (A).

Power centre mount legrest (Fig 5.3)

1. Flip up (A) 2x.

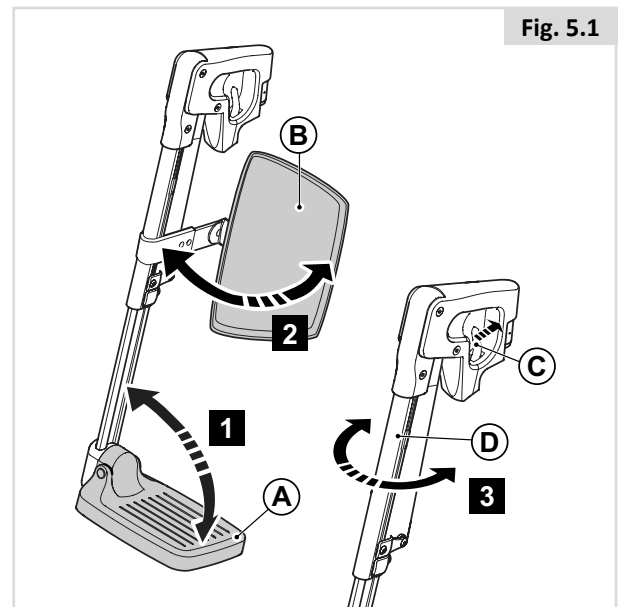


Fig. 5.2

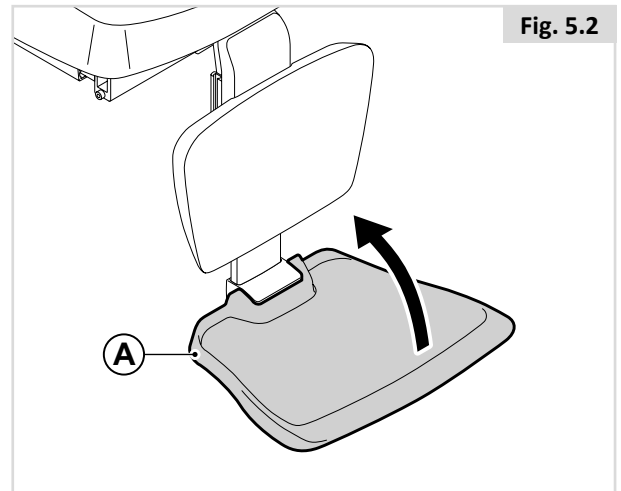
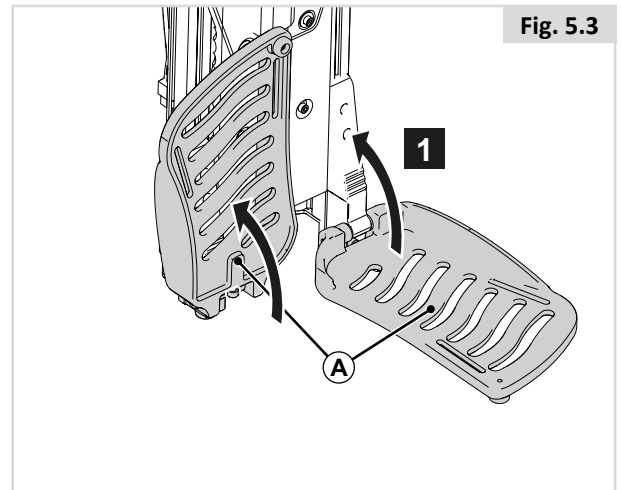


Fig. 5.3



5.3 Preparing for side transfer

⚠ DANGER! / WARNING

- Move your system as close as you can to the seat you are transferring to. If possible, use a transfer board.
- Transfer as far back onto the seat surface as you can. This will reduce the risk that you will miss the seat or fall.

⚠ NOTE / CAUTION!

- Some versions of the controller will need to be swung aside.
- Remove the tray before folding back the armrest.
- Do not lean on the armrest when folded back.

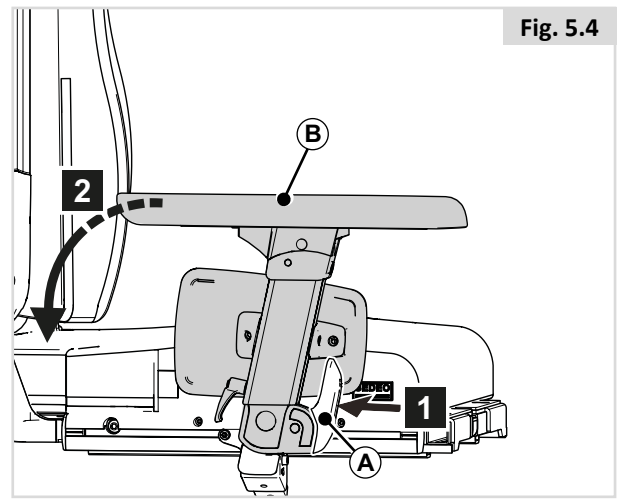


Fig. 5.4

Flip back armrest (Fig 5.4)

1. Press (A).
2. Fold (B) to the rear

Single post removable armrest (Fig 5.5)

1. Tip (A) downwards.
2. Remove (B).

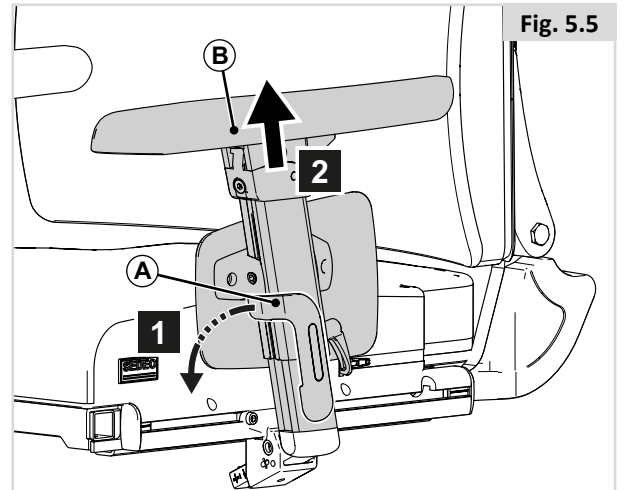


Fig. 5.5

Reclining flip back armrest (Fig 5.6)

1. Fold (A) to the rear.

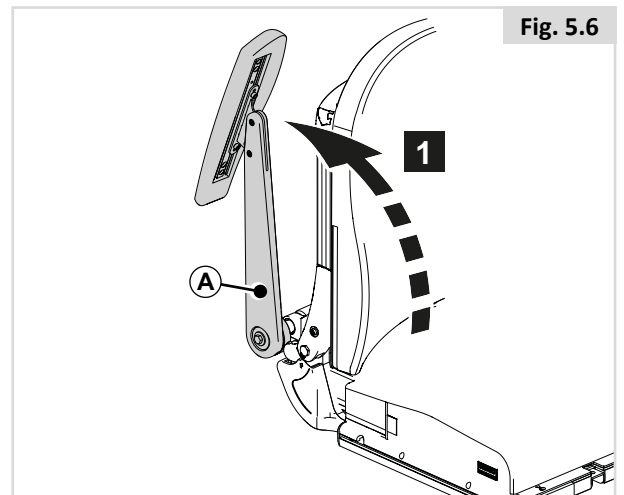


Fig. 5.6

Single post Sedeo Lite armrest (Fig 5.7)

1. Loosen A
2. Remove B

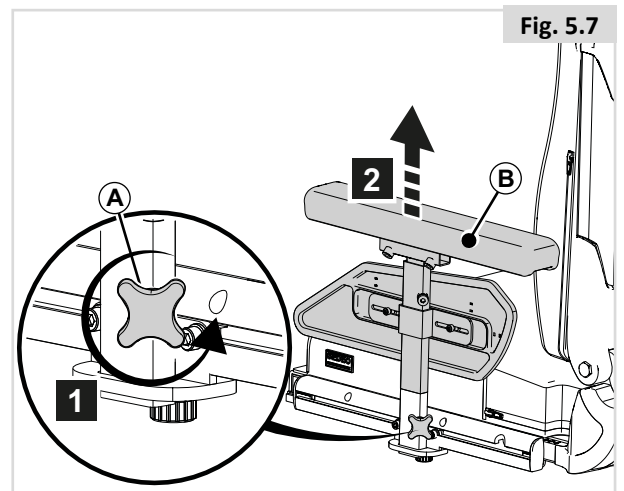
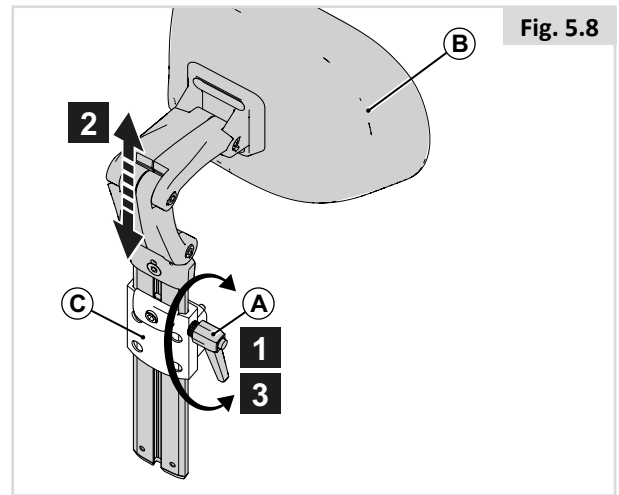


Fig. 5.7

5.4 Headrest

Removing/positioning the headrest (Fig 5.8)

1. Lift (A).
2. Slide (B) out of or into (C).
3. Push (A) down.



5.5 Swing-away controller bracket

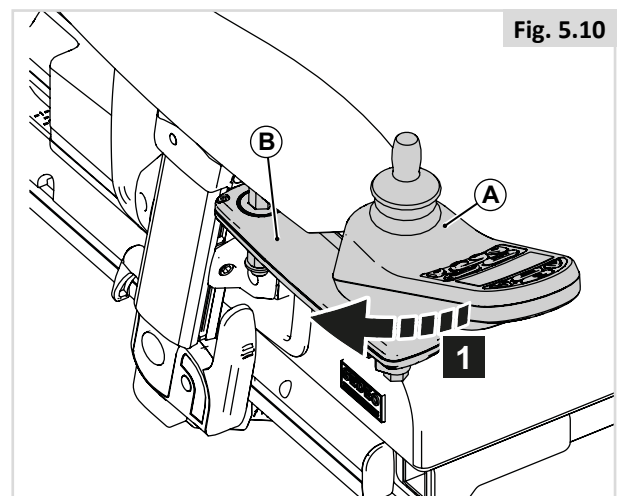
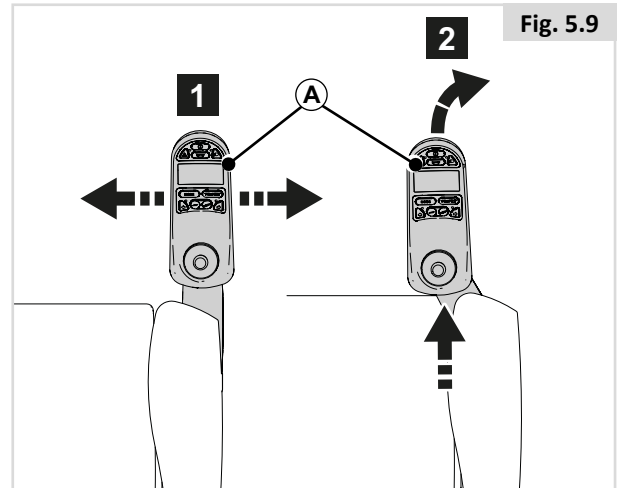
The joystick is mounted with a mechanism that allows the joystick to be locked in two forward positions. (Fig 5.9)

Swing-away the controller bracket (Fig. 5.10).

1. Push (A) outwards or inwards.
2. To return to forward position, push the back of the joystick forward until it locks into place (click)

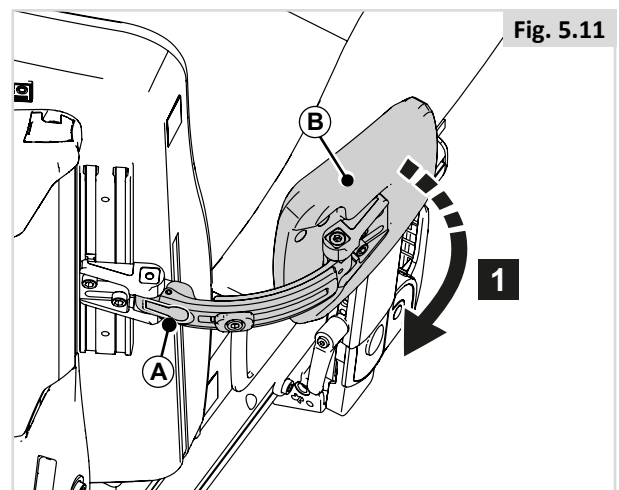
NOTE / CAUTION!

Swinging back the controller bracket will allow you to pull up close to a table. Full operation of the controller remains possible



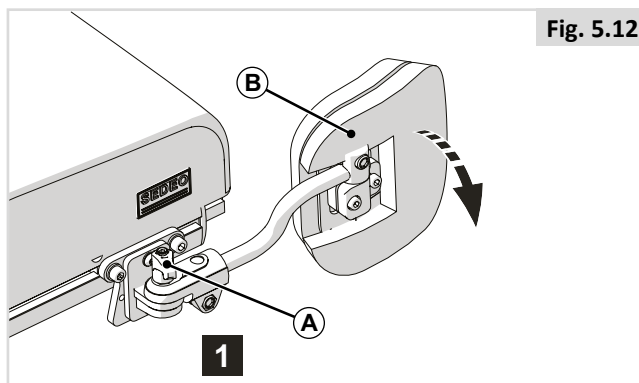
5.6 Laterals (Fig 5.11)

1. Press A to swing away B



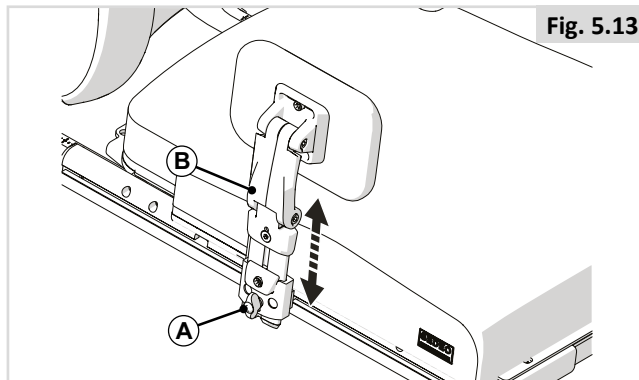
5.7 Knee support (Fig 5.12)

1. Loosen A to swing away B



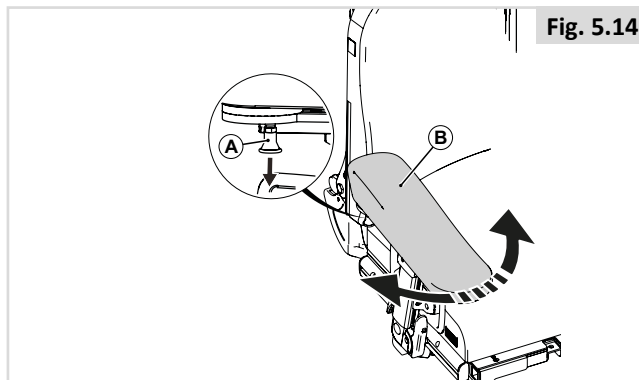
5.8 Thigh support (Fig. 5.13)

1. Loosen (A) by one turn
2. Remove (B)



5.9 Hemiplegia armrest (Fig 5.14)

1. Pull (A) out of the locked position and twist(B) into the desired position.

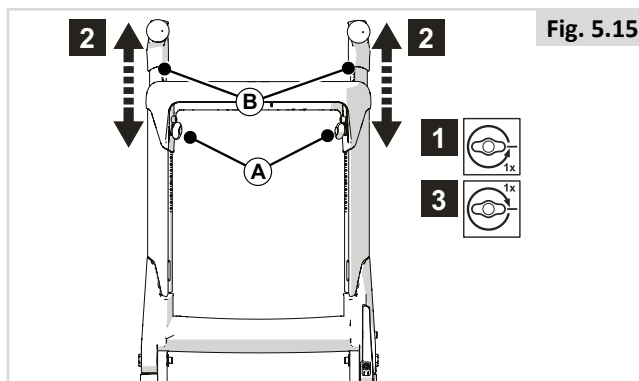


NOTE / CAUTION!

Ensure that (B) is properly secured!

5.10 Push handle height (Fig 5.15)

1. Loosen (A) by one turn.
2. Slide (B) into the desired position.
3. Tighten (A).



DANGER! / WARNING

Do not use the push handles to tip the whole chair to the rear (in order to go up a sidewalk, for example).The push bar is not suitable for such use.

5.11 Pommel (Fig 5.16)

Flip down the pommel

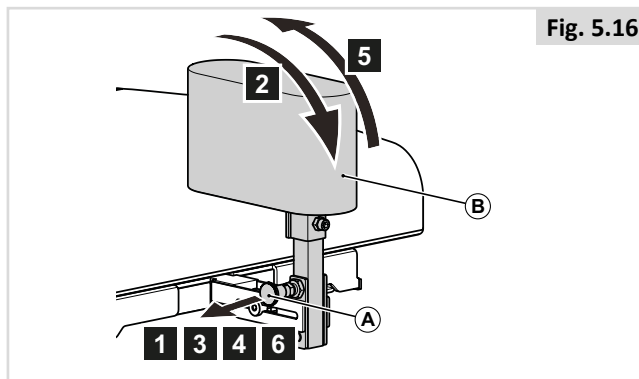
1. Pull (A) out of the locked position.
2. Lip down (B)
3. Release (A).

Flip up the pommel

1. Pull (A) out of the locked position.
2. Lip up (B).
3. Release (A) in the locked position.

NOTE / CAUTION!

Ensure that (B) is properly secured!



6.0 Manual and Powered seating options

6.1 Manual seating options

Manually reclining backrest (by user) (Fig 6.1)

1. Squeeze (A).
2. Lean forwards or backwards to adjust (B) to the desired position.

NOTE / CAUTION

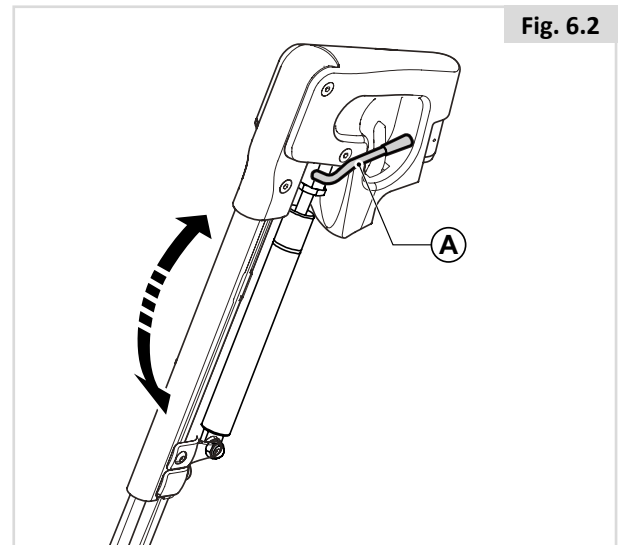
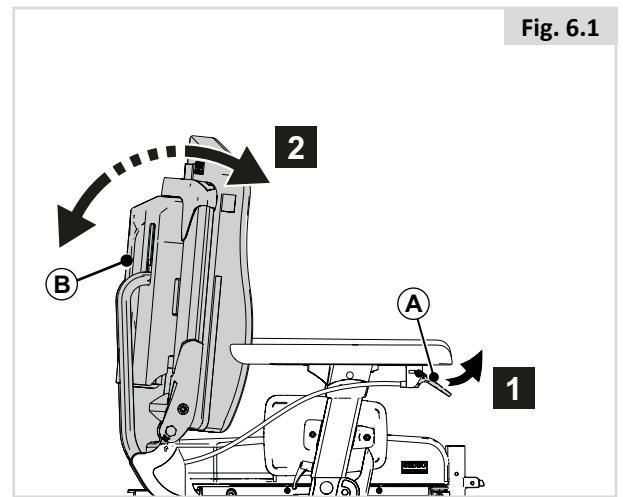
Keep squeezing (A).

3. Release (A).

Manually elevating legrests knee angle (fig 6.2)

The angle of the comfort leg rests can be adjusted independently of each other.

1. Push handle (A) forwards.
2. Lift your leg.
3. Release the handle when in the desired position.



6.2 (Powered) seating options

The wheelchair can be equipped by the following powered options to adjust your seating position. These options can be operated by the user without the use of tools.

Powered adjustable seating options (Fig. 6.3 - Fig. 6.5)

How to operate these powered seating options can be found in **CONTROLLER**.

1. Powered tilt function
2. Powered seat elevator
3. Powered backrest recline
4. Powered elevating leg rests

DANGER! / WARNING!

- Use of the powered adjustable seating options may influence the stability of the wheelchair.
- Only use the powered adjustable seating options when the wheelchair is on a flat surface! Do Not attempt to operate any power seating option while positioned on an incline.
- Please stay clear of any powered actuator while the component is in motion. Sunrise power mechanisms move over large ranges of travel. Users should be aware of their surroundings while components are in motion.
- While driving this seating system in the reclined, elevated, or tilted position use caution.
- Do Not attempt to operate any power seating option while this seating system is in motion.
- Do not attempt to operate the lift or tilt power seating options around children.
- Through programming it is possible to reverse the direction of all powered seating functions, ensure you know which direction your seat is going to move before operating.
- Please be aware that the lift/tilt modules present a trap hazard. Make sure that during operation the lift/tilt modules are free from all clothing, hands, feet and other extremities, to prevent injury.
- Do not drive on ramps or slopes with the seating in the elevated position. Before attempting to climb or descend a slope, return the wheelchair to a standard seated drive position, with the backrest upright.

This power system is designed to automatically reduce the maximum driving speed to a creep mode when certain power seating limits are reached. Depending on the configuration of the chair there might be multiple creep speeds.

Fig. 6.3

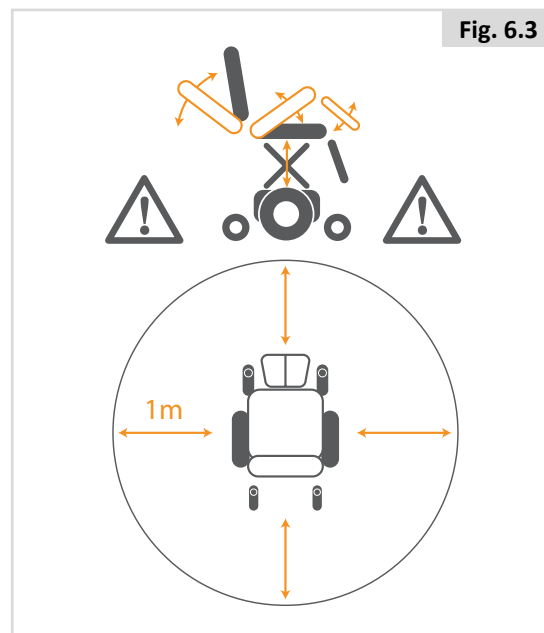


Fig. 6.4

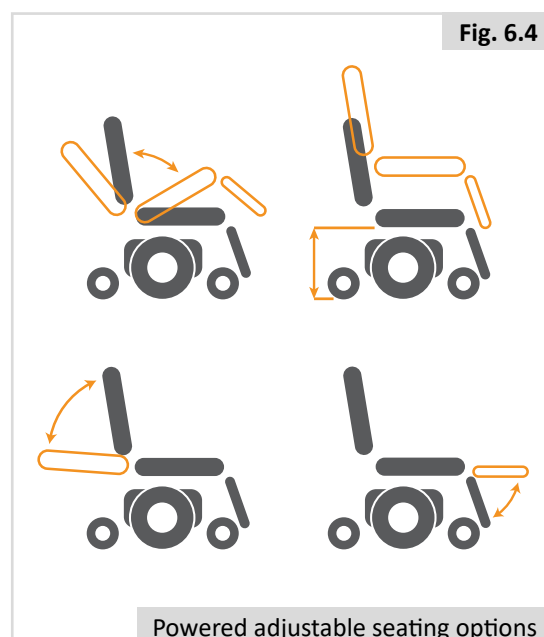
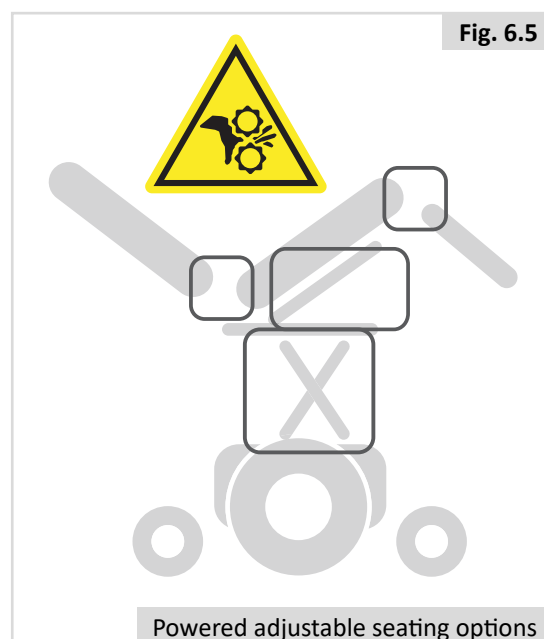


Fig. 6.5



7.0 Reducing the seating system size for transportation purposes

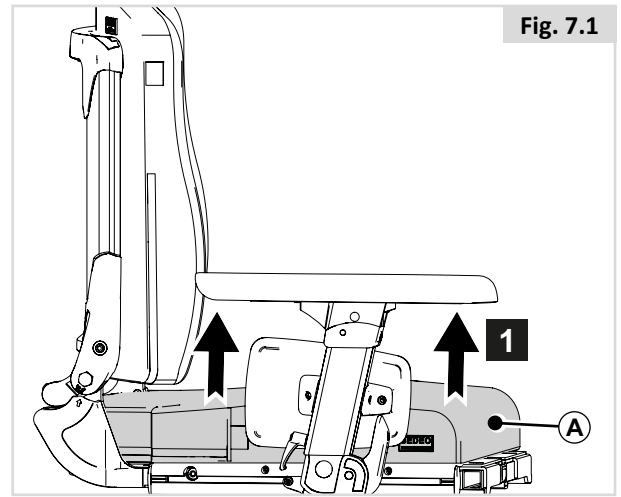
⚠ DANGER! / WARNING!

The wheelchair can be reduced in size for transportation without a passenger. Any components of the seating system that can be detached easily should be removed. Store away such components safely so that they can not cause injury or damage, or become damaged themselves.

7.1 Seat cushion

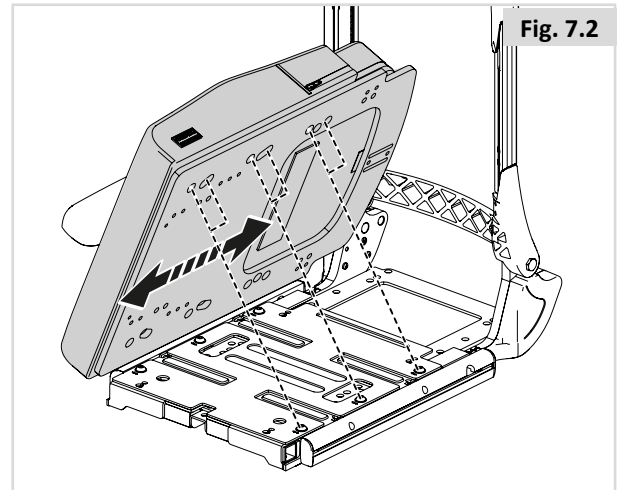
Removing the seat (Fig.7.1)

1. Pull (A) upwards.



Replacing the seat (Fig 7.2)

1. Position (A) with the holes over the bolts



7.2 Removing the back cushion (Fig 7.3)

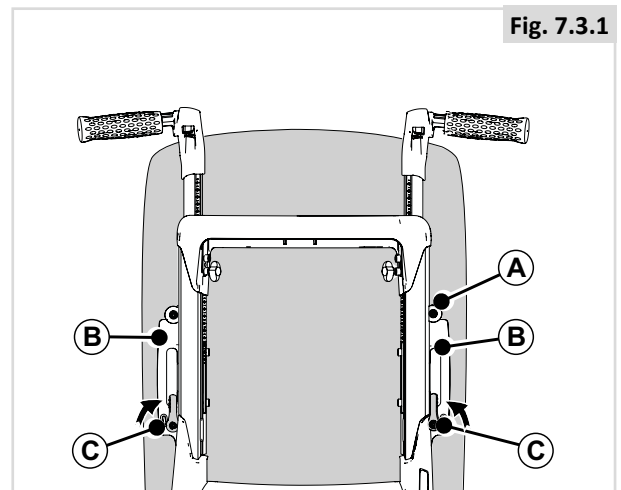
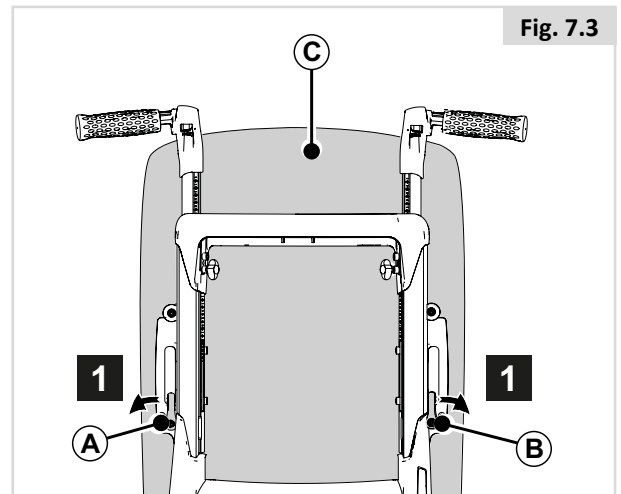
1. Turn (A) and (B).
2. From the bottom, pull (C) forwards and upwards and remove.

Positioning the back cushion (Fig 7.3.1)

1. Hook (A) behind (B).
2. Turn (C).

⚠ CAUTION!

Ensure that the back cushion is firmly in position (handles upwards).



7.3 Flip down backrest quick release (Fig 7.4)

Folding the backrest fully forward

1. Loosen (A).
2. Fold (B) fully forward.

NOTE / CAUTION

If necessary, first remove the back cushion and/or the armrest assemblies.

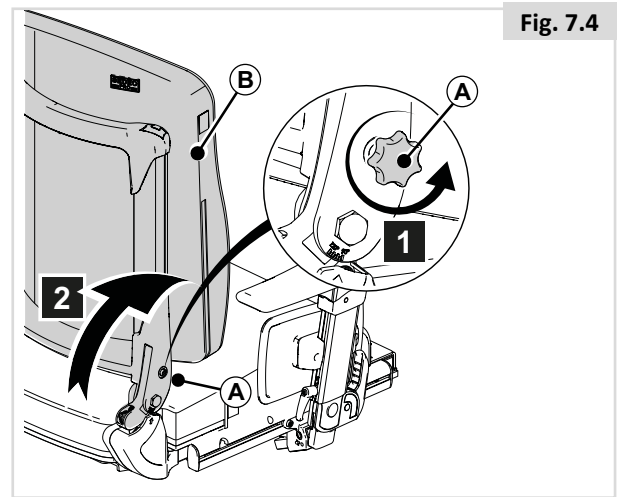


Fig. 7.4

7.4 Folding down backrest with reclining armrests (Fig 7.5)

Folding the backrest fully forward

1. Remove (A)
2. Fold (B) to the rear.
3. Loosen (C).
4. Fold (C) fully forward.

NOTE / CAUTION

If necessary, first remove the back cushion.

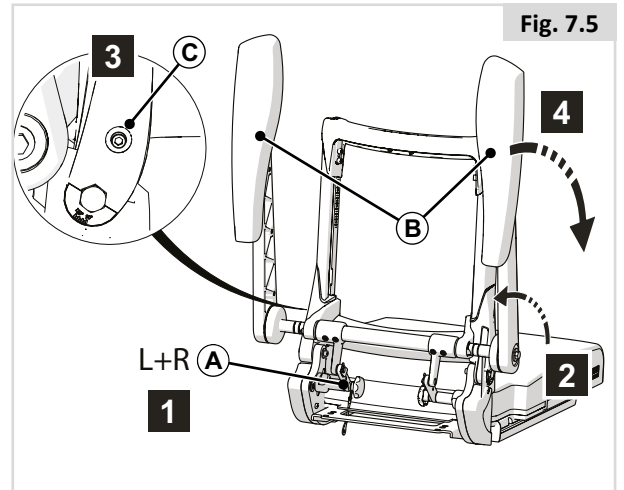


Fig. 7.5

7.5 Folding down reclining backrest with reclining armrests (Fig 7.6)

Folding the backrest fully forward

1. Remove (A).
2. Fold (B) to the rear.
3. Fold (C) fully forward.

NOTE / CAUTION

If necessary, first remove the back cushion.

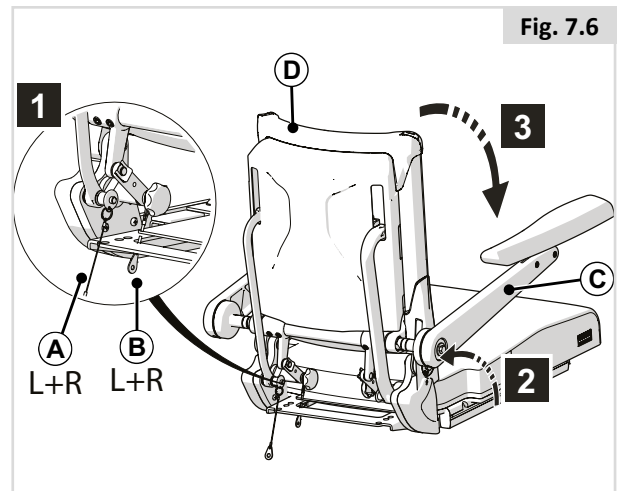


Fig. 7.6

7.6 Swing away legrests (Fig 7.7)

Removing a swing-away legrest

1. Loosen the calf band.
2. Push the catch (A) to the rear in order to unlock the leg rest.
3. Swing the leg rest outwards.
4. Remove the leg rest (B) from its bracket by lifting.

You should hear a click when replacing the leg rest. This indicates that the leg rest has locked into place.

Danger of finger entrapment (Fig.7.8)



⚠ Warning!

When the Manual Elevating swing away legrest is removed, carry the legrest at the handle intended for removing/carrying (A).

When carrying at B and at the same time releasing lever C there is a risk of finger trapping.

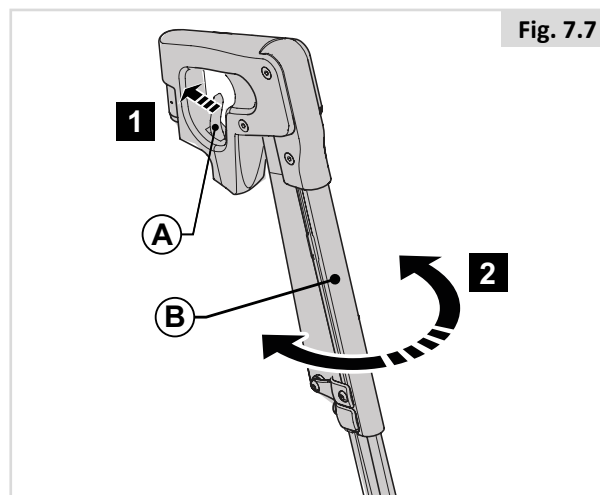


Fig. 7.8

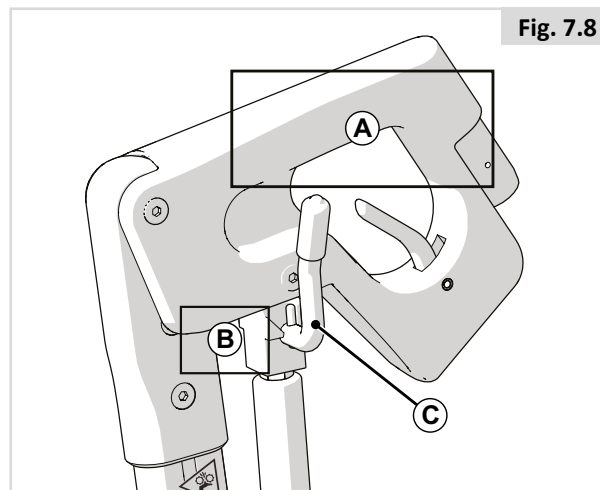


Fig. 7.8

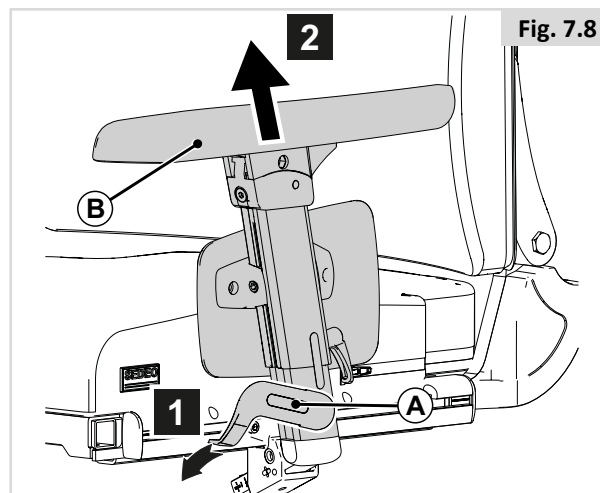
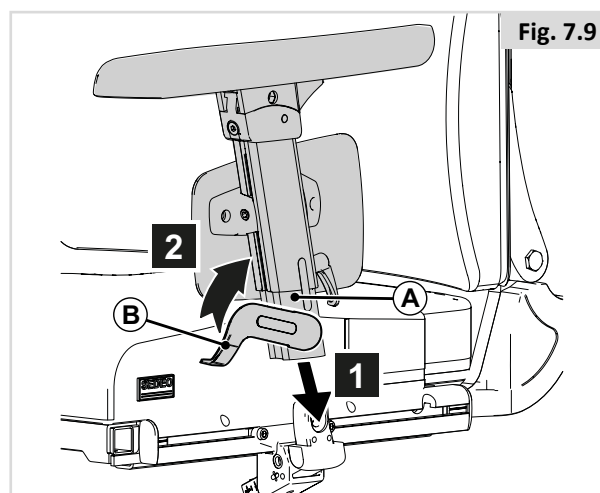


Fig. 7.9



7.7 Single post removable armrest

Removing the armrest assembly (Fig 7.9)

1. Tip (A) downwards.
2. Remove (B).

Positioning the armrest assembly (7.10)

1. Slide (A) onto (B).
2. Push (C) upwards.

8.0 Maintenance and cleaning

8.1 General Maintenance

- All fasteners should be checked monthly for wear, such as loose bolts or broken components.
- Loose fasteners should be re-tightened according to the installation instructions.

Please refer to the table below for needed Torques.

Fastener Matrix	Torque Setting (Nm)
M6 Bolt / Stud	9 - 10

Note: it will be necessary to use a torque wrench.

- Check all straps monthly for fraying, ripped seams or other indications of excessive wear damage. Discontinue use if damage is found.
- Chest straps should be replaced at the first indication of damage and/or excessive wear.
- If a broken or loose component is found, discontinue use immediately and contact your authorised Sunrise Medical supplier for replacement.
- Check all Velcro fastening straps for correct adhesion when pressed together.
- Ensure that any contamination, such as fluff, hair, etc is removed from the Velcro straps. Such contamination may affect adhesion.

8.2 Cleaning your seating system

The wheelchair should be wiped over once per week with a slightly damp, not wet, cloth and any fluff or dust that has accumulated around the actuators should be blown or dusted away.

NOTE / CAUTION!

Make sure that you dry all parts of your wheelchair if it becomes wet or damp after cleaning or if it is used in a wet or damp atmosphere.

DANGER! / WARNING!

It is important that should the wheelchair be used by more than one person it is cleaned thoroughly to ensure there is no cross infection.

8.2.2 Cleaning and inspection of your seating

DANGER! / WARNING!

Tears, dents, wearing or slackening of upholstery particularly near to metal could result in poor posture or lower levels of comfort and pressure relief.

Cleaning instructions for seating:

If there is a washing label inside the cushion cover, you can wash the cover. Follow the instructions on the washing label. Take out the foam inlays prior to washing and close the Velcro fasteners!

WARNING!

Do not use organic solvents such as thinner, benzene or white spirit.

Do not chemically clean the upholstery. Do not iron or spin-dry the upholstery.

Where upholstery cannot be removed, clean regularly to prevent build up or soiling. Clean with a damp soapy cloth however disinfectants may be used in dilution as specified by their manufacturer. Ensure surfaces are rinsed well with clean water and dried thoroughly.

8.3 Hygiene measures when being re-used:

Prior to the wheelchair being re-used, it must be carefully prepared. All surfaces which come into contact with the user must be treated with a disinfection spray.

To do this, you must use a suitable disinfectant for rapid alcohol-based disinfection of medical products and medical devices.

Please take into account the manufacturer's instructions for the disinfectant you are using.

NOTE / CAUTION!

- Do not use solvents, bleaches, abrasives, synthetic detergents, wax polishes or aerosols.
- Disinfectants may be used in dilution as specified by their manufacturer.
- Ensure surfaces are rinsed with clean water and dried thoroughly.

8.4 General cleaning instructions:

NOTE / CAUTION!

- You should remove stains on your seat as soon as possible.
- After a long period of use, you should clean the cover of your seat with a standard commercially available dry foam cleaning agent.
- You should always clean the whole surface and not just individual spots in order to avoid unattractive edges. The longer you wait the more difficult it will be to remove them.
- Avoid powerful rubbing with aqueous solutions. This will roughen up cover fabric.
- Dirt stains (eg. beer, blood, cola, red wine etc) are best removed with the dry foam cleaning agents or with a mild-action detergent.
- Please follow the respective instructions for use when treating the covers.
- The covers should be allowed to dry for at least 48 hours after cleaning with foam cleaning agents.
- Grease stains (eg. ballpoint pen, lipstick, chewing gum etc). Use a proprietary stain remover. Carefully rub the soiled location on the surface only with a clean cloth impregnated with the stain remover.
- Use only a very small quantity of stain remover.
- Test a small inconspicuous area first.
- The upholstery material must not be saturated, since the stain remover might then attack it and destroy it.
- Powerful rubbing should be avoided on the silk-printed scales, for example, the arrows on the seat plate and the scale for the seat width adjustment
- Do not use a hose or a pressure washer to clean your chair.

DANGER! / WARNING!

- Always read the label on any commercial or domestic cleaning substances.
- Always follow the instructions carefully.

8.5 Cleaning Accessories:

- All parts/ accessories such as swing away trays should be cleaned with a damp cloth.
- All lateral supports, headrest, armrests, side- guards, calf pads, lap belts and knee pads should be cleaned with a damp cloth.

8.6 Cleaning controls:

Should the control of your wheelchair become soiled or dirty, it can be wiped with a damp cloth with a dilute disinfectant until clean.

DANGER! / WARNING!

- This is important should the wheelchair be used by more than one person to ensure there is no cross infection.
- Ensure that wafer boards, joysticks (all variants), head arrays and switches (all variants) are cleaned with a mild disinfectant and a cleaning cloth to avoid any cross infection possibilities. Following removal from chair regularly wash the sip and puff mouth piece and tube to maintain cleanliness and functionality.
- Ensure control is switched off before cleaning.

8.7 Storage

To keep the upholstery and other parts of the wheelchair in good condition, store in a dry environment as close to room temperature as possible.

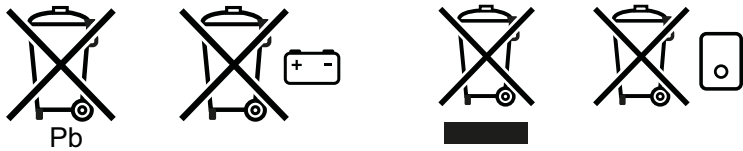
DANGER! / WARNING!

- Never store your wheelchair in direct sunlight or in a damp/ outdoor environment.
- Direct sunlight might bleach upholstery / plastic parts and cause metal parts to become hot.

9.0 Disposal

The symbols below mean that in accordance with local laws and regulations your product should be disposed of separately from household waste. When this product reaches the end of its life, take it to the local collection point designated by local authorities. The separate collection and recycling of your product at the time of disposal will help conserve natural resources and ensure that it is recycled in a manner that protects the environment.

Ensure you are the legal owner of the product prior to arranging for the product disposal in accordance with the above recommendations and national requirements.



In the following section, there is a description of the materials used on the wheelchair, in view of the disposal or recycling of the wheelchair and its packaging.

There may also be special local regulations in force with regard to disposal or recycling, these must be taken into account when disposing of your wheelchair. (This can include the cleaning or decontamination of the wheelchair prior to disposal).

Aluminium: Castor forks, wheels, side-guards for the chassis.

Steel: Fixing points, quick-release axle

Plastic: Handles, tube stoppers, castors and wheel/tyre


Packaging: Plastic bags made of soft polyethylene, cardboard

Disposal or recycling should be done through a licensed agent or authorised place of disposal. Alternatively your wheelchair may be returned to your dealer for disposal.



10.0 Technical specifications:

10.1 Applicable norms / standards

 This product complies with the regulations and guidelines for medical aids and carries a CE symbol.

The product meets the requirements and standards below. These are checked by independent institutions.

EU Guideline 2017/745 EEC	Applicable as mentioned in table 1
EN 12182 (2012) Class B	The requirements from EN12182 (2014) as mentioned in EN 12184 (2014). Assistive products for persons with disability – General requirements and test methods.
EN 12184 (2014) Class B	Electrically powered wheelchairs, scooters and their chargers – Requirements and test methods.
ISO 7176-8: 2014	Requirements and test methods for impact, static and fatigue strengths.
ISO 7176-9	Climate tests for electric wheelchairs.
ISO 7176-14	Requirements and test methods for control systems for electric wheelchairs.
ISO 7176-16: 2012	Requirements for resistance to ignition of upholstered parts.
ISO 7176-19 (2008)	Wheelchairs – Part 19: Wheeled mobility devices for use as seats in motor vehicles: Sedeo Pro meets the crash test requirements as described in ISO 7176-19
Dahl Docking	
ISO 7176-19 (2008)	Wheelchairs – Part 19: Wheeled mobility devices for use as seats in motor vehicles: Sedeo Pro meets the crash test requirements as described in ISO 7176-19
EN-ISO10993-5: 2009	Biological evaluation of medical devices.
EN 1021 1&2	Assessment of the ignitability of upholstered furniture. Ignition source: smouldering cigarette/ match lame equivalent.

10.2 Technical specifications: SEDEO Pro seating system

	Metric system values		Imperial system values & alternative	
	Minimum	Maximum	Minimum	Maximum
Seat angle adjustment				
Powered tilt with COG adjustment optional	0° - 30°		-5° - 25°	
Powered tilt with COG adjustment optional	-5° - 25°		0° - 30°	
Powered tilt with COG adjustment optional	0° - 50°		-5° - 45°	
Powered tilt with COG adjustment optional	-5° - 45°			
Effective seat depth	400 mm	580 mm	15.7"	23.6"
Effective seat width	380 mm	560 mm	15"	22"
Seat to floor height				
Filler Module (No powered tilt in space, no seat elevator)				
pos. 1 60 or 80 Ah batteries 0° seat angle	415 mm		16.3"	
pos. 2 60 or 80 Ah batteries 0° seat angle	440 mm		17.3"	
pos. 3 60 or 80 Ah batteries 0° seat angle	465 mm		18.3"	
pos. 4 60 or 80 Ah batteries 0° seat angle	490 mm		19.3"	
Powered tilt & seat elevator (300 mm)				
pos. 1 60 or 80 Ah batteries 0° seat angle	415 mm	715 mm	16.3"	28.1"
pos. 2 60 or 80 Ah batteries 0° seat angle	440 mm	740 mm	17.3"	29.1"
pos. 3 60 or 80 Ah batteries 0° seat angle	465 mm	765 mm	18.3"	30.1"
pos. 4 60 or 80 Ah batteries 0° seat angle	490 mm	790 mm	19.3"	31.1"
Backrest angle				
Tool angle adjustable back	90° - 120°		90° - 120°	
Powered recline	90° - 130°		90° - 130°	
Powered recline with anti shear	90° - 150°		90° - 150°	
Backrest height (seatplate to top of back cushion)	530 mm	720 mm	20.9"	28.3"
Flip back armrest / Single post removable armrest				
Armrest pad height (seatplate to top armpad)	260 mm	380 mm	10.2"	15"
Armrest width (on seatframe)	-20 mm	+20 mm	-0.8"	+0.8"
Armrest pad width (on armrest profile)	-20 mm		-0.8"	
Armrest depth (on seatframe with short seat rail)	250 mm		10.8"	
Armrest pad depth (on armrest profile)	100 mm		3.9"	
Armrest pad angle (vertical)	0° - 15°		0° - 15°	
Reclining Flip back armrest				
Armrest pad height (seatplate to top armpad)	250 mm	400 mm	9.8"	15.7"
Armrest pad width (on armrest profile)	-20 mm		-0.8"	
Armrest pad depth (on armrest profile)	140 mm		5.5"	
Armrest pad angle (vertical)	0° - 15°		0° - 15°	
Center Mount Legrest				
Lower leg length (from seatplate)	305 mm	460 mm	12"	18.1"
Knee angle	70° - 120°		70° - 120°	
Ankle angle	+20° - -40°		+20° - -40°	
Power Center Mount Legrest				
Lower leg length (from seatplate)	360 mm	540 mm	14.2"	21.2"
Knee angle	90° - 180°		90° - 180°	
Max length compensation	260 mm		10.2"	
Ankle angle	+35° - -15°		+35° - -15°	
Swing away legrests				
Lower leg length (from seatplate)	350 mm	510 mm	13.8"	20.1"
Knee angle	70°		70°	
Ankle angle	0° - 180°		0° - 180°	

	Metric system values		Imperial system values & alternative	
	Minimum	Maximum	Minimum	Maximum
Swing away legrests, manual elevating / power elevating				
Lower leg length (from seatplate)	350 mm	510 mm	13.8"	20.1"
Knee angle	0° - 70°		0° - 70°	
Ankle angle	0° - 180°		0° - 180°	
SEDEO Multi-Position headrest mount				
Headrest height adjustment range	170 mm		6.7"	
Headrest depth adjustment range	200 mm		7.9"	
Headrest angle (vertical)	-45° - +45°		-45° - +45°	
Headrest width	-20 mm	20 mm	-0.8"	+0.8"
Lateral Supports				
Lateral support width adjustment range	90 mm		3.5"	
Lateral support height adjustment range	170 mm		6.7"	
Lateral support depth adjustment range	45 mm		1.8"	
Pommel				
Pommel height (from seatplate to top of cushion)	170 mm	250mm	6.7"	9.8"
Pommel depth adjustment range	65 mm		2.5"	
Pushbar height adjustment range	140 mm		5.5"	

11.0 Guarantee / Warranty

THIS GUARANTEE DOES NOT AFFECT YOUR LEGAL RIGHTS IN ANY WAY.

Sunrise Medical* provides a guarantee, as set out in the warranty conditions, for wheelchairs to its customers covering the following.

Warranty conditions:

1. Should a part or parts of the wheelchair require repair or replacement as a result of a manufacturing and/or material fault within 24 months or for frame and cross-braces within 5 years after delivery to the customer, then the affected part or parts will be repaired or replaced free of charge. The warranty will only cover manufacturing defects
2. To enforce the warranty, please contact Sunrise Medical Customer Service with the exact details of the nature of the difficulty.
Should you be using the wheelchair outside the area covered by the Sunrise Medical customer service agent, repairs or replacement will be carried out by another agency as designated by the manufacturer. The wheelchair must be repaired by a Sunrise Medical designated Customer Service agent, (dealer).
3. For parts, which have been repaired or exchanged within the scope of this warranty, we provide a warranty in accordance with these warranty conditions for the remaining warranty period for the wheelchair in accordance with point 1).
4. For original spare parts which have been fitted at the customer's expense, these will have a 12 months guarantee, (following the fitting), in accordance with these warranty conditions.
5. Claims from this warranty shall not arise, if a repair or replacement of a wheelchair or a part is required for the following reasons:
 - a. Normal wear and tear, which include batteries, armrest pads, upholstery, tyres, brakes shoes, etc.
 - b. Any overloading of the product, please check the EC label for maximum user weight.
 - c. The product or part has not been maintained or serviced in accordance with the manufacturer's recommendations as shown in the user instructions and/or the service instructions.
 - d. Accessories have been used which are not specified as original accessories.
 - e. The wheelchair or part having been damaged by neglect, accident or improper use.
 - f. Changes/modifications have been made to the wheelchair or parts, which deviate from the manufacturer's specifications.
 - g. Repairs have been carried out, before our Customer Service has been informed of the circumstances.

6. This guarantee is subject to the law of the country in which the product was purchased from Sunrise Medical"

* Means the Sunrise Medical facility from which the product was purchased.

Additional Notes For Australia Only:

- i. For goods provided by Sunrise medical Pty Ltd in Australia, our goods come with a guarantee by Sunrise Medical that cannot be excluded under Australian Consumer Law.
- ii. You are entitled to a replacement or refund for a major failure and for compensation for any foreseeable loss or damage.
- iii. You are also entitled to have the goods repaired or replaced if the goods fail to be of acceptable quality and the failure does not amount to a major failure.
- iv. The benefits to you given by this warranty are in addition to your other rights and remedies under a law in relation to the goods to which the warranty relates.

Pour toute question relative à l'utilisation, à l'entretien ou à la sécurité de votre système d'assise, contactez votre revendeur agréé Sunrise Medical. Si vous ne connaissez aucun revendeur dans votre région ou si vous avez des questions supplémentaires, vous pouvez écrire ou téléphoner à :

Sunrise Medical S.A.S

ZAC de la Vrillonnerie

17 Rue Mickaël Faraday

37170 Chambray-Lès-Tours

Tel : +33 (0) 247554400

Fax : +30 (0) 247554403

www.sunrisemedical.fr

Tampon et signature du revendeur

1.0 Informations utilisateur	45	6.0 Options d'assise manuelles et électriques	71
1.1 À propos du présent manuel d'utilisation.....	45	6.1 Options d'assise manuelles	71
1.2 Informations complémentaires.....	45	6.2 Options d'assise (électriques)	72
1.3 Symboles utilisés dans le manuel.....	45	7.0 Réduire l'encombrement du fauteuil en vue de le transporter	73
2.0 Sécurité.....	46	7.1 Coussin d'assise	73
2.1 Symboles et étiquettes relatifs à l'assise apposés sur le produit.....	46	7.2 Dépose du coussin de dossier (Fig. 7.3).....	73
2.2 Sécurité : Température.....	46	7.3 Libération rapide du dossier rabattable (Fig. 7.4)	74
2.3 Sécurité : Organes mobiles.....	46	7.4 Abaissement du dossier avec accoudoirs relevables (Fig. 7.5).....	74
2.4 Sécurité : Risque d'étouffement.....	46	7.5 Abaissement du dossier inclinable avec accoudoirs relevables (Fig. 7.6)	74
2.5 Sécurité : Tablettes	47	7.6 Repose-jambe escamotables (Fig. 7.7)	75
3.0 Description générale	47	7.7 Accoudoir amovible Sedeo Pro.	75
4.0 Configuration du système d'assise.....	48	8.0 Entretien et nettoyage	76
4.1 Pré-réglage de la profondeur d'assise.....	48	8.1 Maintenance générale	76
4.2 Pré-réglage de la largeur d'assise.....	49	8.2 Nettoyage du système d'assise :	76
4.3 Pré-réglage du dossier.....	50	8.3 Mesure d'hygiène en cas de cession du fauteuil : 76	
4.4 Pré-réglage des accoudoirs relevables / des accoudoirs escamotables / des accoudoirs amovibles.....	51	8.4 Instructions générales de nettoyage :	77
4.5 Pré-réglage des accoudoirs relevables.....	55	8.5 Nettoyage des accessoires :	77
4.6 Protège-vêtement	56	8.6 Nettoyage des commandes :	77
4.7 Pré-réglage des accoudoirs amovibles SEDEO Lite ...	56	8.7 Entreposage.....	77
4.8 Pré-réglage du repose-jambe central	57	9.0 Enlèvement.....	78
4.9 Pré-réglage du repose-jambe central	58	10.0 Caractéristiques techniques :	79
4.10 Pré-réglage du repose-jambe central électrique. 59		10.1 Normes en vigueur.....	79
4.11 Pré-réglage des repose-jambes escamotables	60	10.2 Caractéristiques techniques : Système d'assise Sedeo Pro	80
4.12 Pré-réglage de l'appui-tête.....	61	11.0 Garantie.....	82
4.13 Pré-réglage du support du boîtier de commande fixe / escamotable	62		
4.14 Pré-réglage du cale cuisse	63		
4.15 Pré-réglage des supports latéraux	64		
4.16 Pré-réglage du support latéral escamotable pour genou.....	65		
4.17 Pré-réglage du plot.....	65		
4.18 Ceinture de bassin / ceinture de positionnement	66		
5.0 Utilisation du système d'assise.....	67		
5.1 Monter et descendre du véhicule (Transfert)	67		
5.2 Préparation pour un transfert vers l'avant.....	67		
5.3 Préparation pour un transfert latéral.....	68		
5.4 Appui-tête.....	69		
5.5 Support de boîtier de commande escamotable..	69		
5.6 Cales tronc (Fig. 5.11).....	69		
5.7 Cale genou (Fig. 5.12).....	70		
5.8 Cale cuisse (Fig. 5.13)	70		
5.9 Accoudoir pour personne hémiplégique (Fig. 5.14)	70		
5.10 Hauteur des poignées (Fig. 5.15)	70		
5.11 Plot d'abduction (Fig. 5.16)	70		

1.0 Informations utilisateur

Nous vous remercions d'avoir choisi un fauteuil roulant Sunrise Medical. Sunrise Medical proposent des produits de mobilité de qualité conçus pour renforcer votre indépendance et faciliter la réalisation de vos activités quotidiennes.

1.1 À propos du présent manuel d'utilisation

Le présent manuel d'utilisation vous aidera à utiliser et à entretenir votre système d'assise en toute sécurité. Ce manuel d'utilisation du système d'assise vient en supplément du manuel d'utilisation générale du fauteuil roulant Sunrise Medical :

- Manuel d'utilisation générale du fauteuil roulant
- Manuel d'utilisation du système d'assise (le présent fascicule)
- Manuel d'utilisation du boîtier de commande.

Le cas échéant, le présent manuel d'utilisation du système d'assise renvoie à d'autres manuels, notamment :

- 📖 Manuel d'utilisation générale : Renvoie au manuel d'utilisation du fauteuil roulant.
- 📖 Boîtier de commande : Renvoie au manuel d'utilisation du boîtier de commande.
- 📖 Chargeur de batteries : Renvoie au manuel d'utilisation du chargeur de batterie.

N'utilisez pas votre fauteuil avant d'avoir pris connaissance des informations contenues dans le présent manuel (et tous ceux qui l'accompagnent).

Si l'un des fascicules venait à manquer lors de la livraison de votre fauteuil, veuillez le signaler immédiatement à votre revendeur. Outre le manuel d'utilisation, il existe également un manuel technique destiné au personnel qualifié.

1.2 Informations complémentaires

Adressez-vous à votre service après-vente Sunrise Medical, compétent et agréé, pour toute question concernant l'utilisation, la maintenance ou la sécurité de votre fauteuil roulant. S'il n'y a aucun revendeur près de chez vous ou si vous avez des questions, contactez-nous par courrier ou par téléphone à l'adresse suivante. Pour toute information sur les avis de sécurité et rappels de produits, rendez-vous sur www.sunrisemedical.fr

1.3 Symboles utilisés dans le manuel

 **DANGER/AVERTISSEMENT !**

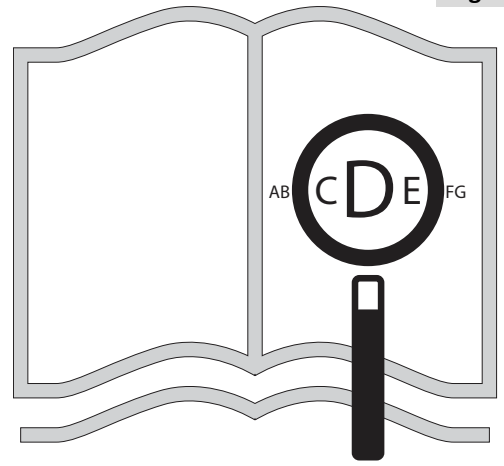
Risque potentiel de blessures, voire de blessures graves ou mortelles

 **REMARQUE/ATTENTION !**

Risque potentiel d'endommagement du matériel

Le non-respect des présentes instructions peut causer des blessures physiques, l'endommagement du matériel ou la dégradation de l'environnement.

Fig. 1.1



Si vous souffrez de déficience visuelle, ce document peut être consulté en format PDF sur www.sunrisemedical.fr



ou vous être envoyé en grands caractères, sur demande.



2.0 Sécurité

Respectez toujours scrupuleusement les consignes apparaissant en regard des symboles d'avertissement. Le non-respect des instructions peut causer des blessures physiques, l'endommagement du fauteuil roulant ou la dégradation de l'environnement. Dans la mesure du possible, les informations relatives à la sécurité sont fournies dans le chapitre consacré à ce sujet.

2.1 Symboles et étiquettes relatifs à l'assise apposés sur le produit

Les signes, symboles et instructions apposés sur le fauteuil roulant font partie de l'ensemble des mesures de sécurité. Ils ne doivent jamais être recouverts, ni retirés. Ils doivent rester en place et être clairement lisibles tout au long de la durée de vie du fauteuil roulant.

Tout signe, symbole et instruction illisible ou endommagé doit être immédiatement remplacé ou réparé. Pour toute assistance, contactez votre revendeur.

Fig. 2.1 : Avertissement – Risque de pincement des doigts

Fig. 2.2 : Avertissement – Vérifier que le verrou à libération rapide de l'interface d'assise est bien serré avant d'utiliser le fauteuil, surtout en pente

Fig. 2.3 : Avertissement – N'utilisez pas votre fauteuil en pente avec le dossier incliné et/ou le siège en position verticale.

2.2 Sécurité : Température

DANGER/AVERTISSEMENT !

- Évitez tout contact physique avec les moteurs du fauteuil roulant. Les moteurs étant en mouvement permanent durant l'utilisation du fauteuil roulant, ils peuvent atteindre des températures élevées. Une fois éteints, les moteurs refroidissent lentement. Tout contact physique peut entraîner des brûlures. Après utilisation du fauteuil, laissez les moteurs refroidir pendant au moins 30 min.
- Pendant la non-utilisation de votre fauteuil, évitez de le laisser exposer à la lumière directe du soleil pendant des périodes prolongées. Certains composants du fauteuil, comme le siège, le dossier et les accoudoirs peuvent chauffer s'ils restent exposés au soleil pendant trop longtemps, risquant de provoquer des brûlures ou des réactions allergiques cutanées.

2.3 Sécurité : Organes mobiles

DANGER/AVERTISSEMENT !

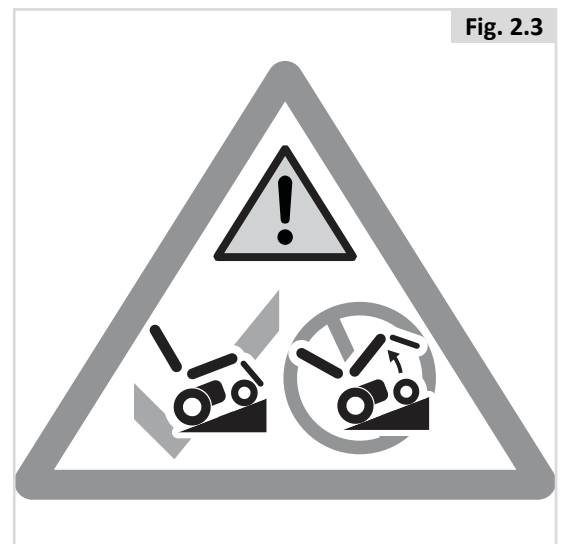
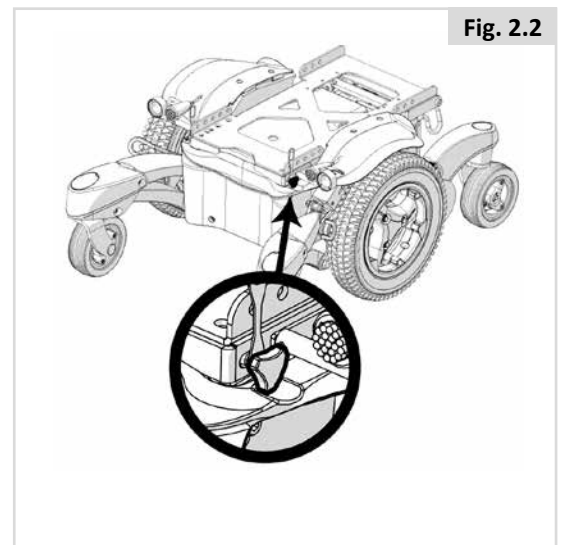
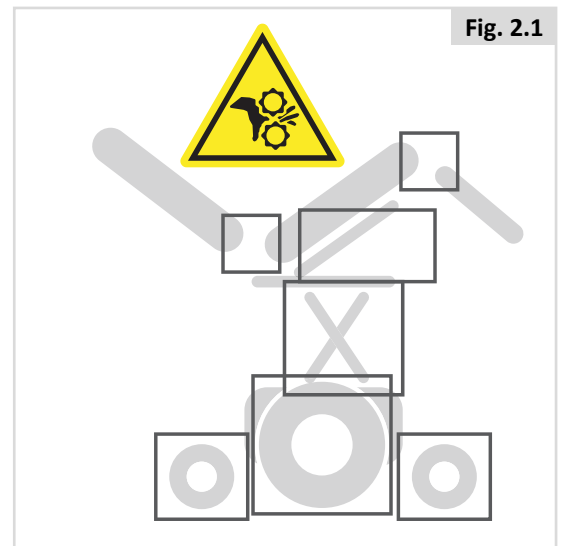
Le fauteuil roulant possède des pièces mobiles et rotatives. Tout contact avec les organes mobiles peut entraîner de graves blessures ou endommager le fauteuil. Il convient d'éviter tout contact avec les organes mobiles du fauteuil.

- Roues (arrière et avant)
- Mécanisme électrique de bascule d'assise
- Option d'élévation électrique du siège
- Mécanisme électrique d'inclinaison du dossier
- Support escamotable du boîtier de commande

2.4 Sécurité : Risque d'étouffement

DANGER/AVERTISSEMENT !

Ce fauteuil est composé de petites pièces qui, dans certaines conditions, peuvent présenter un risque d'étouffement pour les jeunes enfants.



2.5 Sécurité : Tablettes

Sécurité : Support pour respirateur



L'utilisation d'un support pour respirateur a un impact sur la stabilité et la charge totale de votre fauteuil.

- Avant d'utiliser le fauteuil, vérifiez que le respirateur et ses batteries sont bien attachés au support.
- Familiarisez-vous avec les nouvelles dimensions du fauteuil pour éviter tout risque de collision.
- Lorsque vous inclinez le dossier, vérifiez que l'espace autour du support pour respirateur est libre.
- Il convient de préciser ici que le support pour respirateur représente un risque de pincement des doigts lorsque le dossier est incliné.
- Le support n'est pas prévu pour transporter autre chose que le respirateur et ses batteries ; il n'est pas prévu pour supporter une bouteille d'oxygène, etc. La présence d'un respirateur peut déstabiliser votre fauteuil.
- Le support pour respirateur doit être installé et contrôlé par un revendeur agréé Sunrise Medical.

Sécurité : Tablette escamotable :



- Le poids maximal autorisé sur la tablette est de 2,5 kg.
- Ne surchargez pas la tablette, ceci pourrait la casser ou rendre le fauteuil instable.
- Ne laissez pas de cigarette allumée ou d'autres sources de chaleur sur la tablette, car ceci pourrait la déformer et laisser des marques.
- Assurez-vous de ne pas vous pincer la peau ou de coincer vos vêtements pendant le positionnement de la tablette.

3.0 Description générale

Ce fauteuil est équipé d'un système d'assise Sedeo Pro. Le système d'assise Sedeo Pro assure un excellent soutien de la tête, du torse, des bras et des jambes. Un soutien optimal permet à l'utilisateur de bénéficier d'une indépendance maximale.

Le fauteuil doit être réglé par un spécialiste. Des réglages incorrects pourraient avoir des conséquences néfastes sur la posture de l'utilisateur.

Principaux composants (Fig. 3.1) :

1. Appui-tête
2. Joystick
3. Accoudoir
4. Coussin d'assise
5. Repose-jambe
6. Coussin de dossier

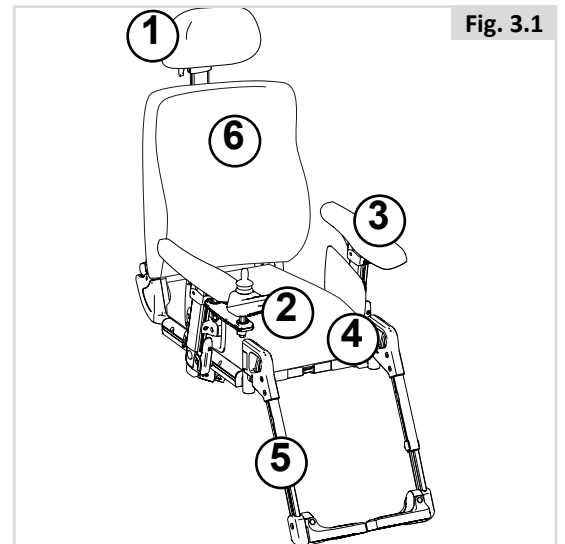


Fig. 3.1

4.0 Configuration du système d'assise

Il n'existe pas de profil commun à tous les utilisateurs de fauteuil roulant. C'est pourquoi les fauteuils Sunrise Medical peuvent être préalablement ajustés en fonction des besoins des utilisateurs.

Les réglages préalables sont effectués une seule fois, lorsque le fauteuil est sur le point d'être utilisé. Les réglages doivent être réalisés par un spécialiste, sauf indication contraire.

Outil et marques de calibrage

Une clé hexagonale M5 est fournie avec le système d'assise. Elle peut servir à ajuster les différents aspects du système d'assise. La clé hexagonale M5 (A) se range sous le châssis à l'emplacement indiqué à la figure 4.1.

⚠ REMARQUE/ATTENTION !

Vous trouverez des marques de calibrage sur divers éléments du système d'assise. Les réglages définis en usine sont indiqués.

4.1 Pré-réglage de la profondeur d'assise

Profondeur du dossier (Fig. 4.2) :

1. Desserrez (A) d'un tour.
2. Réglez (B) à la position désirée.
3. Resserrez (A).

⚠ REMARQUE/ATTENTION !

- Si vous souhaitez augmenter la profondeur d'assise, pensez à rallonger les câbles avant d'avancer la plaque d'assise.
- Il existe deux tailles de rails/plaques d'assise : 400-520 et 460-560 mm. Choisissez le rail adapté à la profondeur d'assise ainsi ajustée.
- Positionnez la plaque de profondeur d'assise supplémentaire à partir de PS 530 mm pour obtenir une stabilité accrue du long rail d'assise (Fig. 4.3).

Profondeur du coussin d'assise (Fig. 4.4)

Pour le coussin d'assise standard, utilisez les orifices indiqués à la Fig. 4.4. Pour obtenir plus de profondeur, vous pouvez positionner le coussin un cran vers l'avant.

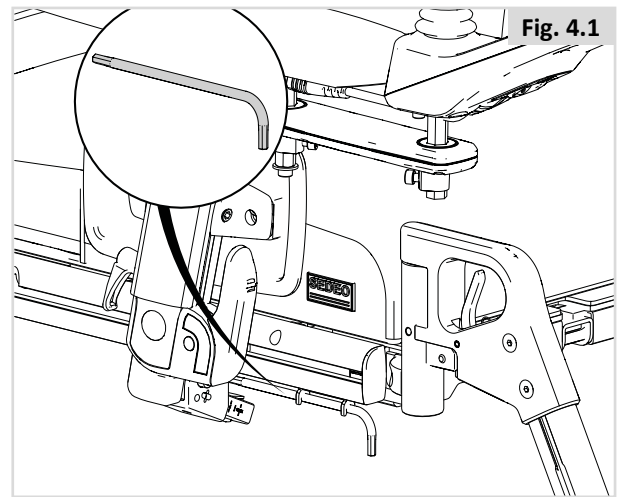


Fig. 4.1

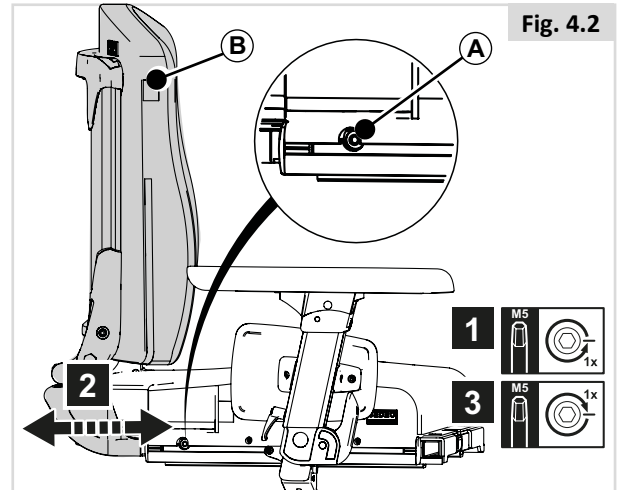


Fig. 4.2

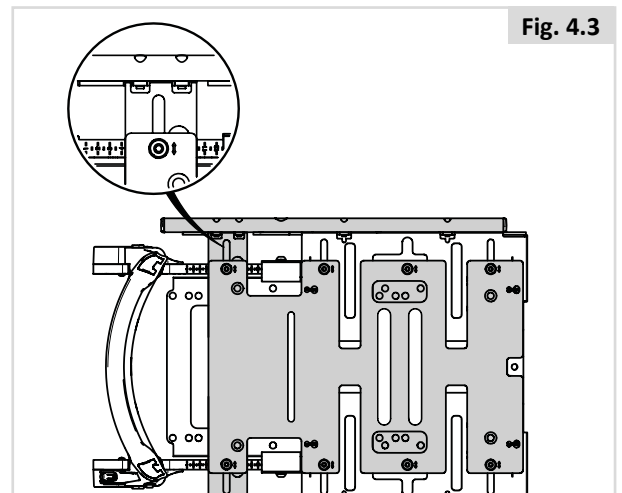


Fig. 4.3

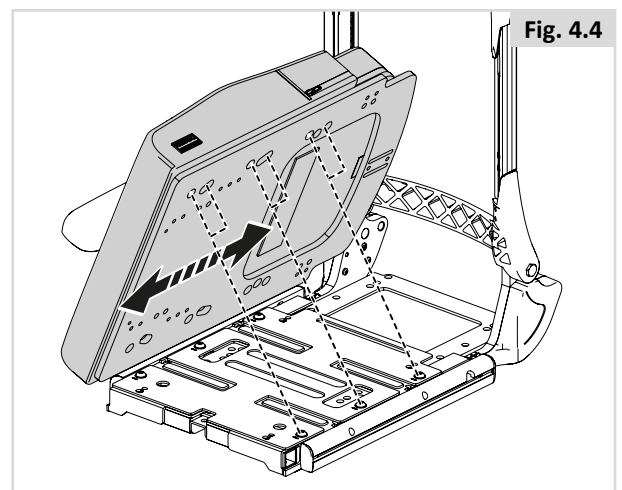


Fig. 4.4

4.2 Pré-réglage de la largeur d'assise

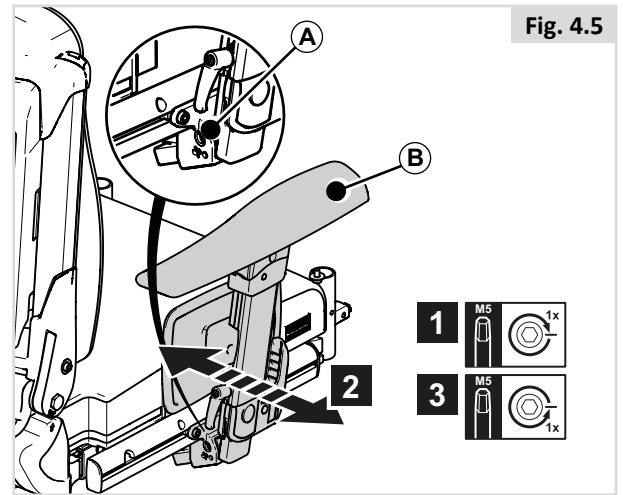
Largeur des accoudoirs relevables / accoudoirs amovibles à montant unique (Fig. 4.5)

De subtils ajustements peuvent être effectués sur le seul accoudoir. Pour des réglages plus importants, réglez également la largeur de la plaque d'assise.

1. Desserrez (A) d'un tour.
2. Réglez (B) à la position désirée.
3. Resserrez (A).

⚠ REMARQUE/ATTENTION !

- Vérifiez que la nouvelle position des accoudoirs n'entrave pas le bon positionnement du siège.

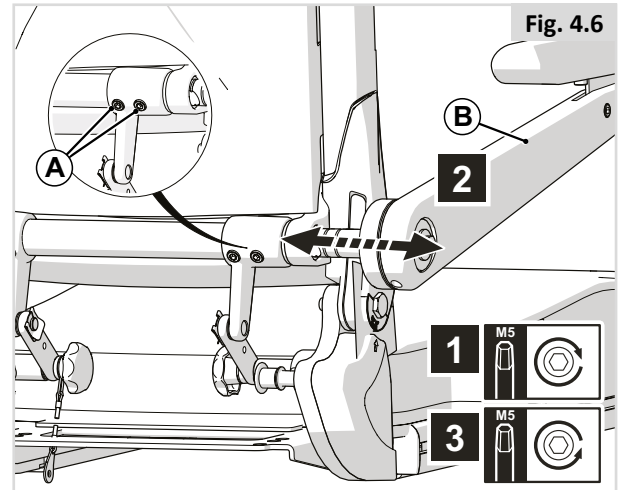


Largeur de l'accoudoir escamotable (Fig. 4.6)

1. Retirez les 2 vis (A)
2. Réglez (B) à la position désirée
3. Resserrez (A)

⚠ REMARQUE/ATTENTION !

- Vérifiez que la nouvelle position des accoudoirs n'entrave pas le bon positionnement du siège. En présence de câbles, vérifiez leur longueur.

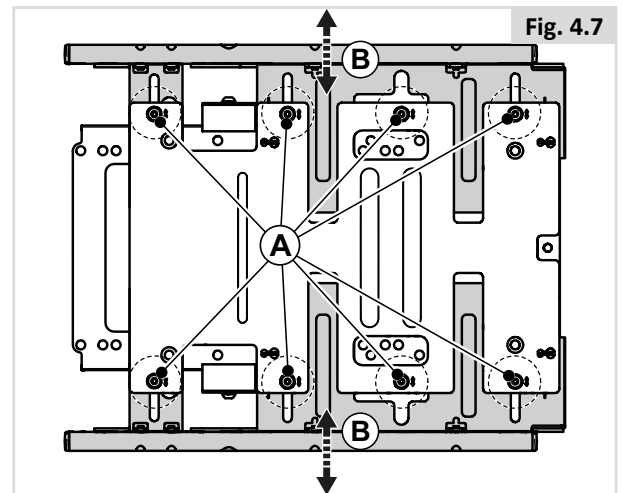


Largeur de la plaque d'assise (Fig. 4.7)

Soulevez le coussin d'assise et détachez-le des bandes Velcro® pour accéder à la plaque d'assise.

1. Desserrez (A) d'un tour.
2. Réglez (B) à la position désirée.
3. Resserrez (A).

La largeur du siège est indiquée par l'échelle de mesure le long de chaque rainure.



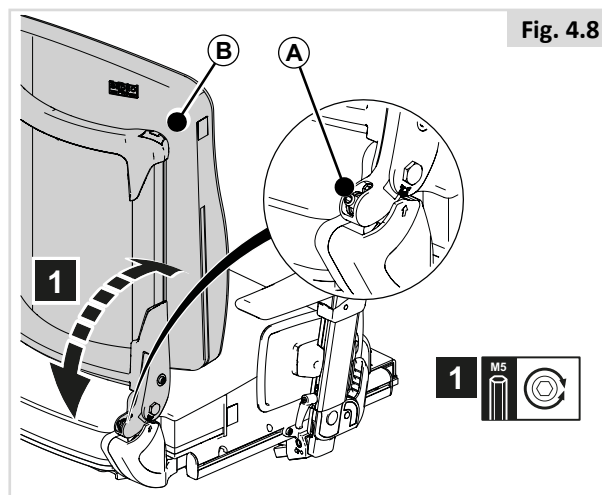
4.3 Pré-réglage du dossier

Angle d'inclinaison du dossier (Fig. 4.8)

1. Tournez (A) pour pouvoir régler (B).

⚠ REMARQUE/ATTENTION !

NE pas utiliser d'outil électrique pour procéder à cet ajustement.



Position neutre du dossier inclinable (Fig. 4.9 - 4.10)

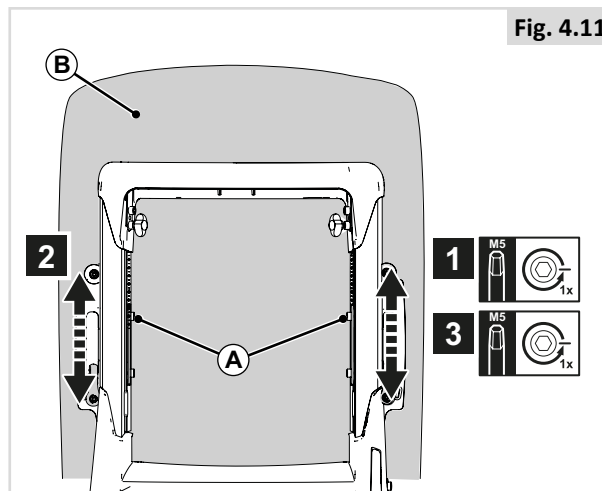
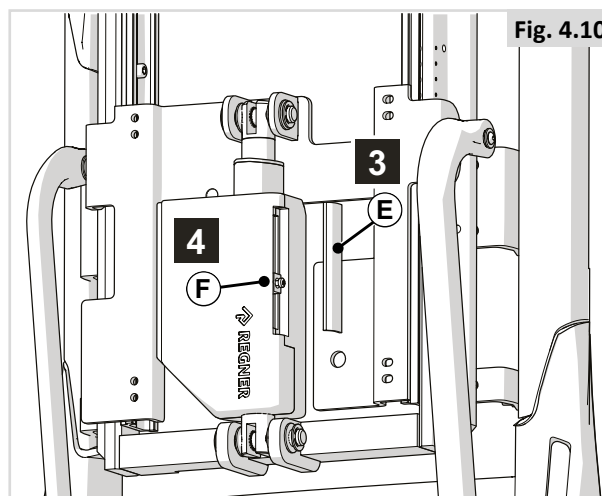
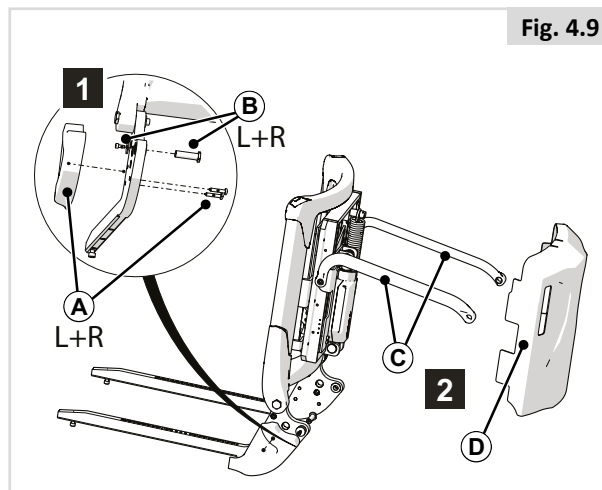
1. Retirez les vis (A+B) et pivotez (C).
2. Retirez le cache (D).
3. Retirez 2 vis pour déposer le cache du vérin (E).
4. Desserrez (F) d'un tour.
5. Réglez à la position désirée.
6. Resserrez (F).

⚠ REMARQUE/ATTENTION !

Après avoir retiré la vis (B), soutenez le dossier pour éviter qu'il ne bascule vers l'avant ou l'arrière.

Réglage de la hauteur d'un dossier fixe (Fig. 4.11)

1. Desserrez (A) d'un tour.
2. Réglez (B) à la position désirée.
3. Resserrez (A).



Réglage de la hauteur d'un dossier inclinable (Fig. 4.12)

1. Desserrez (A) d'un tour.
2. Réglez (B) à la position désirée.
3. Resserrez (A).

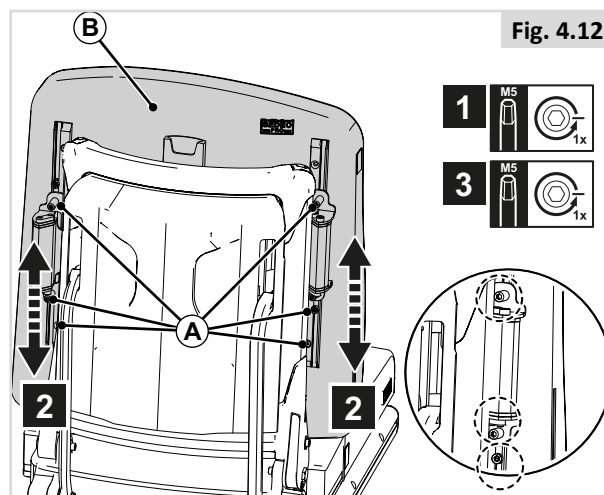


Fig. 4.12

Réglage de l'angle du support latéral flexible (Fig. 4.13)

1. Desserrez (A) d'un tour.
2. Réglez (B) à la position désirée.
3. Resserrez (A).

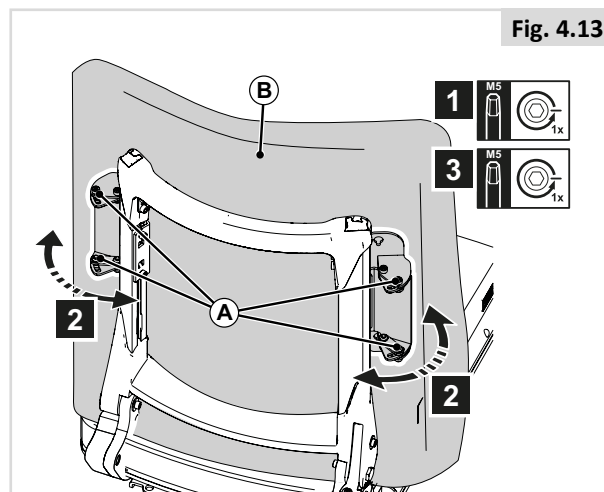



Fig. 4.13

Courbure du dossier flexible (Fig. 4.14)

Le fauteuil possède un dossier rembourré pouvant être ajusté en fonction de la courbure du dos afin de garantir une position assise confortable et une bonne stabilité. L'utilisateur peut être assis dans son fauteuil pendant le réglage de la courbure du dossier.

1. Ouvrez la fermeture à glissière
2. Appuyez sur A pour libérer la sangle
3. Desserrez ou resserrez chaque sangle individuellement
4. Relâchez A pour régler la sangle à la longueur ainsi obtenue

Dossier J3 (Fig. 4.15)

 REMARQUE : Le dossier Jay 3 est compatible avec le système d'assise Sedeo Pro. Vous trouverez les consignes de montage et de réglage dans le manuel d'utilisation du dossier J3.

4.4 Pré-réglage des accoudoirs relevables / des accoudoirs escamotables / des accoudoirs amovibles**Hauteur de l'accoudoir (Fig. 4.16)**

1. Desserrez (A) d'un tour.
2. Réglez (B) à la position désirée.
3. Resserrez (A).

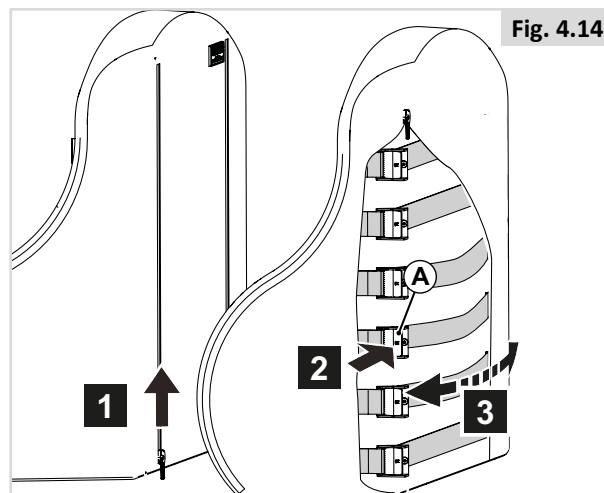


Fig. 4.14

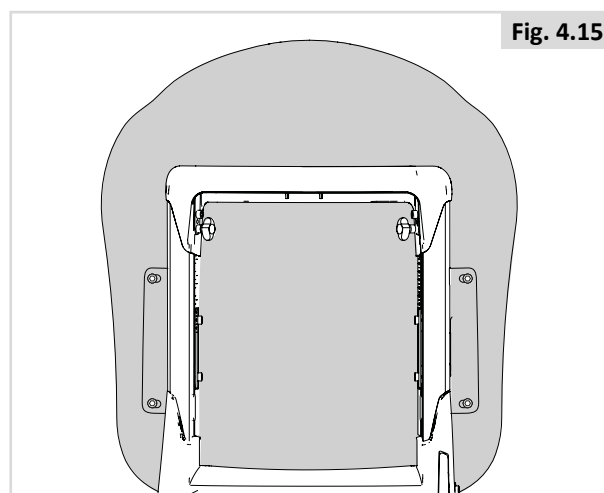


Fig. 4.15

Vérifiez que le bras est correctement soutenu sans pour autant que l'épaule ne soit poussée vers l'avant.

Profondeur de l'accoudoir (Fig. 4.17)

1. Desserrez (A) d'un tour.
2. Réglez (B) à la position désirée.
3. Resserrez (A).

Reculez l'accoudoir escamotables pour obtenir plus d'espace pour les transferts vers l'avant. Avancez l'accoudoir pour obtenir un soutien accru lors des transferts vers l'avant.

Profondeur de la manchette (Fig. 4.18)

1. Desserrez (A) d'un tour.
2. Réglez (B) à la position désirée.
3. Resserrez (A).

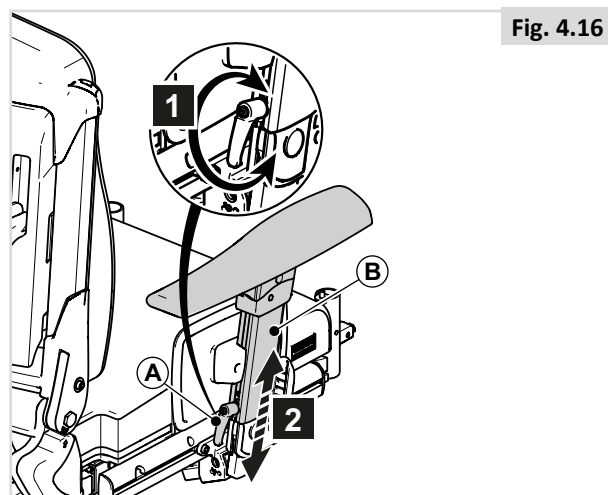


Fig. 4.16

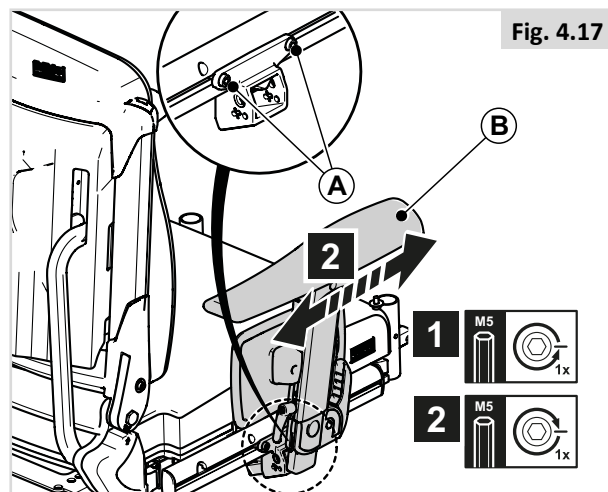


Fig. 4.17

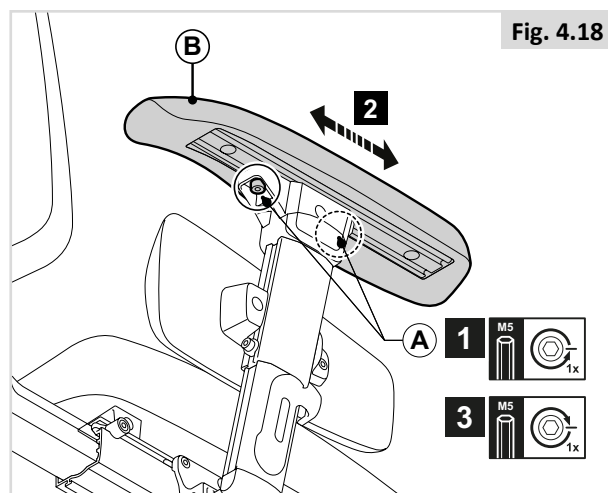


Fig. 4.18

Largeur de la manchette (Fig. 4.19 - 4.22)**Dépose :**

1. Desserrez (A).
2. Retirez (B).
3. Desserrez (E) d'un tour.
4. Retirez (F).

Positionnement :

1. Glissez (A) sur D avec la rainure B ou C

! REMARQUE/ATTENTION !

Vérifiez que la butée de fin de course s'enclenche bien dans l'ouverture prévue à cet effet

1. Réglez la profondeur de (A), puis serrez (E).
2. Positionnez le boîtier de commande.
3. Positionnez l'accoudoir.

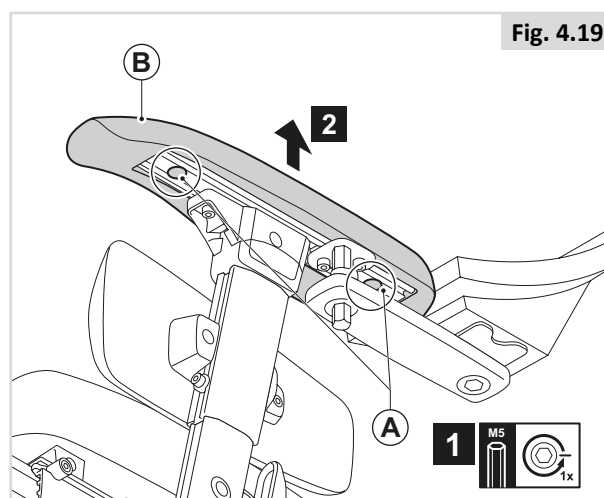


Fig. 4.19

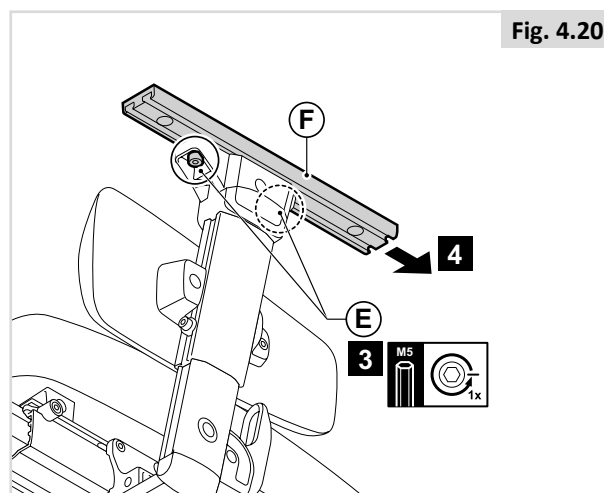


Fig. 4.20

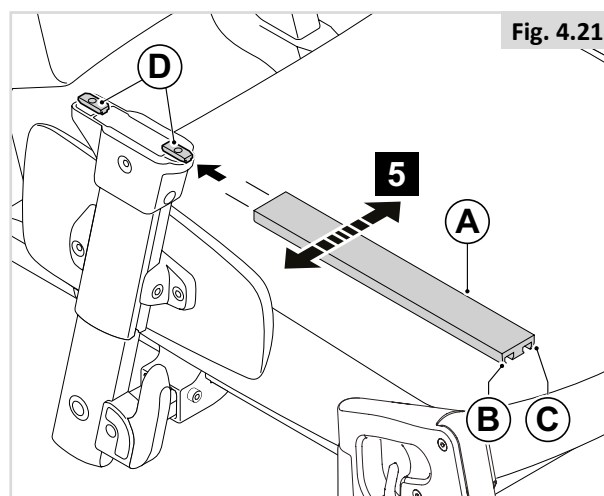


Fig. 4.21

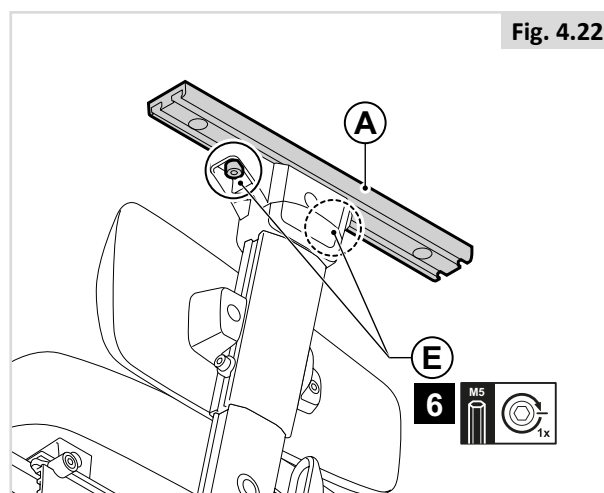


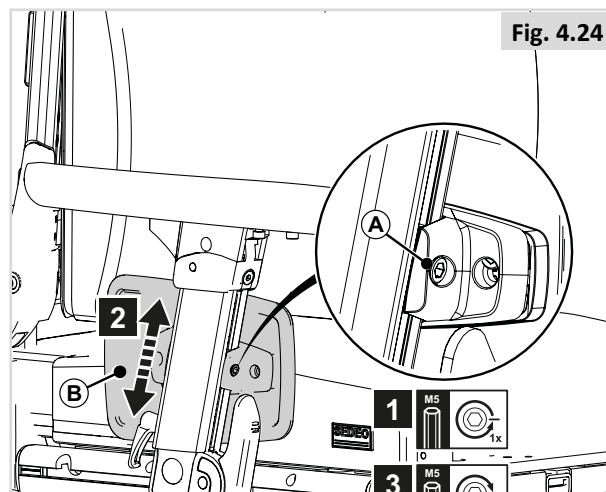
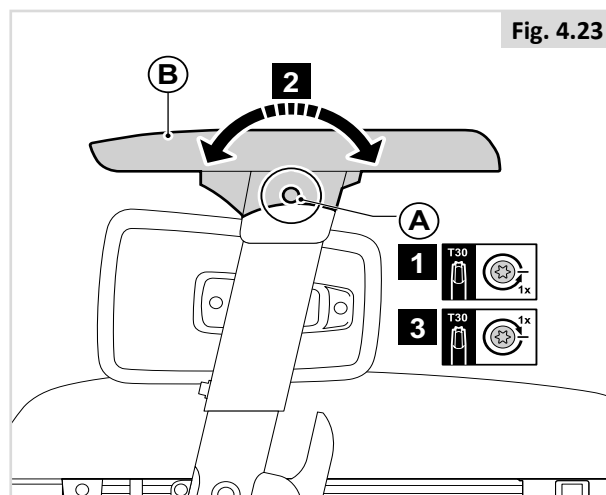
Fig. 4.22

Angle de l'accoudoir (Fig. 4.23)

1. Desserrez (A) d'un tour.
2. Réglez (B) à la position désirée.
3. Resserrez (A).

Hauteur du protège-vêtement (Fig. 4.24)

1. Desserrez (A) d'un tour.
2. Réglez (B) à la position désirée.
3. Resserrez (A).



4.5 Pré-réglage des accoudoirs relevables

Hauteur de l'accoudoir

Quel que soit le degré de réglage requis, le processus se fait en deux étapes :

PARTIE 1 (Fig. 4.25)

1. Tournez (A) pour pouvoir régler (B).

PARTIE 2 (Fig. 4.26)

1. Desserrez (A) d'un tour.
2. Réglez (B) à la position désirée.
3. Resserrez les deux vis.

Profondeur de la manchette (Fig. 4.27)

1. Desserrez (A) d'un tour.
2. Réglez (B) à la position désirée.
3. Resserrez (A).

REMARQUE

Pour atteindre facilement la vis arrière des accoudoirs dont la hauteur est faible, desserrez les vis (A) de la Fig. 4.24 et inclinez la manchette pour rendre la vis plus accessible.

DANGER/AVERTISSEMENT !

Vérifiez régulièrement le serrage de toutes les vis. Si les vis sont desserrées, la manchette peut glisser au moment de poser le bras dessus.

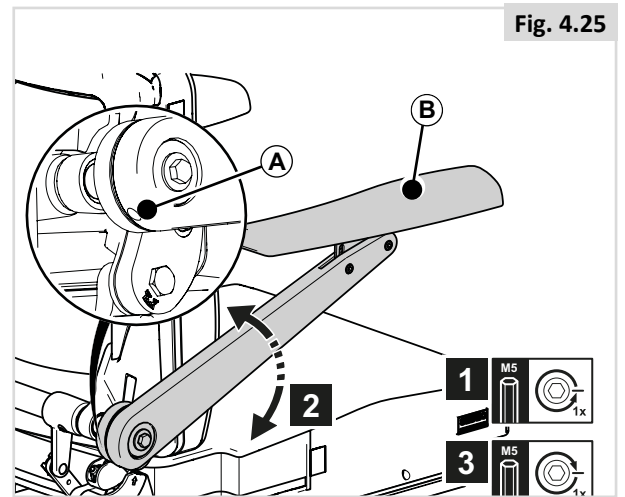


Fig. 4.25

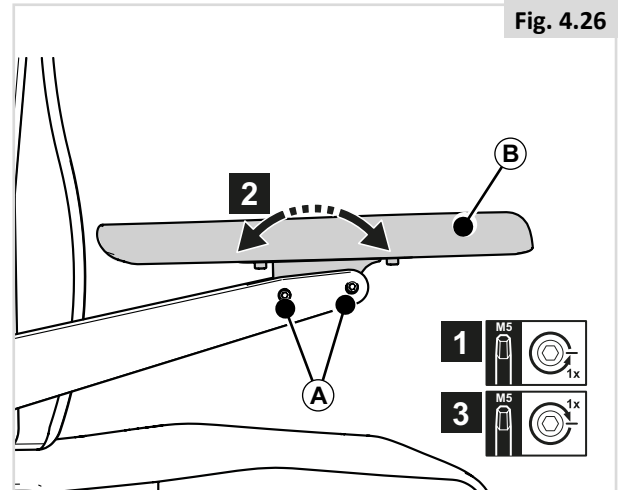


Fig. 4.26

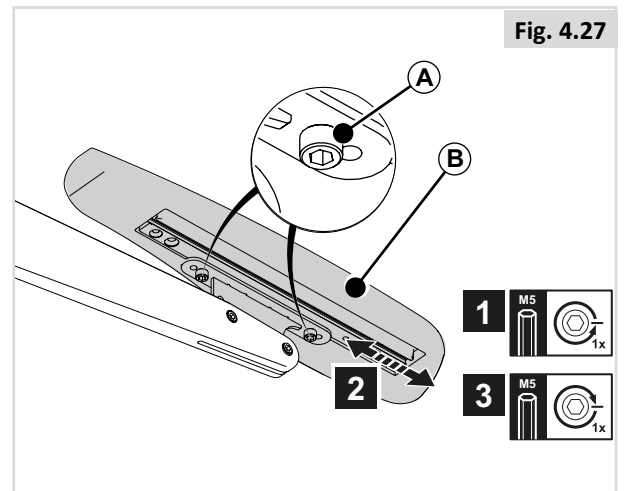


Fig. 4.27

4.6 Protège-vêtement

Hauteur du protège-vêtement (Fig. 4.28)

1. Dévissez (A).
2. Réglez (B) à la position désirée.
3. Resserrez (A).

Profondeur du protège-vêtement (Fig. 4.29)

1. Desserrez (A) d'un tour.
2. Réglez (B) à la position désirée.
3. Resserrez (A).

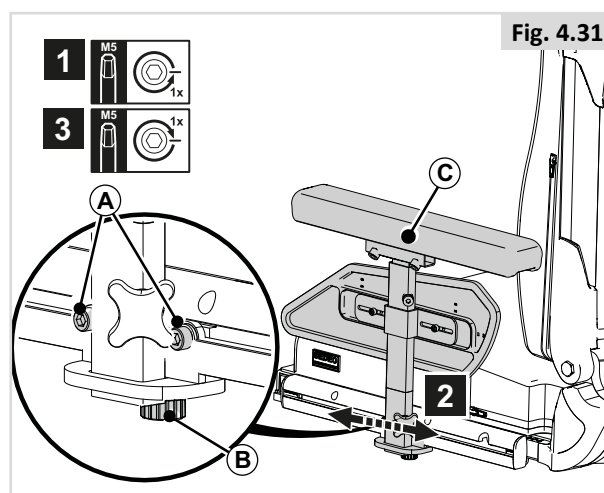
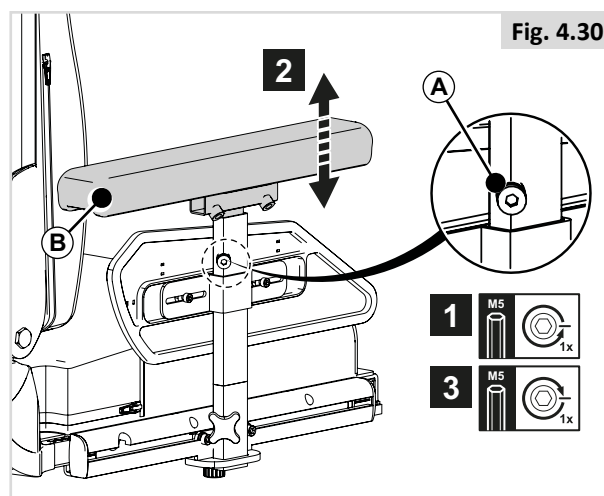
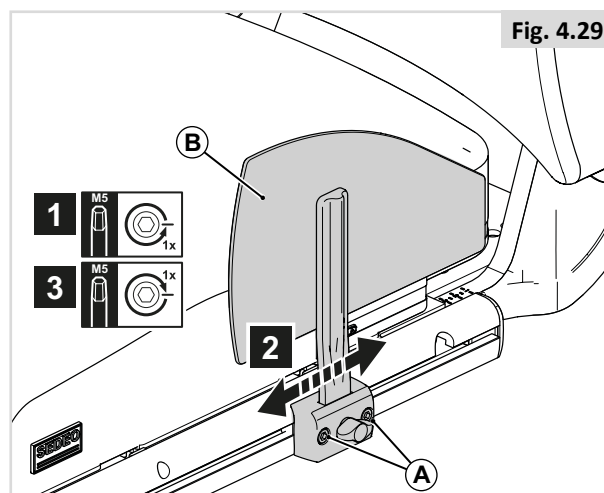
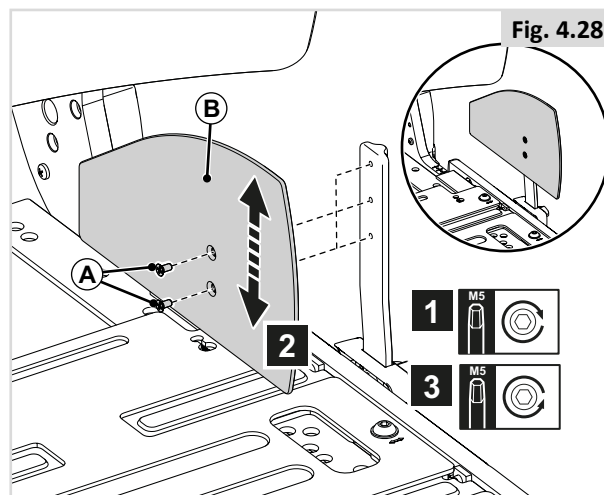
4.7 Pré-réglage des accoudoirs amovibles SEDEO Lite

Hauteur de l'accoudoir (Fig. 4.30)

4. Desserrez (A) d'un tour.
5. Réglez (B) à la position désirée.
6. Resserrez (A).

Profondeur de l'accoudoir (Fig. 4.31)

1. Desserrez (A) d'un tour.
2. Desserrez (B).
3. Réglez (C) à la position désirée.
4. Resserrez (A) et (B).



4.8 Pré-réglage du repose-jambe central

Longueur du segment jambier (Fig. 4.32)

1. Desserrez (A) d'un tour.
2. Réglez (B) à la position désirée.
3. Resserrez (A).

REMARQUE/ATTENTION !

Vérifiez qu'il y a suffisamment d'espace sous les palettes (B) pour que le fauteuil puisse surmonter les obstacles sans entrave.

Angle genou (Fig. 4.33)

1. Desserrez (A) de deux tours.
2. Réglez (B) à la position désirée.
3. Resserrez (A).

REMARQUE/ATTENTION !

Si la palette touche les roues avant, réglez la hauteur ou l'angle d'inclinaison du genou.

Inclinaison de la palette (Fig. 4.34)

1. Relevez (A).
2. Tournez (B) pour ajuster l'angle à l'inclinaison désirée.
3. Rabaissez (A).

Hauteur de l'appui-mollet central (Fig. 4.35)

1. Desserrez (A) d'un tour.
2. Réglez (B) à la position désirée.
3. Resserrez (A).

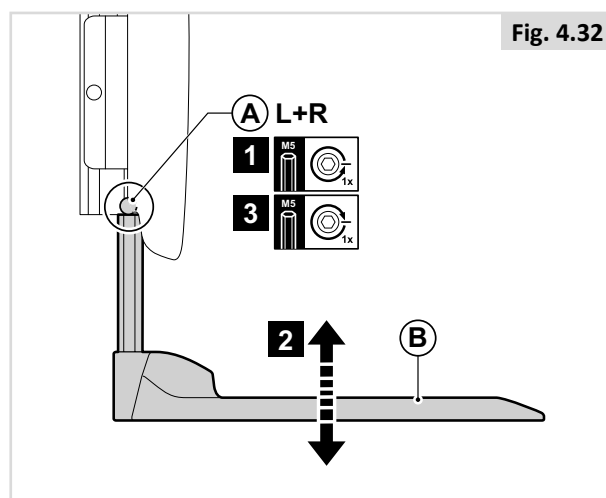


Fig. 4.32

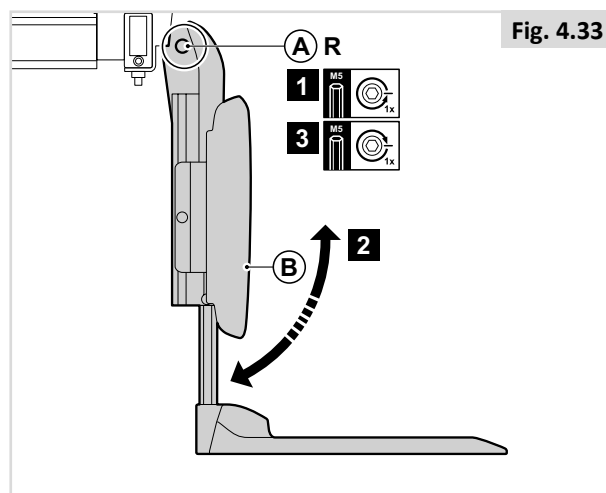


Fig. 4.33

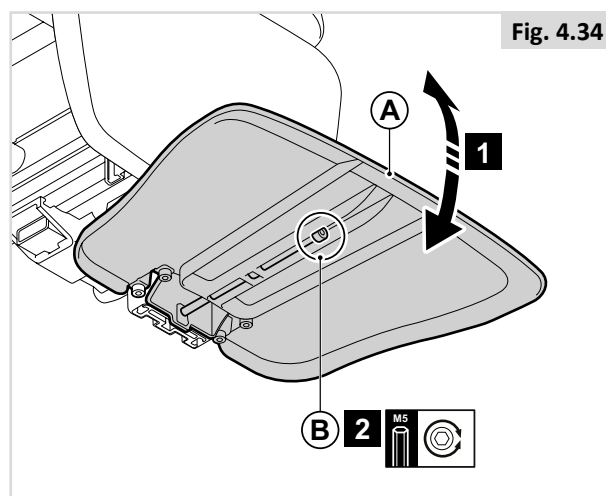


Fig. 4.34

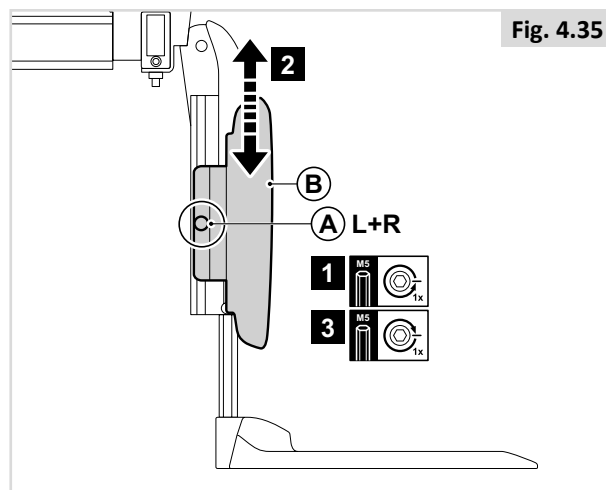


Fig. 4.35

4.9 Pré-réglage du repose-jambe central

Longueur du segment jambier (Fig. 4.36)

1. Desserrez (A) d'un tour.
2. Réglez (B) à la position désirée.
3. Resserrez (A)
4. Faites pareil de l'autre côté.

Inclinaison de la palette (Fig. 4.37)

1. Relevez (A).
2. Tournez (B) pour ajuster l'angle à l'inclinaison désirée (clé hexagonale de 4 mm).
3. Rabaissez (A).

DANGER/AVERTISSEMENT !

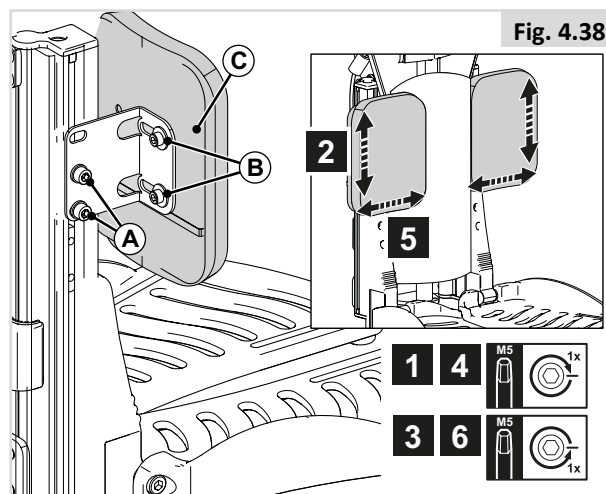
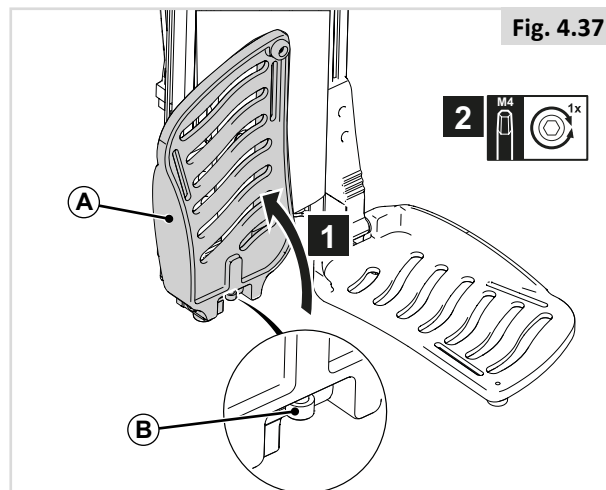
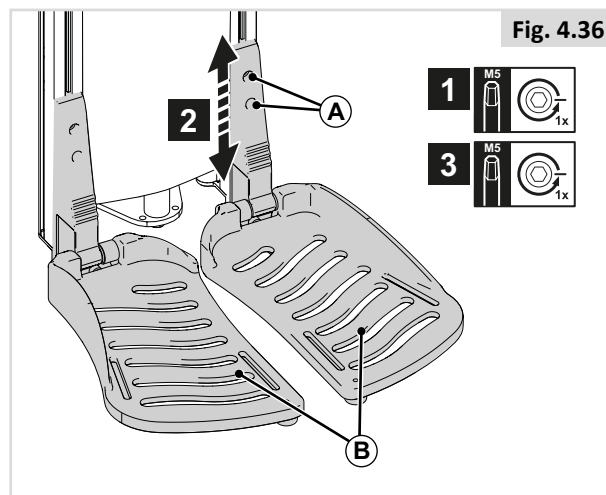
- Après ce réglage et avec le siège en position de conduite normale : Vérifiez qu'il y a toujours un espace supérieur à 25 mm entre le sol et la palette.
- Procédez à cette vérification avec l'utilisateur assis dans son fauteuil et les jambes placées dans les repose-jambes.
- L'utilisation du fauteuil avec les repose-jambes réglés trop bas peut entraîner des blessures ou endommager le fauteuil.

Hauteur de l'appui-mollet (Fig. 4.38)

1. Desserrez (A) d'un tour.
2. Réglez (C) à la position désirée.
3. Resserrez (A).

Largeur de l'appui-mollet (Fig. 4.38)

4. Desserrez (B) d'un tour.
5. Réglez (C) à la position désirée.
6. Resserrez (B).



4.10 Pré-réglage du repose-jambe central électrique

DANGER/AVERTISSEMENT !

- Toujours prêter attention à l'environnement dans lequel vous évoluez pour éviter de vous blesser lorsque les repose-jambes sont déployés.
- Avant d'utiliser le fauteuil, toujours s'assurer que les repose-jambes ou les repose-pieds n'entrent pas en contact avec les roulettes.
- Ne soulevez et ne portez jamais un fauteuil en l'attrapant par le repose-pieds.
- Comme avec tout organe mobile, veillez à ne pas vous pincer les doigts, (Fig. 4.39).

Longueur du segment jambier (Fig. 4.40)

Le repose-jambe central électrique permet un réglage de l'angle entre 90° et 180° par rapport au sol et une extension électrique de 180 mm.

1. Desserrez (A) d'un tour.
2. Réglez (B) à la position désirée.
3. Resserrez (A).
4. Faites pareil de l'autre côté.

REMARQUE/ATTENTION !

En présence de la fonction optionnelle de la descente de la palette au sol (Fig. 4.41), un commutateur est monté. La hauteur du commutateur (A) doit être réglée après avoir ajusté le segment jambier. Veillez à ce que la bille (B) du commutateur se trouve bien en-dessous du bord inférieur du repose-pied.

Inclinaison de la palette (Fig. 4.42)

1. Relevez (A).
2. Tournez (B) pour ajuster l'angle à l'inclinaison désirée (clé hexagonale de 4 mm).
3. Rabaissez (A).

DANGER/AVERTISSEMENT !

- Après ce réglage et avec le siège en position de conduite normale : Vérifiez qu'il y a toujours un espace supérieur à 25 mm entre le sol et la palette.
- Procédez à cette vérification avec l'utilisateur assis dans son fauteuil et les pieds placés sur le repose-jambe.

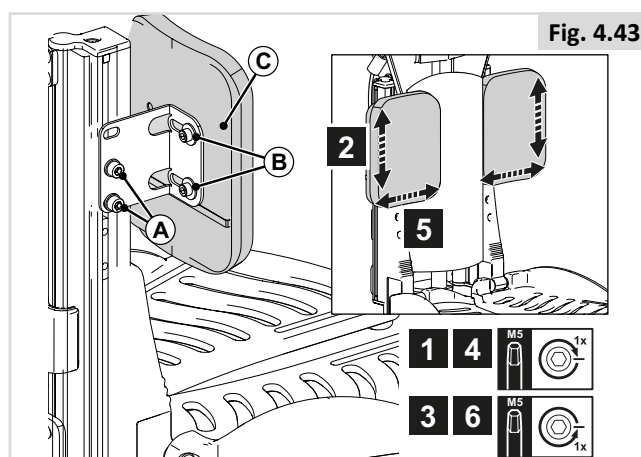
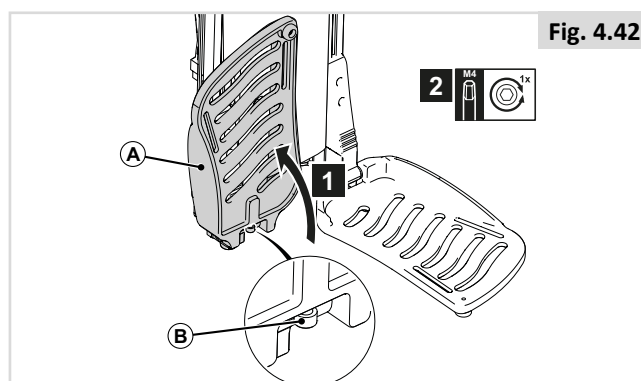
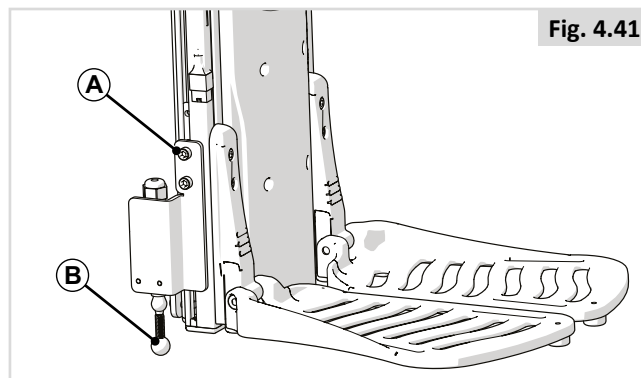
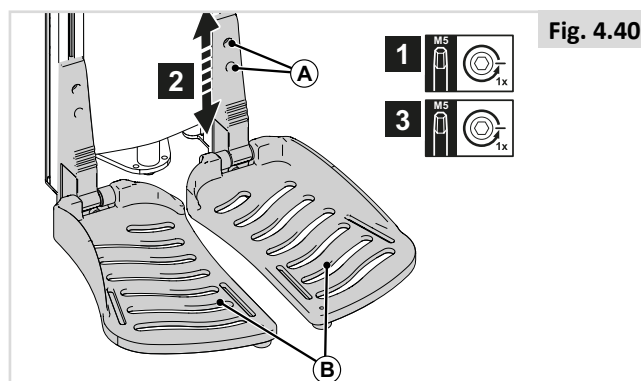
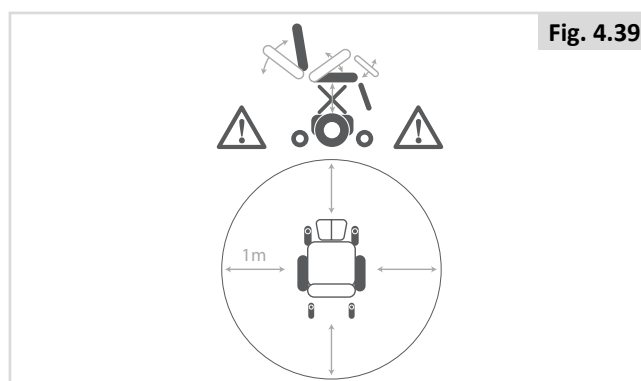
L'utilisation du fauteuil avec le repose-jambe réglé trop haut peut entraîner des blessures ou endommager le fauteuil.

Hauteur de l'appui-mollet (Fig. 4.43)

1. Desserrez (A) d'un tour.
2. Réglez (C) à la position désirée.
3. Resserrez (A).

Largeur de l'appui-mollet (Fig. 4.43)

4. Desserrez (B) d'un tour.
5. Réglez (C) à la position désirée.
6. Resserrez (B).



4.11 Pré-réglage des repose-jambes escamotables

Largeur des repose-jambes (Fig. 4.44)

1. Desserrez (A) d'un tour.
2. Réglez (B) à la position désirée.
3. Resserrez (A).

Longueur du segment jambier (Fig. 4.45)

1. Desserrez (A) d'un tour.
2. Réglez (B) à la position désirée.
3. Resserrez (A).

⚠ REMARQUE/ATTENTION !

Vérifiez qu'il y a suffisamment d'espace sous les palettes (B) pour que le fauteuil puisse surmonter les obstacles sans entrave.

Inclinaison de la palette (Fig. 4.46)

1. Desserrez (A) de quelques tours.
2. Réglez (B) à la position désirée.
3. Resserrez (A).

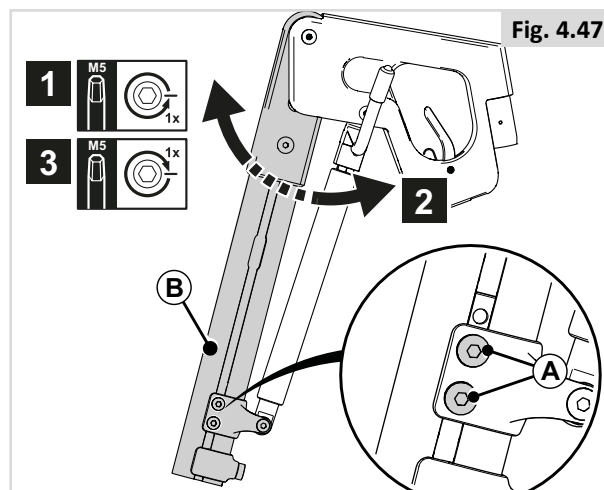
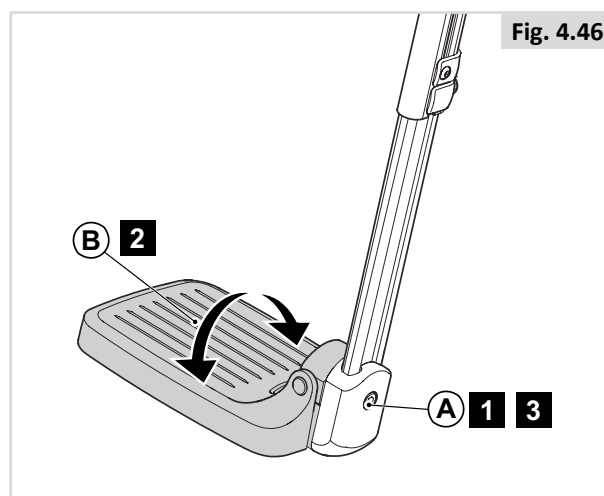
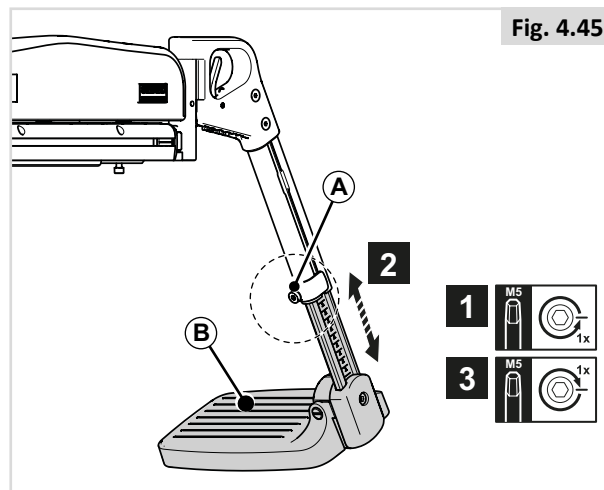
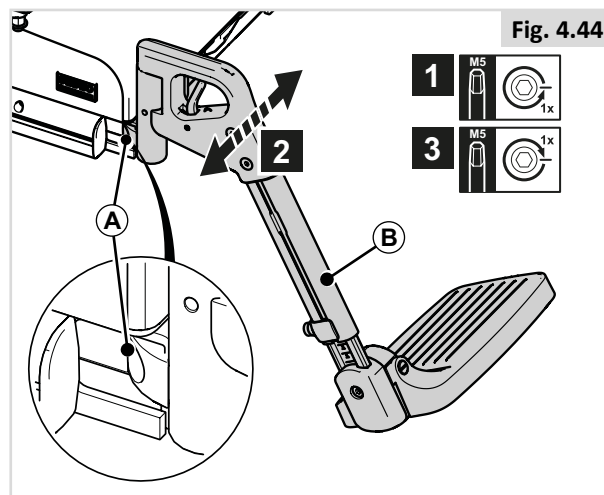
Repose-jambe articulé à inclinaison manuelle/électrique (Fig. 4.47)

Vous pouvez modifier la position des palettes en réglant l'inclinaison au niveau des genoux.

1. Desserrez (A) de quelques tours.
2. Réglez (B) à la position désirée.
3. Resserrez (A).

⚠ REMARQUE/ATTENTION !

Si la palette touche les roues avant, réglez la hauteur ou l'angle d'inclinaison du genou.



Hauteur de l'appui-mollet (Fig. 4.48)

1. Desserrez (A) de quelques tours.
2. Réglez (D) à la position désirée.
3. Resserrez (A).

Profondeur de l'appui-mollet (Fig. 4.48)

4. Desserrez (B) de quelques tours.
5. Réglez (D) à la position désirée.
6. Resserrez (B).

Largeur de l'appui-mollet (Fig. 4.48)

7. Desserrez (C) au dos de (D) de quelques tours.
8. Réglez (D) à la position désirée.
9. Resserrez (C).

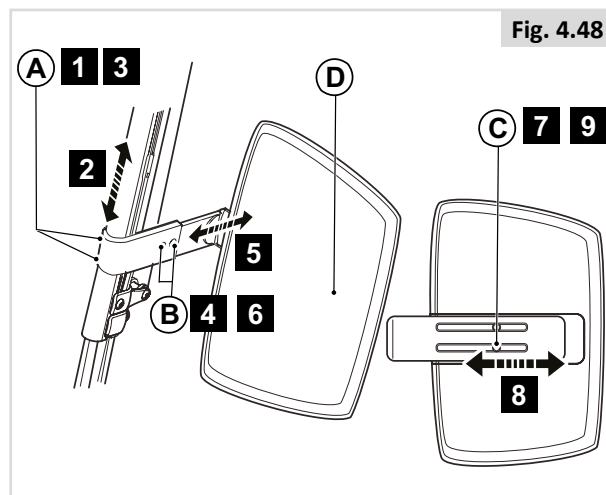


Fig. 4.48

4.12 Pré-réglage de l'appui-tête**⚠ DANGER/AVERTISSEMENT !**

- Si l'appui-tête a été commandé spécifiquement pour l'utilisateur/le fauteuil, n'utilisez jamais le fauteuil sans l'appui-tête.
- L'appui-tête doit impérativement être en place si l'utilisateur est transporté dans son fauteuil à bord d'un véhicule motorisé.

Hauteur de l'appui-tête (Fig. 4.49)

1. Desserrez (A) de quelques tours.
2. Réglez (B) à la position désirée.
3. Resserrez (A).

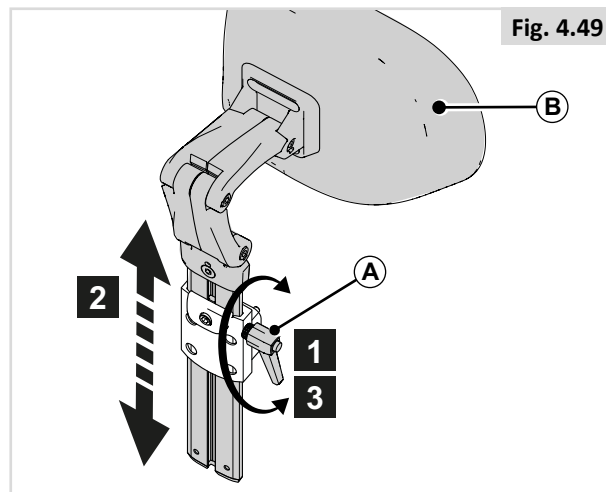


Fig. 4.49

Réglage Mémorisation (Fig. 4.50)

1. Desserrez (C) d'un tour.
2. Glissez (D) le plus bas possible.
3. Resserrez (C).

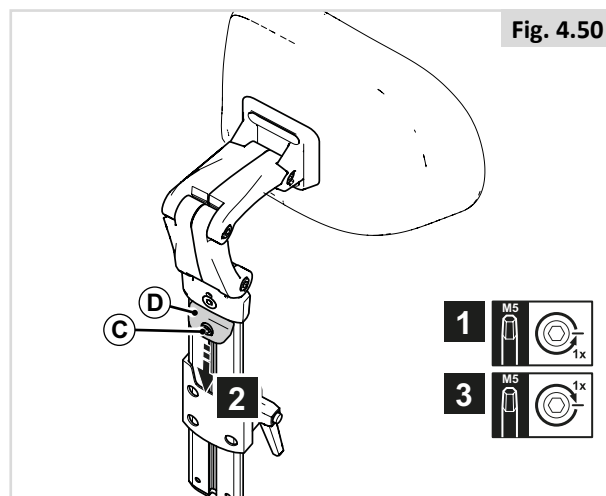


Fig. 4.50

Position de l'appui-tête (Fig. 4.51)

1. Desserrez (A) d'un tour.
2. Réglez (B) à la position désirée.
3. Resserrez (A).

⚠ REMARQUE/ATTENTION !

Ajustez la hauteur de l'appui-tête et inclinez le coussin à la position désirée.

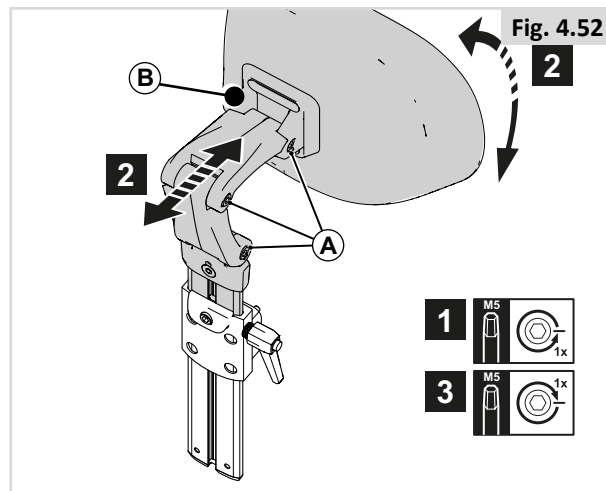
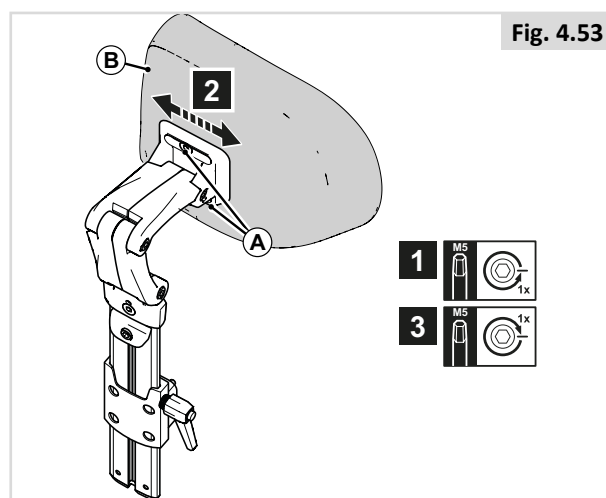


Fig. 4.52

Réglage de la largeur du coussin de l'appui-tête (Fig. 4.53)

1. Desserrez (A) d'un tour.
2. Réglez (B) à la position désirée.
3. Resserrez (A).



4.13 Pré-réglage du support du boîtier de commande fixe / escamotable

Profondeur du boîtier de commande (Fig. 4.54)

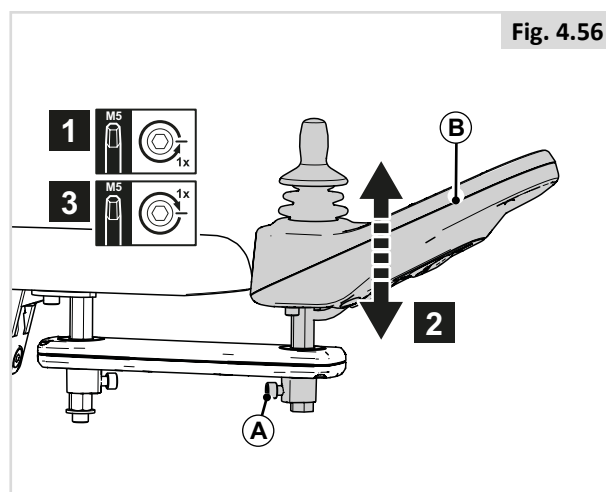
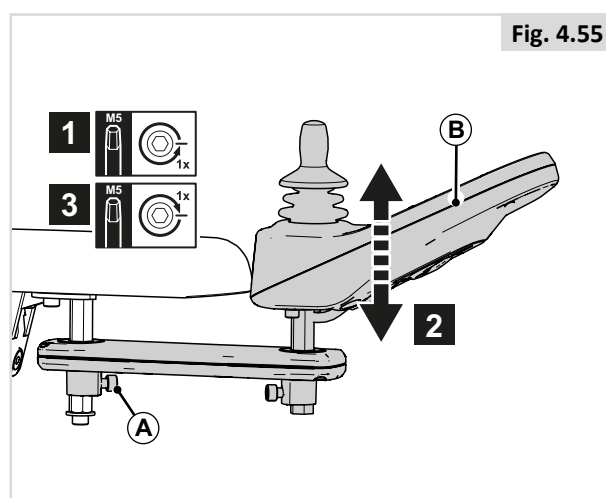
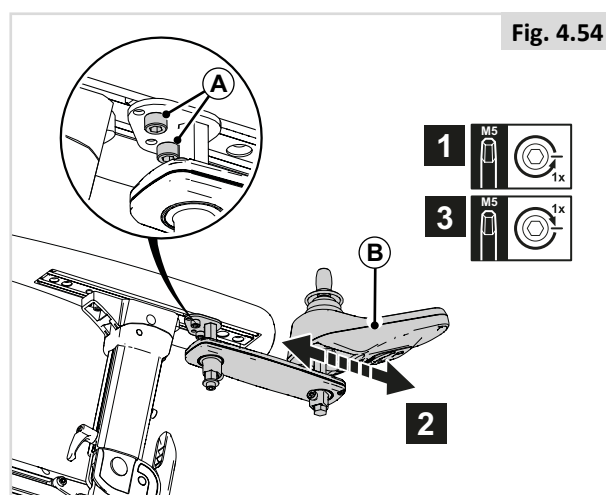
1. Desserrez (A) d'un tour.
2. Réglez (B) à la position désirée.
3. Resserrez (A).

Hauteur du boîtier de commande (1) (Fig. 4.55)

1. Desserrez (A) d'un tour.
2. Réglez (B) à la position désirée.
3. Resserrez (A).

Hauteur du boîtier de commande (2) (Fig. 4.56)

1. Desserrez (C) d'un tour.
2. Réglez (D) à la position désirée.
3. Resserrez (C).



4.14 Pré-réglage du cale cuisse

Hauteur du cale cuisse (Fig. 4.57)

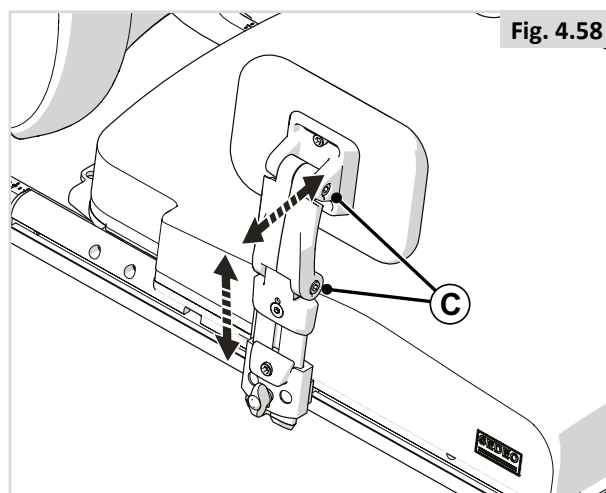
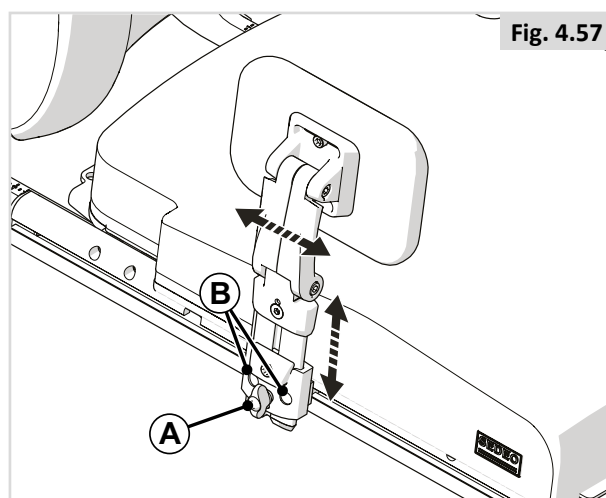
1. Desserrez (A) d'un tour.
2. Réglez à la position désirée.
3. Resserrez (A).

Profondeur du cale cuisse (Fig. 4.57)

1. Desserrez (A) d'un tour et levez le cale cuisse.
2. Desserrez les 2 vis (B) d'un tour.
3. Réglez à la position désirée.
4. Serrez (B), puis (A).

Largeur du cale cuisse (Fig. 4.58)

1. Desserrez (C) d'un tour.
2. Réglez à la position désirée.
3. Resserrez (C).



4.15 Pré-réglage des supports latéraux

Largeur des supports latéraux (Fig. 4.59)

1. Desserrez (A) complètement.
2. Réglez (B) à la position désirée.
3. Resserrez (A).

Hauteur des supports latéraux (Fig. 4.60)

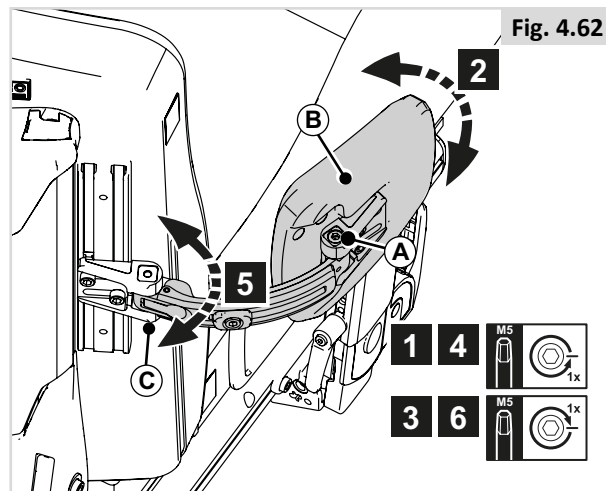
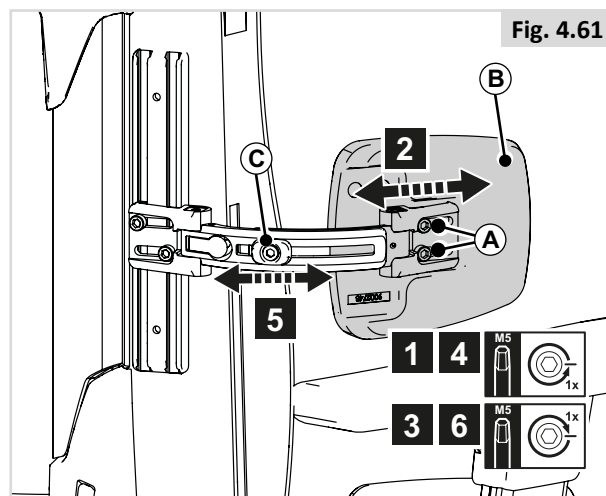
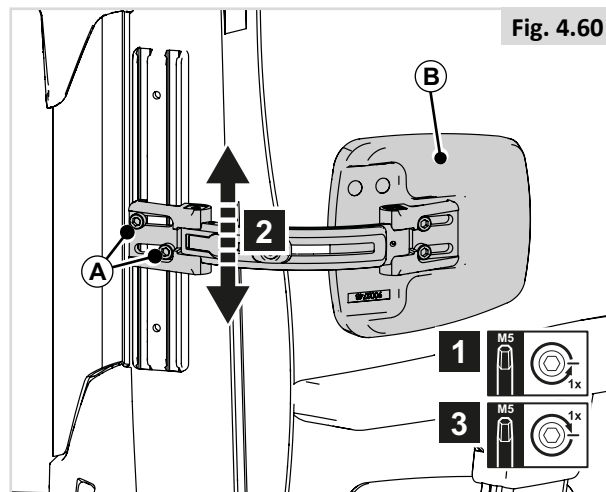
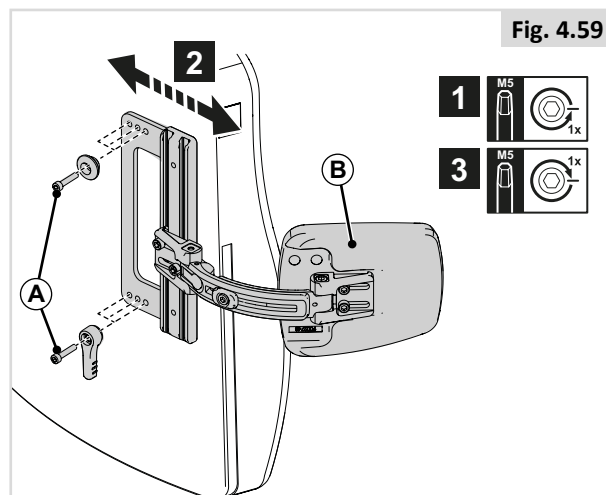
1. Desserrez (A) d'un tour.
2. Réglez (B) à la position désirée.
3. Resserrez (A).

Profondeur des supports latéraux (Fig. 4.61)

1. Desserrez (A) d'un tour.
2. Réglez (B) à la position désirée.
3. Resserrez (A).
4. Desserrez (C) d'un tour.
5. Réglez (B) à la position désirée.
6. Resserrez (C).

Angle d'inclinaison des supports latéraux (Fig. 4.62)

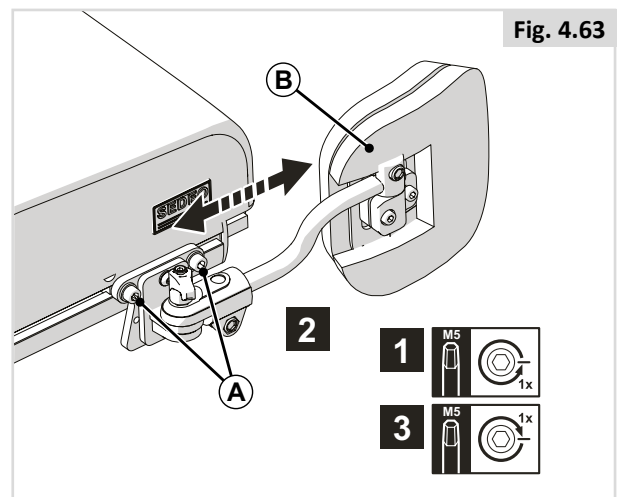
1. Desserrez (A) d'un tour.
2. Réglez (B) à la position désirée.
3. Resserrez (A).
4. Desserrez (C) d'un tour.
5. Réglez (B) à la position désirée.
6. Resserrez (C).



4.16 Pré-réglage du support latéral escamotable pour genou

Profondeur du cale genou (Fig. 4.63)

1. Desserrez (A) d'un tour.
2. Réglez (B) à la position désirée.
3. Resserrez (A).



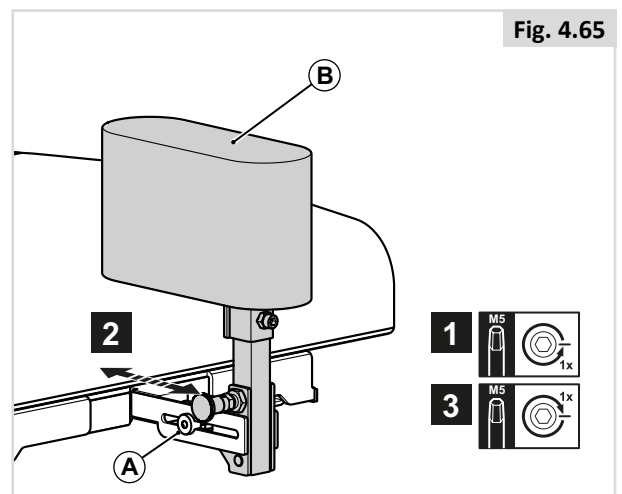
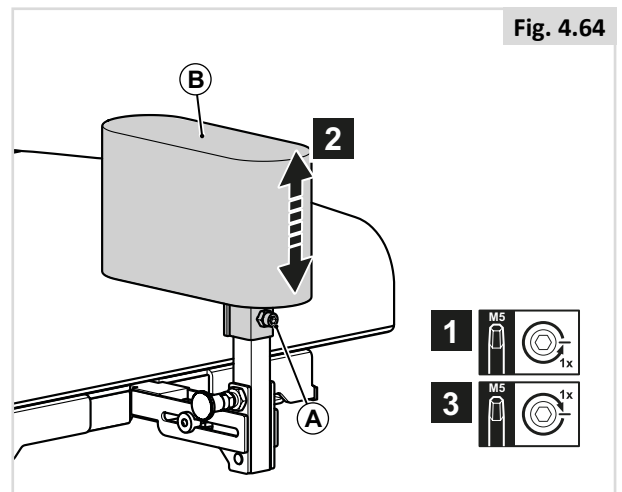
4.17 Pré-réglage du plot

Hauteur du plot (Fig. 4.64)

1. Desserrez (A) d'un tour.
2. Réglez (B) à la position désirée.
3. Resserrez (A).

Profondeur du plot (Fig. 4.65)

1. Desserrez (A) d'un tour.
2. Réglez (B) à la position désirée.
3. Resserrez (A).



4.18 Ceinture de bassin / ceinture de positionnement

DANGER/AVERTISSEMENT !

- Ce produit doit servir exclusivement à positionner une seule personne dans un fauteuil roulant.
- Les ceintures de bassin ne conviennent pas pour le transport ; un système de retenue homologué doit être utilisé à la place.
- Le non-respect de ces avertissements peut engendrer des blessures graves, voire fatales.
- L'aide-soignant ou l'accompagnateur doit avoir été formé à l'utilisation adéquate des ceintures.
- La présence d'un aide-soignant ou accompagnateur non formé peut ralentir l'intervention en situation d'urgence.

Installation d'une ceinture de bassin / ceinture de positionnement

1. Fixez (A) au châssis à l'aide d'une vis à gauche et à droite. (Fig. 4.67)

Positionnement correct avec une ceinture de bassin

- Pour le confort et la sécurité de l'utilisateur, tendez la ceinture de bassin de sorte à pouvoir seulement passer la main entre la sangle et les cuisses (Fig. 4.68).
- La sangle doit être normalement tendue de sorte à pouvoir passer la main dessous, en veillant toutefois à ce qu'elle ne soit pas trop lâche.
- En général, la ceinture de bassin doit être fixée de façon à ce que les sangles soient à un angle d'environ 45° (Fig. 4.69), et quand elle est correctement réglée, elle ne permet pas à l'utilisateur de glisser dans le siège.
- Posez la sangle sur le siège en plaçant la boucle d'ouverture sur votre droite pour un gaucher ou sur votre gauche pour un droitier. Passez une extrémité de la ceinture par l'ouverture entre les montants du dossier et le dossier.

DANGER/AVERTISSEMENT !

- Toujours vérifier que la ceinture sous-abdominale est bien fixée et correctement réglée avant d'utiliser le fauteuil.
- Une ceinture trop lâche peut entraîner la glisse de l'utilisateur et causer des blessures graves.
- Vérifiez régulièrement l'état de la ceinture et des composants de retenue afin de détecter l'apparition d'éventuels signes d'endommagement ou de déchirure. Remplacez la ceinture, si nécessaire.
- Lors des révisions, vérifiez le bon fonctionnement de la boucle d'ouverture et regardez s'il y a des signes d'usure sur la sangle ou les boucles en plastique.
- Vérifications et gestes courants :
- Comme avec tous les composants de positionnement, des ajustements correctifs sont à prévoir au fur et à mesure que la position d'assise du patient change avec le temps.
- Vérifier régulièrement le réglage des ceintures pour garantir la sécurité et le confort du patient.

Fig. 4.66

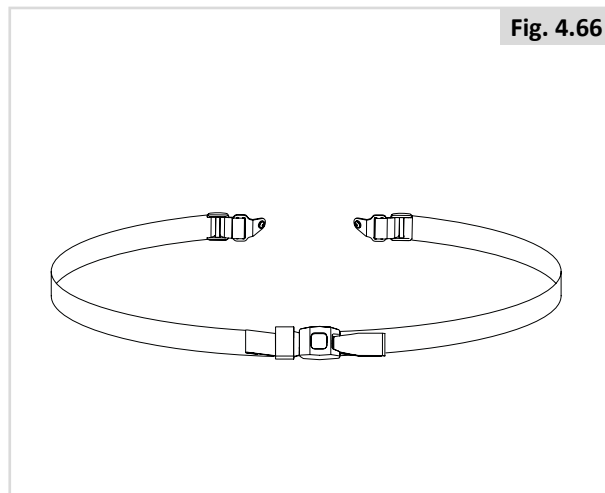


Fig. 4.67

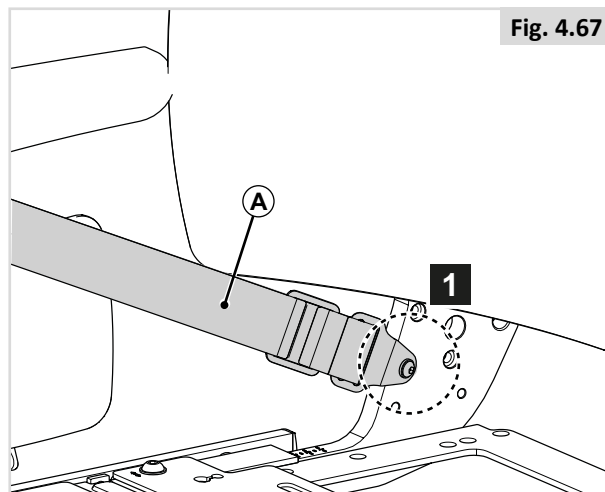


Fig. 4.68

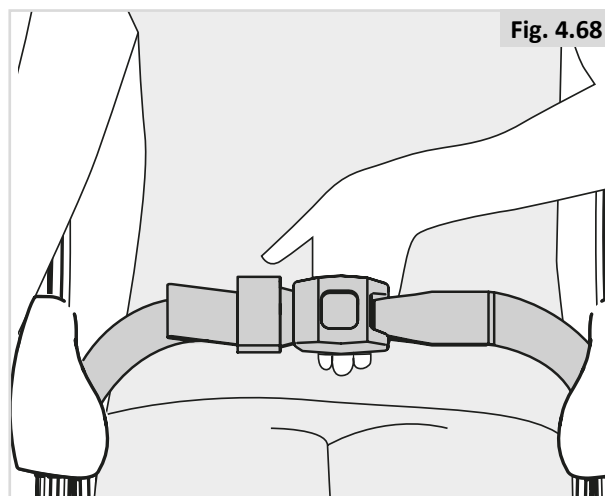
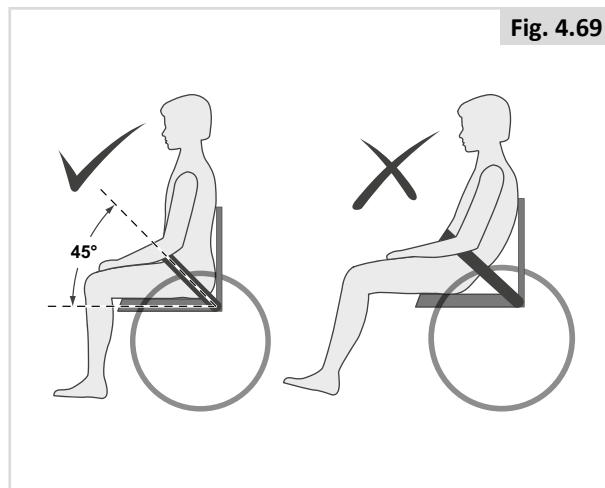


Fig. 4.69




5.0 Utilisation du système d'assise

5.1 Monter et descendre du véhicule (Transfert)

Sunrise Medical vous recommande de consulter un spécialiste qui vous aidera à développer une technique personnelle pour monter et descendre d'un fauteuil roulant, frontalement ou latéralement. Vous éviterez ainsi tout risque d'accident et d'éventuelles blessures.

DANGER/AVERTISSEMENT !

Pour éviter de tomber :

- Assurez-vous que le boîtier de commande soit éteint pendant les transferts pour éviter des mouvements indésirables. vous éviterez ainsi d'activer le joystick accidentellement et de faire déplacer votre fauteuil au moment où vous ne vous y attendez pas.
- Vérifiez que le levier de débrayage est position 'Conduite',  Manuel d'utilisation générale.
- Faites tourner les roues avant de sorte qu'elles soient orientées vers l'avant.
- Travaillez avec le professionnel de santé qui vous suit pour apprendre toutes les méthodes de transfert sûres.
- Assurez-vous que les freins moteurs sont enclenchés. Le fauteuil sera ainsi immobilisé.
- Il est dangereux de monter et de descendre du fauteuil lorsque vous êtes seul. Cela nécessite un bon équilibre et de l'agilité. Sachez qu'à chaque fois que vous montez ou descendez de votre fauteuil, il y a toujours un bref instant où celui-ci ne se trouve pas sous vous.
- Apprenez à positionner votre corps et à vous tenir lorsque vous montez ou descendez du fauteuil.
- Faites-vous aider jusqu'à ce que vous soyez capable de monter et descendre seul de votre fauteuil.
- Ne vous tenez jamais debout sur le repose-pied, car le poids de votre corps peut faire basculer le fauteuil vers l'avant et l'endommager.
- Veillez à pas vous coincer les pieds dans l'espace entre les repose-pieds.

5.2 Préparation pour un transfert vers l'avant

DANGER/AVERTISSEMENT !

Approchez le plus possible votre fauteuil du siège sur lequel vous souhaitez vous asseoir.

Repose-jambes escamotables (Fig. 5.1)

1. Relevez les palettes (A)
2. Basculez les appui-mollets (B) sur le côté (le cas échéant)
3. Si possible, enfoncez (C) vers l'arrière et rabattez les repose-jambes (D) sur le côté

Potence centrale (Fig. 5.2)

1. Relevez (A).

Repose-jambe central électrique (Fig. 5.3)

1. Relevez les deux palettes (A).

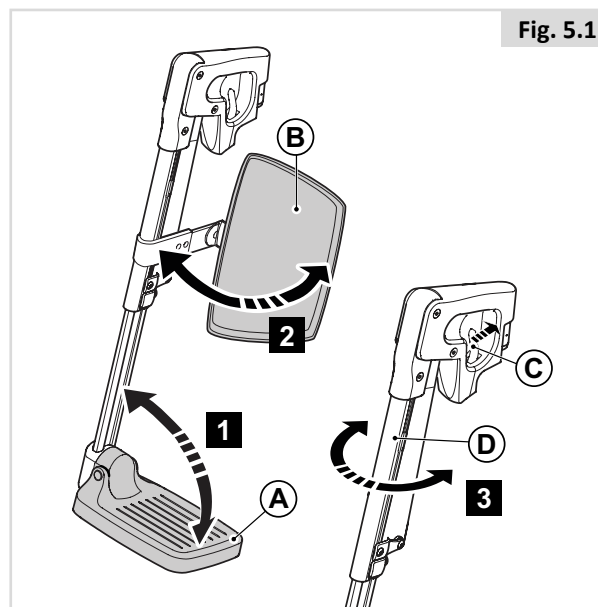


Fig. 5.1

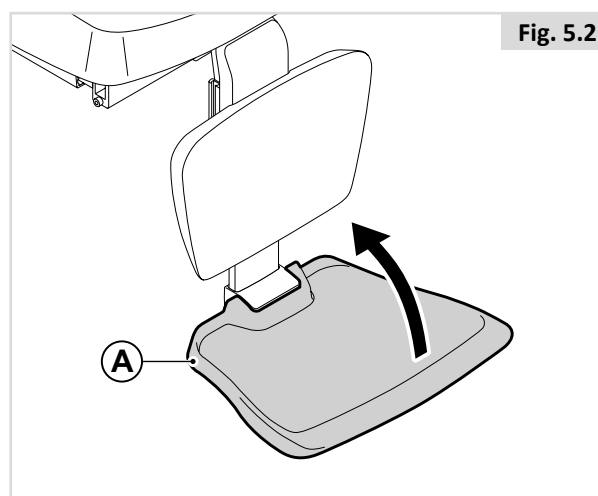


Fig. 5.2

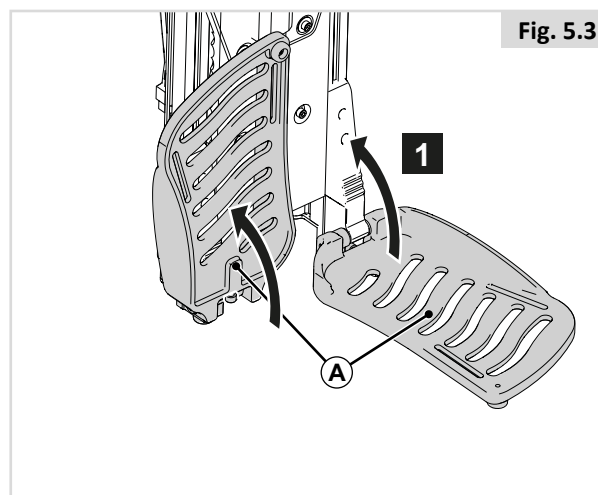


Fig. 5.3

5.3 Préparation pour un transfert latéral

DANGER/AVERTISSEMENT !

- Placez le système aussi près que possible du siège sur lequel vous voulez vous asseoir. Si possible, utilisez une plaque de transfert.
- Veillez à vous placer le plus au fond possible du siège. Cela réduira le risque de chute.

REMARQUE/ATTENTION !

- Avec certains modèles, il convient de rabattre le boîtier de commande sur le côté.
- Déposez le plateau avant de relever l'accoudoir.
- Ne prenez pas appui sur l'accoudoir lorsqu'il est relevé.

Accoudoir escamotable (Fig. 5.4)

1. Appuyez sur (A).
2. Rabattez (B) vers l'arrière

Accoudoir amovible Sedeo Pro (Fig. 5.5)

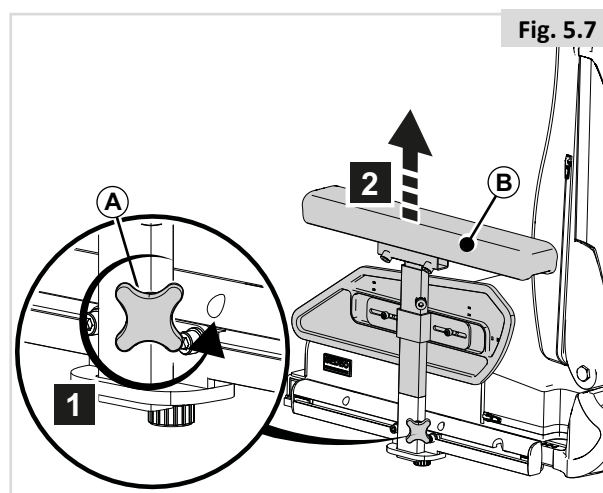
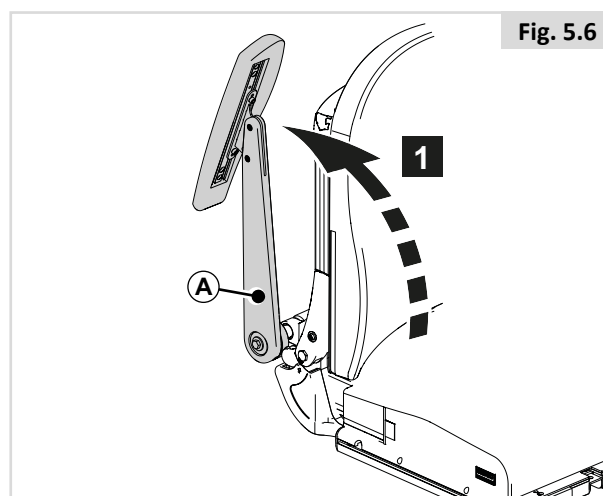
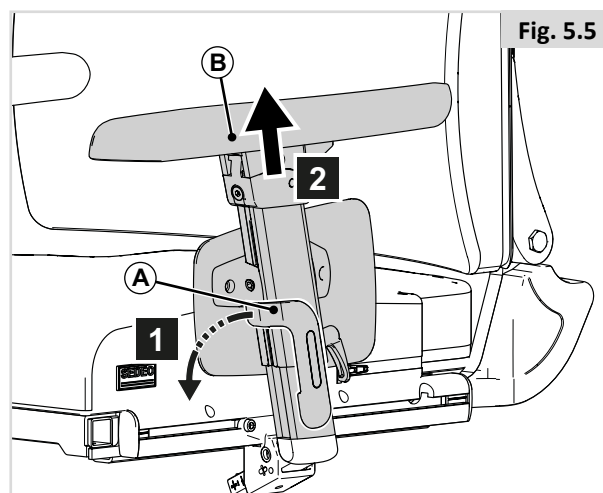
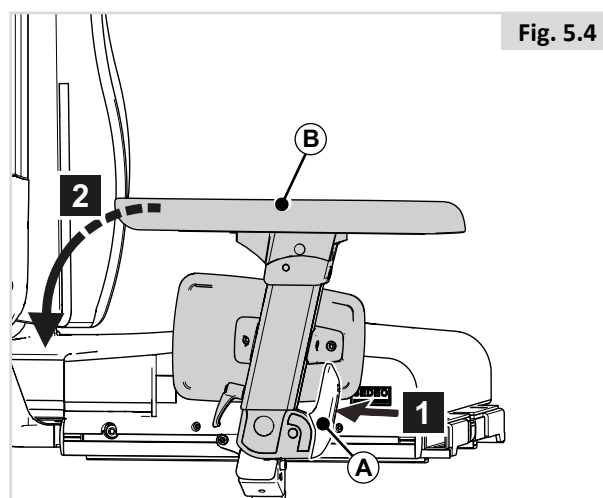
1. Abaissez (A).
2. Retirez (B).

Accoudoir relevable (Fig. 5.6)

1. Rabattez (A) vers l'arrière

Accoudoir amovible Sedeo (Fig. 5.7)

1. Desserrez (A).
2. Retirez (B).



5.4 Appui-tête

Retrait/positionnement de l'appui-tête (Fig. 5.8)

1. Relevez (A).
2. Glissez (B) dans ou hors de (C).
3. Rabaissez (A).

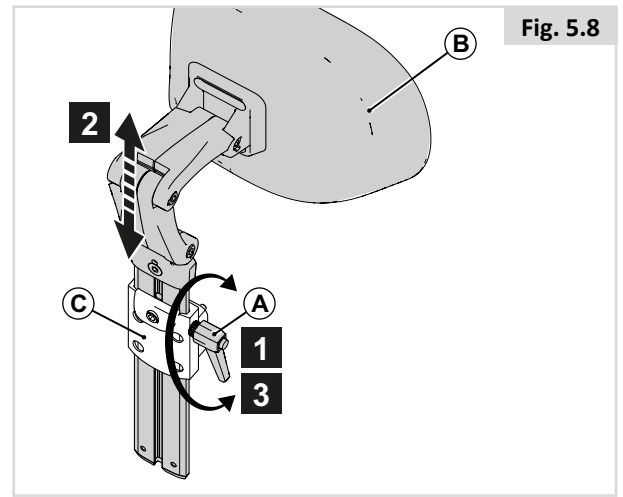


Fig. 5.8

5.5 Support de boîtier de commande escamotable

Le manipulateur possède un mécanisme qui permet de le verrouiller dans deux positions avancées. (Fig. 5.9)

Support escamotable du boîtier de fixation (Fig. 5.10).

1. Poussez (A) vers l'extérieur ou l'intérieur.
2. Pour revenir en position avancée, enfoncez la partie arrière du joystick pour le faire avancer jusqu'à enclenchement (clic sonore).

⚠ REMARQUE/ATTENTION !

Le mécanisme escamotable du support vous permet de vous approcher davantage d'une table. Le boîtier de commande reste alors parfaitement opérationnel.

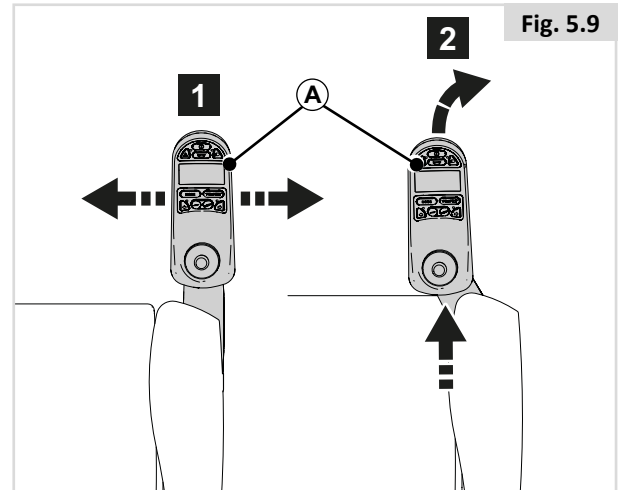


Fig. 5.9

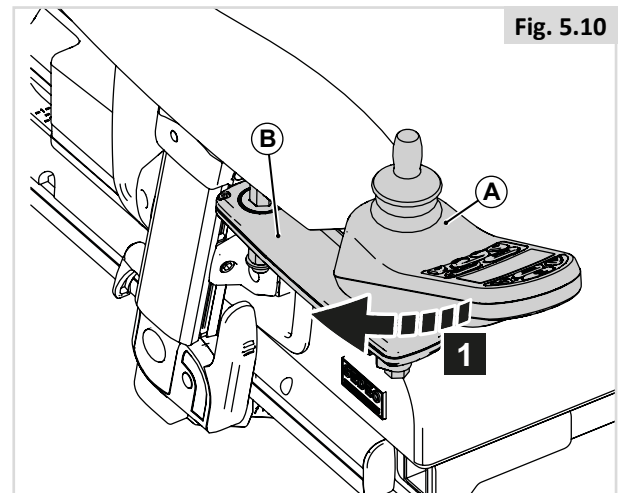


Fig. 5.10

5.6 Cales tronc (Fig. 5.11)

1. Enfoncez (A) pour basculer (B)

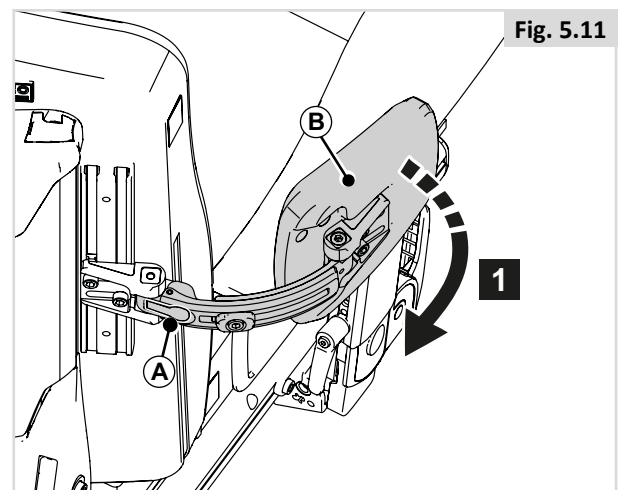
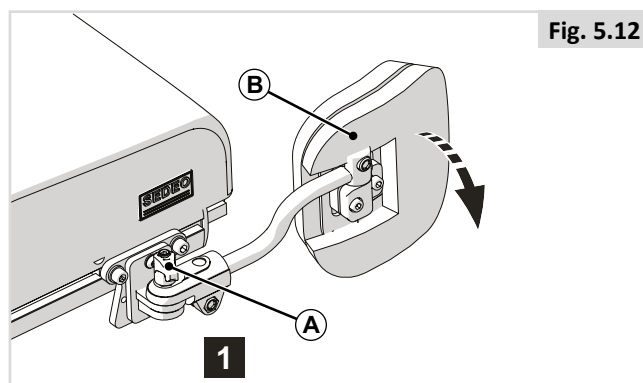


Fig. 5.11

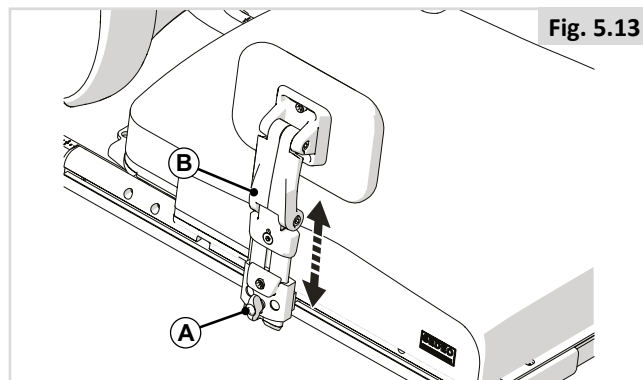
5.7 Cale genou (Fig. 5.12)

1. Desserrez (A) pour basculer (B)



5.8 Cale cuisse (Fig. 5.13)

1. Desserrez (A) d'un tour.
2. Retirez (B).

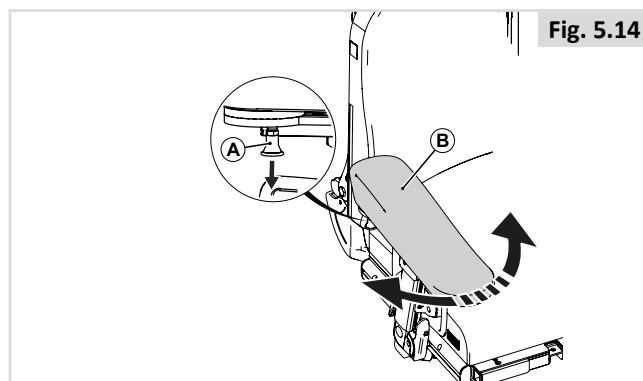


5.9 Accoudoir pour personne hémiplégique (Fig. 5.14)

1. Tirez sur (A) pour le sortir de la position verrouillée, et pivotez (B) à position désirée.

⚠ REMARQUE/ATTENTION !

Vérifiez que (B) est bien en place.

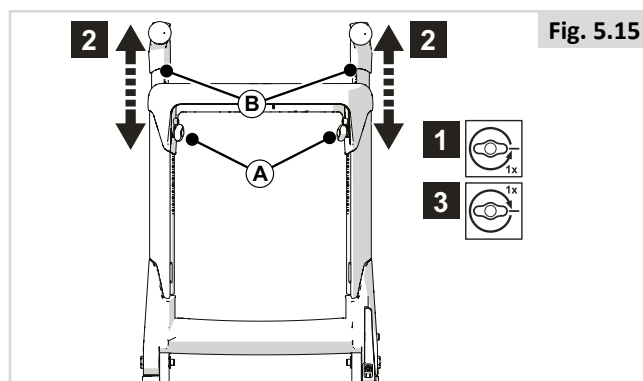


5.10 Hauteur des poignées (Fig. 5.15)

1. Desserrez (A) d'un tour.
2. Glissez (B) à la position désirée.
3. Resserrez (A).

⚠ DANGER/AVERTISSEMENT !

Les poignées ne doivent pas servir à basculer le fauteuil en arrière (par ex. pour franchir un trottoir). Le guidon n'est pas prévu à cet effet



5.11 Plot d'abduction (Fig. 5.16)

Abaissement du plot d'abduction

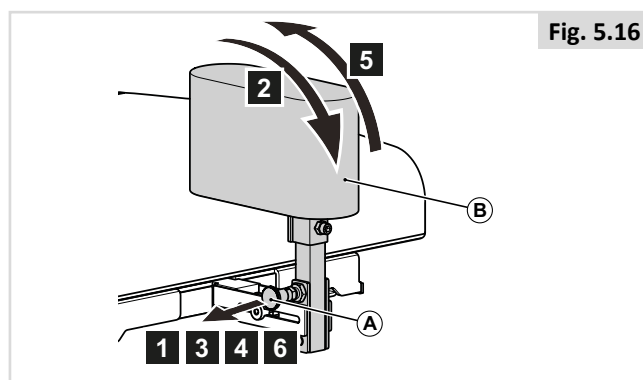
1. Tirez (A) hors de sa position verrouillée.
2. Abaissez (B)
3. Relâchez (A).

Redressement du plot d'abduction

1. Tirez (A) hors de sa position verrouillée.
2. Relevez (B)
3. Relâchez (A) qui retrouve sa position verrouillée.

⚠ REMARQUE/ATTENTION !

Vérifiez que (B) est bien en place.



6.0 Options d'assise manuelles et électriques

6.1 Options d'assise manuelles

Dossier inclinable manuel (par l'utilisateur) (Fig. 6.1)

1. Enfoncez (A).
2. Penchez-vous en avant ou en arrière pour régler le dossier (B) à la position désirée.

REMARQUE/ATTENTION !

Maintenez (A) enfoncé.

3. Relâchez (A).

Repose-jambe articulé à inclinaison manuelle (Fig. 6.2)

Vous pouvez régler l'angle des repose-jambes indépendamment l'un de l'autre.

1. Poussez la poignée (A) vers l'avant.
2. Levez votre jambe.
3. Relâchez la poignée une fois la position désirée obtenue.

Fig. 6.1

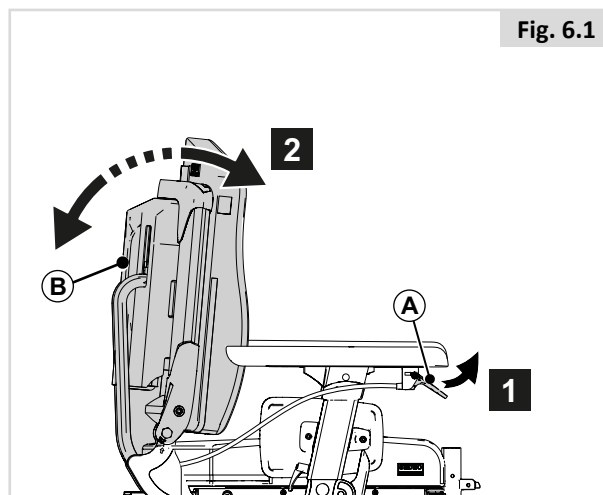
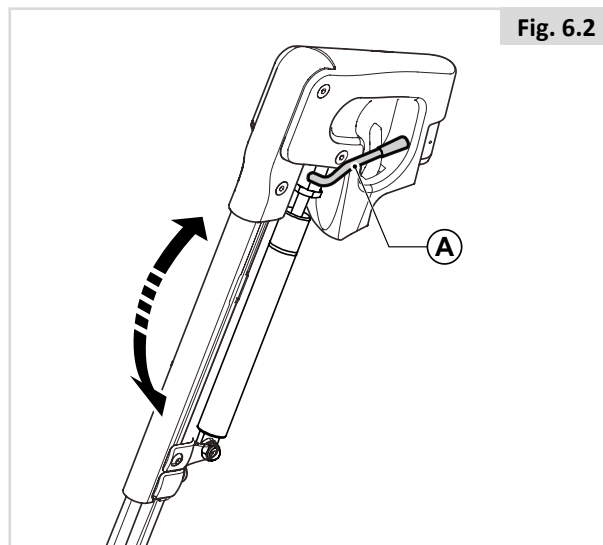



Fig. 6.2



6.2 Options d'assise (électriques)

Le fauteuil peut être équipé des options électriques suivantes pour ajuster votre position d'assise. Ces options peuvent être actionnées sans utiliser d'outils.

Options d'assise réglables électriques (Fig. 6.3 - Fig. 6.5)

Vous trouverez dans le  Boîtier de commande les consignes relatives aux options d'assise électriques :

1. Option de bascule d'assise électrique
2. Option du lift électrique
3. Option d'inclinaison de dossier électrique
4. Option repose-jambes électriques

DANGER/AVERTISSEMENT !

- L'utilisation des options d'assise électriques peut influencer sur la stabilité du fauteuil.
- Actionnez les options d'assise électriques uniquement lorsque le fauteuil se trouve sur une surface plane. Ne tentez jamais d'actionner une option d'assise électrique lorsque le fauteuil se trouve en pente.
- Veillez à ne pas vous coincer les doigts ou les vêtements dans les organes mobiles. Les mécanismes électriques de Sunrise Medical présentent un débattement important. L'utilisateur doit tenir compte de son environnement lorsque les organes mobiles sont actionnés.
- Soyez vigilant lorsque vous vous déplacez en position d'assise basculée, élevée ou inclinée.
- Ne tentez jamais d'actionner une option d'assise électrique pendant le déplacement.
- Ne tentez pas d'actionner les options de lift ou de bascule d'assise en présence d'enfants.
- La programmation permet d'inverser la direction de toutes les fonctions d'assise électriques, assurez-vous de savoir dans quelle direction le siège va se déplacer avant d'actionner la fonction.
- À noter que le module lift/basculé d'assise présente un risque de pincement de certaines parties du corps. Pour éviter tout risque de blessure, lorsque vous activez le module lift/basculé d'assise, éloignez vos mains, vos pieds, vos vêtements et toute autre partie du corps susceptible d'être pincée.
- Ne placez jamais votre siège en position surélevée lorsque le fauteuil se déplace sur une rampe ou en pente. Avant de négocier une pente ou une côte, ramenez le fauteuil en position d'assise normale, avec le dossier à la verticale.

Ce système électrique a été conçu pour réduire automatiquement la vitesse maximale de conduite et pour activer le mode Ralenti lorsque certaines limites d'options d'assise électriques sont atteintes. Selon la configuration du fauteuil, il peut exister plusieurs vitesses en mode Ralenti.

Fig. 6.3

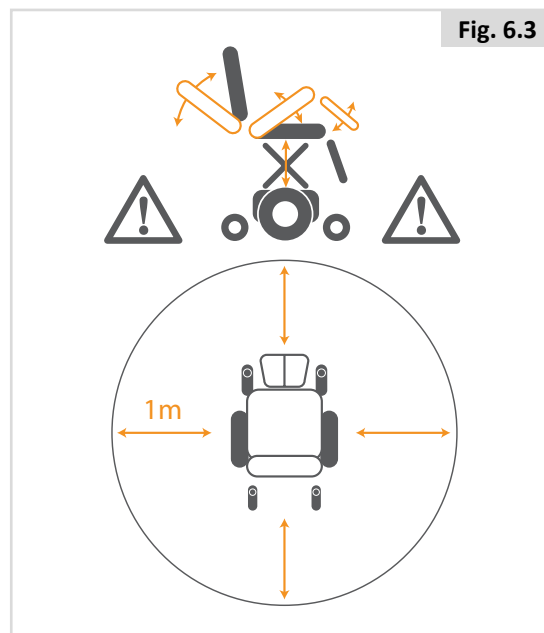
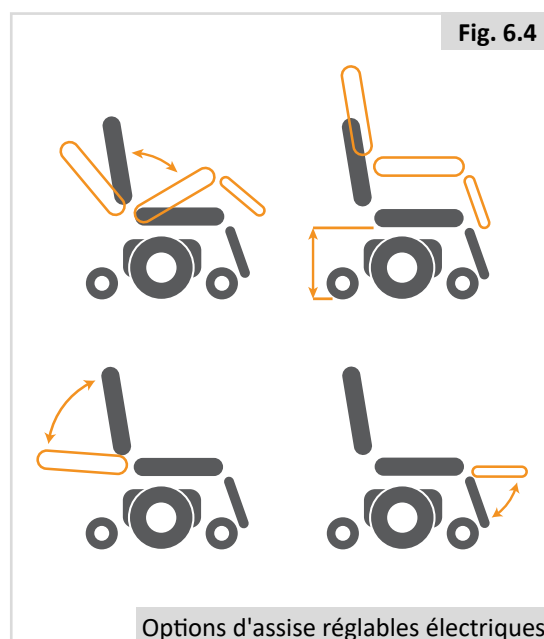
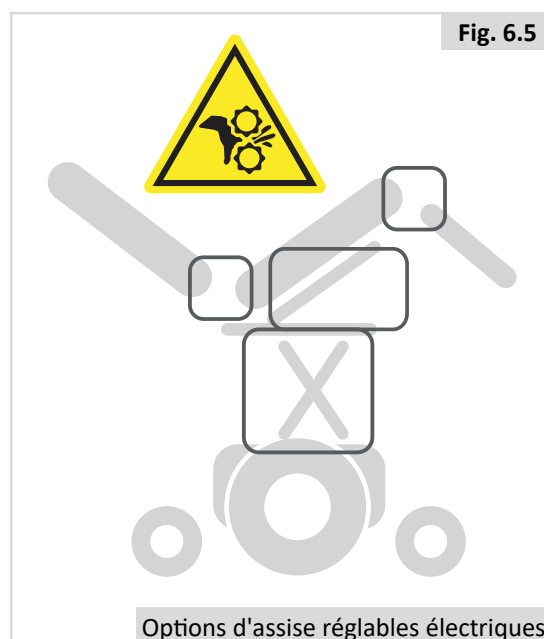


Fig. 6.4



Options d'assise réglables électriques

Fig. 6.5



Options d'assise réglables électriques

7.0 Réduire l'encombrement du fauteuil en vue de le transporter

DANGER/AVERTISSEMENT !

Vous pouvez réduire l'encombrement du fauteuil en vue de le transporter non occupé. Tous les composants amovibles du fauteuil facilement détachables doivent être déposés. Rangez-les soigneusement pour éviter tout risque de blessure ou d'endommagement.

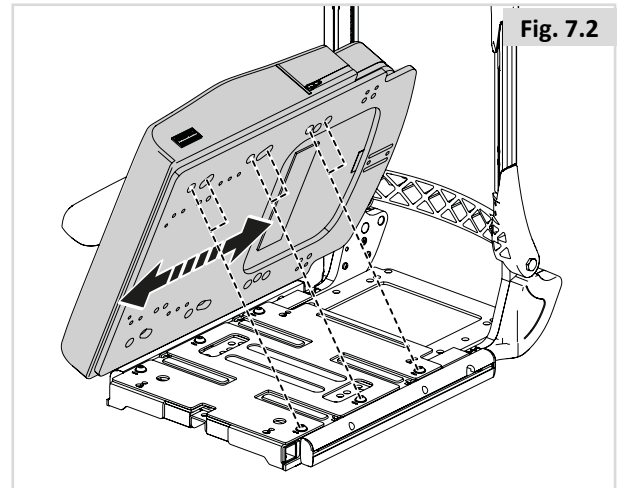
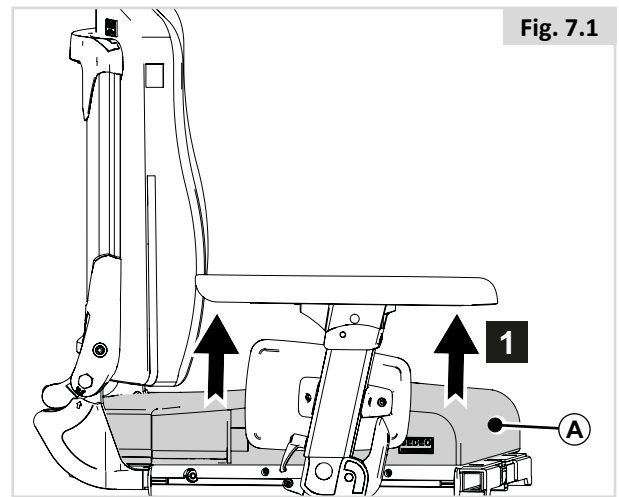
7.1 Coussin d'assise

Dépose du coussin (Fig. 7.1)

1. Tirez (A) vers le haut.

Installation du coussin (Fig. 7.2)

1. Positionnez (A) en plaçant les orifices par-dessus les têtes de vis



7.2 Dépose du coussin de dossier (Fig. 7.3)

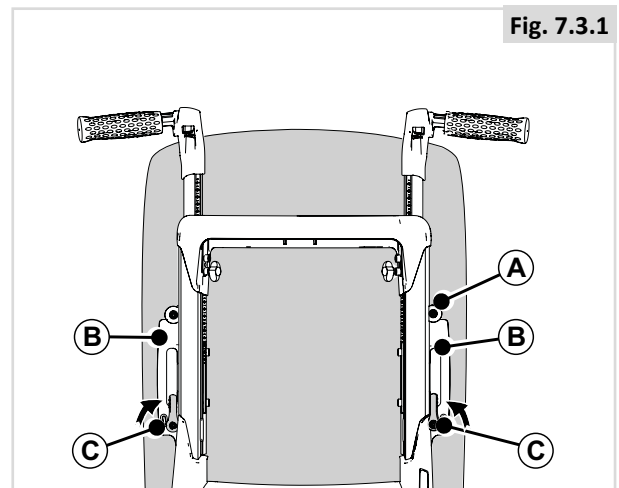
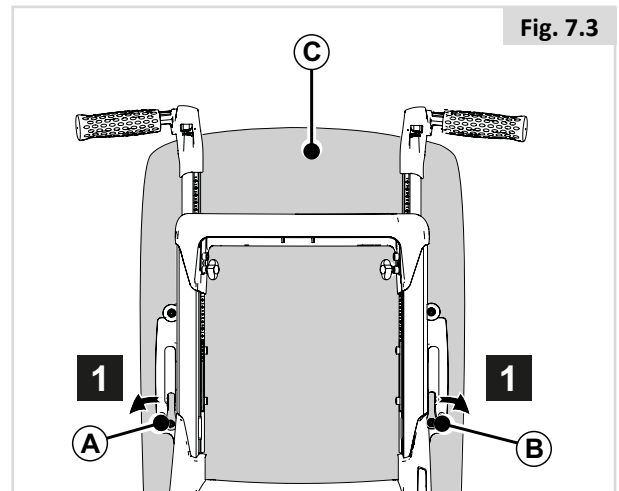
1. Tournez (A) et (B).
2. En l'attrapant par le bas, tirez (C) vers l'avant, puis vers le haut pour le dégager.

Installation du coussin de dossier (Fig. 7.3.1)

1. Accrochez (A) derrière (B).
2. Tournez (C).

ATTENTION !

Vérifiez que le coussin est fermement maintenu en place (poignées vers le haut).



7.3 Libération rapide du dossier rabattable (Fig. 7.4)

Abaissement du dossier vers l'avant

1. Desserrez (A).
2. Abaissez (B) complètement vers l'avant.

⚠ REMARQUE/ATTENTION !

Si nécessaire, retirez dans un premier temps le coussin du dossier et/ou les accoudoirs.

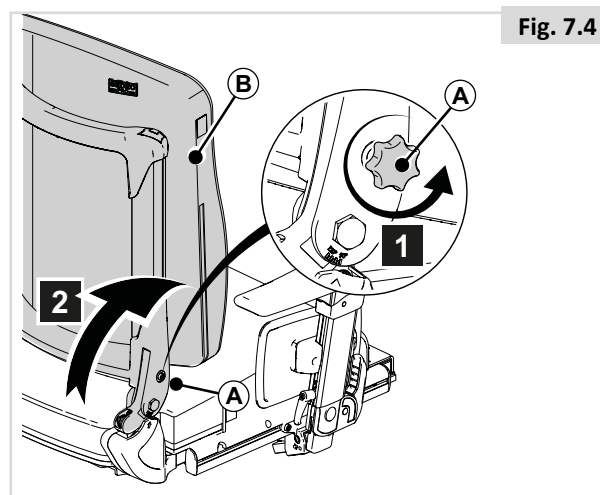


Fig. 7.4

7.4 Abaissement du dossier avec accoudoirs relevables (Fig. 7.5)

Abaissement du dossier vers l'avant

1. Retirez la vis (A).
2. Rabattez (B) vers l'arrière.
3. Dévissez (C).
4. Abaissez (C) complètement vers l'avant.

⚠ REMARQUE/ATTENTION !

Si nécessaire, retirez dans un premier temps le coussin du dossier.

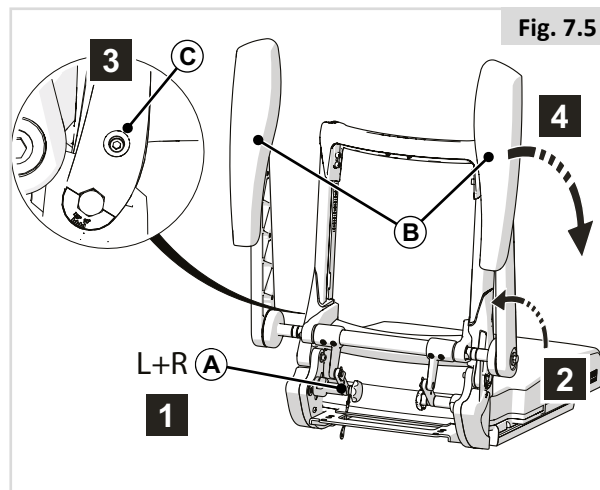


Fig. 7.5

7.5 Abaissement du dossier inclinable avec accoudoirs relevables (Fig. 7.6)

Abaissement du dossier vers l'avant

1. Retirez (A).
2. Rabattez (B) vers l'arrière.
3. Abaissez (C) complètement vers l'avant.

⚠ REMARQUE/ATTENTION !

Si nécessaire, retirez dans un premier temps le coussin du dossier.

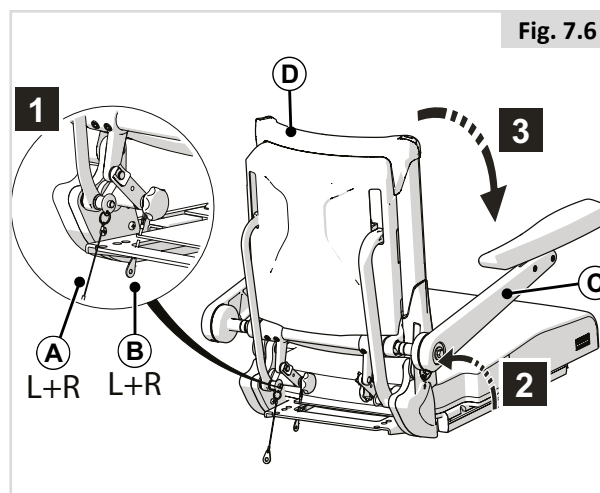


Fig. 7.6

7.6 Repose-jambe escamotables (Fig. 7.7)

Dépose d'un repose-jambe escamotable

1. Desserrez la sangle de l'appui-mollet.
2. Enfoncez le loquet (A) vers l'arrière afin de déverrouiller le repose-jambe.
3. Ouvrez le repose-jambe vers l'extérieur.
4. Soulevez le repose-jambe (B) hors de son tube de logement.

Lorsque vous replacerez le repose-jambe, vous devrez entendre un 'clac', indiquant qu'il est correctement enclenché.

Risque de pincement des doigts (Fig. 7.8)



⚠ Avertissement !

Lors du retrait du repose-jambe escamotable à élévation manuelle, tenez le repose-jambe au niveau de la poignée (A).

Si votre doigt se trouve à l'emplacement B lorsque vous actionnez le levier de libération C, vous risquez de vous faire pincer le doigt.

7.7 Accoudoir amovible Sedeo Pro.

Dépose de l'accoudoir (Fig. 7.9)

1. Abaissez (A).
2. Retirez (B).

Installation de l'accoudoir (Fig. 7.10)

1. Glissez (A) dans (B).
2. Basculez (B) vers l'avant.

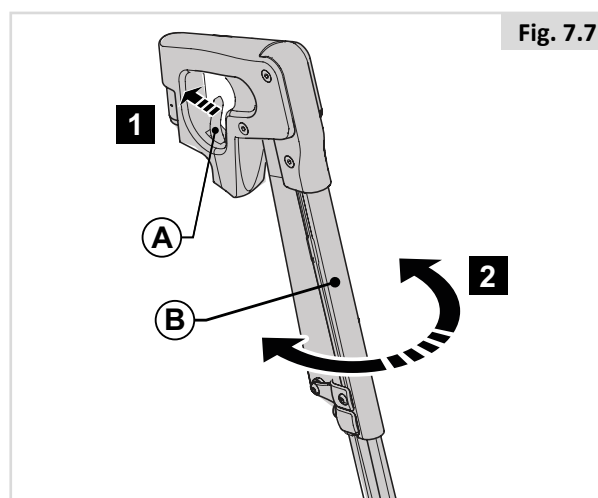


Fig. 7.7

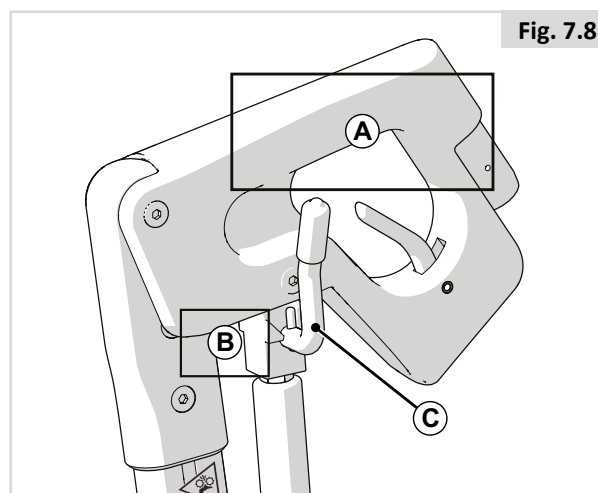


Fig. 7.8

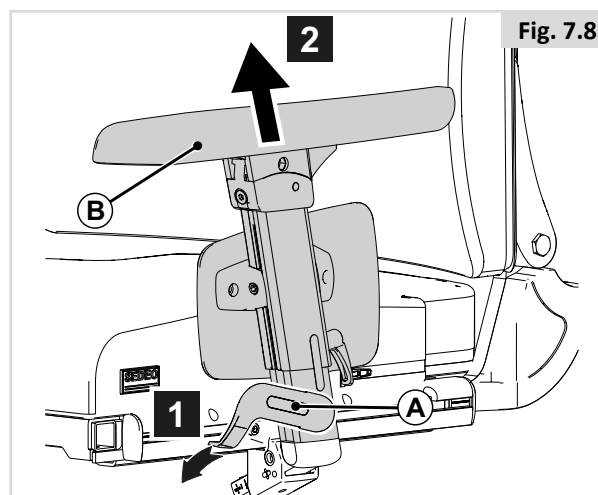


Fig. 7.8

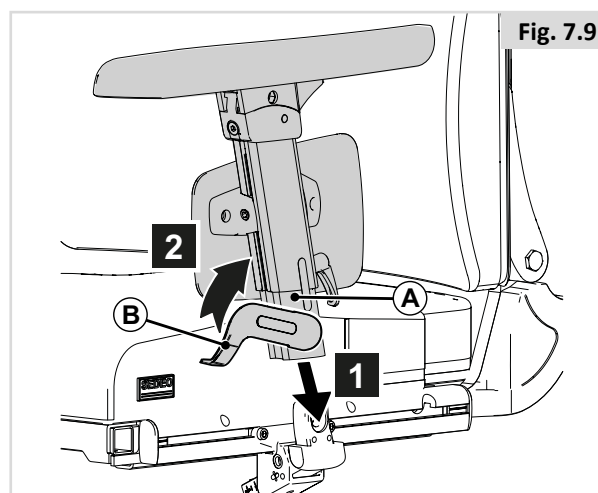


Fig. 7.9

8.0 Entretien et nettoyage

8.1 Maintenance générale

- Vérifier tous les mois les fixations et attaches afin de déceler tout signe d'usure ou la présence de boulons desserrés ou des pièces cassées.
- Les fixations desserrées doivent être resserrées selon les consignes d'installation.
Veuillez vous référer au tableau ci-dessous pour toute information sur les couples de serrage.

Matrice des éléments de fixation	Réglage du couple de serrage (Nm)
Boulon / Vis M6	9 - 10

Remarque : vous devrez utiliser une clé dynamométrique.

- Vérifier les sangles tous les mois afin de déceler d'éventuels effilochements, coutures déchirées ou tout autre signe d'usure excessive ou d'endommagement. Ne plus utiliser si des dommages sont trouvés.
- Les ceintures thoraciques doivent être remplacées dès les premiers signes de dommage et/ou d'usure excessive.
- En présence d'un élément cassé ou desserré, cesser immédiatement l'utilisation du fauteuil et contacter un revendeur Sunrise Medical agréé pour le faire remplacer.
- Vérifier toutes les sangles Velcro afin de garantir une bonne adhérence les unes aux autres.
- Éliminer tout corps étranger, tels des cheveux ou des peluches, éventuellement pris dans les bandes Velcro. La présence de tels corps étranger peut compromettre l'adhérence.

8.2 Nettoyage du système d'assise :

Il est recommandé de passer un chiffon légèrement humide et non mouillé, sur le siège de votre fauteuil une fois par semaine et de passer l'aspirateur autour des vérins, afin de retirer toutes les poussières accumulées.

REMARQUE/ATTENTION !

Pensez à essuyer toutes les parties du fauteuil s'il est mouillé ou humide après l'avoir nettoyé ou s'il a pris l'eau ou l'humidité pendant que vous l'utilisiez.

DANGER/AVERTISSEMENT !

Ceci est particulièrement important pour éviter tout risque de contamination si plusieurs personnes utilisent le même fauteuil.

8.2.2 Nettoyage et inspection du siège

DANGER/AVERTISSEMENT !

Une toile déchirée, entaillée, usée ou détendue, en particulier à proximité des armatures en métal, peut provoquer chez l'utilisateur une mauvaise posture ou un piètre niveau de confort.

Instructions de nettoyage du siège :

Si la housse de coussin possède une étiquette avec des instructions de lavage, vous pouvez la laver. Suivez les instructions indiquées sur l'étiquette. N'oubliez pas de retirer la mousse à l'intérieur des coussins et de fermer les attaches en Velcro avant de les laver.

AVERTISSEMENT !

N'utilisez pas de solvants organiques tels que les diluants, le benzène ou du white spirit.

Ne lavez pas la toile à l'aide de produits chimiques. Ne repassez pas la toile et ne l'essorez pas en machine.

Si la toile n'est pas amovible, nettoyez-la régulièrement pour éviter l'accumulation de saletés. Nettoyez avec un chiffon humide et du savon. Il est également possible d'utiliser des désinfectants en les diluant conformément aux instructions du fabricant. Assurez-vous que les surfaces sont rincées avec de l'eau propre et entièrement séchées.

8.3 Mesure d'hygiène en cas de cession du fauteuil :

Avant de laisser une autre personne utiliser le fauteuil, il convient de l'apprêter soigneusement. Toutes les surfaces entrant en contact avec le nouvel utilisateur doivent être désinfectées.

Pour cela, vous devez utiliser un désinfectant à base d'alcool à séchage rapide utilisé pour les produits et instruments médicaux.

Suivez toujours les instructions du fabricant du produit désinfectant utilisé.

REMARQUE/ATTENTION !

- Ne pas utiliser de dissolvant, d'eau de Javel, d'abrasifs, de détergents synthétiques, de cirage ou d'aérosols.
- Il est possible d'utiliser des désinfectants en les diluant de la façon indiquée par le fabricant.
- Assurez-vous que les surfaces sont rincées avec de l'eau propre et entièrement séchées.

8.4 Instructions générales de nettoyage :

REMARQUE/ATTENTION !

- Il est préférable de retirer les taches sur votre siège le plus vite possible.
- Après de longues périodes d'utilisation, vous devriez nettoyer le revêtement de votre siège avec une mousse décapante sèche disponible dans le commerce.
- Vous devriez toujours nettoyer toute la surface et non des endroits spécifiques afin d'éviter des marques peu attrayantes. Plus vous attendez plus il sera difficile de faire disparaître les taches.
- Évitez de frotter fort avec des solutions aqueuses. Cela rendra le matériel du revêtement rugueux.
- Il est plus facile de retirer des taches (bière, sang, Coca-Cola, vin rouge, etc.) avec une mousse décapante sèche ou avec une action plus modérée.
- Veuillez suivre les instructions respectives d'utilisation lors du traitement du revêtement.
- Il faut laisser les revêtements sécher pendant au moins 48 heures après avoir nettoyé avec des mousses décapantes.
- Taches de graisse (stylo, rouge à lèvres, chewing-gum, etc.). Utilisez un détachant breveté. Frottez doucement l'endroit sale de la surface en utilisant uniquement un chiffon propre imprégné d'un détachant.
- Utilisez de petites quantités de détachant.
- Faites préalablement un test sur une petite zone cachée.
- Le matériau de la toile ne doit pas être saturé pour éviter que le détachant ne l'attaque et le détruise.
- Éviter le frottement répété sur les inscriptions, comme les flèches apposées sur la plaque d'assise et les indications de réglages de la largeur d'assise
- Ne lavez jamais votre fauteuil avec un tuyau d'arrosage ou au jet d'eau à pression.

DANGER/AVERTISSEMENT !

- Lisez toujours les étiquettes des détachants à usage professionnel ou privé.
- Suivez toujours scrupuleusement les instructions.

8.5 Nettoyage des accessoires :

- Toutes les parties/accessoires comme la tablette escamotable doivent être nettoyés avec un chiffon humide.
- Tous les supports latéraux, l'appui-tête, les accoudoirs, les protections latérales, les protège-mollets, les ceintures sous-abdominales et les protections de genoux doivent être nettoyés avec un chiffon humide.

8.6 Nettoyage des commandes :

Si les commandes de votre fauteuil roulant sont sales, vous pouvez les nettoyer avec un chiffon humide et un désinfectant dilué.

DANGER/AVERTISSEMENT !

- Ceci est particulièrement important pour éviter tout risque de contamination si plusieurs personnes utilisent le même fauteuil.
- Assurez-vous que les commandes à plat, les joysticks (de tout type), le dispositif de commande avec la tête et les interrupteurs (de tout type) sont nettoyés avec un désinfectant doux et un chiffon de nettoyage pour éviter toute possibilité de contamination croisée. Après avoir démonté le contacteur au soufflé et le tube, nettoyez-les régulièrement pour les conserver en bon état de fonctionnement.
- Assurez-vous que l'appareil est éteint avant le nettoyage.

8.7 Entreposage

Pour conserver la toile et les autres composants de votre fauteuil en bon état, entreposez le fauteuil dans un environnement sec et à température ambiante.

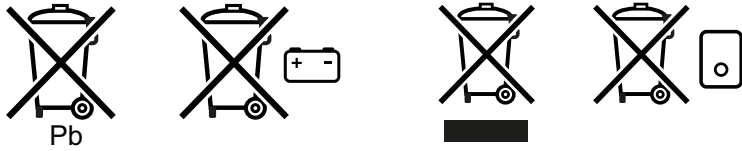
DANGER/AVERTISSEMENT !

- N'entreposez jamais votre fauteuil à la lumière directe du soleil ou dans un environnement extérieur/humide.
- La lumière directe peut décolorer la garniture / les pièces en plastique et chauffer les pièces métalliques.

9.0 Enlèvement

Le symbole ci-dessous signifie que votre produit doit être mis au rebut séparément de vos autres déchets ménagers, conformément aux réglementations et lois locales. Lorsque le produit atteint la fin de son cycle de vie, veuillez l'emmener aux points de ramassage conçus à cet effet par les autorités locales. Le ramassage séparé et le recyclage de votre produit au moment de l'enlèvement aideront à préserver les ressources naturelles et à s'assurer qu'il est recyclé d'une manière respectueuse de l'environnement.

Assurez-vous d'être le propriétaire légal du produit avant d'organiser sa mise au rebut conformément aux recommandations et aux réglementations nationales.



La section suivante décrit les différents matériaux composant le fauteuil en vue de la mise au rebut ou du recyclage du fauteuil et de ses matériaux d'emballage.

Renseignez-vous sur la réglementation en vigueur relative à l'élimination ou au recyclage de votre fauteuil. Vous serez tenu de la respecter le jour de la mise au rebut de votre fauteuil. (notamment le nettoyage ou la décontamination du fauteuil roulant avant sa mise au rebut).

Aluminium : Fourches, roues, protections latérales du châssis.

Acier : Points d'arrimage, axe à déverrouillage rapide

Plastique : Revêtement des poignées, butées des montants, roues avant, et roue/pneu

Emballage : Sacs en plastique composés de polyéthylène, cartons

La mise au rebut ou le recyclage doit être assuré par un agent spécialisé ou une décharge agréée. Vous pouvez également renvoyer votre fauteuil roulant à votre revendeur qui se chargera de sa mise au rebut.



10.0 Caractéristiques techniques :

10.1 Normes en vigueur



Ce produit porte le symbole CE et est conforme aux réglementations et directives relatives aux dispositifs médicaux.

Le produit satisfait les exigences et les normes suivantes. La conformité est vérifiée par des organismes indépendants.

Directive européenne 2017/745 CEE	Applicable selon les indications au tableau 1
EN 12182 (2012) Classe B	« Exigences de la norme EN12182 (2014) tel que mentionné dans EN 12184 (2014) : Produits d'assistance pour personnes en situation de handicap - Exigences générales et les méthodes d'essai.
EN 12184 (2014) Classe B	Fauteuils roulants électriques, scooters et leurs chargeurs - Exigences et méthodes d'essai.
ISO 7176-8: 2014	Exigences de résistance statique, de résistance au choc et de résistance à la fatigue.
ISO 7176-9	Essais climatiques pour fauteuils roulants électriques
ISO 7176-14	Exigences et méthodes d'essai relatives aux systèmes de commande des fauteuils roulants électriques.
ISO 7176-16: 2012	Exigences de résistance à l'inflammation des parties rembourrées.
ISO 7176-19 (2008)	Fauteuils roulants - Partie 19 : Dispositifs de mobilité montés sur roues et destinés à être utilisés comme sièges dans des véhicules à moteur : Sedeo Pro répond aux exigences d'essai de collision de la norme ISO 7176-19
Arrimage Dahl	
ISO 7176-19 (2008)	Fauteuils roulants - Partie 19 : Dispositifs de mobilité montés sur roues et destinés à être utilisés comme sièges dans des véhicules à moteur : Sedeo Pro répond aux exigences d'essai de collision de la norme ISO 7176-19
EN-ISO10993-5: 2009	Évaluation biologique des dispositifs médicaux.
EN 1021-1 et 2	Évaluation de l'allumabilité des meubles rembourrés. Source d'allumage : cigarette en combustion / flamme équivalente à celle d'une allumette.

10.2 Caractéristiques techniques : Système d'assise Sedeo Pro

	Valeurs du système métrique		Valeurs du système impérial et valeurs alternatives	
	Minimum	Maximum	Minimum	Maximum
Réglage de l'angle d'inclinaison du siège				
Bascule d'assise électrique avec compensation (en option)	0° - 30°		-5° - 25°	
Bascule d'assise électrique avec compensation (en option)	-5° - 25°		0° - 30°	
Bascule d'assise électrique avec compensation (en option)	0° - 50°		-5° - 45°	
Bascule d'assise électrique avec compensation (en option)	-5° - 45°			
Profondeur utile du siège	400 mm	580 mm	15,7"	23,6"
Largeur utile du siège	380 mm	560 mm	15"	22"
Hauteur sol-siège				
Module d'assise manuel (sans mécanisme électrique de bascule d'assise, sans lift)				
Pos. 1 Batteries 60 ou 80 A Angle d'assise de 0°	415 mm		16,3"	
Pos. 2 Batteries 60 ou 80 A Angle d'assise de 0°	440 mm		17,3"	
Pos. 3 Batteries 60 ou 80 A Angle d'assise de 0°	465 mm		18,3"	
Pos. 4 Batteries 60 ou 80 A Angle d'assise de 0°	490 mm		19,3"	
Bascule d'assise électrique avec lift (300 mm)				
Pos. 1 Batteries 60 ou 80 A Angle d'assise de 0°	415 mm	715 mm	16,3"	28,1"
Pos. 2 Batteries 60 ou 80 A Angle d'assise de 0°	440 mm	740 mm	17,3"	29,1"
Pos. 3 Batteries 60 ou 80 A Angle d'assise de 0°	465 mm	765 mm	18,3"	30,1"
Pos. 4 Batteries 60 ou 80 A Angle d'assise de 0°	490 mm	790 mm	19,3"	31,1"
Angle d'inclinaison du dossier				
Dossier à inclinaison réglable (avec outil)	90° - 120°		90° - 120°	
Inclinaison électrique du dossier	90° - 130°		90° - 130°	
Inclinaison électrique avec compensation	90° - 150°		90° - 150°	
Hauteur du dossier (de la plaque d'assise à la partie supérieure et arrière du coussin de dossier)	530 mm	720 mm	20,9"	28,3"
Accoudoir relevable / Accoudoir amovible				
Hauteur de manchette d'accoudoir (de la plaque d'assise à la partie supérieure de la manchette)	260 mm	380 mm	10,2"	15"
Largeur d'accoudoir (sur châssis)	-20 mm	+20 mm	-0,8"	+0,8"
Largeur de manchette d'accoudoir (profil d'accoudoir)	-20 mm		-0,8"	
Profondeur de l'accoudoir (sur châssis avec rail d'assise court)	250 mm		10,8"	
Profondeur de manchette d'accoudoir (profil d'accoudoir)	100 mm		3,9"	
Inclinaison de manchette d'accoudoir (verticale)	0° - 15°		0° - 15°	
Accoudoir relevable				
Hauteur de manchette d'accoudoir (de la plaque d'assise à la partie supérieure de la manchette)	250 mm	400 mm	9,8"	15,7"
Largeur de manchette d'accoudoir (profil d'accoudoir)	-20 mm		-0,8"	
Profondeur de manchette d'accoudoir (profil d'accoudoir)	140 mm		5,5"	
Inclinaison de manchette d'accoudoir (verticale)	0° - 15°		0° - 15°	
Potence centrale				
Longueur du segment jambier (à partir de la plaque d'assise)	305 mm	460 mm	12"	18,1"
Angle genou	70° - 120°		70° - 120°	
Angle d'inclinaison au niveau des chevilles	+20° - -40°		+20° - -40°	
Repose-jambe central électrique				
Longueur du segment jambier (à partir de la plaque d'assise)	360 mm	540 mm	14,2"	21,2"
Angle genou	90° - 180°		90° - 180°	
Longueur maximale de compensation	260 mm		10,2"	
Angle d'inclinaison au niveau des chevilles	+35° - -15°		+35° - -15°	

	Valeurs du système métrique		Valeurs du système impérial et valeurs alternatives	
	Minimum	Maximum	Minimum	Maximum
Repose-jambes escamotables				
Longueur du segment jambier (à partir de la plaque d'assise)	350 mm	510 mm	13,8"	20,1"
Angle genou	70°		70°	
Angle d'inclinaison au niveau des chevilles	0° - 180°		0° - 180°	
Repose-jambes escamotables à inclinaison manuelle/électrique				
Longueur du segment jambier (à partir de la plaque d'assise)	350 mm	510 mm	13,8"	20,1"
Angle genou	0° - 70°		0° - 70°	
Angle d'inclinaison au niveau des chevilles	0° - 180°		0° - 180°	
Fixation d'appui-tête multi-positions SEDEO				
Fourchette de réglage de hauteur de l'appui-tête	170 mm		6,7"	
Fourchette de réglage de profondeur de l'appui-tête	200 mm		7,9"	
Angle de l'appui-tête (vertical)	-45° - +45°		-45° - +45°	
Largeur de l'appui-tête	-20 mm	20 mm	-0,8"	+0,8"
Cales tronc				
Fourchette de réglage de la largeur des supports latéraux	90 mm		3,5"	
Fourchette de réglage de la hauteur des supports latéraux	170 mm		6,7"	
Fourchette de réglage de la profondeur des supports latéraux	45 mm		1,8"	
Plot d'abduction				
Hauteur du plot (de la plaque d'assise à la partie supérieure du coussin)	170 mm	250 mm	6,7"	9,8"
Fourchette de réglage de profondeur du plot	65 mm		2,5"	
Fourchette de réglage en hauteur de la barre de poussée	140 mm		5,5"	

11.0 Garantie

CELA N'AFFECTE EN AUCUN CAS VOS DROITS LEGAUX.

La garantie de Sunrise Medical* est détaillée dans les conditions de garantie suivantes.

Conditions de garantie :

1. Si une ou plusieurs pièces devaient être remplacées ou réparées suite à un vice de fabrication et/ou de matériel dans les 24 mois (5 ans pour le châssis ou le croisillon) suivant la livraison au client, la ou les pièces seront remplacées ou réparées gratuitement. La garantie ne couvre que les vices de fabrication.
2. Pour faire jouer la garantie, veuillez contacter le service client Sunrise Medical afin de préciser la nature du problème.
En cas d'utilisation du fauteuil dans une zone située en dehors du territoire du service après-vente (revendeur) Sunrise Medical, les réparations ou remplacements seront assurés par un autre service après-vente désigné par le fabricant. Le fauteuil doit être réparé par un service après-vente désigné par Sunrise Medical.
3. Toute pièce réparée ou échangée dans le cadre de la garantie est couverte par la garantie pour la période restante conformément au point 1.
4. Concernant les pièces détachées d'origine installées ultérieurement et au frais du client, celles-ci sont couvertes par une garantie de 12 mois (à compter de l'installation), conformément aux présentes conditions de garantie.
5. La garantie ne peut être actionnée si la réparation ou l'échange du fauteuil ou d'une pièce découle de l'un des cas de figure suivants :
 - a. L'usure normale, notamment celle des batteries, des accoudoirs, de la garniture, des pneus, des patins de frein, etc.
 - b. Les anomalies découlant de la surcharge du produit. La charge maximale d'utilisation est indiquée sur l'étiquette CE.
 - c. Le produit n'a pas été entretenu ou révisé conformément aux recommandations du fabricant, telles qu'indiquées dans le manuel d'utilisation et/ou les notices d'entretien.
 - d. Les accessoires utilisés ne sont pas des accessoires d'origine.
 - e. Le fauteuil roulant - ou l'une de ses pièces - a été endommagé suite à un mauvais entretien, à un accident ou à une utilisation inadéquate.
 - f. Des changements/modifications non conformes aux spécifications du fabricant ont été effectués sur le fauteuil ou des pièces.
 - g. Les réparations ont été effectuées avant d'en avoir informé le service client.

6. Cette garantie est soumise à la loi du pays d'achat du produit auprès de Sunrise Medical »

* Le lieu Sunrise Medical depuis lequel le produit a été acheté.

Neem contact op met uw plaatselijke erkende Sunrise Medical dealer, indien u vragen heeft over het gebruik, onderhoud of de veiligheid van uw zitsysteem. Indien u niet weet of zich een goedgekeurde dealer in uw omgeving bevindt, of indien u andere vragen hebt, kunt u schriftelijk of telefonisch contact opnemen met:

Sunrise Medical B.V.

Groningehaven 18-20

3433 PE Nieuwegein

The Netherlands

Phone: 31 (0)30 - 60 82 100

www.SunriseMedical.nl

Stempel en handtekening dealer

1.0 Gebruikersinformatie	85	6.0 Mechanische en elektrische verstelsopties 111
1.1 Deze gebruikershandleiding.....	85	6.1 Mechanise verstellopties
1.2 Voor meer informatie.....	85	6.2 (Elektrische) verstellopties.....
1.3 Betekenis van de symbolen die in deze handleiding worden gebruikt	85	
2.0 Veiligheid	86	7.0 Het zitsysteem kleiner maken in verband met transport
2.1 De symbolen en labels op het product die verband houden met de zitting.....	86	7.1 Zitkussen.....
2.2 Veiligheid: Temperatuur	86	7.2 Verwijderen van het rugkussen (fig. 7.3)
2.3 Veiligheid: Bewegende delen	86	7.3 Neerklappen van de rugleuning met quick release (fig. 7.4).....
2.4 Veiligheid: Verstikkingsgevaar	86	7.4 Neerklappen rugleuning met opklapbare, meebewegende armsteunen (fig. 7.5).....
2.5 Veiligheid: Werkbladen	87	7.5 Neerklappen elektrisch verstelbare rugleuning met opklapbare meebewegende armsteunen (fig. 7.6) ..
3.0 Algemene beschrijving	87	7.6 Wegzwenkbare beensteunen (fig. 7.7)
4.0 Instellen van het zitsysteem	88	7.7 Uitneembare armsteunen.....
4.1 Instellen zitdiepte	88	8.0 Onderhoud en reiniging
4.2 Zitbreedte instellen	89	8.1 Algemeen onderhoud
4.3 Instellingen rugleuning.....	90	8.2 Reinigen van uw zitsysteem
4.4 Instellingen naar achter wegklapbare armsteun / uitneembare armsteun (met één stang).....	92	8.3 Hygiënemaatregelen bij hergebruik:.....
4.5 Instellen opklapbare, meebewegende armsteunen	95	8.4 Algemene reinigingsinstructies:.....
4.6 Zijkussen	96	8.5 Reiniging van accessoires:
4.7 Instellen SEDEO LITE uitneembare armsteunen..	96	8.6 Reinigen van het bedieningssysteem:.....
4.8 Instellen mechanische centrale beensteun	97	8.7 Opslag.....
4.9 Eenmalig in hoek instelbare middenbeensteun ..	98	9.0 Verwijdering
4.10 Instellen elektrische centrale beensteun	99	10.0 Technische specificaties:
4.11 Instellen wegzwenkbare beensteunen	100	10.1 Toepasselijke normen/standaarden
4.12 Instellen hoofdsteun.....	101	10.2 Technische specificaties: SEDEO Pro zitsysteem
4.13 Instellen vaste/wegzwenkbare beugel voor stuurkast.....	102	
4.14 Vooraf ingestelde dijbeensteun	103	11.0 Garantie
4.15 Instellen rompelotten.....	104	122
4.16 Vooraf ingestelde laterale, wegzwenkbare kniesteun	105	
4.17 Instellen abductieklos.....	105	
4.18 Heupgordel / positioneringsgordel	106	
5.0 Gebruik van het zitsysteem	107	
5.1 Verplaatsing in en uit de rolstoel (Overplaatsen).....	107	
5.2 Voorbereiding voor een voorwaartse overplaatsing.....	107	
5.3 Voorbereiding voor een zijwaartse transfer	108	
5.4 Hoofdsteun	109	
5.5 Wegzwenkbare beugel voor stuurkast.....	109	
5.6 Rompelotten (fig. 5.11)	109	
5.7 Kniesteun (fig. 5.12)	110	
5.8 Dijbeensteun (fig. 5.13)	110	
5.9 Hemiplegie armlegger (fig. 5.14)	110	
5.10 Hoogte duwhandvat (fig. 5.15)	110	
5.11 Abductieklos (fig. 5.16)	110	

1.0 Gebruikersinformatie




Wij danken u dat u hebt gekozen voor een Sunrise Medical rolstoel. De hoogwaardige mobiliteitsproducten van Sunrise Medical zijn ontworpen om de onafhankelijkheid te vergroten en uw dagelijkse leven gemakkelijker te maken.

1.1 Deze gebruikershandleiding

Deze gebruikershandleiding helpt u uw zitsysteem te gebruiken en veilig te houden. Deze handleiding voor het zitsysteem is een aanvulling op de algemene gebruikershandleiding voor de onderstellen van Sunrise Medical.

- De algemene gebruikershandleiding van het onderstel
- De gebruikershandleiding voor het zitsysteem (dit boekje)
- De gebruikershandleiding voor de bediening

Waar nodig verwijst deze gebruikershandleiding voor het zitsysteem op de hieronder getoonde wijze naar de andere handleidingen:

-  Handleiding onderstel: Verwijst naar de gebruikershandleiding voor de rolstoel
-  Bediening: Verwijst naar de gebruikershandleiding voor de bediening.
-  Acculader: Verwijst naar de gebruikershandleiding voor de acculader.

Gebruik uw rolstoel niet totdat u de volledige handleiding (alle boekjes) hebt doorgelezen en begrepen!

Als één van de gebruikershandleidingen ontbreekt, neem dan direct contact op met uw dealer. Naast deze gebruikershandleiding is er ook een service handleiding voor gekwalificeerde specialisten.

1.2 Voor meer informatie

Neem contact op met uw plaatselijke erkende Sunrise Medical dealer, indien u vragen heeft over het gebruik, onderhoud of de veiligheid van uw rolstoel. Is er geen erkende dealer in uw regio of u heeft nog vragen, neem dan schriftelijk of telefonisch contact op met Sunrise Medical:

Voor informatie over veiligheidswaarschuwingen of terugroepacties (ook bekend als terughaalacties of corrigerende acties), gaat u naar www.SunriseMedical.nl

1.3 Betekenis van de symbolen die in deze handleiding worden gebruikt

 **GEVAAR/WAARSCHUWING!**

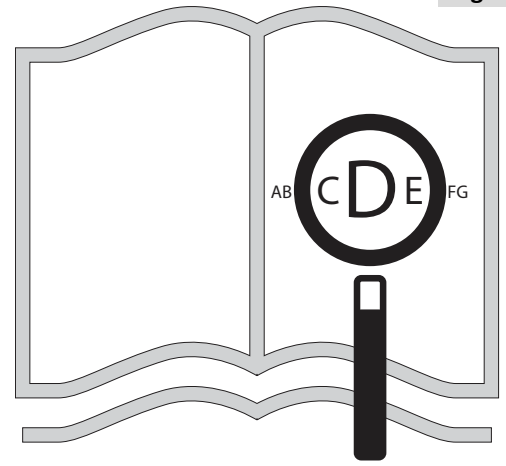
Mogelijk risico op letsel of ernstig letsel, of overlijden.

 **OPMERKING/OPGELET!**

Mogelijke schade aan apparatuur.

Wanneer deze instructies niet worden opgevolgd, kan dit leiden tot fysiek letsel, schade aan het product of schade aan de omgeving!

Fig. 1.1



Als u visueel gehandicapt bent, kan dit document ook worden gelezen in Pdf-formaat op: www.SunriseMedical.nl



en is ook beschikbaar in grote tekst formaat op aanvraag.



2.0 Veiligheid

Volg de aanwijzingen naast deze waarschuwingssymbolen nauwgezet op! Wanneer deze instructies niet nauwkeuring in acht worden genomen, kan dit leiden tot fysiek letsel, schade aan de rolstoel of schade aan de omgeving. Waar mogelijk wordt in het betreffende hoofdstuk veiligheidsinformatie verschaft.

2.1 De symbolen en labels op het product die verband houden met de zitting

De tekens, symbolen en instructies die op de rolstoel zijn bevestigd, maken deel uit van de veiligheidsvoorzieningen. Ze mogen nooit worden bedekt of verwijderd. Ze moeten tijdens de hele levensduur van de rolstoel aanwezig en duidelijk leesbaar zijn.

Vervang of repareer direct alle onleesbare of beschadigde tekens, symbolen en aanwijzingen. Neem contact op met uw dealer als u hulp nodig hebt.

Fig. 2.1: Waarschuwing – Let op uw vingers

Fig. 2.2: Waarschuwing – Controleer of de quick-release van de zitting goed vastgeschroefd is voordat u uw rolstoel gebruikt, vooral als u op een helling rijdt.

Fig. 2.3: Waarschuwing – Rij niet met uw rolstoel op een helling met de rugleuning naar achteren en/of de zitting in staande positie.

2.2 Veiligheid: Temperatuur

GEVAAR/WAARSCHUWING!

- Vermijd te allen tijde fysiek contact met de motoren van de rolstoel. Tijdens het gebruik zijn de motoren voortdurend in beweging en kunnen daardoor zeer heet worden. Na gebruik koelen motoren slechts langzaam af. Fysiek contact kan brandwonden veroorzaken. Laat de motoren na gebruik minstens 30 min. afkoelen.
- Zorg ervoor dat de rolstoel niet langdurig aan direct zonlicht wordt blootgesteld als de rolstoel niet wordt gebruikt. Bepaalde delen van de rolstoel, zoals de zitting, de rugleuning en de armsteunen kunnen heet worden als ze te lang aan direct zonlicht worden blootgesteld. Dit kan brandwonden of allergische reacties op de huid veroorzaken.

2.3 Veiligheid: Bewegende delen

GEVAAR/WAARSCHUWING!

Een rolstoel heeft bewegende en roterende delen. Contact met bewegende delen kan leiden tot ernstig lichamelijk letsel of schade aan de rolstoel. Contact met de bewegende delen van de rolstoel moet worden vermeden.

- Wielen (aandrijfwiel en zwenkwiel)
- Elektrische kantelverstelling
- Elektrische hoog/laagverstelling
- Elektrische rughoekverstelling
- Wegzwenkbare stuurkasthouder

2.4 Veiligheid: Verstikkingsgevaar

GEVAAR/WAARSCHUWING!

In dit mobiliteitshulpmiddel zijn kleine onderdelen verwerkt die onder bepaalde omstandigheden een verstikkingsgevaar voor kleine kinderen kunnen vormen.

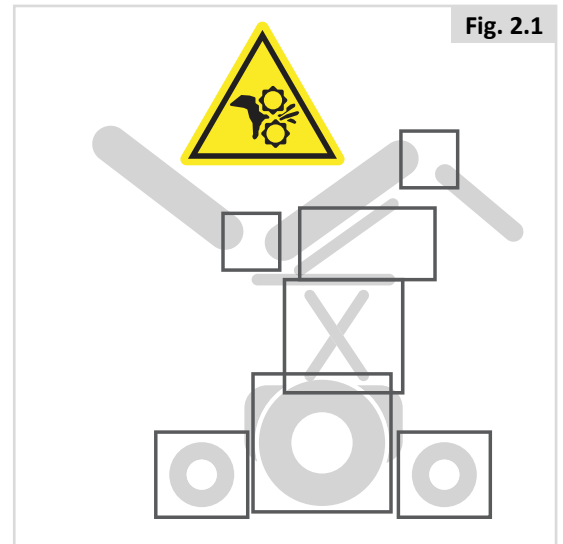


Fig. 2.1

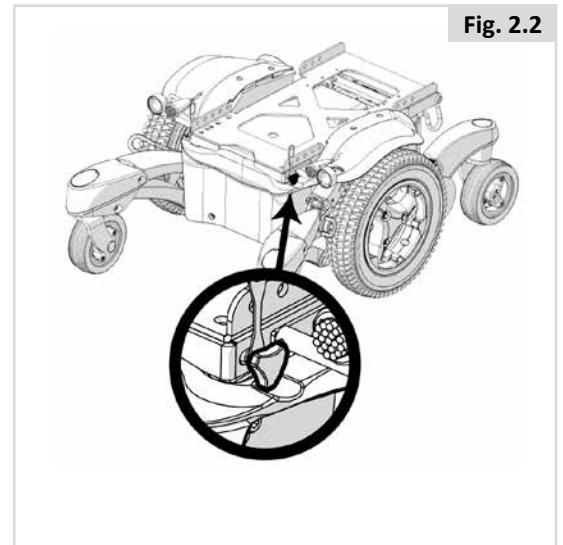


Fig. 2.2



Fig. 2.3

2.5 Veiligheid: Werkbladen

Veiligheid: Ventilatorblad

GEVAAR/WAARSCHUWING!

Het gebruik van een ventilatorblad heeft invloed op de stabiliteit en het totale gewicht van uw rolstoel.

- Controleer voor gebruik of de accu's en de ventilator goed bevestigd zijn op het blad.
- Zorg dat u vertrouwd raakt met de grotere omvang van de rolstoel voordat u er meer rijdt. Zo voorkomt u botsingen.
- Controleer of er rondom het ventilatorblad ruimte is wanneer u de kantelverstelling van de rugleuning activeert.
- Let erop dat uw vingers bekneld kunnen raken tussen het ventilatorblad en de gekantelde rugleuning.
- Het ventilatorblad is uitsluitend ontworpen om de ventilator en bijbehorende accu's op te zetten. Het is niet ontworpen om bijv. een zuurstoffles op te zetten. Het gebruik van deze onderdelen kan onstabiliteit van uw rolstoel veroorzaken.
- Het ventilatorblad moet worden geïnstalleerd en onderhouden worden door een erkende Sunrise Medical dealer.

Veiligheid: Wegklapbaar werkblad:

GEVAAR/WAARSCHUWING!

- Het maximaal toegestane gewicht voor het werkblad is 2,5 kg.
- Overbelast het werkblad niet; dit kan leiden tot afbreken van het werkblad of instabiel worden van de rolstoel.
- Laat geen brandende sigaretten of andere hittebronnen op het blad liggen; hierdoor kan het werkblad vervormen of kunnen brandvlekken ontstaan.
- Zorg ervoor dat handen, voeten en kledingstukken niet beklemd raken wanneer het werkblad wordt aangebracht om te gebruiken.

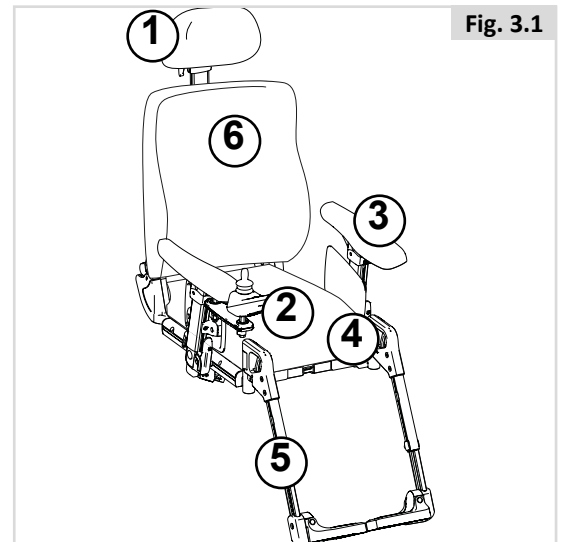
3.0 Algemene beschrijving

Deze rolstoel is voorzien van een Sedeo Pro zitsysteem. Het Sedeo Pro zitsysteem biedt uitstekende ondersteuning voor het hoofd, het bovenlichaam en de armen en benen. Optimale ondersteuning van het lichaam waarborgt maximale onafhankelijkheid voor de rolstoelgebruiker.

De rolstoel moet worden aangepast door een gekwalificeerde specialist. Onjuiste instellingen kunnen een negatieve gevolgen hebben voor de zithouding.

Belangrijkste onderdelen (fig. 3.1):

1. Hoofdsteun
2. Joystick
3. Armsteun
4. Zitkussen
5. Beensteun
6. Rugkussen



4.0 Instellen van het zitsysteem

Er bestaat geen gemiddelde rolstoelgebruiker. Daarom kunnen rolstoelen van Sunrise Medical voor gebruik worden ingesteld op de specifieke behoeften van de gebruiker.

Instellingen vooraf worden éénmalig vooraf uitgevoerd voordat de rolstoel voor de eerste keer wordt gebruikt. Dit moet door een gekwalificeerde specialist worden gedaan, tenzij nadrukkelijk anders wordt aangegeven.

Gereedschappen en kalibratie tekens

Met het zitsysteem wordt een 5 mm inbussleutel meegeleverd. Een professional kan deze gebruiken om alle instellingen van het zitsysteem aan te passen. U vindt de 5 mm inbussleutel op het frame op de plaats die in afbeelding 4.1 wordt aangegeven.

⚠️ OPMERKING/OPGELET!

Op verschillende delen van het zitsysteem treft u kalibratie tekens aan. De instellingen 'af fabriek' zijn aangegeven.

4.1 Instellen zitdiepte

Diepte rugframe (Fig. 4.2):

1. Draai (A) met één slag los.
2. Plaats (B) in de gewenste positie.
3. Draai vast (A).

⚠️ OPMERKING/OPGELET!

- Wanneer een grotere zitdiepte gewenst is, zorg er dan voor dat de kabels voldoende lengte hebben voordat de mechanische aanpassing plaatsvindt.
- Er zijn 2 maten zittingrails/zitplaten beschikbaar: 400-520 en 460-560 mm. Kies de juiste zittingrail zodat deze past bij de aangepaste zitdiepte.
- Bevestig voor meer stabiliteit van de lange zittingrail een extra bevestigingsplaat van zitdiepte 530 mm (fig. 4.3).

Diepte zitkussen (fig. 4.4)

Gebruik voor de standaardpositie van het zitkussen de gaten zoals getoond in fig. 4.4. Om extra zitdiepte te creëren, kan het kussen één positie meer naar de voorzijde worden geplaatst.

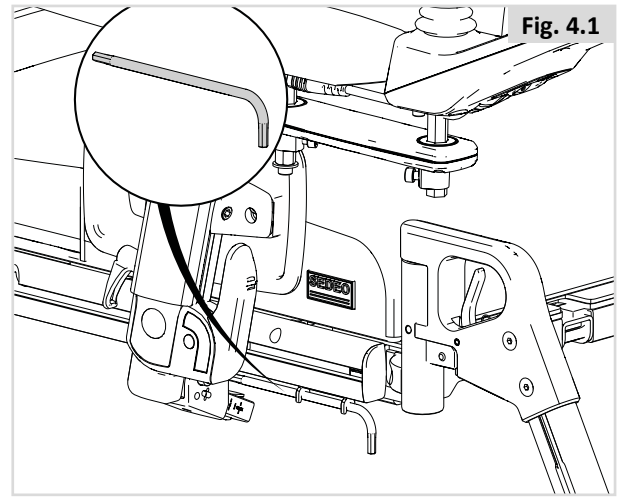


Fig. 4.1

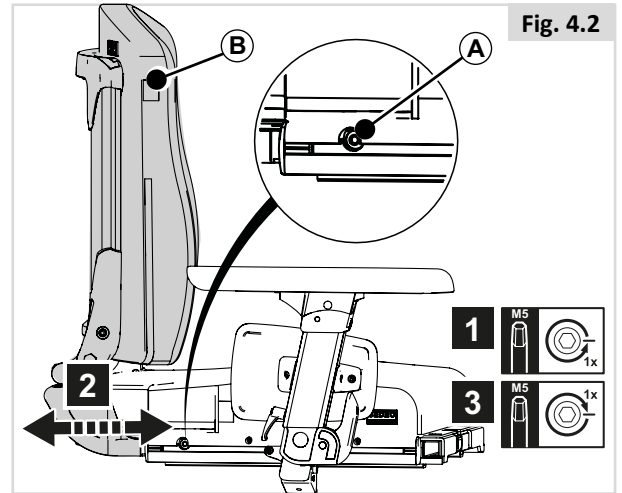


Fig. 4.2

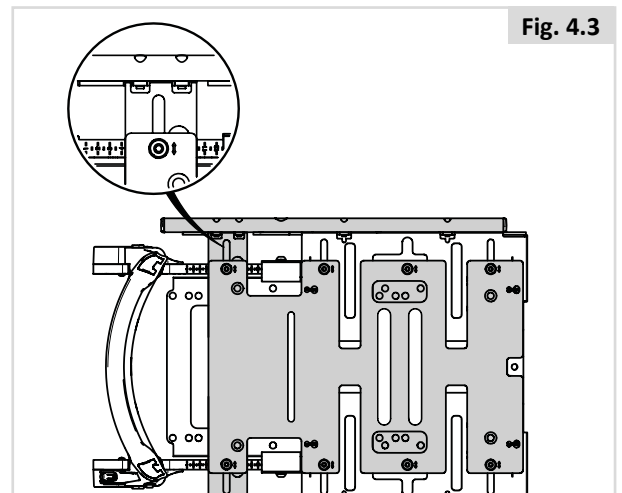


Fig. 4.3

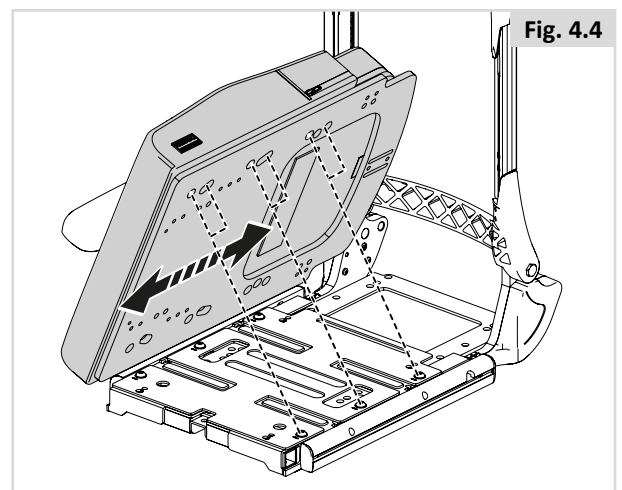


Fig. 4.4

4.2 Zitbreedte instellen

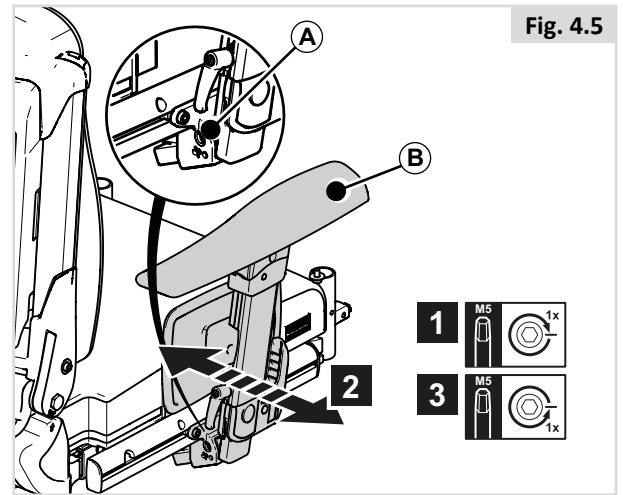
Naar achter wegklapbare armsteun /uitneembare armsteun (met één stang) breedte instelling (fig. 4.5).

Kleine aanpassingen kunnen via de arMLEuning worden gerealiseerd; voor grotere aanpassingen moet ook de breedte van de zitplaat vooraf worden ingesteld.

1. Draai (A) met één slag los.
2. Plaats (B) in de gewenste positie.
3. Draai vast (A).

OPMERKING/OPGELET!

- Controleer of de nieuwe positie van de armsteun geen belemmering vormt voor andere positioneringsmodules.

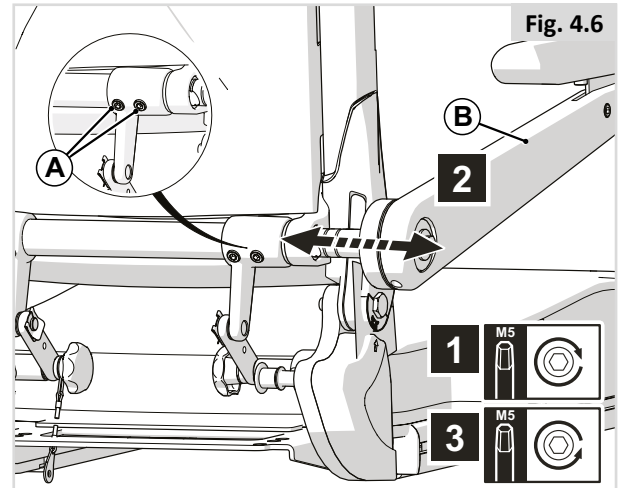


Opklapbare, meebewegende armsteun breedte instelling (fig. 4.6)

1. Verwijder 2 schroeven (A)
2. Plaats (B) in de gewenste positie.
3. Draai vast (A).

OPMERKING/OPGELET!

- Controleer of de nieuwe positie van de armsteun geen belemmering vormt voor andere positioneringsmodules. Als er kabels aan de armsteun vast zitten, controleer dan de lengte.

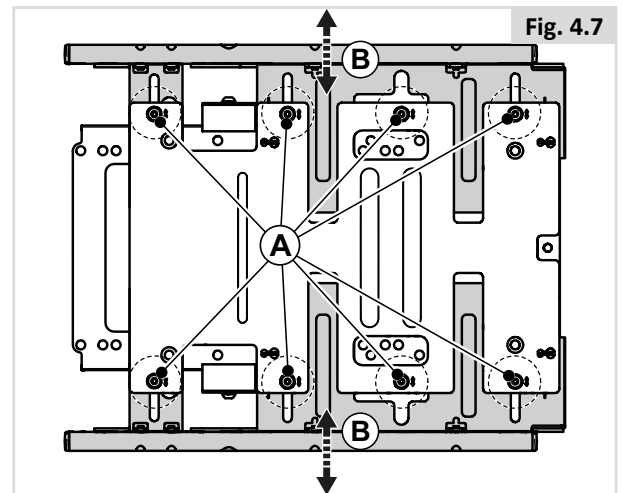


Breedte van de zitplaat (fig. 4.7)

Haal het zitkussen van de Velcro® klittenbanden af om bij de zitplaten te kunnen komen.

1. Draai (A) met één slag los.
2. Plaats (B) in de gewenste positie.
3. Draai vast (A).

De breedte van de zitting wordt aangegeven door de schaal die langs iedere gleuf loopt.



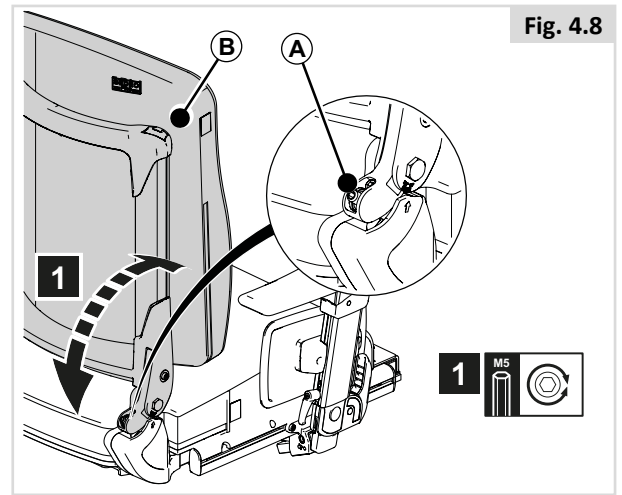
4.3 Instellingen rugleuning

Hoek rugleuning (Fig. 4.8).

1. Draai (A) om (B) te kunnen aanpassen.

⚠ OPMERKING/OPGELET!

Gebruik **GEEN** elektrische apparatuur voor deze aanpassing.

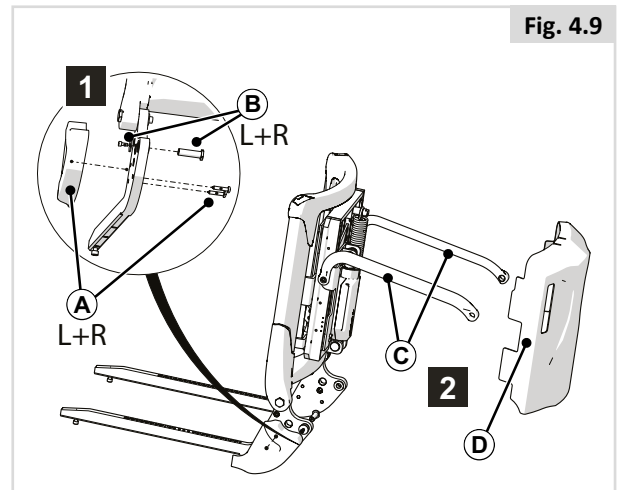


Basishoek instellen rughoekverstelling (fig. 4.9 - 4.10)

1. Verwijder bouten (A + B) en draai (C).
2. Verwijder beschermkap (D)
3. Verwijder 2 schroeven om de beschermkap (E) te verwijderen.
4. Draai (F) met één slag los.
5. Verstel naar de gewenste positie.
6. Draai vast (F).

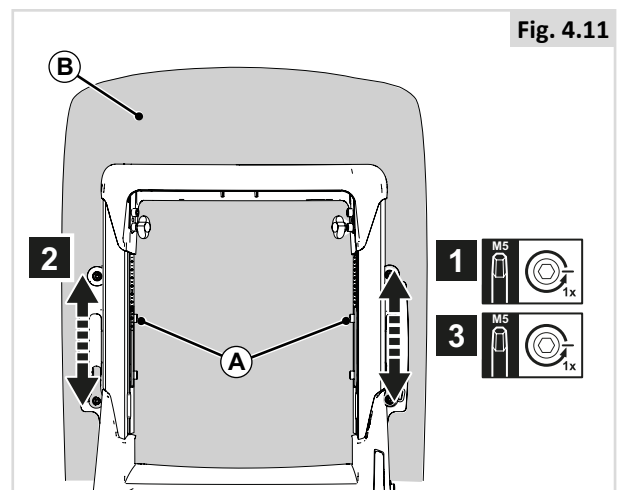
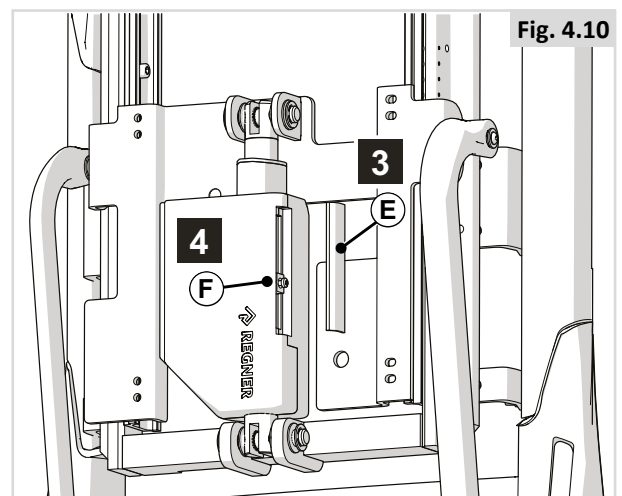
⚠ OPMERKING/OPGELET!

Nadat bout (B) is verwijderd, moet de rugleuning worden vastgehouden, anders valt deze naar voren of achteren.



Hoogte instelling rugleuning met vaste rug (fig. 4.11)

1. Draai (A) met één slag los.
2. Plaats (B) in de gewenste positie.
3. Draai vast (A).



Hoogte instelling rugleuning bij in hoek instelbaar rugframe (fig. 4.12)

1. Draai (A) met één slag los.
2. Plaats (B) in de gewenste positie.
3. Draai vast (A).

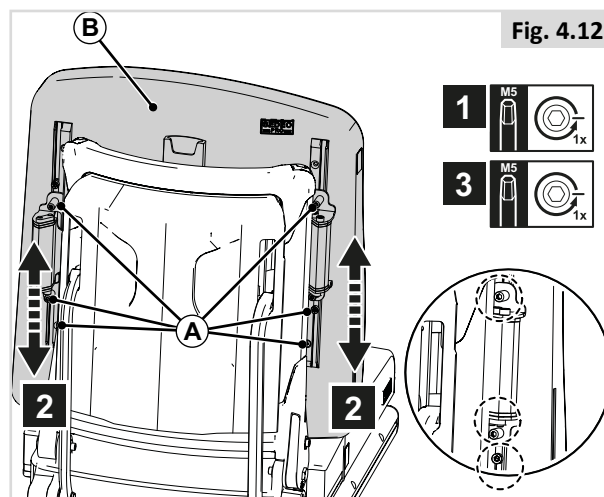


Fig. 4.12

Instellen laterale steun flexibele rugleuning (fig. 4.13)

1. Draai (A) met één slag los.
2. Plaats (B) in de gewenste positie.
3. Draai vast (A).

Spanbanden flexibele rugleuning (fig. 4.14)

De rolstoel heeft een gepolsterde rugleuning die aan de kromming van de rug kan worden aangepast. Hierdoor wordt een comfortabele zitpositie en goede stabiliteit verkregen. De gebruiker kan in de rolstoel blijven zitten terwijl de aanpassingen aan de spanbanden van de rugleuning wordt uitgevoerd.

1. Open de rits
2. Druk op A om de band los te koppelen
3. Span alle banden afzonderlijk losser of strakker
4. Laat A los om de instelling van de band te behouden

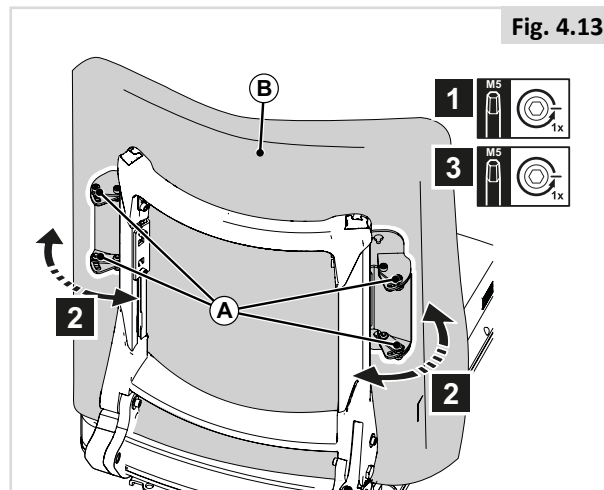



Fig. 4.13

J3 rugleuning, (fig. 4.15)

 **OPMERKING:** De Jay 3 Rugleuning kan in combinatie met het Sedeo Pro zitsysteem worden gebruikt. Voor informatie over de bevestiging en aanpassingen verwijzen we naar de gebruikershandleiding van de J3 Rugleuning.

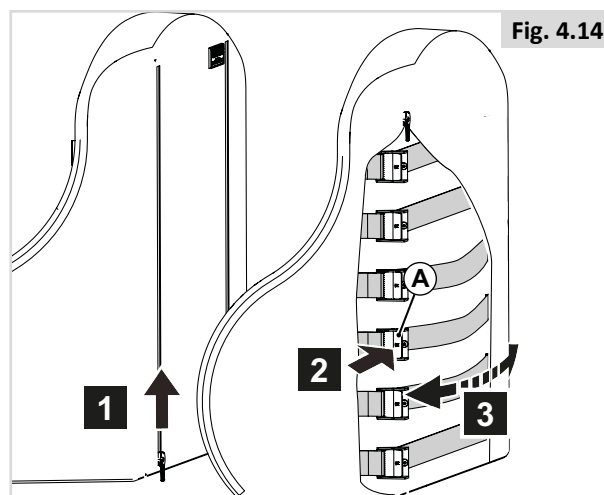


Fig. 4.14

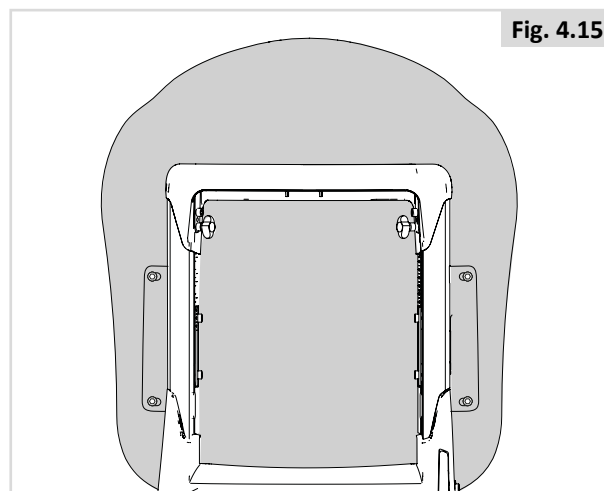


Fig. 4.15

4.4 Instellingen naar achter wegklapbare armsteun / uitneembare armsteun (met één stang)

Hoogte armsteun (fig. 4.16)

1. Draai (A) met één slag los.
2. Plaats (B) in de gewenste positie.
3. Draai vast (A).

Zie erop toe dat de armen goed worden ondersteund, zonder dat de schouders omhoog worden geduwd.

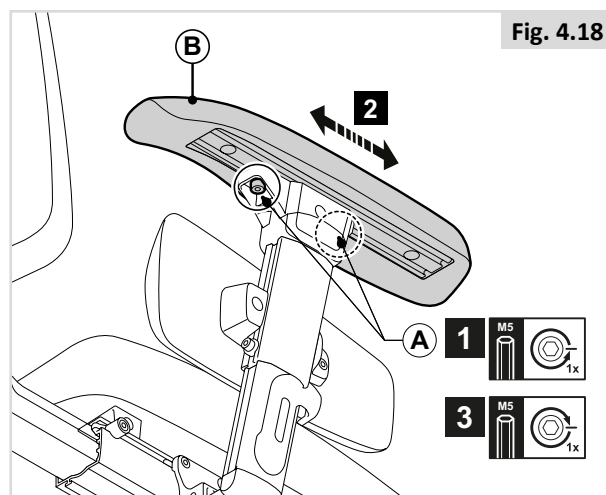
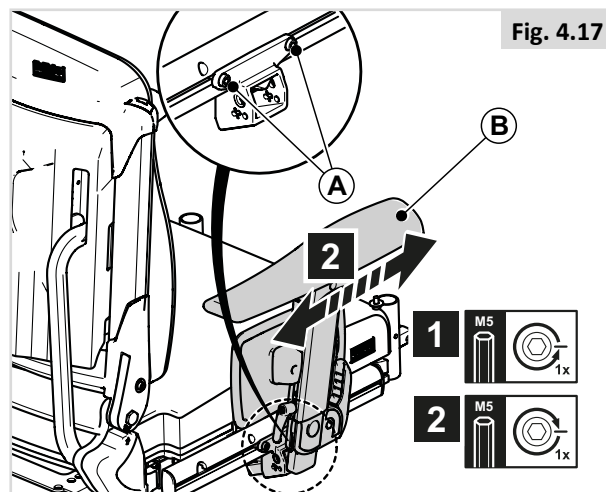
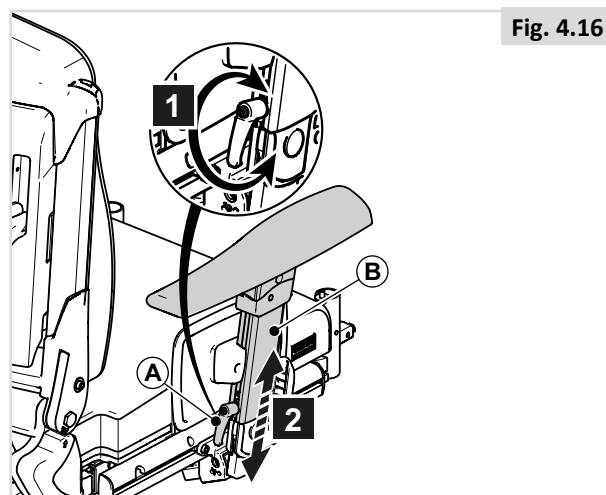
Diepte armsteun (fig. 4.17)

1. Draai (A) met één slag los.
2. Plaats (B) in de gewenste positie.
3. Draai vast (A).

Plaats de naar achter wegklapbare armsteunen verder naar achteren om meer ruimte te krijgen voor een zijwaartse transfer. Plaats de armsteun verder naar voren om meer steun voor een voorwaartse transfer te krijgen.

Diepte armlegger (fig. 4.18)

1. Draai (A) met één slag los.
2. Plaats (B) in de gewenste positie.
3. Draai vast (A).



Breedte armligger (fig. 4.19-4.22)

Om deze te verwijderen:

1. Draai (A) los.
2. Verwijder (B).
3. Draai (E) met één slag los.
4. Verwijder (F).

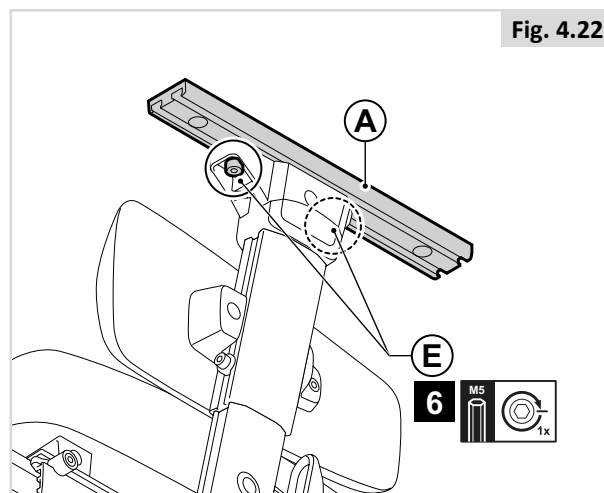
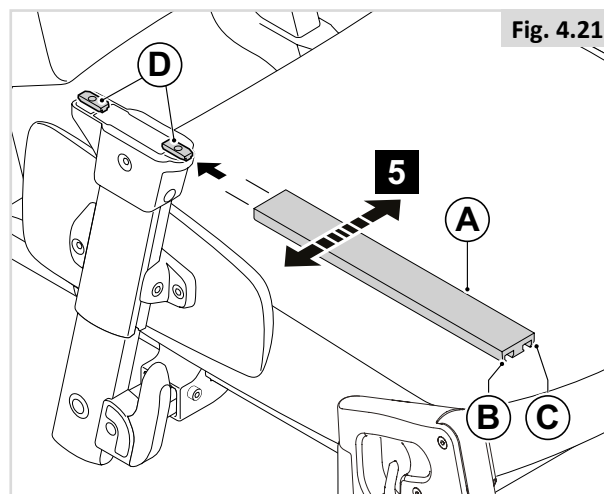
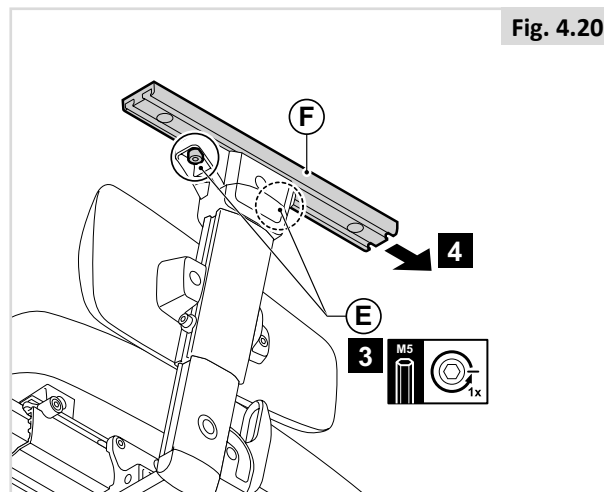
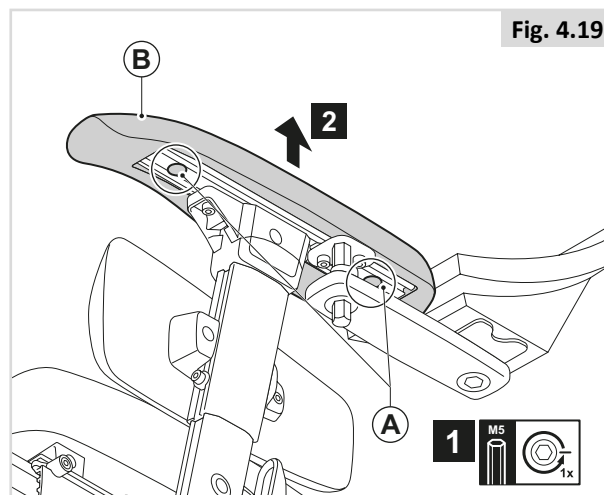
Om te verplaatsen:

1. Schuif (A) samen met B of C op D

OPMERKING/OPGELET!

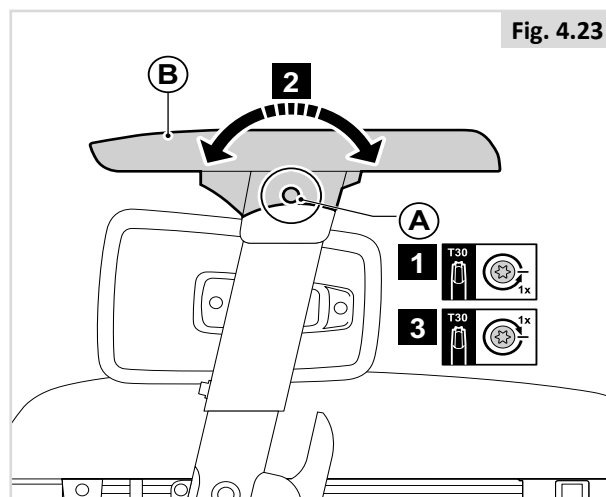
Zorg ervoor dat de richel op het klemblok in de opening valt.

1. Pas de diepte van (A) aan en draai (E) vast.
2. Plaats de montagebeugel voor de stuurkast.
3. Plaats de armsteun.



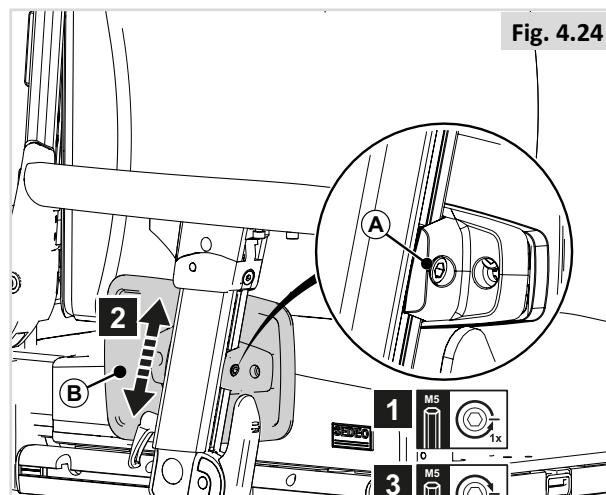
Hoek armsteun (fig. 4.23)

1. Draai (A) met één slag los.
2. Plaats (B) in de gewenste positie.
3. Draai vast (A).



Hoogte zijkussen (fig. 4.24)

1. Draai (A) met één slag los.
2. Plaats (B) in de gewenste positie.
3. Draai vast (A).



4.5 Instellen opklapbare, meebewegende armsteunen

Hoogte armsteun

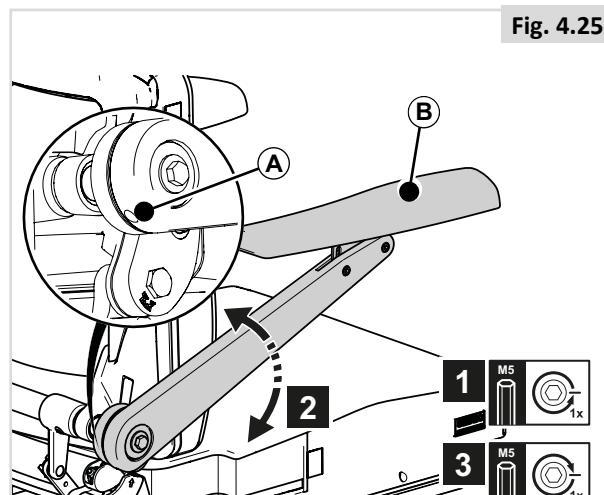
Zowel bij een grote of een kleine aanpassing bestaat het proces uit twee delen:

DEEL 1 (fig. 4.25)

1. Draai (A) om (B) te kunnen aanpassen.

DEEL 2 (fig. 4.26)

1. Draai (A) met één slag los.
2. Plaats (B) in de gewenste positie.
3. Draai beide schroeven weer aan.



Diepte armlegger (fig. 4.27)

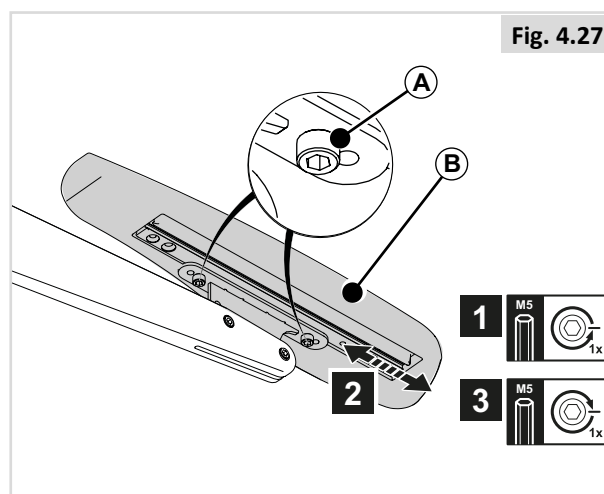
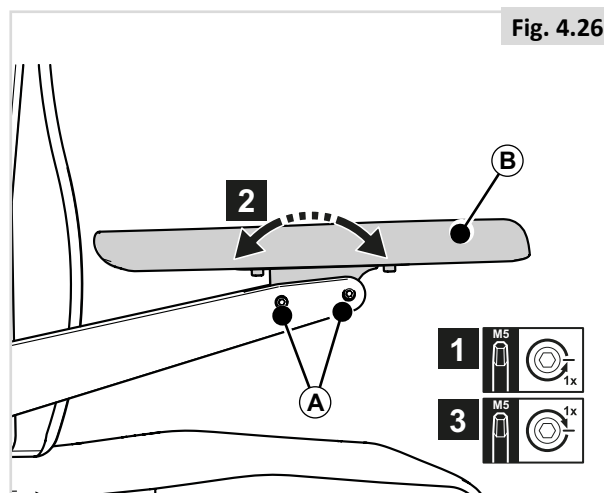
1. Draai (A) met één slag los.
2. Plaats (B) in de gewenste positie.
3. Draai vast (A).

OPMERKING

Om de achterste schroef bij een lage armleggerhoogte te bereiken, draait u schroeven (A) van fig. 4.24 los en past u eerst de hoek van het kussen aan.

GEVAAR/WAARSCHUWING!

Periodiek moet worden gecontroleerd of alle schroeven nog goed vast zitten. Een armsteun die los zit, kan naar beneden glijden wanneer er druk op wordt uitgeoefend.



4.6 Zijkussen

Hoogte zijkussen (fig. 4.28)

1. Draai (A) los
2. Plaats (B) in de gewenste positie.
3. Draai vast (A).

Diepte zijkussen (fig. 4.29)

1. Draai (A) met één slag los.
2. Plaats (B) in de gewenste positie.
3. Draai vast (A).

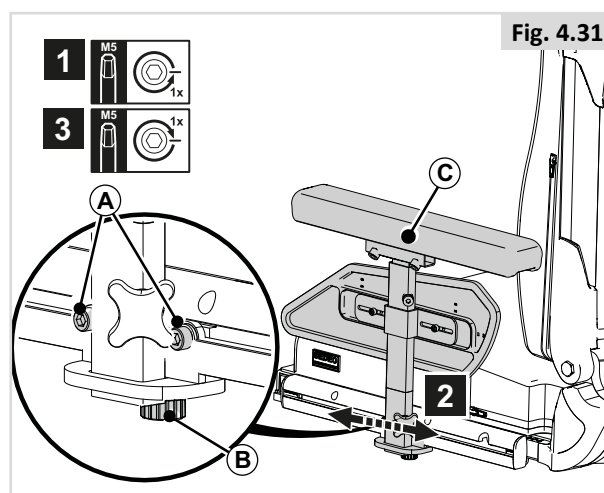
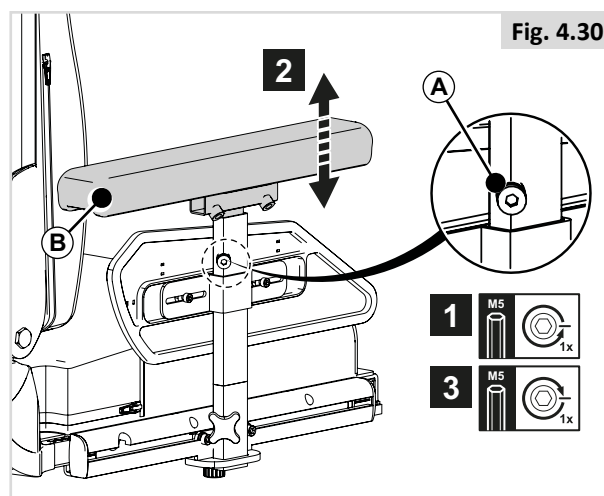
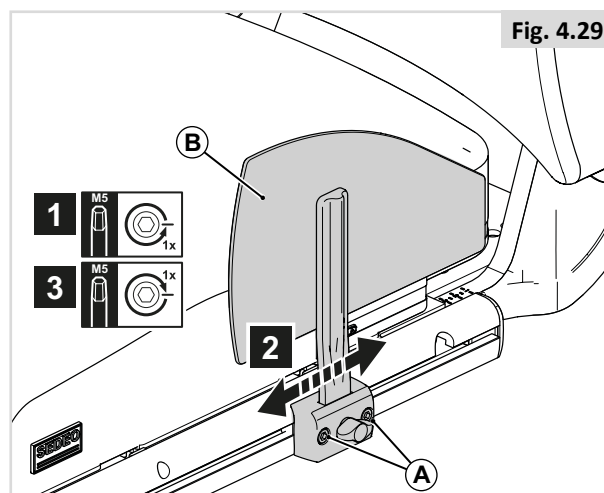
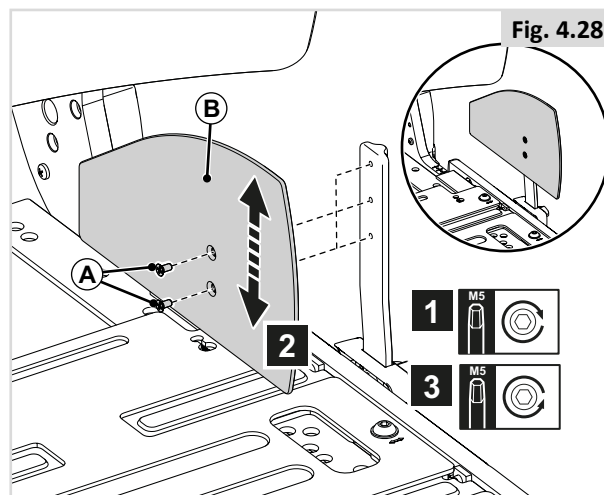
4.7 Instellen SEDEO LITE uitneembare armsteunen

Hoogte armsteun (fig. 4.30)

4. Draai (A) met één slag los.
5. Plaats (B) in de gewenste positie.
6. Draai vast (A).

Diepte armsteun (fig. 4.31)

1. Draai (A) met één slag los.
2. Draai (B) los.
3. Plaats (C) in de gewenste positie.
4. Draai vast (A) en (B).



4.8 Instellen mechanische centrale beensteun

Onderbeenlengte (fig. 4.32)

1. Draai (A) met één slag los.
2. Plaats (B) in de gewenste positie.
3. Draai vast (A).

! OPMERKING/OPGELET!

Zorg ervoor dat er onder (B) voldoende vrije ruimte is zodat de rolstoel over obstakels kan rijden.

Knieshoek (fig. 4.33)

1. Draai (A) met twee slagen los.
2. Plaats (B) in de gewenste positie.
3. Draai vast (A).

! OPMERKING/OPGELET!

Wijzig de hoogte of de hoek van de knie als de voetplaat de zwenkwiel raakt.

Enkelhoek (fig. 4.34)

1. Doe (A) omhoog.
2. Draai (B) om de hoek van de enkel naar wens in te stellen.
3. Vouw (A) naar beneden.

Hoogte van centrale kuitsteunen (fig. 4.35)

1. Draai (A) met één slag los.
2. Plaats (B) in de gewenste positie.
3. Draai vast (A).

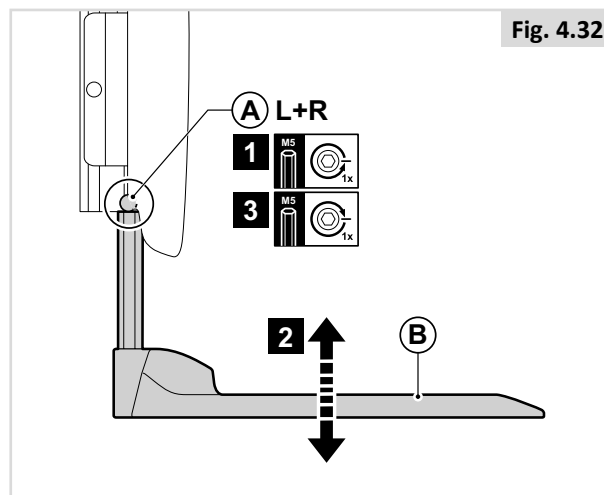


Fig. 4.32

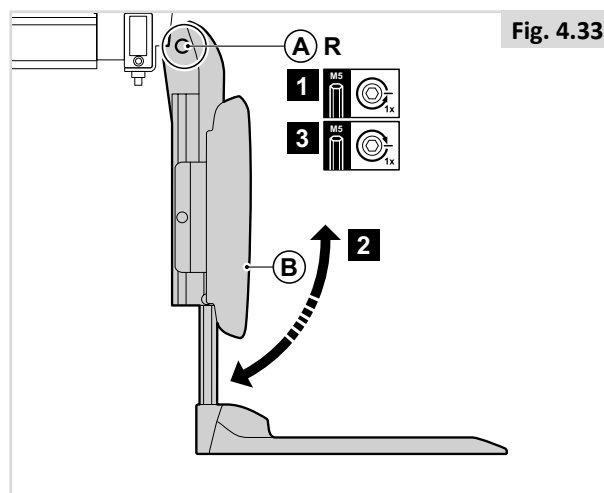


Fig. 4.33

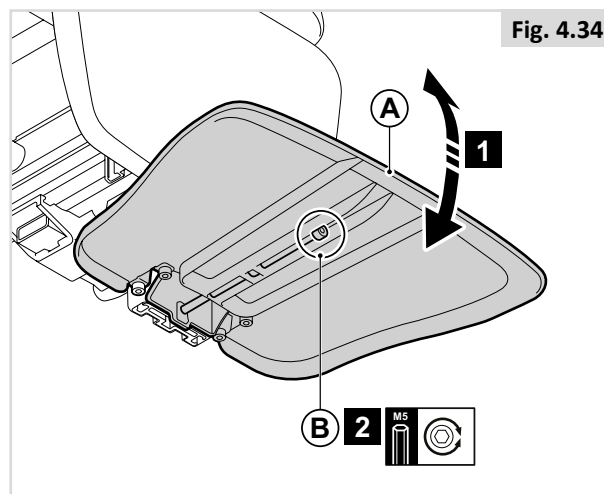


Fig. 4.34

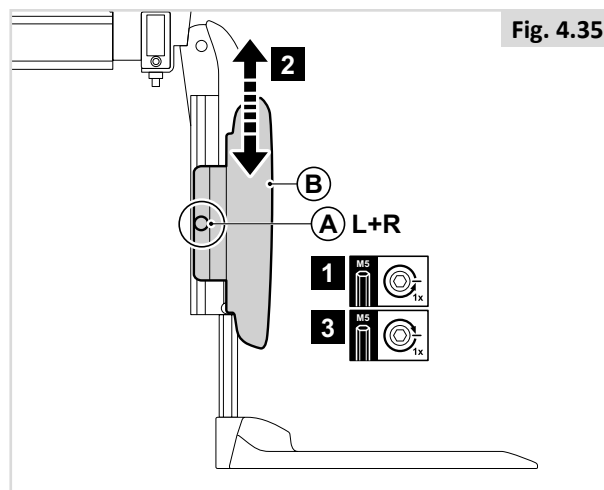
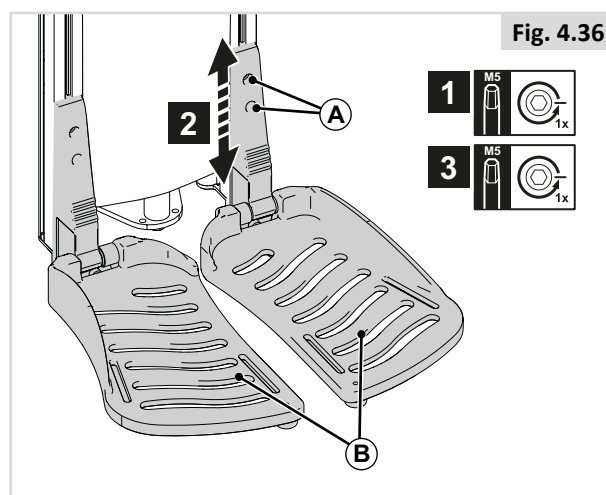


Fig. 4.35

4.9 Eenmalig in hoek instelbare middenbeensteun

Onderbeenlengte (fig. 4.36)

1. Draai (A) met één slag los.
2. Plaats (B) in de gewenste positie.
3. Draai vast (A).
4. Herhaal dit aan de andere kant.

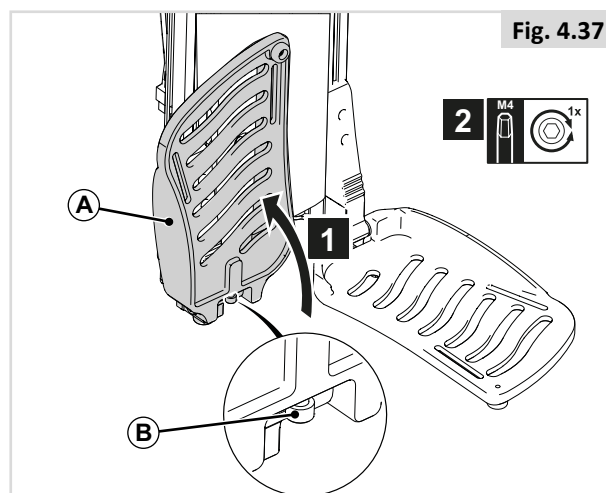


Enkelhoek (fig. 4.37)

1. Doe (A) omhoog.
2. Draai (B) om de hoek van de enkel naar wens aan te passen (4 mm inbussleutel)
3. Vouw (A) naar beneden.

GEVAAR/WAARSCHUWING!

- Na de aanpassing en met de stoel in de normale rijpositie: Controleer of er voldoende ruimte is (> 25mm) tussen de vloer en de voetsteun.
- Controleer dit terwijl de gebruiker in de stoel zit en de beensteun belast.
- Wanneer de rolstoel wordt gebruikt terwijl de beensteun te laag zit, kan dit leiden tot persoonlijk letsel of schade aan de rolstoel en de omgeving.

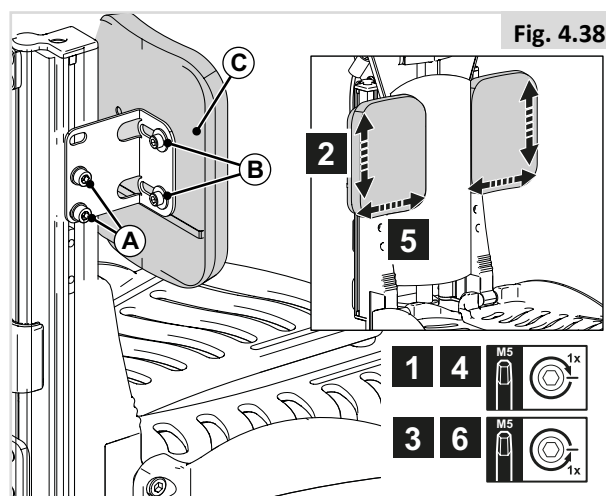


Hoogte kuitsteun (fig. 4.38)

1. Draai (A) met één slag los.
2. Plaats (C) in de gewenste positie.
3. Draai vast (A).

Breedte kuitsteun (fig. 4.38)

4. Draai (B) met één slag los.
5. Plaats (C) in de gewenste positie.
6. Draai vast (B).



4.10 Instellen elektrische centrale beensteun

GEVAAR/WAARSCHUWING!

- Let goed op uw omgeving zodat uw benen niet gewond raken wanneer de u de centrale beensteun verstelt
- Controleer altijd of de beensteunen of voetplaten niet in contact komen met de zwenkwielen voordat u de rolstoel in beweging zet.
- Beensteunen mogen nooit worden gebruikt om de rolstoel op te tillen of te dragen.
- Zoals bij alle bewegende delen: let op dat uw vingers niet beklemd raken. (fig. 4.39).

Onderbeenlengte (fig. 4.40)

De hoek van de elektrisch verstelbare beensteun kan ten opzichte van de grond 90° tot 180° worden versteld en de lengte kan elektrisch tot 180 mm worden versteld.

1. Draai (A) met één slag los.
2. Plaats (B) in de gewenste positie.
3. Draai vast (A).
4. Herhaal dit aan de andere kant.

OPMERKING/OPGELET!

Er is een schakelaar gemonteerd wanneer de optionele functie 'Voetplaat naar de grond' (fig. 4.41) aanwezig is. De schakelaar (A) moet in hoogte worden aangepast nadat de voetplaat hoogte aan de onderbeenlengte is aangepast. Controleer of de bal van de schakelaar zich volledig onder de laagste rand van de voetsteun (B) bevindt.

Enkelhoek (fig. 4.42)

1. Doe (A) omhoog.
2. Draai (B) om de hoek van de enkel naar wens aan te passen (4 mm inbussleutel)
3. Vouw (A) naar beneden.

GEVAAR/WAARSCHUWING!

- Na de aanpassing en met de stoel in de normale rijpositie: Controleer of er voldoende ruimte is (> 25mm) tussen de vloer en de voetsteun.
- Controleer dit terwijl de gebruiker in de stoel zit en zijn/haar voeten op de voetplaat laat rusten.

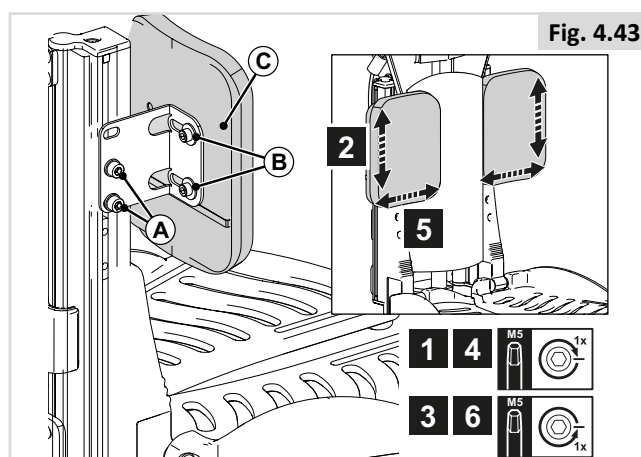
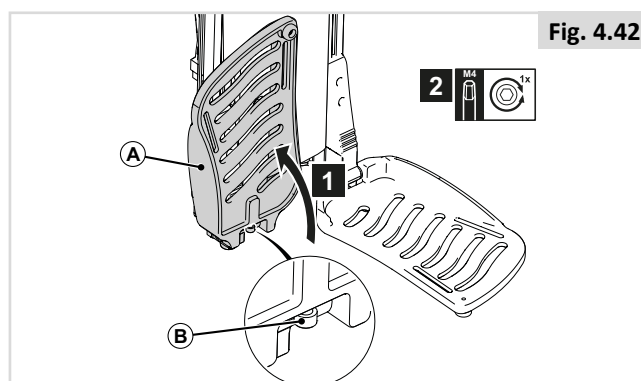
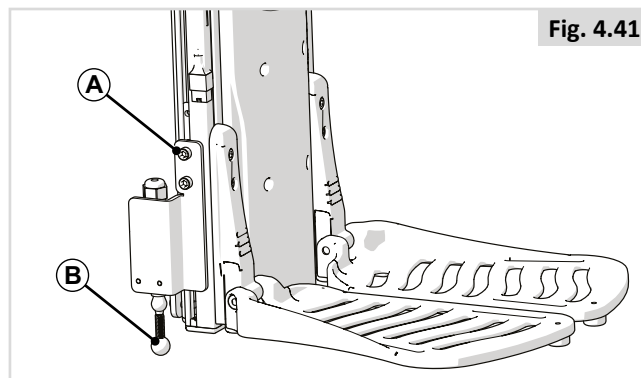
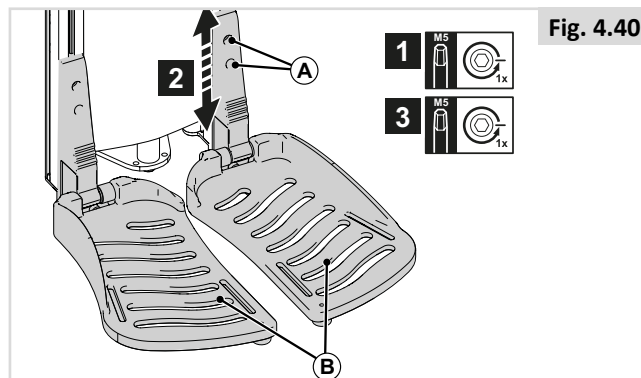
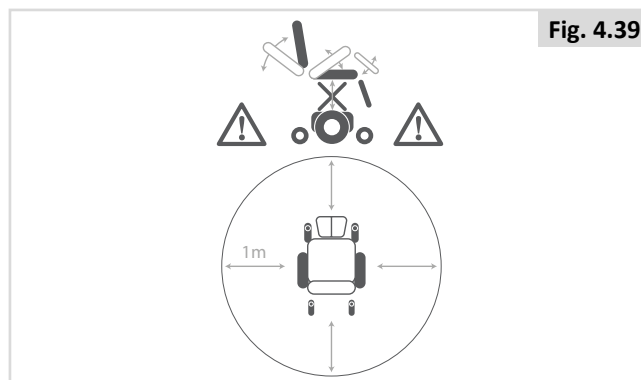
Wanneer de rolstoel wordt gebruikt terwijl de voetplaat te laag is ingesteld, kan dit leiden tot persoonlijk letsel of schade aan de rolstoel en de omgeving.

Hoogte kuitsteun (fig. 4.43)

1. Draai (A) met één slag los.
2. Plaats (C) in de gewenste positie.
3. Draai vast (A).

Breedte kuitsteun (fig. 4.43)

4. Draai (B) met één slag los.
5. Plaats (C) in de gewenste positie.
6. Draai vast (B).



4.11 Instellen wegzwenkbare beensteunen

Breedte beensteun (fig. 4.44)

1. Draai (A) met één slag los.
2. Plaats (B) in de gewenste positie.
3. Draai vast (A).

Onderbeenlengte (fig. 4.45)

1. Draai (A) met één slag los.
2. Plaats (B) in de gewenste positie.
3. Draai vast (A).

OPMERKING/OPGELET!

Zorg ervoor dat er onder (B) voldoende vrije ruimte is zodat de rolstoel over obstakels kan rijden.

Enkelhoek (fig. 4.46)

1. Draai (A) met enkele slagen los.
2. Plaats (B) in de gewenste positie.
3. Draai vast (A).

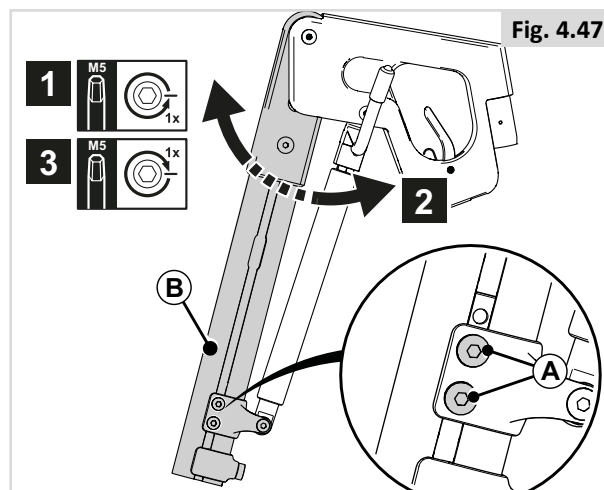
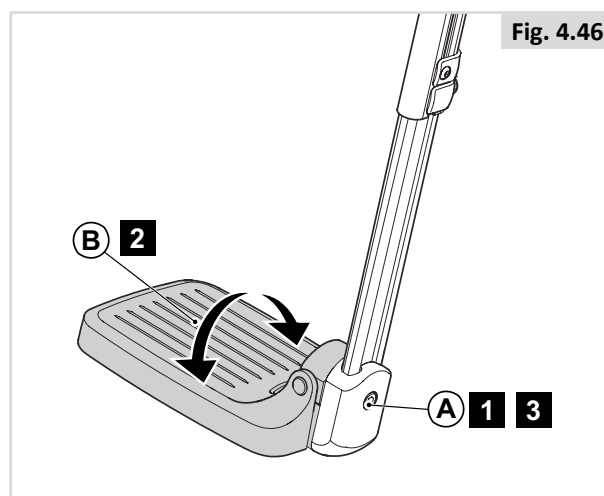
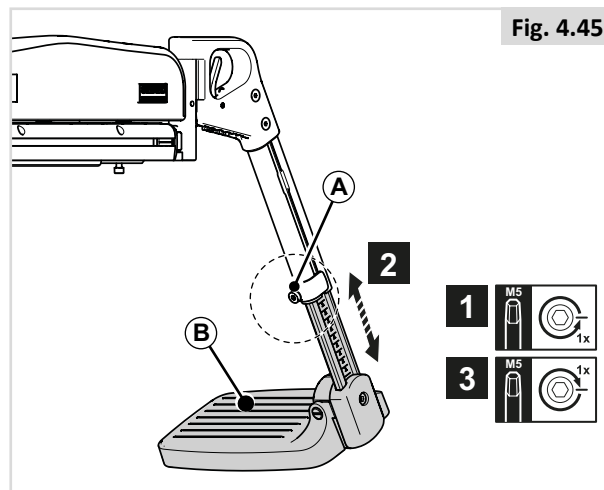
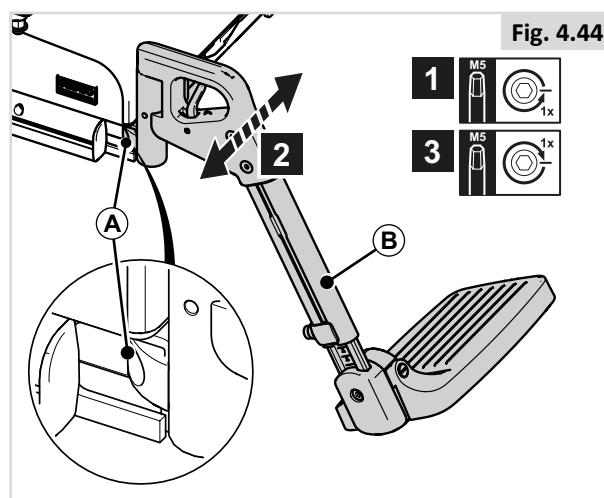
Kniehoek mechanische/ elektrische beensteun (fig. 4.47)

De positie van de voetplaten kan worden gewijzigd door de hoek van de knie aan te passen.

1. Draai (A) met enkele slagen los.
2. Plaats (B) in de gewenste positie.
3. Draai vast (A).

OPMERKING/OPGELET!

Wijzig de hoogte of de hoek van de knie als de voetplaat de zwenkwielen raakt.



Hoogte kuitsteun (fig. 4.48)

1. Draai (A) met enkele slagen los.
2. Plaats (D) in de gewenste positie.
3. Draai vast (A).

Diepte kuitsteun (fig. 4.48)

4. Draai (B) met enkele slagen los.
5. Plaats (D) in de gewenste positie.
6. Draai vast (B).

Breedte kuitsteun (fig. 4.48)

7. Draai (C) op de achterzijde van (D) met enkele slagen los.
8. Plaats (D) in de gewenste positie.
9. Draai vast (C).

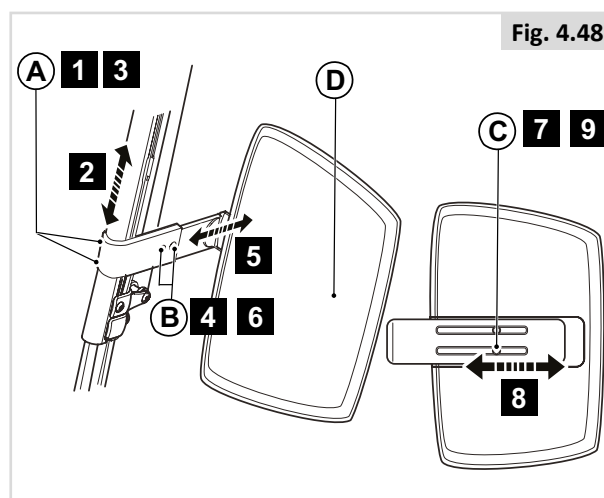


Fig. 4.48

4.12 Instellen hoofdsteun

GEVAAR/WAARSCHUWING!

- Als de hoofdsteun onderdeel uitmaakt van de opties die voor de gebruiker zijn geselecteerd, rijd dan niet in de stoel zonder dat de hoofdsteun is bevestigd.
- Gebruik de rolstoel nooit zonder hoofdsteun als een persoon in de rolstoel wordt vervoerd in een voertuig.

Hoogte hoofdsteun (fig. 4.49)

1. Draai (A) met enkele slagen los.
2. Plaats (B) in de gewenste positie.
3. Draai vast (A).

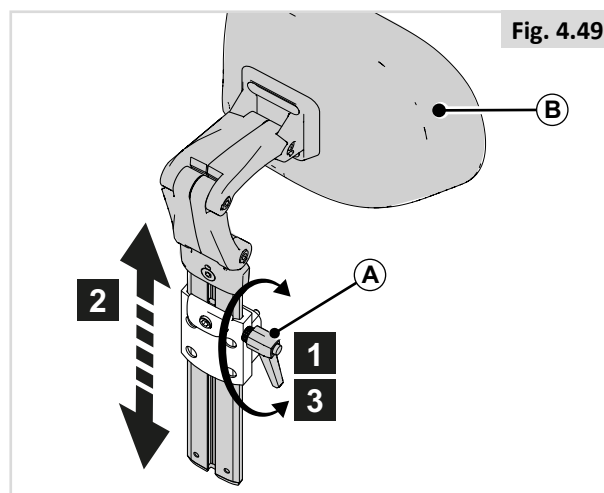


Fig. 4.49

Geheugeninstelling (fig. 4.50)

1. Draai (C) met één slag los.
2. Schuif (D) zo ver als mogelijk is naar beneden.
3. Draai vast (C).

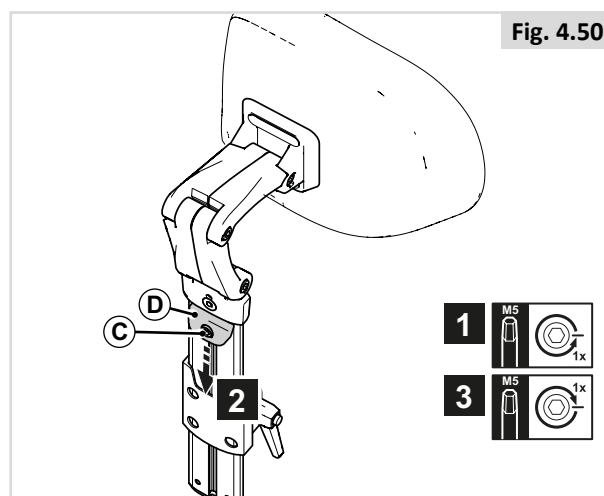


Fig. 4.50

Positie hoofdsteun (fig. 4.51)

1. Draai (A) met één slag los.
2. Plaats (B) in de gewenste positie.
3. Draai vast (A).

OPMERKING/OPGELET!

Corrigeer de hoogte van de hoofdsteun en kantel het kussen van de hoofdsteun naar wens.

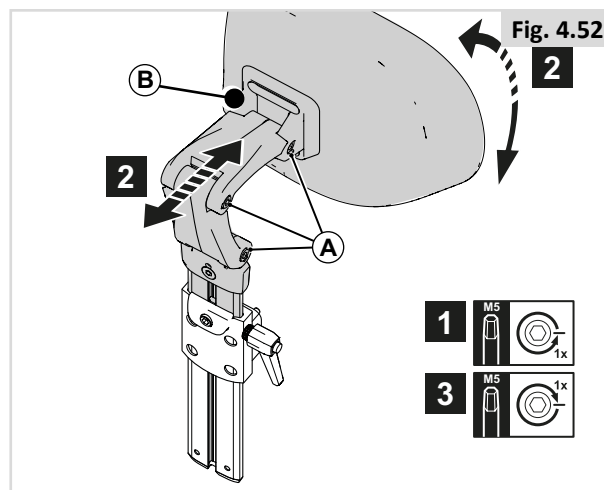
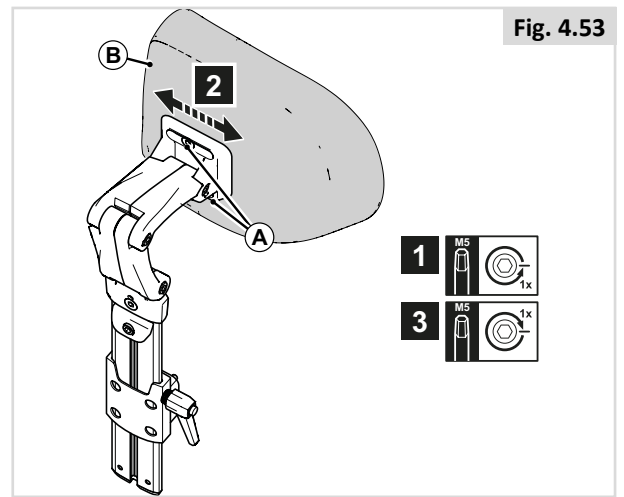


Fig. 4.52

Breedte instelling hoofdsteun kussen (fig. 4.53)

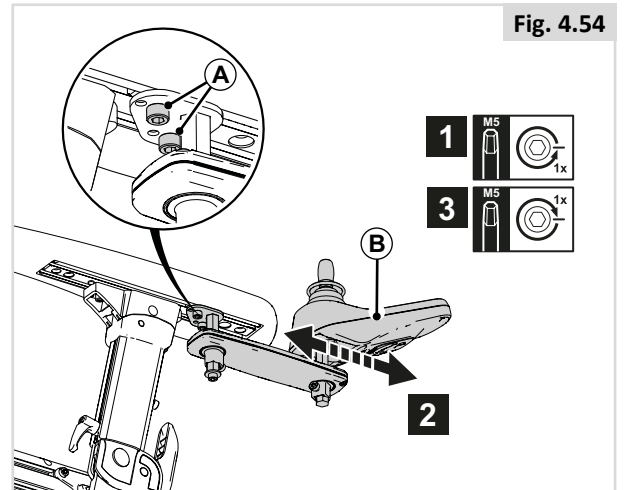
1. Draai (A) met één slag los.
2. Plaats (B) in de gewenste positie.
3. Draai vast (A).



4.13 Instellen vaste/wegzwenkbare beugel voor stuurkast

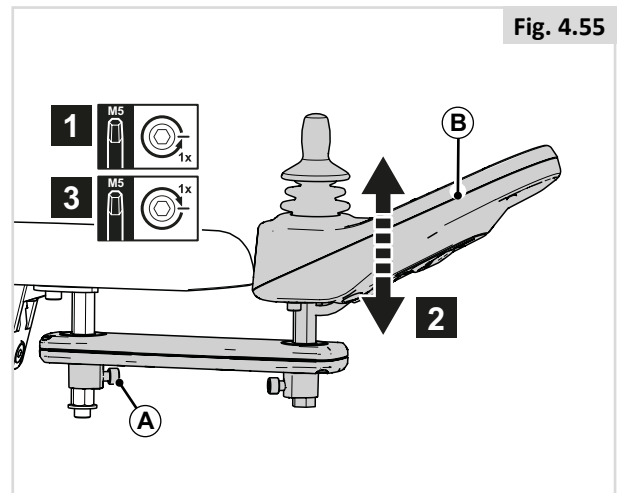
Diepte van de stuurkast (fig. 4.54)

1. Draai (A) met één slag los.
2. Plaats (B) in de gewenste positie.
3. Draai vast (A).



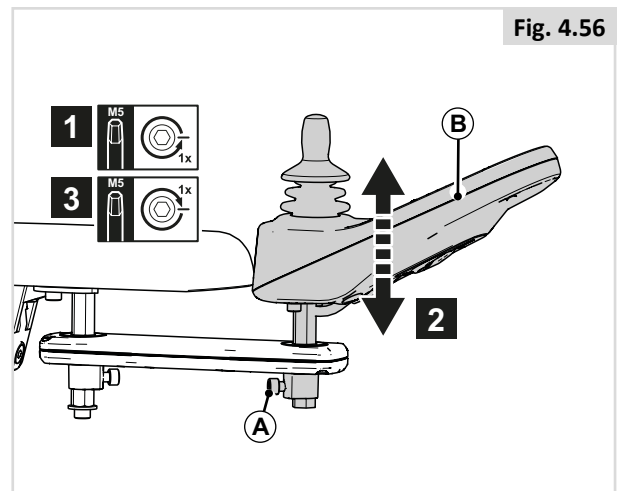
Hoogte van de stuurkast (1) (fig. 4.55)

1. Draai (A) met één slag los.
2. Plaats (B) in de gewenste positie.
3. Draai vast (A).



Hoogte van de stuurkast (2) (fig. 4.56)

1. Draai (C) met één slag los.
2. Plaats (D) in de gewenste positie.
3. Draai vast (C).



4.14 Vooraf ingestelde dijbeensteun

Hoogte dijbeensteun (fig. 4.57)

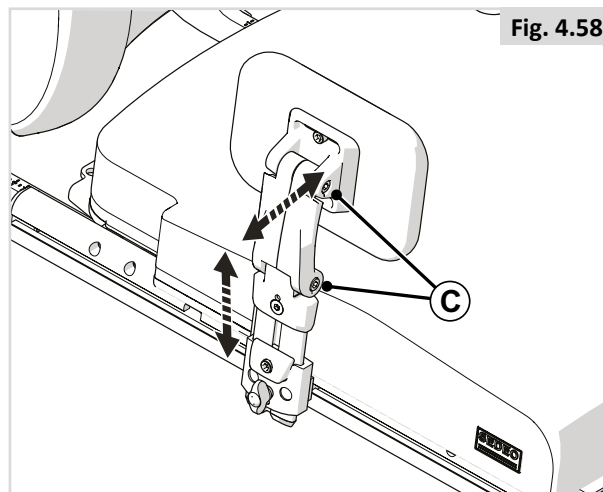
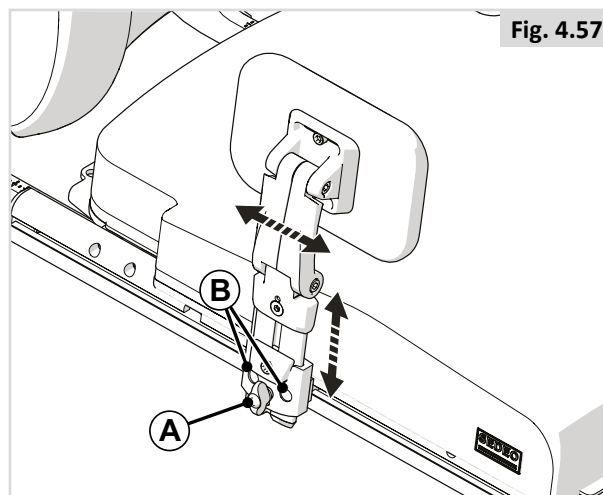
1. Draai (A) met één slag los.
2. Verstel naar de gewenste positie.
3. Draai vast (A).

Diepte dijbeensteun (fig. 4.57)

1. Draai (A) met één slag los en til de dijbeensteun op.
2. Draai 2 schroeven (B) één slag los.
3. Verstel naar de gewenste positie.
4. Draai eerst (B) en daarna (A) weer vast.

Breedte dijbeensteun (fig. 4.58)

1. Draai (C) met één slag los.
2. Verstel naar de gewenste positie.
3. Draai vast (C).



4.15 Instellen rompelotten

Breedte rompelotten (fig. 4.59)

1. Draai (A) helemaal los.
2. Plaats (B) in de gewenste positie.
3. Draai vast (A).

Hoogte rompelotten (fig. 4.60)

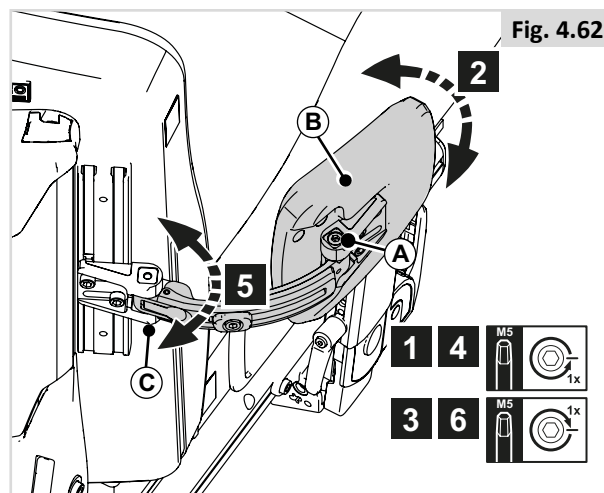
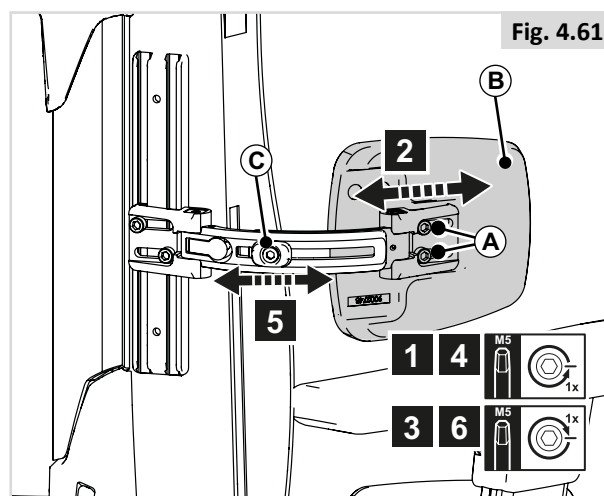
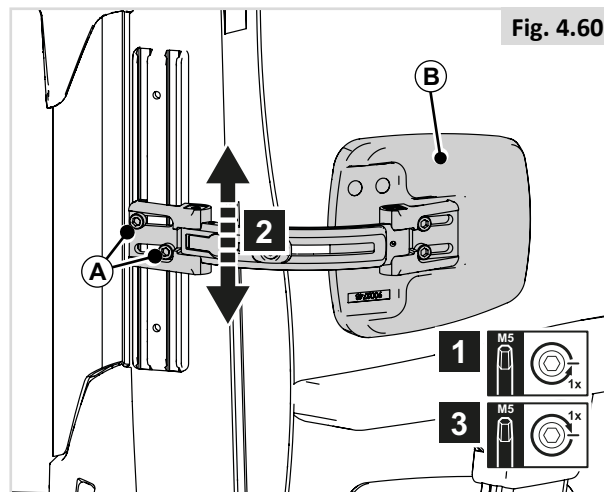
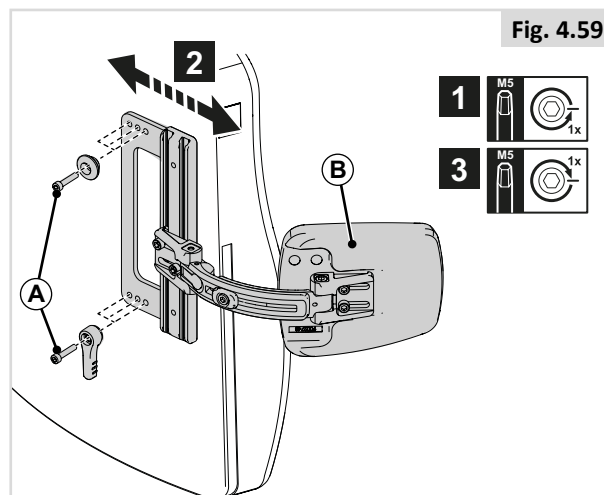
1. Draai (A) met één slag los.
2. Plaats (B) in de gewenste positie.
3. Draai vast (A).

Diepte rompelotten (fig. 4.61)

1. Draai (A) met één slag los.
2. Plaats (B) in de gewenste positie.
3. Draai vast (A).
4. Draai (C) met één slag los.
5. Plaats (B) in de gewenste positie.
6. Draai vast (C).

Hoek rompelotten (fig. 4.62)

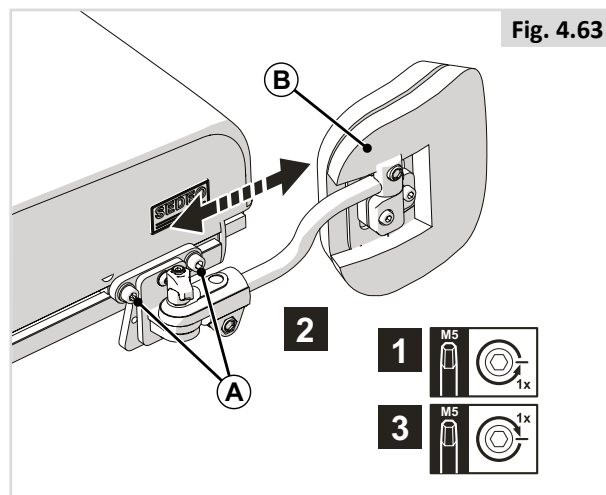
1. Draai (A) met één slag los.
2. Plaats (B) in de gewenste positie.
3. Draai vast (A).
4. Draai (C) met één slag los.
5. Plaats (B) in de gewenste positie.
6. Draai vast (C).



4.16 Vooraf ingestelde laterale, wegzwenkbare kniesteun

Diepte kniesteun (fig. 4.63)

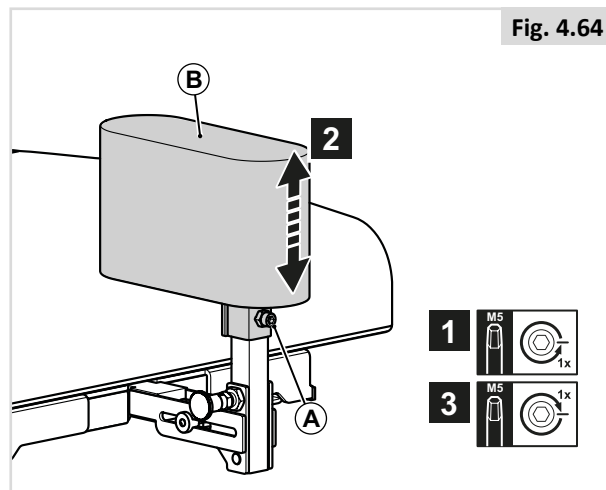
1. Draai (A) met één slag los.
2. Plaats (B) in de gewenste positie.
3. Draai vast (A).



4.17 Instellen abductieklos

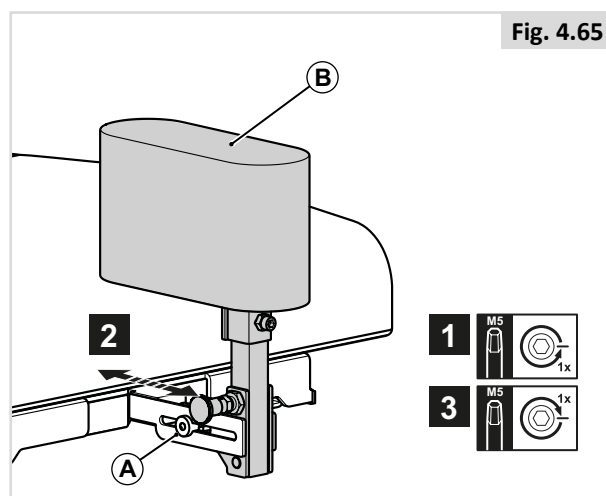
Hoogte abductieklos (fig. 4.64)

1. Draai (A) met één slag los.
2. Plaats (B) in de gewenste positie.
3. Draai vast (A).



Diepte abductieklos (fig. 4.65)

1. Draai (A) met één slag los.
2. Plaats (B) in de gewenste positie.
3. Draai vast (A).



4.18 Heupgordel / positioneringsgordel

GEVAAR/WAARSCHUWING!

- Dit product mag uitsluitend worden gebruikt om één persoon in een rolstoel in positie te houden.
- Heupgordels zijn niet geschikt als veiligheidsgordel tijdens transport. Hiervoor moeten goedgekeurde veiligheidsgordels worden gebruikt.
- Wanneer deze waarschuwingen niet worden opgevolgd, kan dit leiden tot ernstig letsel of overlijden.
- Zorg ervoor dat de verzorger of begeleider bekend is met de wijze waarop de gordels gebruikt moeten worden.
- Wanneer verzorgers of begeleiders niet getraind zijn in het gebruik van gordels, kan dit tot oponthoud leiden wanneer zich een noodsituatie voordoet.

Bevestiging van een heupgordel/positioneringsgordel

1. Bevestig (A) aan het frame van de zitting met een schroef aan de linker- en rechterkant. (Fig. 4.67)

Positionering van een persoon met een heupgordel

- Pas de heupriem aan tot deze past, maar laat niet meer dan een handbreedte vrij voor gemak en veiligheid (Fig. 4.68).
- De ruimte voor de hand moet krap zijn, gemeten met de gordel op normale spanning; er mag niet teveel ruimte zijn en er mogen geen lussen in de gordel ontstaan.
- Over het algemeen moet de heupgordel zodanig bevestigd zijn dat de gordel in een hoek van 45° vastgemaakt kan worden (Fig. 4.69). Als de gordel op de juiste wijze bevestigd is, kan de gebruiker niet in de rolstoel naar beneden glijden.
- Plaats de riem losjes over het zitsysteem met het open eind van de gesp naar rechts voor een linkshandige persoon en naar links voor een rechtshandige persoon. Steek de uiteinden van de gordel door de sleuf tussen de bekleding en stangen van de rugleuning.

GEVAAR/WAARSCHUWING!

- Controleer voor gebruik altijd of de heupgordel op de juiste wijze is bevestigd en op maat is gemaakt.
- Wanneer de gordel te los zit, kan de gebruiker naar beneden glijden. Dit kan leiden tot ernstig letsel.
- Controleer de gordel en de bevestigingsmaterialen geregeld op slijtage of beschadiging. Vervang de gordel indien noodzakelijk.
- Tijdens de onderhoudsbeurt moet gecontroleerd worden of de gesp goed functioneert en of er sprake is van slijtage van het materiaal of de plastic beugels.
- Regelmatige controles/activiteiten:
- Alle positioneringscomponenten moeten na verloop van tijd worden gecorrigeerd, omdat de gebruiker zijn of haar zithouding verandert.
- Controleer regelmatig of de gordels goed passen, zodat de veiligheid en het comfort van de gebruiker worden gegarandeerd.

Fig. 4.66

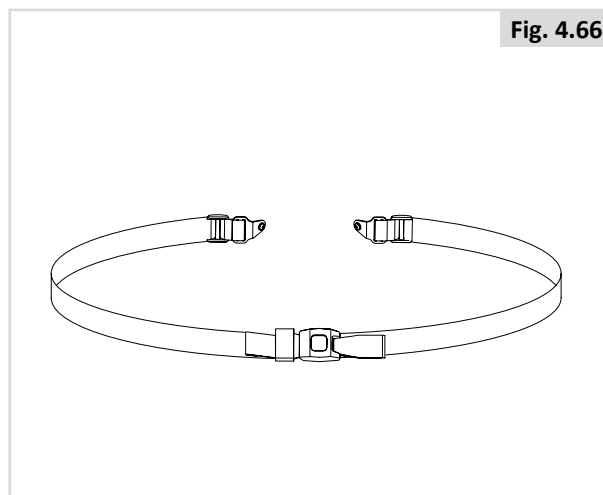


Fig. 4.67

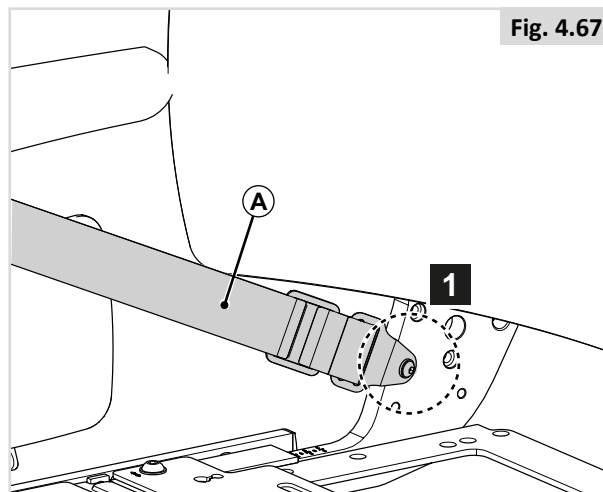


Fig. 4.68

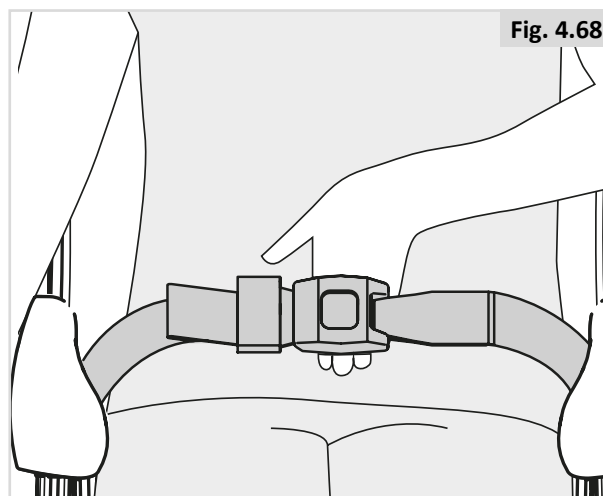
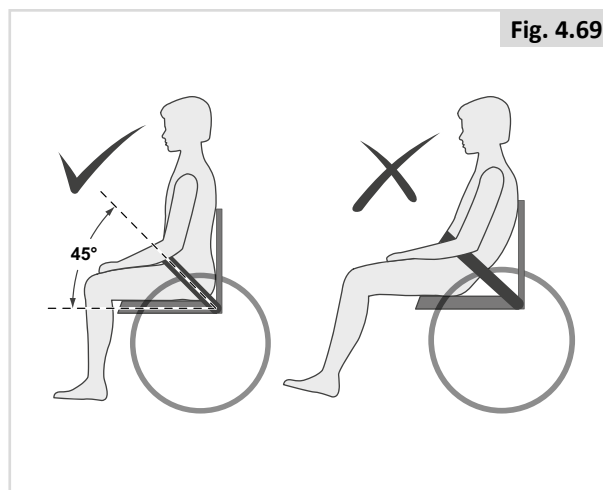


Fig. 4.69




5.0 Gebruik van het zitsysteem

5.1 Verplaatsing in en uit de rolstoel (Overplaatsen)

Sunrise Medical adviseert dat u samen met uw arts of therapeut de voor u meest geschikte in- en uitstaptechniek (voorwaarts of zijwaarts) ontwikkelt om persoonlijk letsel te vermijden.

GEVAAR/WAARSCHUWING!

Om een val te voorkomen:

- Controleer of de stuurkast uitgeschakeld is tijdens transport om onbedoelde bewegingen te voorkomen. Als u dit niet doet en onverhoopt de joystick aanraakt, kan dit tot gevolg hebben dat uw rolstoel beweegt wanneer u dit niet verwacht.
- Controleer of de vrijloopschakelaar op 'Rijden' is ingesteld  Algemene handleiding.
- Draai de voorste zwenkwielen zodat ze naar voren gericht staan.
- Werk samen met uw medische zorgverlener om alle veilige methodes voor overplaatsing te leren kennen.
- Controleer of de motorremmen geactiveerd zijn. Dit voorkomt dat het systeem beweegt wanneer u bezig bent met een overplaatsing.
- Het kan gevaarlijk zijn om zelf in- en uit de rolstoel te stappen. Hiervoor is een goede balans en handigheid vereist. Wees erop bedacht dat er tijdens iedere overplaatsing een moment komt dat u het zitsysteem niet onder u hebt.
- Leer hoe u uw lichaam moet positioneren en hoe u uzelf kunt ondersteunen tijdens het in- en uitstappen.
- Laat iemand u helpen totdat u er zeker van bent dat u uzelf veilig kunt overplaatsen.
- Ga niet op de voetsteun staan. Wanneer u uw volle gewicht op de voetsteun plaatst, kan dit tot schade aan de rolstoel en gevaarlijke situaties leiden, zoals het kantelen van de rolstoel.
- moet u ervoor zorgen dat uw voeten niet 'blijven hangen' of geklemd raken in de ruimte tussen de voetsteunen; en

5.2 Voorbereiding voor een voorwaartse overplaatsing

GEVAAR/WAARSCHUWING!

Rij uw rolstoel zo dicht mogelijk naar de stoel toe waarop u wilt gaan zitten.

Wegzwenkbare beensteunen (fig. 5.1)

1. Vouw de voetsteunen naar boven (A)
2. Duw de kuitplaten (B) naar de zijkant (indien van toepassing)
3. Duw, indien mogelijk, (C) naar de achterkant en duw beensteunen (D) naar de zijkant

Mechanische centrale beensteun (Fig. 5.2)

1. Doe (A) omhoog.

Elektrisch centrale beensteun (fig. 5.3)

1. Doe (A) omhoog 2x.

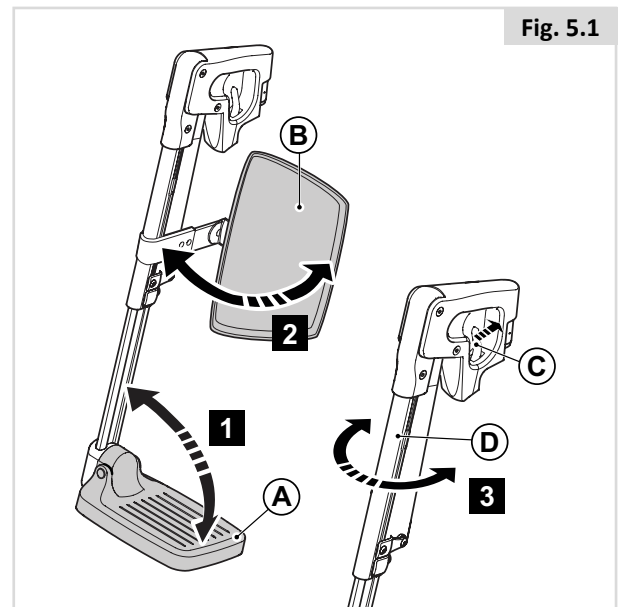


Fig. 5.1

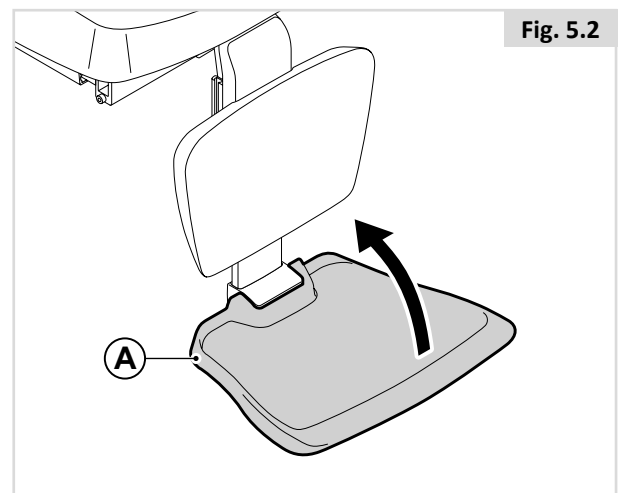


Fig. 5.2

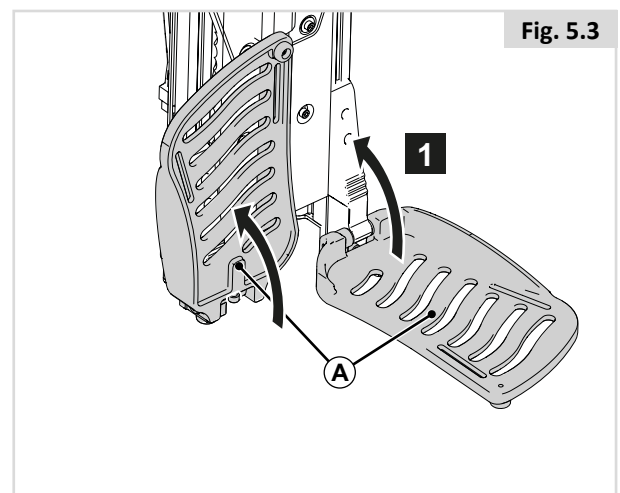


Fig. 5.3

5.3 Voorbereiding voor een zijwaartse transfer

GEVAAR/WAARSCHUWING!

- Zet uw rolstoel zo dicht mogelijk bij de stoel waarop u wilt gaan zitten. Gebruik, indien mogelijk, een transferplank.
- Ga zover als u kunt naar de achterkant van het zitgedeelte. Dit verlaagt het risico dat u naast de stoel gaat zitten of valt.

OPMERKING/OPGELET!

- Sommige versies van de bediening moeten opzij worden geduwd.
- Verwijder het werkblad voordat de armsteun naar achteren worden geplaatst.
- Leun niet op de armsteun terwijl deze naar achteren is geplaatst.

Naar achteren wegklapbare armsteun (fig. 5.4)

1. Druk op (A).
2. Vouw (B) naar de achterzijde

Uitneembare armsteun (fig. 5.5).

1. Duw (A) naar beneden.
2. Verwijder (B).

Opklapbare, meebewegende armsteun (fig. 5.6)

1. Duw (A) naar de achterzijde.

SEDEO Lite uitneembare armsteun (fig. 5.7)

1. Draai (A) los
2. Verwijder (B)

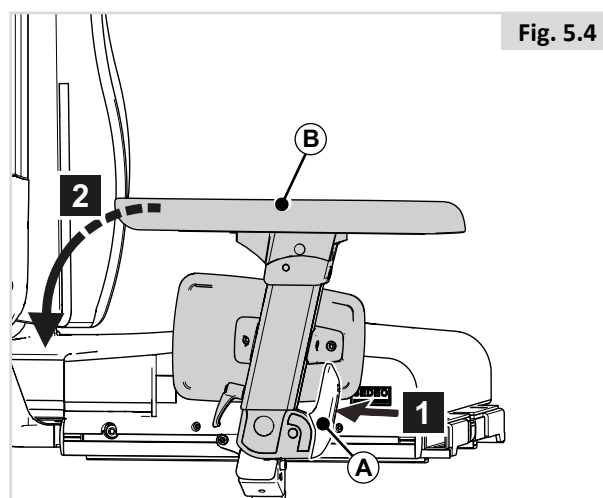


Fig. 5.4

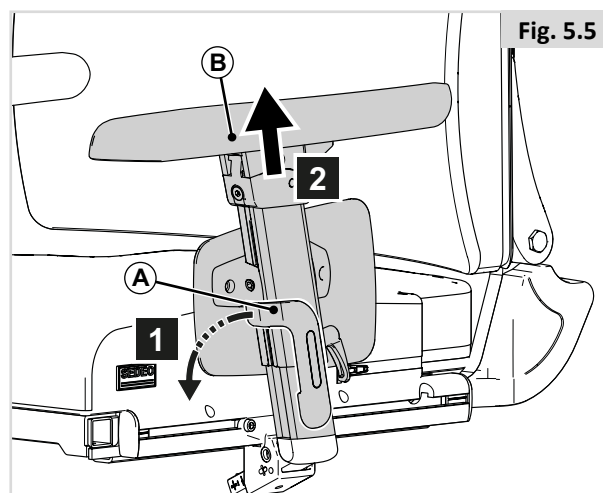


Fig. 5.5

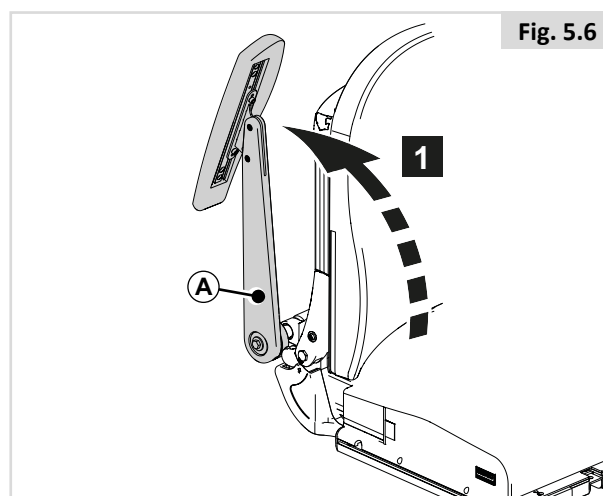


Fig. 5.6

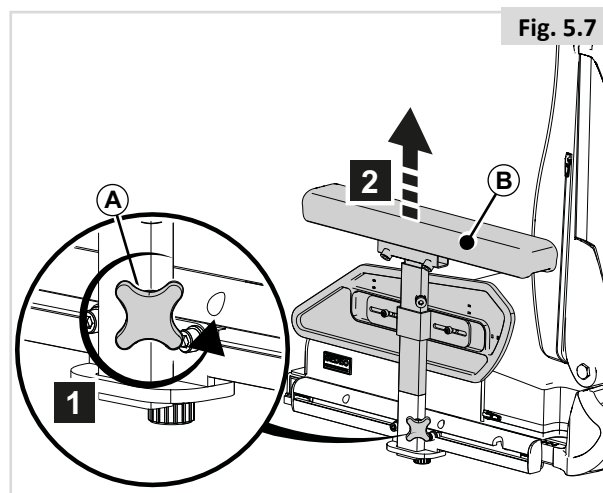
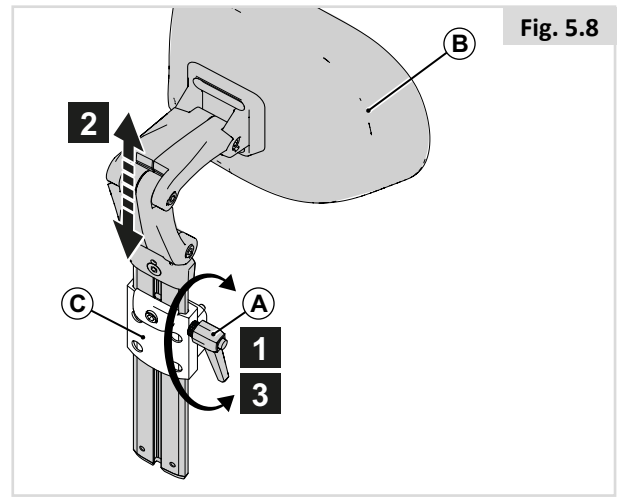


Fig. 5.7

5.4 Hoofdsteun

Verwijderen/positioneren van de hoofdsteun (fig. 5.8)

1. Til (A) op.
2. Schuif (B) uit of in (C).
3. Duw (A) naar beneden.

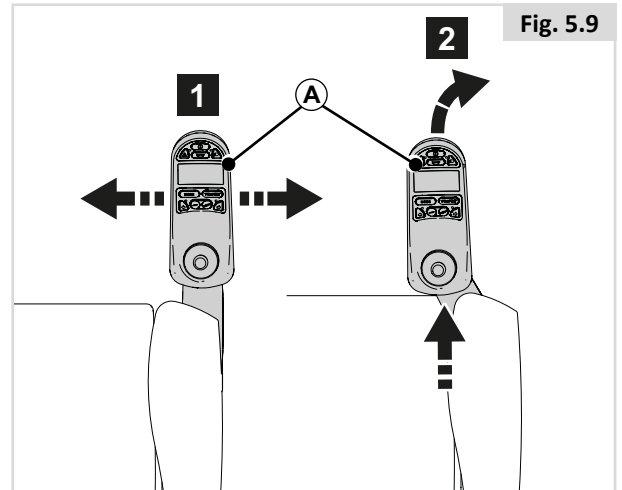


5.5 Wegzwenkbare beugel voor stuurkast

De joystick is bevestigd met een mechanisme waardoor de joystick in twee voorwaartse posities kan worden vergrendeld. (Fig. 5.9)

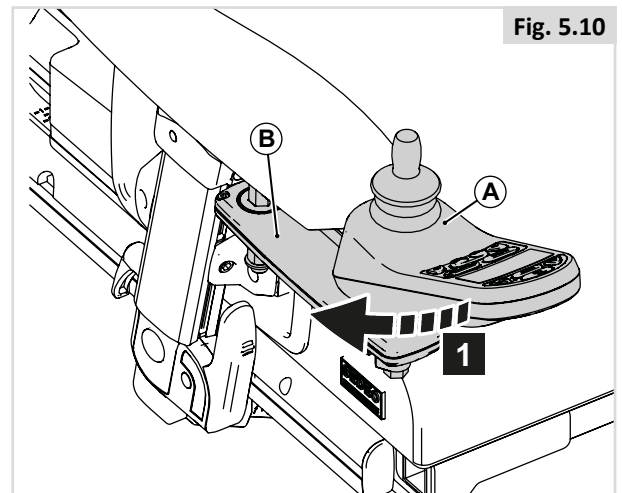
Stuurkast wegzwenken (fig. 5.10).

1. Duw (A) naar binnen of naar buiten.
2. Om de joystick in de voorwaartse positie terug te zetten, duwt u tegen de achterzijde van de joystick zodat hij naar voren gaat en op zijn plaats vergrendelt (u hoort een klik).



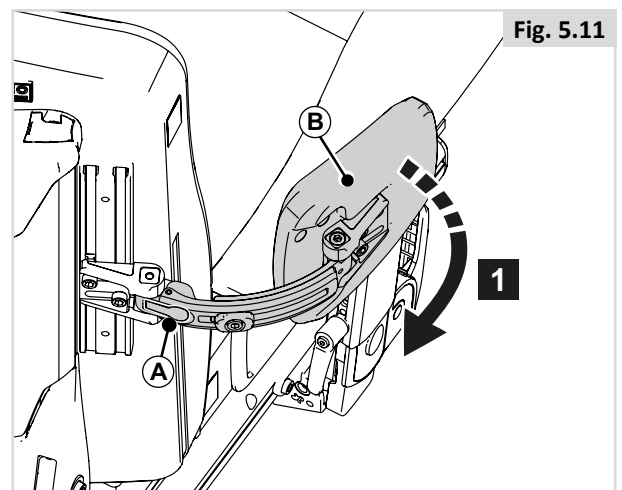
OPMERKING/OPGELET!

Door de beugel van de stuurkast naar buiten te duwen kunt u de rolstoel dicht naar een tafel toe rijden. U kunt volledig gebruik blijven maken van de bediening.



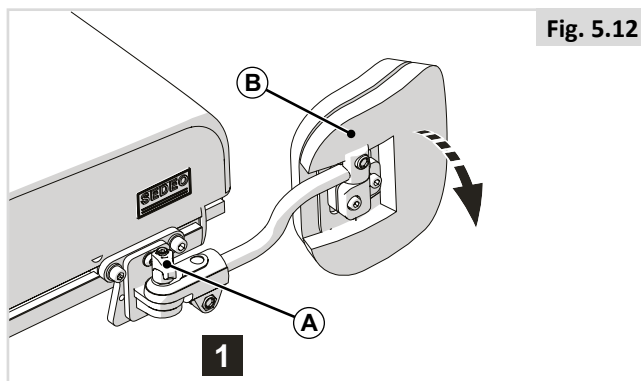
5.6 Rompelotten (fig. 5.11)

1. Druk op A om B weg te duwen



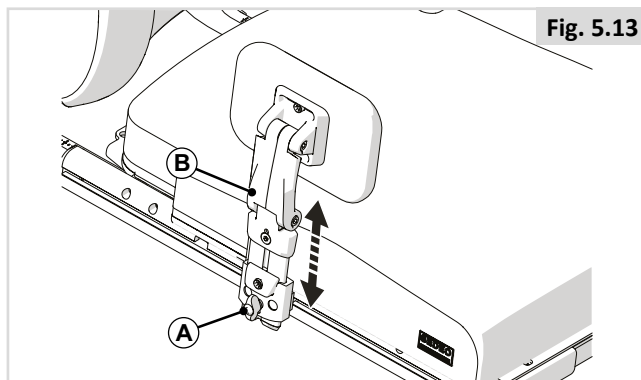
5.7 Kniesteun (fig. 5.12)

1. Maak A los om B weg te zwenken



5.8 Dijbeensteun (fig. 5.13)

1. Draai (A) met één slag los.
2. Verwijder (B).

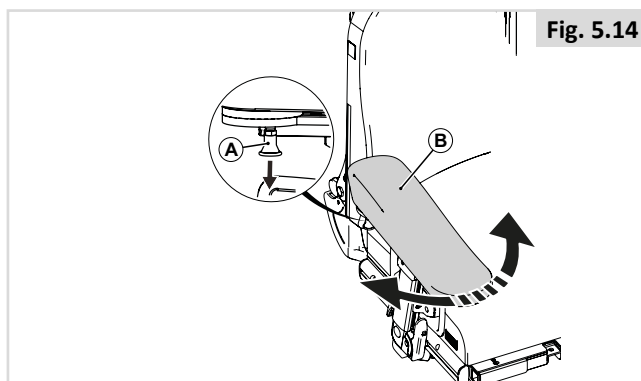


5.9 Hemiplegie armlegger (fig. 5.14)

1. Trek (A) uit de vergrendelde positie en draai (B) in de gewenste positie.

! OPMERKING/OPGELET!

Controleer of (B) goed vast zit!



5.10 Hoogte duwhandvat (fig. 5.15)

1. Draai (A) met één slag los.
2. Schuif (B) in de gewenste positie.
3. Draai vast (A).

! GEVAAR/WAARSCHUWING!

Gebruik de duwhandvatten niet om de rolstoel helemaal op de achterwielen te kantelen (bijvoorbeeld om de stoep op te gaan). De duwstang is niet geschikt voor dergelijk gebruik.

5.11 Abductieklos (fig. 5.16)

Neerklappen abductieklos

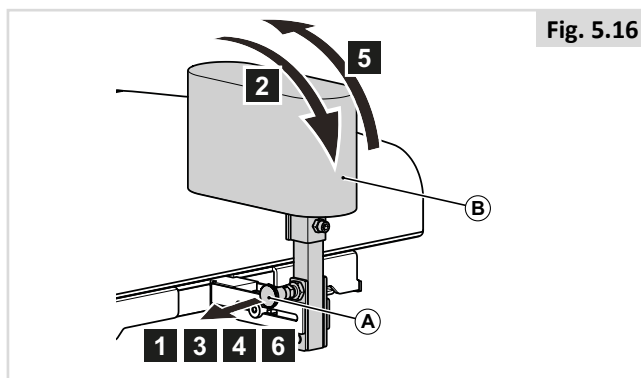
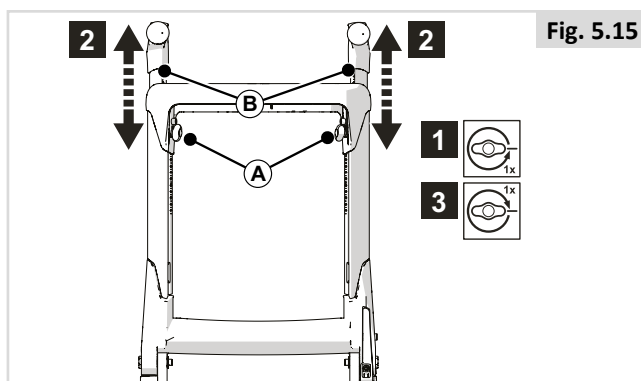
1. Trek (A) uit de vergrendelde positie.
2. Breng (B) naar beneden
3. Laat (A) los.

Terugklappen abductieklos

1. Trek (A) uit de vergrendelde positie.
2. Breng (B) omhoog.
3. Laat (A) los in de vergrendelde positie.

! OPMERKING/OPGELET!

Controleer of (B) goed vast zit!



6.0 Mechanische en elektrische verstellopties

6.1 Mechanise verstellopties

Mechanische gasveer rughoekverstelling (voor gebruiker) (fig. 6.1)

1. Knijp in (A).
2. Leun naar voren of naar achteren om (B) in de gewenste positie te verstellen.

OPMERKING/OPGELET!

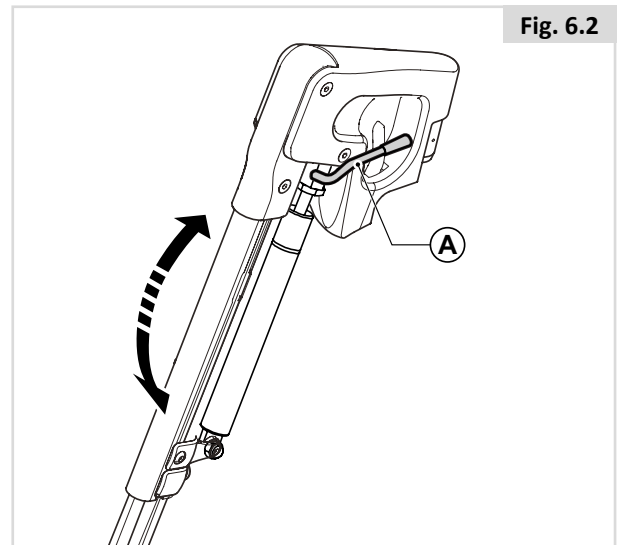
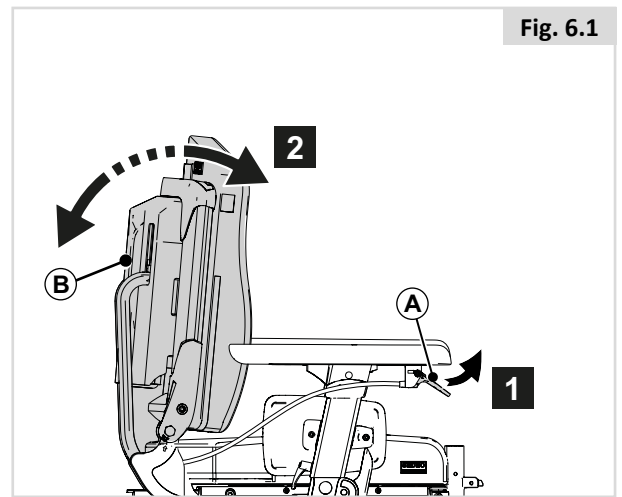
Blijf in (A) knijpen.

3. Laat (A) los.

Mechanisch verstelbare beensteunen (fig. 6.2)

De hoeken van de comfort beensteunen kunnen onafhankelijk van elkaar worden aangepast.


1. Duw hendel (A) naar voren.
2. Til uw been op.
3. Laat de hendel los wanneer de gewenste positie is bereikt.



6.2 (Elektrische) verstelsopties

De rolstoel kan met de volgende elektrisch aangedreven opties worden uitgerust om de zitpositie aan te passen. Deze verstellingen kunnen door de gebruiker zonder gereedschap gebruikt worden.

Elektrische verstelsopties (fig. 6.3 - fig. 6.5)

Hoe deze elektrisch aangedreven zitopties bediend worden, staat in  BEDIENING:

1. Elektrische kantelverstelling
2. Elektrische hoog/laagverstelling
3. Elektrische rughoekverstelling
4. Elektrisch aangedreven comfort beensteunen

GEVAAR/WAARSCHUWING!

- Het gebruik van de elektrische verstellingen kan de stabiliteit van de rolstoel beïnvloeden.
- Gebruik elektrische verstellingen alleen op vlakke ondergrond. Probeer nooit de elektrische verstellingen te gebruiken als de rolstoel op een helling staat.
- Vermijd contact met de actuatoren wanneer het component in beweging is. De elektrische verstellingen hebben een groot bereik. Gebruikers moeten zich bewust zijn van hun omgeving wanneer de onderdelen bewegen.
- Rij voorzichtig met dit zitsysteem wanneer deze in een achterwaarts gekantelde, verhoogde of gekantelde positie staat.
- Probeer nooit de elektrische verstellingen te gebruiken terwijl het zitsysteem in beweging is.
- Probeer nooit de elektrische hoog/laag en of kantelverstelling te gebruiken als er kinderen in de buurt zijn.
- Via de programmering kunnen alle elektrische verstellingen in omgekeerde richting worden uitgevoerd. Controleer in welke richting uw zitting zich zal bewegen voordat u de functie activeert.
- Houd er rekening mee dat de hoog/laag en kantelverstelling een gevaar op beklemming kan geven. Let goed op wanneer de hoog/laag en kantelverstelling worden gebruikt, zodat er geen handen of voeten, kleding of sieraden beklemd raken; dit kan tot letsel leiden.
- Rij niet met de zitting in verhoogde positie over rijplaten of hellingen. Voordat u probeert een helling op of af te gaan, dient u de rolstoel in de basispositie terug te brengen, met de rugleuning rechtop.

Het elektrische systeem is zodanig ontworpen dat de maximale rijnsnelheid automatisch wordt verlaagd naar kruipmodus wanneer bepaalde grenzen van de elektrische verstellingen zijn bereikt. Afhankelijk van de instellingen van de rolstoel kunnen er verschillende kruipsnelheden zijn.

Fig. 6.3

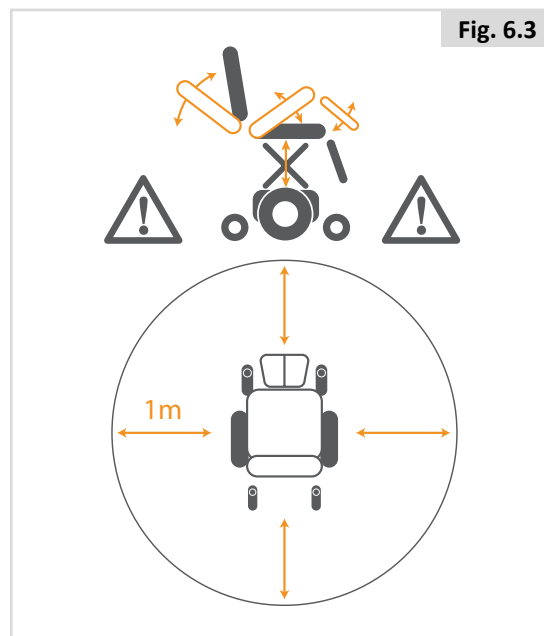
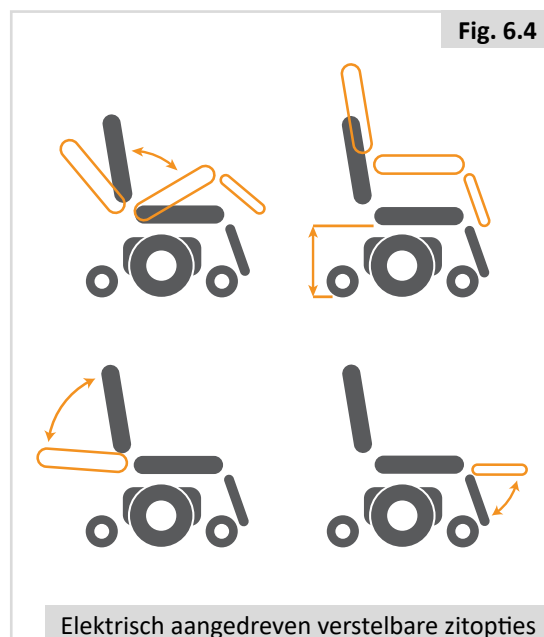
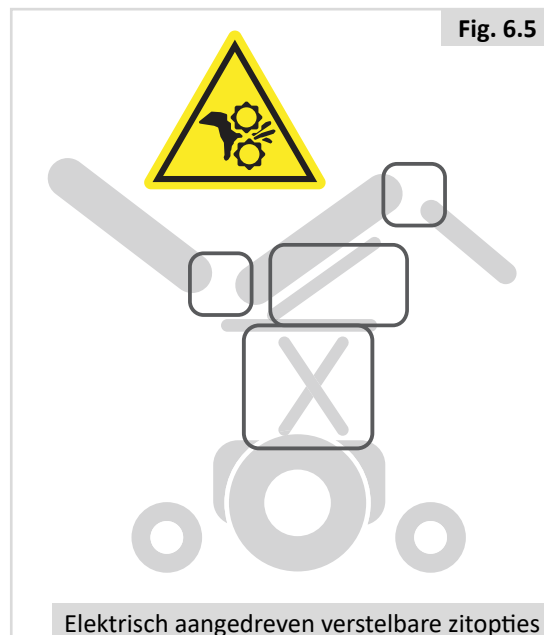


Fig. 6.4



Elektrisch aangedreven verstelbare zitopties

Fig. 6.5



Elektrisch aangedreven verstelbare zitopties

7.0 Het zitsysteem kleiner maken in verband met transport

GEVAAR/WAARSCHUWING!

De rolstoel kan kleiner worden gemaakt voor transport zonder passagier. Alle onderdelen van het zitsysteem die gemakkelijk los gemaakt kunnen worden, moeten worden verwijderd. Berg deze onderdelen veilig op, zodat ze geen letsel of schade kunnen veroorzaken, of zelf beschadigd raken.

7.1 Zitkussen

Verwijderen van het zitkussen (fig. 7.1)

1. Trek (A) omhoog.

Terugplaatsen van het zitkussen (fig. 7.2)

1. Plaats (A) met de gaten boven de bouten

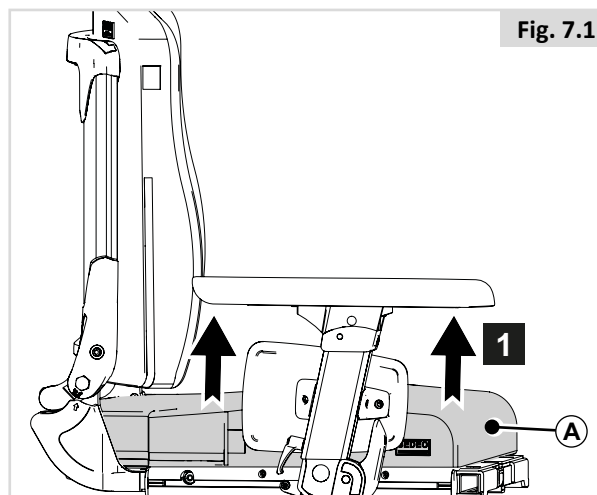


Fig. 7.1

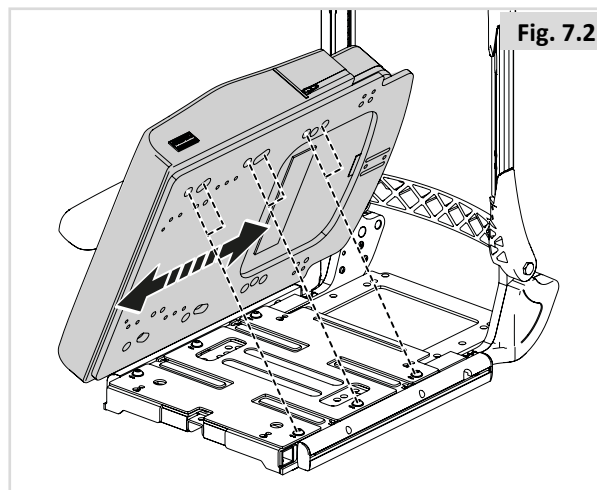


Fig. 7.2

7.2 Verwijderen van het rugkussen (fig. 7.3)

1. Draai (A) en (B) los.
2. Trek vanaf de onderkant (C) naar voren en omhoog, en verwijder.

Terugplaatsen van het rugkussen (fig. 7.3.1)

1. Haak (A) achter (B).
2. Draai (C).

OPGELET!

Zorg ervoor dat de rugleuning goed in positie staat (handvatten omhoog gericht).

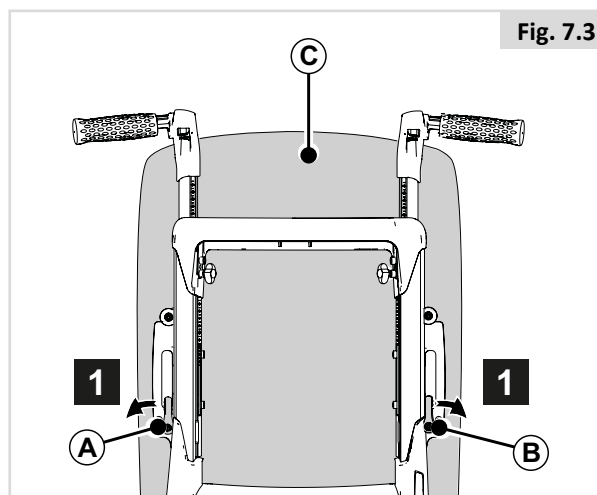


Fig. 7.3

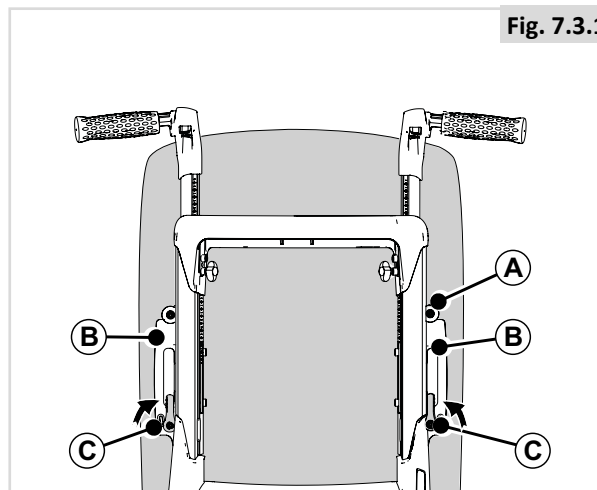


Fig. 7.3.1

7.3 Neerklappen van de rugleuning met quick release (fig. 7.4)

De rugleuning volledig voorwaarts vouwen

1. Draai (A) los.
2. Vouw (B) volledig voorwaarts.

! OPMERKING/OPGELET!

Verwijder, indien nodig, eerst het rugkussen en/of de arMLEUNINGEN.

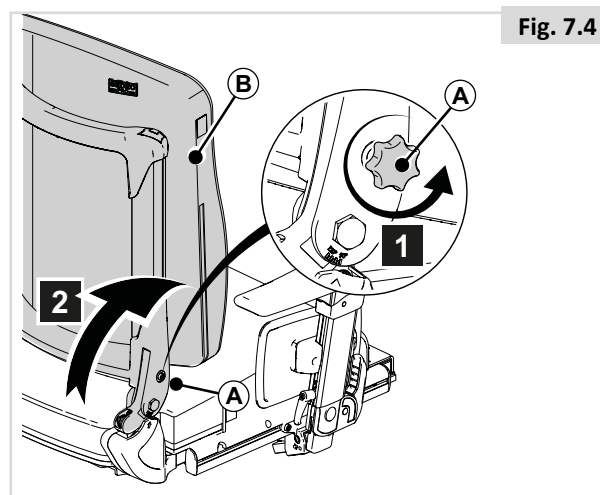


Fig. 7.4

7.4 Neerklappen rugleuning met opklapbare, meebewegende armsteunen (fig. 7.5)

De rugleuning volledig voorwaarts vouwen

1. Verwijder (A)
2. Vouw (B) naar de achterzijde.
3. Draai (C) los
4. Vouw (C) volledig naar voren.

! OPMERKING/OPGELET!

Verwijder, indien nodig, eerst het rugkussen.

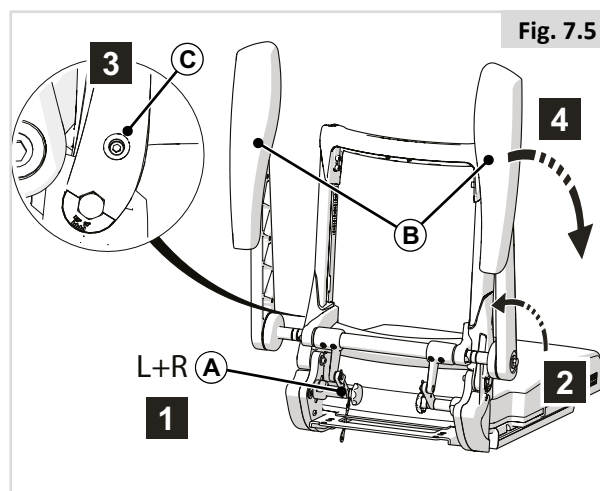


Fig. 7.5

7.5 Neerklappen elektrisch verstelbare rugleuning met opklapbare meebewegende armsteunen (fig. 7.6)

De rugleuning volledig voorwaarts vouwen

1. Verwijder (A)
2. Vouw (B) naar de achterzijde.
3. Vouw (C) volledig naar voren.

! OPMERKING/OPGELET!

Verwijder, indien nodig, eerst het rugkussen.

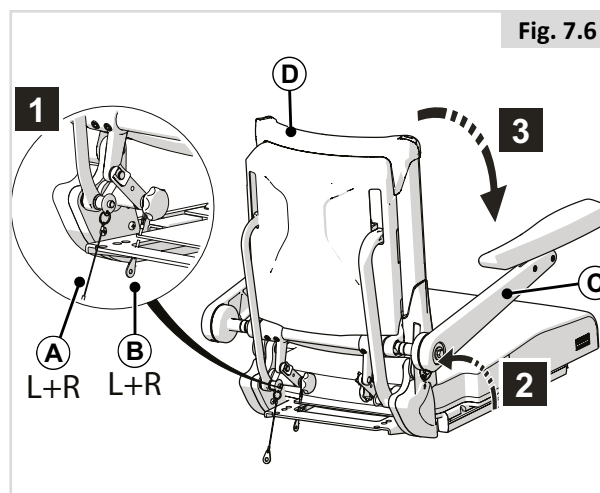


Fig. 7.6

7.6 Wegzwenkbare beensteunen (fig. 7.7)

Verwijderen van een wegzwenkbare beensteun

1. Maak de kuitband los.
2. Duw de pal (A) naar achteren om de beensteun te ontgrendelen.
3. Klap de beensteun naar buiten.
4. Verwijder de beensteun (B) vanuit zijn beugel door hem op te tillen.

U moet een klik horen wanneer u de beensteun terug plaatst. Dit geeft aan dat de beensteun op zijn plaats is vergrendeld.

Let op uw vingers (Fig. 7.8)



⚠ Waarschuwing!

Draag, wanneer de handmatig compenserende, wegklapbare beensteun wordt verwijderd, deze aan het handvat (A) dat is bedoeld om de beensteun te dragen/te verwijderen.

Wanneer de beensteun wordt gedragen aan B en tegelijkertijd hendel C wordt ontgrendeld, is er een risico dat vingers beklemd raken.

7.7 Uitneembare armsteunen

Verwijderen van de armsteun (fig. 7.9)

1. Duw (A) naar beneden.
2. Verwijder (B).

Terugplaatsen van de armsteun (fig. 7.10)

1. Schuif (A) op (B).
2. Duw (C) omhoog.

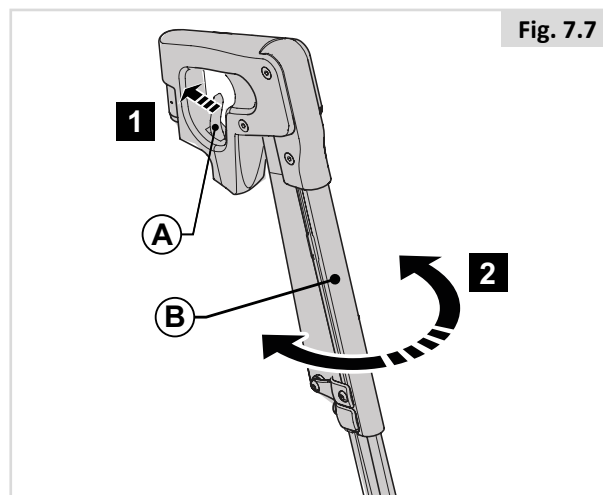


Fig. 7.7

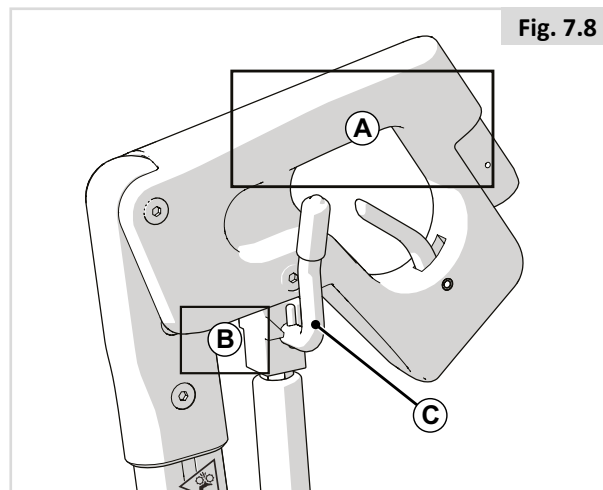


Fig. 7.8

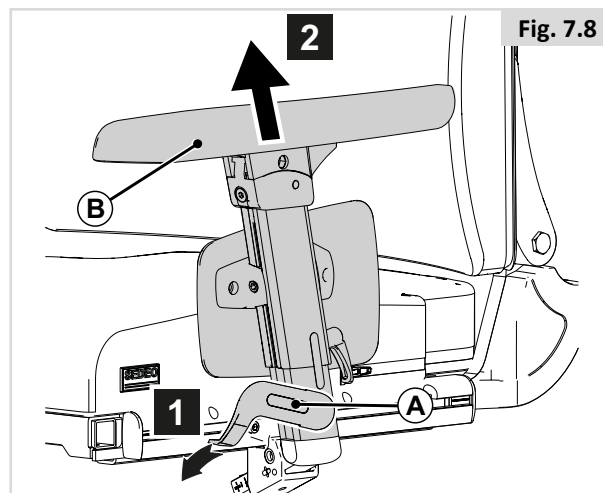


Fig. 7.8

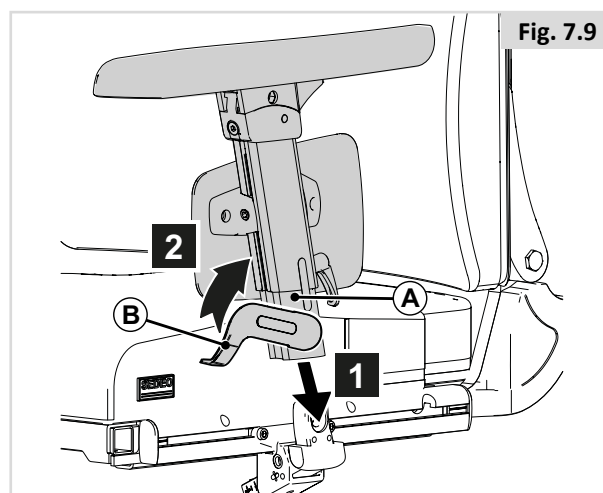


Fig. 7.9

8.0 Onderhoud en reiniging

8.1 Algemeen onderhoud

- Alle bevestigingen maandelijks te controleren op slijtage, zoals losse bouten of kapotte onderdelen.
- Losse bevestigingen moeten opnieuw volgens de installatie-instructies worden vastgedraaid.

Zie de onderstaande tabel voor de juiste torques

Matrix bevestigingen	Vereiste draaikracht (torque) (Nm)
M6 Bout/Schroef	9 - 10

NB: hierbij is een momentsleutel nodig.

- Controleer maandelijks alle banden op rafels, gescheurde naden of andere aanwijzingen van overmatige slijtage. Gebruik de borstgordel niet indien slijtage wordt geconstateerd.
- Borstgordels dienen te worden vervangen bij de eerste slijtageverschijnselen en bij beschadiging.
- Wanneer er een los of kapot onderdeel wordt aangetroffen, gebruik de rolstoel dan niet langer en neem contact op met uw erkende Sunrise Medical leverancier voor vervanging.
- Controleer of alle Velcro klittenbandbeveiligingen goed vastgeplakt zitten nadat ze op elkaar zijn gedrukt.
- Zorg ervoor dat vuil, zoals pluizen, haar en dergelijke van het klittenband wordt verwijderd. Hierdoor kan de plakkracht van het klittenband afnemen.

8.2 Reinigen van uw zitsysteem

De rolstoel moet één maal per week met een vochtige, maar niet natte, doek worden afgenomen. Stof en vuil dat zich rond de actuatoren heeft verzameld, moet worden weggeblazen of weggeveegd.

OPMERKING/OPGELET!

Zorg ervoor dat u alle onderdelen van uw rolstoel afdroogt als deze nat of vochtig zijn geworden door het schoonmaken, of wanneer de rolstoel is gebruikt in een natte of vochtige atmosfeer.

GEVAAR/WAARSCHUWING!

Als de rolstoel door meerdere personen wordt gebruikt, is het belangrijk dat de stoel grondig wordt gereinigd om kruisbesmetting te voorkomen.

8.2.2 Reiniging en controle van de zitting

GEVAAR/WAARSCHUWING!

Scheuren, deuken, slijtage of slap geworden bekleding, vooral wanneer dit dicht bij metaal zit, kan leiden tot een slechte houding, verminderd comfort en verminderde drukverlichting.

Reinigingsvoorschriften voor de zitting:

Als er aan de binnenzijde van de kussenhoes een wasetiket aanwezig is, kunt u de hoes wassen. Volg de instructies op het wasetiket. Neem voor het wassen de schuim inlegdelen eruit en sluit het klittenband.

WAARSCHUWING!

Gebruik geen organische oplosmiddelen, zoals thinner, benzine of terpentijn.

Reinig de bekleding niet door middel van chemische reiniging. Strijk de bekleding niet en droog deze niet in een droogmachine.

Reinig geregeld de bekleding die niet verwijderd kan worden. Zo voorkomt u dat vuil zich ophoopt. Reinig de bekleding met een vochtige doek met schoonmaakmiddel. Ook mag een desinfecterend middel worden gebruikt, verdund volgens de aanwijzingen van de fabrikant. Zorg ervoor dat alle oppervlaktes met schoon water worden afgenomen en grondig worden gedroogd.

8.3 Hygiënemaatregelen bij hergebruik:

Voordat de rolstoel door een nieuwe gebruiker in gebruik genomen wordt, moet de stoel zorgvuldig worden voorbereid. Alle oppervlaktes waarmee de gebruiker in aanraking komt, moeten behandeld worden met een desinfecterende spray.

Gebruik voor het reinigen een geschikt desinfectiemiddel voor snelle, op alcohol gebaseerde ontsmetting van medische producten en medische hulpmiddelen.

Houd u aan de gebruiksaanwijzing van de fabrikant van het desinfecterende middel.

OPMERKING/OPGELET!

- Gebruik geen oplosmiddelen, bleekmiddelen, schuurmiddelen, synthetische wasmiddelen, waspoetsmiddel of spuitbussen.
- Ontsmettingsmiddelen kunnen verdund worden volgens instructie van de fabrikant.
- Spoel de oppervlaktes daarna goed af met schoon water en droog ze zorgvuldig.

8.4 Algemene reinigingsinstructies:

OPMERKING/OPGELET!

- Vlekken op uw zitting kunt het beste zo snel mogelijk verwijderen.
- Na een lange periode van gebruik, kunt u de hoes van uw zitting het beste reinigen met een gewoon commercieel droogschuim reinigingsmiddel.
- Door de hele oppervlakte te reinigen en niet alleen de vlekken, voorkomt u dat de hoes er vlekkerig gaat uitzien. Hoe langer u wacht, hoe moeilijker het is om de vlekken te verwijderen.
- Voorkom hard schrobben met waterige oplossingen. Hierdoor wordt de stof ruw.
- Vlekken (zoals bier, bloed, cola, rode wijn, etc.) kunnen het beste worden gereinigd met droogschuim of met een mild reinigingsmiddel.
- Volg de onderstaande instructies op wanneer u de hoes van de rolstoel behandelt:
- De hoes moet minstens 48 uur drogen nadat deze is gereinigd met schuim reinigingsmiddelen.
- Vetvlekken (zoals ballpointinkt, lippenstift, kauwgum, etc.) Gebruik een geschikte vlekkenverwijderaar. Wrijf voorzichtig over de plek waar is gemorst met een doekje waarop u vlekkenverwijderaar heeft gedaan.
- Gebruik slechts een kleine hoeveelheid vlekkenverwijderaar.
- Probeer het eerst op een onopvallende plaats uit.
- De bekleding mag niet te nat worden, want de vlekkenverwijderaar kan de stof beschadigen.
- Vermijd te hard wrijven op delen waar tekens (bijvoorbeeld de pijlen op het zitframe) op het frame zijn gezeefdrukt.
- Reinig uw rolstoel nooit met een tuinslang of hogedrukreiniger.

GEVAAR/WAARSCHUWING!

- Lees altijd eerst het etiket van professionele reinigingsmiddelen of schoonmaakmiddelen voor huishoudelijk gebruik.
- Volg de gebruiksaanwijzing nauwkeurig op.

8.5 Reiniging van accessoires:

- Alle onderdelen/accessoires zoals wegzwenkbare werktafels moeten worden gereinigd met een vochtige doek.
- Alle laterale steunmiddelen, hoofdsteunen, armsteunen, zijbescherming, beenkussens, heupgordels en kniesteunen moeten worden gereinigd met een vochtige doek.

8.6 Reinigen van het bedieningssysteem:

Wanneer het bedieningssysteem van uw rolstoel vuil is geworden, kan het worden schoongemaakt met een vochtige doek met daarop een verdund desinfecterend middel.

GEVAAR/WAARSCHUWING!

- Dit is belangrijk wanneer de rolstoel door meer dan één persoon wordt gebruikt, om kruisbesmetting te voorkomen.
- Zorg ervoor dat touch-schakelbord, joysticks (alle varianten) hoofdsteunen en alle schakelaars (alle varianten) schoongemaakt worden met een mild ontsmettingsmiddel om alle besmettingsmogelijkheden uit te sluiten. Blaas & zuig-bediening inclusief mondstuk en tube regelmatig schoonmaken, na deze verwijderd te hebben van rolstoel, zodat hygiëne en functionaliteit worden behouden.
- Zet de bediening uit voordat u met schoonmaken begint.

8.7 Opslag

Om de bekleding en andere delen van de rolstoel in goede conditie te houden, kunt u de rolstoel het beste opbergen in een droge omgeving met een temperatuur die kamertemperatuur benadert.

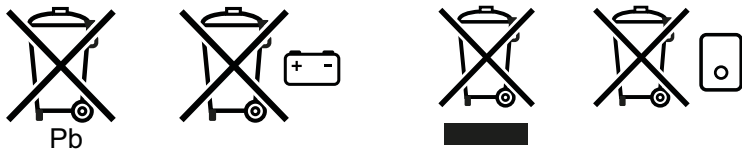
GEVAAR/WAARSCHUWING!

- Berg uw rolstoel zodanig op dat hij niet wordt blootgesteld aan direct zonlicht of vocht. Zet uw rolstoel niet buiten.
- Door direct zonlicht kunnen bekleding en plastic onderdelen verkleuren en worden metalen onderdelen erg heet.

9.0 Verwijdering

Het hieronder vermelde symbool betekent dat uw product aan het einde van zijn levensduur in overeenstemming met lokale wet- en regelgeving afgevoerd dient te worden, gescheiden van huishoudelijk afval. Wanneer dit product niet langer gebruikt kan worden, breng het dan naar het door de plaatselijke overheid aangewezen plaatselijke afvalverzamelpunt. Gescheiden afvalverwerking en recycling van uw product ondersteunt het behoud van grondstoffen en er wordt gegarandeerd dat het op een milieuvriendelijke wijze wordt gerecycled.

Controleer, voordat u in overeenstemming met bovenstaande uw product voor afvalverwerking aanbiedt, of u de rechtmatige eigenaar bent van het product.



Hieronder staan de materialen omschreven zoals deze worden gebruikt in de rolstoel, met betrekking tot de verwerking tot afval en recycling van de rolstoel en zijn verpakking.

Mogelijk kent uw land of woonplaats specifieke wetgeving; neem deze wet- of regelgeving in overweging, wanneer u de rolstoel naar de afvalverwerking wilt brengen. (Mogelijk moet de rolstoel gereinigd of gedesinfecteerd worden alvorens deze naar de afvalverwerking wordt gebracht.)

Aluminium: Zwenkwielvork, wielen, zijkant van het chassis.

Staal: Bevestigingspunten, quick release assen

Plastic: Hendels, buisstoppen, zwenkwielen, wiel/banden.


Verpakking: Plastic zakken gemaakt van zacht polyethyleen, karton

Afvalverwerking of recycling dient plaats te vinden via een erkende agent, afvalverwerking met vergunningen. Als alternatief kunt u uw handbike ook terugbrengen naar uw dealer voor verdere afvalverwerking.



10.0 Technische specificaties:

10.1 Toepasselijke normen/standaarden

 Dit product voldoet aan de regelgeving en richtlijnen voor medische hulpmiddelen en is voorzien van een CE-symbool.

Het product voldoet aan de onderstaande eisen en standaarden. Deze zijn door onafhankelijke instituties gecontroleerd.

EU Richtlijn 2017/745 EEG	Toepasselijk zoals vermeld in tabel 1
EN 12182 (2012) Klasse B	De vereisten volgens EN12182 (2014) zoals beschreven in EN 12184 (2014): Ondersteunende producten voor mensen met een handicap - Algemene vereisten en testmethodes”
EN 12184 (2014) Klasse B	Elektrisch aangedreven rolstoelen, scootmobielen en hun opladers - Vereisten en testmethodes.
ISO 7176-8: 2014	Vereisten en testmethodes voor botskrachten, statische krachten, en materiaalmoetheid
ISO 7176-9	Klimaattesten voor elektrisch aangedreven rolstoelen
ISO 7176-14	Vereisten en testmethodes voor bedieningssystemen voor elektrisch aangedreven rolstoelen 1997
ISO 7176-16: 2012	Vereisten voor ontstekingsweerstand van beklede delen
ISO 7176-19 (2008)	Rolstoelen - Deel 19: Mobiliteitshulpmiddelen op wielen voor gebruik als stoelen in gemotoriseerde voertuigen Sedeo Pro voldoet aan de crashtestvereisten zoals omschreven in ISO 7176-19
Dahl-Docking-systeem	
ISO 7176-19 (2008)	Rolstoelen - Deel 19: Mobiliteitshulpmiddelen op wielen voor gebruik als stoelen in gemotoriseerde voertuigen Sedeo Pro voldoet aan de crashtestvereisten zoals omschreven in ISO 7176-19
EN-ISO10993-5: 2009	Biologische evaluatie van medische apparatuur.
EN 1021 1&2	Beoordeling van de ontvlambaarheid van gestoffeerde meubelen. Ontstekingsbron: smeulende sigaret/vlam lucifer of equivalent.

10.2 Technische specificaties: SEDEO Pro zitsysteem

	Waarden metrieke stelsel		Waarden imperiale stelsel & alternatief	
	Minimum	Maximum	Minimum	Maximum
Aanpassing zithoek				
Elektrische kantelverstelling met zwaartepuntverplaatsing optioneel	0° - 30°		-5° - 25°	
Elektrische kantelverstelling met zwaartepuntverplaatsing optioneel	-5° - 25°		0° - 30°	
Elektrische kantelverstelling met zwaartepuntverplaatsing optioneel	0° - 50°		-5° - 45°	
Elektrische kantelverstelling met zwaartepuntverplaatsing optioneel	-5° - 45°			
Effectieve diepte zitsysteem	400 mm	580 mm	15,7"	23,6"
Effectieve zitbreedte	380 mm	560 mm	15"	22"
Hoogte zitting tot bodem Vulmodule (geen elektrische kantelverstelling, geen zitlift)				
pos. 1 60 of 80 Ah Accu's 0° zithoek	415 mm		16,3"	
pos. 2 60 of 80 Ah Accu's 0° zithoek	440 mm		17,3"	
pos. 3 60 of 80 Ah Accu's 0° zithoek	465 mm		18,3"	
pos. 4 60 of 80 Ah Accu's 0° zithoek	490 mm		19,3"	
Elektrische kantelverstelling & hoog/laag (300 mm)				
pos. 1 60 of 80 Ah Accu's 0° zithoek	415 mm	715 mm	16,3"	28,1"
pos. 2 60 of 80 Ah Accu's 0° zithoek	440 mm	740 mm	17,3"	29,1"
pos. 3 60 of 80 Ah Accu's 0° zithoek	465 mm	765 mm	18,3"	30,1"
pos. 4 60 of 80 Ah Accu's 0° zithoek	490 mm	790 mm	19,3"	31,1"
Hoek rugleuning				
Mechanisch instelbare rugleuning	90° - 120°		90° - 120°	
Elektrische kantelverstelling	90° - 130°		90° - 130°	
Elektrische biomechanische rughoekverstelling	90° - 150°		90° - 150°	
Hoogte rugleuning (zitplaat naar bovenzijde van kussen van rugleuning)	530 mm	720 mm	20,9"	28,3"
Wegklapbare armsteun / uitneembare armsteun				
Armleggerhoogte (zitplaat naar bovenzijde van armlegger)	260 mm	380 mm	10,2"	15"
Breedte armleuning (op zitframe)	-20 mm	+20 mm	-0,8"	+0,8"
Breedte armlegger (op profiel armleuning)	-20 mm		-0,8"	
Diepte armleuning (op zitframe met korte zittingrail)	250 mm		10,8"	
Diepte armlegger (op profiel armleuning)	100 mm		3,9"	
Hoek kussen armlegger (verticaal)	0° - 15°		0° - 15°	
Opklapbare, meebewegende armsteun				
Armleggerhoogte (zitplaat naar bovenzijde van armlegger)	250 mm	400 mm	9,8"	15,7"
Breedte armlegger (op profiel armleuning)	-20 mm		-0,8"	
Diepte armlegger (op profiel armleuning)	140 mm		5,5"	
Hoek kussen armlegger (verticaal)	0° - 15°		0° - 15°	
Mechanische centrale beensteun				
Onderbeenlengte (vanaf zitplaat)	305 mm	460 mm	12"	18,1"
Kniehoek	70° - 120°		70° - 120°	
Enkelhoek	+20° - -40°		+20° - -40°	
Elektrische centrale beensteun				
Onderbeenlengte (vanaf zitplaat)	360 mm	540 mm	14,2"	21,2"
Kniehoek	90° - 180°		90° - 180°	
Max lengtecompensatie	260 mm		10,2"	
Enkelhoek	+35° - -15°		+35° - -15°	
Wegzwenkbare beensteunen				
Onderbeenlengte (vanaf zitplaat)	350 mm	510 mm	13,8"	20,1"
Kniehoek	70°		70°	
Enkelhoek	0° - 180°		0° - 180°	

	Waarden metrieke stelsel		Waarden imperiale stelsel & alternatief	
	Minimum	Maximum	Minimum	Maximum
Mechanische en elektrische wegzwenkbare beensteunen				
Onderbeenlengte (vanaf zitplaat)	350 mm	510 mm	13,8"	20,1"
Kniehoek	0° - 70°		0° - 70°	
Enkelhoek	0° - 180°		0° - 180°	
SEDEO hoofdsteunmontage				
Bereik hoofdsteunhoogte	170 mm		6,7"	
Bereik hoofdsteundiepte	200 mm		7,9"	
Hoek hoofdsteun (verticaal)	-45° - +45°		-45° - +45°	
Breedte hoofdsteun	-20 mm	20 mm	-0,8"	+0,8"
Romppelotten				
Bereik breedte romppelotten	90 mm		3,5"	
Bereik hoogte romppelotten	170 mm		6,7"	
Bereik diepte romppelotten	45 mm		1,8"	
Abductieklos				
Hoogte abductieklos (van zitplaat naar bovenzijde van kussen)	170 mm	250 mm	6,7"	9,8"
Bereik diepte abductieklos	65 mm		2,5"	
Bereik hoogte duwstang	140 mm		5,5"	

11.0 Garantie

DEZE GARANTIE DOET OP GEEN ENKELE WIJZE AFBREUK AAN UW RECHTEN.

Sunrise Medical* biedt haar klanten een garantie op rolstoelen, zoals bepaald in de garantievoorwaarden die het onderstaande dekken.

Garantievoorwaarden:

1. Indien een onderdeel of onderdelen van de rolstoel binnen 24 maanden gerepareerd of vervangen moet(en) worden als gevolg van een fabricagefout en/of gebrek in het materiaal, of voor het frame en vouwframe binnen 5 jaar na levering aan de klant, wordt het betreffende onderdeel of de betreffende onderdelen kosteloos gerepareerd of vervangen. De garantie geldt slechts voor fabricagefouten.
2. Om de garantie ten uitvoer te brengen, kunt u contact opnemen met de klantenservice van Sunrise Medical met de exacte gegevens over het probleem.
Indien u de rolstoel gebruikt buiten het gebied dat wordt gedekt door de klantenservice van Sunrise Medical, wordt de reparatie of vervanging uitgevoerd door een ander servicepunt welke door de fabrikant wordt aangewezen. De rolstoel moet worden gerepareerd door een door Sunrise Medical aangewezen servicepunt (dealer).
3. Voor onderdelen die binnen het bereik van deze garantiebepalingen zijn gerepareerd of vervangen, bieden we een garantie in overeenstemming met deze garantievoorwaarden voor de resterende garantieperiode voor de rolstoel in overeenstemming met punt 1.
4. Voor originele reserveonderdelen die op kosten van de klant zijn gemonteerd, geldt een garantieperiode van 12 maanden (na montage) in overeenstemming met deze garantiebepalingen.
5. Vorderingen op basis van deze garantie kunnen niet worden gedaan indien een reparatie of vervanging van een rolstoel of een onderdeel daarvan noodzakelijk is vanwege de onderstaande redenen:
 - a. Voor normale slijtage, zoals accu's, armleningen, bekleding, banden, remschoenen, etc.
 - b. Bij overbelasting van het product; zie het EC-etiket voor het maximale gebruikersgewicht.
 - c. Het product of onderdeel is niet onderhouden in overeenstemming met de aanbevelingen van de fabrikant, zoals uiteengezet in de gebruikershandleiding en/of de onderhoudsinstructies.
 - d. Er zijn accessoires gebruikt die niet gespecificeerd zijn als originele onderdelen.
 - e. De rolstoel of het onderdeel is beschadigd door nalatigheid, ongeval of onjuist gebruik.
 - f. Er zijn veranderingen/wijzigingen aangebracht aan de rolstoel of onderdelen die afwijken van de specificaties van de fabrikant.
 - g. Reparaties zijn uitgevoerd voordat onze Klantenservice is geïnformeerd over de omstandigheden.

6. Deze garantie wordt beheerst door het recht van het land waarin het product van Sunrise Medical werd aangekocht.

* Dit betekent de Sunrise Medical faciliteit waarvan het product werd aangekocht.

Sunrise Medical S.r.l.
Via Riva, 20 – Montale
29122 Piacenza
Italia
Tel.: +39 0523 573111
Fax: +39 0523 570060
www.SunriseMedical.it

Sunrise Medical AG
Erlenauweg 17
CH-3110 Münsingen
Schweiz/Suisse/Svizzera
Fon +41 (0)31 958 3838
Fax +41 (0)31 958 3848
www.SunriseMedical.ch

Sunrise Medical AS
Delitoppen 3
1540 Vestby
Norge
Telefon: +47 66 96 38 00
post@sunrisemedical.no
www.SunriseMedical.no

Sunrise Medical AB
Neogatan 5
431 53 Mölndal
Sweden
Tel.: +46 (0)31 748 37 00
post@sunrisemedical.se
www.SunriseMedical.se

MEDICCO s.r.o.
H – Park, Heršpická 1013/11d,
625 00 Brno
Czech Republic
Tel.: (+420) 547 250 955
Fax: (+420) 547 250 956
www.medicco.cz
info@medicco.cz
Bezplatná linka 800 900 809

Sunrise Medical Aps
Mårkærvej 5-9
2630 Taastrup
Denmark
+45 70 22 43 49
info@sunrisemedical.dk
Sunrisemedical.dk

Sunrise Medical Australia
11 Daniel Street
Wetherill Park NSW 2164
Australia
Ph: +61 2 9678 6600
Email: enquiries@sunrisemedical.com.au
www.SunriseMedical.com.au

Sunrise Medical
North American Headquarters
2842 Business Park Avenue
Fresno, CA, 93727, USA
(800) 333-4000
(800) 300-7502
www.SunriseMedical.com



Sunrise Medical GmbH
Kahlbachring 2-4
69254 Malsch/Heidelberg
Deutschland
Tel.: +49 (0) 7253/980-0
Fax: +49 (0) 7253/980-222
www.SunriseMedical.de

Sunrise Medical
Thorns Road
Brierley Hill
West Midlands
DY5 2LD
England
Phone: 0845 605 66 88
Fax: 0845 605 66 89
www.SunriseMedical.co.uk

Sunrise Medical S.L.
Polígono Bakiola, 41
48498 Arrankudiaga – Vizcaya
España
Tel.: +34 (0) 902142434
Fax: +34 (0) 946481575
www.SunriseMedical.es

Sunrise Medical Poland
Sp. z o.o.
ul. Elektronowa 6,
94-103 Łódź
Polska
Telefon: + 48 42 275 83 38
Fax: + 48 42 209 35 23
E-mail: pl@sunrisemedical.de
www.Sunrise-Medical.pl

Sunrise Medical B.V.
Groningehaven 18-20
3433 PE NIEUWEGEIN
The Netherlands
T: +31 (0)30 – 60 82 100
F: +31 (0)30 – 60 55 880
E: info@sunrisemedical.nl
www.SunriseMedical.nl

Sunrise Medical HCM B.V.
Vossenbeemd 104
5705 CL Helmond
The Netherlands
T: +31 (0)492 593 888
E: customerservice@sunrisemedical.nl
www.SunriseMedical.nl
www.SunriseMedical.eu
(International)

Sunrise Medical S.A.S
ZAC de la Vrillonnerie
17 Rue Mickaël Faraday
37170 Chambray-Lès-Tours
Tel : + 33 (0) 247554400
Fax : +30 (0) 247554403
www.sunrisemedical.fr

