

 Seating System

000691024.EN

Quickie Teens Seat Zippie Kids Seat

Instructions for Use



We at SUNRISE MEDICAL have been awarded the ISO-13485 certificate, which affirms the quality of our products at every stage, from R & D to production. Options or accessories shown are available at extra cost.



If you have any queries about the use, maintenance or safety of your seating system, please contact your local approved Sunrise Medical service agent. If you do not know of an approved dealer in your area or have any other questions please write or telephone:

Sunrise Medical
Thorns Road
Brierley Hill
West Midlands
DY5 2LD
England
Phone: 0845 605 66 88
Fax: 0845 605 66 89
www.SunriseMedical.co.uk

Dealer signature and stamp

Contents

1.0 User information	5	6.0 Manual and Powered seating options	30
1.1 This user manual	5	6.1 Manual seating options	30
1.2 For further information	5	6.2 (Powered) seating options	31
1.3 Symbols used in this manual	5	7.0 Reducing the seating system size for transportation purposes	32
2.0 Safety	6	7.1 Seat cushion	32
2.1 Seating related symbols and labels used on the product	6	7.2 Back cushion	32
2.2 Safety: Temperature	6	7.3 Swing away legrests	33
2.3 Safety: Moving parts	6	8.0 Maintenance and cleaning	34
2.4 Safety: Choking hazard	6	8.1 General Maintenance	34
2.5 Safety: Trays.....	7	8.2 Cleaning your seating system	34
2.6 Instructions for use with Remote Key Fob Stop Switch fitted.	7	8.3 Hygiene measures when being re-used:	34
3.0 General description & Intended Use	8	8.4 General cleaning instructions:	35
4.0 Setting up the seating system	9	8.5 Cleaning Accessories:	35
4.1 Pre-set seat depth	9	8.6 Cleaning controls:	35
4.2 Pre-set seat width	9	8.7 Storage	35
4.3 Pre-set backrest (this adjustment can only be performed by a trained professional)	10	9.0 Disposal	36
4.4 Pre-set Flip back armrests	12	10.0 Technical specifications:	37
4.5 Teens armrests	13	10.1 Applicable norms / standards	37
4.6 Side guard	14	10.2 Technical specifications:	37
4.7 Pre-set center mount legrest	15	11.0 Guarantee / Warranty	39
4.8 Pre-set Fixed center mount legrest	16		
4.9 Pre-set LIFE hangers	17		
4.10 Pre-set LIFE hangers- high mount	18		
4.11 Pre-set UNI swing away legrest	19		
4.12 Pre-set swing away legrests- Zippie Salsa	19		
4.13 Pre-set legrest	20		
4.14 Calf pad	20		
4.15 Pre-set swing away legrests ELR/ALR	21		
4.16 Pre-set headrest	22		
4.17 Pre-set fixed / swing away controller bracket- Teens	23		
4.18 Pre-set fixed / swing away controller bracket- Zippie	23		
4.19 Pre-set swing away controller capsulated	24		
4.20 Pre-set laterals	25		
4.21 Lap strap / seating positioning belt	26		
5.0 Using the seating system	27		
5.1 Getting in and out of the wheelchair (Transferring)	27		
5.2 Preparing for forward transfer	27		
5.3 Preparing for side transfer	28		
5.4 Headrest	29		
5.5 Swing-away controller bracket	29		

1.0 User information




Thank you for choosing a Sunrise Medical wheelchair. Sunrise Medical's high-quality mobility products are designed to enhance independence and make your everyday life easier.

1.1 This user manual

This user manual will help you to use and maintain your seating system safely. This seating manual is a supplement to Sunrise Medical's general wheelchair user manual:

- The general wheelchair user manual
- The user manual for the seating system (this booklet)
- The user manual for the controller.

When necessary this Seating user manual refers to other manuals as shown below:

 General manual:	Refers to the general user manual for the wheelchair.
 Controller:	Refers to the user manual for the controller.
 Battery charger:	Refers to the user manual for the battery charger.

Do not use your wheelchair until this entire manual (and all other booklets) has been read and understood!



If one of the user manuals was not included with your wheelchair, please contact your dealer immediately. In addition to this user manual, there is also a service manual for qualified specialists.

1.2 For further information

Please contact your local, authorized Sunrise Medical dealer if you have any questions regarding the use, maintenance or safety of your wheelchair. In case there is no authorized dealer in your area or you have any questions, contact Sunrise Medical either in writing or by telephone.

For information about product safety notices and product recalls, go to www.SunriseMedical.co.uk.

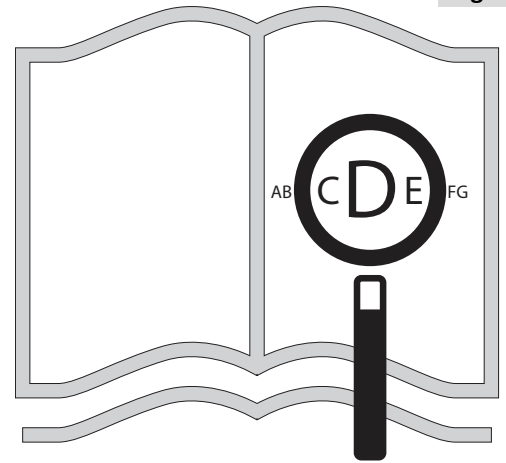
1.3 Symbols used in this manual

 DANGER! / WARNING!	Potential risk of injury or serious injury or death
 CAUTION!	Potential damage to equipment

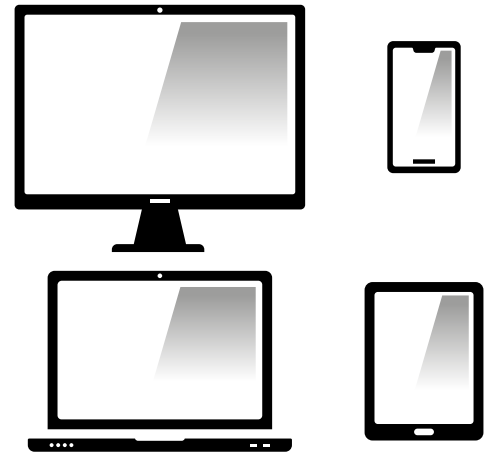
Not following these instructions may result in physical injury, damage to the product or damage to the environment!

Notice to the user and/or patient: Any serious incident that has occurred in relation to the device should be reported to the manufacturer and the competent authority of the Member State in which the user and/or patient is established.

Fig. 1.1



If you are visually impaired, this document can be viewed in PDF format at www.SunriseMedical.co.uk



or alternatively is available on request in large text.



2.0 Safety

Follow the instructions carefully next to these warning symbols! Not paying careful attention to these instructions could result in physical injury or damage to the wheelchair or the environment. Wherever possible, safety information is provided in the relevant chapter.

2.1 Seating related symbols and labels used on the product

The signs, symbols and instructions affixed to the wheelchair comprise part of the safety facilities. They must never be covered or removed. They must remain present and clearly legible throughout the entire lifespan of the wheelchair.


Replace or repair all illegible or damaged signs, symbols and instructions immediately. Please contact your dealer for assistance.

Fig 2.1: Warning – Danger of finger entrapment

Fig 2.2: Warning – Ensure that the seat interface quick release is screwed in tight before using your wheelchair, especially on a slope

Fig 2.3: Warning – Do not drive your wheelchair on a slope with the backrest reclined and/or the seating in standing mode

2.2 Safety: Temperature

 **DANGER! / WARNING!**

- If you do not use the wheelchair, ensure that it is not exposed to direct sunlight for lengthy periods of time. Certain parts of the wheelchair, such as the seat, the back and the armrests can become hot if they have been exposed to full sunlight for too long. This may cause burns or allergic reactions to the skin.

2.3 Safety: Moving parts

 **DANGER! / WARNING!**

A wheelchair has moving and rotating parts. Contact with moving parts may result in serious physical injury or damage to the wheelchair. Contact with the moving parts of the wheelchair should be avoided.

- Powered tilt in space adjustment
- Powered seat elevator option
- Powered recline adjustment
- Swing-away bracket of the controller

2.4 Safety: Choking hazard

 **DANGER! / WARNING!**

This mobility aid uses small parts which under certain circumstances may present a choking hazard to young children.

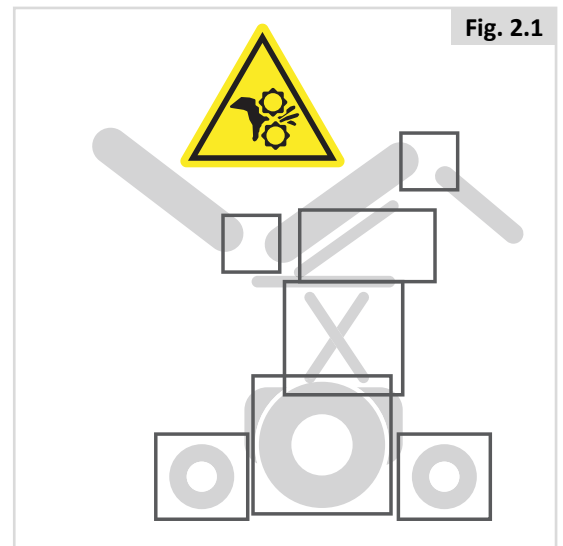


Fig. 2.1



Fig. 2.2

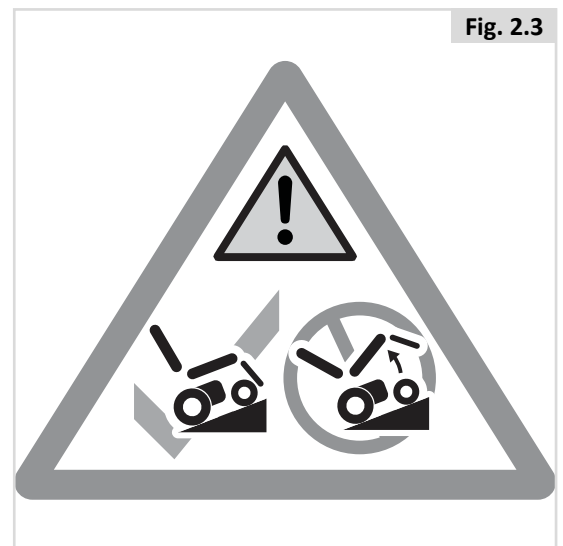


Fig. 2.3

2.5 Safety: Trays

Safety: Vent tray

DANGER! / WARNING!

Using a vent tray will affect the stability and overall weight of your wheelchair.

- Make sure that the batteries and the ventilator are securely fastened to the tray before use.
- Familiarise yourself with the increased size of the wheelchair before driving to prevent potential collisions.
- When activating the recline backrest make sure that the area around the vent tray is clear.
- Be aware that the vent tray assembly can cause a finger trap hazard when the backrest is reclined.
- The vent tray is not designed to hold anything other than the vent unit and its batteries, it is not designed to hold an oxygen bottle etc. Use of these items may cause your wheelchair to become unstable.
- The vent tray must be installed and maintained by a Sunrise Medical authorised dealer.

Safety: Swing away tray:

DANGER! / WARNING!

- The maximum weight allowed for the tray is 2.5kg.
- Do not overload the tray, this could cause the tray to break or could cause the chair to become unstable.
- Do not leave lit cigarettes or other heat sources on the tray as this could cause the tray to deform and mark.
- Ensure that all extremities and clothing are clear when positioning the tray for use.

2.6 Instructions for use with Remote Key Fob Stop Switch fitted.

WARNING!

These instructions for use must be read by all responsible adults who come into contact with this Powered wheelchair, they should be also be read in conjunction with the user information provided with the remote key fob unit and the warnings given in relevant sections of the user manual

WARNING!

Because the remote key fob sender unit can immobilise the powered wheelchair without the prior notice of the user, it must be only be used by a responsible adult.

The key fob should not be left unattended, and must not be left within reach of un-authorized persons or children.

WARNING!

Before and each and every time the wheelchair is used the attendant/carer must establish that the remote stop function is operating satisfactorily before proceeding with its use.

User warnings and limitations of use:

NOTE / CAUTION!

Control of the powered wheelchair remains with the user however when the button on the remote unit is pressed the powered wheelchair's electronic drive inhibit function will be activated. This will bring the powered wheelchair to a controlled stop if it is moving, and will prevent the user from driving the chair in any direction. The inhibit function will be deactivated when the remote button is pressed once more.

NOTE / CAUTION!

Care should be taken to ensure the powered wheelchair is not immobilised in a dangerous environment or position in use. (E.g. on crossing a road or level crossing)

WARNING!

Although the drive inhibit function will bring a powered wheelchair to a controlled stop Sunrise Medical Ltd strongly recommends the fitting of a lap belt or harness to the chair, and that the user should wear it at all times when occupying the chair.

NOTE / CAUTION!

The stopping of the wheelchair is in a controlled manner, therefore it must be recognised that there is a finite distance to stop the wheelchair and it is not an emergency stop (dead stop).

NOTE / CAUTION!

The remote stopping functionality of the wheelchair is wholly dependent on the integrity of the radio communications link between the transmitter (key fob) and the receiver (wheelchair). If the integrity of the communications link is broken or corrupted, it may not be possible to stop the wheelchair. Sources of communications disruption may be caused by but not limited to-

- The battery power of the transmitter or receiver is not sufficient to maintain communication.
- The environment obstructs the transmitted signal, e.g. the wheelchair must be in direct line of sight, or absorbs the transmitted signal, e.g. large metallic objects close by.
- The distance between the transmitter and the wheelchair exceeds the range of the transmitting / receiving devices.
- Other interfering radio transmitting devices, e.g. garage door remote controls, mobile phone, radio transmitting towers, emergency services communications, power distribution cables.
- Environmental effects; electrical storm, rainwater ingress into the transmitting/ receiving devices.

3.0 General description & Intended Use

This wheelchair is equipped with Sedeo Lite seating system. The Sedeo Lite seating system provides excellent support for the head, torso, arms and legs. Optimal body support ensures maximum independence for the wheelchair user.

The wheelchair must be adjusted by a qualified specialist. Incorrect settings may have negative consequences for the seating posture.

Main components (Fig. 3.1):

1. Headrest
2. Joystick
3. Armrest
4. Seat cushion
5. Legrest
6. Backrest

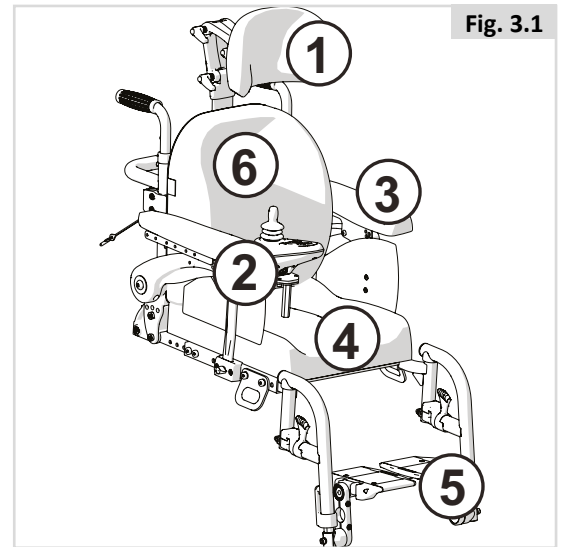


Fig. 3.1

4.0 Setting up the seating system

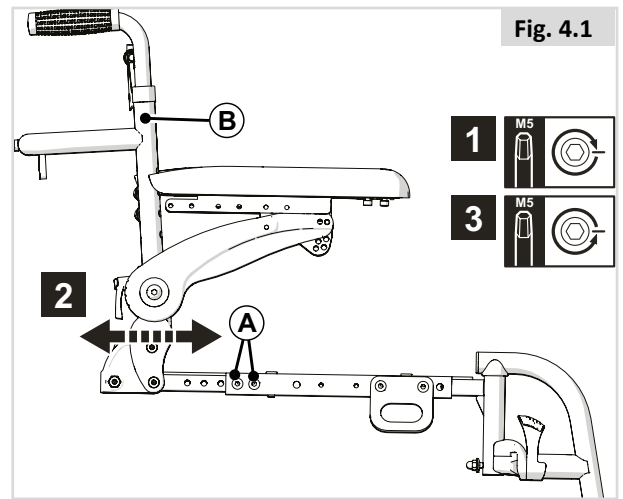
The average wheelchair user does not exist. This is why Sunrise Medical wheelchairs can be pre-set according to specific needs of the user.

Pre-settings are carried out once, the first time the wheelchair is going to be used. They must be executed by qualified specialist, unless explicitly stated otherwise.

4.1 Pre-set seat depth

Backrest frame depth (Fig 4.1):

1. Unscrew and remove 2 x (A) on both sides.
2. Adjust (B) to the desired position.
3. Replace and tighten for all (A) fasteners.



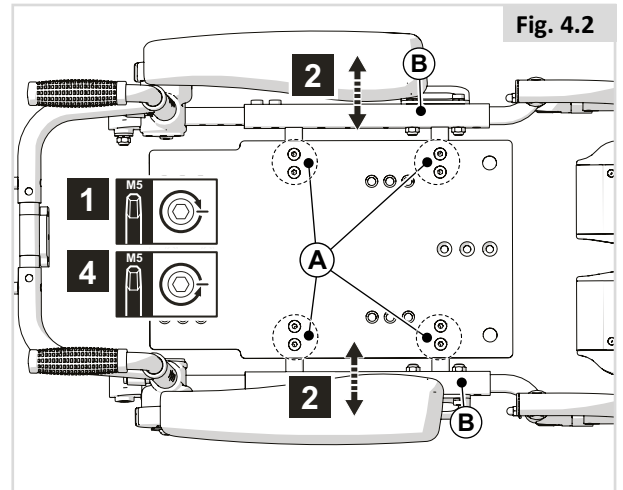
4.2 Pre-set seat width

To adjust the seat frame width, the seat plate and back frame width needs to be adjusted at the same time. For easy explanation these are mentioned in fig 4.2 and 4.3 separately.

Seat frame width (Fig. 4.2 & 4.3)

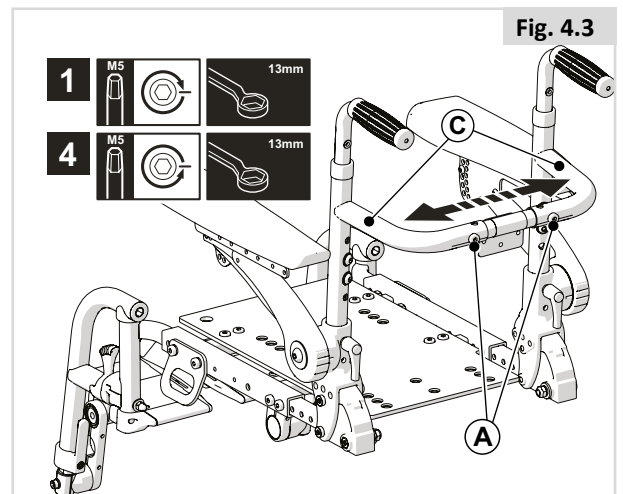
Lift the seat cushion off the Velcro® strips to access the seat plates.

1. Unscrew and remove 10 x (A).
2. Adjust (B) to the desired position.
3. Adjust (C) to the desired position.
4. Replace and tighten all (A) fasteners.



⚠ NOTE / CAUTION!

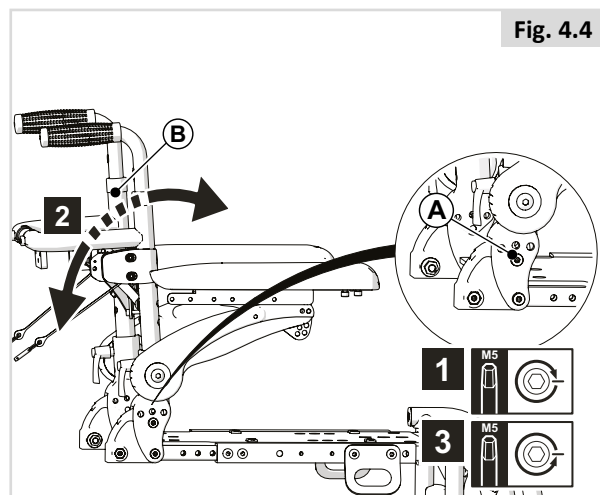
There are 2 sizes of the back frame width adjustment. One for 30-34 cm and one for 36-40 cm.



4.3 Pre-set backrest (this adjustment can only be performed by a trained professional)

Backrest angle (Fig 4.4)

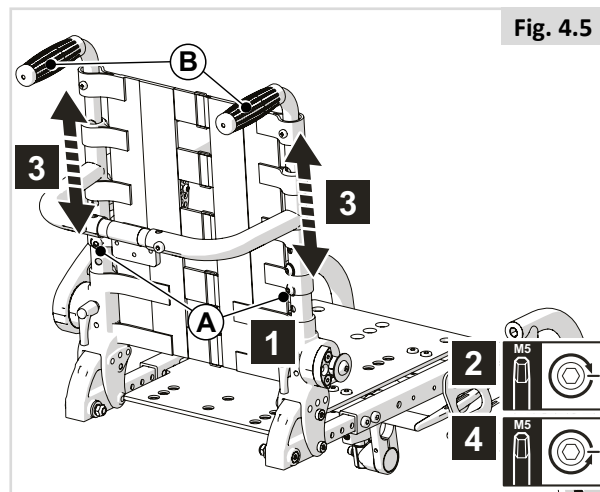
1. Unscrew and remove (A) on both sides.
2. Adjust (B) to the desired position.
3. Replace and tighten (A).



Backrest height Sling Back (Fig 4.5)

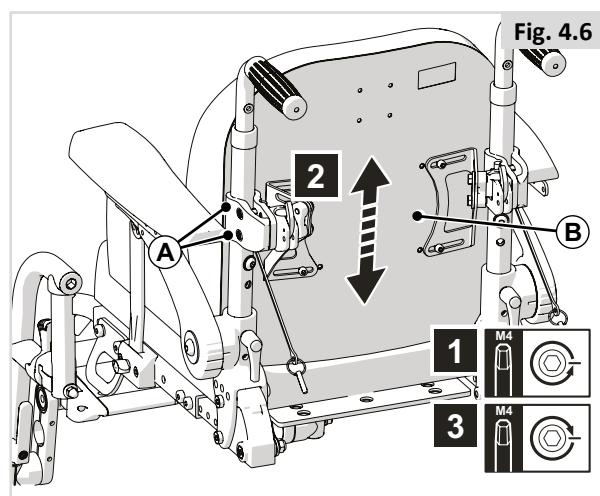
(Remove sling back before proceeding)

1. Unscrew and remove 4 x (A).
2. Adjust (B) to the desired position.
3. Replace and tighten (A).
4. Replace sling back.



Backrest height SEDEO LITE Back cushion (Fig 4.6)

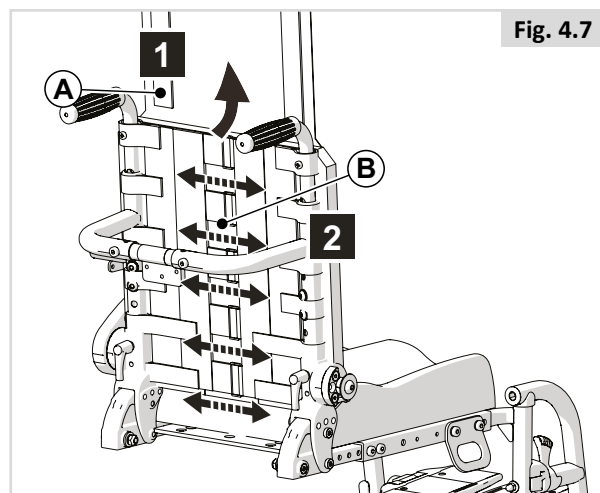
1. Loosen 2 x (A) on both sides.
2. Adjust (B) to the desired position.
3. Tighten all (A) fasteners.




Sling Back with adjustable straps (Fig 4.7)

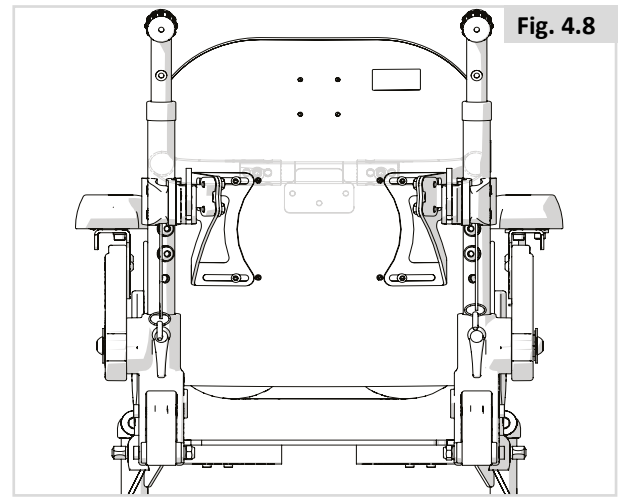
The wheelchair has a Sling backrest that can be adjusted to the curvature of the back in order to achieve a comfortable sitting position and good stability. The user can sit in the wheelchair when adjustments are being made to the curvature of the backrest.

1. Flip back (A).
2. Loosen or tighten (B) with Velcro.



J3 Back (Fig 4.8)

 NOTE: The Jay 3 Backrest can be used in conjunction with the Sedeo Lite seating system. Please refer to the J3 Back Owner's Manual for fitting and adjustment.



4.4 Pre-set Flip back armrests

Armrest height

Major or minor adjustment it is a two-part process:

PART 1 (Fig. 4.9)

1. Turn (A) in order to adjust (B).

PART 2 (Fig. 4.10)

1. Loosen rear screw (A) by one turn then fully remove (B).
2. Adjust (C) to the desired position.
3. Replace and tighten (A) & (B).

Armrest pad depth (Fig.4.11)

1. Loosen (A).
2. Adjust (B) to the desired position.
3. Tighten (A).

NOTE

In order to reach the rear screw in lower armrest heights, loosen screws (A) of Fig 4.10 and adjust the angle of the pad first.

DANGER! / WARNING!

All screws should be checked periodically for tightness. A loose arm pad could slip down when pressed.

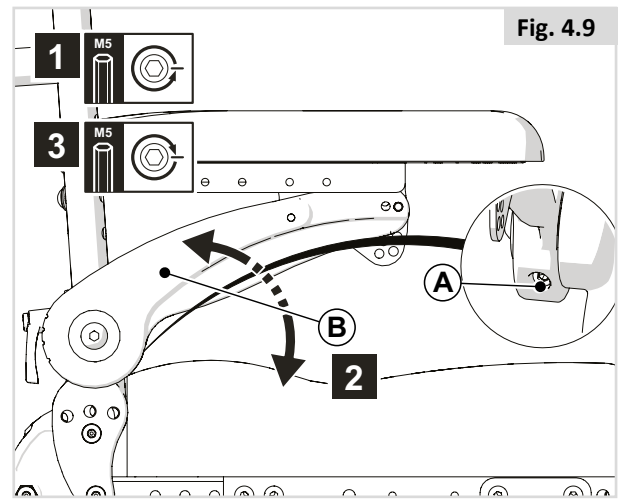


Fig. 4.9

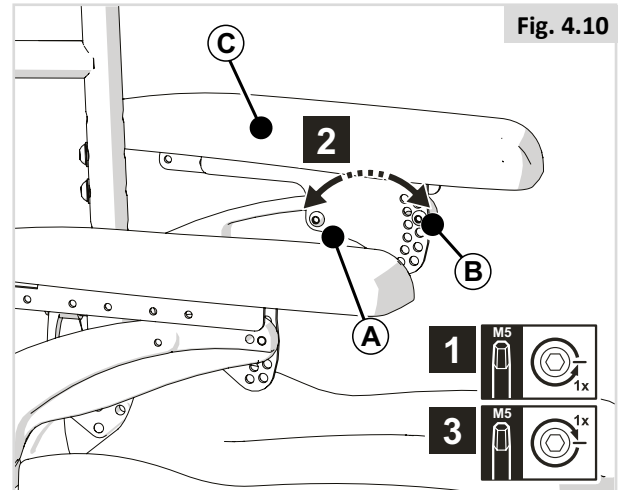


Fig. 4.10

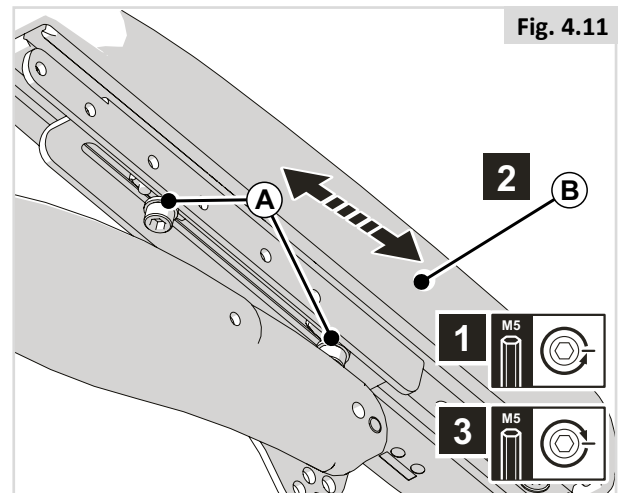


Fig. 4.11

4.5 Teens armrests

Armrest height

Major or minor adjustment it is a two-part process:

PART 1 (Fig. 4.12)

1. Turn (A) in order to adjust (B).

PART 2 (Fig. 4.13)

1. Loosen (A) by one turn.
2. Adjust (B) to the desired position.
3. Tighten (A).

Armrest pad depth (Fig.4.14)

1. Loosen (A) by one turn.
2. Adjust (B) to the desired position.
3. Tighten (A).

NOTE

In order to reach the rear screw in lower armrest heights, loosen screws (A) of Fig 4.12 and adjust the angle of the pad first.

DANGER! / WARNING!

All screws should be checked periodically for tightness. A loose arm pad could slip down when pressed.

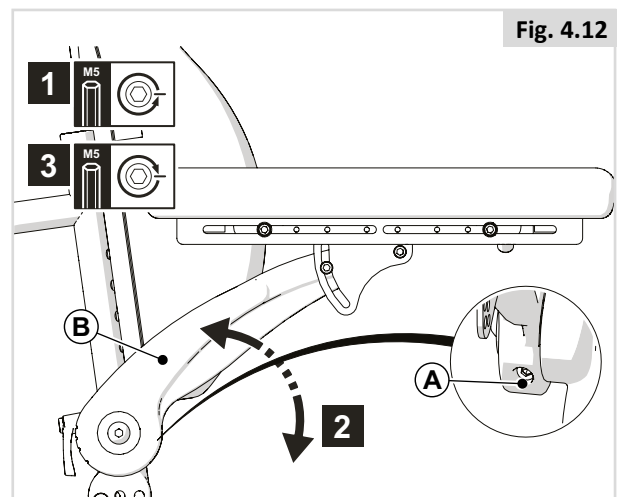


Fig. 4.12

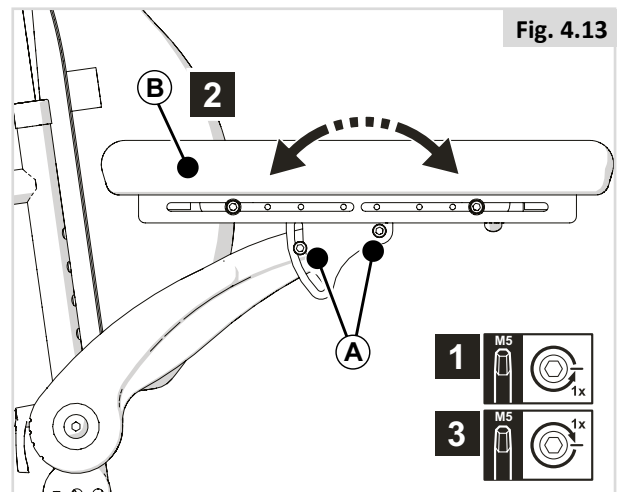


Fig. 4.13

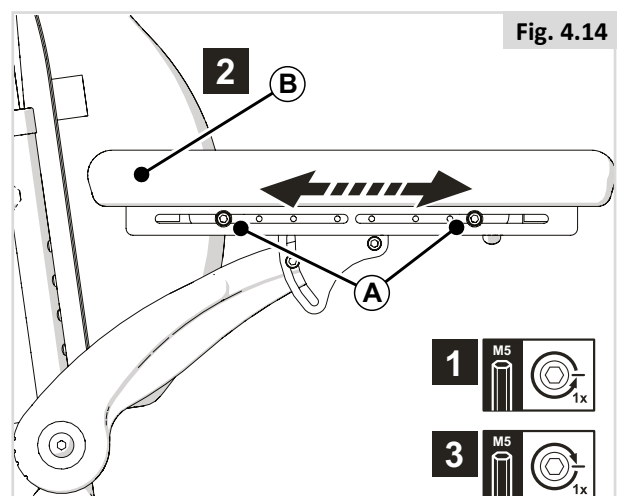


Fig. 4.14

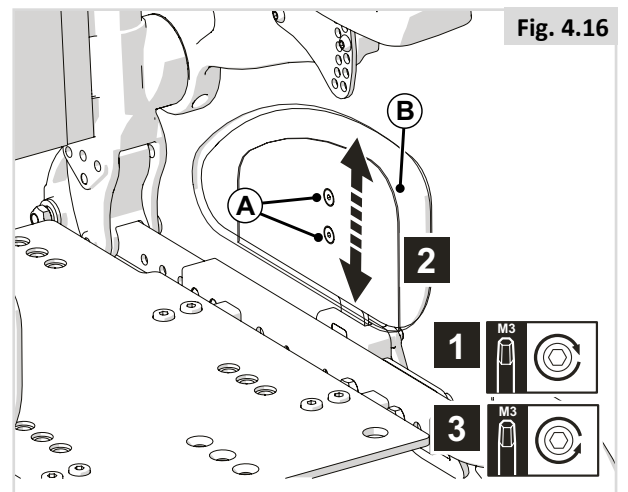
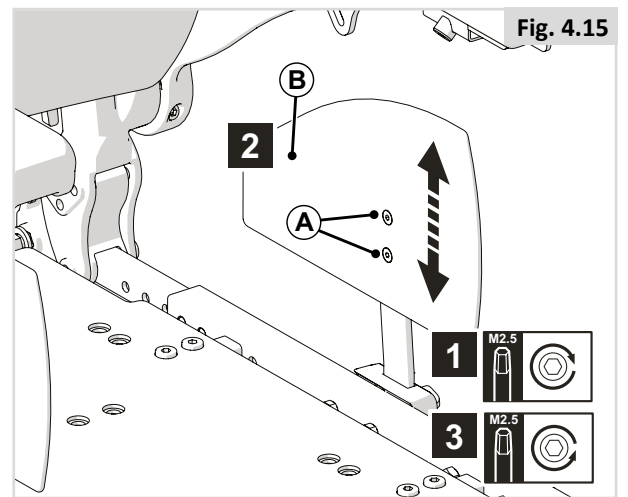
4.6 Side guard

Straight Side guard height (Fig 4.15)

1. Unscrew (A).
2. Adjust (B) to the desired position.
3. Tighten (A).

In-rig Side guard height (Fig 4.16)

1. Unscrew (A).
2. Adjust (B) to the desired position.
3. Tighten (A).



4.7 Pre-set center mount legrest

Lower leg length (Fig 4.17)

1. Unscrew and remove (A).
2. Adjust (B) to the desired position.
3. Replace and tighten (A).

NOTE / CAUTION!

Ensure that there is sufficient free space under (B) for the wheelchair to drive over obstacles.

Ankle angle (Fig 4.18)

1. Flip up (A).
2. Turn (B) in order to adjust the ankle angle as desired.
3. Fold (A) down.

Central calf support height (Fig 4.19)

1. Unscrew and remove (A).
2. Adjust (B) to the desired position.
3. Replace and tighten (A).

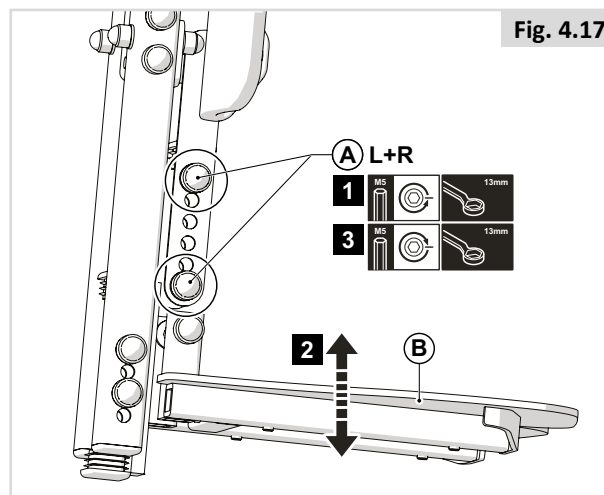


Fig. 4.17

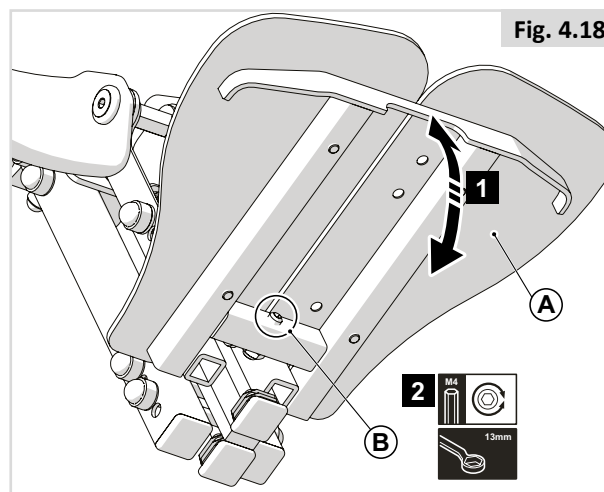


Fig. 4.18

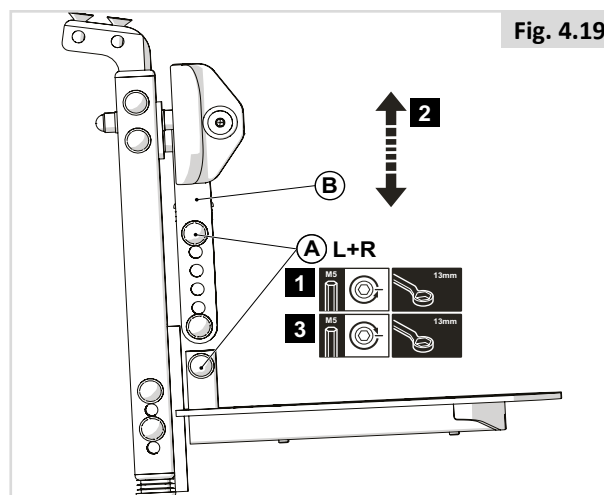


Fig. 4.19

4.8 Pre-set Fixed center mount legrest

Lower leg length (Fig 4.20)

1. Unscrew and remove (A).
2. Adjust (B) to the desired position.
3. Replace and tighten (A).

Ankle angle (Fig 4.21)

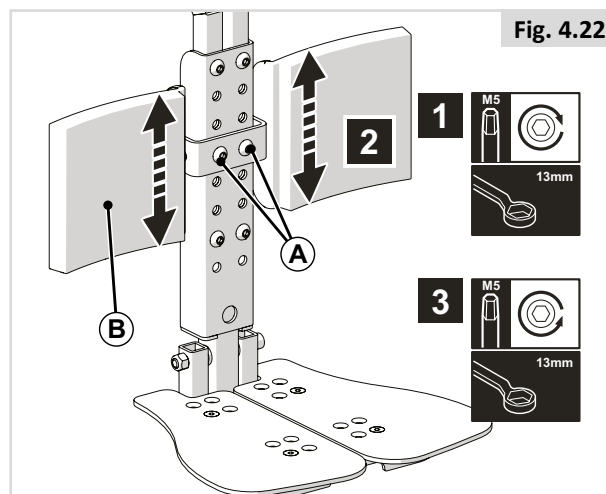
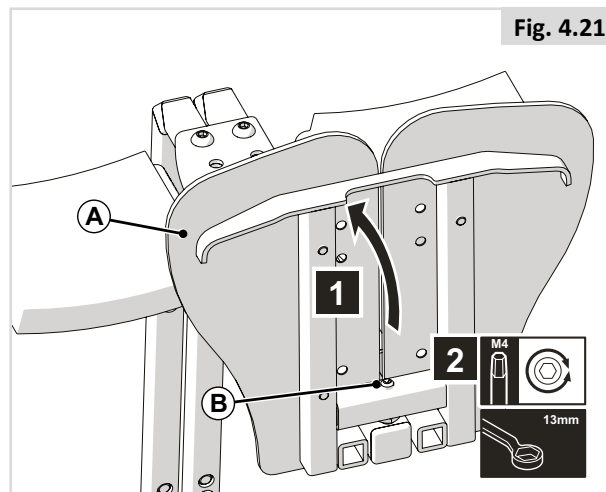
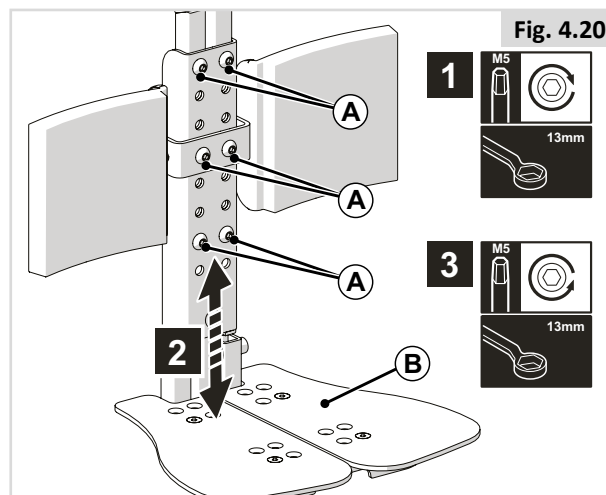
1. Flip up (A).
2. Turn (B) in order to adjust the ankle angle as desired.
3. Fold (A) down.

DANGER! / WARNING!

- After adjustment and with the seat in its normal drive position: Ensure there is a gap of, (>25 mm.), between the floor and the footplate at all times.
- Perform this test with the user sitting in the chair loading the legrest
- Using the chair with the legrest set too low might result in personal injury or damage to the wheelchair and its surroundings.

Calf pad height (Fig 4.22)

1. Unscrew and remove (A).
2. Adjust (B) to the desired position.
3. Tighten (A).



4.9 Pre-set LIFE hangers

Lower leg length (Fig 4.23)

1. Loosen (A).
2. Adjust (B) to the desired position.
3. Tighten (A).

Footrest angle (Fig 4.24)

1. Loosen (A).
2. Adjust (B) to the desired position.
3. Tighten (A).

NOTE / CAUTION!

- Ensure that there is sufficient free space under (B) for the wheelchair to drive over obstacles.

Footplate depth (Fig 4.25)

1. Remove (A).
2. Adjust (B) to the desired position.
3. Replace (A).

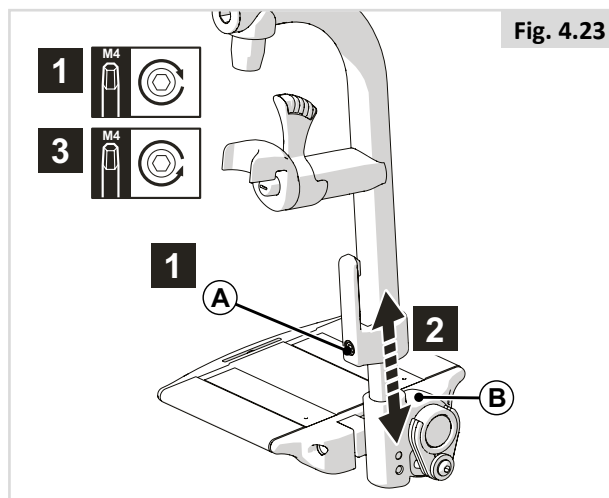


Fig. 4.23

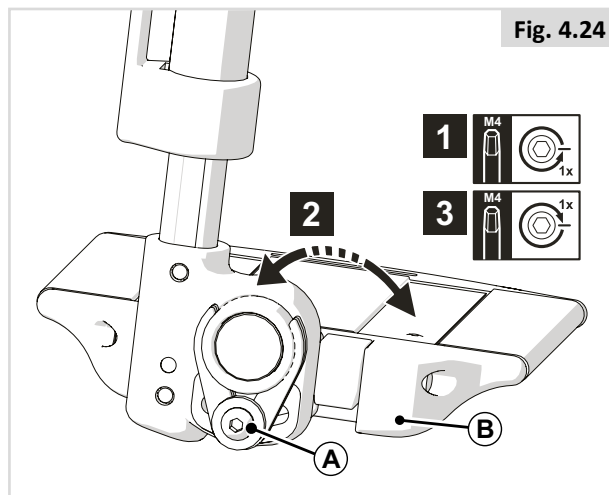


Fig. 4.24

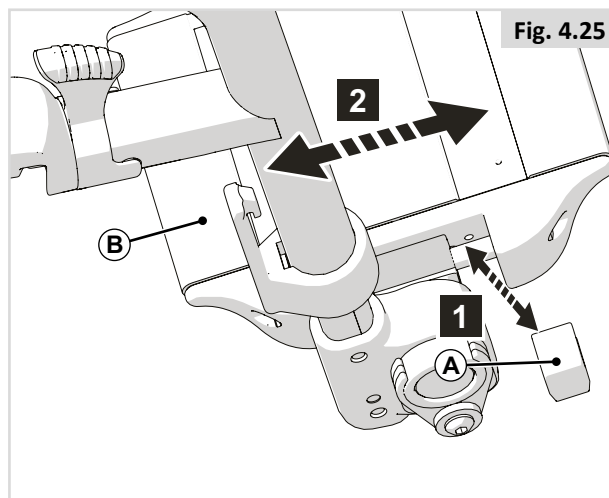


Fig. 4.25

4.10 Pre-set LIFE hangers - high mount

Lower leg length (Fig 4.26)

1. Loosen (A).
2. Adjust (B) to the desired position.
3. Tighten (A).

NOTE / CAUTION!

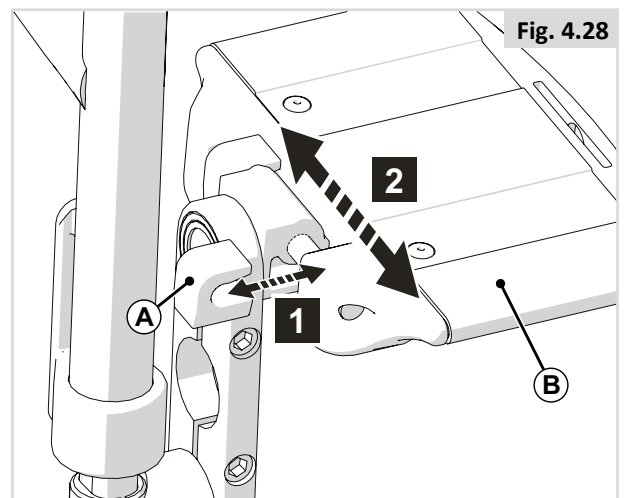
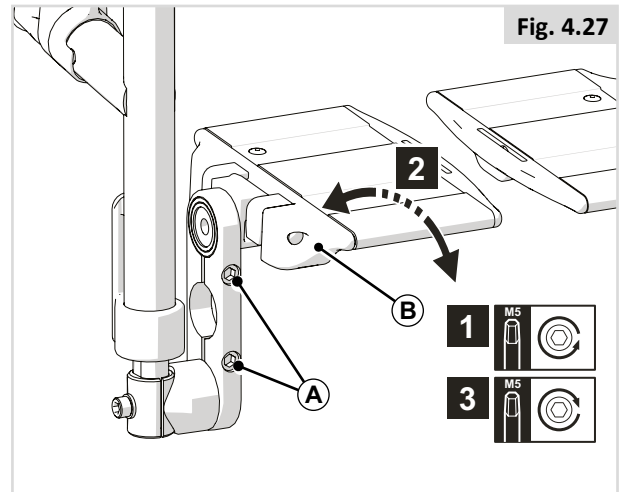
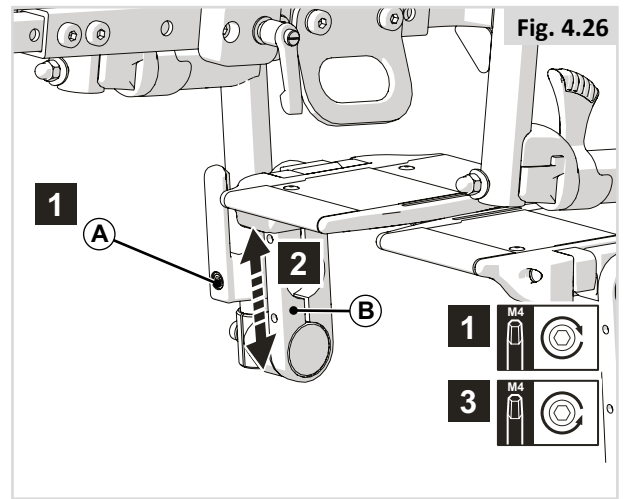
- Ensure that there is sufficient free space under (B) for the wheelchair to drive over obstacles.

Footrest angle (Fig 4.27)

1. Loosen (A).
2. Adjust (B) to the desired position.
3. Tighten (A).

Footplate depth (Fig 4.28)

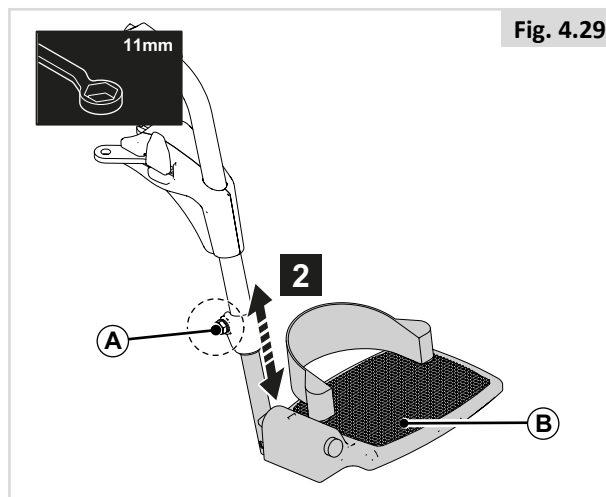
1. Remove (A).
2. Adjust (B) to the desired position.
3. Replace (A).



4.11 Pre-set UNI swing away legrest

Lower leg length (Fig 4.29)

1. Loosen (A).
2. Adjust (B) to the desired position.
3. Tighten (A).



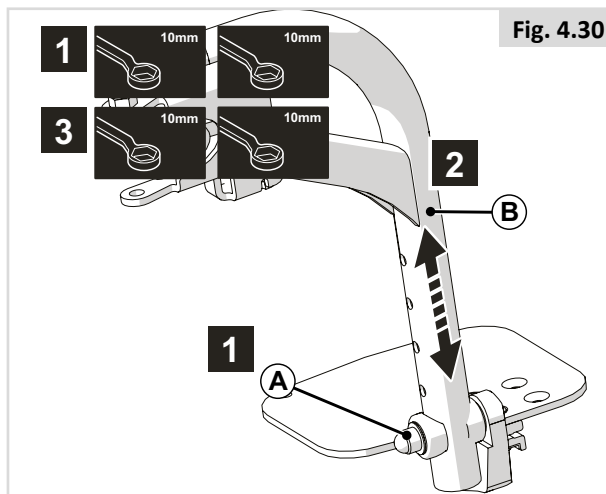
4.12 Pre-set swing away legrests - Zippie Salsa

Lower leg length (Fig 4.30)

1. Unscrew and remove (A).
2. Adjust (B) to the desired position.
3. Replace and tighten (A).

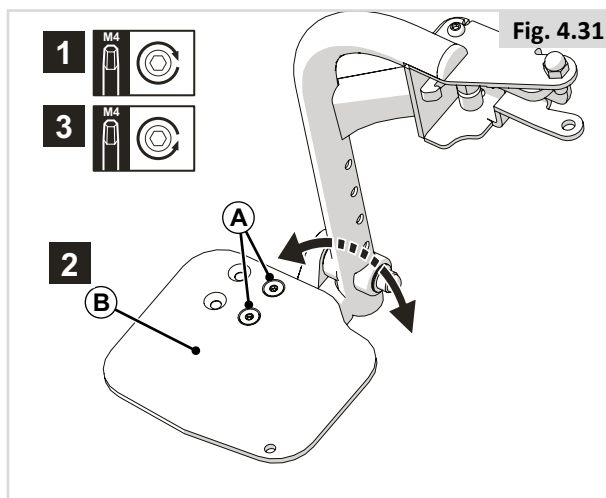
NOTE / CAUTION!

- Ensure that there is sufficient free space under (B) for the wheelchair to drive over obstacles.



Footrest angle (Fig 4.31)

1. Loosen (A).
2. Adjust (B) to the desired position.
3. Tighten (A).



4.13 Pre-set legrest

Lower leg length (Fig 4.32)

1. Unscrew and remove (A).
2. Adjust (B) to the desired position.
3. Replace and tighten (A).

⚠ NOTE / CAUTION!

- Ensure that there is sufficient free space under (B) for the wheelchair to drive over obstacles.

Footrest angle (Fig 4.33)

1. Loosen (A).
2. Adjust (B) to the desired position.
3. Tighten (A).

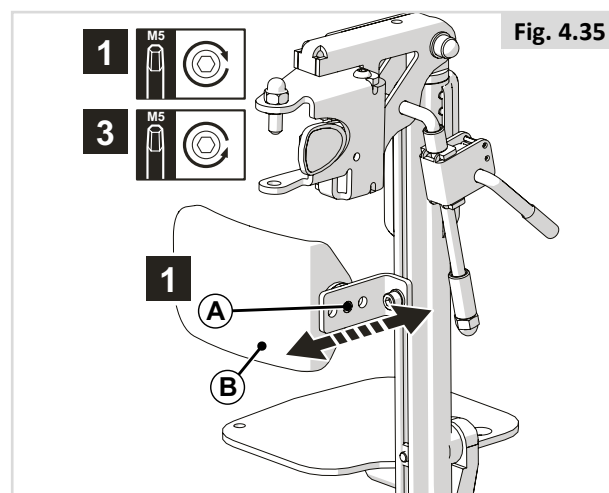
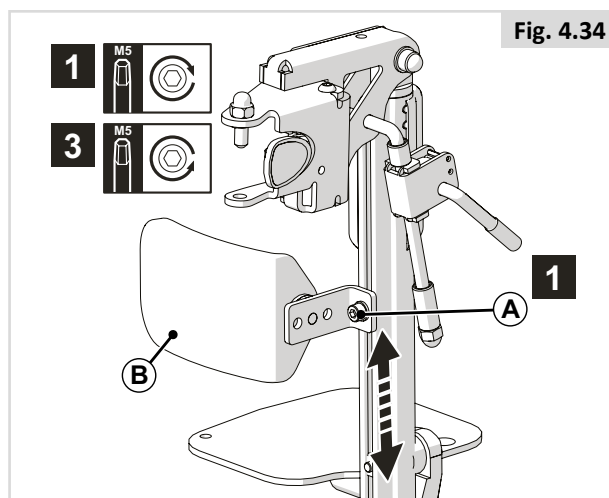
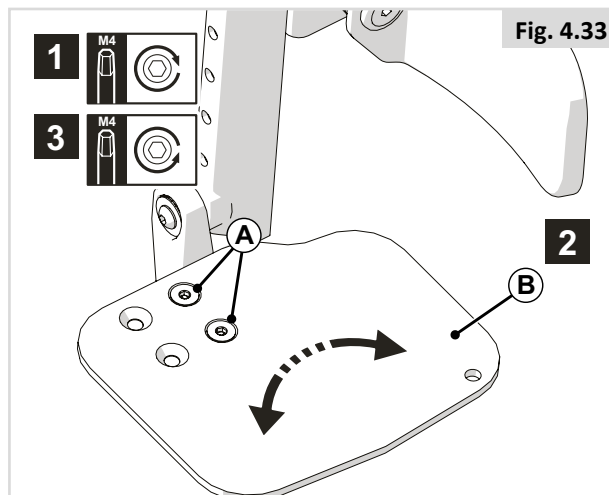
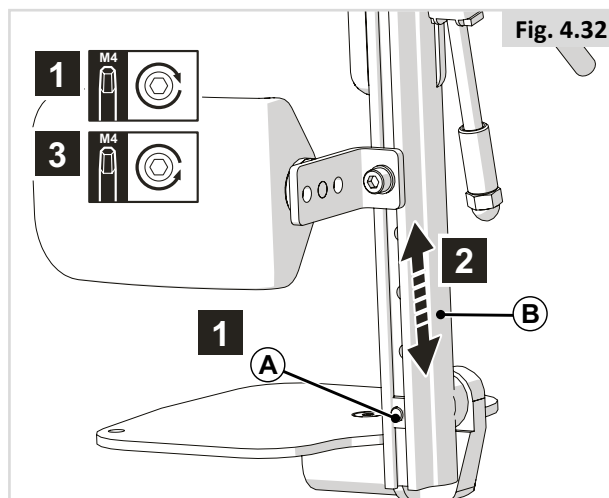
4.14 Calf pad

Calf pad height (Fig 4.34)

1. Loosen (A).
2. Adjust (B) to the desired position.
3. Tighten (A).

Calf pad depth (Fig 4.35)

1. Unscrew and remove (A).
2. Adjust (B) to the desired position.
3. Replace and tighten (A).



4.15 Pre-set swing away legrests ELR/ALR

Lower leg length (Fig 4.36)

1. Unscrew and remove (A).
2. Adjust (B) to the desired position.
3. Replace and tighten (A).

NOTE / CAUTION!

Ensure that there is sufficient free space under (B) for the wheelchair to drive over obstacles.

Ankle angle (Fig 4.37)

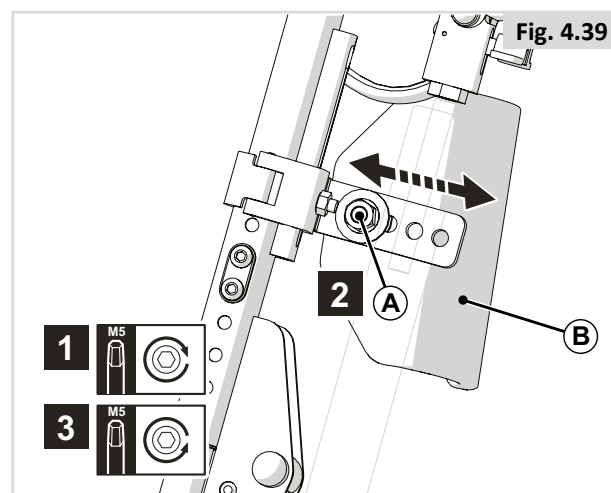
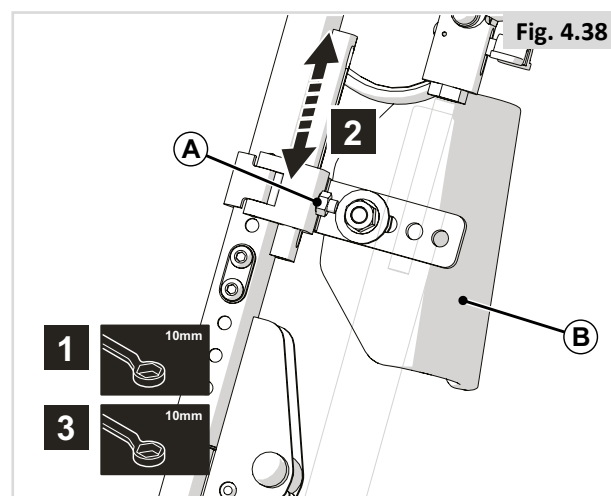
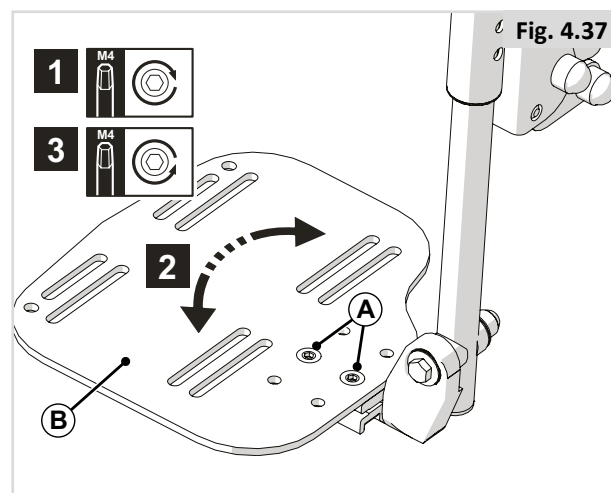
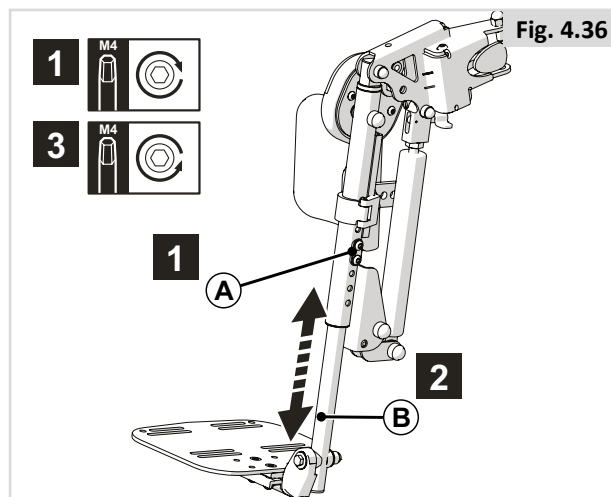
1. Loosen (A).
2. Adjust (B) to the desired position.
3. Tighten (A).

Calf pad height (Fig 4.38)

1. Loosen (A).
2. Adjust (B) to the desired position.
3. Tighten (A).

Calf pad height (Fig 4.39)

1. Loosen (A).
2. Adjust (B) to the desired position.
3. Tighten (A).



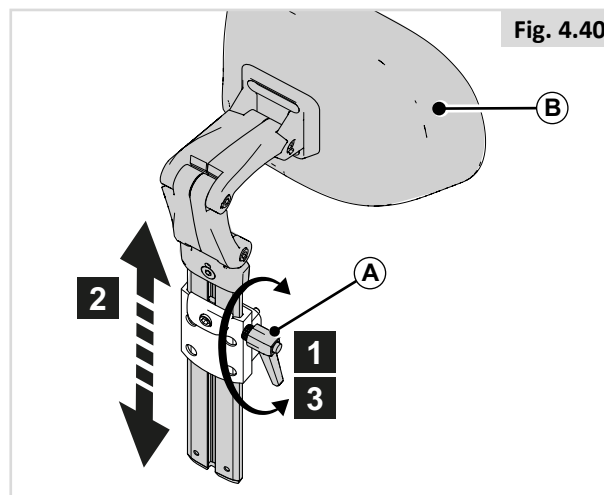
4.16 Pre-set headrest

⚠ DANGER! / WARNING!

- If a headrest is part of the options selected for the user/chair, never drive the chair without the headrest attached.
- Never use the chair without a headrest if a person is transported with the chair in a vehicle.

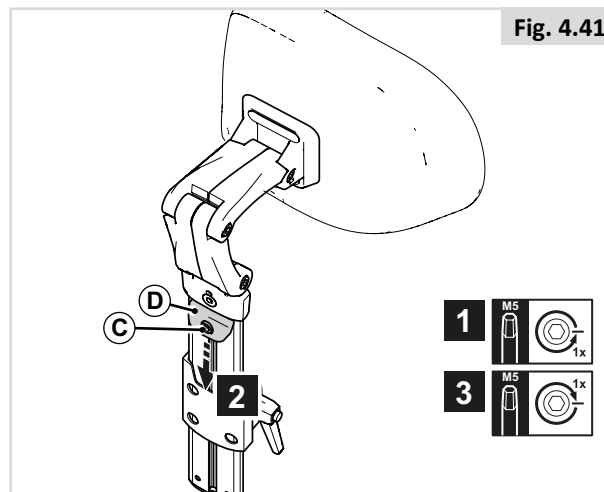
Headrest height (Fig 4.40)

1. Loosen (A) a few turns.
2. Adjust (B) to the desired position.
3. Tighten (A).



Memory setting (Fig 4.41)

1. Loosen (C) by one turn.
2. Slide (D) as far down as possible.
3. Tighten (C).

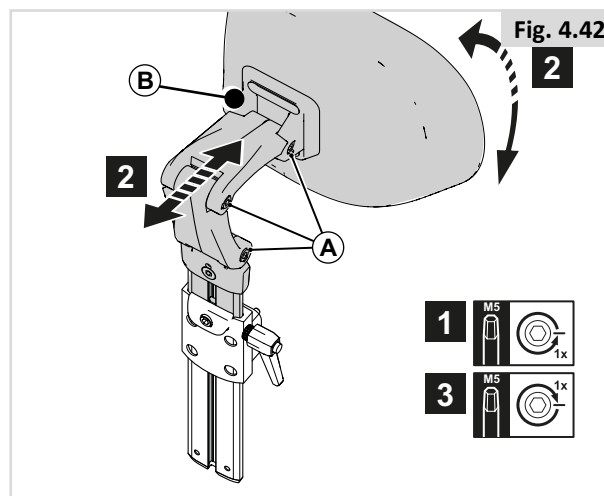


Headrest position (Fig 4.42)

1. Loosen (A) by one turn.
2. Adjust (B) to the desired position.
3. Tighten (A).

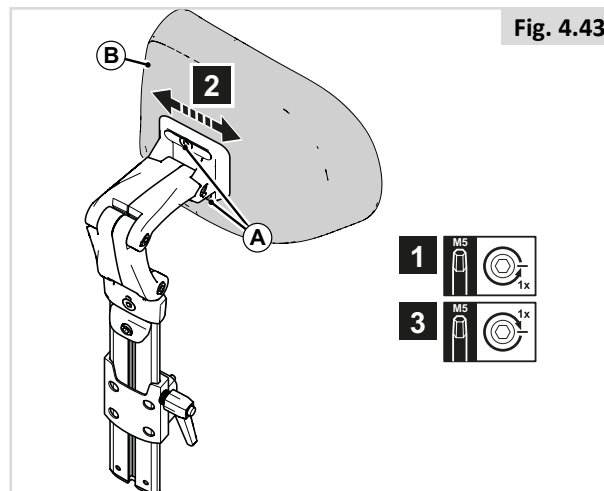
⚠ NOTE / CAUTION!

Correct the headrest height and tilt the headrest cushion as required.



Headrest cushion width position (Fig 4.43)

1. Loosen (A) by one turn.
2. Adjust (B) to the desired position.
3. Tighten (A).



4.17 Pre-set fixed / swing away controller bracket - Teens

Depth of the controller (Fig 4.44)

1. Loosen (A).
2. Adjust (B) to the desired position.
3. Tighten (A).

Height of the controller (Fig 4.45)

1. Loosen (A).
2. Adjust (B) to the desired position.
3. Tighten (A).

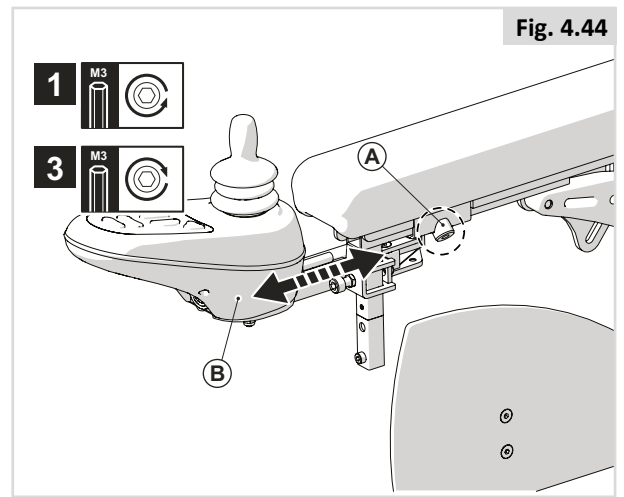


Fig. 4.44

4.18 Pre-set fixed / swing away controller bracket - Zippie

Depth of the controller (Fig 4.46)

1. Loosen (A).
2. Adjust (B) to the desired position.
3. Tighten (A).

Height of the controller (Fig 4.47)

1. Unscrew and remove (A).
2. Adjust (B) to the desired position.
3. Replace and tighten (A).

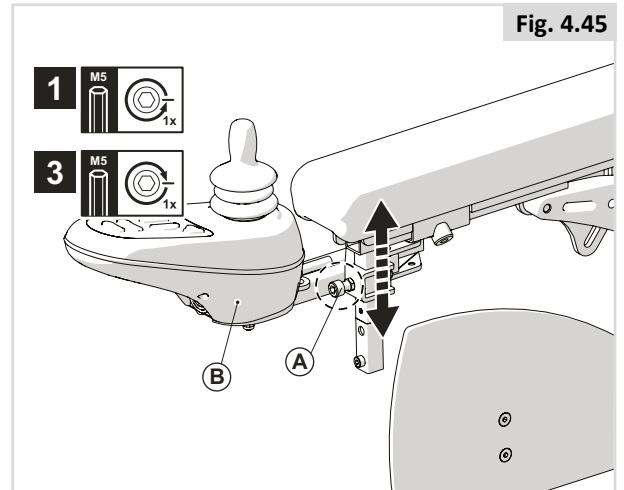


Fig. 4.45

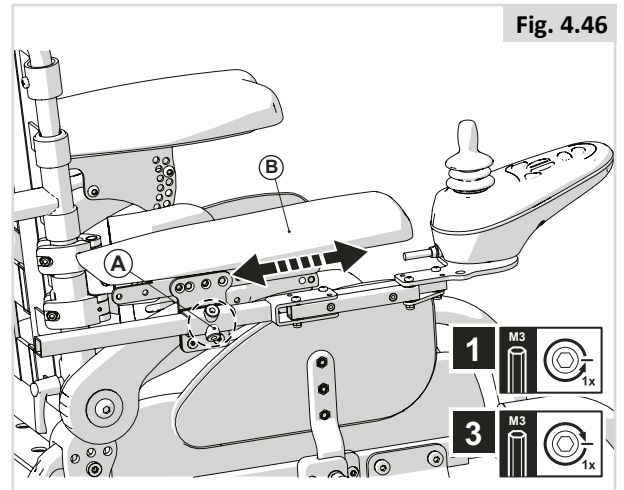


Fig. 4.46

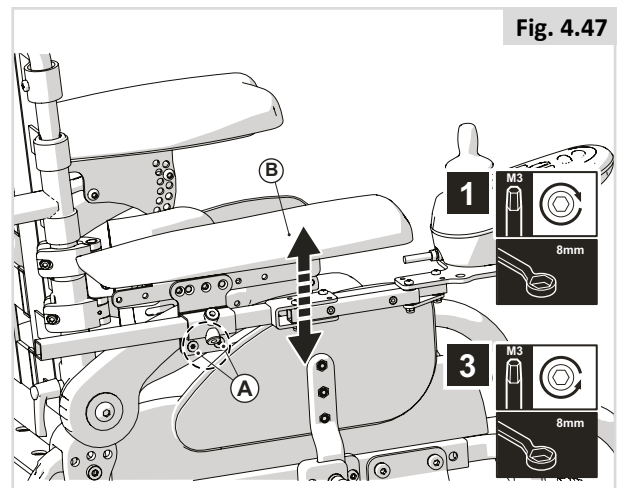
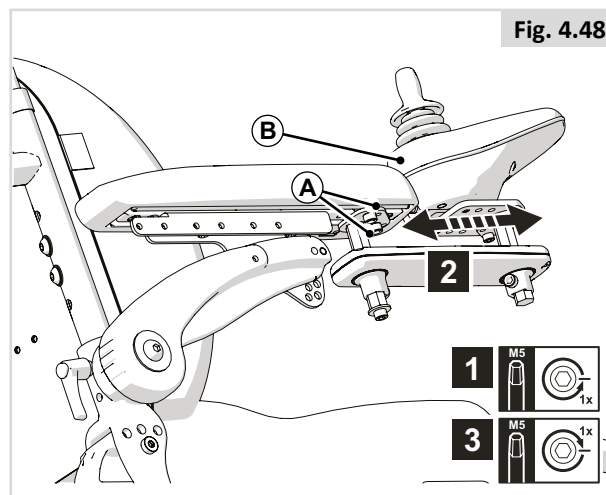


Fig. 4.47

4.19 Pre-set swing away controller capsulated

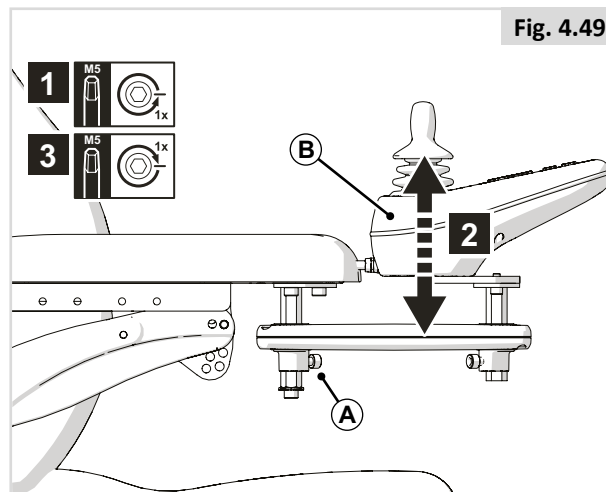
Depth of the controller (Fig 4.48)

1. Loosen (A).
2. Adjust (B) to the desired position.
3. Tighten (A).



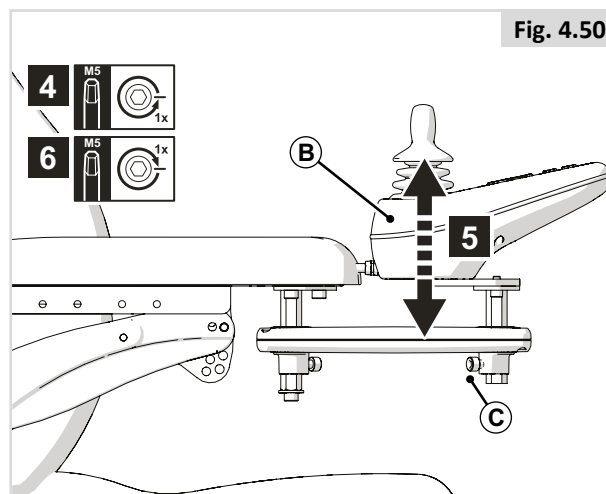
Height of the controller (1) (Fig 4.49)

1. Loosen (A).
2. Adjust (B) to the desired position.
3. Tighten (A).



Height of the controller (2) (Fig 4.50)

1. Loosen (A).
2. Adjust (B) to the desired position.
3. Tighten (A).



4.20 Pre-set laterals

Laterals height (Fig 4.51)

1. Loosen (A).
2. Adjust (B) to the desired position.
3. Tighten (A).

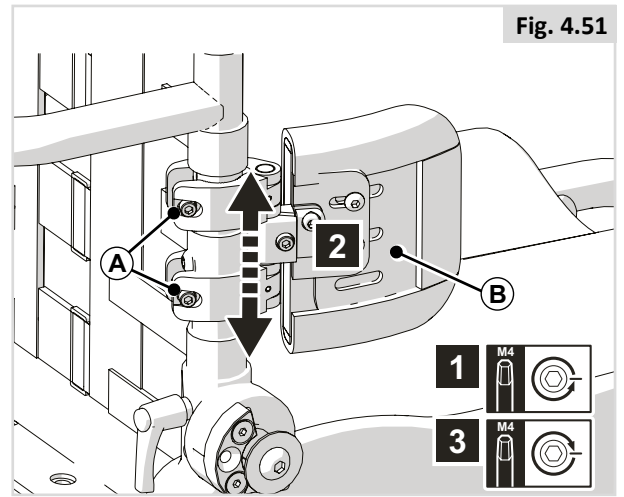


Fig. 4.51

Laterals depth (Fig 4.52)

1. Loosen (A).
2. Adjust (B) to the desired position.
3. Tighten (A).

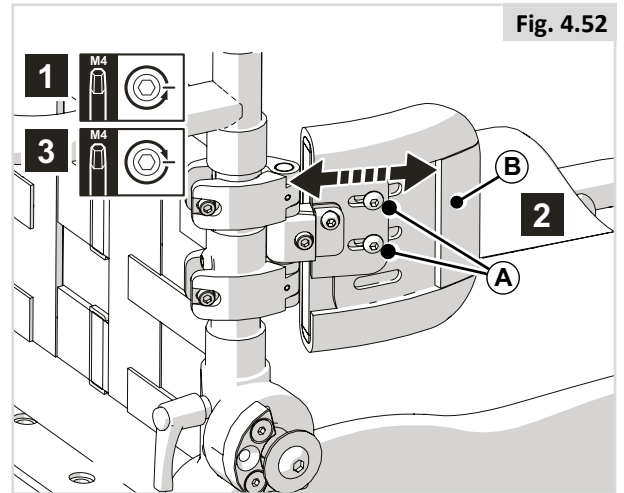


Fig. 4.52

Laterals angle (Fig 4.53)

1. Loosen (A).
2. Adjust (B) to the desired position.
3. Tighten (A).

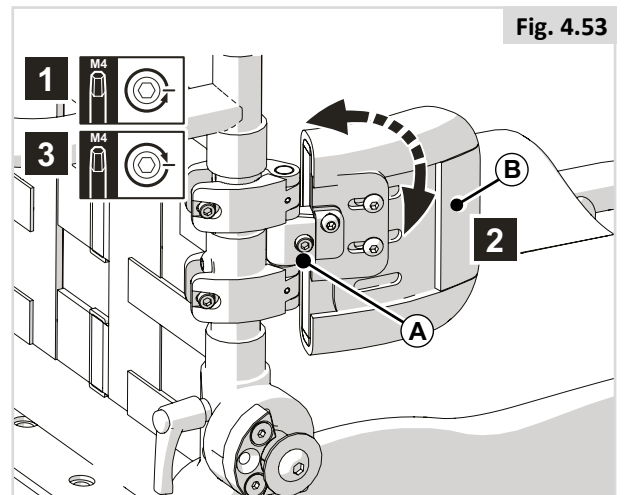


Fig. 4.53

4.21 Lap strap / seating positioning belt

DANGER! / WARNING!

- This product is only to be used to position a single person in a wheelchair.
- Lap straps are not suitable for transit purposes, approved occupant restraint systems must be used.
- Failure to heed these warnings may result in severe injury or death.
- Ensure that the carer or attendant is trained in the correct operation of the belts.
- Untrained carers or attendants may lead to delays, if an emergency situation occurs.

Mounting a lapstrap / seating positioning belt

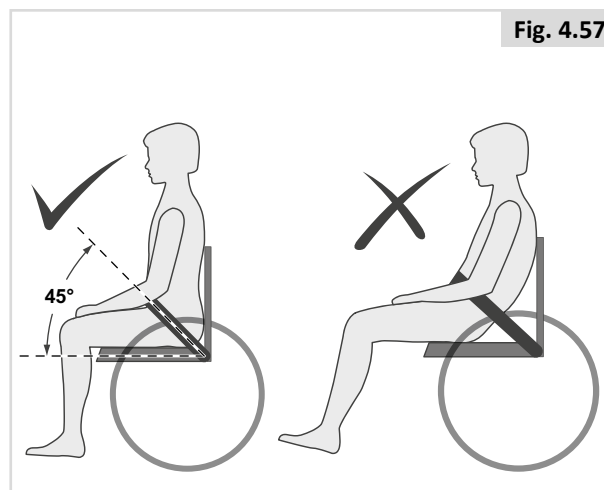
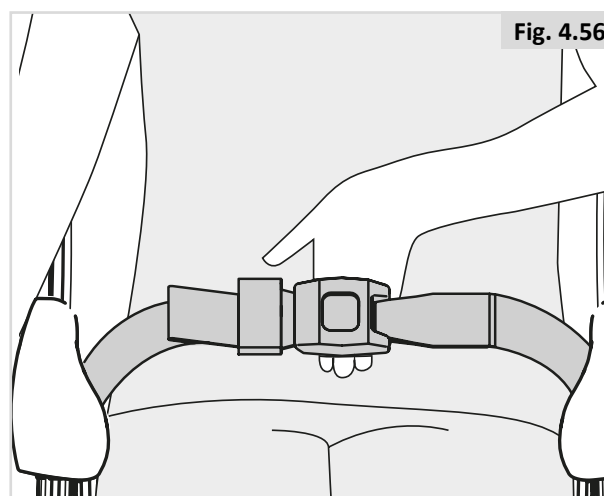
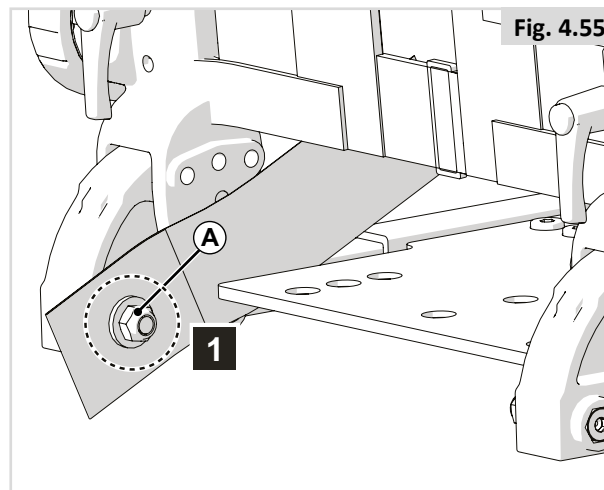
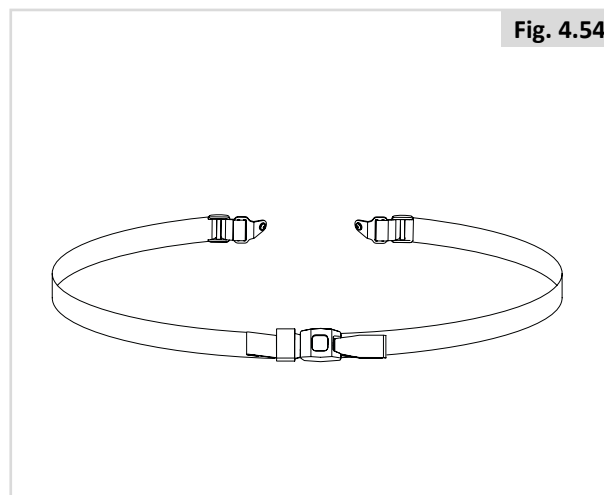
1. Attach (A) to the seating frame using a screw on the left and on the right. (Fig 4.55)

Positioning a person with a lapstrap

- Adjust the lap strap to suit, leaving no more than a hand's width gap for comfort and safety (Fig 4.56).
- The hand clearance should be with the lap strap under normal tension and not allow large gaps or loops.
- Generally, the lap strap should be fixed so that the straps sit at an angle of approximately 45° (Fig. 4.57), and when correctly adjusted should not allow user to slip down in the seat.
- Place the strap loosely across the seat with the opening end of the buckle facing to the right for a left-handed person and to the left for a right-handed person. Pass the other ends of the strap through the gap between the backrest posts and the backrest.

DANGER! / WARNING!

- Always make sure that the lap strap is correctly secured and adjusted prior to use.
- If a strap is too loose it could cause the user to slip down and cause serious injury.
- Check lap strap and securing components at regular intervals for any signs of fray or damage. Replace if necessary.
- When servicing, check for correct operation of the release buckle and for any signs of wear on the material or plastic brackets.
- Regular Checks/Activities:
 - As with all positioning components, there is a need for corrective adjustments as the person changes their seating position over time.
 - Check the belts regularly for correct fitting, to ensure the safety and comfort of the user.




5.0 Using the seating system

5.1 Getting in and out of the wheelchair (Transferring)

Sunrise Medical recommend that you consult your healthcare professional for assistance in developing your personal front or side transfer technique to best suit your needs and avoid any personal injury.

DANGER! / WARNING

To prevent a fall:

- Ensure controller is switched off during transfers to avoid unintentional movement. If you fail to do so you may touch the joystick and cause your system to move when you do not expect it.
- Ensure that the free wheel switch has been set to 'drive',  General manual.
- Rotate the front casters so that they point forward.
- Work with your health care professional to learn all safe methods for transfers.
- Make sure motor brakes are engaged. This keeps the system from moving when you transfer.
- It is dangerous to transfer on your own. It requires good balance and agility. Be aware that there is a point during every transfer when the seating system seat is not below you.
- Learn how to position your body and how to support yourself during a transfer.
- Have someone help you until you are sure you can do a safe transfer on your own.
- Do not stand on the footrest. Putting your full weight on the footrest may lead to wheelchair damage and to hazardous situations, including the wheelchair tipping up.
- Make sure your feet do not "hang up" or get caught in the space between the footrests.

5.2 Preparing for forward transfer

DANGER! / WARNING

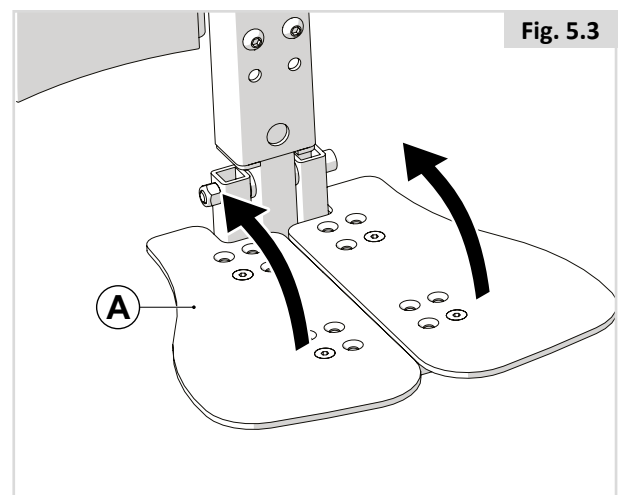
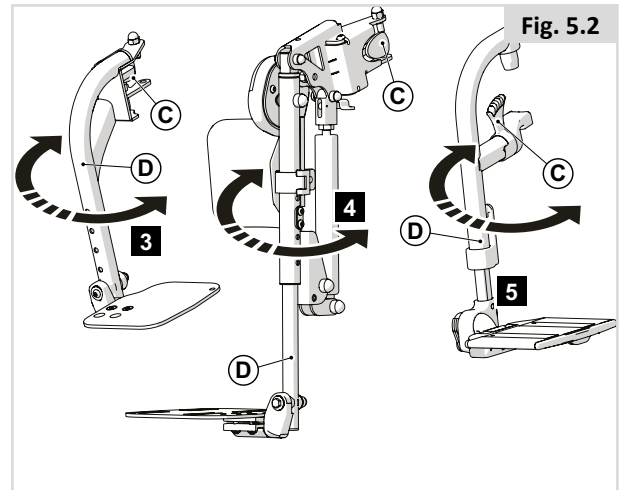
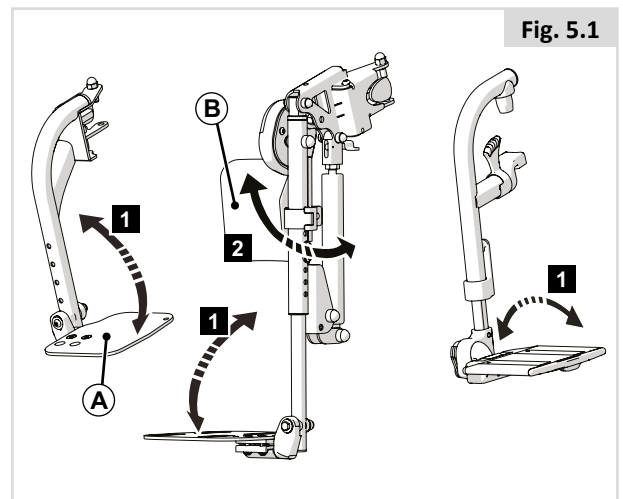
Move your wheelchair as close as possible to the seat you intend to transfer to.

Swing-away legrests (Fig 5.1 and 5.2)

1. Fold up the foot supports (A)
2. Swing the calf plates (B) to the side (if applicable)
3. Operate lever (C) to the rear
4. Swing legrests (D) to the side

Centre mount legrest (Fig 5.3)

1. Flip up (A).



5.3 Preparing for side transfer

⚠ DANGER! / WARNING

- Move your system as close as you can to the seat you are transferring to. If possible, use a transfer board.
- Transfer as far back onto the seat surface as you can. This will reduce the risk that you will miss the seat or fall.

⚠ NOTE / CAUTION!

- Some versions of the controller will need to be swung aside.
- Remove the tray before folding back the armrest.
- Do not lean on the armrest when folded back.

Flip back armrest (Fig 5.4)

1. Fold (A) to the rear.

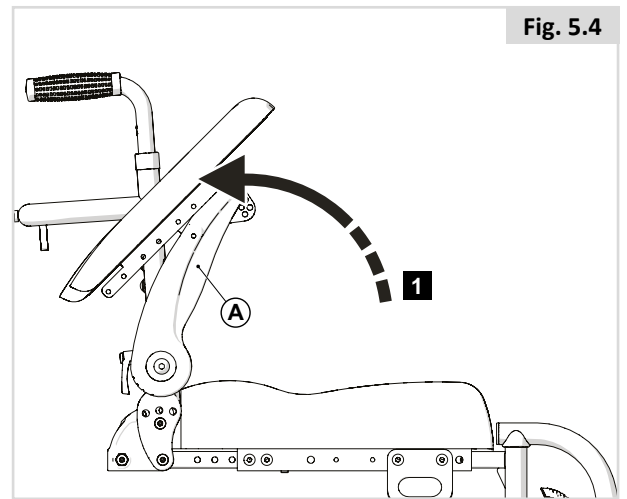
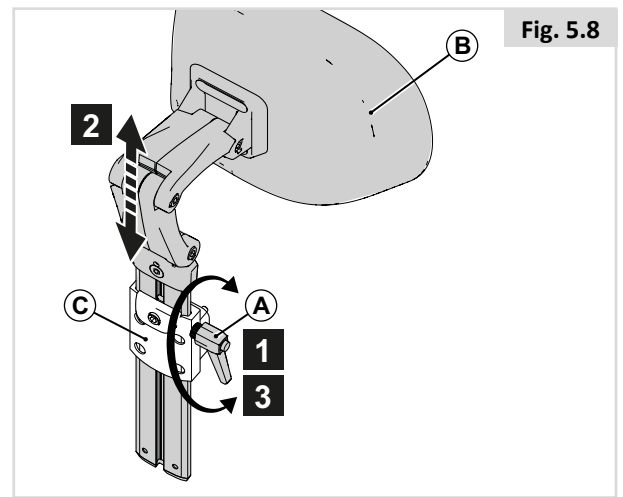


Fig. 5.4

5.4 Headrest

Removing/positioning the headrest (Fig 5.8)

1. Lift (A).
2. Slide (B) out of or into (C).
3. Push (A) down.

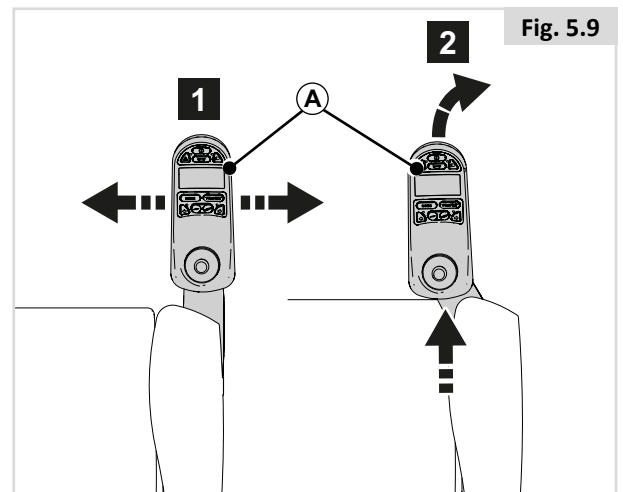


5.5 Swing-away controller bracket

Swing-away the controller bracket capsulated (Fig. 5.9).

The joystick is mounted with a mechanism that allows the joystick to be locked in two forward positions.

1. Push (A) outwards or inwards.
2. To return to forward position, push the back of the joystick forward until it locks into place (click)

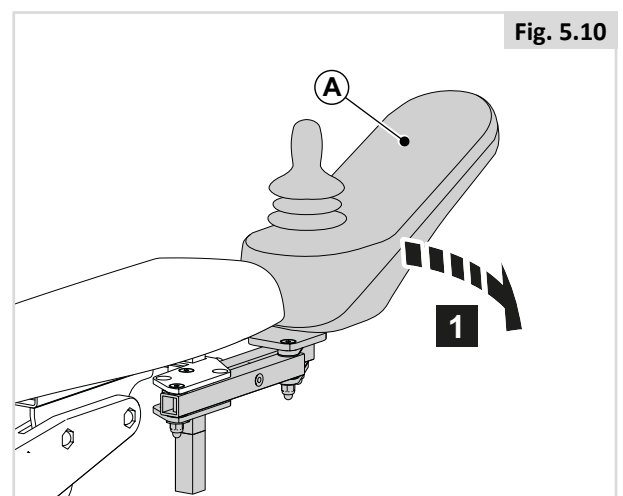


Swing-away the controller bracket (Fig. 5.10).

1. Push (A) outwards.
2. To return to forward position, push the back of the joystick forward until it locks into place (click)

NOTE / CAUTION!

Swinging back the controller bracket will allow you to pull up close to a table. Full operation of the controller remains possible



6.0 Manual and Powered seating options

6.1 Manual seating options

Zipie Manually elevating legrests knee angle (Fig 6.1)

The angle of the comfort legrests can be adjusted independently of each other.

1. Lift leg to raise legrest (A).
2. Operate lever (B) to lower legrest.

DANGER! / WARNING!

- Risk of trapping fingers! When moving the legrest up or down, do not put your fingers in the adjusting mechanism between the moving parts of the legrest.

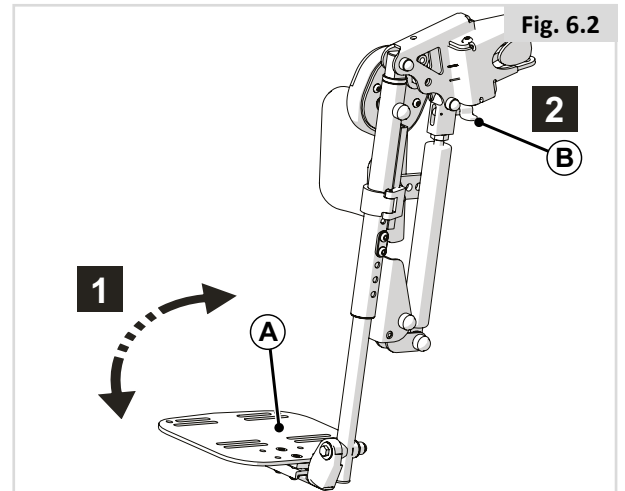
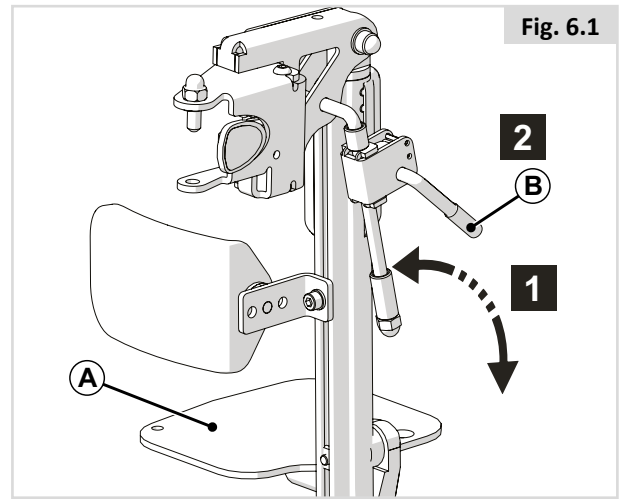
Manually elevating legrests knee angle (Fig 6.3)

The angle of the comfort legrests can be adjusted independently of each other.

1. Lift leg to raise legrest (A).
2. Operate lever (B) to lower legrest.

DANGER! / WARNING!


- Risk of trapping fingers! When moving the legrest up or down, do not put your fingers in the adjusting mechanism between the moving parts of the legrest.



6.2 (Powered) seating options

The wheelchair can be equipped by the following powered options to adjust your seating position. These options can be operated by the user without the use of tools.

Powered adjustable seating options (Fig. 6.4 - Fig. 6.6)

How to operate these powered seating options can be found in  CONTROLLER.

1. Powered tilt function
2. Powered seat elevator
3. Powered backrest recline
4. Powered elevating legrests

The wheelchair may be equipped with a feature that allows the powerchair to be driven up to 4.5kph/3mph when the seat is elevated, this feature is called C-Me. For guidance with user weight limits and recommended chair configuration when using C-Me, please refer to your Sunrise Medical authorized dealer.

DANGER!

- Use of the powered adjustable seating options may influence the stability of the wheelchair.
- Only use the powered adjustable seating options when the wheelchair is on a flat surface! Do Not attempt to operate any power seating option while positioned on an incline.
- Please stay clear of any powered actuator while the component is in motion. Sunrise power mechanisms move over large ranges of travel. Users should be aware of their surroundings while components are in motion.
- While driving this seating system in the reclined, elevated, or tilted position use caution.
- Do Not attempt to operate any power seating option while this seating system is in motion.
- Do not attempt to operate the lift or tilt power seating options around children.
- Through programming it is possible to reverse the direction of all powered seating functions, ensure you know which direction your seat is going to move before operating.
- Please be aware that the lift/tilt modules present a trap hazard. Make sure that during operation the lift/tilt modules are free from all clothing, hands, feet and other extremities, to prevent injury.
- Do not drive on ramps or slopes with the seating in the elevated position. Before attempting to climb or descend a slope, return the wheelchair to a standard seated drive position, with the backrest upright.
- This power system is designed to automatically reduce the maximum driving speed to a creep and/or C-Me mode when certain power seating limits are reached. Depending on the configuration of the chair there might be multiple creep and/or C-Me speeds.
- Before operating your chair in creep and/or C-Me mode, read all warnings and guidelines related to this feature. They will help in understanding how to reduce the risk of a fall or tip-over and how to identify environmental conditions that could affect your safety when driving while the chair is in creep and/or C-Me speed.
 1. When driving indoors or outdoors, in creep mode, it should only be used on flat, level, and hardscape surfaces.
 2. Driving in creep mode should never be attempted on uneven terrain like: gravel, grass, bumpy surfaces, uneven pavement, or hills.
 3. NEVER raise the seat when the chair is being operated in the proximity of any of the terrain types listed above, or on any uneven surface.

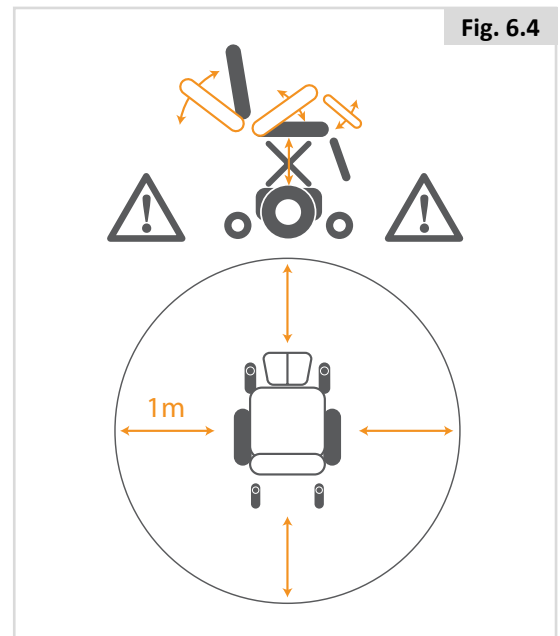


Fig. 6.4

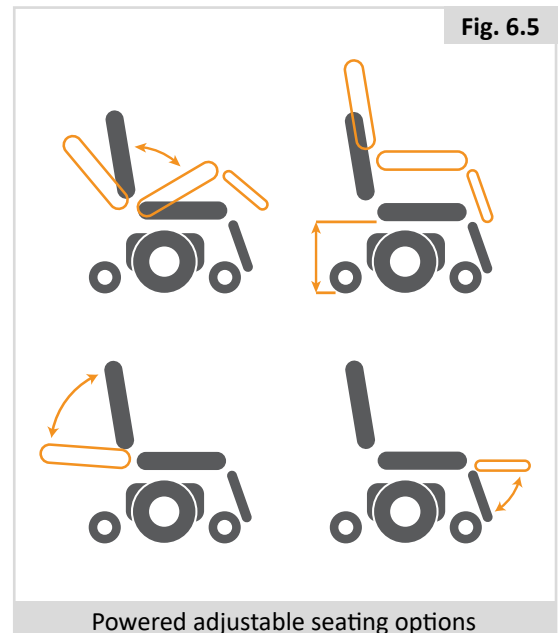


Fig. 6.5

Powered adjustable seating options

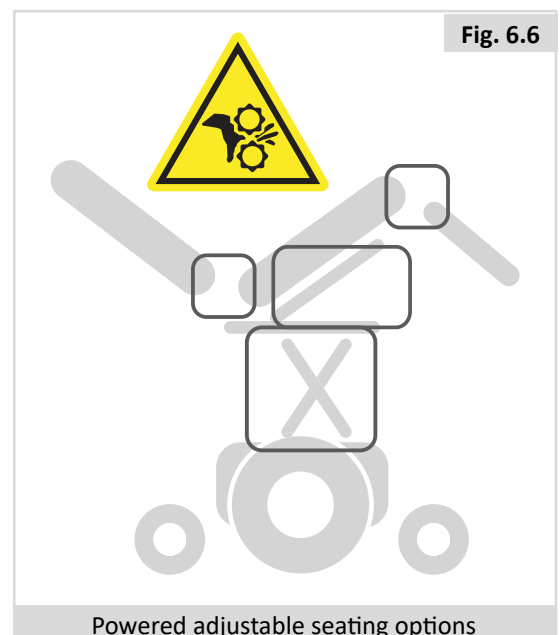


Fig. 6.6

Powered adjustable seating options

7.0 Reducing the seating system size for transportation purposes

⚠ DANGER! / WARNING!

The wheelchair can be reduced in size for transportation without a passenger. Any components of the seating system that can be detached easily should be removed. Store away such components safely so that they can not cause injury or damage, or become damaged themselves.

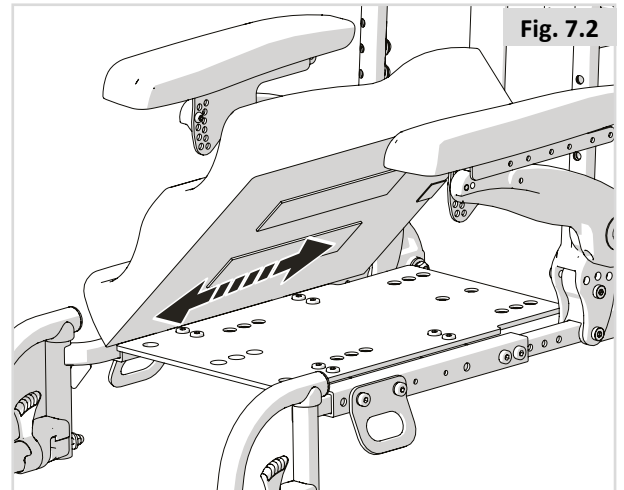
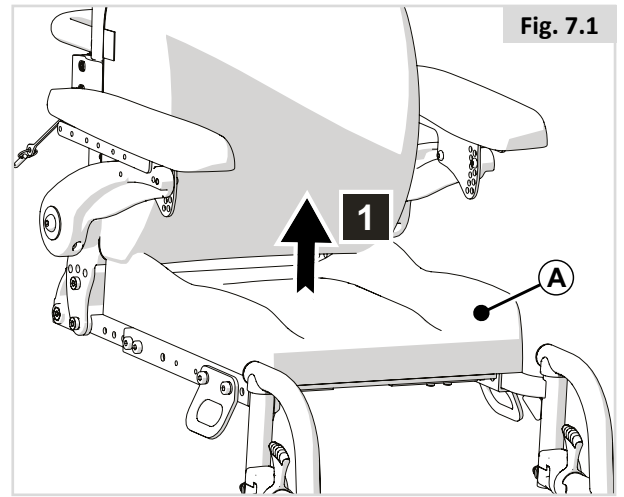
7.1 Seat cushion

Removing the seat (Fig.7.1)

1. Pull (A) upwards.

Replacing the seat (Fig 7.2)

1. When replacing, align the velcro strips with each other.



7.2 Back cushion

Removing the back cushion (Fig 7.3)

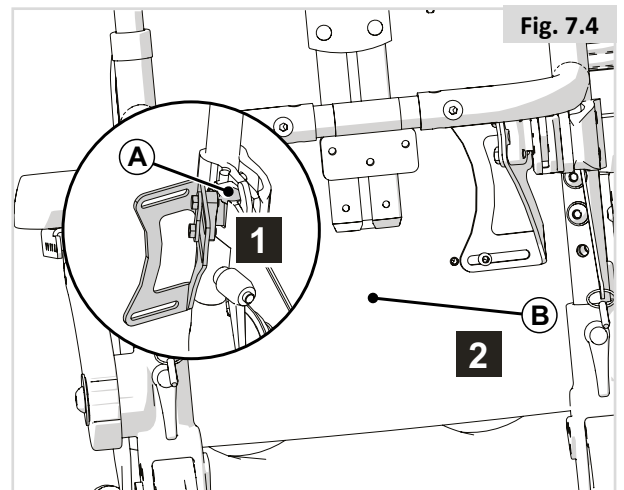
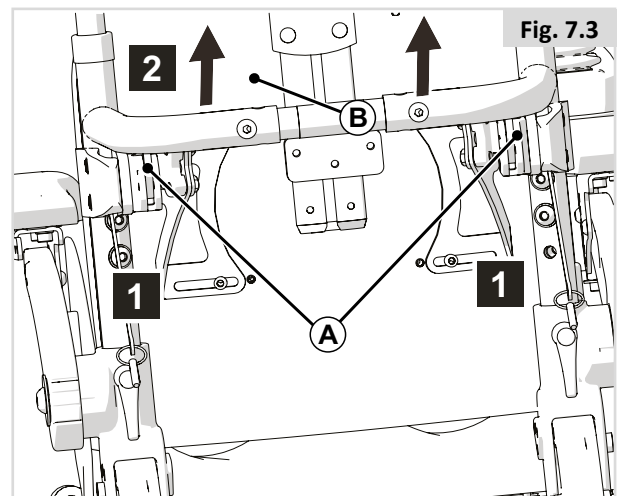
1. Push (A) forward to unlock.
2. Lift cushion (B)

Positioning the back cushion (Fig 7.4)

1. Line up (A).
2. Push back into place (B).

⚠ NOTE / CAUTION

If properly inserted the pins will 'click' into a locked position.



7.3 Swing away legrests (Fig 7.5)

Removing a swing-away legrest

1. Loosen the calf band.
2. Push the catch (A) to the rear in order to unlock the legrest.
3. Swing the legrest outwards.
4. Remove the legrest (B) from its bracket by lifting.

You should hear a click when replacing the legrest. This indicates that the legrest has locked into place.

Danger of finger entrapment (Fig.7.6)



⚠ Warning!

When the Manual Elevating swing away legrest is removed, carry the legrest at the handle intended for removing/carrying (A).

When carrying at B and at the same time releasing lever C there is a risk of finger trapping.

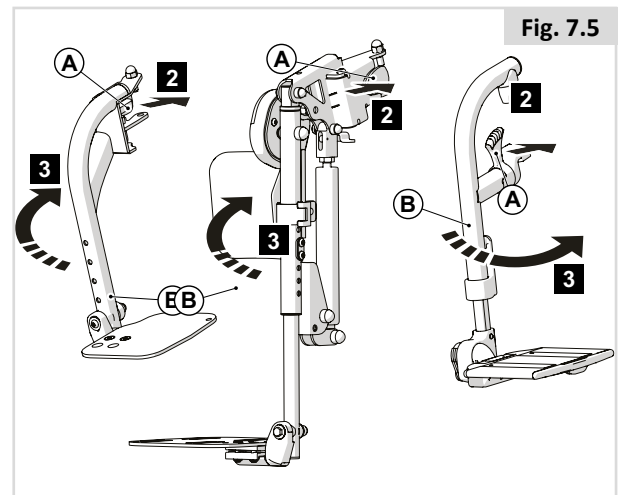


Fig. 7.5

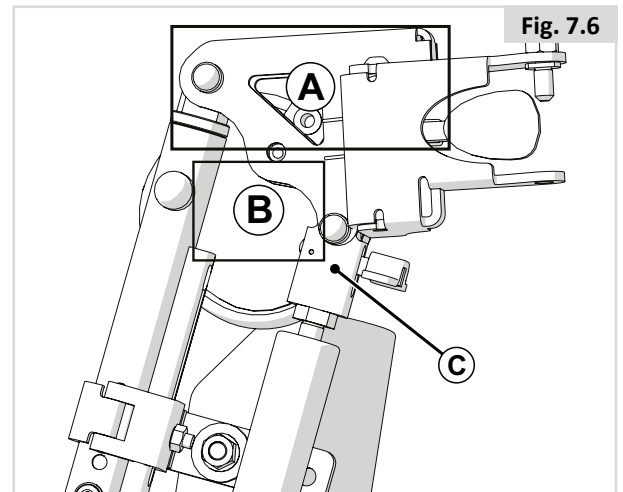


Fig. 7.6

8.0 Maintenance and cleaning

8.1 General Maintenance

- All fasteners should be checked monthly for wear, such as loose bolts or broken components.
- Loose fasteners should be re-tightened according to the installation instructions.

Please refer to the table below for needed Torques.

Note: it will be necessary to use a torque wrench.

GENERAL TORQUE SETTINGS	
DESCRIPTION	TORQUE VALUE
M3 POZI PAN	2-3 Nm
M4 POZI PAN	3-4 Nm
M5 SKT HD CAP	4-5 Nm
M5 POZI PAN	4-5 Nm
M6 HEX HD	9-10 Nm
M6 BUTT HD	9-10 Nm
M6 SKT HD CAP	9-10 Nm
M8 HEX HD	15-20 Nm
M8 SKT HD CAP	15-20 Nm
M8 SKT BUTT HD	15-20 Nm
M10 HEX HD	20-25 Nm
M10 SKT BTT HD	20-25 Nm

- Check all straps monthly for fraying, ripped seams or other indications of excessive wear damage. Discontinue use if damage is found.
- Chest straps should be replaced at the first indication of damage and/or excessive wear.
- If a broken or loose component is found, discontinue use immediately and contact your authorised Sunrise Medical supplier for replacement.
- Check all Velcro fastening straps for correct adhesion when pressed together.
- Ensure that any contamination, such as fluff, hair, etc is removed from the Velcro straps. Such contamination may affect adhesion.

8.2 Cleaning your seating system

The wheelchair should be wiped over once per week with a slightly damp, not wet, cloth and any fluff or dust that has accumulated around the actuators should be blown or dusted away.

NOTE / CAUTION!

Make sure that you dry all parts of your wheelchair if it becomes wet or damp after cleaning or if it is used in a wet or damp atmosphere.

DANGER! / WARNING!

It is important that should the wheelchair be used by more than one person it is cleaned thoroughly to ensure there is no cross infection.

8.2.2 Cleaning and inspection of your seating

DANGER! / WARNING!

Tears, dents, wearing or slackening of upholstery particularly near to metal could result in poor posture or lower levels of comfort and pressure relief.

Cleaning instructions for seating:

If there is a washing label inside the cushion cover, you can wash the cover. Follow the instructions on the washing label. Take out the foam inlays prior to washing and close the Velcro fasteners!

WARNING!

Do not use organic solvents such as thinner, benzine or white spirit.

Do not chemically clean the upholstery. Do not iron or spin-dry the upholstery.

Where upholstery cannot be removed, clean regularly to prevent build up or soiling. Clean with a damp soapy cloth however disinfectants may be used in dilution as specified by their manufacturer. Ensure surfaces are rinsed well with clean water and dried thoroughly.

8.3 Hygiene measures when being re-used:

Prior to the wheelchair being re-used, it must be carefully prepared. All surfaces which come into contact with the user must be treated with a disinfection spray.

To do this, you must use a suitable disinfectant for rapid alcohol-based disinfection of medical products and medical devices.

Please take into account the manufacturer's instructions for the disinfectant you are using.

NOTE / CAUTION!

- Do not use solvents, bleaches, abrasives, synthetic detergents, wax polishes or aerosols.
- Disinfectants may be used in dilution as specified by their manufacturer.
- Ensure surfaces are rinsed with clean water and dried thoroughly.

8.4 General cleaning instructions:

NOTE / CAUTION!

- You should remove stains on your seat as soon as possible.
- After a long period of use, you should clean the cover of your seat with a standard commercially available dry foam cleaning agent.
- You should always clean the whole surface and not just individual spots in order to avoid unattractive edges. The longer you wait the more difficult it will be to remove them.
- Avoid powerful rubbing with aqueous solutions. This will roughen up cover fabric.
- Dirt stains (eg. beer, blood, cola, red wine etc) are best removed with the dry foam cleaning agents or with a mild-action detergent.
- Please follow the respective instructions for use when treating the covers.
- The covers should be allowed to dry for at least 48 hours after cleaning with foam cleaning agents.
- Grease stains (eg. ballpoint pen, lipstick, chewing gum etc). Use a proprietary stain remover. Carefully rub the soiled location on the surface only with a clean cloth impregnated with the stain remover.
- Use only a very small quantity of stain remover.
- Test a small inconspicuous area first.
- The upholstery material must not be saturated, since the stain remover might then attack it and destroy it.
- Powerful rubbing should be avoided on the silk-printed scales, for example, the arrows on the seat plate and the scale for the seat width adjustment
- Do not use a hose or a pressure washer to clean your chair.

DANGER! / WARNING!

- Always read the label on any commercial or domestic cleaning substances.
- Always follow the instructions carefully.

8.5 Cleaning Accessories:

- All parts/ accessories such as swing away trays should be cleaned with a damp cloth.
- All lateral supports, headrest, armrests, side- guards, calf pads, lap belts and knee pads should be cleaned with a damp cloth.

8.6 Cleaning controls:

Should the control of your wheelchair become soiled or dirty, it can be wiped with a damp cloth with a dilute disinfectant until clean.

DANGER! / WARNING!

- This is important should the wheelchair be used by more than one person to ensure there is no cross infection.
- Ensure that wafer boards, joysticks (all variants), head arrays and switches (all variants) are cleaned with a mild disinfectant and a cleaning cloth to avoid any cross infection possibilities. Following removal from chair regularly wash the sip and puff mouth piece and tube to maintain cleanliness and functionality.
- Ensure control is switched off before cleaning.

8.7 Storage

To keep the upholstery and other parts of the wheelchair in good condition, store in a dry environment as close to room temperature as possible.

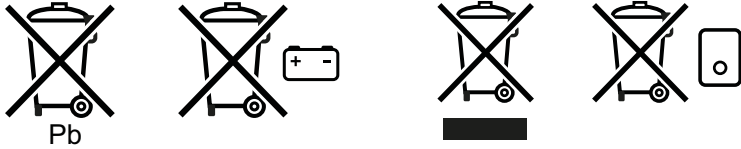
DANGER! / WARNING!

- Never store your wheelchair in direct sunlight or in a damp/ outdoor environment.
- Direct sunlight might bleach upholstery / plastic parts and cause metal parts to become hot.

9.0 Disposal

The symbols below mean that in accordance with local laws and regulations your product should be disposed of separately from household waste. When this product reaches the end of its life, take it to the local collection point designated by local authorities. The separate collection and recycling of your product at the time of disposal will help conserve natural resources and ensure that it is recycled in a manner that protects the environment.

Ensure you are the legal owner of the product prior to arranging for the product disposal in accordance with the above recommendations and national requirements.



In the following section, there is a description of the materials used on the product, in view of the disposal or recycling of the product and its packaging.

There may also be special local regulations in force with regard to disposal or recycling, these must be taken into account when disposing of your product. (This can include the cleaning or decontamination of the product prior to disposal).

Aluminium: Castor forks, wheels, side-guards for the chassis.

Steel: Fixing points, quick-release axle

Plastic: Handles, tube stoppers, castors and wheel/tyre

Packaging: Plastic bags made of soft polyethylene, cardboard

Disposal or recycling should be done through a licensed agent or authorised place of disposal. Alternatively your product may be returned to your dealer for disposal.



10.0 Technical specifications:

10.1 Applicable norms / standards

EN-ISO10993-5: 2009	Biological evaluation of medical devices.
EN 1021 1&2	Assessment of the ignitability of upholstered furniture. Ignition source: smouldering cigarette/ match flame equivalent.

10.2 Technical specifications: Zippie/Teens seating system

	Metric system values		Imperial system values & alternative	
	Minimum	Maximum	Minimum	Maximum
Seat angle adjustment				
Powered tilt with COG adjustment optional	0° - 30°		-5° - 25°	
Powered tilt with COG adjustment optional	-5° - 25°		0° - 30°	
Powered tilt with COG adjustment optional	0° - 50°		0° - 50°	
Effective seat depth	260 mm	500 mm	10.2"	19.7"
Effective seat width	280 mm	400 mm	11"	15.7"
Seat to floor height				
Filler Module (No powered tilt in space, no seat elevator)				
pos. 1 60 or 80 Ah batteries 0° seat angle	410 mm		16.1"	
pos. 2 60 or 80 Ah batteries 0° seat angle	430 mm		16.9"	
pos. 3 60 or 80 Ah batteries 0° seat angle	450 mm		17.7"	
pos. 4 60 or 80 Ah batteries 0° seat angle	470 mm		18.5"	
Powered tilt & seat elevator (300 mm)				
pos. 1 60 or 80 Ah batteries 0° seat angle	N/A	N/A	N/A	N/A
pos. 2 60 or 80 Ah batteries 0° seat angle	N/A	N/A	N/A	N/A
pos. 3 60 or 80 Ah batteries 0° seat angle	450 mm	750 mm	17.7"	29.5"
pos. 4 60 or 80 Ah batteries 0° seat angle	470 mm	770 mm	18.5"	30.3"
Backrest angle				
Tool angle adjustable back	86°,90°,94°,98°,102°,106°		86°,90°,94°,98°,102°,106°	
Powered recline	85° - 120°		85° - 120°	
Backrest height (seatplate to top of back cushion)	380 mm	530 mm	15.0"	20.9"
Flip back armrest				
Armrest pad height (seatplate to top armpad)	190 mm	350 mm	7.5"	13.8"
Armrest pad length adjustment	90 mm		3.5"	
Armrest pad angle (vertical)	0° - 15°		0° - 15°	
Centre Mount Legrest Zippie				
Lower leg length (from seatplate)	180 mm	280 mm	7.1"	11.0"
Knee angle	80°		80°	
Ankle angle	+7° - -10°		+7° - -10°	
Centre Mount Legrest Teens				
Lower leg length (from seatplate)	290 mm	470 mm	11.4"	18.5"
Knee angle	90°		90°	
Ankle angle	+7° - -10°		+7° - -10°	
Swing away LIFE legrests				
Lower leg length (from seatplate)	320 mm	430 mm	12.6"	16.9"
Knee angle	70/80°		70/80°	
Ankle angle	+20° - -20°		+20° - -20°	

	Metric system values		Imperial system values & alternative	
	Minimum	Maximum	Minimum	Maximum
Swing away LIFE high mount legrests				
Lower leg length (from seatplate)	160 mm	480 mm	6.3"	18.9"
Knee angle	60° - 90°		60° - 90°	
Ankle angle	+50° - -50°		+50° - -50°	
Swing away UNI legrests				
Lower leg length (from seatplate)	350 mm	480 mm	13.8"	18.9"
Knee angle	75°		75°	
Ankle angle	+30° - -30°		+30° - -30°	
Swing away Zippie legrests				
Lower leg length (from seatplate)	160 mm	270 mm	6.3"	10.6"
Knee angle	90°		90°	
Ankle angle	+50° - -50°		+50° - -50°	
Swing away Zippie legrests, manual elevating				
Lower leg length (from seatplate)	170 mm	270 mm	6.7"	10.6"
Knee angle	25° - 87°		25° - 87°	
Ankle angle	+50° - -50°		+50° - -50°	
Swing away Salsa legrests, manual elevating				
Lower leg length (from seatplate)	410mm	510mm	16.1"	20.1"
Knee angle	18° - 75°		18° - 75°	
Ankle angle	+50° - -50°		+50° - -50°	
SEDEO Multi-Position headrest mount				
Headrest height adjustment range	170 mm		6.7"	
Headrest depth adjustment range	200 mm		7.9"	
Headrest angle (vertical)	-45° - +45°		-45° - +45°	
Headrest width	-20 mm	20 mm	-0.8"	+0.8"
Lateral Supports				
Lateral support width adjustment range	90 mm		3.5"	
Lateral support height adjustment range	170 mm		6.7"	
Lateral support depth adjustment range	45 mm		1.8"	

11.0 Guarantee / Warranty

THIS GUARANTEE DOES NOT AFFECT YOUR LEGAL RIGHTS IN ANY WAY.

Sunrise Medical* provides a guarantee, as set out in the warranty conditions, for wheelchairs to its customers covering the following.

Warranty conditions:

1. Should a part or parts of the wheelchair require repair or replacement as a result of a manufacturing and/or material fault within 24 months or for frame and cross-braces within 5 years after delivery to the customer, then the affected part or parts will be repaired or replaced free of charge. The warranty will only cover manufacturing defects
2. To enforce the warranty, please contact Sunrise Medical Customer Service with the exact details of the nature of the difficulty.
Should you be using the wheelchair outside the area covered by the Sunrise Medical customer service agent, repairs or replacement will be carried out by another agency as designated by the manufacturer. The wheelchair must be repaired by a Sunrise Medical designated Customer Service agent, (dealer).
3. For parts, which have been repaired or exchanged within the scope of this warranty, we provide a warranty in accordance with these warranty conditions for the remaining warranty period for the wheelchair in accordance with point 1).
4. For original spare parts which have been fitted at the customer's expense, these will have a 12 months guarantee, (following the fitting), in accordance with these warranty conditions.
5. Claims from this warranty shall not arise, if a repair or replacement of a wheelchair or a part is required for the following reasons:
 - a. Normal wear and tear, which include batteries, armrest pads, upholstery, tyres, brakes shoes, etc.
 - b. Any overloading of the product, please check the EC label for maximum user weight.
 - c. The product or part has not been maintained or serviced in accordance with the manufacturer's recommendations as shown in the user instructions and/or the service instructions.
 - d. Accessories have been used which are not specified as original accessories.
 - e. The wheelchair or part having been damaged by neglect, accident or improper use.
 - f. Changes/modifications have been made to the wheelchair or parts, which deviate from the manufacturer's specifications.
 - g. Repairs have been carried out, before our Customer Service has been informed of the circumstances.
6. This guarantee is subject to the law of the country in which the product was purchased from Sunrise Medical"

* Means the Sunrise Medical facility from which the product was purchased.

Additional Notes For Australia Only:

- i. For goods provided by Sunrise medical Pty Ltd in Australia, our goods come with a guarantee by Sunrise Medical that cannot be excluded under Australian Consumer Law.
- ii. You are entitled to a replacement or refund for a major failure and for compensation for any foreseeable loss or damage.
- iii. You are also entitled to have the goods repaired or replaced if the goods fail to be of acceptable quality and the failure does not amount to a major failure.
- iv. The benefits to you given by this warranty are in addition to your other rights and remedies under a law in relation to the goods to which the warranty relates.

Sunrise Medical S.r.l.
Via Riva, 20 – Montale
29122 Piacenza
Italia
Tel.: +39 0523 573111
Fax: +39 0523 570060
www.SunriseMedical.it

Sunrise Medical AG
Erlenauweg 17
CH-3110 Münsingen
Schweiz/Suisse/Svizzera
Fon +41 (0)31 958 3838
Fax +41 (0)31 958 3848
www.SunriseMedical.ch

Sunrise Medical AS
Delitoppen 3
1540 Vestby
Norge
Telefon: +47 66 96 38 00
post@sunrisemedical.no
www.SunriseMedical.no

Sunrise Medical AB
Neogatan 5
431 53 Mölndal
Sweden
Tel.: +46 (0)31 748 37 00
post@sunrisemedical.se
www.SunriseMedical.se

MEDICCO s.r.o.
H – Park, Heršpická 1013/11d,
639 00 Brno
Czech Republic
Tel.: (+420) 547 250 955
Fax: (+420) 547 250 956
www.medicco.cz
info@medicco.cz
Bezplatná linka 800 900 809

Sunrise Medical Aps
Mårkærvej 5-9
2630 Taastrup
Denmark
+45 70 22 43 49
info@sunrisemedical.dk
Sunrisemedical.dk

Sunrise Medical Australia
11 Daniel Street
Wetherill Park NSW 2164
Australia
Ph: +61 2 9678 6600
Email: enquiries@sunrisemedical.com.au
www.SunriseMedical.com.au

Sunrise Medical
North American Headquarters
2842 Business Park Avenue
Fresno, CA, 93727, USA
(800) 333-4000
(800) 300-7502
www.SunriseMedical.com



Sunrise Medical GmbH
Kahlbachring 2-4
69254 Malsch/Heidelberg
Deutschland
Tel.: +49 (0) 7253/980-0
Fax: +49 (0) 7253/980-222
www.SunriseMedical.de

Sunrise Medical
Thorns Road
Brierley Hill
West Midlands
DY5 2LD
England
Phone: 0845 605 66 88
Fax: 0845 605 66 89
www.SunriseMedical.co.uk

Sunrise Medical S.L.
Polígono Bakiola, 41
48498 Arrankudiaga – Vizcaya
España
Tel.: +34 (0) 902142434
Fax: +34 (0) 946481575
www.SunriseMedical.es

Sunrise Medical Poland
Sp. z o.o.
ul. Elektronowa 6,
94-103 Łódź
Polska
Telefon: + 48 42 275 83 38
Fax: + 48 42 209 35 23
E-mail: pl@sunrisemedical.de
www.Sunrise-Medical.pl

Sunrise Medical B.V.
Groningehaven 18-20
3433 PE NIEUWEGEIN
The Netherlands
T: +31 (0)30 – 60 82 100
F: +31 (0)30 – 60 55 880
E: info@sunrisemedical.nl
www.SunriseMedical.nl

Sunrise Medical HCM B.V.
Vossenbeemd 104
5705 CL Helmond
The Netherlands
T: +31 (0)492 593 888
E: customerservice@sunrisemedical.nl
www.SunriseMedical.nl
www.SunriseMedical.eu
(International)

Sunrise Medical S.A.S
ZAC de la Vrillonnerie
17 Rue Mickaël Faraday
37170 Chambray-Lès-Tours
Tel : + 33 (0) 247554400
Fax : +30 (0) 247554403
www.sunrisemedical.fr

