

# International TiLite T-Series Order Form

Effective January 7, 2022 (New Items in Red)

DUAL-TUBE RIGID FRAME

Page 1 of 8

DEALER INFORMATION		RTS INFORMATION	
Dealer:	Account #:	RTS:	Phone:
PO:	Ordered By:	Email:	
Email:		SHIP TO INFORMATION	
Mark For:	User Weight:	Name:	Ship Via:
TiLite Sales Rep:		Address:	
TiLite Information:	Promo Code:	City:	State: Zip:
Ship Date:	Order #:	Phone:	Fax:


More options and frame modifications may be available through our Creative Mobility Division! Please contact customer service for details or [click here](#) to view options.

Please Email to the Permobil Manual Customer Service Team at: [TiLite\\_Global\\_Support@Permobil.com](mailto:TiLite_Global_Support@Permobil.com)

## FRAME STYLE

- ATFS1  **Aero T Aluminum Frame** (Full Adjustability. 265 Pound Weight Limit. For Rear Seat Width A and Seat Depth B of 15" or greater, use K0005. For Rear Seat Width A and Seat Depth B of less than 15", use E1235.).....**£2,125**
- TAFS1  **TRA Titanium Frame** (Full Adjustability. 265 Pound Weight Limit. For Rear Seat Width A and Seat Depth B of 15" or greater, use K0005. For Rear Seat Width A and Seat Depth B of less than 15", use E1235.).....**£2,891**
- TRFS1  **TR Titanium Frame Ultimate TiFIT** (Minimal Adjustability. 265 Pound Weight Limit. For Rear Seat Width A and Seat Depth B of 15" or greater, use K0005. For Rear Seat Width A and Seat Depth B of less than 15", use E1235.).....**£3,083**
- THDR1  **Heavy Duty Frame** (Not Available with TR Titanium Frame. 350 Pound Weight Limit. No charge when 20" Rear Seat Width A and 20" Seat Depth B are selected. Includes Tension Adjustable by Straps Back Upholstery. Requires Folding Aluminum Adjustable Height Backrest, Billet Aluminum Front Wheels, Shadow or Spinergy SPOX Rear Wheels. LX Rear Wheels only available with 0 or 2 degree camber. Not available with SuperLite Edition, Slipstream Fork, Velcro Adjustable Upholstery, Open Loop Footrest, V-Front Taper or Glide™ Forks.).....**£324**
- TQST1  **Q'Straint Adaptable Frame** (350 Pound Weight Limit. No charge when 20" Rear Seat Width A and 20" Seat Depth B are selected. Includes Tension Adjustable by Straps Back Upholstery. Requires Folding Aluminum Adjustable Height Backrest, Billet Aluminum Front Wheels, Shadow or Spinergy SPOX Rear Wheels. LX Rear Wheels only available with 0 or 2 degree camber. Not available with SuperLite Edition, Slipstream Fork, Velcro Adjustable Upholstery, Open Loop Footrest, V-Front Taper or Glide™ Forks.).....**£324**
- TRFR1  **Reinforced Frame** (No charge when 20" Rear Seat Width A and 20" B Seat Depth are selected.).....**£253**

## FRAME FINISHES

- TFF1  Satin (Available with Titanium Frame only).....**STD**
  - SCBT1  Satin Finish Buffing Pads.....**£11**
  - TFF3  Tattooed Titanium™ (Tattoos on front frame tubes. Titanium frame finished in Satin. Tattoos will be trimmed and adjusted to fit your frame.).....**£257**
  - TFF45  Need for Speed
  - TFF43  Mosaic
  - TFF44  Flower Garden
- 
- High Gloss Paint**  TFF8 High Gloss Black  TFF10 TiLite Red  TFF29 Neon Pink
  - Metallic Paint**  TFF14 Ocean Blue Metallic  TFF15 Tangerine Metallic  TFF30 Acid Green Metallic
  - Pearlescent Paint**  TFF17 Midnight Blue Pearl  TFF18 White Pearl
  - Matte Paint**  TFF19 Black Lava  TFF27 Titanium Grey
  - Candy Paint**  TFF22 Ruby Red  TFF23 Azure Blue  TFF25 Electric Plum
  - Matte Textured Paint**  TFF40 Hyper Blue  TFF41 Flame Orange  TFF42 OD Green.....**STD**

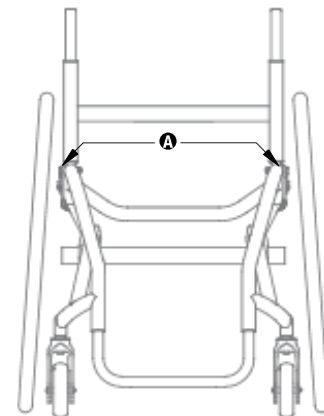
## COLOR ANODIZE PACKAGE

(Color Anodize Package includes: Caster Mount, Caster Fork, and Caster Caps. If no anodize color is selected, the default will be black.)

- TANO1 Black.....**STD**
- TANO12 Gold  TANO15 Green  TANO13 Purple  TANO14 Orange  TANO10 Blue  TANO11 Red.....**£40**

## TiFit: TAILORED INDIVIDUALIZED FRAME

- REAR SEAT WIDTH A** Measure from outside of seat tube at back post to the outside of the opposite seat tube at back post.
- TSW1  12"  13"  14"  15"  16"  17"  18"  19".....**STD**
  - TSW2  20" (Greater than 20" size avail. through CMD).....**£368**
- FRONT SEAT WIDTH (SEAT TAPER) T** Measure from inside of front frame tube to inside of opposite front frame tube. (Required with V-Front End V. Not Available with Standard Front End L.)
- TFSW1  No Taper.....**STD**



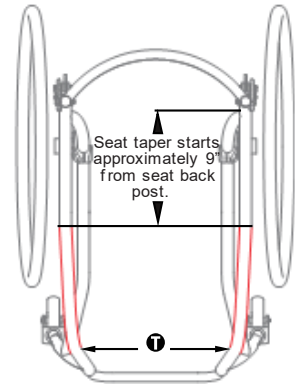
Permobil Ltd. Unit 7, Polaris Centre, 41 Brownfields, Welwyn Garden City, Herts, AL7 1AN  
 Email: [Customer\\_support\\_uk@permobil.com](mailto:Customer_support_uk@permobil.com)  
 Phone: +44 (0)1484 722 888  
 VAT No: 780130457  
 Company Reg. No: 4284728

# International TiLite T-Series Order Form

- TFSW2  1" Taper (3" Narrower than Rear Seat Width A. Includes Tension Adjustable by Straps Seat Upholstery.).....**£209**
- TFSW4  2" Taper (4" Narrower than Rear Seat Width A. Includes Tension Adjustable by Straps Seat Upholstery.).....**£209**

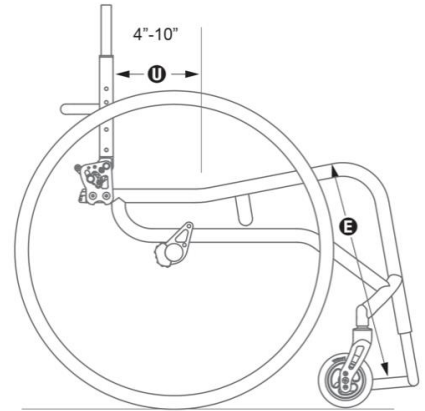
**SEAT DEPTH B** Measure from front of back post to the front edge of seat sling. Frame bend will start .5" in front of seat sling unless Custom Frame Depth is specified, or the combination of specifications affect the rolling dynamics of the chair.

- TSD1  12"  13"  14"  15"  16"  17"  18"  19".....**STD**
- TSD2  20".....**£388**
- TSD3  Custom Frame Depth: \_\_\_\_\_" Frame Depth Longer or Shorter Than Seat Depth (Measure from front of seat sling to beginning of frame bend. Ranges from 0.25" to 3" and can be given as specific as 1/4" increments. A negative Custom Frame Depth or specified above 3" may be available through our Creative Mobility Division. A Custom Frame Depth of 20" will have an additional charge.).....**NCO**



**ERGONOMIC SEAT U** Measure from front of back post to beginning of upward bend of seat tube.

- TERG1  TR Ergonomic Seat (Not available with Tension Adjustable Bolt On Seat Upholstery)  
 5" (12.7cm)  6" (15.2cm)  7" (17.8cm)  8" (20.3cm)  9" (22.9cm).....**£306**
- TERG2  Aero T and TRA Ergonomic Seat (Center of Gravity adjustment may be affected by this option. Not available with V-Front or Seat Taper, Seat Back that Locks When Folded, Desk Arms, Depth Adjustable Backrests, Fold Down Rigid Sideguards, Fendered Adjustable Sideguards, Solid Seat, Tension Adjustable Bolt On Seat Upholstery, or the Curve cushion.)  
 6" (15.2cm) (Minimum Seat Depth B 12")  7" (17.8cm) (Minimum Seat Depth B 12")  
 8" (20.3cm) (Minimum Seat Depth B 13") .....**£306**



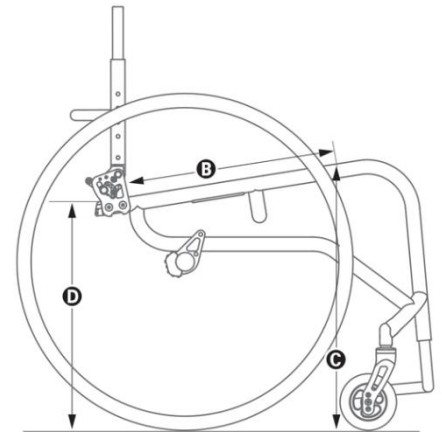
**FRONT SEAT HEIGHT C** Measure from floor to top of seat tube at front edge of seat sling.

- TFSH1  15" (38.1cm)  16" (40.6cm)  16.5" (41.9cm)  17" (43.2cm)  17.5" (44.5cm)  
 18" (45.7cm)  18.5" (47cm)  19" (48.3cm)  19.5" (49.5cm)  20" (50.8cm)  
 20.5" (52.1cm)  21" (53.3cm).....**STD**

**REAR SEAT HEIGHT D** Measure from floor to top of seat tube at back post.

Rear Wheel Size	Rear Seat Height
20"	12.5"-20" (31.8-53.3 cm)
22"	13.5"-20" (34.3-53.3 cm)
24"	14.5"-20" (15" on AeroT/TRA) (36.8-53.3 cm)
25"	15.0"-20" (38.1-53.3 cm)
26"	15.5"-20" (38.1-53.3 cm)

- TRSH1  13" (33cm)  13.5" (34.3cm)  14" (35.6cm)  14.5" (36.8cm)  15" (38.1cm)  
 15.5" (39.4cm)  16" (40.6cm)  16.5" (41.9cm)  17" (43.2cm)  17.5" (44.5cm)  
 18" (45.7cm)  18.5" (47cm)  19" (48.3cm)  19.5" (49.5cm)  20" (50.8cm) ..  
.....**STD**



**FRONT ANGLE L** Measure from frame front to floor.

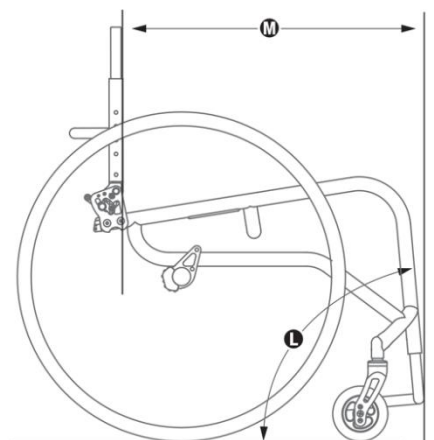
- TFA1  70°  75°  80°  85° (Not available with 6" Front Wheels.)  90° (Not available with 5" or 6" Front Wheels.).....**STD**
- TFA2  Overall Frame Length **M** \_\_\_\_\_" Measure from front of backrest to Front Edge of Footrest.....**NCO**

**TiFit: TAILORED INDIVIDUALIZED FRAME**

**SEAT TO FOOTREST E** Measure from front edge of seat sling to top rear of footrest.

- Standard Footrests** Measurement must be at least 2" shorter than Front Seat Height C.  
 13.5" (34.3cm)  14" (35.6cm)  14.5" (36.8cm)  15" (38.1cm)  15.5" (39.4cm)  16" (40.6cm)  
 16.5" (41.9cm)  17" (43.2cm)  17.5" (44.5cm)  18" (45.7cm)  18.5" (47cm)  19" (48.3cm)

- TFTR3  Angle Adjustable Footrest.....**STD**
- TFTR1  Titanium Footrest w/Flat ABS Cover.....**£145**
- TFTR2  Titanium Open Loop Footrest.....**£194**
- TFTR12  Flip-Back Footrest (Not available with ABS Cover with 2" Sides or Front Roller.).....**£160**
- High Mount Footrest**  
 7"-9"  9"-11"  11"-13" Set at \_\_\_\_\_ (Use 1/2" increments)
- TFTR4  Angle Adjustable High Mount Footrest.....**£75**



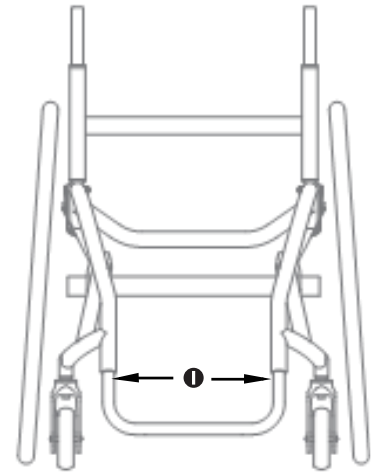
# International TiLite T-Series Order Form

**FOOTREST WIDTH I** or **V** Select either a Standard Front End I if no Seat Taper T is selected or a V-Front End V if a Seat Taper T is selected.

**STANDARD FRONT END I** Find your Rear Seat Width A in the Chart below and select one of the options to the right. Measure from inside of front frame tube to inside of opposite front frame tube.

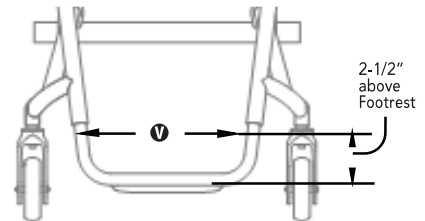
TFE1  **NO V-Front Taper**.....**STD**

REAR SEAT WIDTH A <i>(Outside Measurement)</i>	FOOTREST WIDTH I		
	No Taper <i>(2" Narrower than Rear Seat Width)</i>	2" Taper <i>(4" Narrower than Rear Seat Width)</i>	4" Taper <i>(6" Narrower than Rear Seat Width)</i>
12"	<input type="checkbox"/> 10"	<input type="checkbox"/> 8"	
13"	<input type="checkbox"/> 11"	<input type="checkbox"/> 9"	
14"	<input type="checkbox"/> 12"	<input type="checkbox"/> 10"	<input type="checkbox"/> 8"
15"	<input type="checkbox"/> 13"	<input type="checkbox"/> 11"	<input type="checkbox"/> 9"
16"	<input type="checkbox"/> 14"	<input type="checkbox"/> 12"	<input type="checkbox"/> 10"
17"	<input type="checkbox"/> 15"	<input type="checkbox"/> 13"	<input type="checkbox"/> 11"
18"	<input type="checkbox"/> 16"	<input type="checkbox"/> 14"	<input type="checkbox"/> 12"
19"	<input type="checkbox"/> 17"	<input type="checkbox"/> 15"	<input type="checkbox"/> 13"
20"	<input type="checkbox"/> 18"	<input type="checkbox"/> 16"	<input type="checkbox"/> 14"



**V-FRONT END V** Measure from inside of front frame tube to inside of opposite front frame tube 2-1/2" above footrest. *(Titanium Footrests have 1" of adjustment up and down. Not available with Ergonomic Seat frames. 1/2" increment settings available through Creative Mobility Division)*

TFE2  **V-Front Taper**.....**£85**  
 9" (22.9cm)     10" (25.54cm)     11" (27.9cm)  
 12" (30.5cm)     13" (33cm)     14" (35.6cm)  
 15" (38.1cm)



**BACK UPHOLSTERY**

- TBUP2  **Velcro Adjustable** *(Not available with Fold-Down Push Handles.)*.....**STD**  
**Tension Adjustable by Straps** *(Required with Fold-Down Push Handles.)*  
 TBUP3  **Padded Nylon**.....**£82**  
 TBUP5  **AIR Breathable Upholstery**  
*(Not available with Ultrasuede or NiteLite Backrest Stripe.)*.....**£145**  
 TUPC3 **Ultrasuede Backrest Stripe**  **Black**.....**£78**  
 TBUP0  **Omit Back Upholstery**.....**NCO**

# International TiLite T-Series Order Form

**TiFit: TAILORED INDIVIDUALIZED FRAME**

**SEAT BACK TYPE/PUSH HANDLES/SEAT BACK HEIGHT F** Measure from top of back post to top of seat tube at rear of frame.

- TSB1  Folding Aluminum Adjustable Height Back (Required for Heavy Duty Frame.).....**STD**
- TSB2  Folding Titanium Adjustable Height Back and Rounded Rigidizer Bar (Titanium back will match Frame Finish. Not available with Bolt-On Push Handles.).....**£145**
- TSB15  Non-Folding, Fixed Height Titanium with Rounded Rigidizer Bar (Not Available with Aero T or TRA. Titanium back will match Frame Finish. Not available with Push Handles.).....**£209**

**TISHAFT™ BACK RELEASE BARS** (Not available with Non-Folding, Fixed Height Titanium Back.)

- TSB3  Aluminum.....**STD**
- TSB5  New 3k Weave Carbon Fiber.....**£52**

**PUSH HANDLES**

- TSB6  Integrated Push Handles.....**NCO**
- TSB7  Integrated Fold-Down Push Handles (Requires Tension Adjustable by Straps Back Upholstery.).....**£85**
- TSB8  Bolt-On Push Handles (Includes 4" Deep Backrest Rigidizer Bar. Not available with Ti Back.).....**£145**
- TSB9  Bolt-On Height-Adjustable Push Handles (Includes 4" Deep Backrest Rigidizer Bar. Not available with Ti Back.).....**£249**

**FOLDING SEAT BACK HEIGHT F** (TSB1 and TSB2)

Push Handles (Selected Above)	Short	Medium	Tall	Set at: (Use 1/2" increments)
None/ Bolt-On	<input type="checkbox"/> 9.5"-12.5"	<input type="checkbox"/> 13"-17.5"	<input type="checkbox"/> 17"-21.5"	Set at: _____
Integrated	<input type="checkbox"/> 11.5"-13.5"	<input type="checkbox"/> 14.5"-17.5"	<input type="checkbox"/> 18.5"-21.5"	Set at: _____
Integrated Fold-Down	<input type="checkbox"/> 14"-16.5"	<input type="checkbox"/> 15"-19.5"	<input type="checkbox"/> 19.5"-22"	Set at: _____

**NON-FOLDING, FIXED-HEIGHT F TITANIUM SEAT BACK** with Rounded Rigidizer Bar (TSB15) (Not Available on Aero T or TRA. Titanium back will match Frame Finish. Required for fixed Side Guards. Not available with Swing Away Tubular or Swing Away - Flip Back Tubular Armrests and Integrated Push Handles, Integrated Fold-Down Push Handles or Bolt-On Height Adjustable Push Handles.)

- 5" (12.7cm)  5.5" (14cm)  6" (15.2cm)  6.5" (16.5cm)  7" (17.8cm)  7.5" (19.1cm)  8" (20.3cm)
- 8.5" (21.6cm)  9" (22.9cm)  9.5" (24.1cm)  10" (25.4cm)  10.5" (26.7cm)  11" (27.9cm)  11.5" (29.2cm)
- 12" (30.5cm)  12.5" (31.8cm)  13" (33cm)  13.5" (34.3cm)  14" (35.6cm)  14.5" (36.8cm)  15" (38.1cm)
- 15.5" (39.4cm)  16" (40.6cm)  16.5" (41.9cm)  17" (43.2cm)  17.5" (44.5cm)  18" (45.7cm)  18.5" (47cm)
- 19" (48.3cm)  19.5" (49.5cm)  20" (50.8cm)

**AVAILABLE ON ALL BACKS**

- TSB11  Backrest that Locks when Folded (Not available with Ergonomic Seat.).....**STD**
- TSB12  4" Deep Backrest Rigidizer Bar (Not available with a Non-Folding, Fixed Height Titanium Seat Back Type. 4" Deep Rigidizer Bar is NOT a rounded style rigidizer bar.).....**NCO**

**SEAT BACK ANGLE G** Measure angle from front of back post to floor.

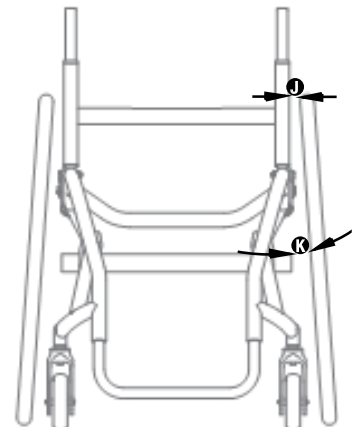
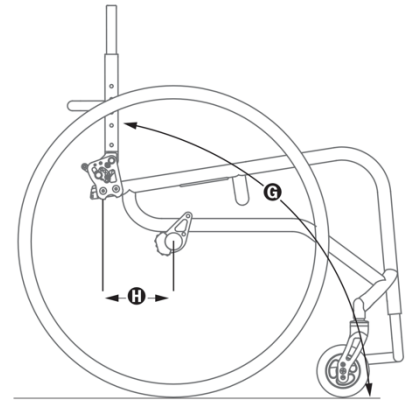
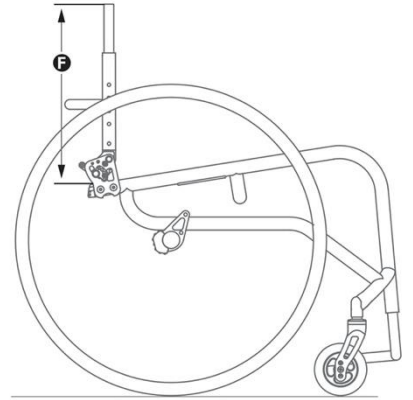
- TSBA1 **Folding Back**  
 80°  83°  86°  89°  92°  95°  98°  101°.....**STD**
- TSBA1 **Non-Folding Back**  
 80°  81°  82°  83°  84°  85°  86°  87°  88°  89°  90°  
 91°  92°  93°  94°  95°  96°  97°  98°  99°  100°  101°.....**NCO**

**CENTER OF GRAVITY H** Measure from front of back post at the seat tube to the center of the rear axle. If no center of gravity is selected, chair will ship with the center of gravity in the rearward-most position.

- TCOG1  1" (2.5cm)  1.25" (3.2cm)  1.5" (3.8cm)  1.75" (4.4cm)  2" (5.1cm)  
 2.25" (5.7cm)  2.5" (6.4cm)  2.75" (7cm)  3" (7.6cm)  3.25" (8.3cm)  
 3.5" (8.9cm)  3.75" (9.5cm)  4" (10.2cm)  4.25" (10.8cm)  4.5" (11.4cm)  
 4.75" (12.1cm)  5" (12.7cm).....**STD**

**REAR WHEEL SPACING J /PLUGS** Measure from outside of seat back post to inside of rear tire. TRA 0.75" Rear Wheel Spacing not available with 0° or 2° Camber K. Ergonomic Seat selection may limit available center of gravity.

- TRWS1  0.75"  1"  1.25".....**STD**
- TCBR12  Adjustable Rear Wheel Spacing Camber Plugs.....**STD**
- TCBR9  Additional Spacers to Increase Rear Wheel Spacing.....**NCO**
- TCBR11  Zero Play Aluminum Camber Plugs (Not available with Power Adaptable Frame or more than 6° of Camber K.).....**NCO**



# International TiLite T-Series Order Form

## CAMBER K /CAMBER TUBES

TCBR1	<input type="checkbox"/> 0° <input type="checkbox"/> 2° <input type="checkbox"/> 4° <input type="checkbox"/> 6° (8° of Camber K may be available through our Creative Mobility Division.)	STD
TCBR15	<input type="checkbox"/> Aluminum Camber Tube	STD
TCBR3	<input type="checkbox"/> Titanium Camber Tube (Not available with Power Adaptable Frame.)	£145

## SEAT UPHOLSTERY

TSUP1	<input type="checkbox"/> Tension Adjustable Bolt On (Not available with Ergonomic Seat or Tapered Seat T. Black only.)	STD
TSUP2	<input type="checkbox"/> Tension Adjustable by Straps (Standard with Ergonomic Seat and FSW (Seat Taper) T of 1", 2" or 3". Black upholstery only.)	£127
TSUP8	<input type="checkbox"/> Aluminum Solid Seat (Not available with 10" or 11" Rear Seat Width A, Ergonomic Seat U requires CMD 016)	£209
TSUP0	<input type="checkbox"/> Omit Seat Upholstery	NCO

## SEAT CUSHION (Cushions & Backrest are not available on EZ-Ti for UK customers these will be ordered separately to the chair)

TCSH2	<input type="checkbox"/> Comfort Curve Cushion (Stretch-Air cover)	£60
	<input type="checkbox"/> ROHO® Single Compartment (Fits seat widths 14" to 19") Profile: <input type="checkbox"/> Low <input type="checkbox"/> Mid <input type="checkbox"/> High	£510
	<input type="checkbox"/> ROHO® QUADTRO SELECT® Cushion (Fits seat widths 14" to 19") Profile: <input type="checkbox"/> Low <input type="checkbox"/> Mid <input type="checkbox"/> High	£530
	<input type="checkbox"/> ROHO® Hybrid Select (Fits seat widths 14" to 18", and 20")	£635
	ROHO Agility Min Contour Backrest...(other backrest options available on request)	£515

## CUSTOM CONFIGURATION OPTIONS

### FRONT WHEELS

TFW24	<input type="checkbox"/> 3"x1.5" LiteSpeed Billet Aluminum Wheel w/Soft Roll Tire <input type="checkbox"/> Silver Hub <b>OR</b> <input type="checkbox"/> Black Hub	£130
TFW14	<input type="checkbox"/> 4"x.75" Plastic Wheel w/Poly Tire (Not available with Slipstream Fork, Glide™ Single-Sided Fork or Power Adaptable Frame.)	NCO
TFW3	<input type="checkbox"/> 4"x.75" Light-Up Micro-Caster (Not available with Slipstream Fork, Glide™ Single-Sided Fork or Power Adaptable Frame.)	£60
TFW26	<input type="checkbox"/> 4"x1.5" LiteSpeed Plastic Wheel w/Soft Roll Tire (Not available with Power Assist, Power Add-on System or Heavy Duty Frame.)	£70
TFW27	<input type="checkbox"/> 4"x1.5" LiteSpeed Billet Aluminum Wheel w/Soft Roll Tire <input type="checkbox"/> Silver Hub <b>OR</b> <input type="checkbox"/> Black Hub	£137
TFW6	<input type="checkbox"/> 5"x1" Plastic Wheel w/Poly Tire (Not available with 90° Front Angle L, Slipstream Fork, Glide™ Single-Sided Fork or Power Adaptable Frame.)	NCO
TFW28	<input type="checkbox"/> 5"x1.5" LiteSpeed Plastic Wheel w/Soft Roll Tire (Not available with 90° Front Angle L or Power Adaptable Frame.)	£70
TFW30	<input type="checkbox"/> 5"x1.5" LiteSpeed Billet Aluminum Wheel w/Soft Roll Tire <input type="checkbox"/> Silver Hub <b>OR</b> <input type="checkbox"/> Black Hub (Not available with 90° Front Angle L.)	£152
TFW9	<input type="checkbox"/> 6"x1" Plastic Wheel w/Poly Tire (Not available with 85° or 90° Front Angle L, Slipstream Fork, Glide™ Single-Sided Fork or Power Adaptable Frame.)	NCO
TFW32	<input type="checkbox"/> 6"x1.5" LiteSpeed Plastic Wheel w/Soft Roll Tire (Not available with 85° or 90° Front Angle L, Slipstream Fork, Glide™ Single-Sided Fork or Power Adaptable Frame.)	£75
TFW33	<input type="checkbox"/> 6"x1.5" LiteSpeed Billet Aluminum Wheel w/Soft Roll Tire <input type="checkbox"/> Silver Hub <b>OR</b> <input type="checkbox"/> Black Hub (Not available with 85° or 90° Front Angle L, Slipstream Fork, Glide™ Single-Sided Fork.)	£160

### PRECISION LOCK FRONT FORKS

TFK1	<input type="checkbox"/> TiLite Standard Fork	STD
TFK2	<input type="checkbox"/> TiLite Slipstream Single-Sided Fork (Not available with Power Adaptable Frame.)	£145
TGL1	<input type="checkbox"/> Out-Front Glide™ Suspension Fork (Black anodize only.)	£358
	Rider's Weight: <input type="checkbox"/> 125 lbs. <input type="checkbox"/> 125-180 lbs. <input type="checkbox"/> 180-265 lbs.	
TTFS1	<input type="checkbox"/> Titanium Fork Stem	£40

### STANDARD REAR WHEELS (See Rear Seat Height Ranges Chart for Rear Seat Height D limitations.)

TRW14	TiLite SHADOW™	STD
	<input type="checkbox"/> 20"(451)	
	<input type="checkbox"/> 22"(501)	
	<input type="checkbox"/> 24"(540)	
	<input type="checkbox"/> 25"(559) (Requires 15" minimum Seat Depth B.)	
	<input type="checkbox"/> 26"(590) (Requires 15" minimum Seat Depth B.)	

### PERFORMANCE REAR WHEELS (See Rear Seat Height Ranges Chart for Rear Seat Height D limitations.)

TRW7	Spinergy SPOX <input type="checkbox"/> Black <input type="checkbox"/> Red <input type="checkbox"/> Yellow <input type="checkbox"/> Blue <input type="checkbox"/> White	£431
	<input type="checkbox"/> 22"(501) - Std. Hub	
	<input type="checkbox"/> 24"(540) - Std. Hub	
	<input type="checkbox"/> 25"(559) - Std. Hub (Requires 15" minimum Seat Depth B.)	
	<input type="checkbox"/> 26"(590) - <b>Std. Hub</b> (Requires 15" minimum Seat Depth B.)	
TRW8	Spinergy LX <input type="checkbox"/> Black <input type="checkbox"/> Red <input type="checkbox"/> Blue <input type="checkbox"/> White <input type="checkbox"/> Bright Orange <input type="checkbox"/> Flamingo Pink	£628
	<input type="checkbox"/> 22"(501) - Std. Hub	
	<input type="checkbox"/> 24"(540) - Std. Hub	
	<input type="checkbox"/> 25"(559) - Std. Hub (Requires 15" minimum Seat Depth B.)	
	<input type="checkbox"/> 26"(590) - <b>Std. Hub</b> (Requires 15" minimum Seat Depth B.)	
	<input type="checkbox"/> 25"(559) (Requires 15" minimum Seat Depth B.)	



# International TiLite T-Series Order Form

TRW9	New Spinerger Design Lab LX Wheels <i>(If same color is selected, anodized hubs and rims match color anodized package on page 1. Available with black spokes only.)</i> <input type="checkbox"/> Gold Anodize <input type="checkbox"/> Green Anodize <input type="checkbox"/> Blue Anodize <input type="checkbox"/> Red Anodize <input type="checkbox"/> Purple Anodize <input type="checkbox"/> Orange Anodize..... <b>£628</b> <input type="checkbox"/> 22"(501) - Std. Hub <input type="checkbox"/> 24"(540) - Std. Hub <input type="checkbox"/> 25"(559) - Std. Hub <i>(Requires 15" minimum Seat Depth B.)</i> <input type="checkbox"/> 26"(590) - Std. Hub <i>(Requires 15" minimum Seat Depth B.)</i>
TRW16	New Spinerger® Carbon Blade with 3k Carbon Fiber <i>(Not available with Heavy Duty Frame.)</i> ..... <b>£953</b> <input type="checkbox"/> 24"(540) <input type="checkbox"/> 25"(559) <i>(Requires 15" minimum Seat Depth B.)</i>
TRW17	X-Core Mag <i>(Not available with Heavy Duty Frame, Short Tabs, Quad Release Axles, Spoke Guards or Omit Handrims Option. Requires Aluminum Silver Anodized Handrims.)</i> ..... <b>£82</b> <input type="checkbox"/> 20"(451) <input type="checkbox"/> 22"(501) <input type="checkbox"/> 24"(540)

**AXLES**

TAXL1	<input type="checkbox"/> Stainless Quick Release.....	<b>STD</b>
TAXL2	<input type="checkbox"/> Titanium Quick Release.....	<b>£186</b>
TAXL3	<input type="checkbox"/> Quad Release <i>(Not available with Mag or 26"(590) Spinerger Spox or LX Rear Wheels.)</i> .....	<b>£115</b>

**PNEUMATIC REAR TIRES**

TRTR1	<input type="checkbox"/> Treaded <i>(Not available with 25"(559) or 20" (451) Rear Wheels.)</i> .....	<b>STD</b>
TRTR2	<input type="checkbox"/> Airless Inserts <i>(Not available with Spinerger Carbon Blade Rear Wheels.)</i> .....	<b>£70</b>
<b>TRTR31</b>	<input type="checkbox"/> <b>New MBL SpeedLite 20"(451), 22"(501), 24"(540), 25"(559) and 26"(590)</b> .....	<b>STD</b>
TRTR30	<input type="checkbox"/> 24"(540), 25"(559) and 26"(590) Primo Sentinel.....	<b>£97</b>
TRTR8	<input type="checkbox"/> 24"(540), 25"(559) and 26"(590) Schwalbe® Marathon Plus Evolution.....	<b>£78</b>
TRTR9	<input type="checkbox"/> 24"(540) and 25"(559) Schwalbe® Slick.....	<b>£78</b>
TRTR24	<input type="checkbox"/> 24"(540) Kenda Kobra Knobby.....	<b>£60</b>

**SOLID REAR TIRES** *(Not available with Spinerger Carbon Blade Rear Wheels.)*

TRTR22	<input type="checkbox"/> 20"(451), 22"(501), 24"(540) and 25"(559) Primo Express.....	<b>£82</b>
TRTR23	<input type="checkbox"/> 24"(540) and 25"(559) Primo Active.....	<b>£100</b>

**HANDRIMS**

**Handrims by OUT-FRONT®**

TRIM1	<input type="checkbox"/> Aluminum – Silver Anodized.....	<b>STD</b>
TRIM21	<input type="checkbox"/> Aluminum – Black Anodized <i>(Not available with 20"(451) Rear Wheels.)</i> .....	<b>£40</b>
TRIM12	<input type="checkbox"/> Titanium – Satin Finish <i>(Not available with 20"(451) or 22"(501) Rear Wheels, or 24"(540) Knobby tires.)</i> .....	<b>£339</b>
TRIM10	<input type="checkbox"/> The Surge (All-In-One Oval with Gription™ Strip, Larger Profile) <i>(Not available with 20"(451) Rear Wheels.)</i> .....	<b>£272</b>
TRIM11	<input type="checkbox"/> The Surge LT (All-In-One Oval with Gription™ Strip, Smaller Profile) <i>(Not available with 20"(451) Rear Wheels.)</i> .....	<b>£294</b>
TRIM20	<input type="checkbox"/> Q-Grip (Exclusive High-Friction, Anti-Slip Coating) <i>(Not available with 20"(451) Rear Wheels.)</i> .....	<b>£249</b>
<b>The Natural-Fit® (Original, Larger Profile)</b> <i>(Not available with 20"(451) Rear Wheels.)</i>		
TRIM14	<input type="checkbox"/> Standard Grip <i>(Not available with Short Tabs or Spinerger Carbon Blade Rear Wheels.)</i> .....	<b>£264</b>
TRIM15	<input type="checkbox"/> Super Grip <i>(Not available with Short Tabs or Spinerger Carbon Blade Rear Wheels.)</i> .....	<b>£298</b>
TRIM16	<input type="checkbox"/> Without Thumb Grip.....	<b>£246</b>
<b>The Natural-Fit® LT (Reduced Weight, Smaller Profile)</b> <i>(Not available with 20"(451) Rear Wheels.)</i>		
TRIM17	<input type="checkbox"/> Standard Grip <i>(Not available with Short Tabs or Spinerger Carbon Blade Rear Wheels.)</i> .....	<b>£286</b>
TRIM18	<input type="checkbox"/> Super Grip <i>(Not available with Short Tabs or Spinerger Carbon Blade Rear Wheels.)</i> .....	<b>£324</b>
TRIM19	<input type="checkbox"/> Without Thumb Grip.....	<b>£268</b>

**Additional Handrim Options**

TRIM5	<input type="checkbox"/> Plastic Coated – Black.....	<b>£97</b>
TRIM22	<input type="checkbox"/> Omit Handrims.....	<b>NCO</b>

**Tab Length**

TRIM7	<input type="checkbox"/> Long Tabs.....	<b>STD</b>
TRIM8	<input type="checkbox"/> Short Tabs <i>(Not available with Mag Rear Wheels or The Natural-Fit® Handrims with Thumb Grip.)</i> .....	<b>£15</b>

**WHEEL LOCKS**

**Wheel Locks by OUT-FRONT®**

TWLK7	<input type="checkbox"/> Compact Composite Push to Lock <i>(Available with .75" to 1.5" Rear Wheel Spacing ) only.)</i> .....	<b>NCO</b>
TWLK8	<input type="checkbox"/> Compact Composite Pull to Lock <i>(Available with .75" to 1.5" Rear Wheel Spacing ) only.)</i> .....	<b>NCO</b>
TWLK10	<input type="checkbox"/> Extension Handles for Compact Composite Push/Pull to Lock.....	<b>£67</b>

**Additional Wheel Locks**

<b>TWLK11</b>	<input type="checkbox"/> <b>New MBL Composite Scissor Lock</b> .....	<b>£108</b>
TWLK3	Uni-Lock Set At: <input type="checkbox"/> Push <b>OR</b> <input type="checkbox"/> Pull.....	<b>£122</b>
TWLK4	<input type="checkbox"/> Extension Handles for Uni-Lock.....	<b>£67</b>
TWLK15	<input type="checkbox"/> Grade Aids Push to Lock <i>(Not available with solid rear tires.)</i> .....	<b>£134</b>

# International TiLite T-Series Order Form

## CUSTOM CONFIGURATION OPTIONS

### SIDE GUARDS

#### Aluminum

TSDG2	<input type="checkbox"/> Rigid Removable	<input type="checkbox"/> Small	<b>OR</b>	<input type="checkbox"/> Std.	£145
TSDG3	<input type="checkbox"/> Quad Removable w/Hole	<input type="checkbox"/> Small	<b>OR</b>	<input type="checkbox"/> Std.	£152
TSDG4	<input type="checkbox"/> Fold Down Rigid	<input type="checkbox"/> Small	<b>OR</b>	<input type="checkbox"/> Std. (Not available with Ergonomic Seat.)	£249
TSDG6	<input type="checkbox"/> Fendered Adjustable (Available with 24" and 25" Rear Wheels. Requires Rear Seat Height D of 14.5" to 18.5").				£249

#### New 3k Weave Carbon Fiber

TSDG7	<input type="checkbox"/> Rigid Removable	<input type="checkbox"/> Small	<b>OR</b>	<input type="checkbox"/> Std.	£227
TSDG8	<input type="checkbox"/> Quad Removable w/Hole	<input type="checkbox"/> Small	<b>OR</b>	<input type="checkbox"/> Std.	£234
TSDG9	<input type="checkbox"/> Fold Down Rigid	<input type="checkbox"/> Small	<b>OR</b>	<input type="checkbox"/> Std. (Not available with Ergonomic Seat or Carbon Edition.)	£339
TSDG11	<input type="checkbox"/> Fendered Adjustable (Available with 24" and 25" Rear Wheels. Requires Rear Seat Height D of 14.5" to 18.5").				£335
TSDG12	<input type="checkbox"/> Fendered Removable				£335

#### Available on Aluminum and Carbon Fiber Non-Fendered Side Guards

TSDG13	<input type="checkbox"/> Side Guards Custom Cut to Profile of Rear Wheels				£231
--------	---	--	--	--	------

### ARMRESTS (Desk Arms come with built-in Side Guards.)

TARM1	Swing Away Tubular	<input type="checkbox"/> 6.5" to 9.5"	<b>OR</b>	<input type="checkbox"/> 9.5" to 12.5" (Not Available with Non-Folding, Fixed Height Titanium Seat Back or Height Adjustable Push Handles.)	£160
TARM4	<input type="checkbox"/> Swing Away - Flip Back Tubular	8.5" to 11.5" (Not Available with Non-Folding, Fixed Height Titanium Seat Back.)			£231
TARM2	Removable Height Adjustable Desk Arm with Rigid Side Guard (Requires 14" minimum Seat Depth B. Not available with Ergonomic Seat.)				£249
		<input type="checkbox"/> 9" to 12" <b>OR</b> <input type="checkbox"/> 12" to 15"			
		<input type="checkbox"/> Standard Length Pad (10") <b>OR</b> <input type="checkbox"/> Full Length Pad (14")			
TARM3	Removable Height Adjustable Desk Arm with Rigid Side Guard and Transfer Loop (Requires 15" minimum Seat Depth B. Not Available with Ergonomic Seat.)				£272
		<input type="checkbox"/> 9" to 12" <b>OR</b> <input type="checkbox"/> 12" to 15"			
		<input type="checkbox"/> Standard Length Pad (10") <b>OR</b> <input type="checkbox"/> Full Length Pad (14")			

#### Available Armrest Option

TARM5	<input type="checkbox"/> Covered in Black Ultrasuede (Not available with Desk Arms)				£82
-------	---	--	--	--	-----

### SEAT BELTS

TBLT1	<input type="checkbox"/> Velcro Adjustable, Black Nylon Webbing		£33
TBLT2	<input type="checkbox"/> Bodypoint® 2" Push-Button Buckle (Auto-Style.)		£75
TBLT4	<input type="checkbox"/> Bodypoint® 1" Wide Push-Button Buckle Padded (Auto-Style.) (Not available with 19" or 20" Rear Seat Widths A.)		£137
TBLT5	<input type="checkbox"/> Bodypoint® 1.5" Wide Push-Button Buckle Padded (Auto-Style.) (Not available with 19" or 20" Rear Seat Widths A.)		£130
TBLT10	<input type="checkbox"/> Bodypoint® Optional Band Clamp Mounting Hardware		£15
TBLT16	<input type="checkbox"/> Bodypoint® EvoFlex® Pelvic Stabilizer Push Button		£142

### CALF STRAP

TCLF2	Velcro Adjustable		£26
	<input type="checkbox"/> Small (Recommended for 9" - 12" Footrest Widths.)		
	<input type="checkbox"/> Medium (Recommended for 11" - 15" Footrest Widths.)		
	<input type="checkbox"/> Large (Recommended for 14" - 17" Footrest Widths.)		
	<input type="checkbox"/> Xtra Large (Recommended for 16" - 19" Footrest Widths.)		
TCLF3	Bodypoint® Padded Velcro Adjustable		£78
	<input type="checkbox"/> Medium (Recommended for 11" - 15" Footrest Widths.)		
	<input type="checkbox"/> Large (Recommended for 16" - 19" Footrest Widths.)		
TCLF1	<input type="checkbox"/> Buckle Adjustable, Black Nylon Webbing		£18

### BACKPACK

TBCK3	<input type="checkbox"/> Black Permobil Backpack		£70
-------	--	--	-----

### SEAT POUCH

TPCH3	<input type="checkbox"/> Black Permobil Seat Pouch		£40
TPCH4	<input type="checkbox"/> Bodypoint® Mobility Bag		£78

### SPOKE GUARDS

TGRD1	<input type="checkbox"/> Clear Lexan with TiMotion Logo (Not available with Mag Rear Wheels.)		£97
-------	---	--	-----

### ANTI-TIPS

TTIP1	<input type="checkbox"/> Rear Aluminum - Black		£119
TTIP7	<input type="checkbox"/> Black Aluminum Single		£55
	Mount on <input type="checkbox"/> Left Side or <input type="checkbox"/> Right Side		NCO
TTIP2	<input type="checkbox"/> User Friendly Flip-up (Not available with Frog Legs® Rear Suspension.)		£249

# International TiLite T-Series Order Form

Effective January 7, 2022 (New Items in Red)

DUAL-TUBE RIGID FRAME

Page 8 of 8

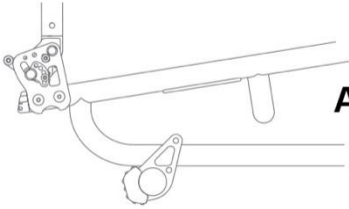
TTIP8	<input type="checkbox"/> User Friendly Flip-up Single.....	<b>£122</b>
	Mount on <input type="checkbox"/> Left Side or <input type="checkbox"/> Right Side.....	<b>NCO</b>

## ACCESSORIES

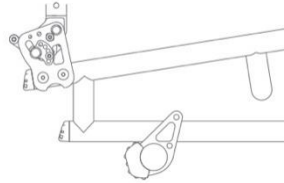
TUEST1	Upper Extremity Support Tray <input type="checkbox"/> 12" to 14" <b>OR</b> <input type="checkbox"/> 13" to 15" Seat Widths A (Requires Armrests.).....	<b>£212</b>
TLUG1	<input type="checkbox"/> Luggage Carriers.....	<b>£108</b>
TMPCT2	Neoprene Impact Guards with Ultrasuede Stripe <input type="checkbox"/> Black.....	<b>£78</b>
TCH1	<input type="checkbox"/> Crutch Holder.....	<b>£108</b>

## FRAME NOTES

The rear frame for a TR will be square when the Center of Gravity H measurement is less than 3.5". Aero T and TRA will always be a Rounded Rear Frame.



**A. Round rear frame**



**B. Square rear frame**

## GENERAL

More options and frame modifications may be available through our Creative Mobility Division! Please contact customer service for details or [click here](#) to view options.

Permobil manufactures TiLite manual wheelchairs in a wide variety of configurations to meet the varied needs of wheelchair users. The final selection of a particular model, its options and accessories, and its measurements rests solely with the wheelchair user and advising healthcare professional. These wheelchairs must be fitted by a qualified healthcare professional. HCPCS Codes are for reference purposes only. Actual coding and coverage varies by payer. Proper HCPCS coding is not a guarantee of payment. Please verify the appropriate payer's coverage policy.

**Get the latest order forms at permobilus.com.** Prices, standard features, options and accessories are subject to change without notice. All rights reserved. Trademarks are identified by symbols™ and ®. TiLite, TiFit, the TiLite logo, Ti, the Ti logo, and TiShaft are registered trademarks of TiSport, LLC and are licensed to Permobil. Permobil® is a registered trademark of Permobil. Adobe®, Acrobat®, Acrobat Professional® and Reader® are registered trademarks of Adobe Systems Inc. Bodypoint® is a registered trademark of Bodypoint Inc. Kenda® is a registered trademark of Kenda Rubber Industrial Co. Ltd. ROHO®, AGILITY®, Low Profile® and Quadro Select® are registered trademarks of ROHO Inc. Schwalbe® is a registered trademark of Ralf Bohle GmbH. The Natural-Fit® and Out-Front® are registered trademarks of Three Rivers Holdings, LLC. The ACTA-BACK®, ACTA-EMBRACE™, COMFORT-TEK™, COMPASS®, CURVE®, ELEMENTS®, and STRETCH AIR™ are registered trademarks of THE COMFORT COMPANY® and are licensed to Permobil. Q'Straint® is a registered trademark of Q'Straint Inc.

## NOTES

**QUOTE THIS CHAIR**

If you are using Adobe Acrobat, this order form may be converted into a quote request or into an order by clicking one of the buttons (this feature is available exclusively to Permobil dealers and distributors). A Quote or an Order Confirmation will be sent to you within 24 hours.

**ORDER THIS CHAIR**